

113900 to 113999

Illustrated Parts List

Model Series

113900 to 113999

Compliance Non-Compliance

TYPE NUMBERS
3107, 3121, 3130,
3132, 3133, 3138.

TYPE NUMBERS
0505
0515 through 0517,
0521, 0522, 0551, 0552, 0607,
0617 through 0625,
0630 through 0674,
5902, 5903, 5904,
5905, 5911, 5912.

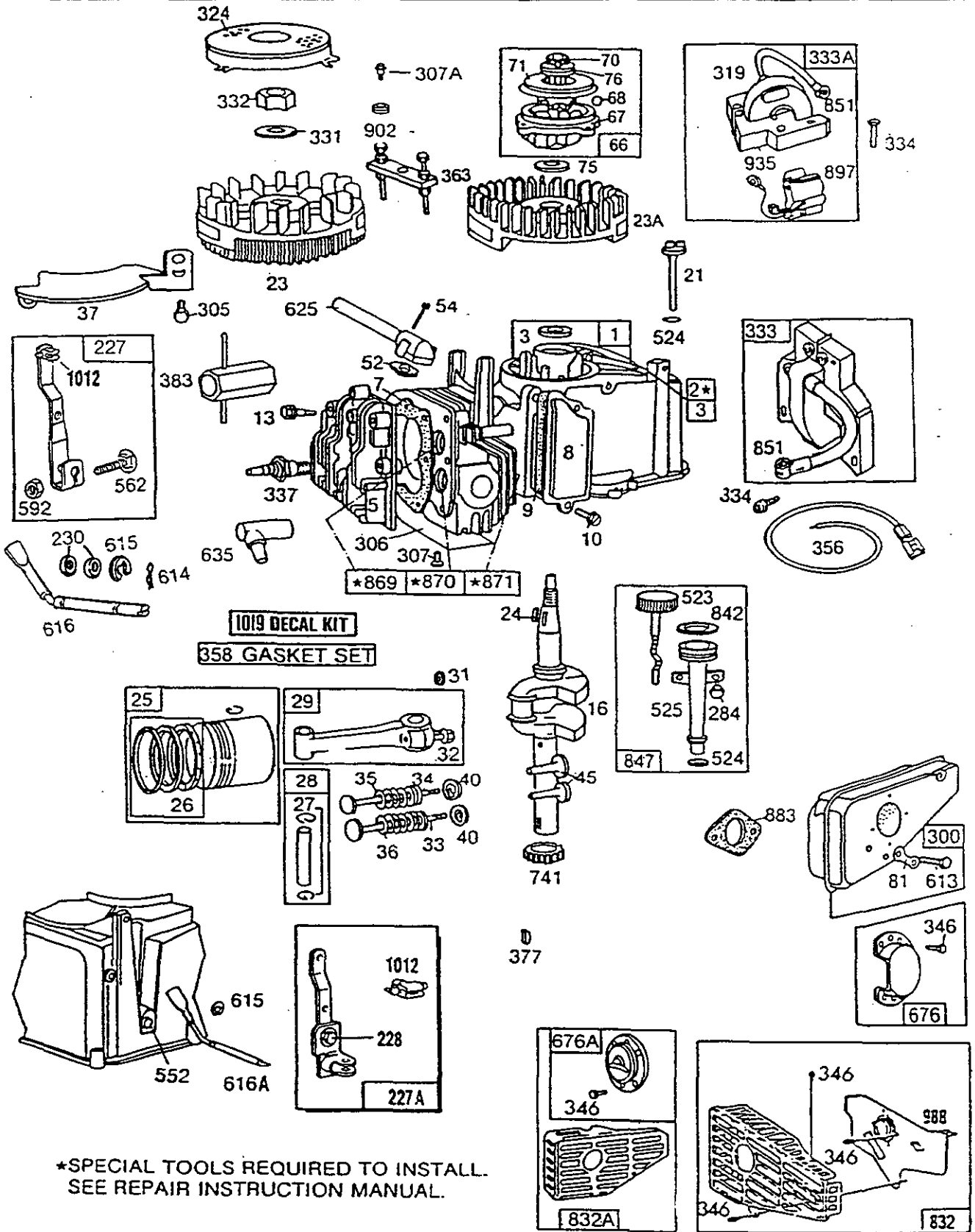
TO FIND THE CORRECT NUMBER OF THE PART YOU NEED: FOLLOW THE INSTRUCTIONS BELOW

- A. Refer to Engine Model, Type and Code Number that is stamped on the blower housing of engine. Engine type numbers such as 012301 are listed herein only as 0123. The two digits (01 or 02, etc.) to the right of the space are not needed for parts identification. Then use the Illustrated Parts List covering the Model Series.
- B. Refer to Illustrated Parts section and compare the old part with illustration. The number on the illustration is the Reference Number. Assemblies include all parts shown in frames. All parts shown in assembly frames on which individual reference numbers are given can be purchased separately.
- C. After the Reference Number has been identified, refer to the Numerical Parts List, where Reference and Master Part Number are listed. **THE MASTER PART IS USED ON ALL TYPE NUMBERS EXCEPT THOSE TYPE NUMBERS UNDER "NOTE."**
- D. If a "Note" appears below the Master Part Number, this means that this part differs from the Master Part for certain types. If the Type number is listed under "Note," order the part referred to.
- E. If the Engine Type Number does not appear after any part number listed under "Note," use the Master Part Number.
- F. For Type Numbers higher than those covered by this book, please refer to the factory if you are unable to identify the part by comparison.



BRIGGS & STRATTON®

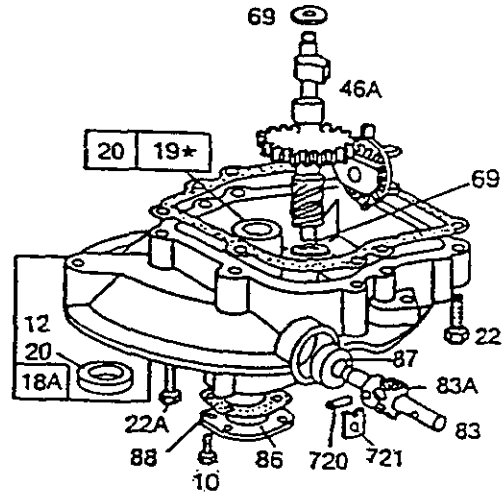
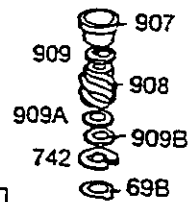
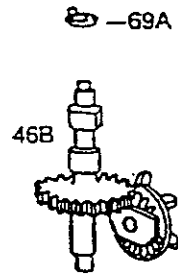
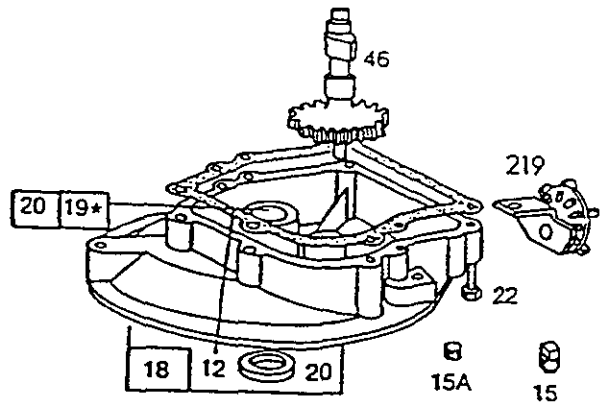
113900 to 113999



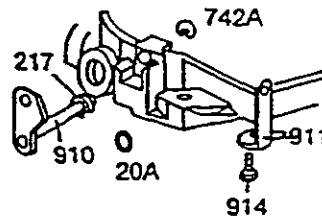
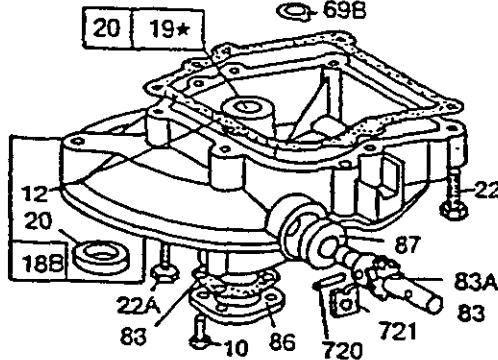
*SPECIAL TOOLS REQUIRED TO INSTALL.
SEE REPAIR INSTRUCTION MANUAL.

★REQUIRES SPECIAL TOOLS TO INSTALL.
SEE REPAIR INSTRUCTION MANUAL.

Sump assemblies illustrated on this page do NOT include an oil filter opening.

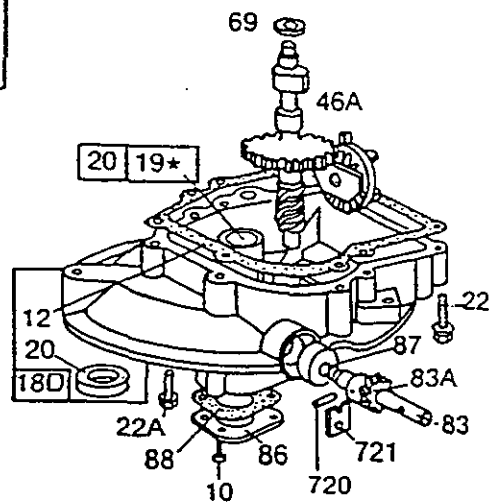
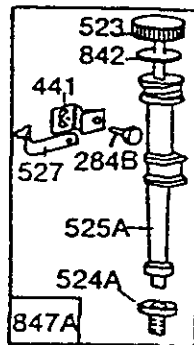
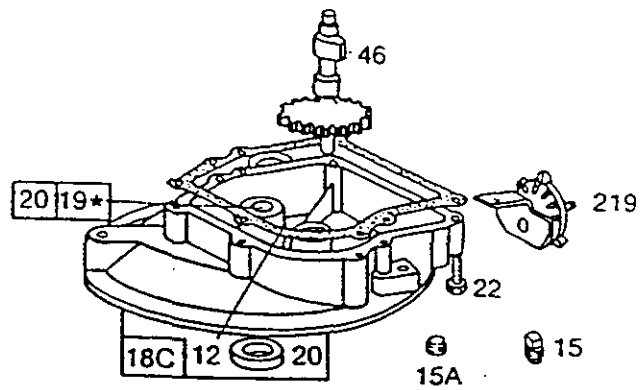


998 POWER TRAC KIT

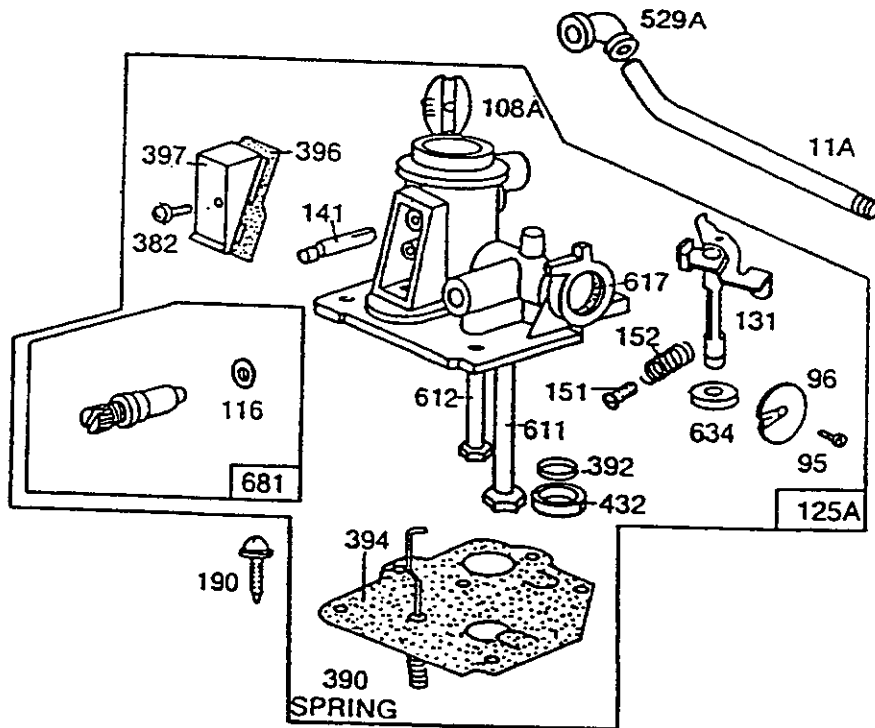
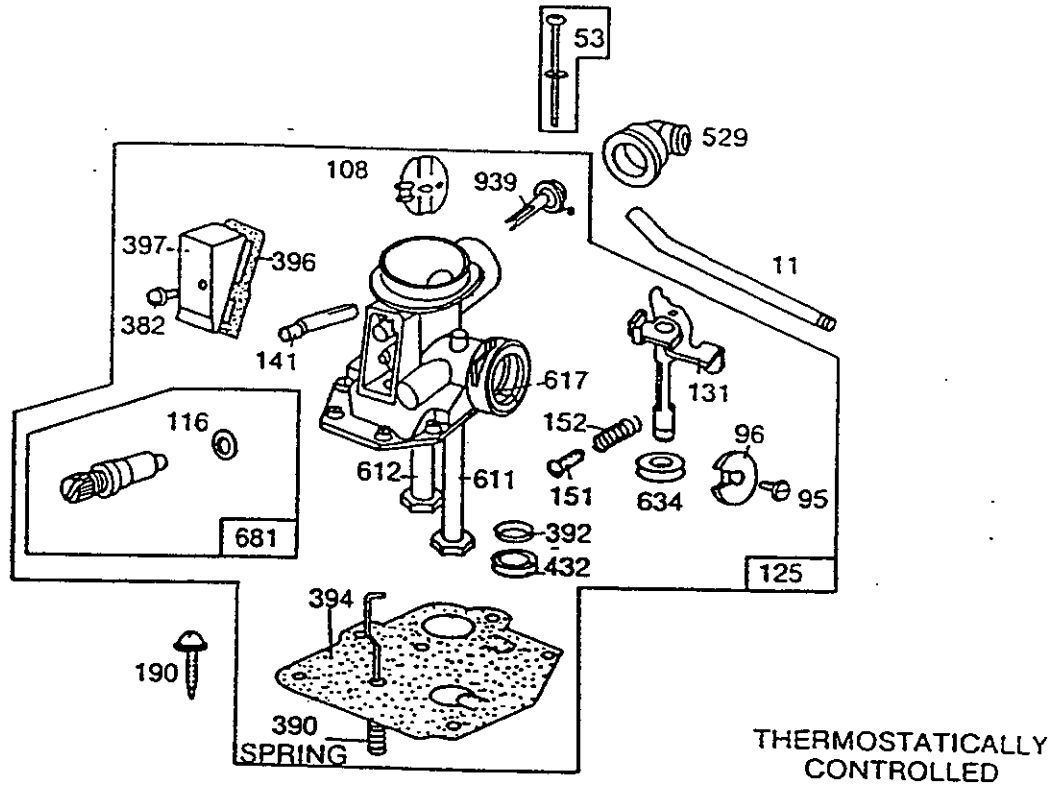


113900 to 113999

Sump assemblies illustrated on this page include an oil filler opening.

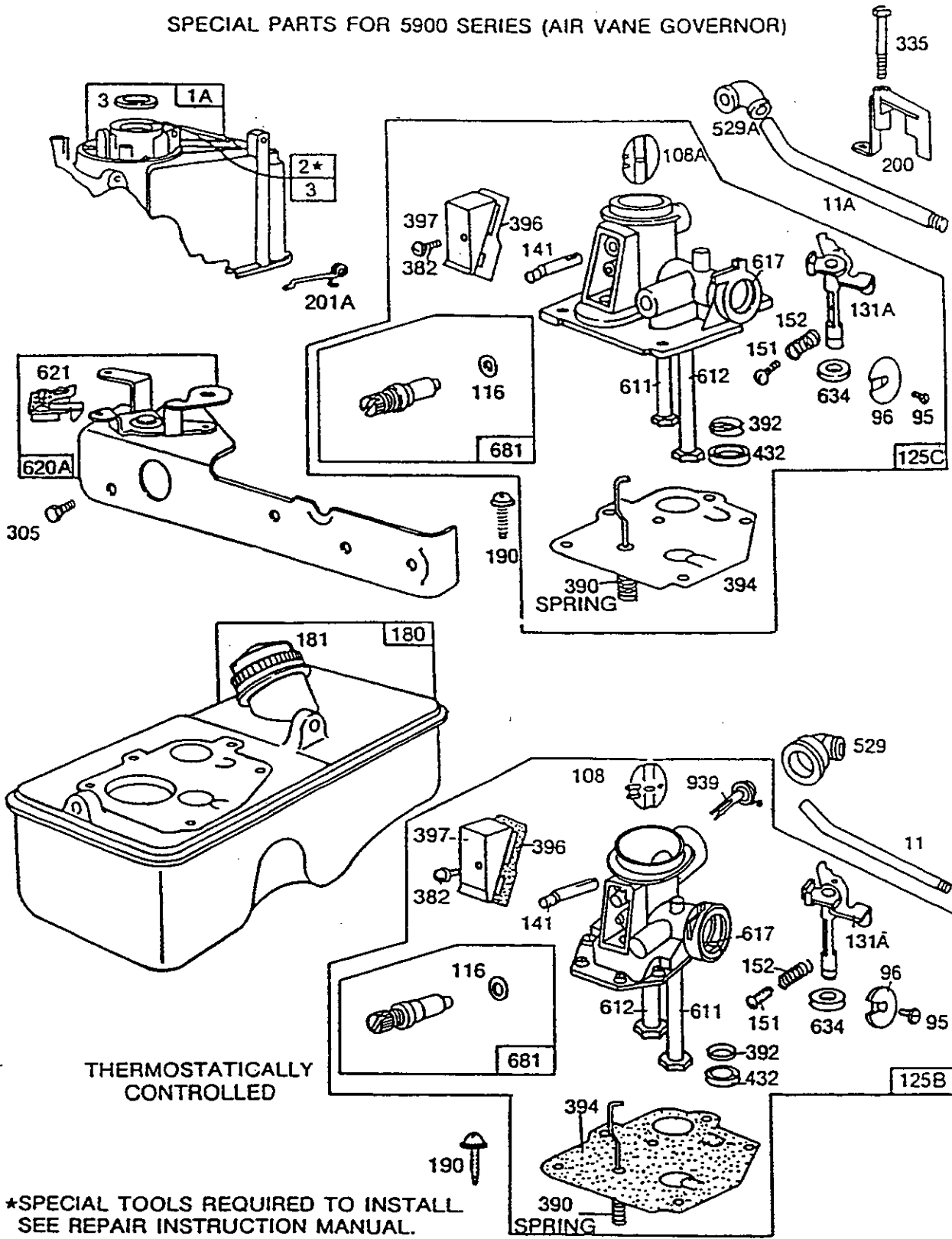


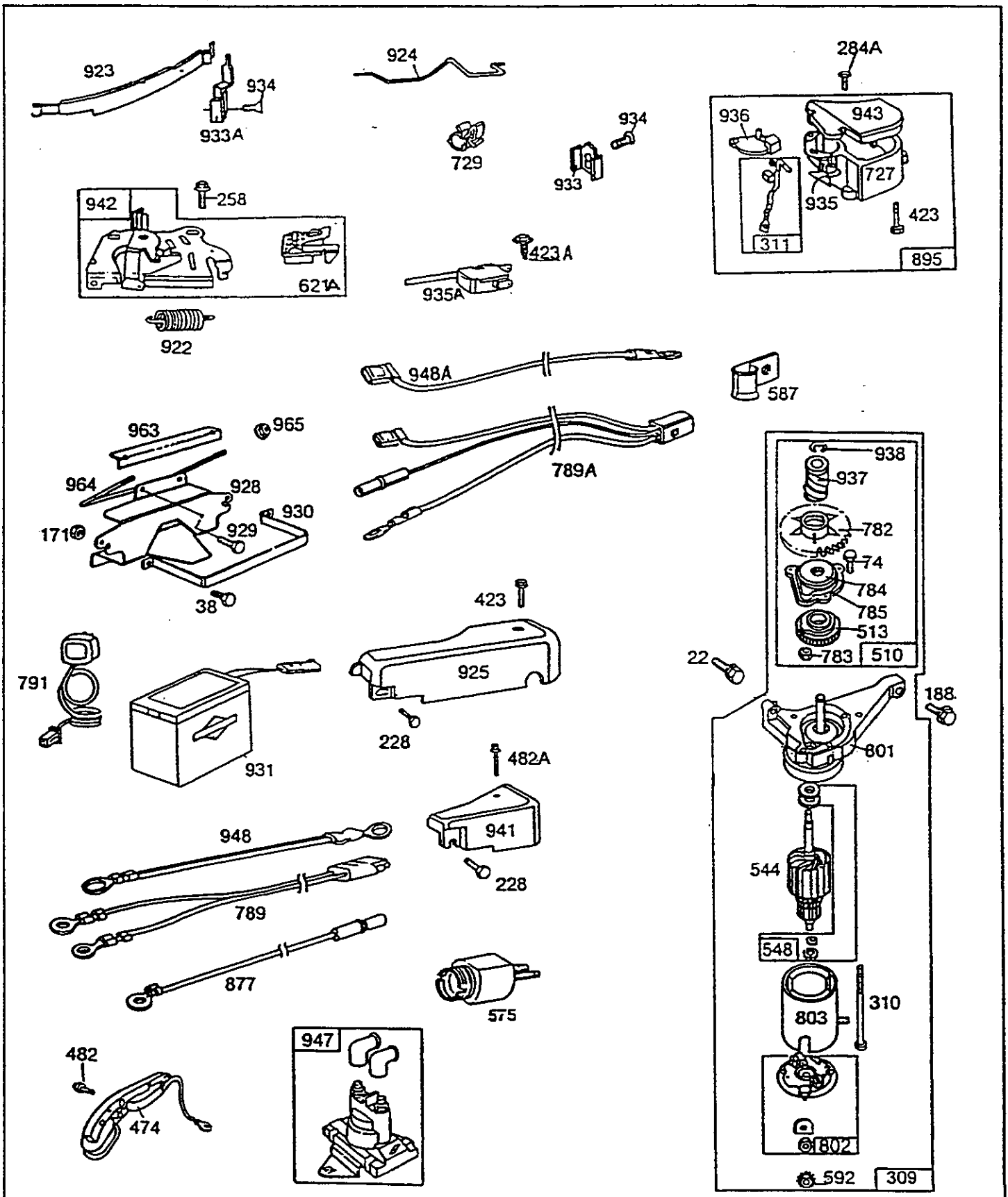
*SPECIAL TOOLS REQUIRED TO INSTALL.
SEE REPAIR INSTRUCTION MANUAL.



113900 to 113999

SPECIAL PARTS FOR 5900 SERIES (AIR VANE GOVERNOR)



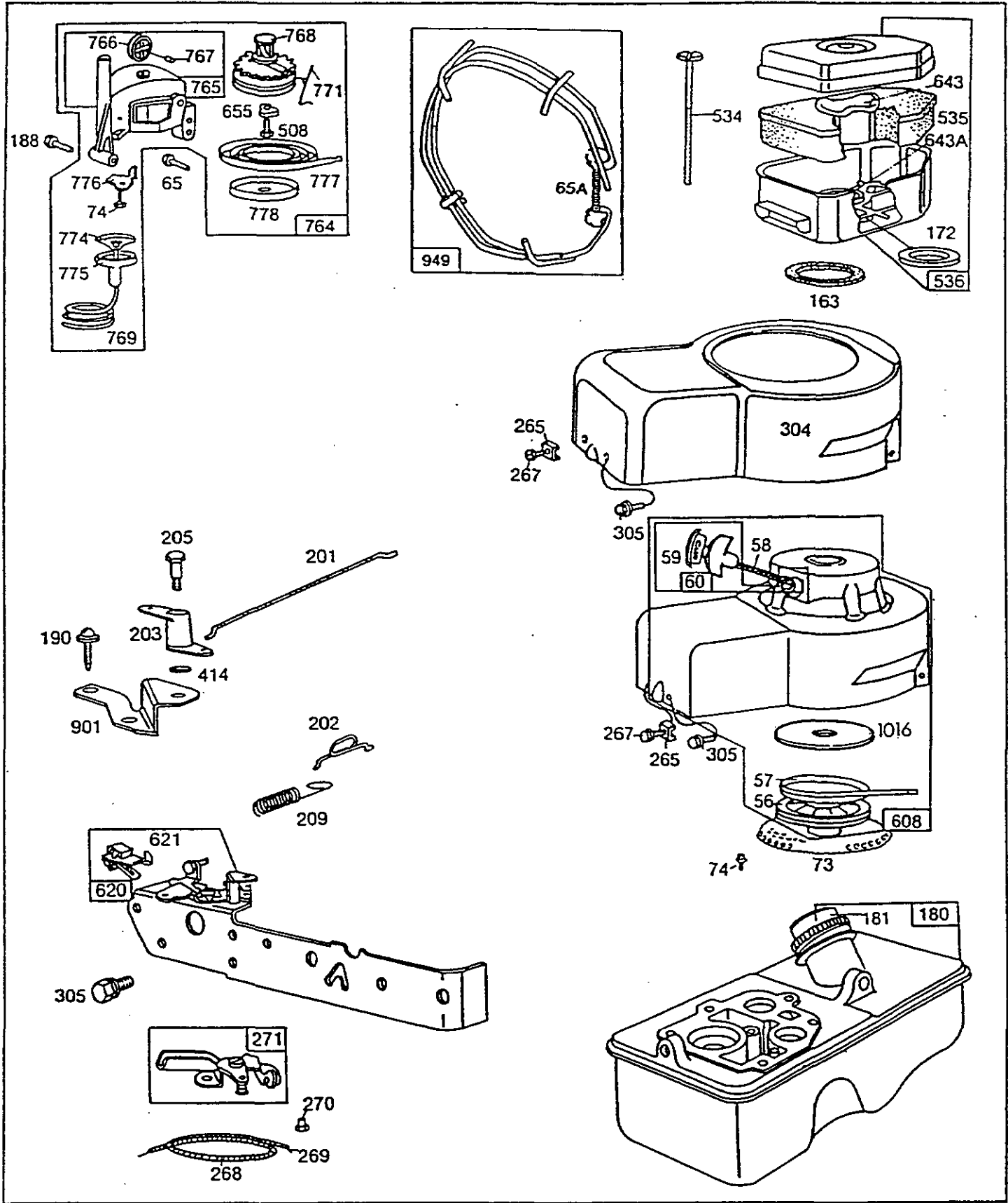


8172-7

Assemblies include all parts shown in frames.

80

113900 to 113999



113900 to 113999

REF. NO.	PART NO.	DESCRIPTION	REF. NO.	PART NO.	DESCRIPTION	REF. NO.	PART NO.	DESCRIPTION
29	391640	Rod Assembly—Connecting	65	93587	Screw—Vertical Pull Starter Mounting	125	396336	Carburetor Assembly
	Note:	For Connecting Rod with .020" undersize Crankpin Bearing—Order No. 393710.	65A	94124	Screw—Guard Retaining	125A	394739	Carburetor Assembly
31	222282	Washer—Connecting Rod Screw (One for Each Screw)	66	399671	Clutch Assembly—Rewind Starter	125B	395957	Carburetor Assembly
32	94405	Screw—Connecting Rod	67	394897	Housing—Starter Clutch	125C	394065	Carburetor Assembly
33	212004	Valve—Exhaust	68	63770	Ball—Clutch	131	394035	Shaft and Lever—Throttle
34	261233	Valve—Intake	69	66874	Washer—Thrust (Used between Cam Gear and Cylinder)	131A	299977	Shaft and Lever—Throttle
35	260552	Spring—Intake Valve		Note:	68938 Washer—Thrust (Used between Cam Gear and Engine Base)	141	68908	Shaft—Choke
36	26478	Spring—Exhaust Valve	69A	223011	Washer—Clip	151	93524	Screw—Rd. Hd.—5-40 x 1/2
37	223150	Guard—Flywheel	69B	223228	Washer—Thrust	152	260746	Spring—Throttle Adj.
38	93777	Screw—Sem	70	298799	Ratchet—Rewind Starter	163	271139	Gasket—Air Cleaner Mounting
40	93312	Retainer—Valve Spring	71	394506	Washer—Clutch Retainer (Rubber Coated)	171	93203	Nut—Hex
45	261250	Tappet—Valve		Note:	221653 Washer—Clutch Retainer (Non-Coated)	172	271273	Gasket—Air Cleaner
46	395856	Gear—Cam	73	221661	Screen—Rewind Starter	180	391694	Tank Assembly—Fuel
46A	396052	Cam Gear, Worm and Oil Slinger Assembly (Clockwise)	74	† 93490	Screw—Sem	181	391494	Cap—Fuel Tank
	Note:	391389 Cam Gear, Worm and Oil Slinger Assembly (Clockwise) Used On Type No. 5904.	75	220865	Washer—Flywheel		Note:	394818 Cap—Fuel Tank Used On Type Nos. 0668, 0674.
		396064 Cam Gear, Worm and Oil Slinger Assembly (Counterclockwise) Used on Type Nos. 0521, 0551, 0624, 0633, 0634, 0635, 0636, 0640, 0641, 0643, 0660, 0665, 3132, 3133, 3138.	76	68238	Washer—Ratchet Sealing	188	94102	Screw—Fuel Tank and Starter Mounting
46B	396378	Cam Gear—Oil Slinger Assembly (For Clutch)	81	223256	Lock—Muffler Screw	190	93440	Screw—Fuel Tank Mtg.
52	* 270844	Gasket—Intake Elbow	83	230831	Shaft—Drive	200	68388	Blade—Governor
53	391982	Screw and Washer Set		Note:	230948 Shaft—Drive Used on Type No. 0639.	201	261918	Link—Governor (Used After Code Date 82101804.)
54	93485	Screw—Intake Elbow Mounting			230952 Shaft—Drive Used on Type Nos. 0632, 0660.		Note:	261539 Link—Governor (Used Before Code Date 82101904.)
56	280439	Pulley—Rewind Starter	83A	231278	Gear—Drive	201A	261027	Link—Governor
57	490179	Spring—Rewind Starter		Note:	231279 Gear—Drive Used on Type Nos. 0521, 0551, 0624, 0633, 0634, 0635, 0636, 0637, 0638, 0640, 0641, 0643, 0646, 0660, 0661, 0663, 0665, 3132, 3133, 3138.	202	261897	Link—Throttle
58	66734	Rope—Rewind Starter—48-5/8" long	86	221780	Cover—Sump	203	280272	Crank—Bell
	Note:	If longer rope is needed, order No. 280399 and cut to required length.	87	391484	Seal—Oil	205	231520	Screw—Shoulder (Used After Code Date 86112300.)
59	396892	Insert—Starter Rope	88	* 270328	Gasket—Sump Cover		Note:	93838 Screw—Shoulder (Used Before Code Date 86112400.)
60	393152	Grip—Starter Rope	95	93499	Screw—Throttle Valve Mounting Sem	209	261618	Spring—Governor
			96	211237	Valve—Throttle		Note:	260877 Spring—Governor Used On Type No. 5904.
			108	280370	Valve—Choke			261105 Spring—Governor Used on Type Nos. 5902, 5903, 5905.
			108A	280178	Valve—Choke			
			116	280203	O-Ring			

* Included in Gasket Set—Part No. 391662

† Included in Starter Drive Kit—Part No. 395727

113900 to 113999

REF. NO.	PART NO.	DESCRIPTION	REF. NO.	PART NO.	DESCRIPTION	REF. NO.	PART NO.	DESCRIPTION
		261106 Spring—Governor Used on Type Nos. 5911, 5912.			Note: If longer wire is needed, specify length in inches; if shorter wire is needed order No. 26099 and cut to required length.			395509 Housing—Blower Used on Type Nos. 0515, 0516, 0517, 0551, 0552.
		261642 Spring—Governor Used on Type Nos. 0505, 0515, 0516, 0517, 0521, 0522, 0551, 0552, 0633, 0634, 0635, 0636, 0639, 0640, 0641, 0642, 0645, 0647, 0648, 0651, 0652, 0654, 0655, 0657, 0659, 0660, 0663, 0665, 0666, 0667, 0668, 0671, 3133.	270	63426	Locknut—Control Wire Casing			396412 Housing—Blower Used on Type Nos. 0505, 0521, 0522.
		261644 Spring—Governor Used on Type Nos. 0643, 0644, 0662, 0670, 3132, 3138.	271	290568	Lever Assy.—Control			305 94153 Screw—Sem
			284	94073	Screw—Clamp Mtg.	306	223263	Shield—Cylinder
			284A	93892	Screw—Hex. Hd.	307	93490	Screw—Cylinder Shield Mounting Sem
			284B	93572	Screw—Clamp Mtg.	307A	93926	Screw—Shoulder
			300	394644	Muffler—Exhaust		Note:	93758 Screw—Shoulder Used on Type Nos. 5902, 5903, 5904, 5911, 5912.
					Note: 395600 Muffler—Exhaust (Gasket Included) Used on Type Nos. 0638, 0646, 0655, 0661.			
			304		Housing—Blower For Type Numbers not listed below, see Ref. No. 608 .	309	397863	Motor—Starter (12 Volt) (White Insulator)
					Note: 223204 Housing—Blower (For Electric Starter) Used on Model 113907, 113987 Series Also on Type No. 0657.		Note:	395852 Motor—Starter (6 Volt) (Black Insulator)
217	261520	Spring—Return (Clutch Lever)			223287 Housing—Blower (For Vert. Pull Starter) Used on Type Nos. 0617, 0618, 0619, 0620, 0622, 0624, 0632, 0633, 0634, 0635, 0636, 0637, 0638, 0639, 0640, 0641, 0642, 0643, 0644, 0645, 0646, 0647, 0648, 0649, 0650, 0654, 0655, 0656, 0662, 0663, 0665, 0666, 0667, 0668, 0669, 0670, 0671, 0672, 0673, 0674, 5902, 5903, 5904, 5905, 5911, 5912.	310	94051	Bolt—Starter Motor
219	394044	Oil Slinger Assy.				311	395728	Brush Kit—Starter Motor
227	491482	Lever Assy.—Governor (Used After Code Date 88011000.)					Note:	396537 Brush Kit—Starter Motor Used on Type No. 3132.
227A	396504	Lever Assy.—Governor (Used Before Code Date 88011100 And After Code Date 82101804.)				319	395488	Armature Assembly (Less Trigger Coil)
		Note: 491481 Lever Assy.—Governor (Used Before Code Date 82101904.)				324	223006	Screen—Rotating
						331	223047	Washer—Flywheel
						332	92284	Nut—Flywheel
						333	397316	Armature—Magneto
						333A	395489	Armature Group
						334	93381	Screw—Armature Mounting Sem
228	93758	Screw—Hex. Hd.				335	93435	Screw—Armature and Governor Blade Mounting Sem
230	220680	Washer—Governor Crank				337	298809	Plug—Spark (1-1/2" High, 37-42 mm.)
258	94018	Screw—Hex. Hd.					Note:	293918 Plug—Spark (1-1/2" High, 37 mm.) (Resistor Type)
265	22372	Clamp—Casing						492167)Plug—Spark (1-7/8" High, 48 mm.)
267	93469	Screw—Clamp Mtg.						802592)Plug—Spark (1-7/8" High, 48 mm.) (Resistor Type)
268	66986	Casing—Control Wire—48" long						
		Note: If longer casing is needed, specify length in inches; if a shorter casing is needed order No. 66986 and cut to required length.				346	93705	Screw—Hex. Hd.
269	26099	Wire Control, 54" long						

113900 to 113999

REF. NO.	PART NO.	DESCRIPTION	REF. NO.	PART NO.	DESCRIPTION	REF. NO.	PART NO.	DESCRIPTION
356	398808	Wire—Ground		Note:	396058 Armature—Starter (For 6 Volt Motor)		Note:	391503 Control Bracket Assy.—Carburetor (Manual Friction) Used on Type Nos. 5902, 5903, 5904, 5905.
358	391662	Gasket Set						
363	19069	Puller—Flywheel (Optional Accessory)	548	396067	Washer Set—Starter Motor	621	396847	Switch—Stop (Used After Code Date 84030100.)
377	93065	Key—Woodruff No. 6	552	230732	Bushing—Governor Shaft		Note:	297472 Switch—Stop (Used Before Code Date 84030200.)
382	93545	Screw—Choke Link Cover	562	92613	Bolt—Carriage	621A	396847	Switch—Stop (Used After Code Date 85032700.)
383	89838	Wrench—Spark Plug	575	396291	Switch—Ignition		Note:	297472 Switch—Stop (Used Before Code Date 84030200.)
390	261249	Spring—Diaphragm	587	220162	Clip—Shield Grounding	621A	396847	Switch—Stop (Used After Code Date 85032700.)
392	260455	Spring—Fuel Pump Diaphragm	592	93991	Nut—Hex.—10-24		Note:	297472 Switch—Stop (Used Before Code Date 85032800.)
394	391643	Diaphragm—Carburetor	592A	231082	Nut—Hex.	625	391377	Tube—Fuel Intake
396	270571	Gasket—Choke Link Cover	608	397459	Starter Assy.—Rewind (12 o'clock)	634	270167	Washer—Throttle Shaft (Felt)
397	211678	Cover—Choke Link		Note:	397502 Starter Assy.—Rewind (3 o'clock) Used on Type Nos. 0658, 0659, 0660.	635	66538	Elbow—Spark Plug
414	223932	Washer (Used After Code Date 86112300.)			397697 Starter Assy.—Rewind (6 o'clock) Used on Type Nos. 0661, 3138.	643	280374	Cup—Air Cleaner
	Note:	220982 Washer (Used Before Code Date 86112400.)	611	297219	Pipe—Fuel (long)	643A	280342	Support—Air Cleaner Element
423	94026	Screw—Sem	612	296811	Pipe—Fuel (short)	655	222057	Anchor—Spring
423A	93758	Screw—Sem	613	93935	Screw—Muffler Mtg.	676	393756	Deflector—Muffler
432	221377	Cap—Spring	614	93306	Pin—Cotter	676A	396548	Deflector—Muffler
441	222530	Bracket—Oil Fill Tube	615	93307	Retainer—E-Ring	681	395508	Needle Valve Kit
474	397880	Stator Assy.—Alternator	616	491405	Crank—Governor (Used After Code Date 88011000.)	720	93474	Pin—Gear to Shaft
482	94016	Screw—Hex. Hd.	616A	394075	Crank—Governor (Used Before Code Date 88011100.)	721	221779	Stop—Drive Shaft
482A	93621	Screw—Sem	617	270344	Seal—Fuel Intake Tube	727	280336	Cover Base—Electric Starter
508	93158	Screw—Sem	620	394642	Plate—Carburetor Control (Remote Control)	729	280470	Clip Wire
510	395727	Drive Kit—Starter		Note:	394882 Plate—Carburetor Control (Manual Friction) Used on Type Nos. 0505, 0515, 0516, 0517, 0521, 0522, 0551, 0552, 0648, 0654, 0655, 0656, 0667, 0668, 0669, 0674.	741	261533	Gear—Timing
513	† 394815	Clutch Assembly—Electric Starter	620A	391442	Control Bracket Assy.—Carburetor (Remote Control)	742	93525	Ring—Retaining
523	396372	Cap with Dipstick—Oil Filler				742A	93925	Ring—Retaining (Clutch Lever)
524	271485	Seal—Filler Tube				764	391486	Starter Assembly—Vertical Pull (48-5/8" Rope)
524A	68838	Seal—Filler Tube					Note:	395874 Starter Assy.—Vert. Pull (For Band Brake)
525	280578	Tube—Oil Filler (Used After Code Date 85073100.)				765	299947	Housing—Vertical Pull Starter
	Note:	280382 Tube—Oil Filler (Used Before Code Date 85080100.)					Note:	395914 Housing—Vert. Pull Starter (For Band Brake)
525A	280131	Tube—Oil Filler				766	280022	Pulley—Rope (Small)
527	222548	Clamp—Oil Filler Tube				767	231048	Pin—Small Rope Pulley (7/16" long)
529	280368	Grommet—Breather						
529A	67838	Grommet—Breather						
534	93865	Screw—Air Cleaner						
535	270848	Element—Air Cleaner						
536	394738	Cleaner Assy.—Air						
544	398636	Armature—Starter (For 12 Volt Motor)						

† Included in Starter Drive Kit—Part No. 395727

113900 to 113999

REF. NO.	PART NO.	DESCRIPTION	REF. NO.	PART NO.	DESCRIPTION	REF. NO.	PART NO.	DESCRIPTION
768	395870	Pulley and Gear Assembly—Starter	842	270920	Seal—Oil Filler Cap			Note: 261940 Link—Starter Switch
769	66734	Rope—Vertical & Side Pull Starter (48-5/8")	847	399030	Tube Assy.—Oil Fill (Used After Code Date 85073100.)			Used on Type No. 3132.
	280406	Rope—Vertical Pull Starter (81") (For Engines with Band Brake)			Note: 395869 Tube Assy.—Oil Fill (Used Before Code Date 85080100.)	925	280363	Cover—Linkage
	Note:	If longer rope is needed, order No. 280399 and cut to required length.	847A	392055	Tube Assy.—Oil Fill	928	223162	Bracket—Battery
771	299961	Clip—Vertical Pull Starter	851	221798	Terminal—Ignition Cable	929	93980	Screw—Sem
774	280121	Insert—Starter Handle	869	211172	Seat—Intake Valve (Standard) (Used After Code Date 88073100.)	930	223161	Bracket Support—Battery
775	280036	Grip—Starter Rope			Note: 210879 Seat—Intake Valve (Used Before Code Date 88080100.)	931	395559	Battery (6 Volt)
776	222049	Guide—Rope				933	223278	Spacer
777	390066	Spring—Vertical Pull Starter				933A	223448	Pivot—Band Brake
778	280021	Cover—Vertical Pull Starter Pulley	870	211291	Seat—Exhaust Valve (Standard)	934	94037	Screw—Spacer Mounting
782	† 280038	Gear—Electric Starter Spur			Note: For installation and options, see Repair Manual.	935	223128	Terminal—Switch
783	† 261606	Gear—Electric Starter Pinion	871	262001	Guide—Exhaust Valve	935A	398758	Switch Group
784	† 223123	Cover—Electric Starter Clutch Gear			Note: 63709 Guide—Intake Valve See Repair Manual	936	280338	Actuator—Switch
785	† 271457	Gasket—Electric Starter Clutch Gear Cover	877	396485	Wire Assembly (Alternator to Solenoid)	937	† 280366	Spline—Starter
789	395624	Wiring Harness Assy.—Mower (4-1/2" long) (6 Volt)	883	270774	Gasket—Exhaust Pipe	938	† 93941	Ring—Retainer
	Note:	396392 Wiring Harness Assembly—Mower (14" long—for Remote Mounting) (6 Volt)	895	394767	Switch Group	939	395665	Shaft Assembly—Choke
789A	397637	Harness Assy.—Wiring (12 Volt)	897	394970	Trigger Coil	941	280395	Cover—Linkage
791	395569	Charger—Battery (120 volt)	901	490818	Bracket—Bell Crank	942	493239	Bracket Assembly—Lever and (Non Band Brake)
	Note:	395585 Charger—Battery (240 volt) 493357 Adapter—Charger (For Use With 493359 Battery)	902	280271	Grommet—Screen			Note: 224331 Control Plate—Starter Used with Solenoid (Non Band Brake) 493248 Bracket Assy.—Lever and (For Band Brake)
801	395851	Motor Output End Cover and Mounting Bracket	906	261650	Spring—Torsion	943	280322	Cover Top—Electric Starter
802	396061	Cap Assembly—End	907	394871	Sleeve Assy.—Clutch	947	396483	Solenoid
803	396059	Housing—Starter	908	231220	Gear—Worm	948	396261	Wire Assembly (8" long)
832	396313	Guard—Muffler			Note: 231219 Gear—Worm (Counterclockwise) Used on Type Nos. 0637, 0638, 0646, 0661, 0663.	948A	397803	Wire Assembly (12 Volt)
832A	399637	Guard—Muffler	909	271417	Washer—Thrust	949	396579	Guard—Rewind Starter
			909A	271418	Washer—Thrust	963	223502	Strap
			909B	271312	Washer—Thrust	964	94107	Bolt-U
			910	394051	Lever Assy.—Clutch	965	94108	Nut
			911	223009	Control Bracket—Clutch	988	223600	Bracket—Muffler
			914	93970	Screw—Bracket Mtg.	1012	280414	Retainer—Link
			922	261647	Spring—Return	1016	490817	Spacer
			923	394867	Brake Assembly—Band	1019	491082	Label Kit
			924	261881	Link—Starter Switch			

† Included in Starter Drive Kit—Part No. 395727

