

113900 to 113999

Illustrated Parts List

Model Series

113900 to 113999

Non-Compliance

TYPE NUMBERS
2999

TO FIND

THE CORRECT NUMBER OF THE PART YOU NEED:

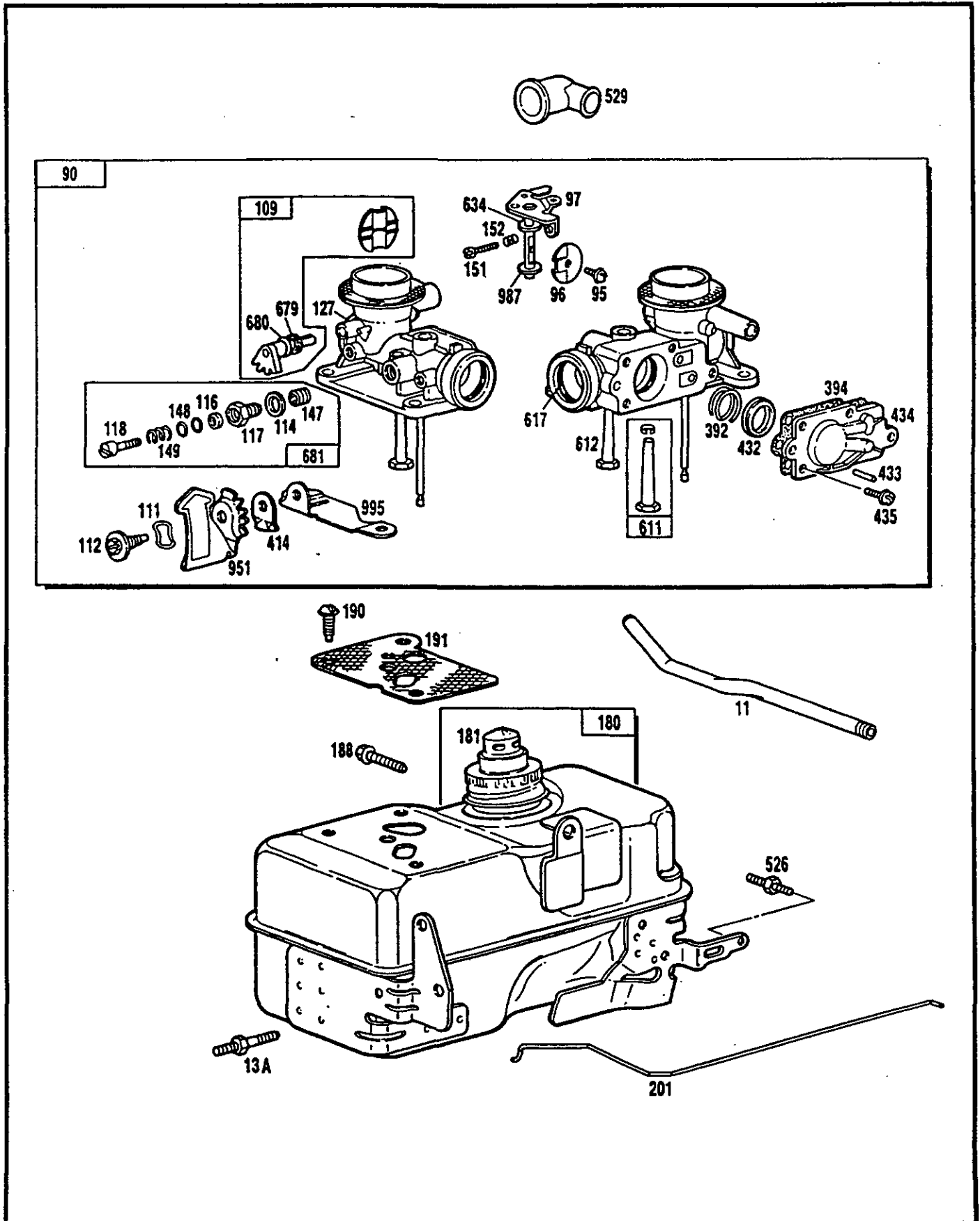
FOLLOW THE INSTRUCTIONS BELOW

- A. Refer to Engine Model, Type and Code Number that is stamped on the blower housing of engine. Engine type numbers such as 012301 are listed herein only as 0123. The two digits (01 or 02, etc.) to the right of the space are not needed for parts identification. Then use the Illustrated Parts List covering the Model Series.
- B. Refer to Illustrated Parts section and compare the old part with illustration. The number on the illustration is the Reference Number. Assemblies include all parts shown in frames. All parts shown in assembly frames on which individual reference numbers are given can be purchased separately.
- C. After the Reference Number has been identified, refer to the Numerical Parts List, where Reference and Master Part Number are listed. **THE MASTER PART IS USED ON ALL TYPE NUMBERS EXCEPT THOSE TYPE NUMBERS UNDER "NOTE"**.
- D. If a "Note" appears below the Master Part Number, this means that this part differs from the Master Part for certain types. If the Type number is listed under "Note", order the part referred to.
- E. If the Engine Type Number does not appear after any part number listed under "Note", use the Master Part Number.
- F. For Type Numbers higher than those covered by this book, please refer to the factory if you are unable to identify the part by comparison.

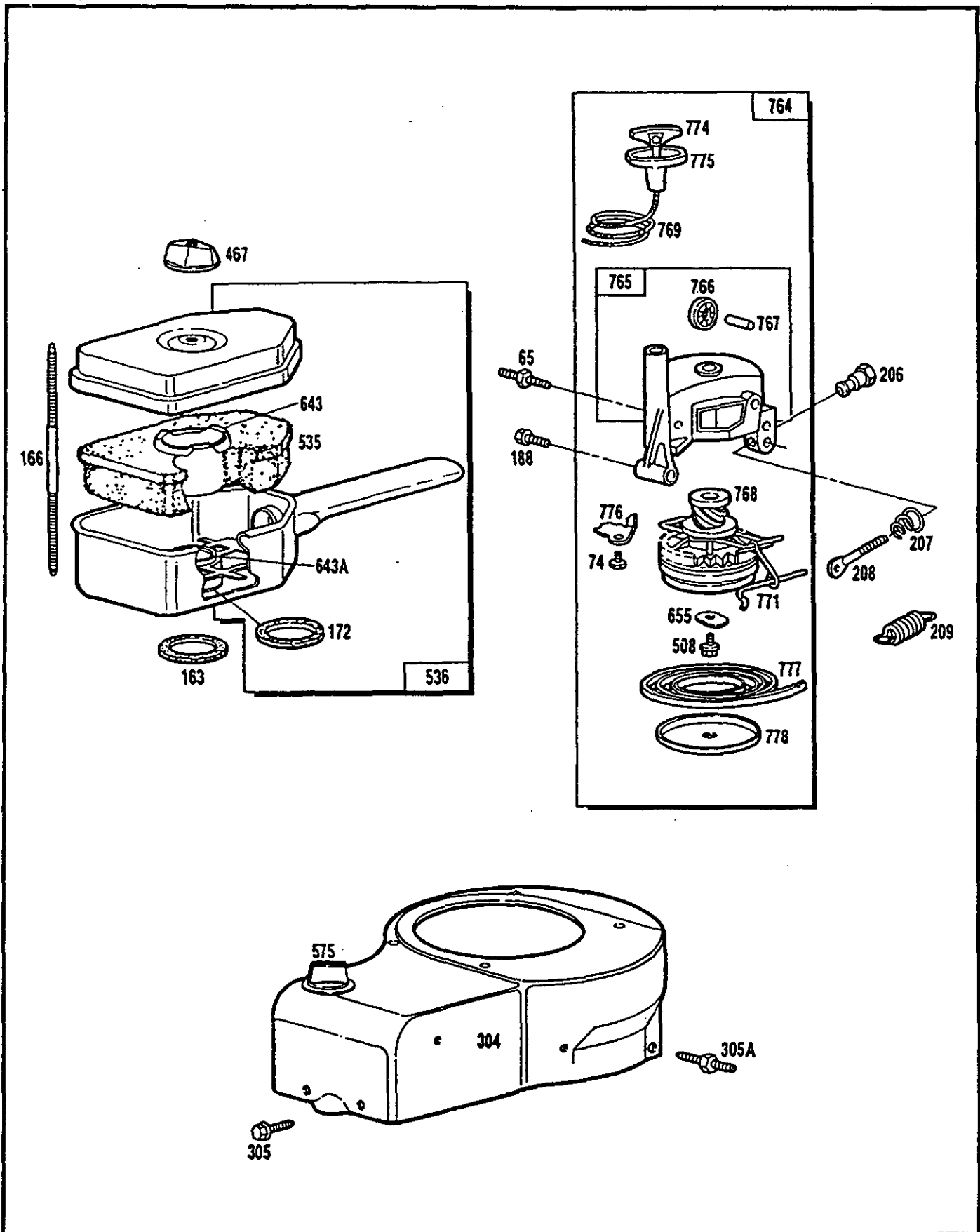
PRINTED IN U.S.A.

BRIGGS & STRATTON

COPYRIGHT ©



113900 to 113999



8857-3

Assemblies include all parts shown in frames.

129

REF. NO.	PART NO.	DESCRIPTION	REF. NO.	PART NO.	DESCRIPTION	REF. NO.	PART NO.	DESCRIPTION	
1	399167	Cylinder Assembly	28	391649	Pin Assembly—Piston—Standard	166	231405	Stud—Air Cleaner	
3	299819	Seal—Oil		394861	Pin Assembly—Piston—.005" O.S.	172	271273	Gasket—Air Cleaner	
5	213034	Head—Cylinder				180	399772	Tank Assembly—Fuel	
7	* 270836	Gasket—Cylinder Head	29	391640	Rod Assembly—Connecting	181	399226	Cap—Fuel Tank	
8	298383	Breather—Valve Chamber		Note:	For Connecting Rod with .020" undersize Crankpin Bearing—Order No. 393710.	188	94102	Screw—Fuel Tank and Starter Mounting	
9	* 270239	Gasket—Valve Cover				190	93440	Screw—Fuel Tank Mtg.	
10	93394	Screw—Breather Mounting Sem	31	222282	Washer—Connecting Rod Screw (One for Each Screw)	191	270073	Gasket—Fuel Tank Mounting (2)	
11	231437	Tube—Breather		32	94405	Screw—Connecting Rod	201	262100	Link—Governor
12	* 270833	Gasket—Crankcase—.015" thick (Standard)		33	212004	Valve—Exhaust	206	231266	Nut—Control Rod
	* 270895	Gasket—Crankcase—.005" thick		34	261233	Valve—Intake	207	262101	Spring—Control Rod
	* 270896	Gasket—Crankcase—.009" thick		35	260552	Spring—Intake Valve	208	262070	Rod—Control
13	93111	Screw—Cylinder Hd. (4) (1-15/16" long)		36	26478	Spring—Exhaust Valve	209	262242	Spring—Governor
13A	93772	Stud—Cylinder Hd. (4) Uses: 22963 Washer (2)		37	223150	Guard—Flywheel	219	394044	Oil Slinger Assembly
15	94174	Plug—Oil Drain		40	93312	Retainer—Valve Spring	227	491482	Lever and Clamp (Used After Code Date 87120700.)
16	399405	Crankshaft Note: To Replace Crankshaft Gear Pin, Order Part No. 230978.		45	261250	Tappet—Valve	227A	398379	Lever Assy.—Governor (Used Befor Code Date 87120800.)
18	399774	Sump—Engine		46	395856	Gear—Cam	228	93758	Screw—Hex. Hd.
19	293709	Bushing—Engine Sump Note: Requires Special Tools for Installation.		52	* 270844	Gasket—Intake Elbow	230	220680	Washer
20	391483	Seal—Oil		54	93485	Screw—Intake Elbow Mounting	284	94073	Screw—Clamp Mtg.
22	93032	Screw—Mtg. Sem		65	94145	Stud—Vertical Pull Starter Mounting Uses: 90832 Lockwasher	304	399764	Housing—Blower
23	394066	Flywheel—Magneto		74	93490	Screw—Sem	305	94153	Screw—Blower Housing Mounting Sem
24	222698	Key—Flywheel		90	399776	Carburetor Assembly	305A	94167	Stud—Blower Housing Uses: 90832 Lockwasher
25	391650	Piston Assy.—Standard		95	93499	Screw—Throttle Valve Mounting Sem	306	223263	Shield—Cylinder
	391651	Piston Assy.—.010" O.S.		96	211237	Valve—Throttle	307	93490	Screw—Cylinder Shield Mounting Sem
	391652	Piston Assy.—.020" O.S.		97	398969	Shaft and Lever—Throttle	308	223557	Bracket—Head
	391653	Piston Assy.—.030" O.S.	109	399775	Shaft Assembly—Choke	331	223047	Washer—Flywheel	
			111	94060	Washer—Spring	332	92284	Nut—Flywheel	
			112	94164	Screw—Choke Lever	333	399769	Armature—Magneto	
			114	66594	Gasket—Needle Valve Nut	334	93381	Screw—Armature Mounting Sem	
			116	65978	Packing—Needle Valve	337	293918	Plug—Spark (1-1/2" high—37 mm. Resistor Type)	
			116A	280674	O-Ring	356	398874	Wire—Ground	
			117	230590	Nut—Needle Valve	358	391662	Gasket Set	
			118	23433	Valve—Needle	363	19069	Puller—Flywheel (Optional Accessory)	
			127	22831	Plug—Welch	383	89838	Wrench—Spark Plug	
			147	230591	Seat—Needle Valve	392	260455	Spring—Fuel Pump Diaphragm	
			148	22235	Washer—Needle Valve	394	270026	Diaphragm—Carburetor	
			149	26336	Spring—Needle Valve	414	223731	Spacer—Choke Lever	
			151	93527	Screw—Rd. Hd.	432	221377	Cap—Spring	
			152	260575	Spring—Throttle Adj.	433	93265	Pin—Diaphragm Cover	
			163	271139	Gasket—Air Cleaner Mounting				
PISTON RING SETS:									
		Note: For Chrome Piston Ring Set—standard size—Order Part No. 392330.							
26	391654	Ring Set—Standard Piston							
	391656	Ring Set—.010" O.S. Piston							
	391658	Ring Set—.020" O.S. Piston							
	391660	Ring Set—.030" O.S. Piston							
27	26026	Lock—Piston Pin							

* Included in Gasket Set—Part No. 391662

113900 to 113999

REF. NO.	PART NO.	DESCRIPTION	REF. NO.	PART NO.	DESCRIPTION	REF. NO.	PART NO.	DESCRIPTION
434	210595	Cover—Diaphragm	767	231048	Pin—Small Rope Pulley (7/16" long)			
435	93141	Screw—Diaphragm Cover	768	299948	Pulley and Gear Assembly—Starter			
467	212706	Knob—Air Cleaner	769	66734	Rope—Vertical and Side Pull Starter (48-5/8")			
508	93158	Screw—Sem	771	299961	Clip—Vertical Pull Starter			
523	396372	Cap with Dipstick—Oil Filler	774	280121	Insert—Starter Handle			
524	271485	Seal—Filler Tube	775	280036	Grip—Starter Rope			
525	280578	Tube—Oil Filler	776	222049	Guide—Rope			
526	94140	Stud—Tank Mtg. Uses: 93713 Lockwasher 22963 Washer (1)	777	390066	Spring—Vertical Pull Starter			
529	67838	Grommet—Breather	778	280021	Cover—Vertical Pull Starter Pulley			
535	270848	Element—Air Cleaner	842	270920	Seal—Oil Filler Cap			
536	399767	Cleaner Assembly—Air	847	399030	Tube Assy.—Oil Fill			
552	230732	Bushing—Governor Shaft	851	221798	Terminal—Ignition Cable			
562	92613	Bolt, Carriage	869	211172	Seat—Intake Valve (Standard) (Used After Code Date 88073100.)			
575	396691	Stop Switch—Rotary			Note: 210879 Seat—Intake Valve (Used Before Code Date 88080100.)			
592	231083	Nut, Hex.						
611	391813	Pipe—Fuel (short)						
612	296811	Pipe—Fuel (short)						
614	93306	Pin, Cotter						
615	93307	Retainer—E-Ring						
616	491405	Crank—Governor (Used After Code Date 88011000.)	870	211291	Seat—Exhaust Valve (Standard)			
616A	394075	Crank—Governor (Used Before Code Date 88011100.)			Note: For installation and options, see Repair Manual.			
617	280393	Seal—Fuel Intake Tube	871	231349	Guide—Exhaust Valve			
625	398972	Tube—Fuel Intake			Note: 63709 Guide—Intake Valve See Repair Manual.			
634	271853	Washer—Throttle Shaft	948	398995	Wire Assembly			
635	66538	Elbow—Spark Plug	951	223286	Lever—Choke			
		Note: 280849 Elbow—Spark Plug (Used On Low Oil Sensor)	980	399768	OIL GARD® Group Includes 280275 Tie—Cable			
643	280374	Cup—Air Cleaner	982	93868	Screw—Hex Head			
643A	280535	Support—Air Cleaner Element	984	223164	Retainer—Clip			
655	222057	Anchor—Spring	987	398970	Seal—Throttle Shaft			
679	270382	Washer—Choke Shaft (Felt)	995	223683	Bracket—Choke Lever			
680	221839	Washer—Choke Shaft	996	399777	Adaptor Group			
681	299060	Needle Valve Kit	1012	280414	Retainer, Link			
741	261533	Gear—Timing	1019	491082	Decal (Label) Kit			
764	399545	Starter Assembly—Vertical Pull (48-5/8" Rope)						
765	399766	Housing—Vertical Pull Starter						
766	280022	Pulley—Rope (Small)						



ORIGINAL

BRIGGS & STRATTON

**SERVICE
PARTS**

®