

**114700 to 114799**

# Illustrated Parts List

## Model Series

# 114700 to 114799 NON-COMPLIANCE

TYPE NUMBERS  
0100, 0120  
0130 through 0133

### TO FIND

**THE CORRECT NUMBER OF THE PART YOU NEED:**

**FOLLOW THE INSTRUCTIONS BELOW**

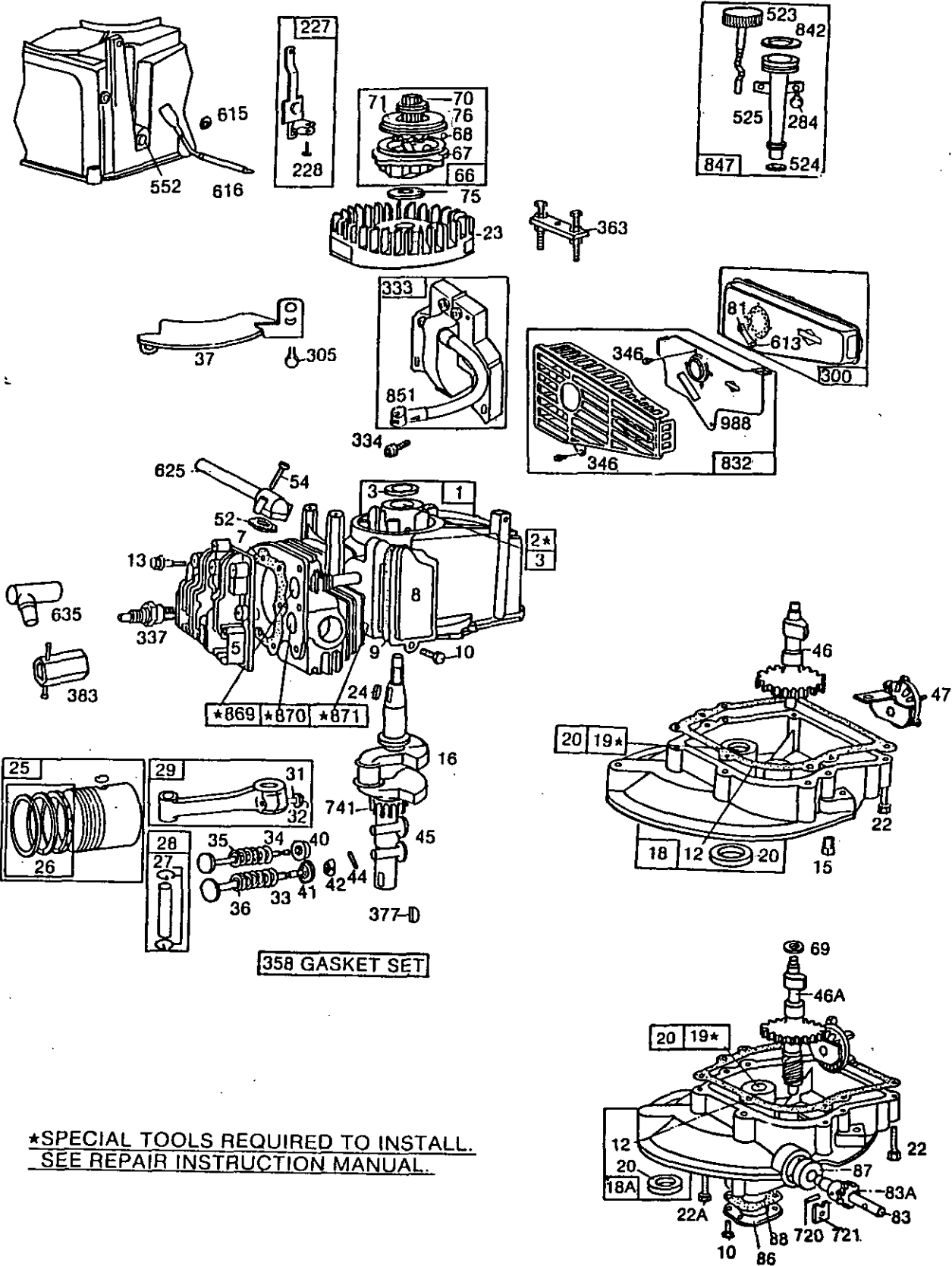
- A. Refer to Engine Model, Type and Code Number that is stamped on the blower housing of engine. Engine type numbers such as 012301 are listed herein only as 0123. The two digits (01 or 02, etc.) to the right of the space are not needed for parts identification. Then use the Illustrated Parts List covering the Model Series.
- B. Refer to Illustrated Parts section and compare the old part with illustration. The number on the illustration is the Reference Number. Assemblies include all parts shown in frames. All parts shown in assembly frames on which individual reference numbers are given can be purchased separately.
- C. After the Reference Number has been identified, refer to the Numerical Parts List, where Reference and Master Part Number are listed. **THE MASTER PART IS USED ON ALL TYPE NUMBERS EXCEPT THOSE TYPE NUMBERS UNDER "NOTE".**
- D. If a "Note" appears below the Master Part Number, this means that this part differs from the Master Part for certain types. If the Type number is listed under "Note", order the part referred to.
- E. If the Engine Type Number does not appear after any part number listed under "Note", use the Master Part Number.
- F. For Type Numbers higher than those covered by this book, please refer to the factory if you are unable to identify the part by comparison.

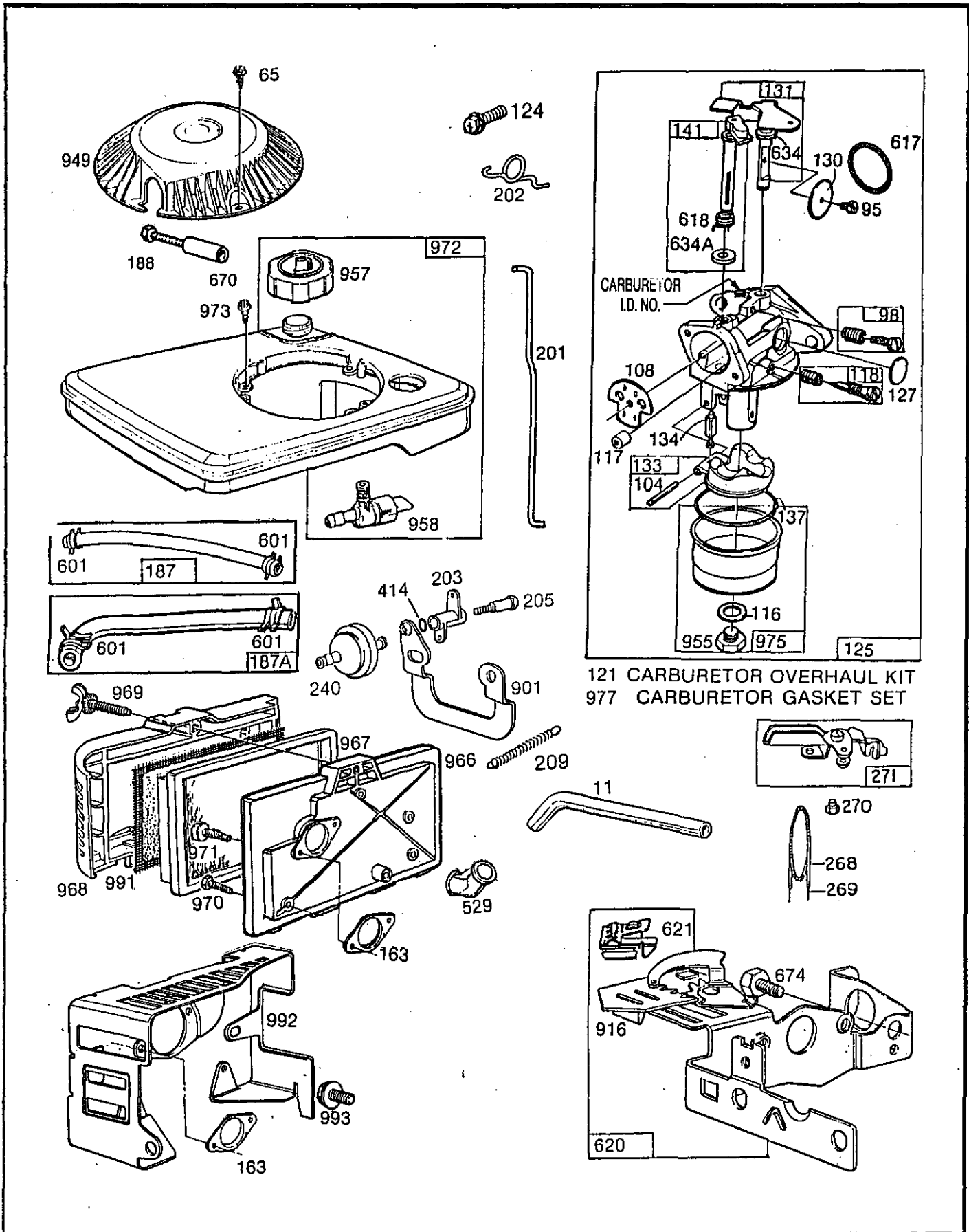
PRINTED IN U.S.A.



COPYRIGHT©

# 114700 to 114799





# 114700 to 114799

REF. NO.	PART NO.	DESCRIPTION	REF. NO.	PART NO.	DESCRIPTION	REF. NO.	PART NO.	DESCRIPTION
1	399124	Cylinder Assembly		396461	Ring Set—.020" O.S. Piston	66	394558	Clutch Assembly—Rewind Starter
2	231371	Bearing—Cylinder		396462	Ring Set—.030" O.S. Piston	67	394897	Housing—Starter Clutch
	<b>Note:</b>	Requires special tools for installation.				68	63770	Ball—Clutch
3	299819	Seal—Oil	27	26026	Lock—Piston Pin	69	66874	Washer—Thrust
5	212996	Head—Cylinder	28	391649	Pin Assembly—Piston—Standard		<b>Note:</b>	68938 Washer—Thrust Used on Auxiliary Drive P.T.O. Camshaft and is located next to the Worm Gear.
7	**270836	Gasket—Cylinder Head		394861	Pin Assembly—Piston—.005" O.S.			
8	298383	Breather—Valve Chamber	29	391640	Rod Assy.—Connecting	70	298436	Ratchet—Rewind Starter
9	270239	Gasket—Valve Cover		<b>Note:</b>	For Connecting Rod with .020" undersize Crankpin Bore—Order No. 393710.	71	221653	Washer—Clutch Retainer
10	93394	Screw—Breather and P.T.O. Gear Base Cover (Ref. No. 86) Mounting Sem				73	221661	Screen—Starter Pulley
11	231392	Tube—Breather	31	222282	Washer—Flat (One for Each Screw)	74	93490	Screw—Sem
12	**270833	Gasket—Crankcase—.015" thick (Standard)	32	93670	Screw—Connecting Rod	75	220865	Washer
	**270895	Gasket—Crankcase .005" thick	33	261912	Valve—Exhaust	76	68238	Washer—Ratchet Sealing
	**270896	Gasket—Crankcase .009" thick	34	261233	Valve—Intake	81	223256	Lock—Muffler Screw
13	93111	Screw—Cylinder Head (1-15/16" long)	35	260552	Spring—Intake Valve	83	230831	Shaft—Drive
15	91084	Plug—Oil Drain	36	26826	Spring—Exhaust Valve		<b>Note:</b>	230921 Shaft—Drive Used on Type No. 0133.
		<b>To Replace Crankshaft Gear Pin, Order Part No. 230978.</b>	37	223150	Guard—Flywheel	83A	231278	Gear—Drive
16	397230	Crankshaft	40	93312	Retainer—Valve Spring Used with valves with groove in stem.		<b>Note:</b>	231279 Gear—Drive Used on Type No. 0133.
18	395384	Base—Engine	41	292259	Rotocap—Exhaust Valve	86	221780	Cover—Base
18A	395390	Base—Engine	42	230127	Retainer—Exhaust Valve Rotocap	87	391484	Seal—Oil
19	293709	Bushing—Engine Base	44	230126	Pin—Exhaust Valve Rotocap Retainer	88	270328	Gasket—Base Cover
	<b>Note:</b>	Requires special tools for installation.	45	261250	Tappet—Valve	95	94098	Screw—Throttle Valve Mounting Sem
20	391483	Seal—Oil	46	395856	Gear—Cam	98	398185	Screw—Idle Adjustment
22	93032	Screw—Mtg. Sem	46A	396052	Cam Gear, Worm and Oil Slinger Assy.	104	†231371	Pin—Float Hinge
22A	93415	Screw—Sem (One used in Auxiliary Drive Gear Base)		<b>Note:</b>	396064 Cam Gear, Worm and Oil Slinger Assy. Used on Type No. 0133.	108	223471	Valve—Choke
23	395653	Flywheel—Magneto	52	**270844	Gasket—Intake Elbow	116	†*	Gasket—Sealing (Sold in Kit Only)
24	222698	Key—Flywheel	54	93485	Screw—Intake Elbow Mounting	117	†	Jet (Sold in Kit Only)
25	396455	Piston Assy.—Standard	56	280439	Pulley—Starter	118	†398670	Valve and Spring—Needle (For LMS-4)
	396456	Piston Assy.—.010" O.S.	57	294303	Spring—Rewind Starter		<b>Note:</b>	†398157 Valve and Spring—Needle (For LMS-2)
	396457	Piston Assy.—.020" O.S.	58	280406	Rope—Rewind Starter—81" long	121	398669	Carburetor Overhaul Kit (For LMS-4)
	396458	Piston Assy.—.030" O.S.		<b>Note:</b>	If longer rope is needed, Order No. 280399 and cut to required length. Order 66734 for 48-5/8" long rope.		<b>Note:</b>	398158 Carburetor Overhaul Kit (For LMS-2)
		<b>MODEL 114700 SERIES PISTON RING SETS:</b>	59	396892	Insert—Starter Grip	124	94119	Screw—Carburetor Mtg.
		<b>Note:</b> For Chrome Piston Ring Set—Standard Size—Order Part No. 392330.	60	393152	Grip—Starter Rope	125	398901	Carburetor Assembly (For LMS-4)
26	396459	Ring Set—Std. Piston	65	94058	Screw—Cover Mounting		<b>Note:</b>	398668 Carburetor Assy. (For LMS-2)
	396460	Ring Set—.010" O.S. Piston				127	†	Plug—Welch (Sold in Kit Only)
		**Included in Gasket Set—Part No. 391662.				130	223470	Valve—Throttle
								*Included in Carburetor Gasket Set—Part No. 398183.
								†Included in Carburetor Overhaul Kit—See Ref. 121.

# 114700 to 114799

REF. NO.	PART NO.	DESCRIPTION	REF. NO.	PART NO.	DESCRIPTION	REF. NO.	PART NO.	DESCRIPTION		
131	398673	Shaft and Lever—Throttle	305	93559	Screw—Blower Housing Mounting Sem	625	397973	Tube—Fuel Intake		
133	398187	Float Assy.—Carburetor	333	398593	Armature—Magneto	634	†*	Washer—Throttle Shaft (Sold in Kit Only)		
134	†398188	Valve—Inlet (Includes Seat)	334	93381	Screw—Armature Mounting Sem	634A	†*	Seal—Choke (Sold in Kit Only)		
137	†*	Gasket—Bowl (Sold in Kit Only)	337	298809	Plug—Spark (with Gasket) (1-1/2" high—37-42 mm.)	635	66538	Elbow—Spark Plug		
141	398186	Shaft—Choke		<b>Note:</b>	293918			Spacer—Fuel Tank		
163	271840	Gasket—Air Cleaner						Screw—Bracket Mounting		
187	390674	Hose—Fuel						720	93474	Pin—Gear to Shaft
	<b>Note:</b>	393815						721	221779	Stop—Drive Shaft
		Hose—Fuel (11" long)	346	93705	Screw—Hex. Hd.			729	280470	Clip—Wire
187A	398396	Pipe—Fuel (Molded)	356	398808	Wire—Ground	741	261533	Gear—Timing		
188	398540	Screw—Fuel Tank and Starter Mounting (Includes Washer)	358	391662	Gasket Set	832	399146	Guard—Group—Muffler		
201	262066	Link—Governor	363	19069	Puller—Flywheel (Optional Accessory)	842	270920	Seal—Filler Cap		
202	262065	Link—Throttle	377	93065	Key—Woodruff	847	398010	Filler Group—Oil Used on Model 114702 and 114782 Series.		
203	280533	Crank—Bell	383	89838	Wrench—Spark Plug	851	221798	Terminal—Ignition Cable		
205	93838	Screw—Shoulder	414	220982	Washer	869	210879	Seal—Intake Valve (Standard)		
209	262075	Spring—Governor	523	398012	Cap with Dipstick—Oil Filler for Model 114702 and 114782 Series.	870	211291	Seat—Exhaust Valve (Standard)		
	<b>Note:</b>	262077						871	262001	Guide—Exhaust Valve
		Spring—Governor Used on Type Nos. 0132, 0133.	524	271485	Seal—Filler Tube			<b>Note:</b>	63709	Guide—Intake Valve
219	394044	Oil Slinger Assembly	525	280504	Tube—Oil Filler for Model 114702 and 114782 Series.					See Repair Instruction Manual.
227	396504	Lever Assy.—Governor	529	280524	Grommet—Breather	901	223530	Bracket—Bell Crank		
228	93758	Screw—Hex. Hd.	552	230732	Bushing—Governor Shaft	949	280502	Cover—Static-Gard (Rewind) Used on Model 114702 and 114782 Series.		
240	298090	Filter—Fuel (In Fuel Pipe)	601	93053	Clamp—Hose			955	231373	Screw—Bowl Mtg.
265	221535	Clamp—Casing	608		Starter Assembly—Rewind			957	397974	Cap Assembly—Fuel
267	93686	Screw—Clamp Mtg.		<b>Note:</b>	398634			958	396244	Valve—Fuel Shut-Off
268	66986	Casing—Control Wire—48" long			Starter Assy.—Rewind (12 o'clock) Used on Type Nos. 0100, 0120, 0132, 0133.			966	399059	Base—Air Cleaner
	<b>Note:</b>	If longer casing is needed, specify length in inches; if a shorter casing is needed, Order No. 66986 and cut to required length.			398649			<b>Note:</b>	399038	Base—Air Cleaner Used on Type Nos. 0120, 0131.
269	26099	Wire—Control, 54" long			Starter Assy.—Rewind (3 o'clock) Used on Type Nos. 0130, 0131.	967	397795	Filter—Air		
	<b>Note:</b>	If longer wire is needed, specify length in inches; if shorter wire is needed, Order No. 26099 and cut to required length.	613	93935	Screw—Muffler Mounting	968	280501	Cover—Air Cleaner		
270	63426	Locknut—Control Wire Casing	615	93307	Retainer—E-Ring	969	94173	Screw—Cover Mounting		
271	290568	Lever Assembly—Control	616	394075	Crank—Governor	970	94118	Screw—Hex. Hd.		
284	94073	Screw—Clamp Mounting	617	†*270344	Seal—Fuel Intake Tube	971	94121	Screw—Air Cleaner		
300	394644	Muffler—Exhaust	618	262035	Spring—Choke	972	398008	Tank Assembly—Fuel		
			620	398637	Plate—Carburetor Control Used on Model 114702 Series.	973	94114	Screw—Hex. Hd.		
			621	396847	Switch—Stop	975	398191	Bowl Assy.—Carburetor		
						977	398183	Gasket Set—Carburetor		
						988	223600	Bracket—Muffler		
						991	399039	Pre-filter Assembly		
						992	223596	Shroud—Air Cleaner		
						993	93969	Screw—Hex. Hd.		

†Included in Carburetor Overhaul Kit—See Ref. 121.

\*\*Included in Carburetor Gasket Set—Part No. 398183.

