

**114700 to 114799**

## **Illustrated Parts List Model Series**

### **114700 to 114799**

#### **Compliance**

TYPE NUMBERS  
3000, 3020,  
3026 through 3041,  
3046, 3047, 3715, 3750.

#### **Non-Compliance**

TYPE NUMBERS  
0010, 0020, 0025, 0026,  
0035, 0036, 0050, 0051,  
0100, 0102, 0120,  
0130 through 0179,  
0182.

#### **TO FIND**

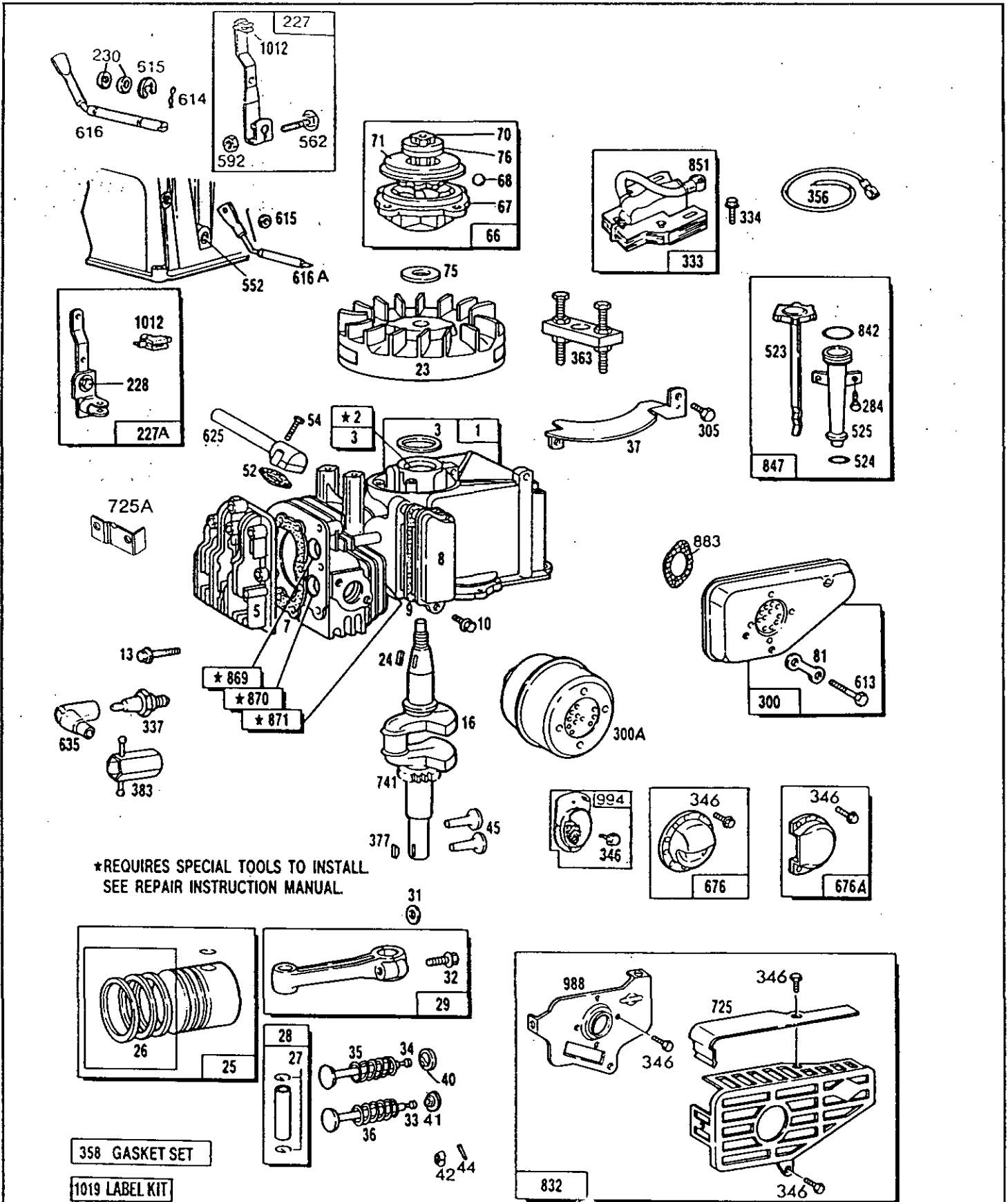
**THE CORRECT NUMBER OF THE PART YOU NEED:  
FOLLOW THE INSTRUCTIONS BELOW**

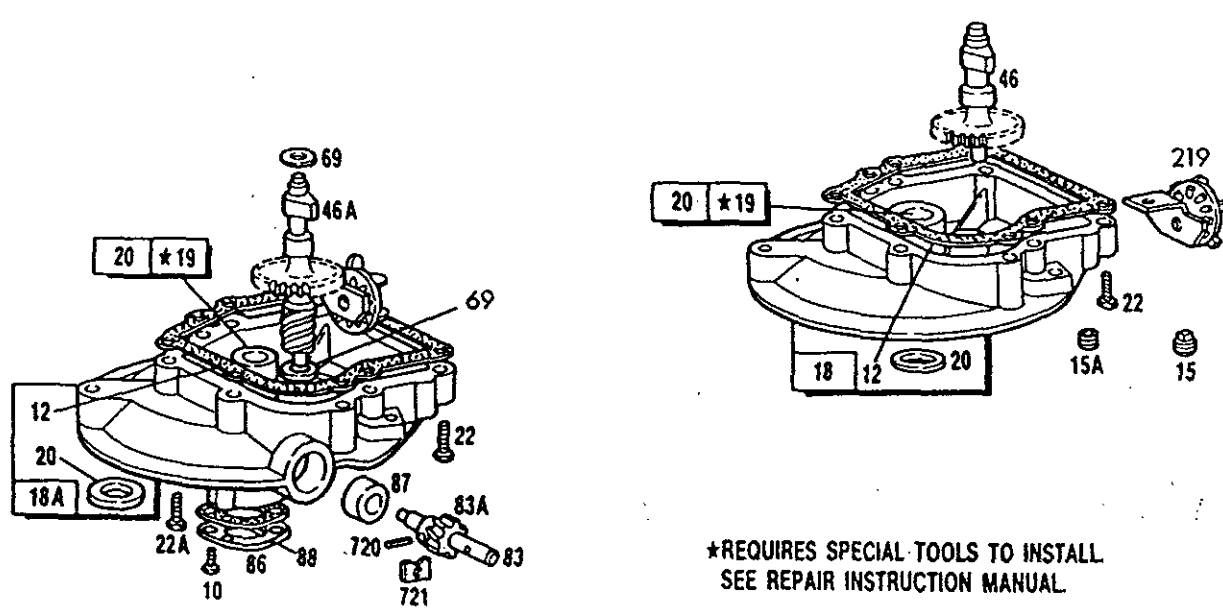
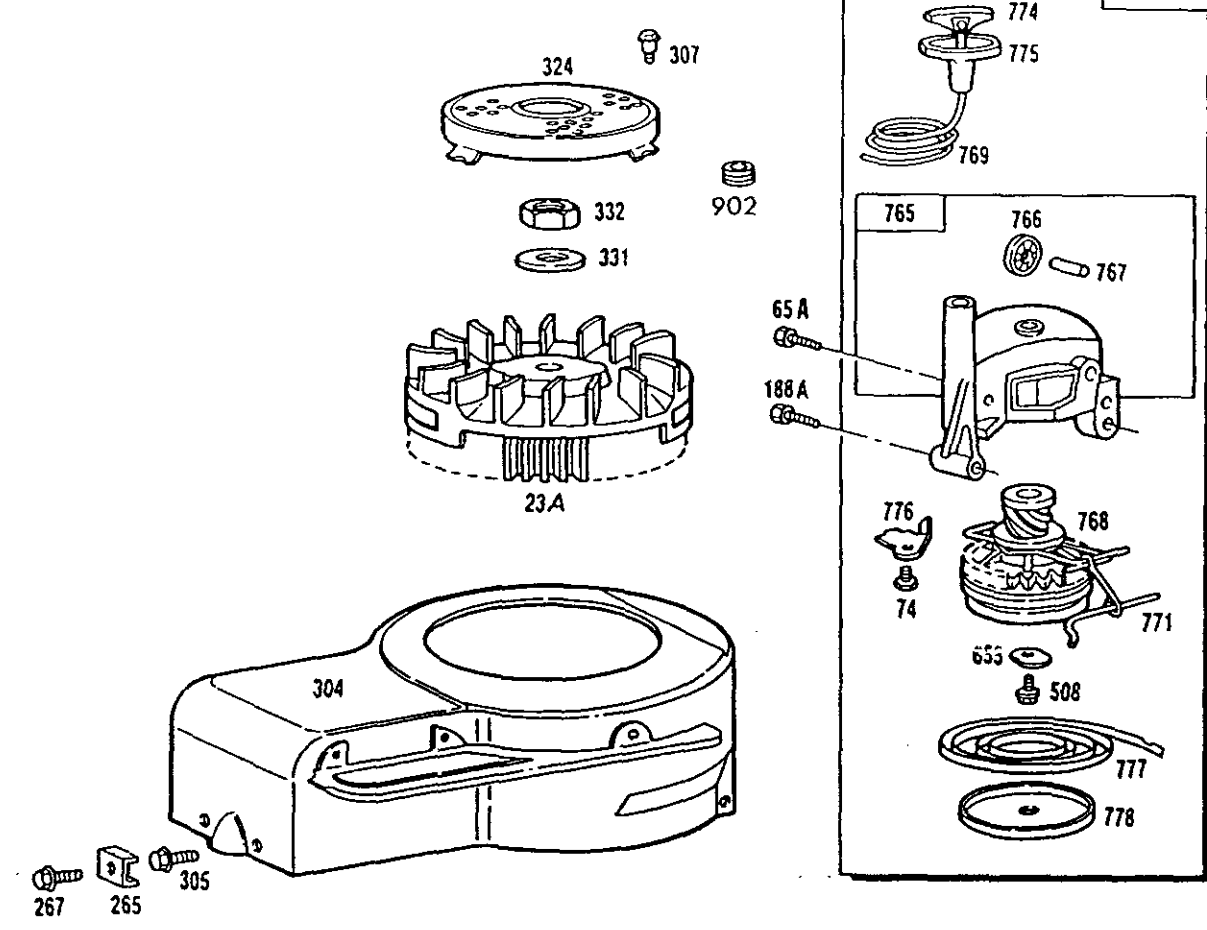
- A. Refer to Engine Model, Type and Code Number that is stamped on the blower housing of engine. Engine type numbers such as 012301 are listed herein only as 0123. The two digits (01 or 02, etc.) to the right of the space are not needed for parts identification. Then use the Illustrated Parts List covering the Model Series.
- B. Refer to Illustrated Parts section and compare the old part with illustration. The number on the illustration is the Reference Number. Assemblies include all parts shown in frames. All parts shown in assembly frames on which individual reference numbers are given can be purchased separately.
- C. After the Reference Number has been identified, refer to the Numerical Parts List, where Reference and Master Part Number are listed. **THE MASTER PART IS USED ON ALL TYPE NUMBERS EXCEPT THOSE TYPE NUMBERS UNDER "NOTE."**
- D. If a "Note" appears below the Master Part Number, this means that this part differs from the Master Part for certain types. If the Type number is listed under "Note," order the part referred to.
- E. If the Engine Type Number does not appear after any part number listed under "Note," use the Master Part Number.
- F. For Type Numbers higher than those covered by this book, please refer to the factory if you are unable to identify the part by comparison.



**BRIGGS & STRATTON**

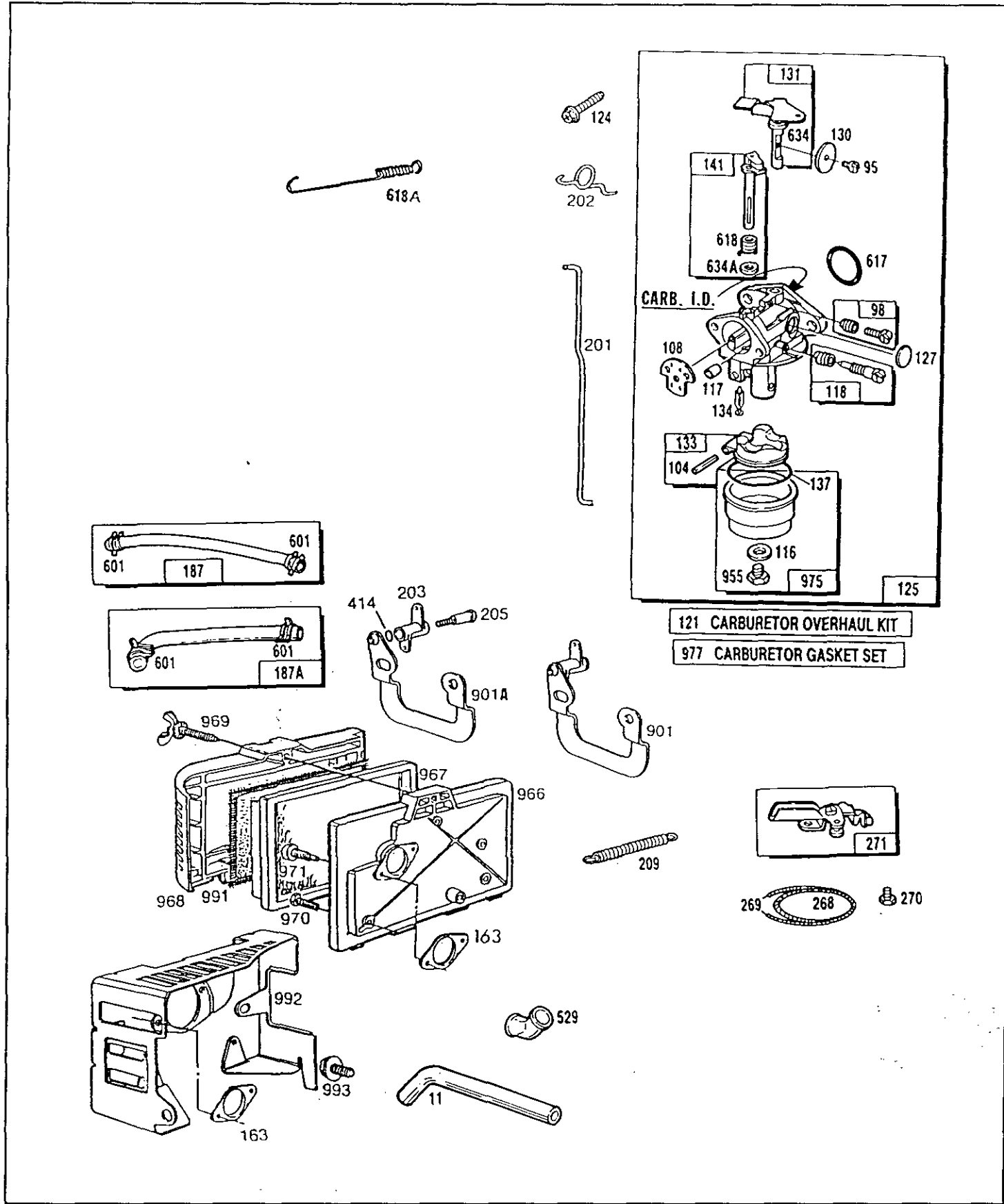
# 114700 to 114799

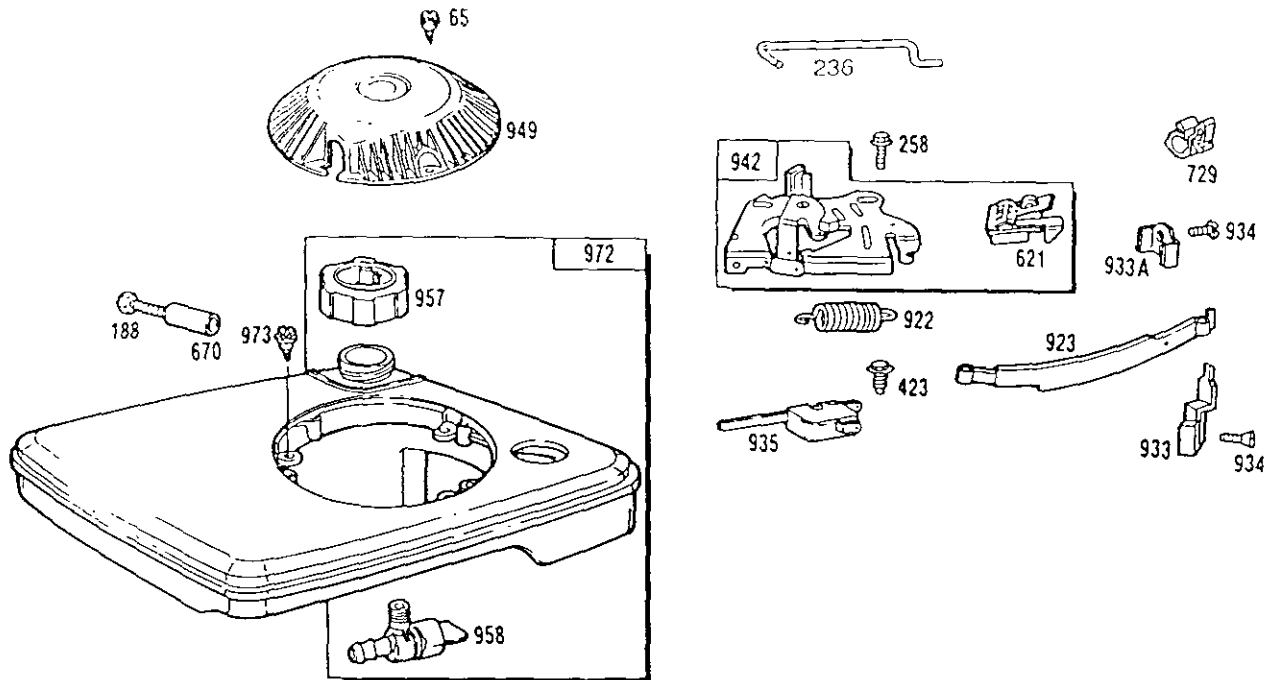




\*REQUIRES SPECIAL TOOLS TO INSTALL  
SEE REPAIR INSTRUCTION MANUAL

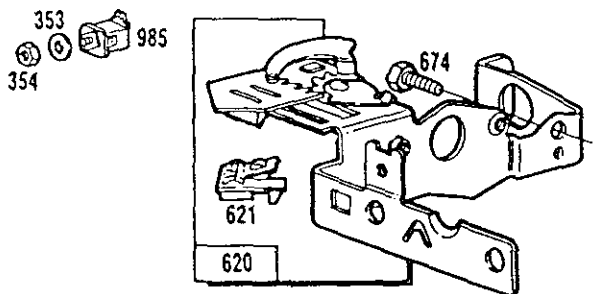
# 114700 to 114799



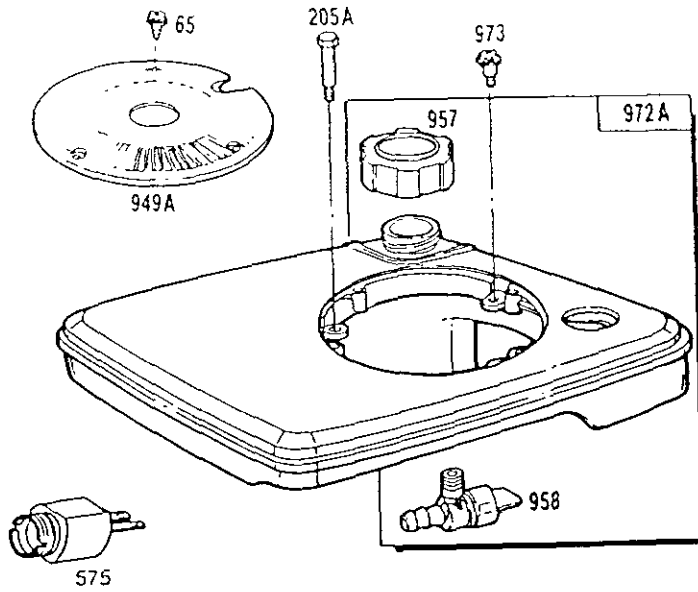


REF. 972  
FUEL TANKS FOR ENGINES WITH REWIND START ONLY

Color	Black	Grey	Amer. Red (I/C®)	Sun Yellow
Part No.	490622	490808	490806	490804

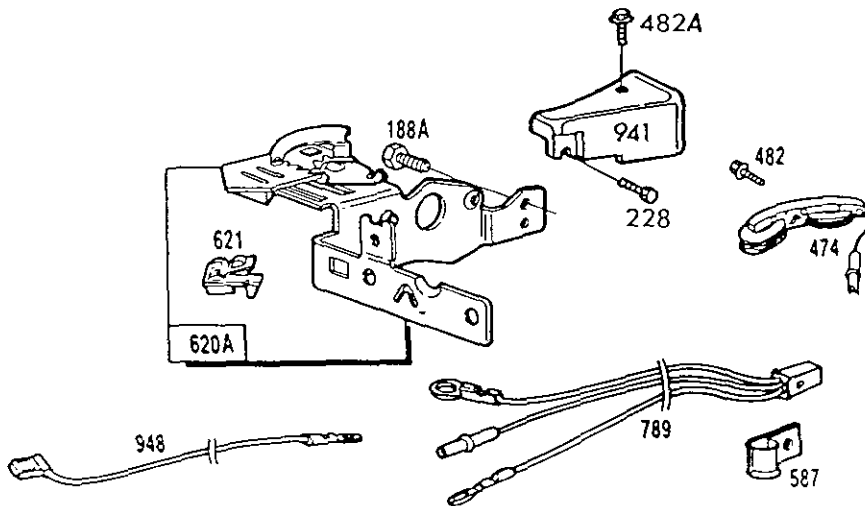
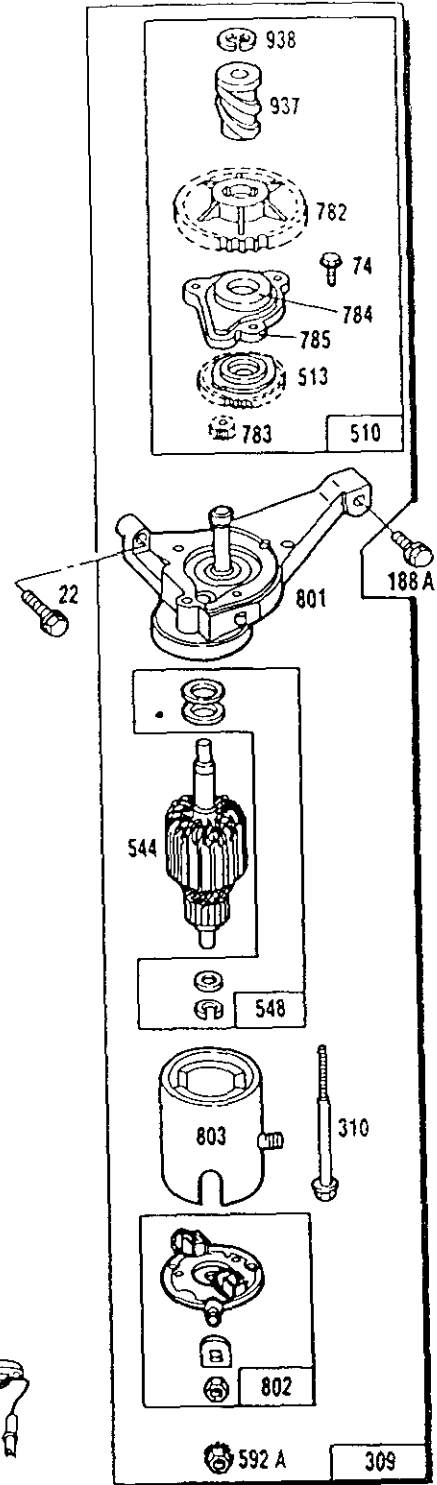


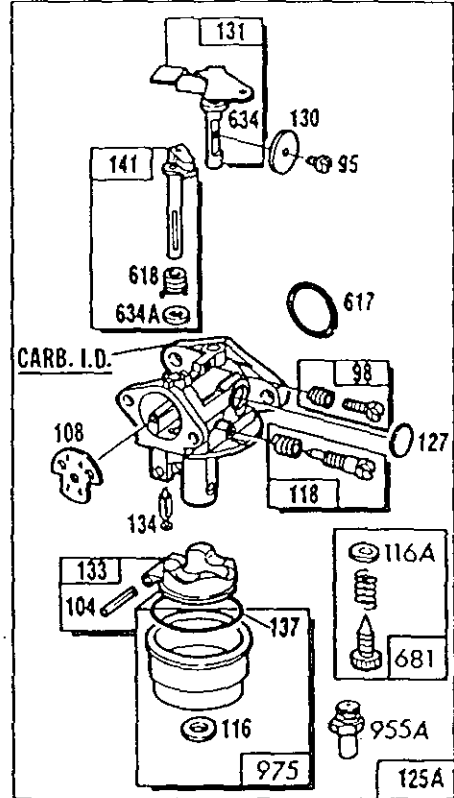
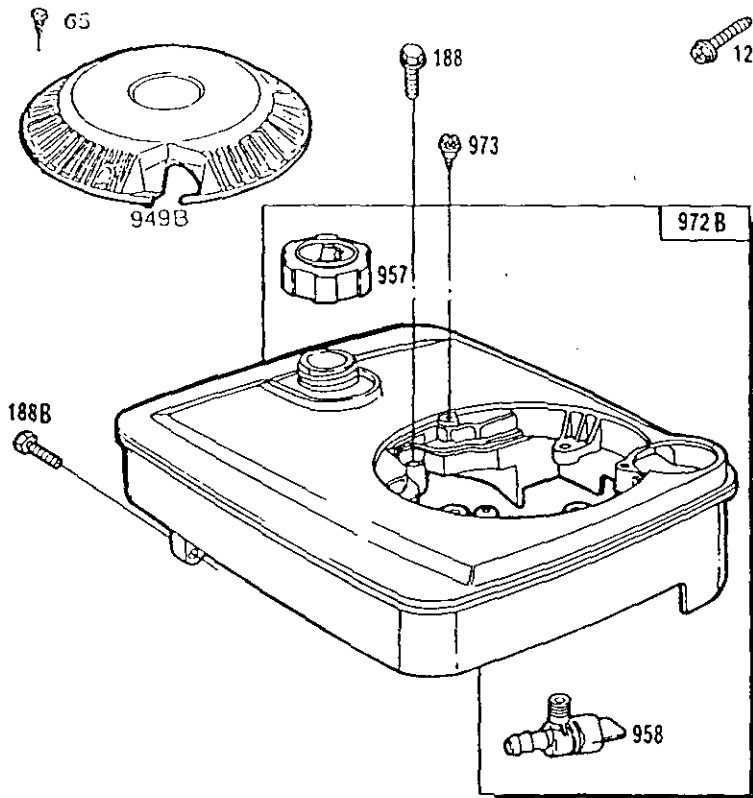
# 114700 to 114799



REF. 972A  
FUEL TANKS FOR ENGINES WITH VERTICAL PULL OR ELECTRIC STARTERS

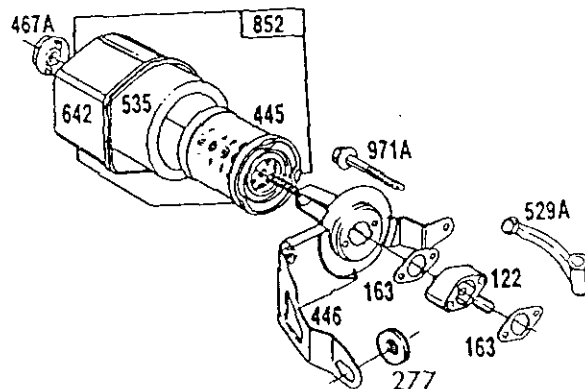
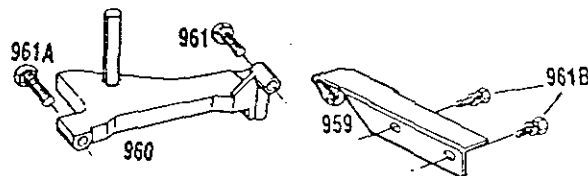
Color	Black	Amer. Red (I/C®)
Part No.	490623	490805



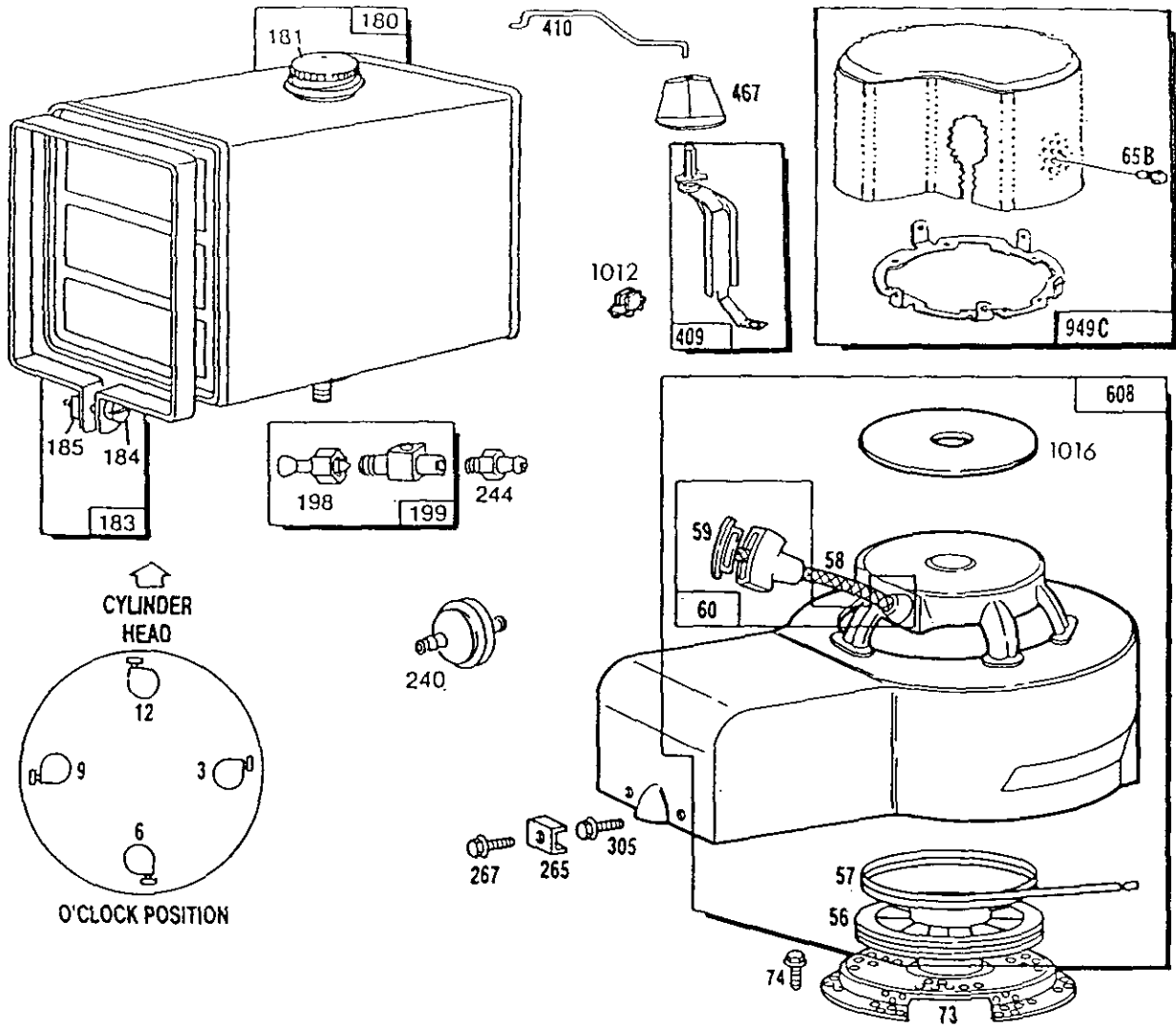


121 CARBURETOR OVERHAUL KIT

977 CARBURETOR GASKET SET



# 114700 to 114799



## REWIND STARTER ASSEMBLIES FOR NON-BAND BRAKE

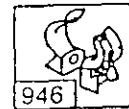
CLOCK POSITIONS			
3	6	9	12
491003	491507	*399013	398634

\*See Text For Specials

## REWIND STARTER ASSEMBLIES FOR BAND BRAKE

CLOCK POSITIONS			
5	6	10	12
491126	399530	*490269	398647

\*See Text For Specials



946A



# 114700 to 114799

REF. NO.	PART NO.	DESCRIPTION	REF. NO.	PART NO.	DESCRIPTION	REF. NO.	PART NO.	DESCRIPTION	
1	399166	Cylinder Assembly		492087	Crankshaft		396457	Piston Assembly—	
2	399269	Bearing—Cylinder (Du Bearing)			Used On Type Nos. 0026, 0036, 0135, 0142, 0148, 0151, 0152, 0154, 0167, 0173, 0179, 3032, 3033.			.020" O.S.	
	<b>Note:</b>	Requires special tools for installation.					396458	Piston Assembly—	
3	299819	Seal—Oil		492096	Crankshaft			.030" O.S.	
5	212996	Head—Cylinder			Used on Type Nos. 0025, 0035, 0050, 0051, 3715, 3750.		<b>MODEL 114700 SERIES PISTON RING SETS:</b>		
7	* 270836	Gasket—Cylinder Head					<b>Note:</b>	For Chrome Piston Ring	
8	298383	Breather—Valve Chamber						Set—Standard Size— Order Part No. 392330.	
9	270239	Gasket—Valve Cover				26	396459	Ring Set—Std. Piston	
10	93394	Screw—Breather and P.T.O. Gear Sump Cover (Ref. No. 86) Mounting Sem	18	395384	Sump—Engine		396460	Ring Set—.010" O.S. Piston	
				<b>Note:</b>	491891 Sump—Engine		396461	Ring Set—.020" O.S. Piston	
11	231392	Tube—Breather			Used On Type Nos. 0150, 0182, 3035, 3036, 3046, 3047.		396462	Ring Set—.030" O.S. Piston	
12	* 270833	Gasket—Sump .015" thick (Standard)	18A	395390	Sump—Engine		27	26026	Lock—Piston Pin
	* 270895	Gasket—Sump .005" thick			Used on Model 114782 and 114787 Series.		28	391649	Pin Assembly—Piston— Standard
	* 270896	Gasket—Sump .009" thick	19	293709	Bushing—Engine Sump			394861	Pin Assembly—Piston— .005" O.S.
				<b>Note:</b>	Requires special tools for installation.		29	391640	Rod Assembly— Connecting
13	93111	Screw—Cylinder Head (1-15/16" long)	20	391483	Seal—Oil			<b>Note:</b>	For Connecting Rod with .020" undersize Crankpin Bore—Order No. 393710.
	<b>Note:</b>	93772 Stud—Cylinder Head 22963 Washer Used On Type No. 3034.			Seal—Oil Used On Type Nos. 0150, 0182, 3035, 3036, 3046, 3047.		31	222282	Washer—Flat (One for Each Screw)
15	91084	Plug—Oil Drain	22	93032	Screw—Sump Mtg. Sem		32	94405	Screw—Connecting Rod
15A	93418	Plug—Oil Drain (Socket Head)	22A	93415	Screw—Sump Mtg. Sem (One used in Auxiliary Drive Gear Sump) on Model 114782 and 114787 Series.		33	261912	Valve—Exhaust
16	492093	Crankshaft					34	261233	Valve—Intake
	<b>Note:</b>	To Replace Crankshaft Gear Pin, Order Part No. 230978. 262340 Crankshaft <b>Uses:</b> 220708 Shim— Crankshaft Thrust Used On Type Nos. 0150, 0182, 3035, 3036, 3040, 3047. 397231 Crankshaft Used on Type No. 0155. 490783 Crankshaft Used On Type No. 0165.					35	260552	Spring—Intake Valve
				<b>Note:</b>	Use 93032 Screw in the other (5) Sump Mounting Holes.		36	26826	Spring—Exhaust Valve
							37	223150	Guard—Flywheel
			23	395653	Flywheel—Magneto		40	93312	Retainer—Valve Spring Used with valves with groove in stem.
				<b>Note:</b>	393831 Flywheel— Magneto Used on Type Nos. 0025, 0026, 0035, 0036, 0050, 0051, 0156, 0165, 3041, 3750.		41	292259	Rotacap—Exhaust Valve
			23A	394848	Flywheel—Magneto Used on Model 114707, 114708, 114787, and 114788 Series.		42	230127	Retainer—Exhaust Valve Rotacap
							44	230126	Pin—Exhaust Valve Rotacap Retainer
			24	222698	Key—Flywheel		45	261250	Tappet—Valve
			25	396455	Piston Assy.—Standard		46	395856	Gear—Cam
				396456	Piston Assembly— .010" O.S.		46A	396052	Cam Gear, Worm and Oil Slinger Assembly (Clockwise)

\* Included in Gasket Set—Part No. 391662

# 114700 to 114799

REF. NO.	PART NO.	DESCRIPTION	REF. NO.	PART NO.	DESCRIPTION	REF. NO.	PART NO.	DESCRIPTION
	<b>Note:</b>	<b>396064</b> Cam Gear, Worm and Oil Slinger Assembly (Counterclockwise) Used on Type Nos. 0051, 0133, 0140, 0144, 0153, 0154, 0158, 0159, 0162, 0166.		<b>Note:</b>	<b>230921</b> Shaft—Drive Used on Type Nos. 0133, 0140, 0144, 0158.	<b>125</b>	<b>492544</b>	Carburetor Assembly (Fixed Jet) (For LMS-2, LMS-4, LMS-7, and LMS-12)
<b>52</b>	<b>* 270844</b>	Gasket—Intake Elbow	<b>83A</b>	<b>231278</b>	Gear—Drive		<b>Note:</b>	<b>492586</b> Carburetor Assembly (Fixed Jet) Used On Type Nos. 0182, 3046, 3047.
<b>54</b>	<b>93485</b>	Screw—Intake Elbow Mounting		<b>Note:</b>	<b>231279</b> Gear—Drive Used on Type Nos. 0051, 0133, 0140, 0144, 0153, 0154, 0158.	<b>125A</b>	<b>491002</b>	Carburetor Assembly (Adjustable Needle Valve)
<b>56</b>	<b>280439</b>	Pulley—Starter	<b>86</b>	<b>221780</b>	Cover—Sump	<b>127</b>	†	Plug—Welch (Sold in Kit Only)
<b>57</b>	<b>490179</b>	Spring—Rewind Starter	<b>87</b>	<b>391484</b>	Seal—Oil	<b>130</b>	<b>223470</b>	Valve—Throttle
<b>58</b>	<b>280406</b>	Rope—Rewind Starter—81" long	<b>88</b>	<b>* 270328</b>	Gasket—Sump Cover	<b>131</b>	<b>398673</b>	Shaft and Lever—Throttle
	<b>Note:</b>	If longer rope is needed, Order No. <b>280399</b> and cut to required length. Order <b>66734</b> for 48-5/8" long rope.	<b>95</b>	<b>94098</b>	Screw—Throttle Valve Mounting Sem	<b>133</b>	<b>398187</b>	Float Assy.—Carburetor
<b>59</b>	<b>396892</b>	Insert—Starter Grip	<b>98</b>	<b>398185</b>	Screw—Idle Adjustment	<b>134</b>	† <b>398188</b>	Valve—Inlet (Includes Seat)
<b>60</b>	<b>393152</b>	Grip—Starter Rope	<b>104</b>	† <b>231371</b>	Pin—Float Hinge	<b>137</b>	**†	Gasket—Bowl (Sold in Kit Only)
<b>65</b>	<b>94058</b>	Screw—Cover Mounting	<b>108</b>	<b>223471</b>	Valve—Choke	<b>141</b>	<b>398186</b>	Shaft—Choke
<b>65A</b>	<b>93587</b>	Screw—Vertical Pull Starter Mounting	<b>116</b>	**†	Gasket—Sealing		<b>Note:</b>	<b>492834</b> Shaft—Choke Used On Type Nos. 0182, 3046, 3047.
<b>65B</b>	<b>93572</b>	Screw—Hex Head	<b>116A</b>	† <b>280756</b>	O-Ring	<b>163</b>	<b>271840</b>	Gasket—Air Cleaner
<b>66</b>	<b>399671</b>	Clutch Assembly—Rewind Starter	<b>117</b>	†	Jet (Sold in Kit Only)	<b>180</b>	<b>291488</b>	Tank Assembly—Fuel (6 Quart)
<b>67</b>	<b>394897</b>	Housing—Starter Clutch	<b>118</b>	† <b>492500</b>	Valve and Spring—Needle (For LMS-12)	<b>181</b>	<b>392305</b>	Cap—Fuel Tank
<b>68</b>	<b>63770</b>	Ball—Clutch		† <b>398670</b>	Valve and Spring—Needle (For LMS-4 and LMS-7)	<b>183</b>	<b>291490</b>	Strap Assembly—Fuel Tank
<b>69</b>	<b>66874</b>	Washer—Thrust (Used between Cam Gear and Cylinder)		† <b>398157</b>	Valve and Spring—Needle (For LMS-2)	<b>184</b>	<b>91257</b>	Screw—Machine, Fil. Hd.—1/4-20 x 1-1/2"
	<b>Note:</b>	<b>68938</b> Washer—Thrust (Used between Cam Gear and Engine Base)	<b>121</b>	<b>492495</b>	Carburetor Overhaul Kit (For LMS-12)	<b>185</b>	<b>90970</b>	Nut—Square—1/4-20
<b>70</b>	<b>298799</b>	Ratchet—Rewind Starter		<b>Note:</b>	<b>398158</b> Carburetor Overhaul Kit (For LMS-2)	<b>187</b>	<b>393815</b>	Hose—Fuel
<b>71</b>	<b>394506</b>	Washer—Clutch Retainer (Rubber Coated)			<b>490931</b> Carburetor Overhaul Kit (For LMS-7)	<b>187A</b>	<b>398396</b>	Hose—Fuel (Molded)
	<b>Note:</b>	<b>221653</b> Washer—Clutch Retainer (Non-Coated)			<b>492072</b> Carburetor Overhaul Kit (For LMS-4)		<b>Note:</b>	<b>398367</b> Hose—Fuel Used on Model <b>114708</b> and <b>114788</b> Series.
<b>73</b>	<b>221661</b>	Screen—Starter Pulley			<b>See Carburetor Illustration for Location of LMS I.D. Number</b>	<b>188</b>	<b>398540</b>	Screw—Fuel Tank Mounting (Includes Washer)
<b>74</b>	<b>93490</b>	Screw—Sem				<b>188A</b>	<b>93847</b>	Screw—Mounting
<b>75</b>	<b>220865</b>	Washer				<b>188B</b>	<b>399918</b>	Screw—Fuel Tank Mounting
<b>76</b>	<b>68238</b>	Washer—Ratchet Sealing				<b>198</b>	<b>293934</b>	Valve—Fuel Shut-Off
<b>81</b>	<b>223256</b>	Lock—Muffler Screw				<b>199</b>	<b>297563</b>	Outlet—Fuel Tank
<b>83</b>	<b>230831</b>	Shaft—Drive	<b>122</b>	<b>280753</b>	Spacer—Air Cleaner	<b>201</b>	<b>262066</b>	Link—Governor
			<b>124</b>	<b>94119</b>	Screw—Carburetor Mtg.	<b>202</b>	<b>262065</b>	Link—Throttle
						<b>203</b>	<b>280533</b>	Crank—Bell (Used Before Code Date 87020900.)

\* Included in Gasket Set—Part No. 391662

\*\* Included in Carburetor Gasket Set—Part No. 398183

† Included in Carburetor Overhaul Kit—See Ref. 121

# 114700 to 114799

REF. NO.	PART NO.	DESCRIPTION	REF. NO.	PART NO.	DESCRIPTION	REF. NO.	PART NO.	DESCRIPTION
205	93838	Screw—Shoulder (Used Before Code Date 87020900.)		<b>Note:</b> 22372	Clamp—Casing Used On Type Nos. 0142, 0145, 0148, 0151, 0156, 0157, 0170, 0175, 3039, 3040.	334	93381	Screw—Armature Mounting Sem
205A	94141	Screw—Hex. Hd.				337	298809	Plug—Spark (with Gasket) (1-1/2" High, 37 mm.)
209	262075	Spring—Governor					<b>Note:</b> 293918	Plug—Spark (Resistor Type) (1-1/2" High, 37 mm.)
		<b>Note:</b> 262073 Spring— Governor Used on Type No. 0149.	267	93686	Screw—Clamp Mtg.			492167 Plug—Spark (1-7/8" High, 48 mm.)
		262074 Spring— Governor Used on Type Nos. 0147, 0151, 0159, 0162, 0166, 0177, 3034, 3036, 3047.		<b>Note:</b> 93469	Screw—Clamp Used On Type Nos. 0142, 0145, 0148, 0151, 0156, 0157, 0170, 0175, 3039, 3040.			802592 Plug—Spark (Resistor Type) (1-7/8" High, 48 mm.)
		262076 Spring— Governor Used on Type Nos. 0135, 0136, 0137, 0143, 0144, 0158, 0170, 0174, 3026, 3027, 3028, 3029, 3030, 3031, 3037, 3038.	268	66986	Casing—Control Wire— 48" long	346	93705	Screw—Hex Head
		262077 Spring— Governor Used on Type Nos. 0132, 0133, 0138, 0139, 0140, 0142, 0145, 0146, 0148, 0152, 0156, 0165, 0169, 0175, 0179, 3041.		<b>Note:</b> If longer casing is needed, specify length in inches; if a shorter casing is needed, Order No. 66986 and cut to required length.		353	92791	Washer—Lock— Shakeproof
219	394044	Oil Slinger Assembly	269	26099	Wire—Control, 54" long	354	90576	Nut—Hex.—8-32
227	491482	Lever Assy.—Governor (Used After Code Date 88103100.)		<b>Note:</b> If longer wire is needed, specify length in inches; if shorter wire is needed, Order No. 26099 and cut to required length.	377	93065	Key—Woodruff No. 6	
227A	491481	Lever Assy.—Governor (Used Before Code Date 88110100.)	270	63426	Locknut—Control Wire Casing	383	89838	Wrench—Spark Plug
228	93758	Screw—Hex. Hd.	271	290568	Lever Assembly— Control	409	399661	Control Dial
230	220680	Washer	277	22776	Washer—Flat	410	262106	Link—Control
236	262461	Link—Brake Lock Out	284	94073	Screw—Clamp Mounting	414	220982	Washer (Used Before Code Date 87020900.)
240	298090	Filter—Fuel (In Fuel Pipe)	300	394644	Muffler—Exhaust	423	93758	Screw—Sem
244	230318	Connector—Fuel Pipe	300A	394569	Muffler—Exhaust (3" Outside Diameter)	445	396424	Cartridge—Air Cleaner
258	94018	Screw—Hex. Hd.	304	398392	Housing Assy.—Blower	446	399940	Base—Air Cleaner
265	221535	Clamp—Casing	305	94153	Screw—Sem	467	299858	Knob—Dial Control
			307	93926	Screw—Shoulder	467A	212706	Knob—Air Cleaner
			309	398635	Motor—Starter (12 Volt)	474	397880	Stator Assembly— Alternator
				<b>Note:</b> 490307	Motor—Starter (12 Volt) Used on Type No. 3031.	482	94016	Screw—Hex. Hd.
			310	94051	Bolt—Starter Motor	482A	93621	Screw—Hex. Hd.
			324	223006	Screen—Rotating	508	93158	Screw—Sem
			331	223047	Washer—Flywheel	510	395727	Drive Kit—Starter
			332	92284	Nut—Flywheel	513	‡ 394815	Clutch Assembly— Electric Starter
			333	398593	Armature—Magneto	523	398012	Cap with Dipstick— Oil Filler <i>Used on Model 114702 and 114782 Series Except when Listed Under Note.</i>
							<b>Note:</b> 396372	Cap with Dipstick—Oil Filler Used on Type Nos. 0020, 0035, 0036, 0120, 0131, 0135,

‡ Included in Starter Drive Kit—Part No. 395727

# 114700 to 114799

REF. NO.	PART NO.	DESCRIPTION	REF. NO.	PART NO.	DESCRIPTION	REF. NO.	PART NO.	DESCRIPTION
		0162, 0164, 0166, 3020, 3038.		<b>Note:</b> 490079	Starter Assy.—Rewind (9 o'clock) (Dial-Trol) Used on Type No. 0135.			399659 Plate—Carburetor Control Used on Type No. 0135.
		<b>398033</b> Cap with Dipstick—Oil Filler Used on Type Nos. 0146, 0147, 0149, 0155, 0160, 0162, 0167, 0168, 0171, 0175, 3029, 3030, 3031, 3033, 3034, 3036, 3047.		490288	Starter Assy.—Rewind (Electric-10 o'clock) Used on Type No. 3031.	620A	398450	Plate—Carburetor Control (Used For Electric Starter)
524	271485	Seal—Filler Tube		491120	Starter Assy.—Rewind (Electric-6 o'clock) Used on Type No. 3033.			<b>Note:</b> 492390 Plate—Carburetor Control Used On Type No. 3047.
525	280504	Tube—Oil Filler Used on Model 114702 and 114782 Series Except when Listed Under Note.		491507	Starter Assy.—Rewind (6 o'clock) Used On Type No. 0177.	621	396847	Switch—Stop
		<b>Note:</b> 280578 Tube—Oil Filler Used on Type Nos. 0020, 0035, 0036, 0120, 0131, 0135, 0162, 0164, 0166, 3020, 3038.		491625	Starter Assy. (Electric-12 o'clock) Used On Type Nos. 0160, 0167, 0168, 0171.	625	397973	Tube—Fuel Intake
		<b>280508</b> Tube—Oil Filler Used on Type Nos. 0146, 0147, 0149, 0155, 0160, 0162, 0167, 0168, 0171, 0175, 3029, 3030, 3031, 3033, 3034, 3036, 3047.	613	93935	Screw—Muffler Mounting	634 **†		Washer—Throttle Shaft (Sold in Kit Only)
529	280524	Grommet—Breather	614	93306	Pin—Cotter	634A		Seal—Choke (Sold in Kit Only)
529A	280701	Grommet—Breather	615	93307	Retainer—E-Ring	635	66538	Elbow—Spark Plug
535	271466	Element—Air Cleaner	616	491405	Crank—Governor (Used After Code Date 88103100.)	642	223306	Cover—Air Cleaner
544	398636	Armature—Starter		616A	394075	655	222057	Anchor—Spring
548	396067	Washer Set—Starter Motor				670	280512	Spacer—Fuel Tank
						674	94117	Screw—Bracket Mounting
552	230732	Bushing—Governor Shaft		617 **†	270344	676	396548	Deflector—Muffler
562	92613	Bolt—Carriage Governor		618	262035	676A	393760	Deflector—Muffler
575	396291	Switch—Ignition		618A	260870	681	490890	Valve Assy.—Needle
587	220162	Clip—Shield Grounding				720	93474	Pin—Gear to Shaft
592	231082	Nut—Hex				721	221779	Stop—Drive Shaft
592A	93991	Nut—Hex. # 10-24				725	223725	Shield—Heat
601	93053	Clamp—Hose				725A	224451	Shield—Heat
608		Starter Assembly—Rewind (See Chart on Illustrated Page)		620	398637	729	280470	Clip—Wire
						741	261533	Gear—Timing
						764	398753	Starter Assembly—Vertical Pull
						765	398683	Housing—Vertical Pull Starter
						766	280022	Pulley—Rope (Small)
						767	231048	Pin—Small Rope
						768	395870	Pulley (7/16" long)
						768	395870	Pulley and Gear Assembly—Starter
						769	66734	Rope—Vertical & Side Pull Starter (48-5/8")
								<b>Note:</b> If longer rope is needed, order No. 280399 and cut to required length.

\*\* Included in Carburetor Gasket Set—Part No. 398183

† Included in Carburetor Overhaul Kit—See Ref. 121

# 114700 to 114799

REF. NO.	PART NO.	DESCRIPTION	REF. NO.	PART NO.	DESCRIPTION	REF. NO.	PART NO.	DESCRIPTION
771	299961	Clip—Vertical Pull Starter	869	211172	Seal—Intake Valve (Standard) (Used After Code Date 88073100.)	949B	280571	Cover—Finger Gard Used on Type Nos. 3029, 3030, 3031, 3033, 3036, 3047.
774	280121	Insert—Starter Handle			<b>Note:</b> 210879 Seal—Intake Valve (Used Before Code Date 88080100.)			<b>Note:</b> 280511 Cover—Finger Gard Used On Type Nos. 0160, 0167, 0168, 0171.
775	280036	Grip—Starter Rope	870	211291	Seat—Exhaust Valve (Standard)	949C	398833	Guard Group—Debris
776	222049	Guide—Rope	871	262001	Guide—Exhaust Valve	955	231373	Screw—Bowl Mtg.
777	390066	Spring—Vertical Pull Starter			<b>Note:</b> 63709 Guide—Intake Valve	955A	231534	Retainer—Needle Valve
778	280021	Cover—Vertical Pull			<b>See Repair Instruction Manual.</b>	957	397974	Cap Assembly—Fuel
782	‡280038	Gear—Electric Starter Spur	883	270774	Gasket—Muffler	958	399517	Valve—Fuel Shut-Off
783	‡261606	Gear—Electric Starter Pinion	901	398368	Bracket—Bell Crank	959	399937	Bracket—Fuel Tank
784	‡223123	Cover—Electric Starter Clutch Gear	901A	398368	Bracket—Bell Crank (Used Before Code Date 87020900.)	960	399938	Bracket—Fuel Tank
785	‡271457	Gasket—Electric Starter Clutch Gear Cover	902	280271	Grommet—Screen	961	93032	Screw—Tank Mounting
789	397637	Harness—Wiring Used on Engines With Band Brake	922	261647	Spring—Band Brake	961A	93847	Screw—Tank Mounting
801	398244	Motor Output End Cover and Mounting Bracket	923	394867	Brake Assembly—Band	961B	93980	Screw—Tank Mounting
		<b>Note:</b> 490301 Motor Output End Cover and Mounting Bracket Used on Type No. 3031.	923	394867	Pivot—Band Brake	966	399059	Base—Air Cleaner
802	396061	Cap Assembly—End	933A	223278	Spacer			<b>Note:</b> 399038 Base—Air Cleaner
803	396059	Housing—Starter	934	94037	Screw—Machine			Used on Type Nos. 0020, 0035, 0036, 0120, 0131, 0135, 0162, 0164, 0166, 3020, 3035, 3038.
832	399637	Guard Group—Muffler	935	398758	Switch Group	967	397795	Filter—Air
842	270920	Seal—Filler Cap	937	‡280366	Spline—Starter	968	280501	Cover—Air Cleaner
847	398010	Filler Group—Oil Used on Model 114702 and 114782 Series. Except when Listed Under Note.	938	‡93941	Ring—Retainer	969	94173	Screw—Cover Mounting
		<b>Note:</b> 399030 Filler Group—Oil Used on Type Nos. 0020, 0035, 0036, 0120, 0131, 0135, 0162, 0164, 0166, 3020, 3038.	941	280395	Cover—Linkage	970	94118	Screw—Hex Head
		398031 Filler Group—Oil Used on Type Nos. 0146, 0147, 0149, 0155, 0160, 0162, 0167, 0168, 0171, 0175, 3029, 3030, 3031, 3033, 3034, 3036, 3047.	942	493248	Control Plate—Band Brake	971	94121	Screw—Air Cleaner
851	221798	Terminal—Ignition Cable			<b>Note:</b> 397668 Control Plate—Band Brake Used On Type No. 3030.	971A	94256	Screw—Air Cleaner
852	396397	Cleaner Group—Air			398759 Control Plate—Band Brake Used On Type No. 3031.	972		Tank Assembly—Fuel
					493249 Control Plate—Band Brake Used on Model 114707 and 114787 Series Except As Listed Above			<b>See Chart on Illustrated Pages.</b>
			946	396526	Rope Guide Kit	972A		Tank Assembly—Fuel
			946A	223294	Rope Stop			<b>See Chart on Illustrated Pages.</b>
			948	397803	Wire Assembly	972B	490809	Tank Assembly—Fuel Used on Type Nos. 0168, 3029, 3030, 3031.
			949	280502	Cover—Finger Gard (Rewind)	973	94114	Screw—Hex Head
			949A	280510	Cover—Finger Gard (Vertical Pull)	975	398191	Bowl Assy.—Carburetor
						977	490937	Gasket Set—Carburetor
						985	398525	Insulator Assembly
						988	223600	Bracket—Muffler
						991	399039	Pre-Filter Assembly

‡ Included in Starter Drive Kit—Part No. 395727

