

**114900 to 114999**

# Illustrated Parts List

## Model Series

# 114900 to 114999

## NON-COMPLIANCE

### TYPE NUMBERS

0015 through 0054

0101 through 0156

0168 through 0183

## COMPLIANCE

### TYPE NUMBERS

3015, 3016,

3050, 3051,

3111 through 3156

### TO FIND

**THE CORRECT NUMBER OF THE PART YOU NEED:**

**FOLLOW THE INSTRUCTIONS BELOW**

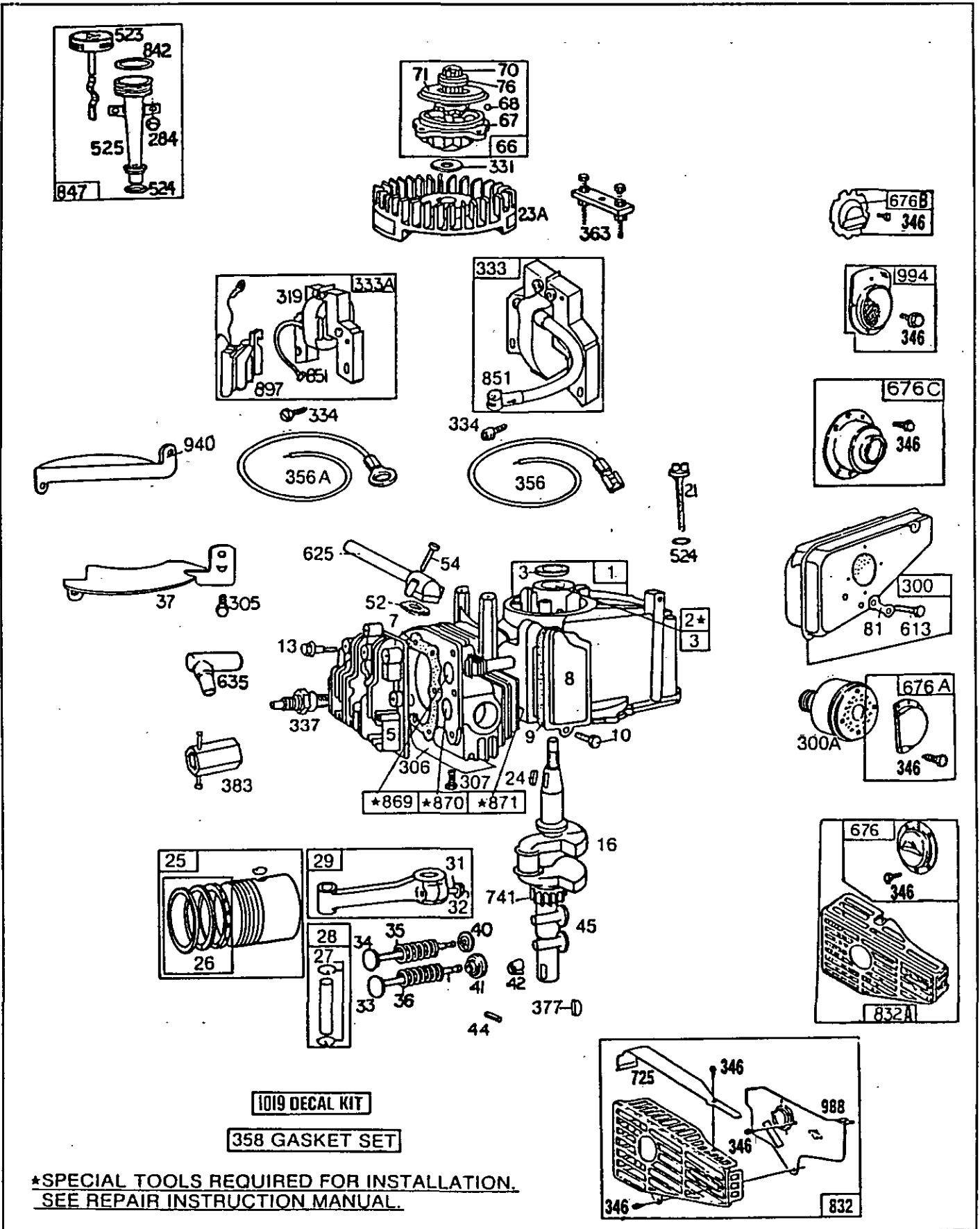
- A. Refer to Engine Model, Type and Code Number that is stamped on the blower housing of engine. Engine type numbers such as 012301 are listed herein only as 0123. The two digits (01 or 02, etc.) to the right of the space are not needed for parts identification. Then use the Illustrated Parts List covering the Model Series.
- B. Refer to Illustrated Parts section and compare the old part with illustration. The number on the illustration is the Reference Number. Assemblies include all parts shown in frames. All parts shown in assembly frames on which individual reference numbers are given can be purchased separately.
- C. After the Reference Number has been identified, refer to the Numerical Parts List, where Reference and Master Part Number are listed. **THE MASTER PART IS USED ON ALL TYPE NUMBERS EXCEPT THOSE TYPE NUMBERS UNDER "NOTE"**.
- D. If a "Note" appears below the Master Part Number, this means that this part differs from the Master Part for certain types. If the Type number is listed under "Note", order the part referred to.
- E. If the Engine Type-Number does not appear after any part number listed under "Note", use the Master Part Number.
- F. For Type Numbers higher than those covered by this book, please refer to the factory if you are unable to identify the part by comparison.

PRINTED IN U.S.A.

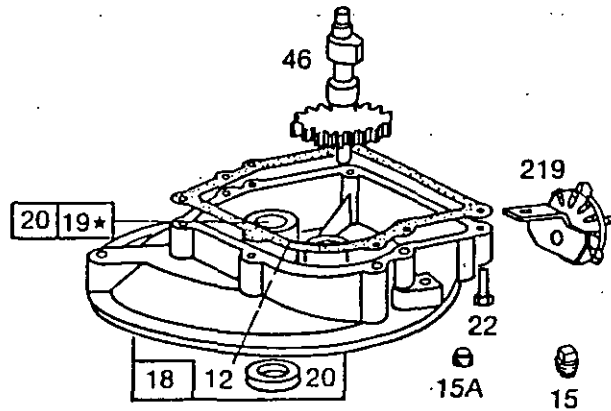
COPYRIGHT®



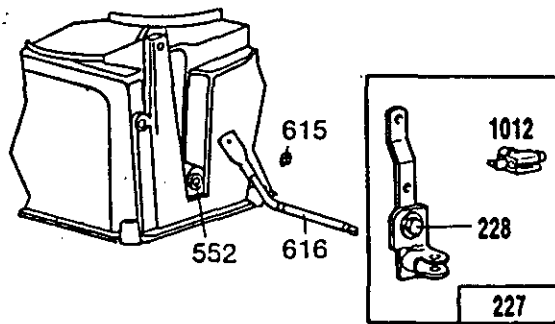
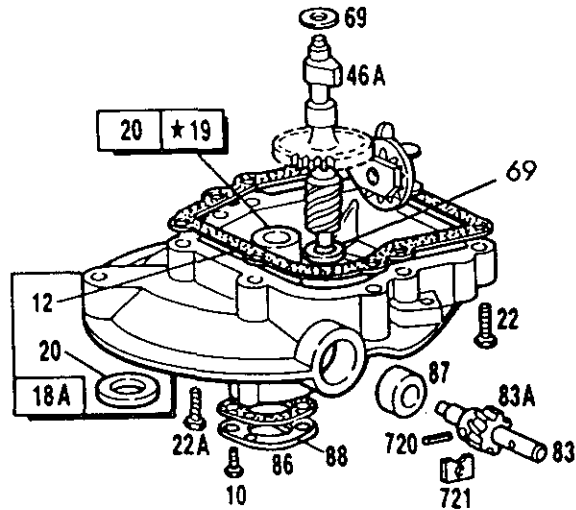
# 114900 to 114999



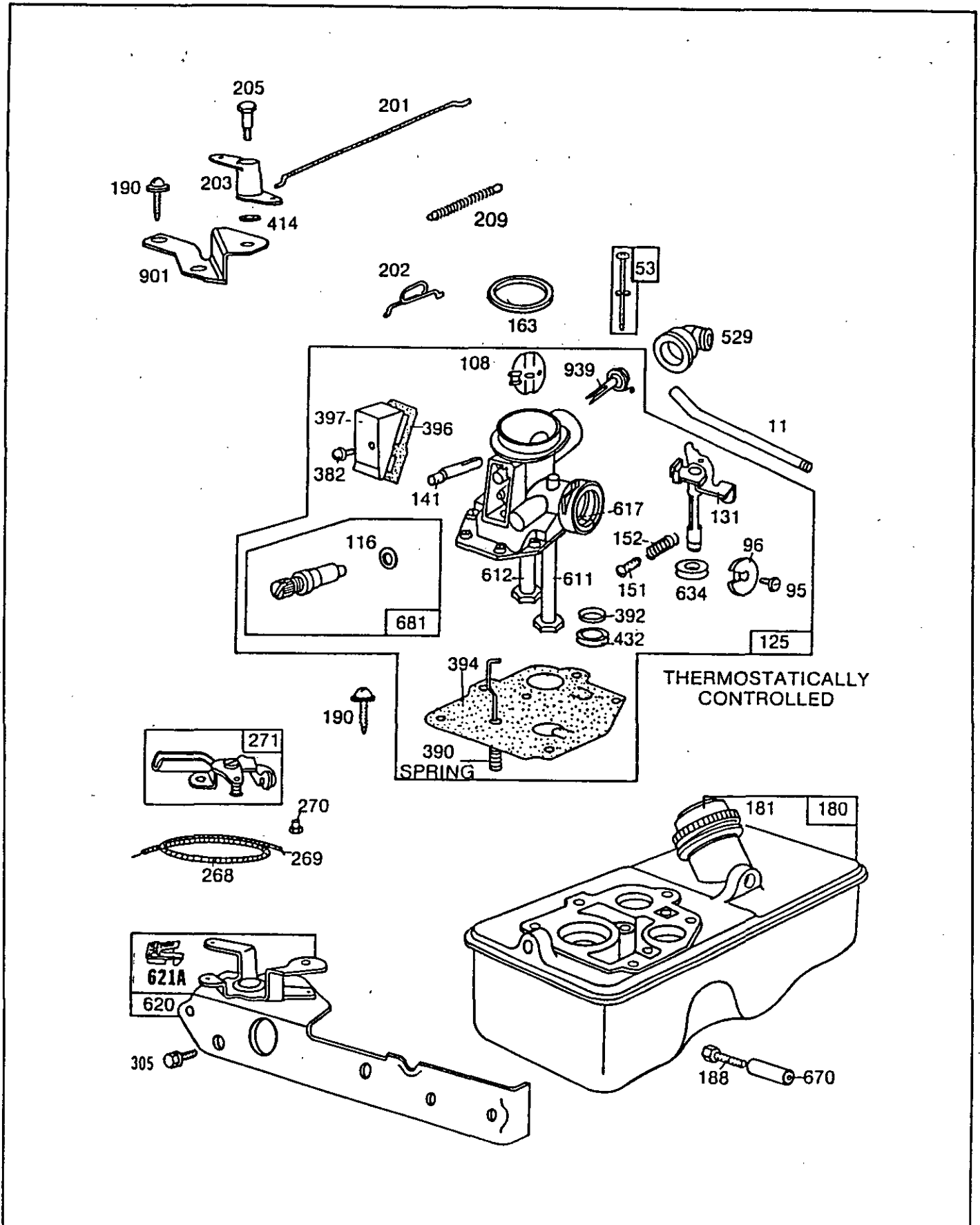
Sump assemblies illustrated on this page DO NOT include an oil filler opening.



\*SPECIAL TOOLS REQUIRED TO INSTALL.  
SEE REPAIR INSTRUCTION MANUAL.



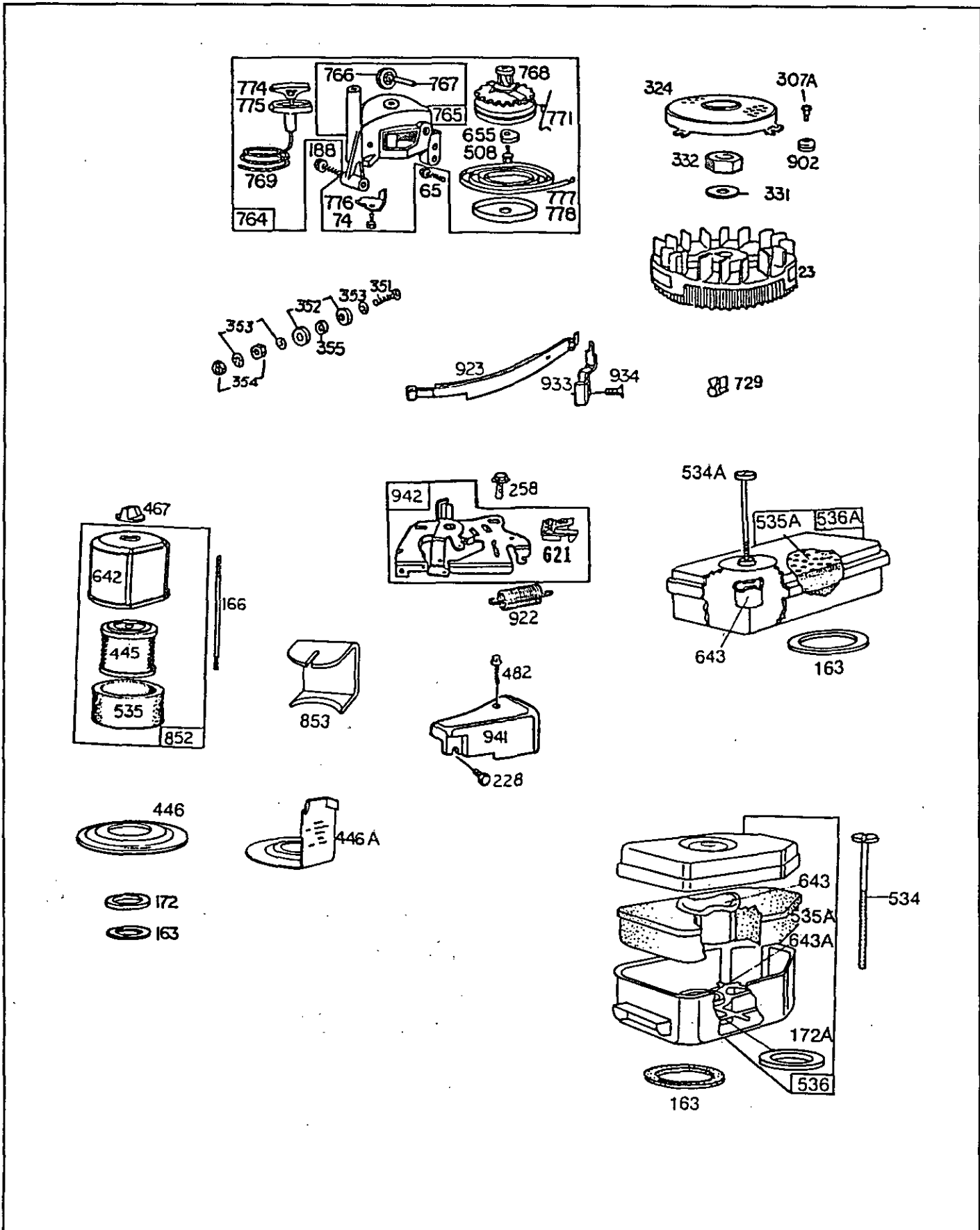
# 114900 to 114999



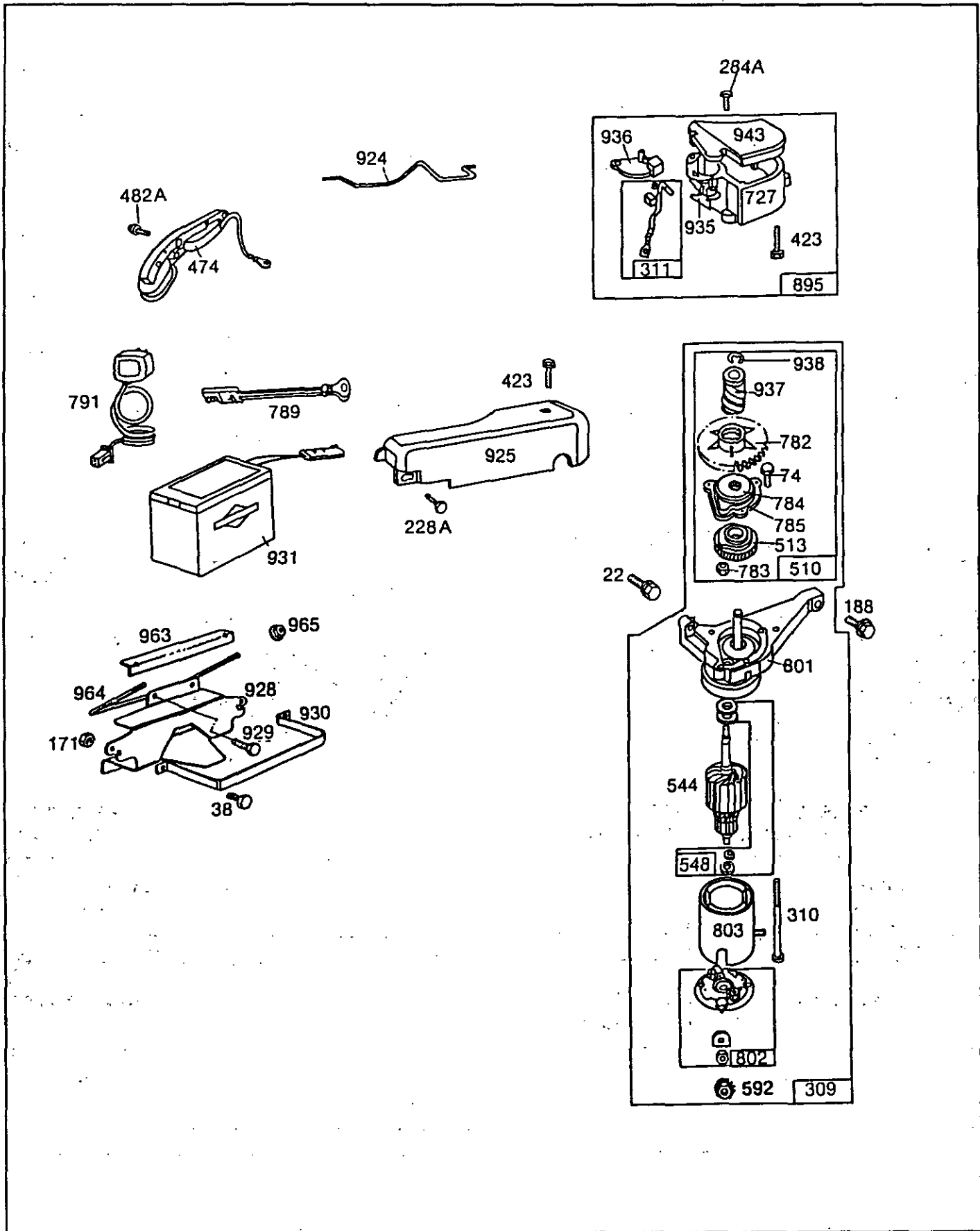
8178-3

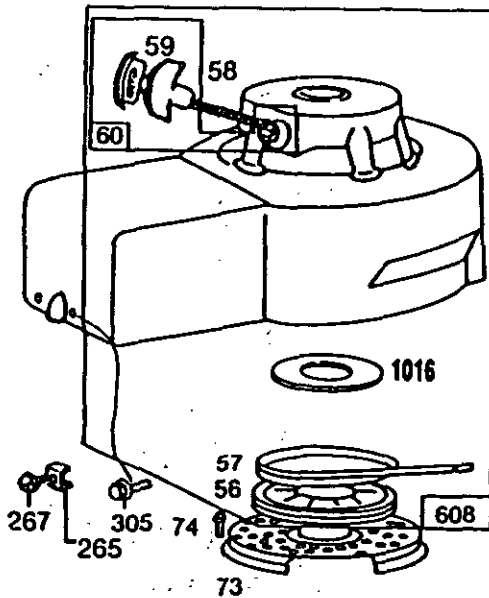
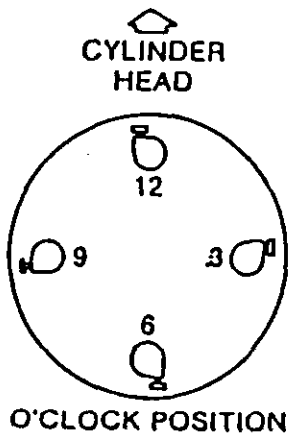
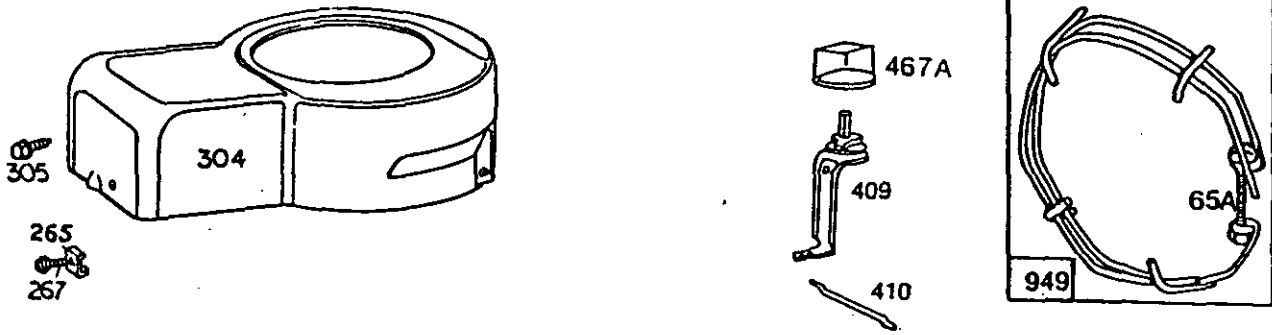
Assemblies include all parts shown in frames.

77



# 114900 to 114999





**REWIND STARTER ASSEMBLIES FOR NON-BAND BRAKE ENGINES**

CLOCK POSITIONS				
1:30	3	6	9	12
396090	396468	396794	398780	396411

**REWIND STARTER ASSEMBLIES FOR BAND BRAKE ENGINES**

CLOCK POSITIONS				
1:30	3	6	9	12
		396413*	397824	396017

\*See Text for Specials — Ref. 608

# 114900 to 114999

REF. NO.	PART NO.	DESCRIPTION	REF. NO.	PART NO.	DESCRIPTION	REF. NO.	PART NO.	DESCRIPTION	
1	399166	Cylinder Assembly (Used after Code Date 85051000) <b>Note:</b> 396405 Cylinder Assy. (Used before Code Date 85051100)		396048	Crankshaft Used on Type No. 0155.			0149, 0150, 0151, 0152, 0156, 0168, 0169, 0172, 0175, 0176, 0177, 0179, 0181, 0183.	
2	231271	Bushing—Cylinder <b>Note:</b> Requires special tools for installation.		396228	Crankshaft Used on Type Nos. 0168, 0169.			394066 Flywheel—Magneto Used on Type Nos. 0051, 0052, 0155.	
3	299819	Seal—Oil		397050	Crankshaft Used on Type Nos. 0027, 0135, 0136, 0142, 3016, 3112, 3130, 3133, 3140.	23A	395653	Flywheel—Magneto	
5	211851	Head—Cylinder		397231	Crankshaft Used on Type Nos. 0016, 0052, 0140, 0150, 0156.	24	222698	Key—Flywheel	
7	*270836	Gasket—Cylinder Hd.		398931	Crankshaft Used on Type Nos. 3050, 3051.	25	396455	Piston Assy.—Standard	
8	298383	Breather—Valve Chamber	18	395384	Sump—Engine		396456	Piston Assy.—.010" O.S.	
9	*270239	Gasket—Valve Cover	18A	395390	Sump—Engine Used on Model 114982 to 114988 Series.		396457	Piston Assy.—.020" O.S.	
10	93394	Screw—Breather and P.T.O. Gear Sump Cover (Ref. No. 86) Mounting Sem	19	293709	Bushing—Engine Sump <b>Note:</b> Requires special tools for installation.		396458	Piston Assy.—.030" O.S.	
11	231292	Tube—Breather	20	391483	Seal—Oil	<b>MODEL 114900 SERIES PISTON RING SETS:</b>			
12	*270833	Gasket—Oil Sump—.015" thick (Standard)	21	280485	Gage—Oil Filler Plug (Used after Code Date 85051000) <b>Note:</b> 280381 Gage—Oil Filler Plug (Used before Code Date 85051100)	26	396459	Ring Set—Std. Piston	
	*270895	Gasket—Oil Sump—.005" thick		22	93032	27	26026	Ring Set—.010" O.S. Piston	
	*270896	Gasket—Oil Sump—.009" thick		22A	93415	28	391649	Ring Set—.020" O.S. Piston	
13	93111	Screw—Cylinder Hd. (1-15/16" long) <b>Note:</b> 93772 Stud—Cyl. Hd. 22963 Washer Used on Type No. 3140.					394861	Ring Set—.030" O.S. Piston	
15	91084	Plug—Oil Drain				29	391640	Ring Set—Piston Pin	
15A	93418	Plug—Oil Drain (Socket Head) To Replace Crankshaft Gear Pin, Order Part No. 230978.					394861	Pin Assembly—Piston—Standard	
16	397230	Crankshaft <b>Note:</b> 394881 Crankshaft Used on Type Nos. 0018, 0172, 0175. 396045 Crankshaft Used on Type Nos. 0178, 3113, 3147. 396046 Crankshaft Used on Type Nos. 0029, 0054, 0131, 0132, 0139, 0147, 0171, 3114, 3134, 3153.					394861	Pin Assembly—Piston—.005" O.S.	
							29	391640	Rod Assembly—Connecting <b>Note:</b> For Connecting Rod with .020" undersize Crankpin Bearing—Order No. 393710.
							31	222282	Washer—Flat (One for Each Screw)
							32	93670	Screw—Connecting Rod
							33	261912	Valve—Exhaust <b>Note:</b> 212004 Valve—Exhaust Used on Type Nos. 3145, 3146, 3148.
							34	261233	Valve—Intake
							35	260552	Spring—Intake Valve
							36	26826	Spring—Exhaust Valve <b>Note:</b> 26478 Spring—Exhaust Valve Used on Type Nos. 3145, 3146, 3148.
							37	223150	Guard—Flywheel
							38	93777	Screw—Sem
							40	93312	Retainer—Intake Valve Spring Used with valves with groove in stem.

\*Included in Gasket Set—  
Part No. 391662.

†Included in Starter Drive  
Kit—Part No. 395727.



# 114900 to 114999

REF. NO.	PART NO.	DESCRIPTION	REF. NO.	PART NO.	DESCRIPTION	REF. NO.	PART NO.	DESCRIPTION
41	292259	Rotocap—Exhaust Valve		<b>Note:</b> 68938	Washer—Thrust	151	93524	Screw—Rd. Hd.—
42	230127	Retainer—Exhaust Valve			Used on Auxiliary Drive			5-40 x 1/2
		Rotocap			P.T.O. Camshaft and is	152	260746	Spring—Throttle Adj.
		<b>Note:</b> 93312 Retainer—			located next to the	163	271139	Gasket—Air Cleaner
		Exhaust Valve Spring			Worm Gear.			Mounting
		Used on Type Nos.	70	298436	Ratchet—Rewind Starter	166	231332	Stud—Air Cleaner
		3145, 3146, 3148.	71	394506	Washer—Clutch			(Used after Code Date
44	230126	Pin—Exhaust Valve			Retainer			83111404.)
		Rotocap Retainer			(Rubber Coated)			<b>Note:</b> 231311 Stud—Air
45	261250	Tappet—Valve			<b>Note:</b> 221653 Washer—Clutch			Cleaner
46	395856	Gear—Cam			Retainer (Non-Coated)			(Used before Code Date
46A	396052	Cam Gear, Worm and	73	221661	Screen—Starter Pulley			83111504.)
		Oil Slinger Assembly	74	93490	Screw—Sem	171	93203	Nut—Hex
		(Clockwise Rotation)	76	68238	Washer—Ratchet	172	271077	Gasket—Air Cleaner
		<b>Note:</b> 396064 Cam Gear, Worm			Sealing	172A	271273	Gasket—Air Cleaner
		and Oil Slinger Assy.	81	223256	Lock—Muffler Screw	180	396781	Tank Assembly—Fuel
		(Counterclockwise)	83	230831	Shaft—Drive	181	391494	Cap—Fuel Tank
		Used on Type Nos.			<b>Note:</b> 230870 Shaft—Drive			(Chrome)
		0051, 0133, 0138,			Used on Type Nos.	188	94102	Screw—Fuel Tank and
		0148, 0154, 0169,			3145, 3146.			Starter Mounting
		0176, 0181, 3051,			<b>230921</b> Shaft—Drive	190	93440	Screw—Fuel Tank Mtg.
		3123, 3126, 3138,			Used on Type No.	201	261918	Link—Governor
		3151, 3155.			0176.	202	261897	Link—Throttle
52	*270844	Gasket—Intake Elbow			<b>230948</b> Shaft—Drive	203	280272	Bell Crank
53	391982	Screw—Tank to			Used on Type Nos.	205	231520	Screw—Shoulder
		Carburetor			0133, 0148, 0154,			(Used after Code Date
54	93485	Screw—Intake Elbow			3051, 3138, 3155.			86112300.)
		Mounting	83A	231278	Gear—Drive			<b>Note:</b> 93838 Screw—
56	280117	Pulley—Starter			<b>Note:</b> 231279 Gear—Drive			Shoulder
57	490179	Spring—Rewind Starter			Used on Type Nos.			(Used before Code Date
58	280406	Rope—Rewind Starter—			0051, 0133, 0138,			86112400.)
		81" long			0148, 0154, 0169,	209	261936	Spring—Governor
		<b>Note:</b> If longer rope is needed,			0176, 0181, 3051,			<b>Note:</b> 261926 Spring—
		Order No. 395883 and			3123, 3126, 3138,			Governor
		cut to required length.			3151, 3155.			Used on Type Nos.
		Order 66734 for 48-5/8"	86	221780	Cover—Sump			0134, 0168, 0169,
		long rope.	87	391484	Seal—Oil			0170, 3135.
59	396892	Insert—Starter Grip			<b>270328</b> Gasket—Sump Cover			<b>261927</b> Spring—
60	393152	Grip—Starter Rope			<b>93499</b> Screw—Throttle Valve			Governor
65	93587	Screw—Vertical Pull			Mounting Sem			Used on Type Nos.
		Starter Mounting	96	211237	Valve—Throttle			0054, 0132, 0135,
65A	94124	Screw—Guard Retaining	108	280429	Valve—Choke			0139, 0141, 0142,
66	399671	Clutch Assembly—			<b>Note:</b> 280370 Valve—Choke			0143, 0147, 0149,
		Rewind Starter			Used on Type Nos.			0151, 0152, 0154,
		(Uses Rubber Coated			3142, 3143.			0155, 0171, 0176,
		Retainer Washer—	116	280203	O-Ring			0178, 0179, 0182,
		Ref. 71)	125	397180	Carburetor Assembly			3132, 3151, 3156.
		<b>Note:</b> 394558 Clutch Assy.—			Used after Code Date			<b>261935</b> Spring—
		Rewind Starter			83111404.			Governor
		(Uses Non-Coated			<b>Note:</b> 396336 Carburetor Assy.			Used on Type Nos.
		Retainer Washer—			Used on Type Nos.			0051, 0052, 0177,
		Ref. 71)			3142, 3143.			3140, 3145, 3146,
67	394897	Housing—Starter Clutch			<b>396586</b> Carburetor Assy.			3147, 3148, 3153.
68	63770	Ball—Clutch			Used before Code Date			
69	66874	Washer—Thrust			83111504.			
			131	394035	Shaft and Lever—			
					Throttle			
			141	68908	Shaft—Choke			

\*Included in Gasket Set—  
Part No. 391662.

†Included in Starter Drive  
Kit— Part No. 395727.

# 114900 to 114999

REF. NO.	PART NO.	DESCRIPTION	REF. NO.	PART NO.	DESCRIPTION	REF. NO.	PART NO.	DESCRIPTION
		<b>261938</b> Spring—Governor Used on Type Nos. 0133, 0136, 0148, 0150, 3130, 3133, 3136, 3139, 3141, 3142, 3143, 3144, 3150.		<b>Note:</b>	<b>223287</b> Housing—Blower Used on Type Nos. 0015, 0016, 0017, 0018, 0051, 0052, 0117, 0137, 0138, 0140, 0141, 0143, 0144, 0145, 0146, 0149, 0150, 0151, 0152, 0155, 0168, 0169, 0172, 0175, 0176, 0177, 0179, 0181, 0183.		<b>Note:</b>	<b>396585</b> Wire—Ground (Dual Wire, cut to suit) Used on Type Nos. 0015, 0016, 0018, 0025, 0027, 0029.
<b>219</b>	<b>394044</b>	Oil Slinger Assembly	<b>305</b>	<b>94153</b>	Screw—Sem	<b>358</b>	<b>391662</b>	Gasket Set
<b>227</b>	<b>396504</b>	Lever Assembly Governor	<b>306</b>	<b>223263</b>	Shield—Cylinder	<b>363</b>	<b>19069</b>	Puller—Flywheel (Optional Accessory)
<b>228</b>	<b>93758</b>	Screw—Hex Head	<b>307</b>	<b>93490</b>	Screw—Sem	<b>377</b>	<b>93065</b>	Key—Woodruff No. 6
<b>228A</b>	<b>93490</b>	Screw—Hex Head	<b>307A</b>	<b>93926</b>	Screw—Hex Head	<b>382</b>	<b>93545</b>	Screw—Choke Link Cover
<b>258</b>	<b>94018</b>	Screw—Hex Head	<b>309</b>	<b>395852</b>	Motor—Starter (6 Volt)	<b>383</b>	<b>89838</b>	Wrench—Spark Plug
<b>265</b>	<b>22372</b>	Clamp—Casing	<b>310</b>	<b>94051</b>	Bolt—Starter Motor	<b>390</b>	<b>261249</b>	Spring—Diaphragm
<b>267</b>	<b>93469</b>	Screw—Clamp Mtg.	<b>311</b>	<b>395728</b>	Brush Kit—Starter Motor	<b>392</b>	<b>260455</b>	Spring—Fuel Pump Diaphragm
<b>268</b>	<b>66986</b>	Casing—Control Wire—48" long <b>Note:</b> If longer casing is needed, specify length in inches; if a shorter casing is needed, order No. <b>66986</b> and cut to required length.	<b>319</b>	<b>395488</b>	Armature Assembly (Less Trigger Coil)	<b>394</b>	<b>391643</b>	Diaphragm—Carburetor
<b>269</b>	<b>26099</b>	Wire Control, 54" long <b>Note:</b> If longer wire is needed, specify length in inches; if shorter wire is needed, order No. <b>26099</b> and cut to required length.	<b>324</b>	<b>223006</b>	Screen—Rotating	<b>396</b>	<b>270571</b>	Gasket—Choke Link Cover
<b>270</b>	<b>63426</b>	Locknut—Control Wire Casing	<b>331</b>	<b>223047</b>	Washer—Flywheel	<b>397</b>	<b>211678</b>	Cover—Choke Link
<b>271</b>	<b>290568</b>	Lever Assembly—Control	<b>332</b>	<b>92284</b>	Nut—Flywheel	<b>409</b>	<b>391590</b>	Control—Dial
<b>284</b>	<b>94073</b>	Screw—Clamp Mounting	<b>333</b>	<b>397316</b>	Armature—Magneto	<b>410</b>	<b>260993</b>	Link—Control
<b>284A</b>	<b>93892</b>	Screw—Hex. Hd.	<b>333A</b>	<b>395489</b>	Armature—Magneto	<b>414</b>	<b>223932</b>	Washer (Used after Code Date 86112300.)
<b>300</b>	<b>394644</b>	Muffler—Exhaust	<b>334</b>	<b>93381</b>	Screw—Armature Mounting Sem	<b>Note:</b>	<b>220982</b> Washer (Used before Code Date: 86112400.)	
<b>300A</b>	<b>394569</b>	Muffler—Exhaust	<b>337</b>	<b>298809</b>	Plug—Spark (with Gasket) 1-1/2" high—(37-42 mm.)	<b>423</b>	<b>94026</b>	Screw—Sem
<b>304</b>	<b>223204</b>	Housing—Blower <b>The Following Blower Housing is Used on Band Brake Engines</b> <b>The Following Blower Housings Are Used on Non-Band Brake Engines</b>	<b>Note:</b>	<b>293918</b> Plug—Spark (with Gasket) 1-1/2" high (Resistor Type)	<b>432</b>	<b>221377</b>	Cap—Spring	
	<b>396412</b>	Housing—Blower	<b>346</b>	<b>93705</b>	Screw—Hex Hd.	<b>445</b>	<b>396424</b>	Cartridge—Air Cleaner
			<b>351</b>	<b>93735</b>	Screw—Terminal	<b>446</b>	<b>222844</b>	Base—Air Cleaner
			<b>352</b>	<b>66068</b>	Washer—Insulating	<b>446A</b>	<b>395642</b>	Base—Air Cleaner
			<b>353</b>	<b>92791</b>	Washer—Lock—Shakeproof (3)	<b>467</b>	<b>212706</b>	Knob—Air Cleaner
			<b>354</b>	<b>90576</b>	Nut—Hex.—8-32 (2)	<b>467A</b>	<b>299858</b>	Knob—Dial Control
			<b>355</b>	<b>66554</b>	Collar—Insulating	<b>474</b>	<b>397880</b>	Stator Assy.—Alternator
			<b>356</b>	<b>398808</b>	Wire—Ground Used with Armature—Ref. 333 Only.	<b>482</b>	<b>93621</b>	Screw—Sem
			<b>356A</b>	<b>298693</b>	Wire—Ground (30" long, cut to suit) All Wires Listed Are Used with Armature—Ref. 333A Only.	<b>482A</b>	<b>94016</b>	Screw—Hex. Hd.
						<b>508</b>	<b>93158</b>	Screw—Sem
						<b>510</b>	<b>395727</b>	Drive Kit—Starter
						<b>513</b>	<b>394815</b>	Clutch Assembly—Electric Starter
						<b>523</b>	<b>396372</b>	Cap with Dipstick—Oil Filler
						<b>524</b>	<b>271485</b>	Seal—Filler Tube
						<b>525</b>	<b>280578</b>	Tube—Oil Filler (Used after Code Date 85051000)
						<b>Note:</b>	<b>280382</b> Tube—Oil Filler (Used before Code Date 85051100)	
						<b>529</b>	<b>280368</b>	Grommet—Breather
						<b>534</b>	<b>93865</b>	Screw—Air Cleaner
						<b>534A</b>	<b>93374</b>	Screw—Air Cleaner

\*Included in Gasket Set—Part No. 391662.

†Included in Starter Drive Kit—Part No. 395727.

# 114900 to 114999

REF. NO.	PART NO.	DESCRIPTION	REF. NO.	PART NO.	DESCRIPTION	REF. NO.	PART NO.	DESCRIPTION
535	271466	Element—Air Cleaner	643	280374	Cup—Air Cleaner	782	†280036	Gear—Electric Starter Spur
535A	270848	Element—Air Cleaner	643A	280342	Support—Air Cleaner Element	783	†261606	Gear—Electric Starter Pinion
536	394738	Cleaner—Assembly—Air	655	222057	Anchor—Spring	784	†223123	Cover—Electric Starter Clutch Gear
536A	391641	Cleaner Assembly—Air	670	94038	Spacer—Fuel Tank Used on Engines with Band Brake	785	†271457	Gasket—Electric Starter Clutch Gear Cover
544	396058	Armature—Starter	<b>Note:</b> 94047 Spacer—Fuel Tank		789	395624	Wiring Harness Assy.—Mower (4-1/2" long)	
548	396067	Washer Set—Starter	676	396548	Deflector—Muffler	791	395569	Charger—Battery (120 Volt)
552	230732	Bushing—Governor Shaft	676A	393760	Deflector—Muffler	801	395851	Motor Output End Cover and Mounting Bracket
592	93991	Nut—Hex.—10-24	676B	393756	Deflector—Muffler	802	396061	Cap Assembly—End
608		Starter Assy.—Rewind See Chart on Page 7	676C	397931	Deflector—Muffler	803	396059	Housing—Starter
	<b>Note:</b>	398806 Starter Assy.—Rewind (6 o'clock) Used on Type No. 3145.	681	395508	Needle Valve Kit	832	399637	Guard Group—Muffler
611	297219	Pipe—Fuel (long)	720	93474	Pin—Gear to Shaft	832A	396313	Guard—Muffler
612	296811	Pipe—Fuel (short)	721	221779	Stop—Drive Shaft	842	270920	Seal—Filler Cap
613	93935	Screw—Muffler Mtg.	725	223725	Shield—Heat	847	399030	Filler Group—Oil (Used after Code Date 85051000)
615	93307	Retainer—E-Ring	727	280336	Cover Base—Electric Starter	<b>Note:</b> 395869 Filler Group—Oil (Used before Code Date 85051100)		
616	394075	Crank—Governor	729	280470	Clip—Wire	851	221798	Terminal—Ignition Cable
617	270344	Seal—Fuel Intake Tube	741	261533	Gear—Timing	852	396397	Cleaner Group—Air
620	394642	Plate—Carburetor Control	764	395874	Starter Assembly—Vertical Pull (81" Rope)	853	394850	Bracket—Air Cleaner
	<b>Note:</b>	394882 Plate—Carburetor Control Used on Type Nos. 0015, 0016, 0018, 0025, 0027, 0029, 0051, 0052, 0132, 0135, 0138, 0143, 0145, 0146, 0147, 0150, 0152, 0153, 0155, 0171, 0178, 0180, 0181, 0183, 3147.	<b>Note:</b> 396082 Starter Assembly—Vertical Pull (48-5/8" Rope)		869	210879	Seat—Intake Valve (Standard)	
621	396847	Switch—Stop (Used after Code Date 84030100)	765	395914	Housing—Vertical Pull Starter	870	211291	Seat—Exhaust Valve (Standard)
	<b>Note:</b>	297472 Switch—Stop (Used before Code Date 84030200)	766	280022	Pulley—Rope (Small)	<b>Note:</b> For Options, See Repair Manual		
621A	396847	Switch Assembly—Stop (Used after Code Date 85032700)	767	231048	Pin—Small Rope Pulley	871	262001	Guide—Exhaust Valve
	<b>Note:</b>	297472 Switch—Stop (Used before Code Date 85032800)	768	395870	Pulley and Gear Assembly—Starter (81" Rope)	<b>Note:</b> 63709 Guide—Intake Valve See Repair Instruction Manual.		
625	391377	Tube—Fuel Intake	769	280406	Rope—Vertical Pull Starter (81")	895	394767	Switch Group
634	270167	Washer—Throttle Shaft (Felt)	<b>Note:</b> If longer rope is needed, Order No. 280399 and cut to required length.		897	394970	Trigger Coil Assy.	
635	66538	Elbow—Spark Plug	771	299961	Clip—Vertical Pull	901	490818	Bracket—Bell Crank (Used after Code Date 86112300.)
642	223306	Cover—Air Cleaner	774	280121	Insert—Starter Handle	<b>Note:</b> 223004 Bracket—Bell Crank (Used before Code Date 86112400.)		
			775	280036	Grip—Starter Rope	902	280271	Grommet—Screen
			776	222049	Guide—Rope	922	261647	Spring—Brake
			777	390066	Spring—Vertical Pull Starter	923	394867	Brake Assembly—Band
			778	280021	Cover—Vertical Pull Starter Pulley			

\*Included in Gasket Set— Part No. 391662.

†Included in Starter Drive Kit—Part No. 395727.

# 114900 to 114999

REF. NO.	PART NO.	DESCRIPTION	REF. NO.	PART NO.	DESCRIPTION	REF. NO.	PART NO.	DESCRIPTION	
924	261881	Link—Starter Switch	935	223128	Terminal—Switch			<b>Note:</b> 395393 Control Plate—Band Brake (Used before Code Date 84030200)	
925	280363	Cover—Linkage	936	280338	Actuator—Switch				
928	223162	Bracket—Battery	937	†280366	Spline—Starter				
929	93980	Screw—Sem	938	† 93941	Ring—Retainer				
930	223161	Bracket Support—Battery	939	395665	Shaft Assembly—Choke	943	280322		Cover Top—Electric Starter
931	395559	Battery (6 Volt)	940	222403	Guard—Flywheel	949	396579		Guard—Rewind Starter
933	223187	Pivot—Band Brake	941	280395	Cover—Linkage	963	223502		Strap
934	94037	Screw—Band Brake Pivot	942	397668	Control Plate—Band Brake	964	94107		Bolt—U
						965	94108		Nut
						988	223600		Bracket—Muffler
						994	398067	Arrester—Spark	
						1012	280414	Retainer—Link	
						1016	490817	Spacer	
						1019	491099	Decal Kit	

†Included in Starter Drive Kit—Part No. 395727.