

**114900 to 114999**

# Illustrated Parts List

Model Series

**114900 to 114999**

**NON-COMPLIANCE**

TYPE NUMBERS  
0015 through 0054  
0101 through 0156  
0168 through 0179

**TO FIND**

**THE CORRECT NUMBER OF THE PART YOU NEED:**

**FOLLOW THE INSTRUCTIONS BELOW**

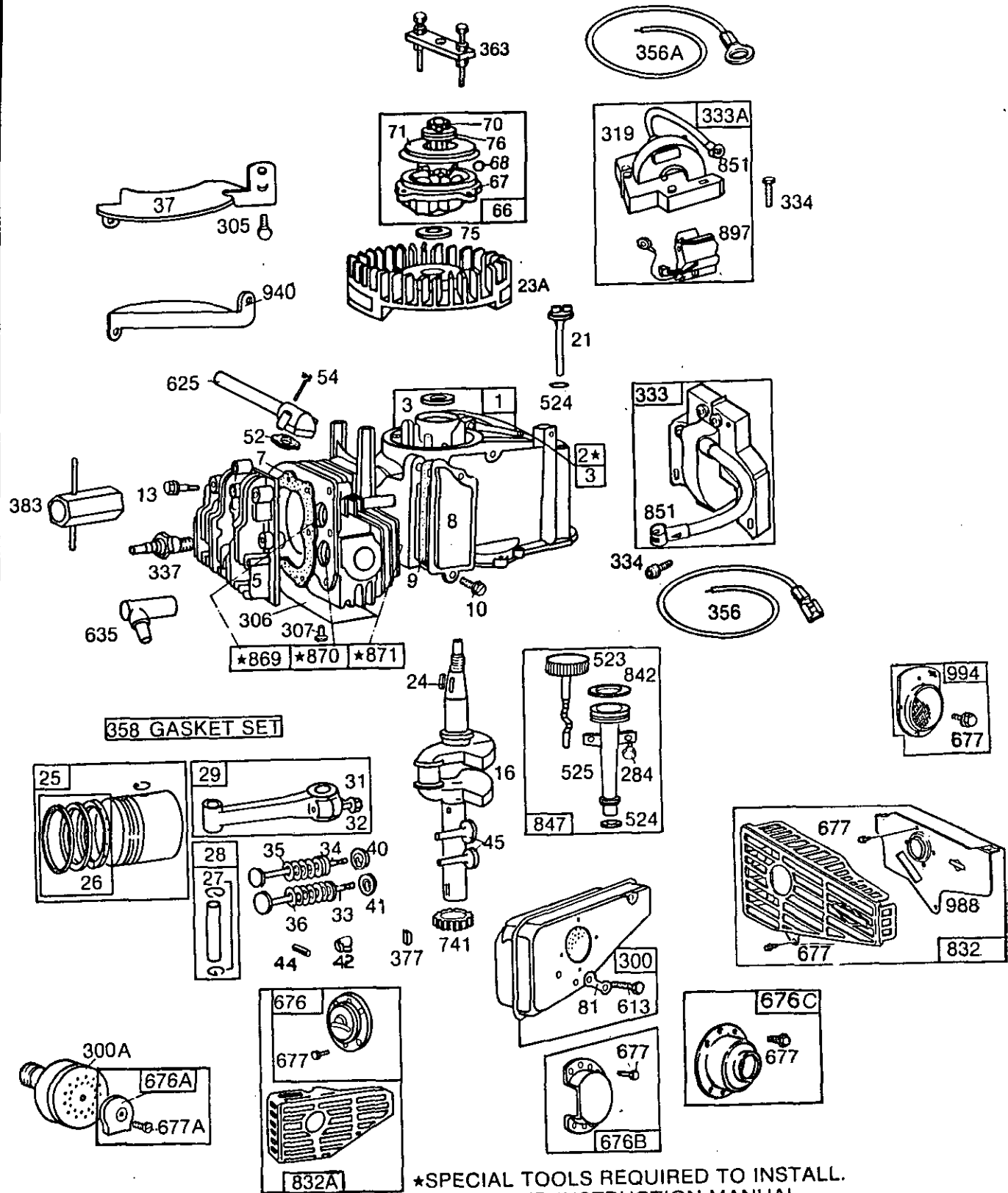
- A. Refer to Engine Model, Type and Code Number that is stamped on the blower housing of engine. Engine type numbers such as 012301 are listed herein only as 0123. The two digits (01 or 02, etc.) to the right of the space are not needed for parts identification. Then use the Illustrated Parts List covering the Model Series.
- B. Refer to Illustrated Parts section and compare the old part with illustration. The number on the illustration is the Reference Number. Assemblies include all parts shown in frames. All parts shown in assembly frames on which individual reference numbers are given can be purchased separately.
- C. After the Reference Number has been identified, refer to the Numerical Parts List, where Reference and Master Part Number are listed. **THE MASTER PART IS USED ON ALL TYPE NUMBERS EXCEPT THOSE TYPE NUMBERS UNDER "NOTE"**.
- D. If a "Note" appears below the Master Part Number, this means that this part differs from the Master Part for certain types. If the Type number is listed under "Note", order the part referred to.
- E. If the Engine Type Number does not appear after any part number listed under "Note", use the Master Part Number.
- F. For Type Numbers higher than those covered by this book, please refer to the factory if you are unable to identify the part by comparison.

PRINTED IN U.S.A.



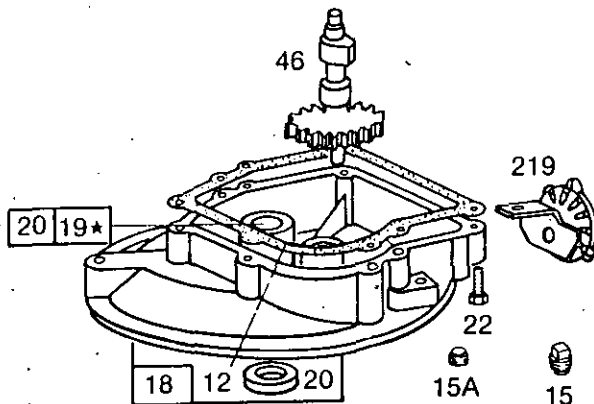
COPYRIGHT ©

# 114900 to 114999

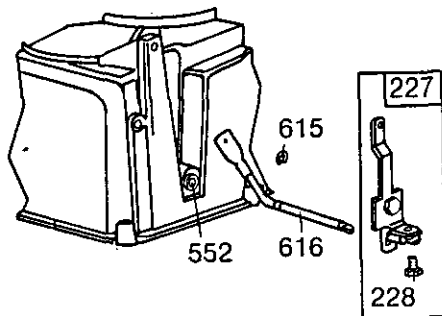
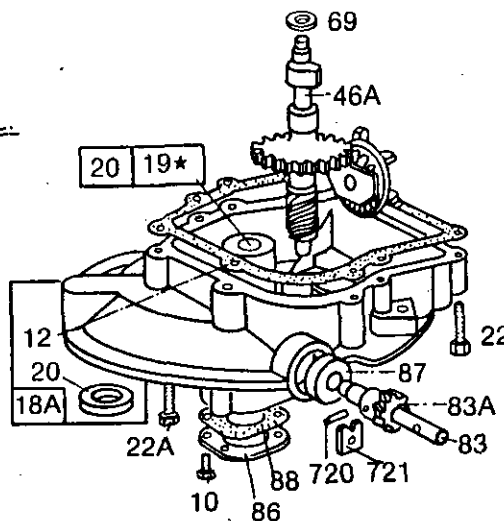


\*SPECIAL TOOLS REQUIRED TO INSTALL.  
 SEE REPAIR INSTRUCTION MANUAL.

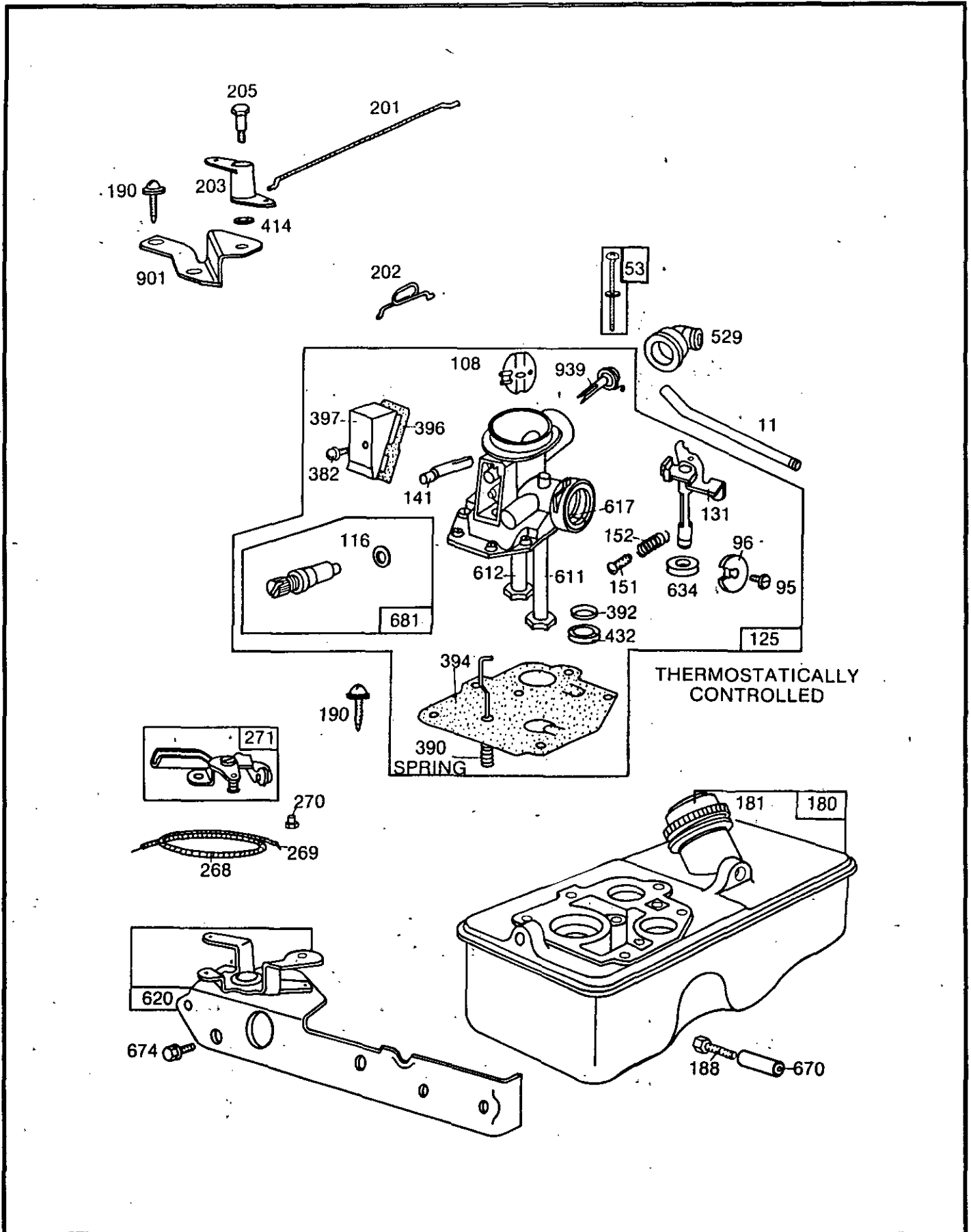
Sump assemblies illustrated on this page DO NOT include an oil filler opening.

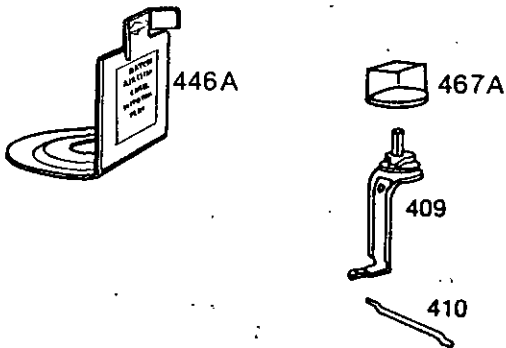
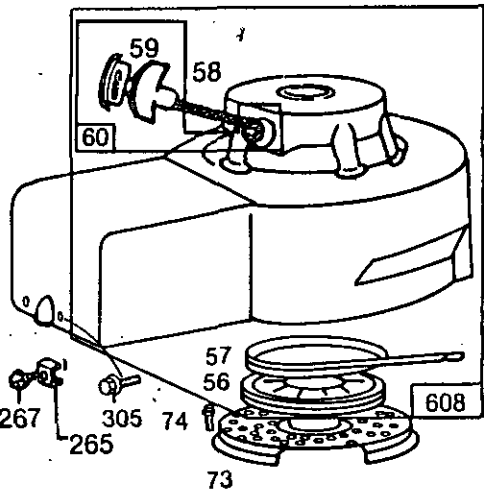
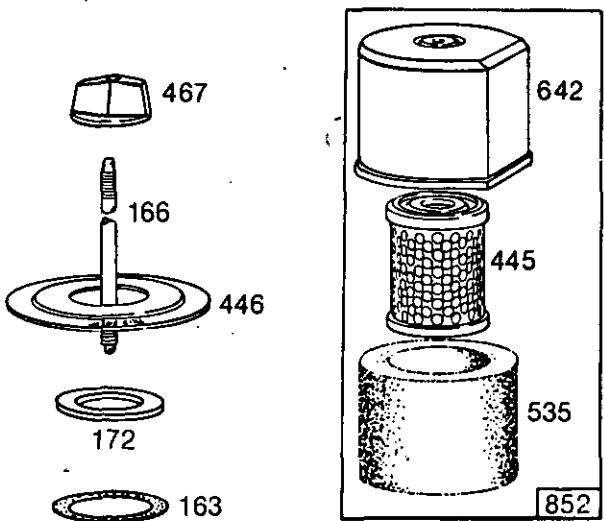
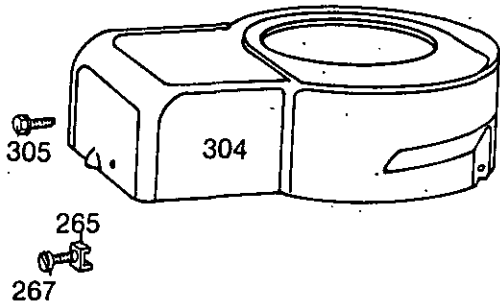
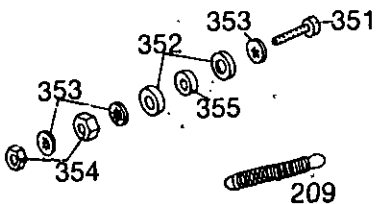
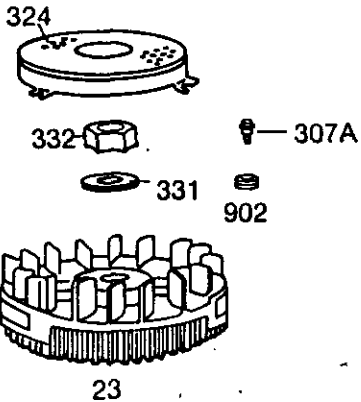
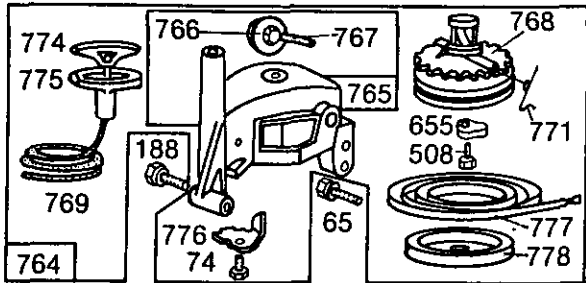


★SPECIAL TOOLS REQUIRED TO INSTALL.  
SEE REPAIR INSTRUCTION MANUAL.



# 114900 to 114999





# 114900 to 114999

REF. NO.	PART NO.	DESCRIPTION	REF. NO.	PART NO.	DESCRIPTION	REF. NO.	PART NO.	DESCRIPTION
1	399166	Cylinder Assembly (Used after Code Date 85051000.) <b>Note:</b> 396405 Cylinder Assy. (Used before Code Date 85051100.)	18	395384	Base—Engine	<b>MODEL 114900 SERIES PISTON RING SETS:</b>		
2	231271	Bushing—Cylinder <b>Note:</b> Requires special tools for installation.	18A	395390	Base—Engine Used on Model 114982 to 114988 Series.			<b>Note:</b> For Chrome Piston Ring Set—standard size—order Part No. 392330.
3	299819	Seal—Oil	19	293709	Bushing—Engine Base <b>Note:</b> Requires special tools for installation.	26	396459	Ring Set—Std. Piston
5	211851	Head—Cylinder	20	391483	Seal—Oil		396460	Ring Set—.010" O.S. Piston
7	*270836	Gasket—Cylinder Hd.	21	280485	Gage—Oil Filler Plug (Used after Code Date 85051000.) <b>Note:</b> 280381 Gage—Oil Plug (Used before Code Date 85051100.)		396461	Ring Set—.020" O.S. Piston
8	298383	Breather—Valve Chamber					396462	Ring Set—.030" O.S. Piston
9	*270239	Gasket—Valve Cover	22	93032	Screw—Mtg. Sem	27	26026	Lock—Piston Pin
10	93394	Screw—Breather and P.T.O. Gear Cover (Ref. No. 86) Mounting Sem	22A	93415	Screw—Sem (One used in Auxiliary Drive Gear Base) on Model 114985 to 114988 Series. <b>Note:</b> Use 93032 Screw in the other (5) Base Mounting Holes	28	391649	Pin Assembly—Piston—Standard
11	231292	Tube—Breather					394861	Pin Assembly—Piston—.005" O.S.
12	*270833	Gasket—Crankcase—.015" thick (Standard)	23	394848	Flywheel—Magneto <b>Note:</b> 393831 Flywheel—Magneto Used on Type Nos. 0027, 0029, 0054, 0132, 0133, 0136, 0139, 0147, 0148, 0171, 0178. 394032 Flywheel—Magneto Used on Type Nos. 0015, 0016, 0018, 0117, 0137, 0138, 0140, 0141, 0143, 0144, 0145, 0146, 0149, 0150, 0151, 0152, 0156, 0168, 0169, 0172, 0175, 0176, 0177, 0179. 394066 Flywheel—Magneto Used on Type Nos. 0025, 0051, 0155.	29	391640	Rod Assembly—Connecting <b>Note:</b> For Connecting Rod with .020" undersize Crankpin Bearing—Order No. 393710.
	*270895	Gasket—Crankcase—.005" thick				31	222282	Washer—Flat (One for Each Screw)
	*270896	Gasket—Crankcase—.009" thick				32	93670	Screw—Connecting Rod
13	93111	Screw—Cylinder Hd. (1-15/16" long)				33	261912	Valve—Exhaust
15	91084	Plug—Oil Drain				34	261233	Valve—Intake
15A	93418	Plug—Oil Drain (Socket Head)				35	260552	Spring—Intake Valve
16	396012	Crankshaft <b>Note:</b> 394793 Crankshaft Used on Type Nos. 0016, 0140, 0150, 0156. 394881 Crankshaft Used on Type Nos. 0018, 0172, 0175. 396044 Crankshaft Used on Type Nos. 0027, 0135, 0136, 0142. 396045 Crankshaft Used on Type No. 0178. 396046 Crankshaft Used on Type Nos. 0029, 0054, 0131, 0132, 0139, 0147, 0171. 396048 Crankshaft Used on Type No. 0155. 396228 Crankshaft Used on Type Nos. 0168, 0169.				36	26826	Spring—Exhaust Valve
						37	223150	Guard—Flywheel
						40	93312	Retainer—Valve Spring Intake Used with valves with groove in stem.
						41	292259	Rotocap—Exhaust Valve
						42	230127	Retainer—Exhaust Valve Rotocap
						44	230126	Pin—Exhaust Valve Rotocap Retainer
						45	261250	Tappet—Valve
						46	395856	Gear—Cam
						46A	396052	Cam Gear, Worm and Oil Slinger Assy. <b>Note:</b> 396064 Cam Gear, Worm and Oil Slinger Assembly Used on Type Nos. 0051, 0133, 0138, 0148, 0154, 0169, 0176.
			23A	395653	Flywheel—Magneto	52	*270844	Gasket—Intake Elbow
			24	222698	Key—Flywheel	53	391982	Screw—Tank to Carburetor
			25	396455	Piston Assy.—Standard	54	93485	Screw—Intake Elbow Mounting
				396456	Piston Assy.—.010" O.S.			
				396457	Piston Assy.—.020" O.S.			
				396458	Piston Assy.—.030" O.S.			

\*Included in Gasket Set—  
Part No. 391662.

# 114900 to 114999

REF. NO.	PART NO.	DESCRIPTION	REF. NO.	PART NO.	DESCRIPTION	REF. NO.	PART NO.	DESCRIPTION
56	280117	Pulley—Starter	125	397180	Carburetor Assembly Used after Code Date 83111404.	265	22372	Clamp—Casing
57	294303	Spring—Rewind Starter				267	93469	Screw—Clamp Mtg.
58	66734	Rope—Rewind Starter— 48-5/8" long				268	66986	Casing—Control Wire—48" long
	<b>Note:</b>	If longer rope is needed, Order No. 395883 and cut to required length.			<b>Note:</b> 396586 Carburetor Assy. Used before Code Date 83111504.			<b>Note:</b> If longer casing is needed, specify length in inches; if a shorter casing is needed, order No. 66986 and cut to required length.
59	396892	Insert—Starter Grip	131	394035	Shaft and Lever— Throttle	269	26099	Wire Control, 54" long
60	393152	Grip—Starter Rope	141	68908	Shaft—Choke			<b>Note:</b> If longer wire is needed, specify length in inches; if shorter wire is needed, order No. 26099 and cut to required length.
65	93587	Screw—Vertical Pull Starter Mounting	151	93524	Screw—Rd. Hd.— 5-40 x 1/2			
66	394558	Clutch Assy.—Rewind Starter	152	260746	Spring—Throttle Adj.			
67	394897	Housing—Starter Clutch	163	271139	Gasket—Air Cleaner Mounting			
68	63770	Ball—Clutch	166	231332	Stud—Air Cleaner Used after Code Date 83111404.			
69	66874	Washer—Thrust			<b>Note:</b> 231311 Stud—Air Cleaner Used before Code Date 83111504.	270	63426	Locknut—Control Wire Casing
	<b>Note:</b>	68938 Washer—Thrust Used on Auxiliary Drive P.T.O. Camshaft and is located next to the Worm Gear.	172	271077	Gasket—Air Cleaner	271	290568	Lever Assembly Control
70	298436	Ratchet—Rewind Starter	180	391694	Tank Assembly—Fuel	284	94073	Screw—Clamp Mounting
71	221653	Washer—Clutch Retainer	181	391494	Cap—Fuel Tank (Chrome)	300	394644	Muffler—Exhaust
73	221661	Screen—Starter Pulley	188	94102	Screw—Fuel Tank and Starter Mounting	300A	394569	Muffler—Exhaust
74	93490	Screw—Sem	190	93440	Screw—Fuel Tank Mtg.	304	396412	Housing—Blower
76	68238	Washer—Ratchet Sealing	201	261918	Link—Governor			<b>Note:</b> 223287 Housing— Blower Used on Type Nos. 0015, 0016, 0017, 0018, 0117, 0137, 0138, 0140, 0141, 0143, 0144, 0145, 0146, 0168, 0169, 0177, 0179.
81	223256	Lock—Muffler Screw	202	261897	Link—Throttle			
83	230831	Shaft—Drive	203	280272	Bell Crank			
	<b>Note:</b>	230921 Shaft—Drive Used on Type No. 0176.	205	93838	Screw—Shoulder			
		230948 Shaft—Drive Used on Type Nos. 0133, 0148.	209	261936	Spring—Governor			
		230952 Shaft—Drive Used on Type No. 0154.			<b>Note:</b> 261926 Spring— Governor Used on Type Nos. 0134, 0168, 0169. 261927 Spring— Governor Used on Type Nos. 0054, 0132, 0135, 0139, 0141, 0142, 0143, 0147, 0149, 0151, 0152, 0154, 0171, 0176, 0178, 0179. 261935 Spring— Governor Used on Type Nos. 0051, 0177. 261938 Spring— Governor Used on Type Nos. 0133, 0136, 0148, 0150.	305	93559	Screw—Blower Housing Mounting Sem
83A	231278	Gear—Drive				306	222394	Shield—Cylinder
	<b>Note:</b>	231279 Gear—Drive Used on Type Nos. 0051, 0133, 0138, 0148, 0154, 0169, 0176.				307	93490	Screw—Sem
86	221780	Cover—Base				307A	93926	Screw—Hex Head
87	391484	Seal—Oil				319	395488	Armature Assembly (Less Trigger Coil)
88	270328	Gasket—Base Cover				324	223006	Screen—Rotating
95	93499	Screw—Throttle Valve Mounting Sem				331	220865	Washer—Flywheel
96	211237	Valve—Throttle				332	92284	Nut—Flywheel
108	280429	Valve—Choke				333	397316	Armature—Magneto
116	280203	O-Ring				333A	395489	Armature—Magneto
			219	394044	Oil Slinger Assembly	334	93381	Screw—Armature Mounting Sem
			227	396504	Lever Assembly— Governor	337	298809	Plug—Spark (with Gasket) 1-1/2" high— (37-42 mm.)
			228	93758	Screw—Hex Head			<b>Note:</b> 293918 Plug—Spark (with Gasket) 1-1/2" high (Resistor Type)
			258	94018	Screw—Hex Head	351	93735	Screw—Terminal
						352	66068	Washer—Insulating

# 114900 to 114999

REF. NO.	PART NO.	DESCRIPTION	REF. NO.	PART NO.	DESCRIPTION	REF. NO.	PART NO.	DESCRIPTION
353	92791	Washer—Lock— Shakeproof (3)	608	396411	Starter Assy.—Rewind (12 o'clock)	676C	397931	Deflector—Exhaust
354	90576	Nut—Hex.—8-32 (2)		<b>Note:</b>	396090 Starter Assy.— Rewind (1:30 o'clock)	677	93705	Screw—Muffler Deflector
355	66554	Collar—Insulating			Used on Type Nos. 0054, 0129, 0132, 0139, 0147.	677A	93606	Screw—Muffler Deflector
356	398808	Wire—Ground Used with Armature Ref. 333 Only.			396468 Starter Assy.— Rewind (3 o'clock)	681	395508	Needle Valve Kit
356A	298693	Wire—Ground (30" long, cut to suit) All Wires Listed are Used with Armature Ref. 333A Only.			Used on Type Nos. 0131, 0133, 0135, 0148, 0170, 0178.	720	93474	Pin—Gear to Shaft
	<b>Note:</b>	396585 Wire—Ground (Dual Wire, cut to suit) Used on Type Nos. 0015, 0016, 0018, 0025, 0027, 0029.			396794 Starter Assy.— Rewind (6 o'clock)	721	221779	Stop—Drive Shaft
358	391662	Gasket Set			Used on Type Nos. 0134, 0153, 0174.	741	261533	Gear—Timing
363	19069	Puller—Flywheel (Optional Accessory)	611	297219	Pipe—Fuel (long)	764	396082	Starter Assembly— Vertical Pull (48-5/8" Rope)
377	93065	Key—Woodruff No. 6	612	296811	Pipe—Fuel (short)	765	395914	Housing—Vertical Pull Starter
382	93545	Screw—Choke Link Cover	613	93935	Screw—Muffler Mtg.	766	280022	Pulley—Rope (Small)
383	89838	Wrench—Spark Plug	615	93307	Retainer—E-Ring	767	231048	Pin—Small Rope Pulley
390	261249	Spring—Diaphragm	616	394075	Crank—Governor	768	299948	Pulley and Gear Assembly—Starter (48-5/8" Rope)
392	260455	Spring—Fuel Pump Diaphragm	617	270344	Seal—Fuel Intake Tube	769	66734	Rope—Vertical Pull Starter (48-5/8")
394	391643	Diaphragm Carburetor	620	394642	Plate—Carburetor Control		<b>Note:</b>	If longer rope is needed, Order No. 280399 and cut to required length.
396	270571	Gasket—Choke Link Cover		<b>Note:</b>	394882 Plate— Carburetor Control	771	299961	Clip—Vertical Pull
397	211678	Cover—Choke Link			Used on Type Nos. 0015, 0016, 0018, 0025, 0027, 0029, 0051, 0132, 0135, 0138, 0145, 0146, 0147, 0150, 0152, 0153, 0155, 0171, 0178.	774	280121	Insert—Starter Handle
409	391590	Control—Dial	621	396847	Switch Assembly—Stop (Used after Code Date 85032700)	775	280036	Grip—Starter Rope
410	260993	Link—Control		<b>Note:</b>	297472 Switch—Stop (Used before Code Date 85032800)	776	222049	Guide—Rope
414	220982	Washer			Tube—Fuel Intake	777	390066	Spring—Vertical Pull Starter
432	221377	Cap—Spring			Washer—Throttle Shaft (Felt)	778	280021	Cover—Vertical Pull Starter Pulley
445	396424	Cartridge—Air Cleaner	625	391377	Tube—Fuel Intake	832	399146	Guard—Muffler
446	222844	Base—Air Cleaner	634	270167	Washer—Throttle Shaft (Felt)	832A	396313	Guard—Muffler
446A	395642	Base—Air Cleaner			Elbow—Spark Plug	842	270920	Seal—Filler Cap
467	212706	Knob—Air Cleaner			Cover—Air Cleaner	847	399030	Filler Group—Oil (Used after Code Date 85051000)
467A	299858	Knob—Dial Control			Anchor—Spring		<b>Note:</b>	395869 Filler Group—Oil (Used before Code Date 85051100)
482	93621	Screw—Sem			Spacer—Fuel Tank	851	221798	Terminal—Ignition Cable
508	93158	Screw—Sem			Screw—Tank to Bracket	852	396397	Cleaner Group—Air
523	396372	Cap with Dipstick— Oil Filler			Deflector—Muffler	869	210879	Seat—Intake Valve (Standard)
524	271485	Seal—Filler Tube			Deflector—Muffler	870	211291	Seat—Exhaust Valve (Standard)
525	280578	Tube—Oil Filler (Used after Code Date 85051000)			Deflector—Muffler		<b>Note:</b>	For Options, See Repair Manual
	<b>Note:</b>	280382 Tube—Oil Filler (Used before Code Date 85051100)			Deflector—Muffler	871	262001	Guide—Exhaust Valve
529	280368	Grommet—Breather			676 396548		<b>Note:</b>	63709 Guide—Intake Valve
535	271466	Element—Air Cleaner			676A 393756	897	394970	Trigger Coil Assy.
552	230732	Bushing—Governor Shaft			676B 393760	901	223004	Bracket—Bell Crank
						902	280271	Grommet—Screen
						939	395665	Shaft Assembly—Choke
						940	222403	Guard—Flywheel
						988	223600	Bracket—Muffler
						994	398067	Arrester—Spark