

121200

Illustrated Parts List

Model Series

121200

TYPE NUMBERS
0110 through 0111.

TABLE OF CONTENTS

| | |
|---------------------------------|---|
| Air Cleaner | 5 |
| Blower Housing | 5 |
| Camshaft | 2 |
| Carburetor | 4 |
| Controls | 5 |
| Crankcase Cover | 2 |
| Crankshaft | 2 |
| Cylinder | 2 |
| Cylinder Head | 3 |
| Exhaust System | 5 |
| Flywheel | 5 |
| Fuel Supply | 5 |
| Governor Spring | 5 |
| Ignition | 5 |
| Kits/Gaskets – Carburetor | 4 |
| Kits/Gaskets – Engine | 2 |
| Kits/Gaskets – Valve | 3 |
| Lubrication | 5 |
| Piston Group | 2 |
| Rewind Starter | 5 |



PRINTED IN U.S.A.

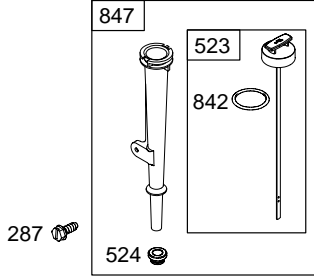
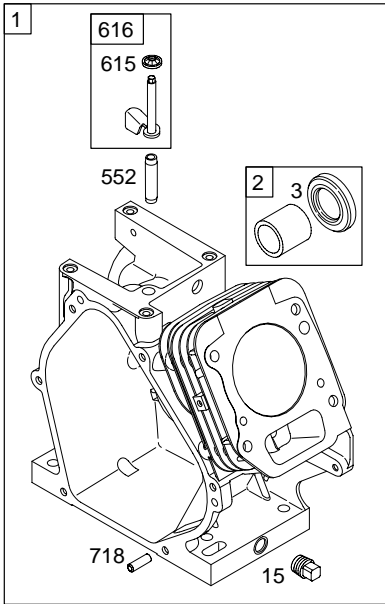
COPYRIGHT by BRIGGS & STRATTON CORPORATION
All rights reserved. No part of this material may be reproduced or transmitted,
in any form or by any means, electronic or mechanical, including photocopying,
recording or by any information storage and retrieval system, without permission
in writing from Briggs & Stratton Corporation.

121200

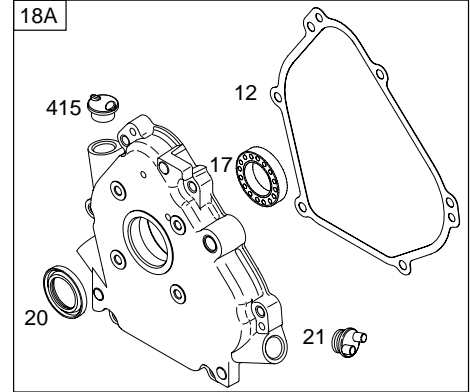
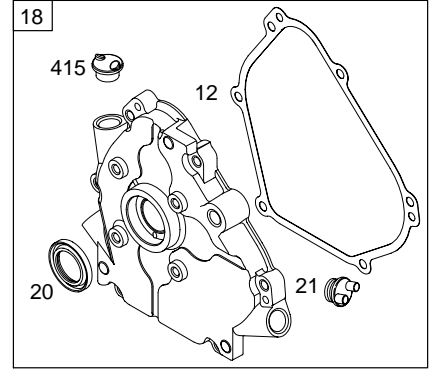
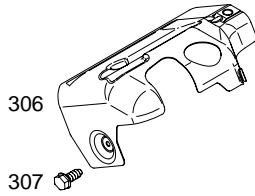
1019 LABEL KIT

1058 OWNER'S MANUAL

1330 REPAIR MANUAL



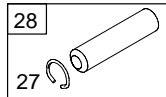
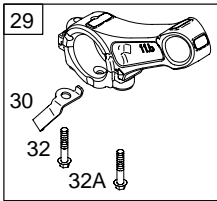
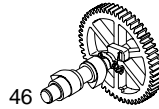
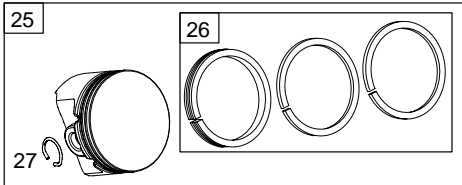
287 (nut)



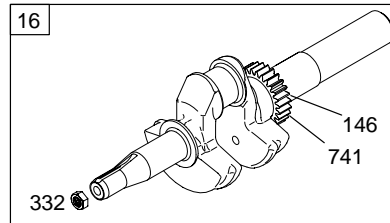
22 (nut)

746 (gear), 742 (gear)

219 (nut), 220 (nut)

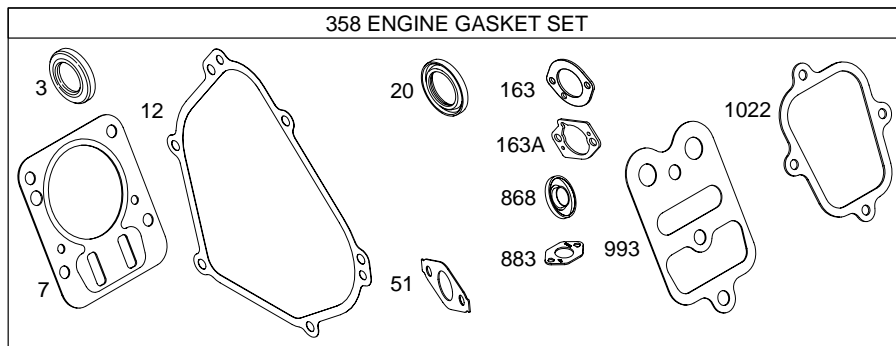


24 (pin)

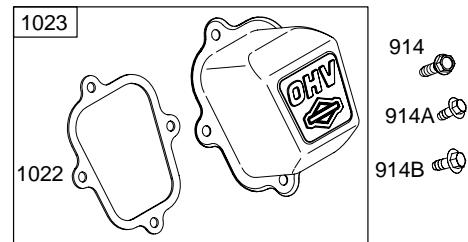
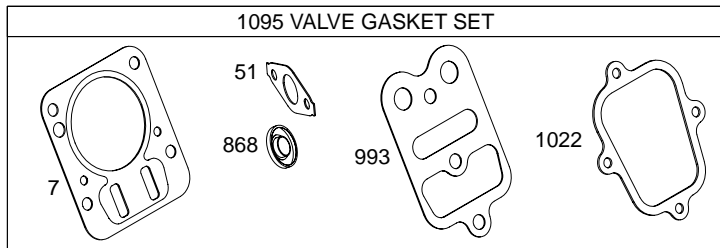
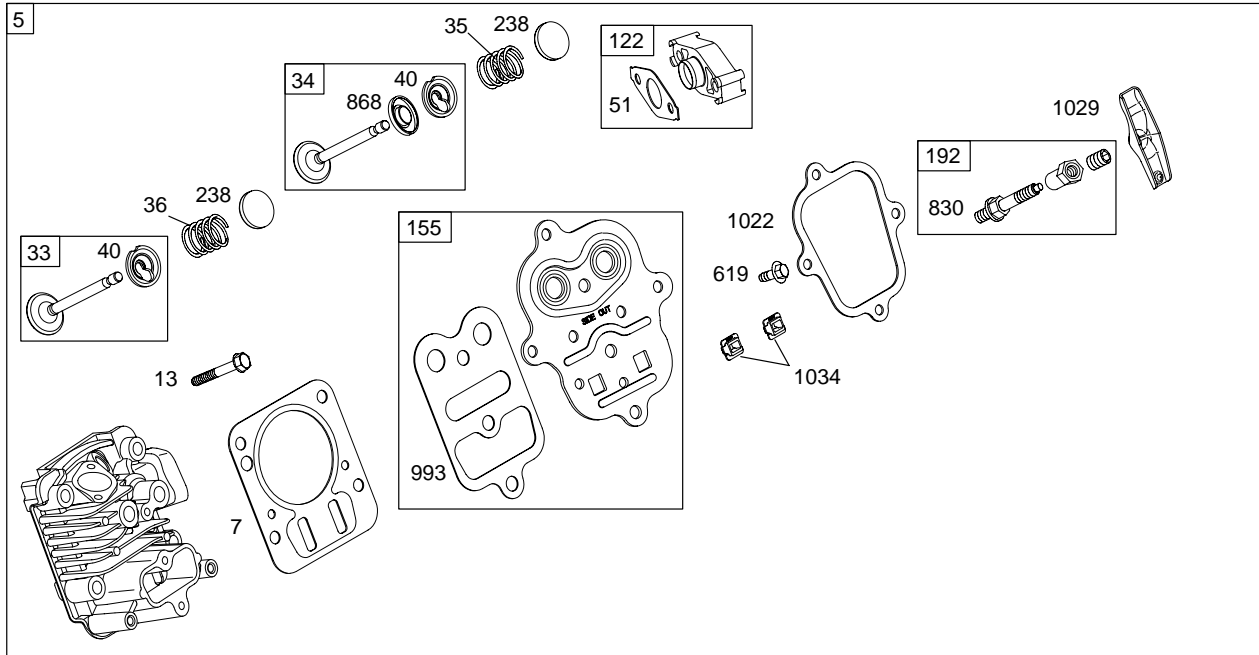


332 (nut)

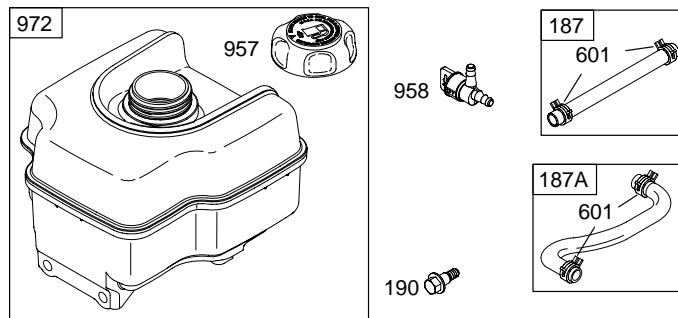
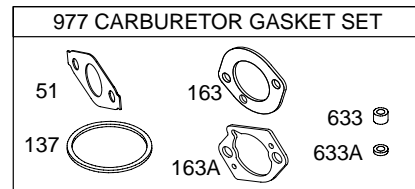
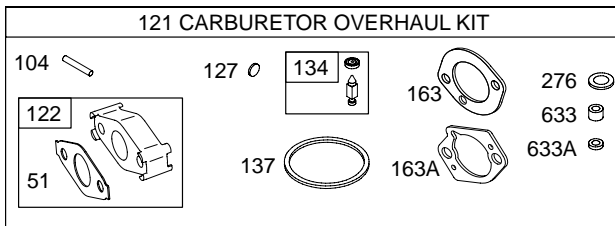
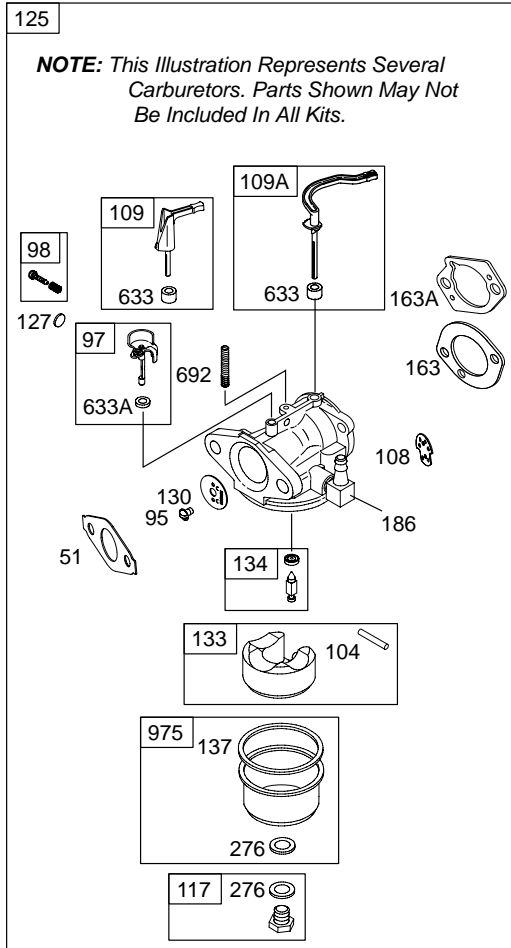
358 ENGINE GASKET SET



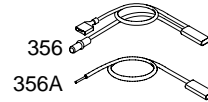
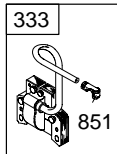
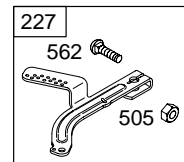
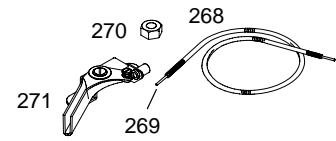
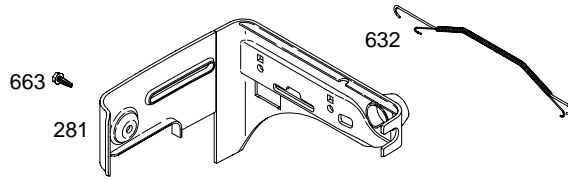
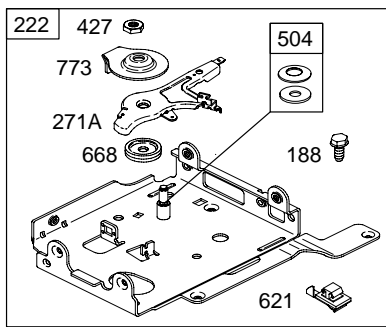
Illustrations cover a range of engines. Parts shown without corresponding text may not be used on your specific engine.
 3244-2 Assemblies include all parts shown in frames. 10/25/2004



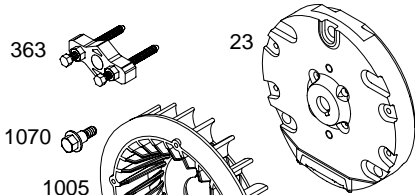
Illustrations cover a range of engines. Parts shown without corresponding text may not be used on your specific engine.
 3244-3 Assemblies include all parts shown in frames. 10/25/2004



Illustrations cover a range of engines. Parts shown without corresponding text may not be used on your specific engine.
3244-4 Assemblies include all parts shown in frames. **10/25/2004**



334



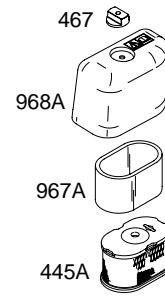
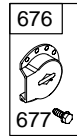
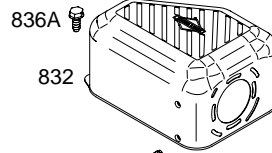
363

1070

1005

455

332



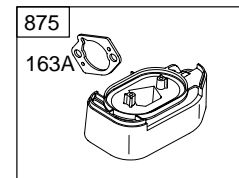
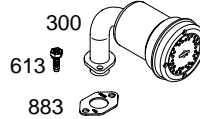
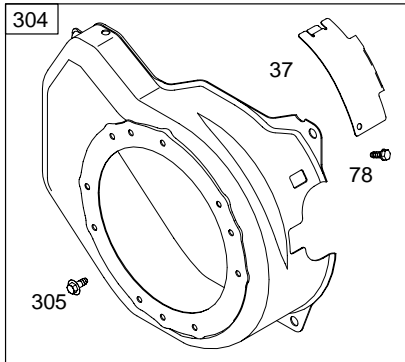
967A

445A



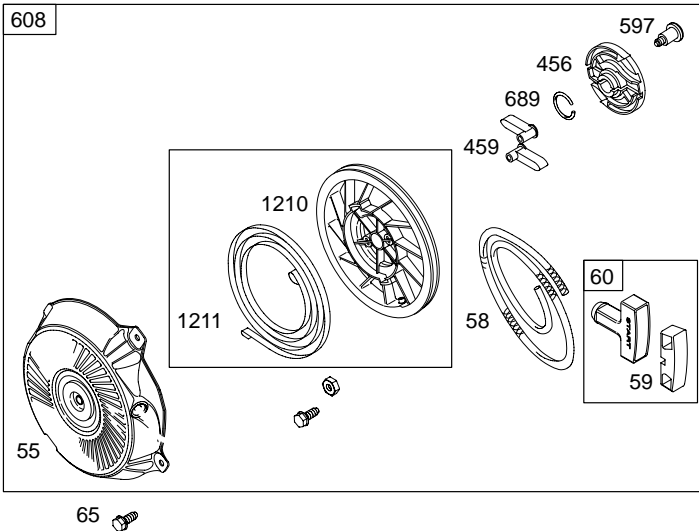
11A

971B

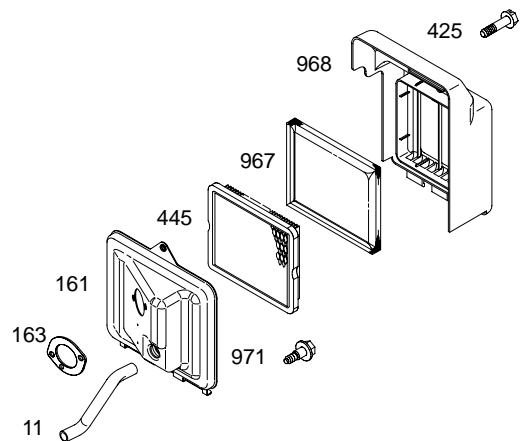


971A

1036 EMISSION LABEL



65



Illustrations cover a range of engines. Parts shown without corresponding text may not be used on your specific engine.
 3244-5 Assemblies include all parts shown in frames. 10/25/2004

121200

| REF. NO. | PART NO. | DESCRIPTION | REF. NO. | PART NO. | DESCRIPTION | REF. NO. | PART NO. | DESCRIPTION |
|----------|----------|---|----------|-----------|---------------------------------------|----------|-----------|---|
| 1 | 699510 | Cylinder Assembly | 26 | 499631 | Ring Set (Standard) | 108 | 692567 | Valve-Choke |
| 2 | 399269 | Kit-Bushing/Seal (Magneto Side) | | | Note | 109 | 690023 | Shaft-Choke |
| 3 | ★299819 | Seal-Oil (Magneto Side) | | | 692786 | 109A | 693628 | Shaft-Choke |
| 5 | 699486 | Head-Cylinder | 27 | 691866 | Lock-Piston Pin | 109C | 790624 | Shaft-Choke |
| 7 | ★∅698210 | Gasket-Cylinder Head | 28 | 499423 | Pin-Piston | 117 | 697355 | Jet-Main |
| 11 | 692600 | Tube-Breather (Flat Panel Air Cleaner) | 29 | 690124 | Rod-Connecting | 118 | 494870 | Jet-Main |
| 11A | 693647 | Tube-Breather (High Mount Air Cleaner) | 30 | 692562 | Dipper-Connecting Rod | 121 | 696998 | Kit-Carburetor Overhaul |
| 12 | ★699485 | Gasket-Crankcase | 32 | 691664 | Screw (Connecting Rod) | 122 | ★693749 | Spacer-Carburetor |
| 13 | 699482 | Screw (Cylinder Head) | 32A | 695759 | Screw (Connecting Rod) | 125 | 697354 | Carburetor Used on Type No(s). 0111. |
| 15 | 691686 | Plug-Oil Drain (Square Head) | 33 | 499642 | Valve-Exhaust | | | Note |
| 15A | 691682 | Plug-Oil Drain (Flush) | 34 | 499641 | Valve-Intake | | | 697028 |
| 16 | 699451 | Crankshaft | 35 | 691304 | Spring-Valve (Intake) | | | Used on Type No(s). 0110. |
| 17 | 692517 | Bearing-Ball | 36 | 691304 | Spring-Valve (Exhaust) | 127 | ●691739 | Plug-Welch |
| 18 | 699804 | Cover-Crankcase Used on Type No(s). 0110. | 37 | 699661 | Guard-Flywheel | 130 | 691181 | Valve-Throttle |
| 18A | 699672 | Cover-Crankcase Used on Type No(s). 0111. | 40 | 692194 | Retainer-Valve | 133 | 398187 | Float-Carburetor |
| 20 | ★692550 | Seal-Oil (PTO Side) | 45 | 690977 | Tappet-Valve | 134 | ●398188 | Kit-Needle/Seat |
| 21 | 281658 | Cap-Oil Fill | 46 | 693404 | Camshaft | | | |
| 22 | 699478 | Screw (Crankcase Cover/Sump) | 51 | ★●∅692555 | Gasket-Intake | 137 | ●●693981 | Gasket-Float Bowl |
| 23 | 699488 | Flywheel | 55 | 691422 | Housing-Rewind Starter | 146 | 690979 | Key-Timing |
| 24 | 222698 | Key-Flywheel | 58 | 693389 | Rope-Starter (Cut to Required Length) | 155 | ★698214 | Plate-Cylinder Head |
| 25 | 499627 | Piston Assembly (Standard) | 59 | 490653 | Grip-Insert | 161 | 699207 | Base-Air Cleaner (Flat Panel Air Cleaner) |
| | | Note | 60 | 490652 | Grip-Starter Rope (2 Piece) | 163 | ★●●696024 | Gasket-Air Cleaner (Flat Panel Air Cleaner) |
| | | 692789 | 65 | 699228 | Screw (Rewind Starter) | 163A | ★●●696979 | Gasket-Air Cleaner (High Mount) |
| | | Piston Assembly (.020" Oversize) | 78 | 699205 | Screw (Flywheel Guard) | 186 | 692317 | Connector-Hose |
| | | | 95 | 691636 | Screw (Throttle Valve) | 187 | 691050 | Line-Fuel (Cut to Required Length) |
| | | | 97 | 690024 | Shaft-Throttle | 187A | 692601 | Line-Fuel (Molded) |
| | | | 98 | 398185 | Kit-Idle Speed (Carburetor) | 188 | 699479 | Screw (Control Bracket) |
| | | | 104 | ●691242 | Pin-Float Hinge | 190 | 699220 | Screw (Fuel Tank) |

★ Included in Engine Gasket Set-Ref. No.358.

● Included in Carburetor Overhaul Kit-Ref. No. 121.

◆ Included in Carburetor Gasket Set-Ref. No. 977.

∅ Included in Valve Gasket Set-Ref. No 1095.

Illustrations cover a range of engines. Parts shown without corresponding text may not be used on your specific engine.

| REF. NO. | PART NO. | DESCRIPTION | REF. NO. | PART NO. | DESCRIPTION | REF. NO. | PART NO. | DESCRIPTION |
|----------|----------|--|----------|----------|---|----------|----------|--------------------------------------|
| 192 | 694543 | Adjuster—Rocker Arm | 332 | 699359 | Nut | 608 | 693394 | Starter—Rewind |
| 209 | 692571 | Spring—Governor Used on Type No(s). 0111. | | | (Flywheel) | 613 | 699209 | Screw (Muffler) |
| | | — Note — | 333 | 695711 | Armature—Magneto | 615 | 692576 | Retainer—Governor Shaft |
| | | 693206 Spring— Governor | 334 | 699477 | Screw (Magneto Armature) | 616 | 692547 | Crank—Governor |
| | | Used on Type No(s). 0110. | 337 | 491055 | Plug—Spark (Resistor) | 619 | 699230 | Screw (Cylinder Head Plate) |
| 209A | 691278 | Spring—Governor | 356 | 693651 | Wire—Stop | 621 | 692310 | Switch—Stop |
| 219 | 693578 | Gear—Governor | 356A | 692390 | Wire—Stop | 632 | 693408 | Spring/Link—Mechani- cal Governor |
| 220 | 691724 | Washer (Governor Gear) | 358 | 699638 | Gasket Set—Engine | 633 | ◆693867 | Seal—Choke/Throttle Shaft |
| 222 | 699589 | Bracket—Control | 363 | 19069 | Puller—Flywheel | 633A | ◆691321 | Seal—Choke/Throttle Shaft |
| 227 | 692573 | Lever—Governor Control | 365 | 699484 | Screw (Carburetor) | 635 | 692076 | Boot—Spark Plug |
| 238 | 691300 | Valve—Cap | 383 | 19374 | Wrench—Spark Plug | 663 | 699206 | Screw (Control Panel) |
| 265 | 691024 | Clamp—Casing | 415 | 693463 | Plug | 668 | 694257 | Spacer |
| 267 | 699492 | Screw (Casing Clamp) | 425 | 699208 | Screw (Air Cleaner Cover) | 676 | 393757 | Deflector—Muffler |
| 268 | 691025 | Casing—Control Wire (72" Long) (Cut to Required Length) | 427 | 694255 | Nut (Control Bracket) | 677 | 690661 | Screw (Muffler Deflector) |
| 269 | 691026 | Wire—Control (78" Long) (Cut to Required Length) | 445 | 491588 | Filter—Air Cleaner Cartridge (Flat Panel) | 689 | 691855 | Spring—Friction |
| 270 | 691027 | Nut (Control Wire Casing) | 445A | 697029 | Filter—Air Cleaner Cartridge (High Mount) | 692 | 690572 | Spring—Detent |
| 271 | 691028 | Lever—Control | 455 | 692591 | Cup—Flywheel | 717 | 693462 | Bracket—Air Cleaner |
| 271A | 694256 | Lever—Control | 456 | 692299 | Plate—Pawl Friction | 718 | 690959 | Pin—Locating |
| 276 | ◆271716 | Washer—Sealing | 459 | 281505 | Pawl—Ratchet | 741 | 695087 | Gear—Timing |
| 281 | 699639 | Panel—Control | 467 | 691668 | Knob—Air Cleaner | 742 | 692564 | Retainer—E Ring |
| 287 | 699629 | Screw (Dipstick Tube) | 504 | 694254 | Washer Set—Friction | 746 | 692566 | Gear—Idler |
| 300 | 693593 | Muffler | 505 | 691251 | Nut (Governor Control Lever) | 773 | 694258 | Retainer |
| 304 | 699598 | Housing—Blower | 523 | 693618 | Dipstick | 830 | 694544 | Stud—Rocker Arm |
| 305 | 699480 | Screw (Blower Housing) | 524 | 281370 | Seal—Dipstick Tube | 832 | 693583 | Guard—Muffler |
| 306 | 693610 | Shield—Cylinder | 552 | 692346 | Bushing—Governor Crank | 836 | 699203 | Screw (Muffler Guard) |
| 307 | 699483 | Screw (Cylinder Shield) | 562 | 691119 | Bolt (Governor Control Lever) | 836A | 699632 | Screw (Muffler Guard) |
| | | | 597 | 691696 | Screw (Pawl Friction Plate) | 842 | 691031 | Seal—O Ring (Dipstick Tube) |
| | | | 601 | 95162 | Clamp—Hose | 847 | 693617 | Dipstick/Tube Assembly |
| | | | | | | 851 | 493880 | Terminal—Spark Plug |
| | | | | | | 868 | ★∅692044 | Seal—Valve |

★ Included in Engine Gasket Set—Ref. No.358.

● Included in Carburetor Overhaul Kit—Ref. No. 121.

◆ Included in Carburetor Gasket Set—Ref. No. 977.

∅ Included in Valve Gasket Set—Ref. No 1095.

Illustrations cover a range of engines. Parts shown without corresponding text may not be used on your specific engine.

121200

| REF. NO. | PART NO. | DESCRIPTION | REF. NO. | PART NO. | DESCRIPTION | REF. NO. | PART NO. | DESCRIPTION |
|----------|----------|---------------------------------|----------|----------|--|----------|----------|---------------------------------|
| 875 | 697030 | Base–Air Cleaner (High Mount) | 967A | 273356 | Filter–Pre Cleaner (High Mount) | 1019 | 694852 | Kit–Label |
| 883 | ★691893 | Gasket–Exhaust | 968 | 692584 | Cover–Air Cleaner (Flat Panel Air Cleaner) | 1022 | ★∅691890 | Gasket–Rocker Cover |
| 914 | 699481 | Screw (Rocker Cover) (Bottom) | 968A | 693460 | Cover–Air Cleaner (High Mount) | 1023 | 499924 | Cover–Rocker Arm |
| 914A | 692557 | Screw (Rocker Cover) (Top) | 971 | 690370 | Screw (Air Cleaner Base) | 1026 | 790287 | Rod–Push |
| 914B | 697551 | Screw (Rocker Cover) (Center) | 971A | 690349 | Screw (Air Cleaner Base) | 1029 | 691230 | Arm–Rocker |
| 957 | 694261 | Cap–Fuel Tank | 971B | 699629 | Screw (Air Cleaner Base) | 1034 | 691343 | Guide–Push Rod |
| 958 | 698180 | Valve–Fuel Shut Off | 972 | 694260 | Tank–Fuel | 1036 | 790634 | Label–Emission |
| 961 | 698304 | Screw (Air Cleaner Bracket) | 975 | 493640 | Bowl–Float | 1058 | 275092 | Owner's Manual |
| 967 | 493537 | Filter–Pre Cleaner (Flat Panel) | 977 | 697001 | Gasket Set–Carburetor | 1070 | 699201 | Screw (Flywheel Fan) |
| | | | 993 | ∅694088 | Gasket–Cylinder Head Plate | 1095 | 698215 | Gasket Set–Valve |
| | | | 1005 | 692592 | Fan–Flywheel | 1210 | 498144 | Pulley/Spring Assembly (Pulley) |
| | | | | | | 1211 | 498144 | Pulley/Spring Assembly (Spring) |
| | | | | | | 1330 | 272147 | Repair Manual |

★ Included in Engine Gasket Set–Ref. No.358.

● Included in Carburetor Overhaul Kit–Ref. No. 121.

◆ Included in Carburetor Gasket Set–Ref. No. 977.

∅ Included in Valve Gasket Set–Ref. No 1095.

Illustrations cover a range of engines. Parts shown without corresponding text may not be used on your specific engine.

3244–8

Assemblies include all parts shown in frames.

10/25/2004