



121H00

Illustrated Parts List

Model Series

121H00

TYPE NUMBERS
0100 through 0111.

TABLE OF CONTENTS

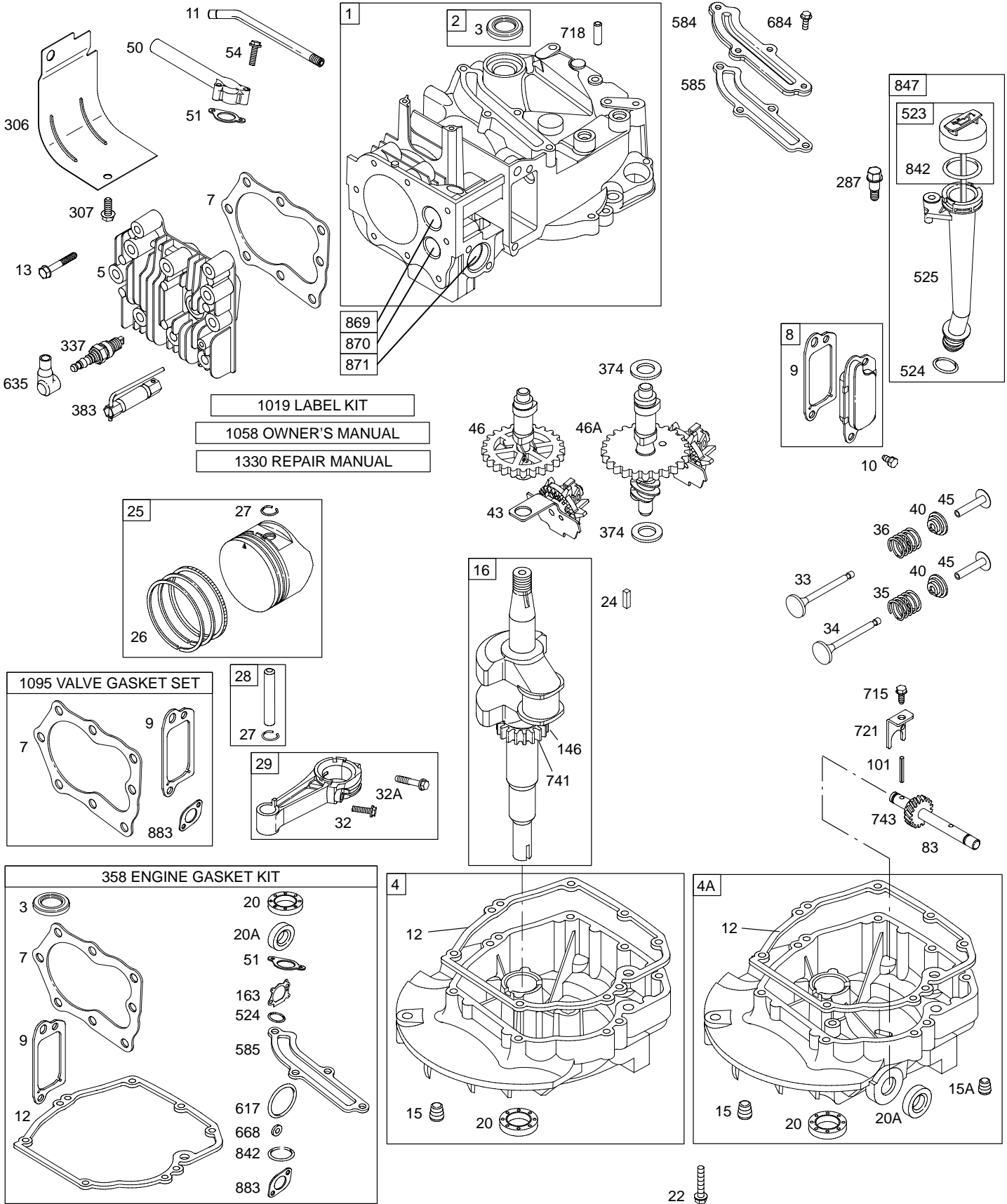
Air Cleaner	4
Blower Housing/Shrouds	5
Camshaft	2
Carburetor	3
Controls	4
Crankshaft	2
Cylinder	2
Electrical	4
Engine Sump	2
Exhaust System	4
Flywheel	5
Flywheel Brake	4
Fuel Supply	3
Governor Spring	4
Ignition	4
Kits/Gaskets	2 & 3
Lubrication	2
Piston Group	2
Rewind Starter	5
Valves	2



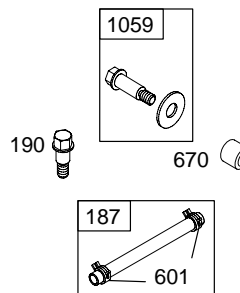
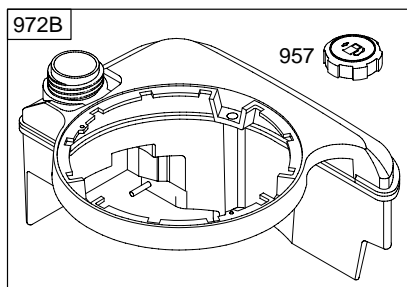
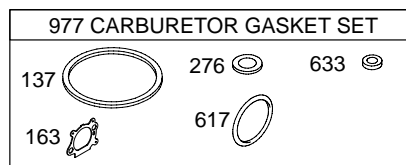
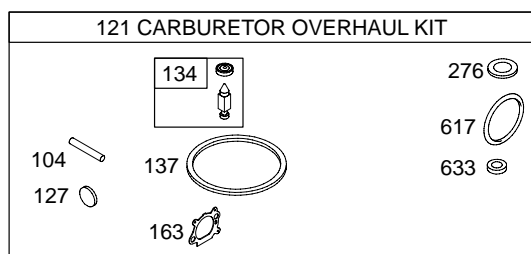
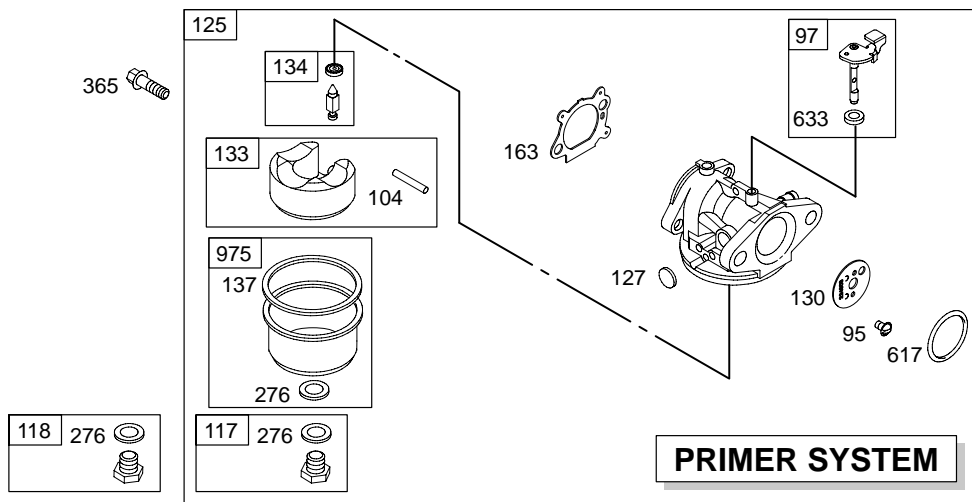
PRINTED IN U.S.A.

COPYRIGHT by BRIGGS & STRATTON CORPORATION
All rights reserved. No part of this material may be reproduced or transmitted, in any form or by any means, electronic or mechanical, including photocopying, recording or by any information storage and retrieval system, without permission in writing from Briggs & Stratton Corporation.

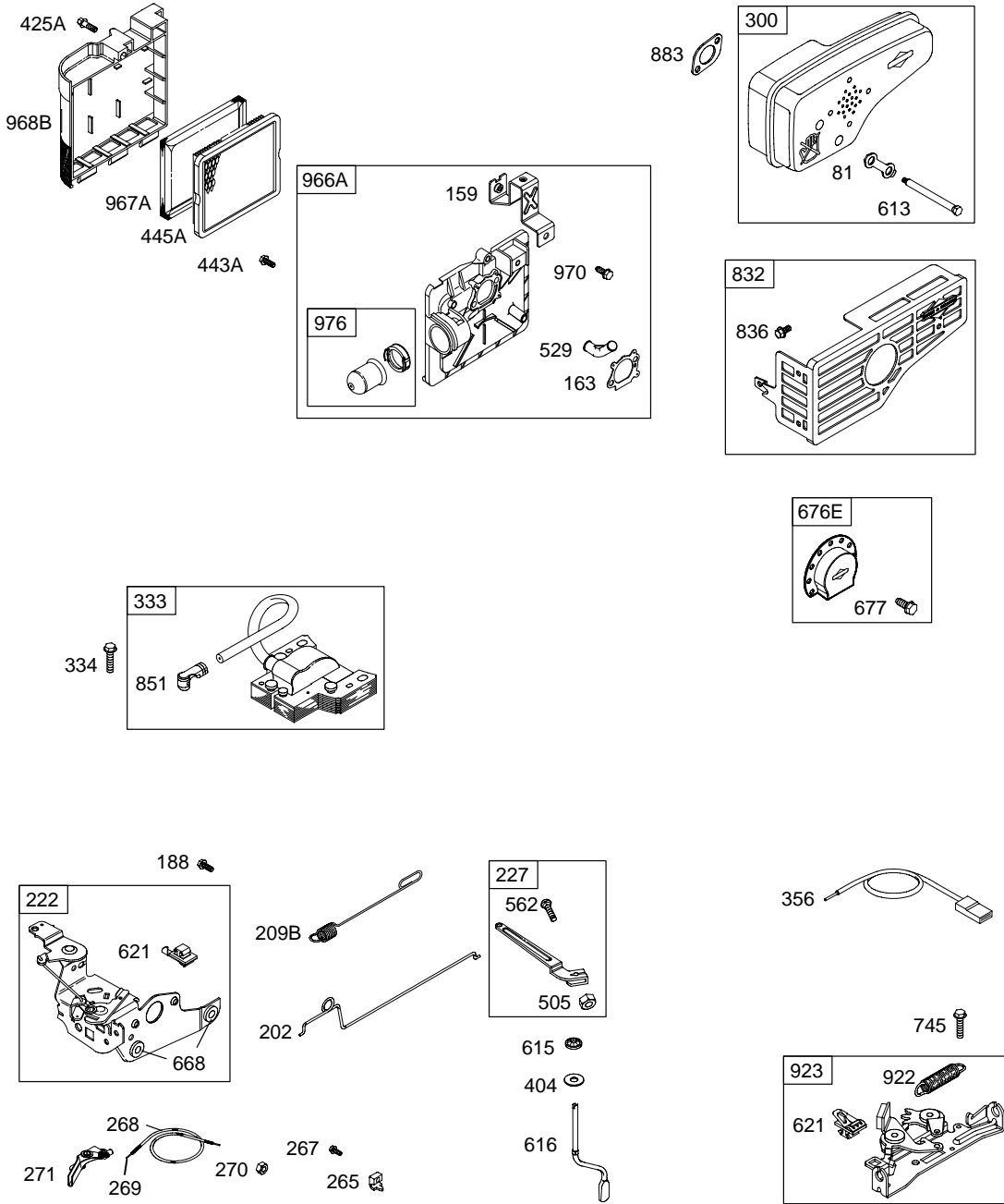
121H00



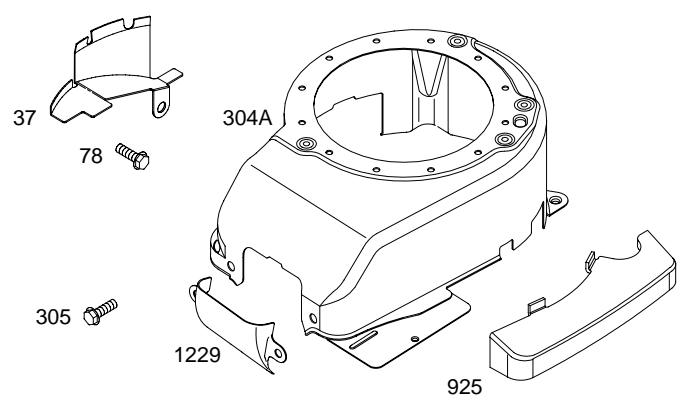
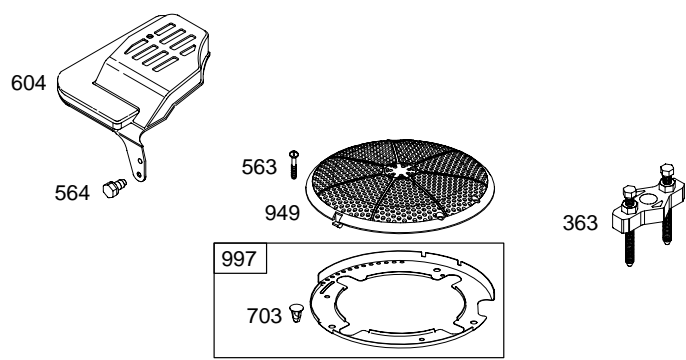
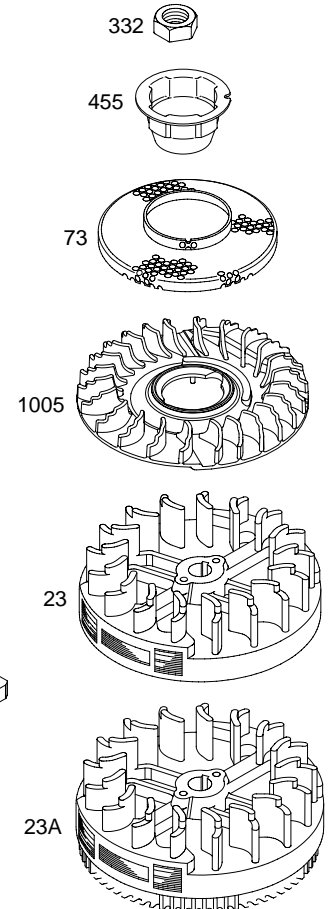
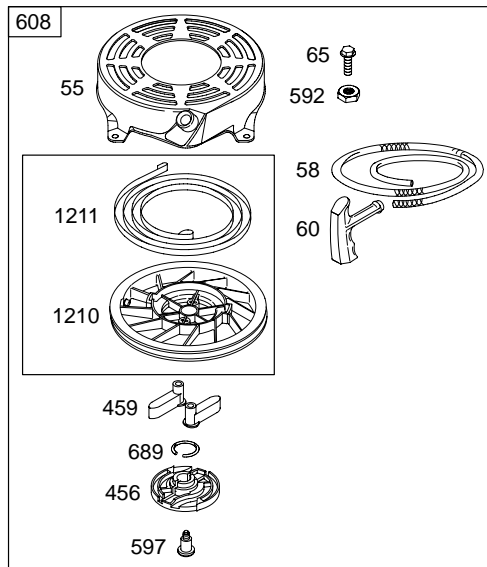
Illustrations cover a range of engines. Parts shown without corresponding text may not be used on your specific engine.
5052-2 Assemblies include all parts shown in frames. 09/29/2004



Illustrations cover a range of engines. Parts shown without corresponding text may not be used on your specific engine.
 5052-3 Assemblies include all parts shown in frames. 09/29/2004



Illustrations cover a range of engines. Parts shown without corresponding text may not be used on your specific engine.
5052-4 Assemblies include all parts shown in frames. 09/29/2004



1036 EMISSION LABEL

121H00

REF. NO.	PART NO.	DESCRIPTION	REF. NO.	PART NO.	DESCRIPTION	REF. NO.	PART NO.	DESCRIPTION
1	697322	Cylinder Assembly	25	790359	Piston Assembly (Standard) (Used After Code Date 04031400).	33	262651	Valve—Exhaust
2	399269	Kit—Bushing/Seal (Magneto Side)			Note	34	262652	Valve—Intake
3	★299819	Seal—Oil (Magneto Side)			499429 Piston Assembly (Standard) (Used Before Code Date 04031500).	35	691270	Spring—Valve (Intake)
4	493279	Sump—Engine			499430 Piston Assembly (.010" Oversize)	36	691270	Spring—Valve (Exhaust)
4A	493365	Sump—Engine (Auxiliary PTO)			499431 Piston Assembly (.020" Oversize)	37	694086	Guard—Flywheel
5	691160	Head—Cylinder			499432 Piston Assembly (.030" Oversize)	40	692194	Retainer—Valve
7	★Ø692249	Gasket—Cylinder Head			26 790360 Ring Set (Standard) (Used After Code Date 04031400).	43	691997	Slinger—Governor/Oil
8	695250	Breather Assembly			Note	45	690548	Tappet—Valve
9	★Ø272481	Gasket—Breather			499425 Ring Set (Standard) (Used Before Code Date 04031500).	46	691449	Camshaft
10	691125	Screw (Breather Assembly)			499426 Ring Set (.010" Oversize)	46A	691459	Camshaft (Counterclockwise)
11	691781	Tube—Breather			499427 Ring Set (.020" Oversize)	50	497465	Manifold—Intake
12	★692232	Gasket—Crankcase			499428 Ring Set (.030" Oversize)	51	★272199	Gasket—Intake
13	690912	Screw (Cylinder Head)			27 691866 Lock—Piston Pin	54	691650	Screw (Intake Manifold)
15	691680	Plug—Oil Drain (Square Socket)			28 499423 Pin—Piston (Standard)	55	691421	Housing—Rewind Starter
15A	691093	Plug—Oil Drain (Hex Socket)			29 499424 Rod—Connecting (Standard)	58	697316	Rope—Starter (Cut To Required Length)
16	691451	Crankshaft			32 691664 Screw (Connecting Rod)	60	281434	Grip—Starter Rope
		Note			32A 695759 Screw (Connecting Rod)	65	690837	Screw (Rewind Starter)
		691452 Crankshaft Used on Type No(s) 0110.				73	691222	Screen—Rotating
20	★399781	Seal—Oil (PTO Side)				78	691108	Screw (Flywheel Guard)
20A	★691952	Seal—Oil (PTO Side) (Auxiliary PTO)				81	691740	Lock—Muffler Screw
22	691092	Screw (Crankcase Cover/Sump)				83	690522	Shaft—Auxiliary Drive
23	692315	Flywheel (Rewind Start) Used on Type No(s) 0111.				95	691636	Screw (Throttle Valve)
23A	691992	Flywheel (Electric Start)				97	696565	Shaft—Throttle
24	222698	Key—Flywheel				101	691623	Pin—Shaft
						104	●691242	Pin—Float Hinge
						117	498978	Jet—Main (Standard)
						118	497466	Jet—Main (High Altitude)
						121	498260	Kit—Carburetor Overhaul
						125	498170	Carburetor

★ Included in Engine Gasket Set—Ref. No.358.

● Included in Carburetor Overhaul Kit—Ref. No. 121.

◆ Included in Carburetor Gasket Set—Ref. No. 977.

Ø Included in Valve Gasket Set—Ref. No 1095.

Illustrations cover a range of engines. Parts shown without corresponding text may not be used on your specific engine.

REF. NO.	PART NO.	DESCRIPTION	REF. NO.	PART NO.	DESCRIPTION	REF. NO.	PART NO.	DESCRIPTION
127	●694468	Plug–Welch (3/8" Diameter)	270	691027	Nut (Control Wire Casing)	456	692299	Plate–Pawl Friction
130	696564	Valve–Throttle	271	691028	Lever–Control	459	281505	Plate–Ratchet
133	398187	Float–Carburetor	276	◆271716	Washer–Sealing	505	691251	Nut (Governor Control Lever)
134	●398188	Kit–Needle/Seat	287	690940	Screw (Dipstick Tube)	523	495264	Dipstick
137	◆693981	Gasket–Float Bowl	300	496106	Muffler (Super Lo Tone Tuned)	524	★692296	Seal–Dipstick Tube
146	690979	Key–Timing	304A	696307	Housing–Blower Note 696420 Housing–Blower Used on Type No(s). 0111.	525	495265	Tube–Dipstick
159	691753	Bracket–Air Cleaner Primer				529	691923	Grommet
163	★◆272653	Gasket–Air Cleaner				562	92613	Bolt (Governor Control Lever)
187	691050	Line–Fuel (Cut to Required Length)	305	691108	Screw (Blower Housing)	563	691138	Screw (Debris Guard Screen)
188	690877	Screw (Control Bracket)	306	690450	Shield–Cylinder	564	690664	Screw (Control Cover)
190	690940	Screw (Fuel Tank)	307	690345	Screw (Cylinder Shield)	584	697734	Cover–Breather Passage
202	691829	Link–Mechanical Governor	332	690662	Nut (Flywheel)	585	★691879	Gasket–Breather Passage
209B	691292	Spring–Governor (Red) Used on Type No(s). 0105, 0111. Note 691291 Spring–Governor (Black) Used on Type No(s). 0100, 0110.	333	802574	Armature–Magneto	592	690800	Nut (Rewind Starter)
			334	691061	Screw (Magneto Armature)	597	691696	Screw (Pawl Friction Plate)
			337	802592	Plug–Spark	601	95162	Clamp–Hose (Green)
			356	692390	Wire–Stop	604	691757	Cover–Control
			358	497316	Gasket Set–Engine	608	497680	Starter–Rewind
			363	19069	Puller–Flywheel	613	691340	Screw (Muffler)
			365	692524	Screw (Carburetor)	615	690340	Retainer–Governor Shaft
222	692031	Bracket–Control (Remote/Manual Friction)(Primer)	374	691074	Washer (Camshaft)	616	698801	Crank–Governor
227	690783	Lever–Governor Control	383	89838	Wrench–Spark Plug	617	★◆270344	Seal–O Ring (Intake Manifold)
265	690798	Clamp–Casing	404	690272	Washer (Governor Crank)	621	692310	Switch–Stop
267	691044	Screw (Casing Clamp)	425A	690670	Screw (Air Cleaner Cover)	633	◆691321	Seal–Choke/Throttle Shaft
268	691025	Casing–Control Wire (Cut to Required Length)	443A	692523	Screw (Air Cleaner Primer Base)	635	66538	Boot–Spark Plug
269	691026	Wire–Control (Cut to Required Length)	445A	491588	Filter–Air Cleaner Cartridge	668	★493823	Spacer (Includes 2)
			455	695161	Cup–Flywheel	670	692294	Spacer–Fuel Tank

★ Included in Engine Gasket Set–Ref. No.358.

● Included in Carburetor Overhaul Kit–Ref. No. 121.

◆ Included in Carburetor Gasket Set–Ref. No. 977.

⊘ Included in Valve Gasket Set–Ref. No 1095.

Illustrations cover a range of engines. Parts shown without corresponding text may not be used on your specific engine.
5052–7 Assemblies include all parts shown in frames. **09/29/2004**

121H00

REF. NO.	PART NO.	DESCRIPTION	REF. NO.	PART NO.	DESCRIPTION	REF. NO.	PART NO.	DESCRIPTION
676E	393760	Deflector-Muffler (Side Out)	870	690380	Seat-Valve (Exhaust)	1036	790412	Label-Emission (Used After Code Date 04063000).
677	690661	Screw (Muffler Deflector)	871	262001	Bushing-Valve Guide (Exhaust)			Note
684	690345	Screw (Breather Passage Cover)			Note			695111 Label-Emission (Used Before Code Date 04070100).
689	691855	Spring-Friction			63709 Bushing-Valve Guide (Intake)			790413 Label-Emission (Used On Engines With D1 Trim) (Used After Code Date 04063000).
703	696309	Clip	883	*Ø691881	Gasket-Exhaust			697378 Label-Emission (Used On Engines With D1 Trim) (Used Before Code Date 04070100).
715	691147	Screw (Stop Shaft)	922	692135	Spring-Brake			
718	690959	Pin-Locating	923	695891	Brake			
721	690449	Stop-Shaft	925	690595	Cover-Linkage			
741	790345	Gear-Timing (Use Without Woodruff Key)	949	696306	Guard-Debris Screen			
		Note	957	397974	Cap-Fuel Tank (Plastic)			
		691830 Gear-Timing (Uses Woodruff Key)	966A	496116	Base-Air Cleaner Primer			
743	691772	Gear-Drive	967A	493537	Filter-Pre Cleaner			
745	691648	Screw (Brake)	968B	692298	Cover-Air Cleaner			
832	499034	Muffler-Guard	970	691681	Screw (Air Cleaner Primer Bracket)	1058	275177	Manual-Owner's
836	690664	Screw (Muffler Guard)			972B 693377 Tank-Fuel (Plastic)	1059	692311	Kit-Screw/Washer
842	*691031	Seal-O Ring (Dipstick Tube)			975 493640 Bowl-Float	1095	498528	Gasket Set-Valve
847	692017	Dipstick/Tube Assembly			976 694395 Primer-Carburetor	1210	498144	Pulley/Spring Assembly (Pulley)
851	493880	Terminal-Spark Plug			977 498261 Gasket Set-Carburetor			1211 498144 Pulley/Spring Assembly (Spring)
869	691155	Seat-Valve (Intake)	997	696310	Shield-Debris	1229	696308	Extension-Blower Housing
			1005	691346	Fan-Flywheel	1330	270962	Manual-Repair
			1019	696438	Kit-Label			

★ Included in Engine Gasket Set-Ref. No.358.

● Included in Carburetor Overhaul Kit-Ref. No. 121.

◆ Included in Carburetor Gasket Set-Ref. No. 977.

Ø Included in Valve Gasket Set-Ref. No 1095.

Illustrations cover a range of engines. Parts shown without corresponding text may not be used on your specific engine.

5052-8

Assemblies include all parts shown in frames.

09/29/2004