

121K00

Illustrated Parts List

Model Series

121K00

TYPE NUMBERS
0349 through 0355.

TABLE OF CONTENTS

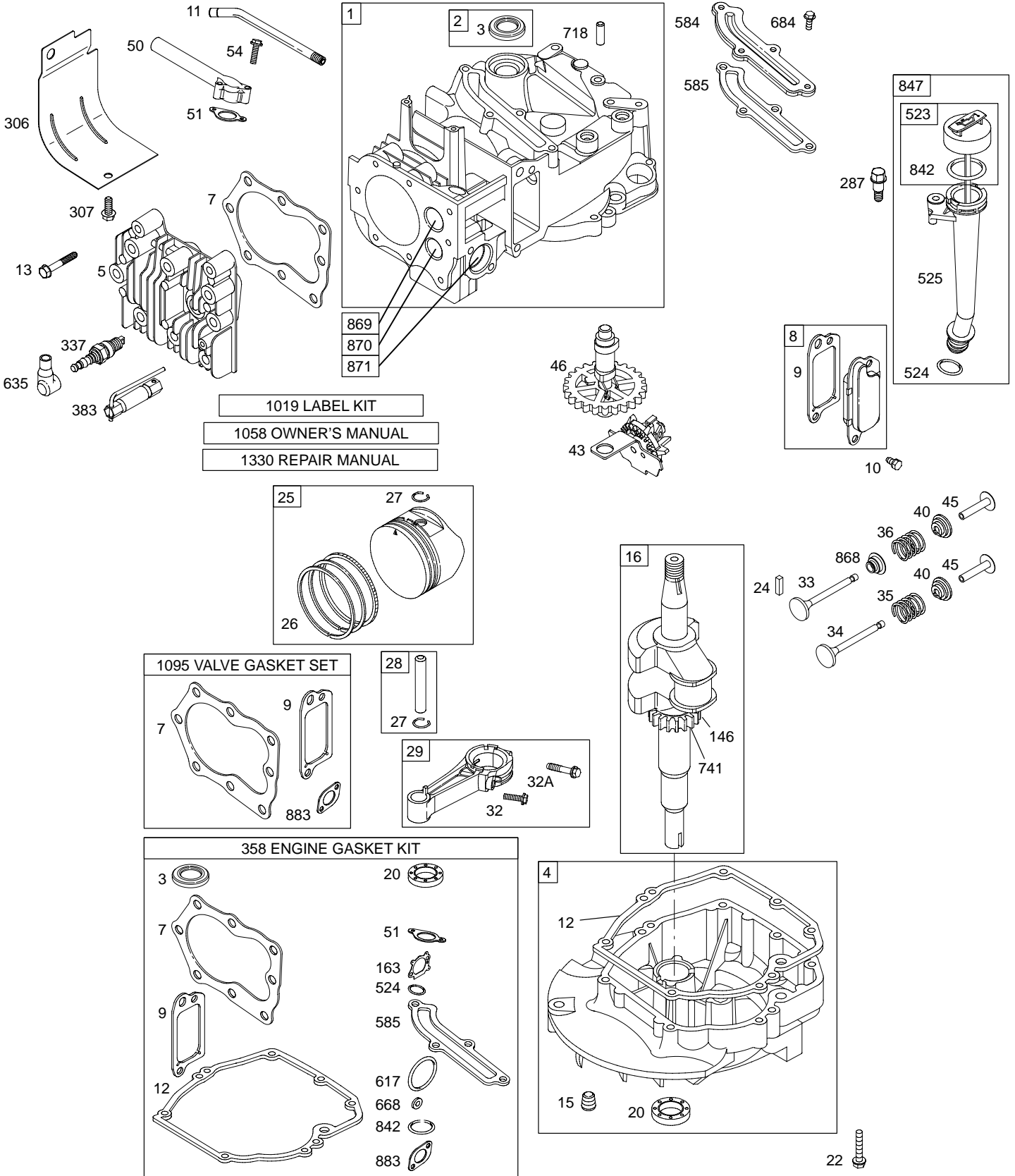
Air Cleaner	4
Blower Housing/Shrouds	4
Camshaft	2
Carburetor	3
Controls	4
Crankshaft	2
Cylinder	2
Electrical	4
Engine Sump	2
Exhaust System	4
Flywheel	4
Fuel Supply	3
Governor Spring	4
Ignition	4
Kits/Gaskets	2 & 3
Lubrication	2
Piston Group	2
Rewind Starter	4
Valves	2



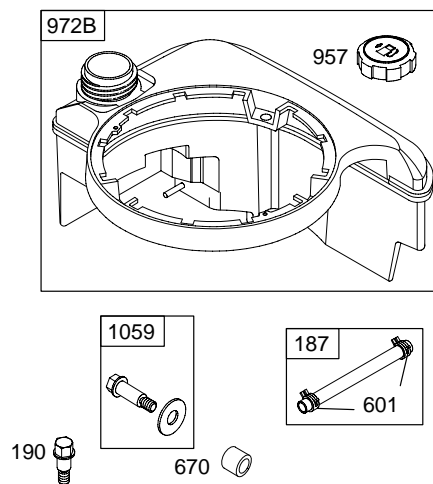
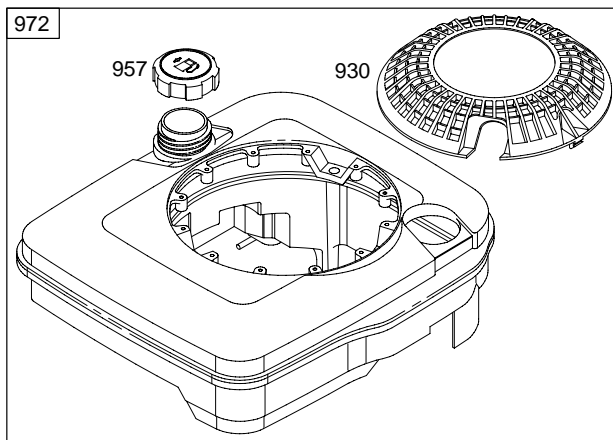
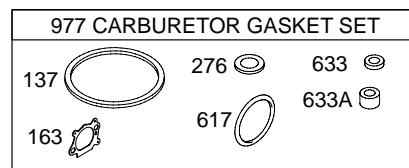
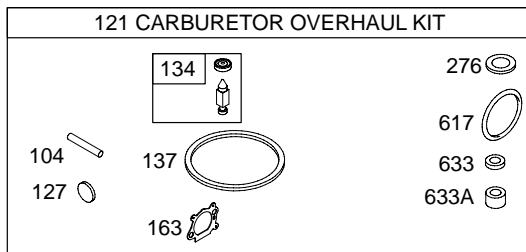
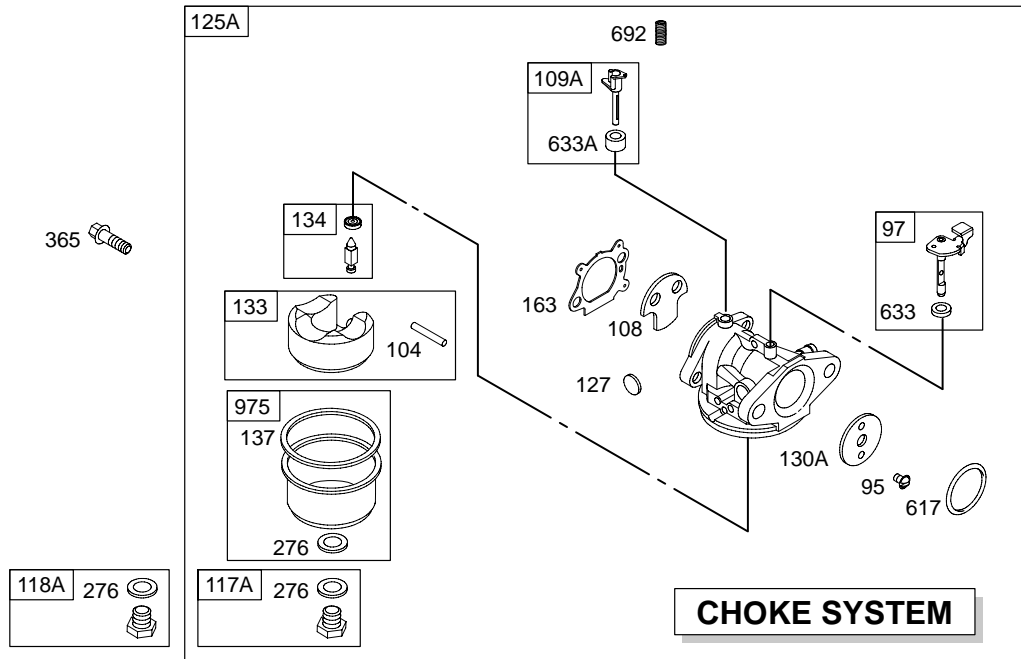
PRINTED IN U.S.A.

COPYRIGHT by BRIGGS & STRATTON CORPORATION
All rights reserved. No part of this material may be reproduced or transmitted,
in any form or by any means, electronic or mechanical, including photocopying,
recording or by any information storage and retrieval system, without permission
in writing from Briggs & Stratton Corporation.

121K00

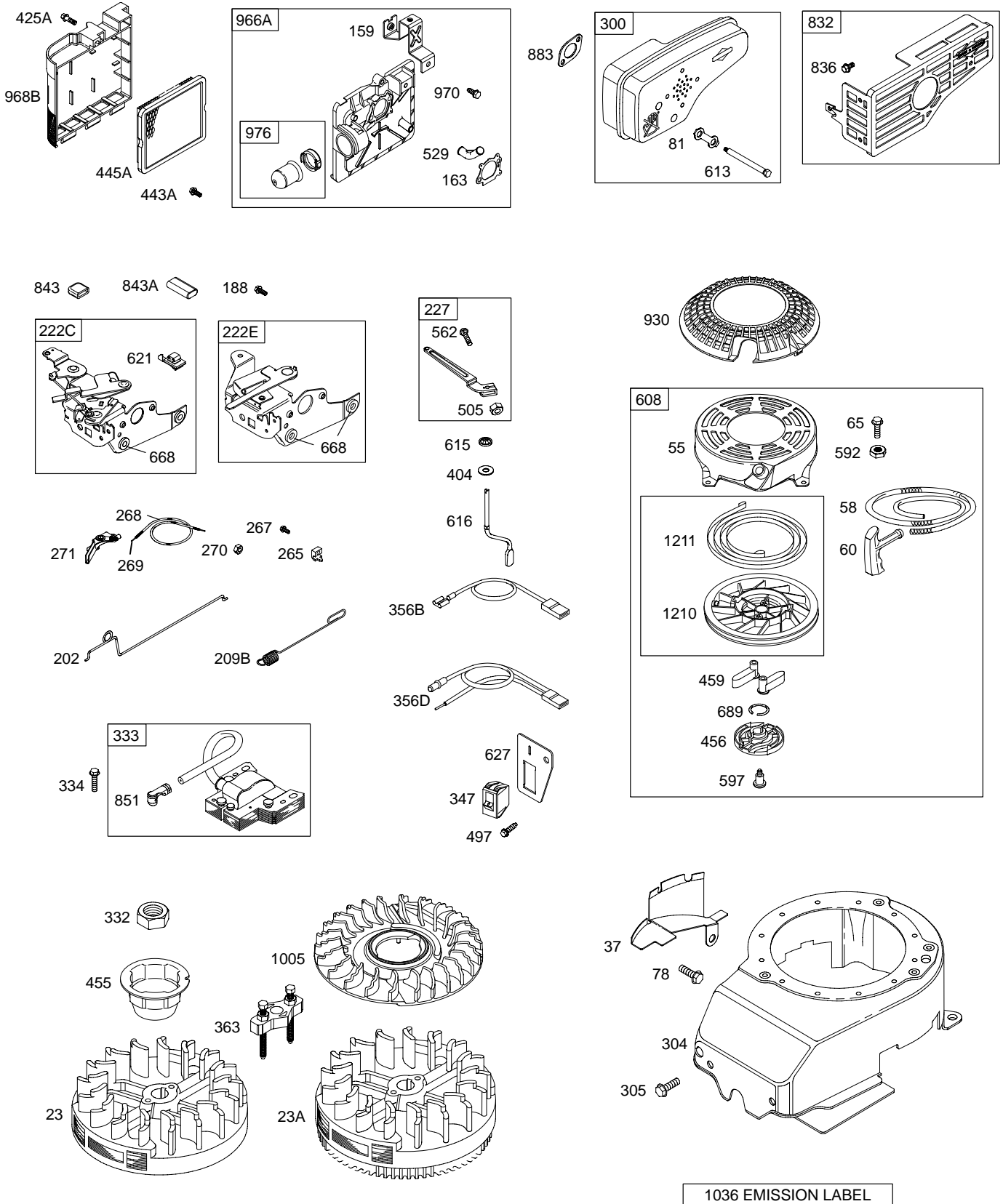


Illustrations cover a range of engines. Parts shown without corresponding text may not be used on your specific engine. 3240-2 Assemblies include all parts shown in frames. 09/15/2004



Illustrations cover a range of engines. Parts shown without corresponding text may not be used on your specific engine.
 3240-3 Assemblies include all parts shown in frames. 09/15/2004

121K00



Illustrations cover a range of engines. Parts shown without corresponding text may not be used on your specific engine.
 3240-4 Assemblies include all parts shown in frames. 09/15/2004

REF. NO.	PART NO.	DESCRIPTION	REF. NO.	PART NO.	DESCRIPTION	REF. NO.	PART NO.	DESCRIPTION	
1	697322	Cylinder Assembly	26	790360	Ring Set (Standard)	97	493267	Shaft-Throttle	
2	399269	Kit-Bushing/Seal (Magneto Side)			Note	104	●691242	Pin-Float Hinge	
3	★299819	Seal-Oil (Magneto Side)			499427	Ring Set (.020" Oversize)	108	691182	Valve-Choke
4	493279	Sump-Engine	27	691866	Lock-Piston Pin	109A	498593	Shaft-Choke	
5	691160	Head-Cylinder	28	499423	Pin-Piston (Standard)	117A	498978	Jet-Main (Standard)	
7	★∅692249	Gasket-Cylinder Head	29	499424	Rod-Connecting (Standard)	118A	497466	Jet-Main (High Altitude)	
8	695250	Breather Assembly	32	691664	Screw (Connecting Rod)	121	498260	Kit-Carburetor Overhaul	
9	★∅696125	Gasket-Breather	32A	695759	Screw (Connecting Rod)	125A	499059	Carburetor (Choke System)	
10	691125	Screw (Breather Assembly)	33	262651	Valve-Exhaust	127	●694468	Plug-Welch	
11	691781	Tube-Breather	34	262652	Valve-Intake	130A	691203	Valve-Throttle	
12	★692232	Gasket-Crankcase	35	691270	Spring-Valve (Intake)	133	398187	Float-Carburetor	
13	690912	Screw (Cylinder Head)	36	691270	Spring-Valve (Exhaust)	134	●398188	Kit-Needle/Seat	
15	691680	Plug-Oil Drain (Square Socket)	37	694086	Guard-Flywheel	137	◆693981	Gasket-Float Bowl	
16	691455	Crankshaft Used on Type No(s). 0355.	40	692194	Retainer-Valve	146	690979	Key-Timing	
		Note	43	691997	Slinger-Governor/Oil	159	691753	Bracket-Air Cleaner Primer	
		694478 Crankshaft Used on Type No(s). 0349.	45	690548	Tappet-Valve	163	◆272653	Gasket-Air Cleaner	
20	★399781	Seal-Oil (PTO Side)	46	691449	Camshaft	187	691050	Line-Fuel (Cut to Required Length)	
22	691092	Screw (Crankcase Cover/Sump)	50	497465	Manifold-Intake	188	693399	Screw (Control Bracket)	
23	692315	Flywheel (Rewind Start)	51	★272199	Gasket-Intake	190	690940	Screw (Fuel Tank)	
23A	691992	Flywheel (Electric Start)	54	691650	Screw (Intake Manifold)	202	691829	Link-Mechanical Governor	
24	222698	Key-Flywheel	55	691421	Housing-Rewind Starter	209B	691291	Spring-Governor	
25	790359	Piston Assembly (Standard)	58	697316	Rope-Starter (Cut To Required Length)	222C	692150	Bracket-Control (Variable Speed) (5 Postion Manual Choke)	
		Note	60	281434	Grip-Starter Rope	222E	692982	Bracket-Control (Manual Friction, 5 Postion Manual Choke)	
		697341 Piston Assembly (.020" Oversize)	65	690837	Screw (Rewind Starter)	227	690783	Lever-Governor Control	
			78	691108	Screw (Flywheel Guard)				
			81	691740	Lock-Muffler Screw				
			95	691636	Screw (Throttle Valve)				

★ Included in Engine Gasket Set-Ref. No.358.

● Included in Carburetor Overhaul Kit-Ref. No. 121.

◆ Included in Carburetor Gasket Set-Ref. No. 977.

∅ Included in Valve Gasket Set-Ref. No 1095.

Illustrations cover a range of engines. Parts shown without corresponding text may not be used on your specific engine.

121K00

REF. NO.	PART NO.	DESCRIPTION	REF. NO.	PART NO.	DESCRIPTION	REF. NO.	PART NO.	DESCRIPTION
265	690798	Clamp—Casing	425A	690670	Screw (Air Cleaner Cover)	633	◆◆691321	Seal—Choke/Throttle Shaft (Throttle)
267	691044	Screw (Casing Clamp)	443A	692523	Screw (Air Cleaner Primer Base)	633A	◆◆693867	Seal—Choke/Throttle Shaft (Choke)
268	691072	Casing—Control Wire (Cut to Required Length)	445A	491588	Filter—Air Cleaner Cartridge	635	66538	Boot—Spark Plug
269	691589	Wire—Control (Cut to Required Length)	455	695161	Cup—Flywheel	668	★493823	Spacer (Includes 2)
270	691027	Nut (Control Wire Casing)	456	692299	Plate—Pawl Friction	670	692294	Spacer—Fuel Tank
271	691028	Lever—Control	459	281505	Plate—Ratchet	684	690345	Screw (Breather Passage Cover)
276	◆271716	Washer—Sealing (Main Jet)	497	690664	Screw (Stopswitch Bracket)	689	691855	Spring—Friction
287	690940	Screw (Dipstick Tube)	505	691251	Nut (Governor Control Lever)	692	690572	Spring—Detent
300	496106	Muffler (Super Lo Tone Tuned)	523	495264	Dipstick	718	690959	Pin—Locating
304	493294	Housing—Blower	524	★692296	Seal—Dipstick Tube	741	790345	Gear—Timing (Use Without Woodruff Key)
305	691108	Screw (Blower Housing)	525	495265	Tube—Dipstick			Note
306	690450	Shield—Cylinder	529	691923	Grommet			691830 Gear—Timing (Uses Woodruff Key)
307	690345	Screw (Cylinder Shield)	562	92613	Bolt (Governor Control Lever)	832	499034	Guard—Muffler
332	690662	Nut (Flywheel)	584	697734	Cover—Breather Passage	836	690664	Screw (Muffler Guard)
333	802574	Armature—Magneto	585	★691879	Gasket—Breather Passage	842	★691031	Seal—O Ring (Dipstick Tube)
334	691061	Screw (Magneto Armature)	592	690800	Nut (Rewind Starter)	843	691884	Sleeve—Lever (Control Bracket)
337	802592	Plug—Spark (Resistor)	597	691696	Screw (Pawl Friction Plate)	843A	691895	Sleeve—Lever (Choke)
347	691396	Switch—Rocker	601	95162	Clamp—Hose	847	692017	Dipstick/Tube Assembly
356B	693010	Wire—Stop	608	497680	Starter—Rewind	851	493880	Terminal—Spark Plug
356D	496381	Wire—Stop	613	691340	Screw (Muffler)	868	697338	Seal—Valve
358	497316	Gasket Set—Engine	615	690340	Retainer—Governor Shaft	869	691155	Seat—Valve (Intake)
363	19069	Flywheel Puller	616	698801	Crank—Governor	870	690380	Seat—Valve (Exhaust)
365	692524	Screw (Carburetor)	617	★◆270344	Seal—O Ring (Intake Manifold)			63709 Bushing—Valve Guide (Intake)
383	89838	Wrench—Spark Plug	621	692310	Switch—Stop			
404	690272	Washer (Governor Crank)	627	692872	Bracket—Stopswitch			

★ Included in Engine Gasket Set—Ref. No.358.

● Included in Carburetor Overhaul Kit—Ref. No. 121.

◆ Included in Carburetor Gasket Set—Ref. No. 977.

⊘ Included in Valve Gasket Set—Ref. No 1095.

Illustrations cover a range of engines. Parts shown without corresponding text may not be used on your specific engine.

3240-6

Assemblies include all parts shown in frames.

09/15/2004

REF. NO.	PART NO.	DESCRIPTION	REF. NO.	PART NO.	DESCRIPTION	REF. NO.	PART NO.	DESCRIPTION
871	262001	Bushing-Valve Guide (Exhaust) Note 63709 Bushing-Valve Guide (Intake)	970	691669	Screw (Air Cleaner Primer Bracket)	1036	790411	Label-Emission
883	★∅691881	Gasket-Exhaust	972	695887	Tank-Fuel (Plastic)	1058	275177	Manual-Owner's
930	691919	Guard-Rewind (Round)	972B	693377	Tank-Fuel (Plastic)	1059	692311	Kit-Screw/Washer
957	397974	Cap-Fuel Tank (Plastic)	975	493640	Bowl-Float	1095	498528	Gasket Set-Valve
966A	496116	Base-Air Cleaner Primer	976	694395	Primer-Carburetor	1210	498144	Pulley/Spring Assembly (Pulley)
968B	692298	Cover-Air Cleaner	977	498261	Gasket Set-Carburetor	1211	498144	Pulley/Spring Assembly (Spring)
			1005	691346	Fan-Flywheel	1330	270962	Manual-Repair
			1019	494256	Kit-Label Note 790231 Kit-Label (Touch N Mow)			

★ Included in Engine Gasket Set-Ref. No.358.

● Included in Carburetor Overhaul Kit-Ref. No. 121.

◆ Included in Carburetor Gasket Set-Ref. No. 977.

∅ Included in Valve Gasket Set-Ref. No 1095.

Illustrations cover a range of engines. Parts shown without corresponding text may not be used on your specific engine.