

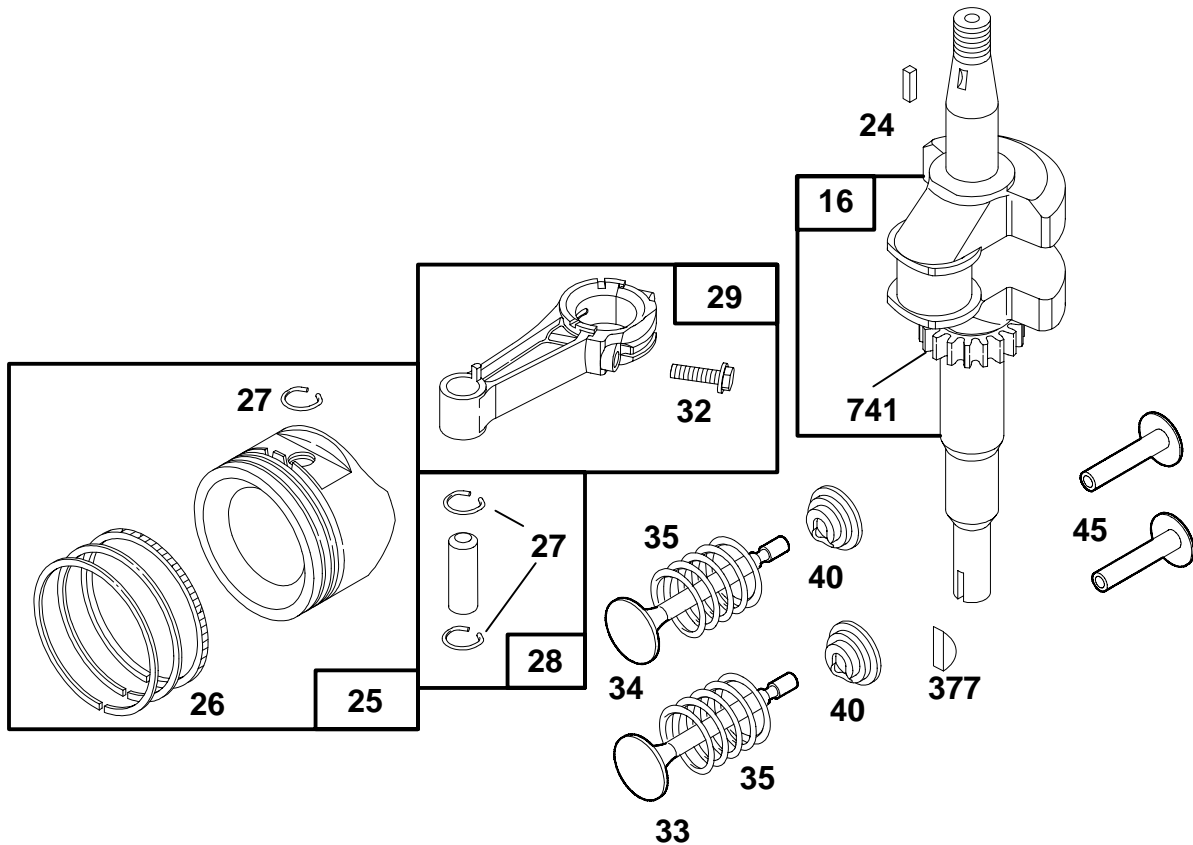
122800 to 122899

Illustrated Parts List Model Series 122800 to 122899

TYPE NUMBERS
0220, 0235,
0430 through 0435,
3201 through 3214,
3401 through 3422.

TO FIND THE CORRECT NUMBER OF THE PART YOU NEED: FOLLOW THE INSTRUCTIONS BELOW

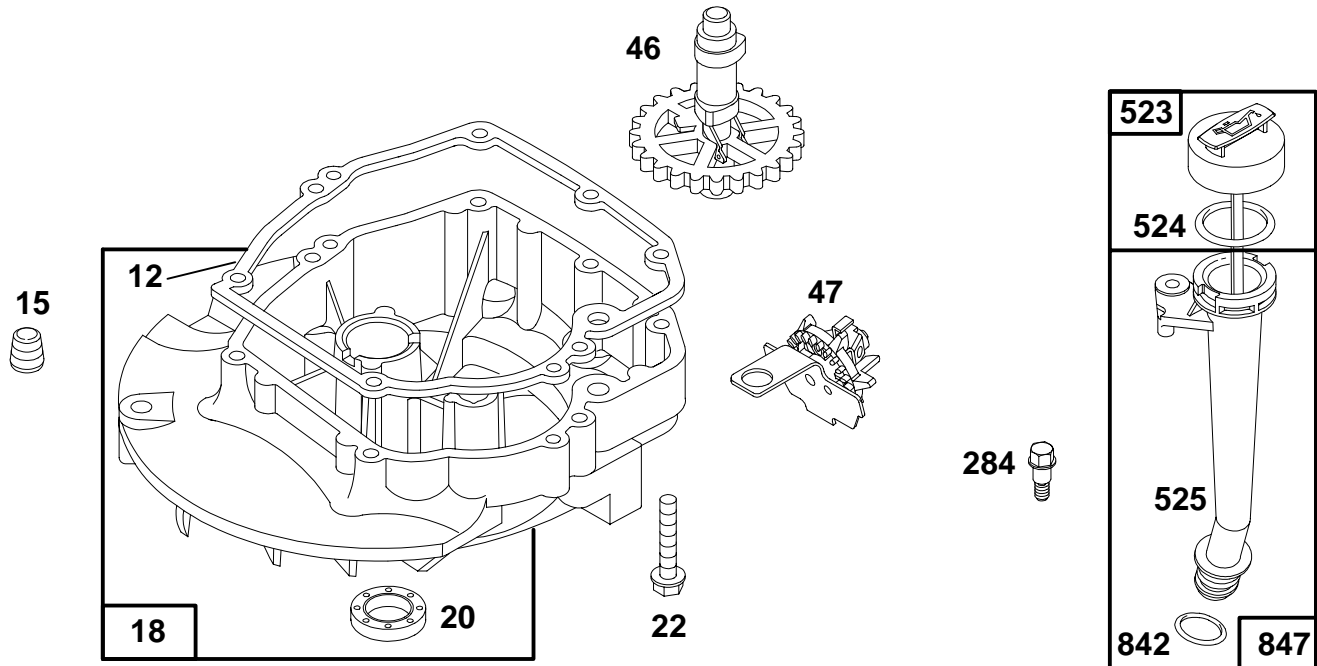
- A. Refer to Engine Model, Type and Code Number that is stamped on the blower housing of engine. Engine type numbers such as 0123 01 are listed only as 0123 in most instances. The two digits (01 or 02, etc.) to the right of the space may be required for more accurate parts identification in some instances. Select the Illustrated Parts List covering the correct Model Series and Type Number.
- B. Refer to the Illustrations and compare the original part with Illustration. The number next to the illustration is the Reference Number. Assemblies include all parts shown in frames. All parts shown in assembly frames having individual reference numbers can be purchased separately.
- C. After the Reference Number has been identified, refer to the Numerical text, where Reference and Primary Part Number are listed. **THE PRIMARY PART IS USED ON ALL TYPE NUMBERS EXCEPT THOSE TYPE NUMBERS UNDER "NOTE."**
- D. If a "Note" appears below the Primary Part Number, it means that this part differs from the Primary Part for certain types. If your Type number is listed under "Note," order the part referred to at the "Note."
- E. If your Engine Type Number does not appear after any part number listed under "Note," use the Primary Part Number.
- F. For Engine Type Numbers not covered by this book, check other Parts Lists having the same engine model or contact your source of supply.



REF. NO.	PART NO.	DESCRIPTION	REF. NO.	PART NO.	DESCRIPTION	REF. NO.	PART NO.	DESCRIPTION
16	493282	Crankshaft Note — For Timing Gear Key— Order Part No. 94388. 493362 Crankshaft Used on Type No(s). 0220, 0431, 0435, 3211, 3409, 3413, 3414. 493363 Crankshaft Used on Type No(s). 0235, 3213, 3411. 493947 Crankshaft Used on Type No(s). 3412. 496078 Crankshaft Used on Type No(s). 3416.						
			24	222698	Key–Flywheel	27	26026	Lock–Piston Pin
			25	493262	Piston Assy. (Standard) 493385 Piston Assy. (.010" O.S.) 493386 Piston Assy. (.020" O.S.) 493387 Piston Assy. (.030" O.S.)	28	298909	Pin–Piston (Standard) 298908 Pin–Piston (.005" O.S.)
						29	490566	Rod–Connecting 490743 Rod– Connecting (.020" Undersize)
			26	493261	Ring Set (Standard) 493388 Ring Set (.010" O.S.) 493389 Ring Set (.020" O.S.) 493390 Ring Set (.030" O.S.)	32	94699	Screw–Connecting Rod
						33	262651	Valve–Exhaust
						34	262652	Valve–Intake
						35	262224	Spring–Valve
						40	93312	Retainer–Valve
						45	262204	Tappet–Valve
						377	94329	Key–Woodruff (For 25 mm. Crankshaft)
						741	262598	Gear–Timing

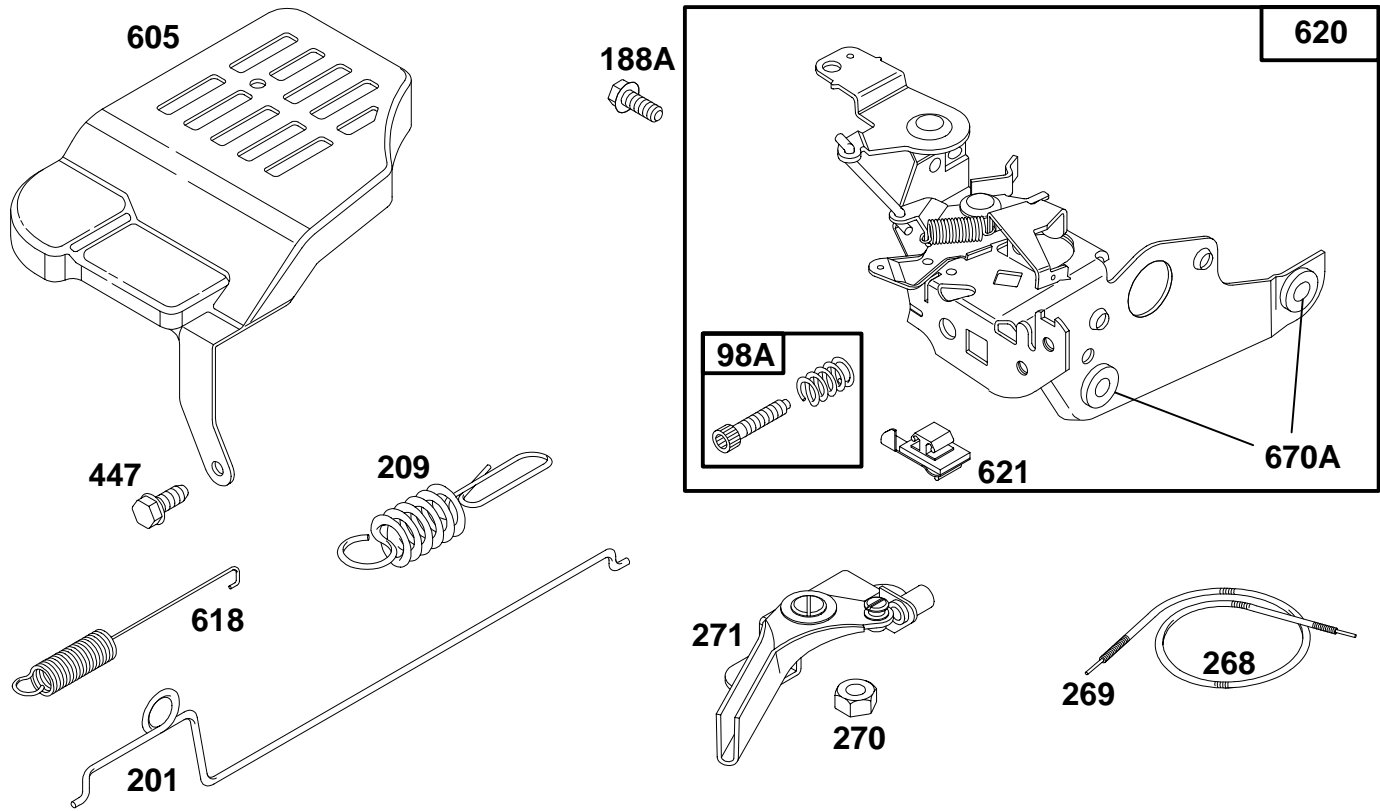
- ★ Included in Gasket Set—See Ref. 358.
- Included in Carburetor Kit—Part No. 493762.
- ◆ Included in Carburetor Gasket Set—Part No. 490937.

122800 to 122899



REF. NO.	PART NO.	DESCRIPTION	REF. NO.	PART NO.	DESCRIPTION	REF. NO.	PART NO.	DESCRIPTION
12	★272198	Gasket-Crankcase	523	495264	Cap-Oil Fill (Used After Code Date 92072600).			
15	94613	Plug-Oil Drain						Note
18	493279	Sump-Engine						493952 Tube-Oil Fill (Used Before Code Date 92072700).
20	★399781	Seal-Oil			Note			
22	94220	Screw-Hex. Head			493950 Cap-Oil Fill (Used Before Code Date 92072700).	842	★280966	Seal-Cap
		Note	524	★280393	Seal-Fill Tube	847	495263	Tube Assy.-Oil (Used After Code Date 92072600).
		94612 Screw-Hex. Head	525	495265	Tube-Oil Fill (Used After Code Date 92072600).			Note
		One Used in Hole Nearest Breather.						493459 Tube Assy.-Oil (Used Before Code Date 92072700).
46	492828	Gear-Cam						
47	493737	Slinger-Oil						
284	94511	Screw-Hex. Hd.						

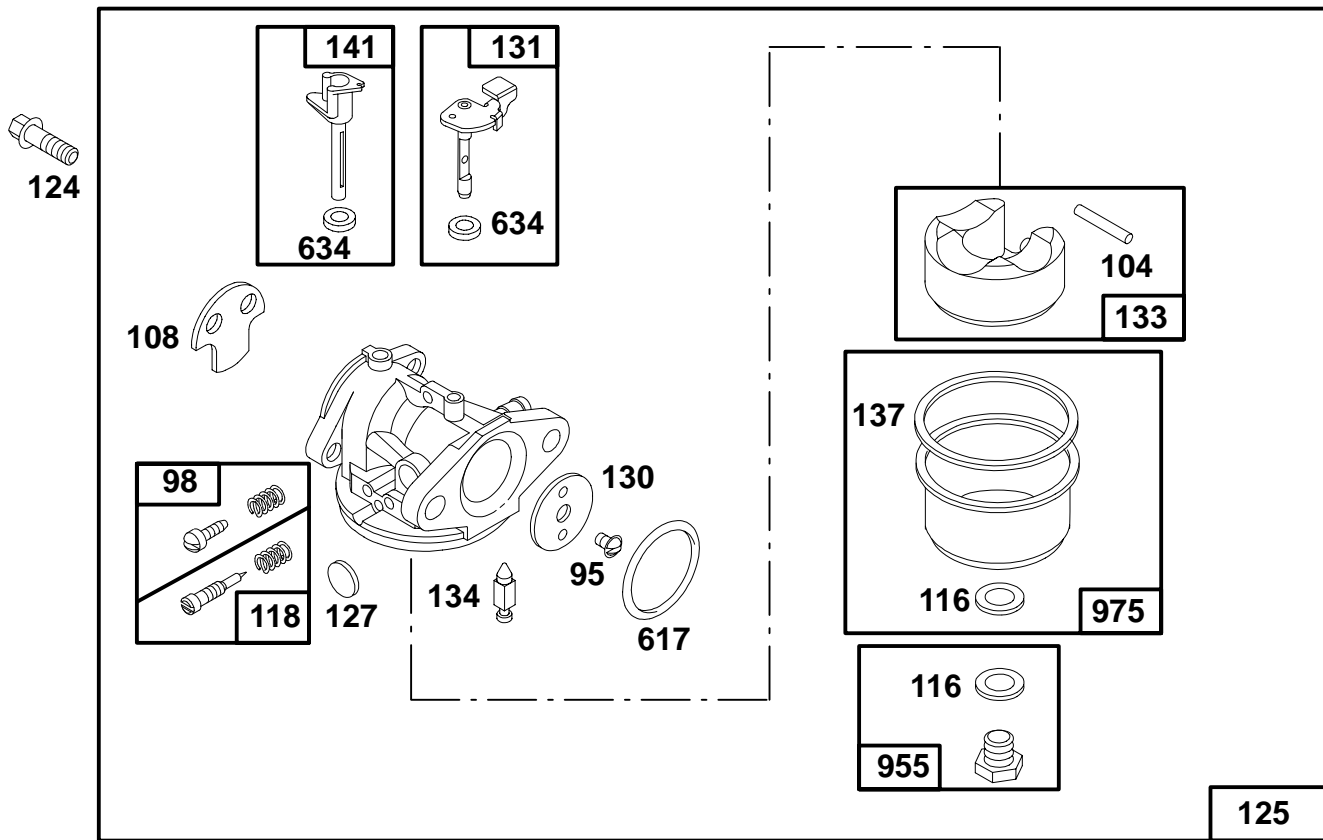
- ★ Included in Gasket Set-See Ref. 358.
- Included in Carburetor Kit-Part No. 493762.
- ◆ Included in Carburetor Gasket Set-Part No. 490937.



REF. NO.	PART NO.	DESCRIPTION	REF. NO.	PART NO.	DESCRIPTION	REF. NO.	PART NO.	DESCRIPTION
98A	493280	Screw—Speed Adj.		262666	Spring—Gov. Used on Type No(s). 0431.			If Longer Wire is Needed, Specify Length in Inches; if Shorter Wire is Needed, Cut to Required Length.
188A	94644	Screw—Hex. Head		262667	Spring—Gov. Used on Type No(s). 3422.			
201	262579	Link				270	63426	Locknut—Casing
209	262659	Spring—Governor				271	290568	Lever—Control
		Note				447	93801	Screw—Hex. Hd.
		262657 Spring—Gov. Used on Type No(s). 3212.	268	65616	Casing—Wire (72" Long)	605	224509	Bracket—Support
		262660 Spring—Gov. Used on Type No(s). 0235, 3409, 3411, 3416.			66986 Casing—Wire (48" Long)	618	262749	Spring
		262661 Spring—Gov. Used on Type No(s). 3201, 3208, 3412.			If Longer Casing is Needed, Specify Length in Inches; if Shorter Casing is Needed, Cut to Required Length.	620	495975	Bracket—Control (Used After Code Date 93080100).
		262662 Spring—Gov. Used on Type No(s). 3214, 3413, 3414.	269	26633	Wire—Control (78" Long)			Note
		262664 Spring—Gov. Used on Type No(s). 0220, 0430, 0433, 0435.			26099 Wire—Control (54" Long)			493894 Bracket—Control (Used Before Code Date 93080200).
						621	396847	Switch—Stop
						670A	★493823	Spacer (Includes 2)

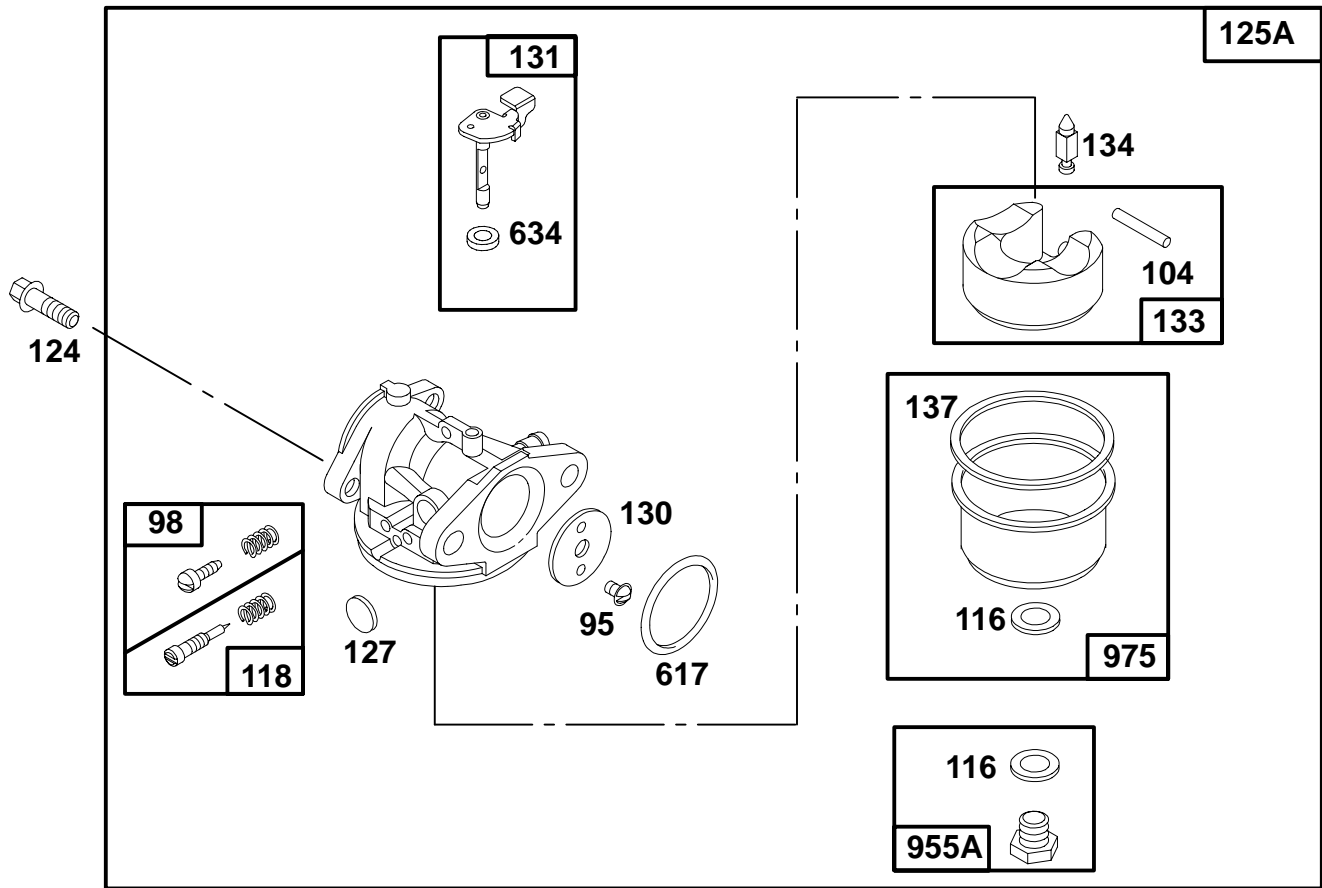
- ★ Included in Gasket Set—See Ref. 358.
- Included in Carburetor Kit—Part No. 493762.
- ◆ Included in Carburetor Gasket Set—Part No. 490937.

122800 to 122899



REF. NO.	PART NO.	DESCRIPTION	REF. NO.	PART NO.	DESCRIPTION	REF. NO.	PART NO.	DESCRIPTION
95	94098	Screw-Round Head	127	●	Plug-Welch (Sold in Kit Only)	955	493763	Screw-Bowl Mtg.
98	398185	Screw-Idle Adjustment	130	223470	Valve-Throttle			OR
104	●231371	Pin-Float Hinge	131	493267	Shaft-Throttle			494870 Screw-Bowl Mtg.
108	223471	Valve-Choke	133	398187	Float-Carburetor			(High Altitude)
116	◆	Gasket-Sealing (Sold in Kit Only)	134	●398188	Valve-Needle (Includes Seat)			Note
118	●493765	Valve Kit-Needle	137	◆	Gasket-Float Bowl (Sold in Kit Only)			496063 Screw-Bowl Mtg.
124	94525	Screw-Carburetor Mtg.	141	494218	Shaft-Choke			OR
125	494216	Carburetor	617	◆◆270344	Seal-Fuel Intake Tube			494870 Screw-Bowl Mtg.
		Note	634	◆◆	Washer-Shaft (Sold in Kit Only)			(High Altitude)
		493627 Carburetor (For Primer) (Used Before Code Date 93080200). Used on Type No(s). 3208, 3211, 3213, 3408, 3409, 3411, 3412, 3413.						(Used Before Code Date 93080200). Used on Type No(s). 3208, 3211, 3213, 3408, 3409, 3411, 3412, 3413.
								975 493640 Bowl-Float

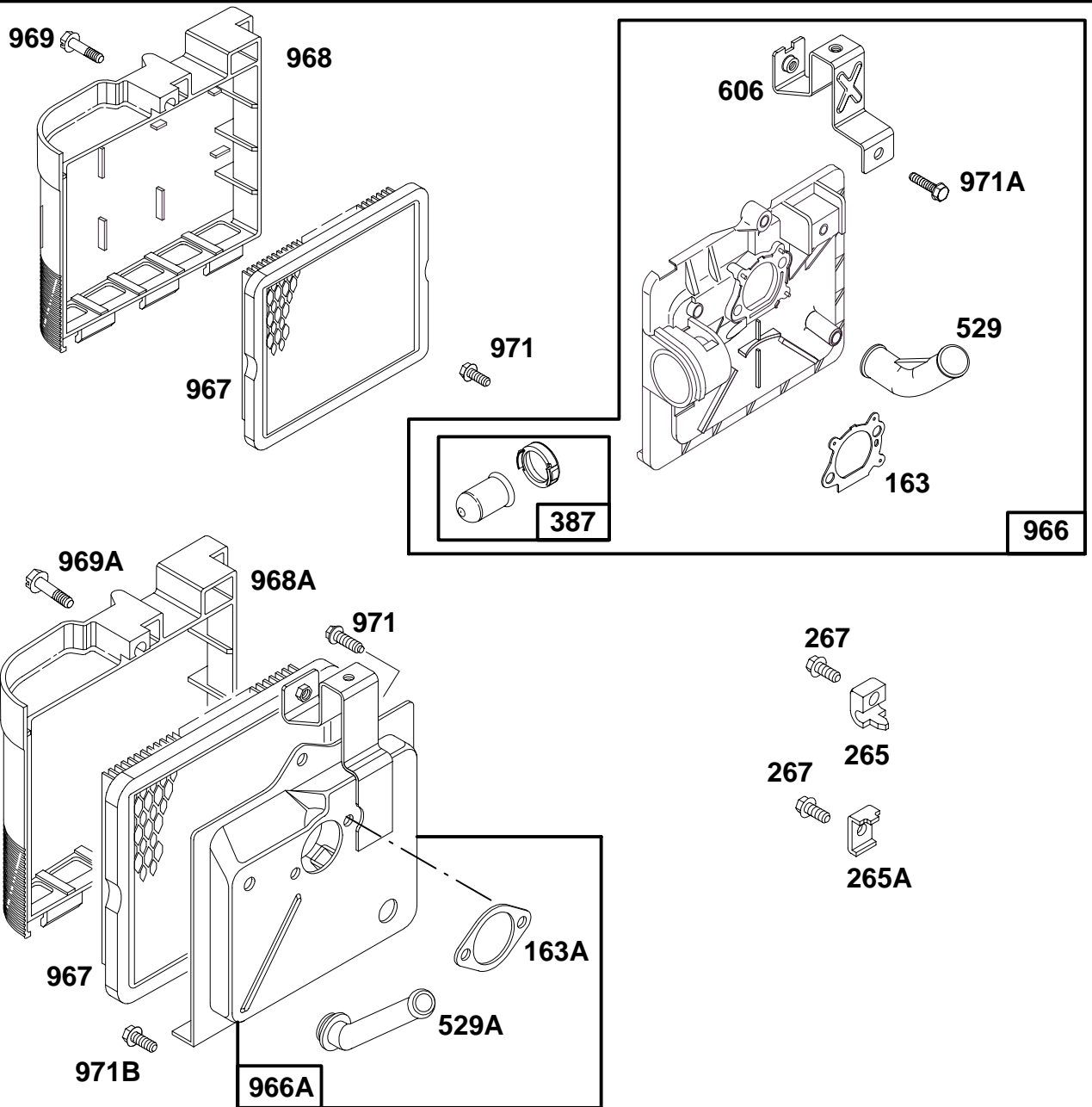
- ★ Included in Gasket Set-See Ref. 358.
- Included in Carburetor Kit-Part No. 493762.
- ◆ Included in Carburetor Gasket Set-Part No. 490937.



REF. NO.	PART NO.	DESCRIPTION	REF. NO.	PART NO.	DESCRIPTION	REF. NO.	PART NO.	DESCRIPTION
95	94098	Screw—Round Head	127	●	Plug—Welch (Sold in Kit Only)	617	●●270344	Seal—Fuel Intake Tube
98	398185	Screw—Idle Adjustment	130	223470	Valve—Throttle	634	●◆	Washer—Shaft (Sold in Kit Only)
104	●231371	Pin—Float Hinge	131	493267	Shaft—Throttle	955A	493637	Screw—Fuel Bowl (Standard)
116	●◆	Gasket—Sealing (Sold in Kit Only)	133	398187	Float—Carburetor	Note		
118	●493765	Valve Kit—Needle	134	●398188	Valve—Needle (Includes Seat)	496063		Screw—Fuel Bowl (For High Altitude)
124	94525	Screw—Carb. Mtg.	137	●◆	Gasket—Float Bowl (Sold in Kit Only)	975	493640	Bowl—Float
125	496114	Carburetor (For Primer) (Used After Code Date 93080100).						

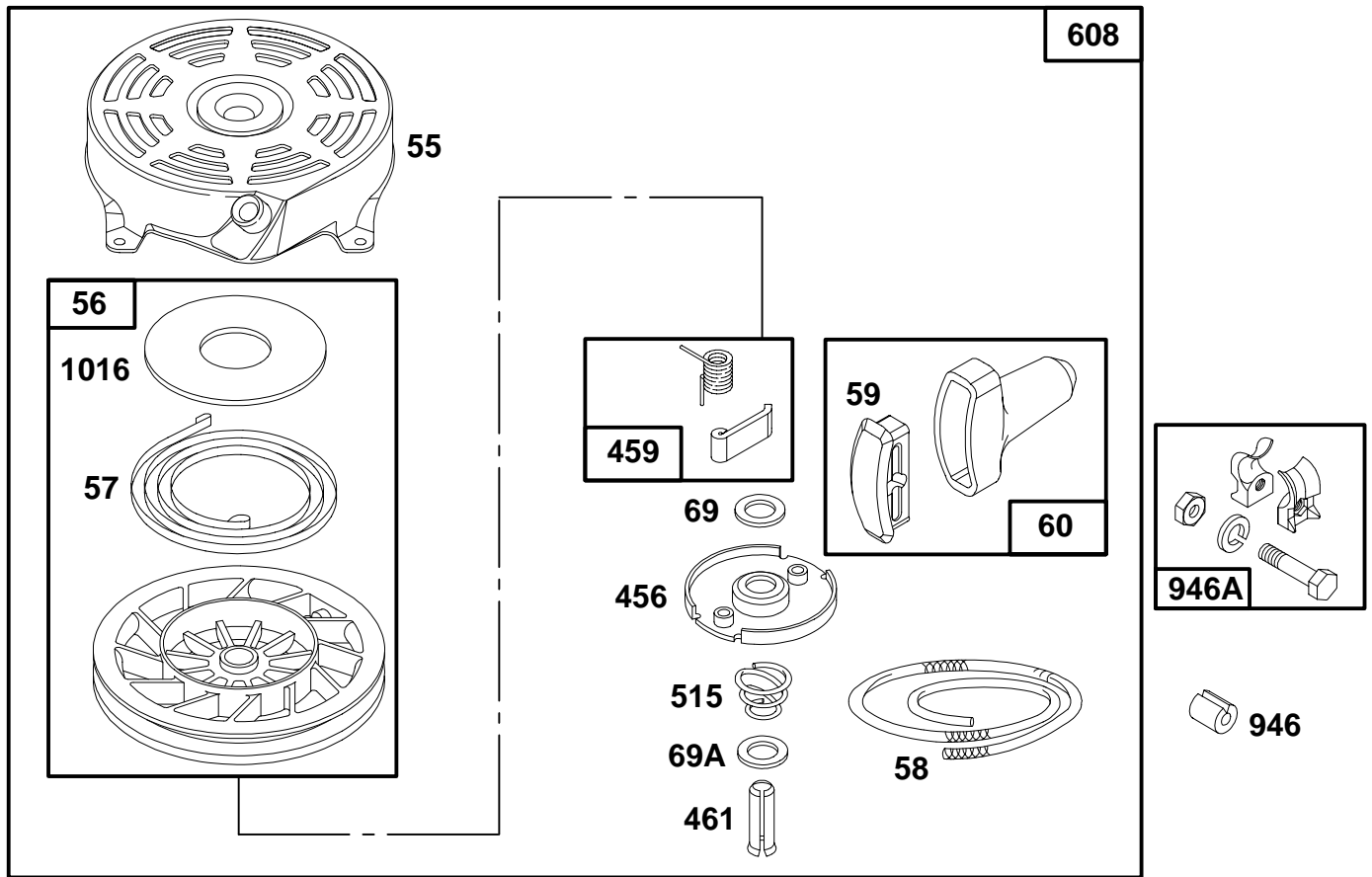
- ★ Included in Gasket Set—See Ref. 358.
- Included in Carburetor Kit—Part No. 493762.
- ◆ Included in Carburetor Gasket Set—Part No. 490937.

122800 to 122899



REF. NO.	PART NO.	DESCRIPTION	REF. NO.	PART NO.	DESCRIPTION	REF. NO.	PART NO.	DESCRIPTION
163	★272653	Gasket–Air Cleaner	966	496116	Base–Air Cleaner (Primer Style) (Used After Code Date 93080100).	967	491588	Filter–Air
163A	★272296	Gasket–Air Cleaner	966A	494670	Base–Air Cleaner (Metal) (Used Before Code Date 93080200)	968	281340	Cover–Air Cleaner
265	213146	Clamp–Casing				968A	281069	Cover–Air Cleaner
265A	221535	Clamp–Casing				969	94120	Screw–Air Cleaner
267	94694	Screw–Clamp Mtg.				969A	94173	Screw–Air Cleaner
387	496115	Primer–Carburetor				971	94121	Screw–Air Cleaner
529	281299	Grommet				971A	94749	Screw–Hex. Head
529A	280943	Grommet				971B	94269	Screw–Hex. Head
606	224815	Strap–Bracket						

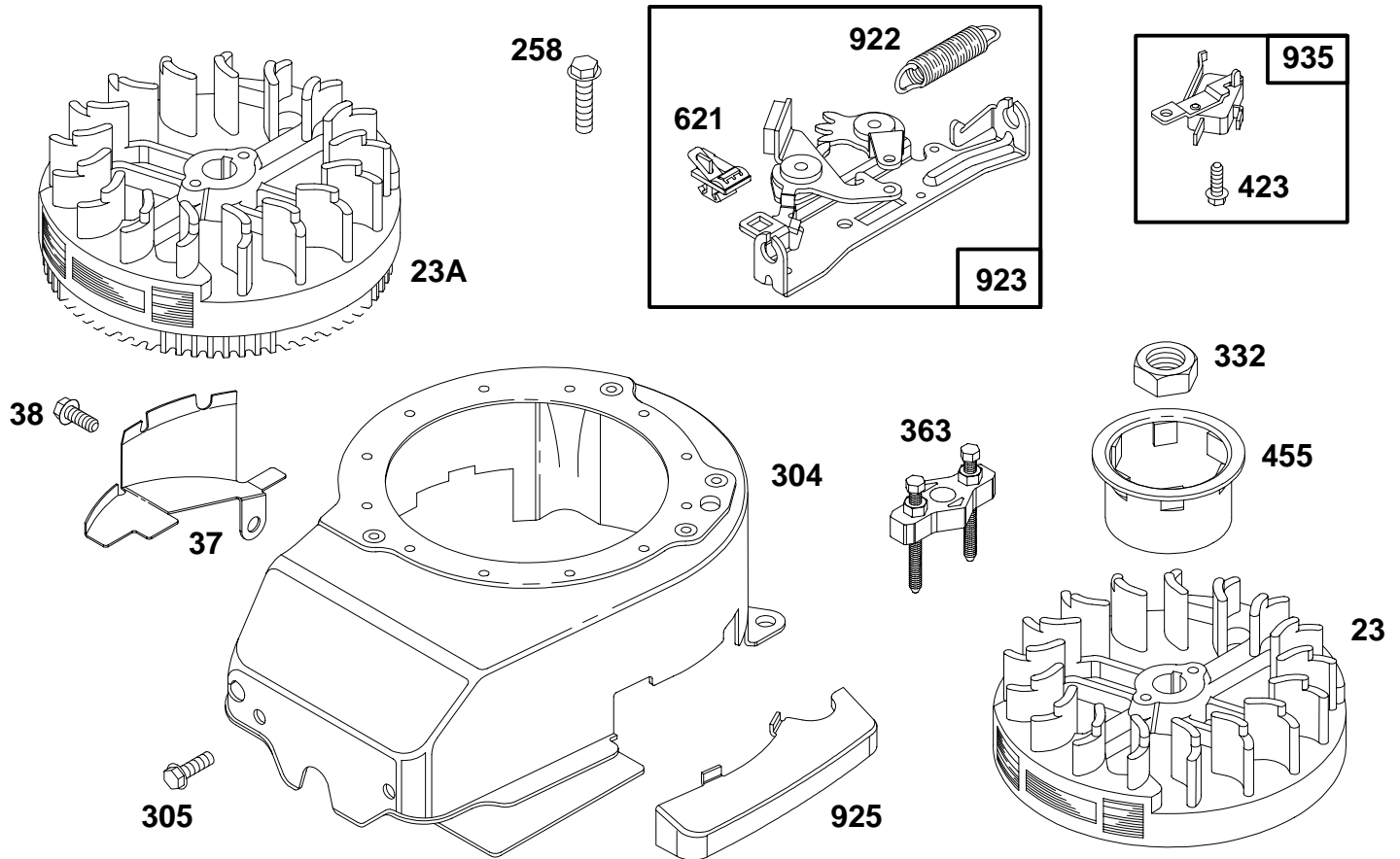
- ★ Included in Gasket Set–See Ref. 358.
- Included in Carburetor Kit–Part No. 493762.
- ◆ Included in Carburetor Gasket Set–Part No. 490937.



REF. NO.	PART NO.	DESCRIPTION	REF. NO.	PART NO.	DESCRIPTION	REF. NO.	PART NO.	DESCRIPTION
55	492831	Housing–Rewind Starter	60	393152	Grip–Starter Rope	608	493295	Starter–Rewind
56	493824	Pulley–Starter	69	280973	Washer–Spring			Include(s):
57	262594	Spring–Rewind Starter	69A	224322	Washer–Flat			94128 Screw–Hex. Hd
58	280399	Rope–Starter (Cut To Suit)	456	224321	Retainer–Spring			92987 Nut–Hex.
59	396892	Insert–Handle	459	492833	Pawl–Ratchet	946	223294	Stop–Rope
			461	262626	Pin–Shaft	946A	396526	Guide–Rope
			515	262625	Spring–Retainer	1016	224278	Cover–Pulley

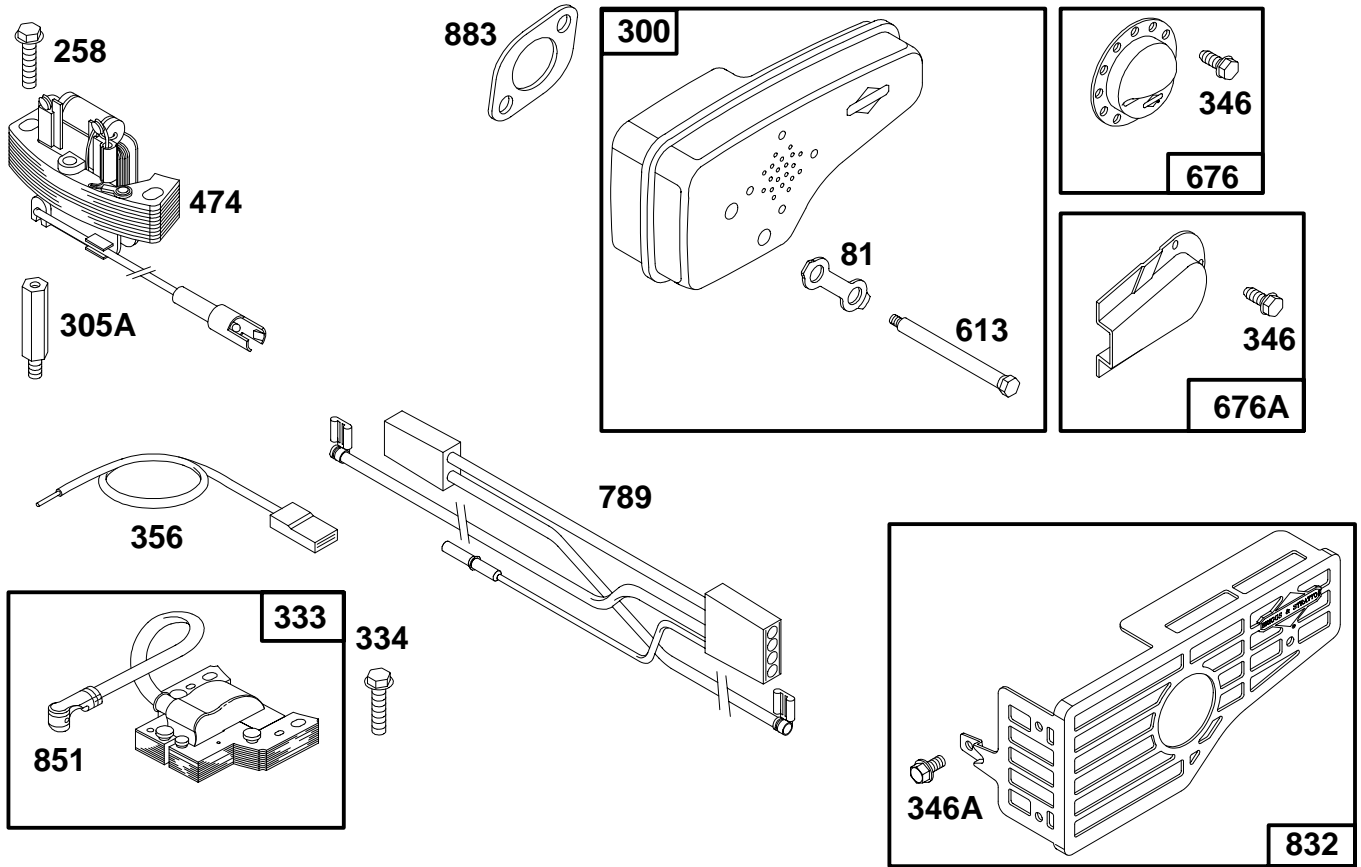
- ★ Included in Gasket Set–See Ref. 358.
- Included in Carburetor Kit–Part No. 493762.
- ◆ Included in Carburetor Gasket Set–Part No. 490937.

122800 to 122899



REF. NO.	PART NO.	DESCRIPTION	REF. NO.	PART NO.	DESCRIPTION	REF. NO.	PART NO.	DESCRIPTION
23	492177	Flywheel	304	493293	Housing—Blower	332	92284	Nut—Flywheel
23A	492175	Flywheel			Used on Engines	363	19069	Flywheel Puller
		Used on Model Series			With Band Brake.	423	93758	Screw—Hex. Head
		122807.			Note	455	224250	Cup—Flywheel
37	224511	Guard—Flywheel			493294 Housing—	621	396847	Switch—Stop
38	94608	Screw—Hex. Head			Blower	922	262640	Spring—Brake
258	94512	Screw—Hex. Head			Used On Engines	923	493442	Brake Assembly
					Without Band Brake.	925	281145	Cover—Brake
			305	94513	Screw—Hex. Head	935	398758	Switch—Interlock

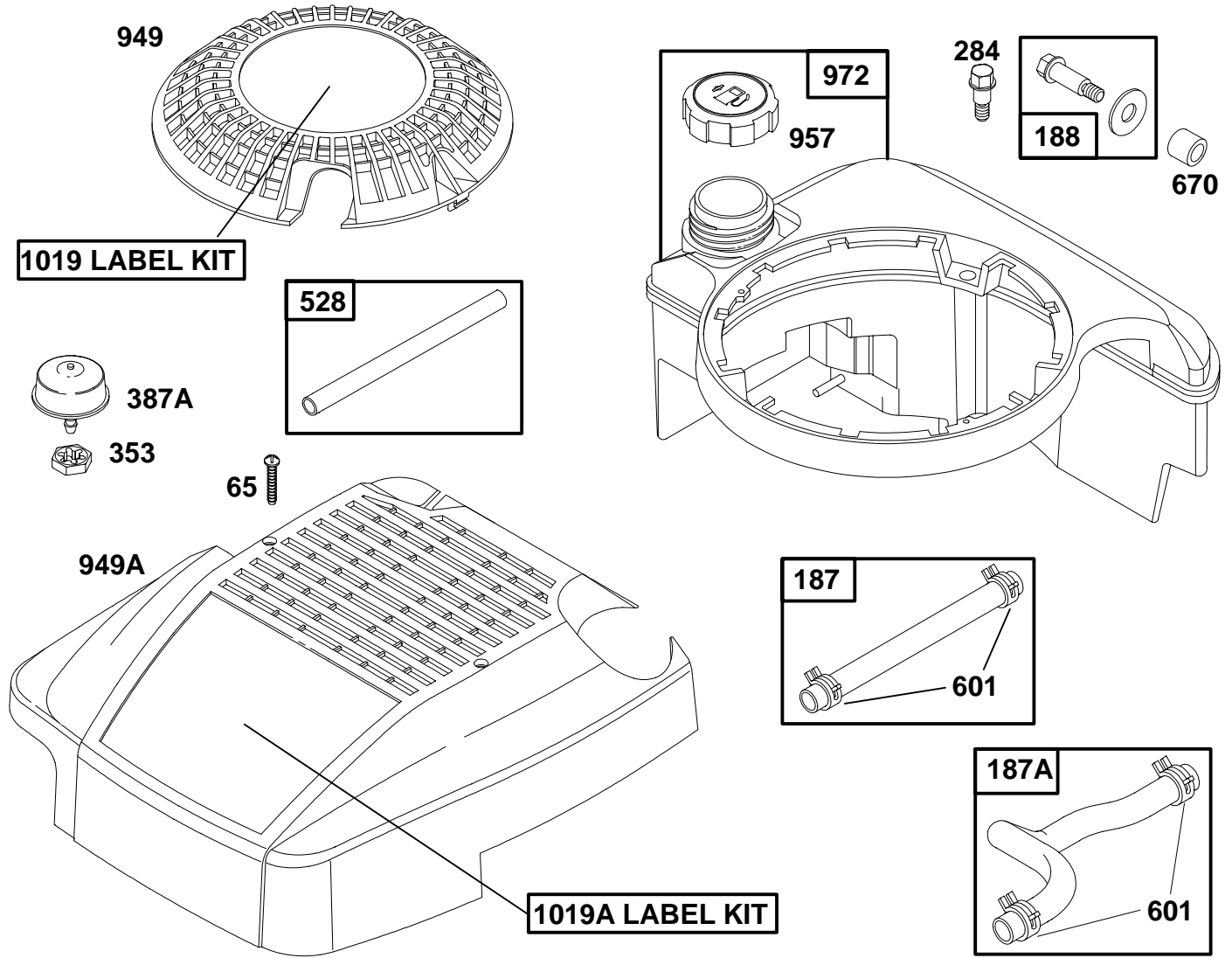
- ★ Included in Gasket Set—See Ref. 358.
- Included in Carburetor Kit—Part No. 493762.
- ◆ Included in Carburetor Gasket Set—Part No. 490937.



REF. NO.	PART NO.	DESCRIPTION	REF. NO.	PART NO.	DESCRIPTION	REF. NO.	PART NO.	DESCRIPTION
81	223664	Lock-Muffler Screw	346A	94602	Screw-Hex. Hd.	789	493380	Harness-Wiring Used on Engines With Band Brake.
258	94512	Screw-Hex. Head	356	398808	Wire-Stop	832	494224	Guard-Muffler
300	490547	Muffler-Exhaust	474	492841	Alternator	851	221798	Terminal-Cable
305A	94510	Stud-Stator Mounting	613	94231	Screw-Muffler Mtg.	883	★272253	Gasket-Exhaust Pipe
333	802574	Armature-Magneto	676	396548	Deflector-Muffler			
334	93381	Screw-Sem	676A	493871	Deflector-Muffler			
346	93705	Screw-Hex. Hd.						

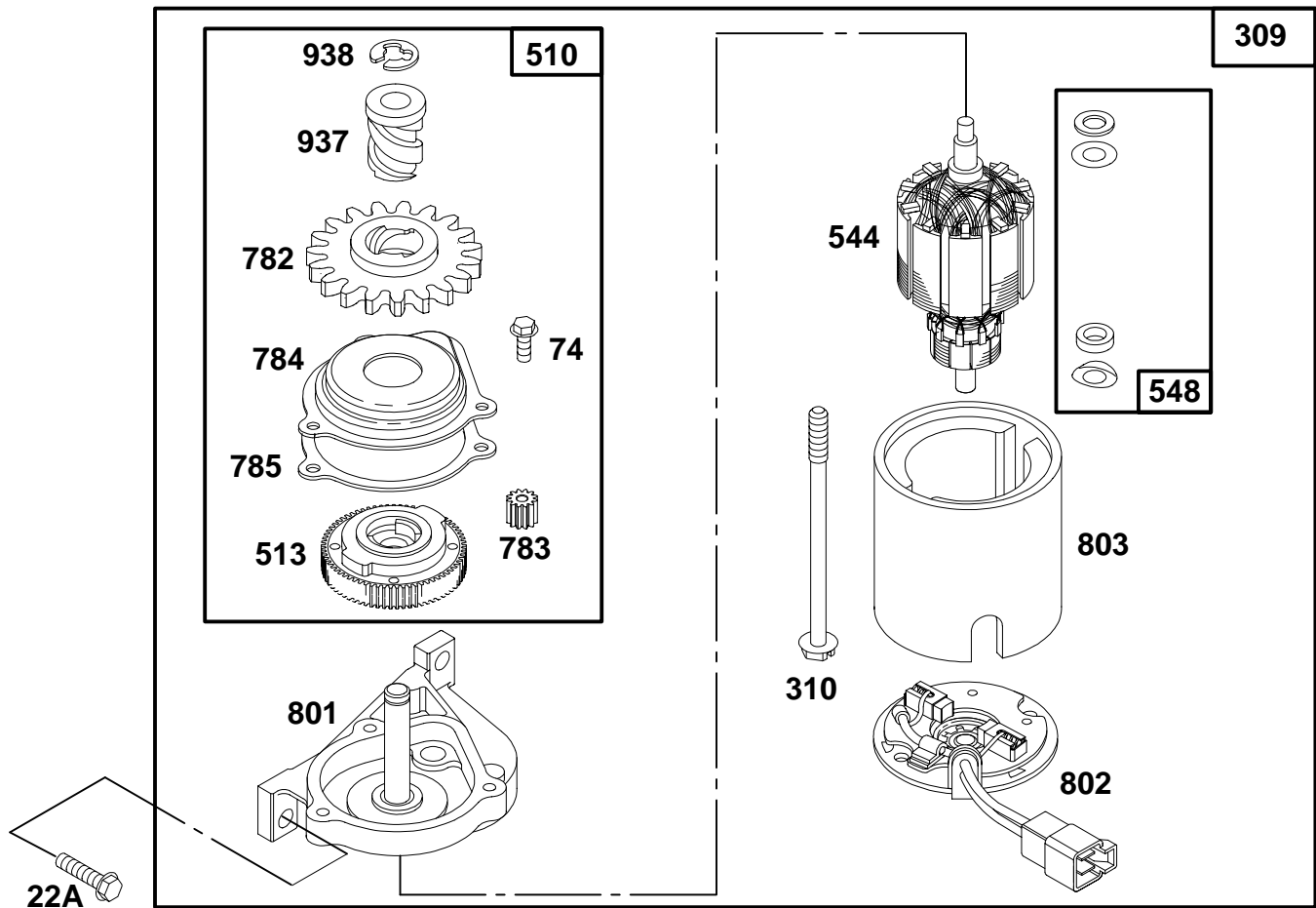
- ★ Included in Gasket Set-See Ref. 358.
- Included in Carburetor Kit-Part No. 493762.
- ◆ Included in Carburetor Gasket Set-Part No. 490937.

122800 to 122899



REF. NO.	PART NO.	DESCRIPTION	REF. NO.	PART NO.	DESCRIPTION	REF. NO.	PART NO.	DESCRIPTION
65	94696	Screw-Guard Mtg.	387A	394281	Primer-Carburetor	949A	497223	Cover-Finger
187	492790	Line-Fuel (Cut To Suit)	528	399254	Line-Fuel (For Primer)	957	397974	Cap-Fuel Tank
187A	492791	Line-Fuel	601	93807	Clamp-Hose (Black)	972	495224	Tank-Fuel (1.6 Quart, Black)
188	398540	Screw-Tank Mounting	670	280512	Spacer	1019	494256	Label Kit
284	94511	Screw-Hex. Hd.	949	281136	Guard-Finger	1019A	495354	Label Kit
353	94581	Washer-Lock						

- ★ Included in Gasket Set-See Ref. 358.
- Included in Carburetor Kit-Part No. 493762.
- ◆ Included in Carburetor Gasket Set-Part No. 490937.



REF. NO.	PART NO.	DESCRIPTION	REF. NO.	PART NO.	DESCRIPTION	REF. NO.	PART NO.	DESCRIPTION
22A	94268	Screw-Hex. Head	544	492921	Armature-Starter	785	272201	Gasket-Cover
74	93490	Screw-Hex. Head	548	492919	Washer Set	801	492335	Cap-Drive
309	494233	Motor-Starter	782	281127	Gear-Starter	802	492922	Cap-End
310	94051	Screw-Hex. Head	783	261606	Gear-Starter	803	492920	Housing-Starter
510	494147	Drive-Starter	784	224262	Cover-Gear	938	93941	Retainer-Lock
513	394815	Clutch-Drive						

- ★ Included in Gasket Set-See Ref. 358.
- Included in Carburetor Kit-Part No. 493762.
- ◆ Included in Carburetor Gasket Set-Part No. 490937.

