

123700 to 123799

Illustrated Parts List

Model Series

123700 to 123799

TYPE NUMBERS

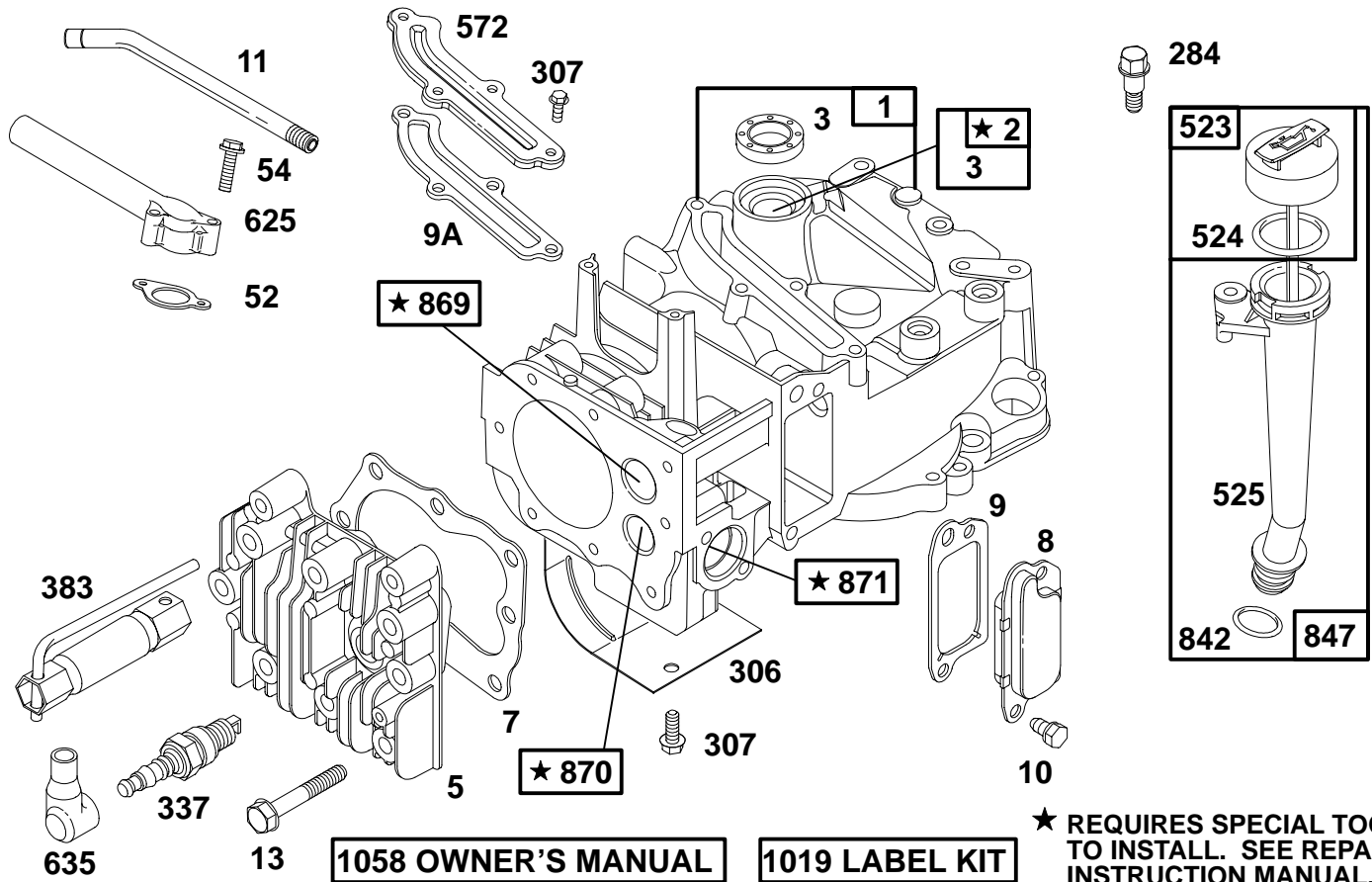
0106, 0108,
0111 through 0114,
0118 through 0146,
0149 through 0166,
0416, 0419, 0421,
0464, 3106,
3120 through 3127.

TO FIND

THE CORRECT NUMBER OF THE PART YOU NEED: FOLLOW THE INSTRUCTIONS BELOW

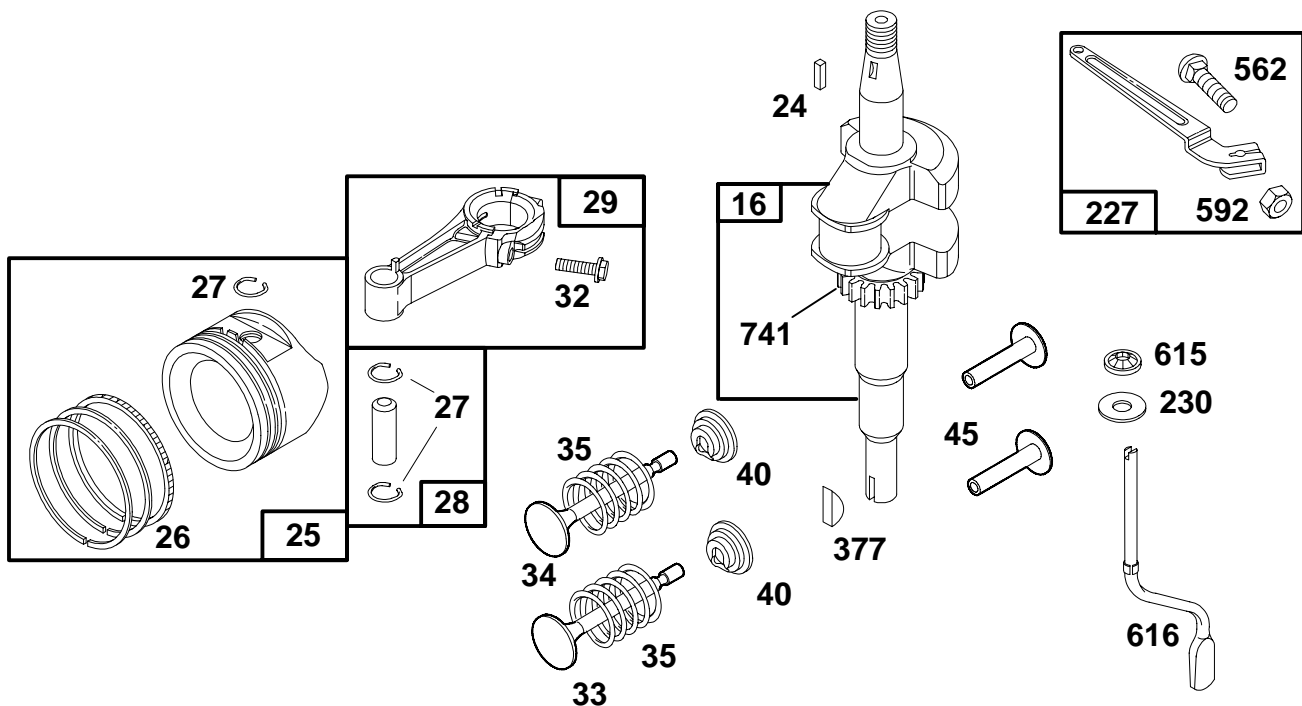
- A. Refer to Engine Model, Type and Code Number that is stamped on the blower housing of engine. Engine type numbers such as 0123 01 are listed only as 0123 in most instances. The two digits (01 or 02, etc.) to the right of the space may be required for more accurate parts identification in some instances. Select the Illustrated Parts List covering the correct Model Series and Type Number.
- B. Refer to the Illustrations and compare the original part with Illustration. The number next to the illustration is the Reference Number. Assemblies include all parts shown in frames. All parts shown in assembly frames having individual reference numbers can be purchased separately.
- C. After the Reference Number has been identified, refer to the Numerical text, where Reference and Primary Part Number are listed. **THE PRIMARY PART IS USED ON ALL TYPE NUMBERS EXCEPT THOSE TYPE NUMBERS UNDER "NOTE."**
- D. If a "Note" appears below the Primary Part Number, it means that this part differs from the Primary Part for certain types. If your Type number is listed under "Note," order the part referred to at the "Note."
- E. If your Engine Type Number does not appear after any part number listed under "Note," use the Primary Part Number.
- F. For Engine Type Numbers not covered by this book, check other Parts Lists having the same engine model or contact your source of supply.

123700 to 123799



| REF. NO. | PART NO. | DESCRIPTION | REF. NO. | PART NO. | DESCRIPTION | REF. NO. | PART NO. | DESCRIPTION |
|----------|----------|----------------------------|----------|----------|-----------------------------------|----------|----------|------------------------------------|
| 1 | 493260 | Cylinder Assembly | | | (1-7/8" High, 48 mm) | 635 | 66538 | Boot-Spark Plug |
| 2 | 293708 | Bushing | 383 | 89838 | Wrench-Spark Plug | 842 | ★280966 | Seal-O-Ring |
| 3 | ★299819 | Seal-Oil | 523 | 495264 | Cap-Oil Fill | 847 | 495263 | Tube-Oil Fill |
| 5 | 213861 | Head-Cylinder | | | (Used After Code Date 92072600). | | | (Used After Code Date 92072600). |
| 7 | ★272200 | Gasket-Cylinder Hd. | | | Note | | | Note |
| 8 | 494489 | Breather Assembly | | | 493950 Cap-Oil Fill | | | 493459 Tube-Oil Fill |
| 9 | ★272481 | Gasket-Breather | | | (Used Before Code Date 92072700). | | | (Used Before Code Date 92072700). |
| 9A | ★272238 | Gasket-Breather | | | | | | |
| 10 | 94650 | Screw-Hex. Head | 524 | ★280393 | Seal-Intake Elbow | 869 | 213512 | Seat-Valve (Intake) |
| 11 | 231685 | Tube-Breather | 525 | 495265 | Tube-Oil Fill | 870 | 213513 | Seat-Valve (Exhaust) |
| 13 | 94547 | Screw-Cylinder Hd. | | | (Used After Code Date 92072600). | 871 | 262001 | Bushing-Guide (Exhaust Valve) |
| 52 | ★272199 | Gasket-Intake Elbow | | | Note | | | Note |
| 54 | 94526 | Screw-Hex. Head | | | 493952 Tube-Oil Fill | | | 63709 Bushing-Guide (Intake Valve) |
| 284 | 94511 | Screw-Hex. Head | | | (Used Before Code Date 92072700). | 1019 | 494256 | Label Kit |
| 306 | 224324 | Shield-Cylinder | 572 | 224328 | Baffle-Cylinder | 1058 | 272262 | Owner's Manual |
| 307 | 94515 | Screw-Hex. Head | 625 | 492717 | Manifold-Intake | | | |
| 337 | 802592 | Plug-Spark (Resistor Type) | | | | | | |

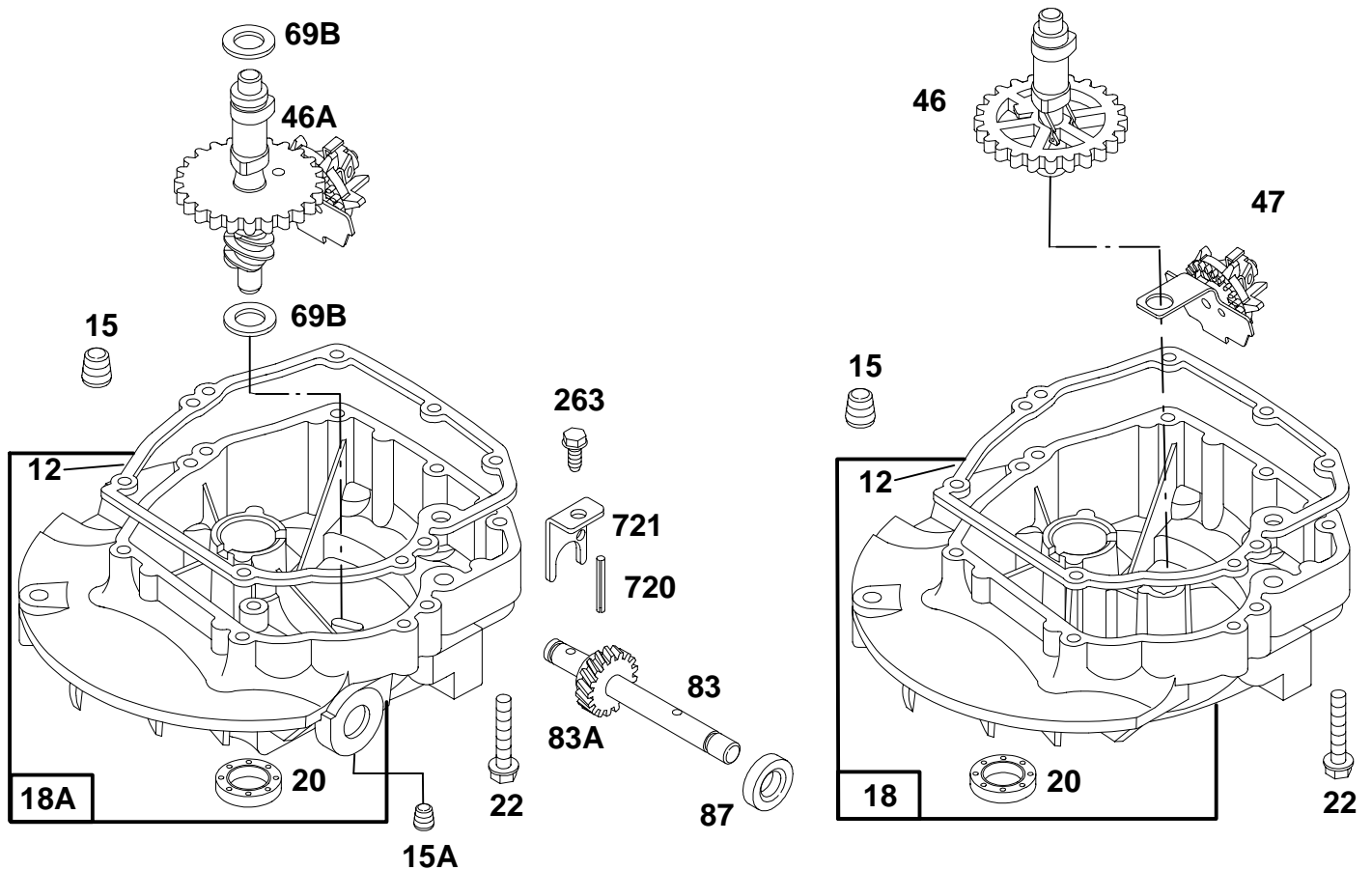
- ★ Included in Gasket Set-See Ref. 358.
- ◆ Included in Carburetor Gasket Set-Part No. 490937.
- Included in Carburetor Kit-Part No. 493762.



| REF. NO. | PART NO. | DESCRIPTION | REF. NO. | PART NO. | DESCRIPTION | REF. NO. | PART NO. | DESCRIPTION |
|----------|----------|--|----------|----------|--|----------|----------|---|
| 16 | 493282 | Crankshaft Note For Timing Gear Key— Order Part No. 94388. 493362 Crankshaft Used on Type No(s). 0123, 0125, 0126, 0144, 0146, 0149, 0153, 0157, 0419, 0421. 493363 Crankshaft Used on Type No(s). 0114, 0131, 0134, 0135, 0136, 0158, 0416. 493432 Crankshaft Used on Type No(s). 0151, 0154. 493566 Crankshaft Used on Type No(s). 0141, 0142, 0143, 3120, 3121. 493946 Crankshaft Used on Type No(s). 0118, 0119, 0120, 0121, 0122, 0124, 0140, 0145, 0150, | 24 | 222698 | Key—Flywheel | 29 | 490566 | Pin—Piston (.005" O.S.) Rod—Connecting (Standard) 490743 Rod— Connecting (.020" Undersize) |
| | | | 25 | 493262 | Piston Assy. (Standard) 493385 Piston Assy. (.010" O.S.) 493386 Piston Assy. (.020" O.S.) 493387 Piston Assy. (.030" O.S.) | 32 | 94699 | Screw—Connecting Rod |
| | | | 26 | 493261 | Ring Set (Standard) 493388 Ring Set (.010" O.S.) 493389 Ring Set (.020" O.S.) 493390 Ring Set (.030" O.S.) | 33 | 262651 | Valve—Exhaust |
| | | | 27 | 26026 | Lock—Piston Pin | 34 | 262652 | Valve—Intake |
| | | | 28 | 298909 | Pin—Piston (Standard) | 35 | 262224 | Spring—Valve |
| | | | | | | 40 | 93312 | Retainer—Valve |
| | | | | | | 45 | 262204 | Tappet—Valve |
| | | | | | | 227 | 492349 | Lever—Gov. |
| | | | | | | 230 | 67072 | Washer—Thrust |
| | | | | | | 377 | 94329 | Key—Woodruff (For 25 mm Crankshaft). |
| | | | | | | | | Note 93065 Key—Woodruff (For 7/8" Dia. Crankshaft). |
| | | | | | | 562 | 92613 | Bolt—Governor Lever |
| | | | | | | 592 | 231082 | Nut—Hex. |
| | | | | | | 615 | 94474 | Fastener |
| | | | | | | 616 | 262578 | Crank—Governor |
| | | | | | | 741 | 262598 | Gear—Timing |

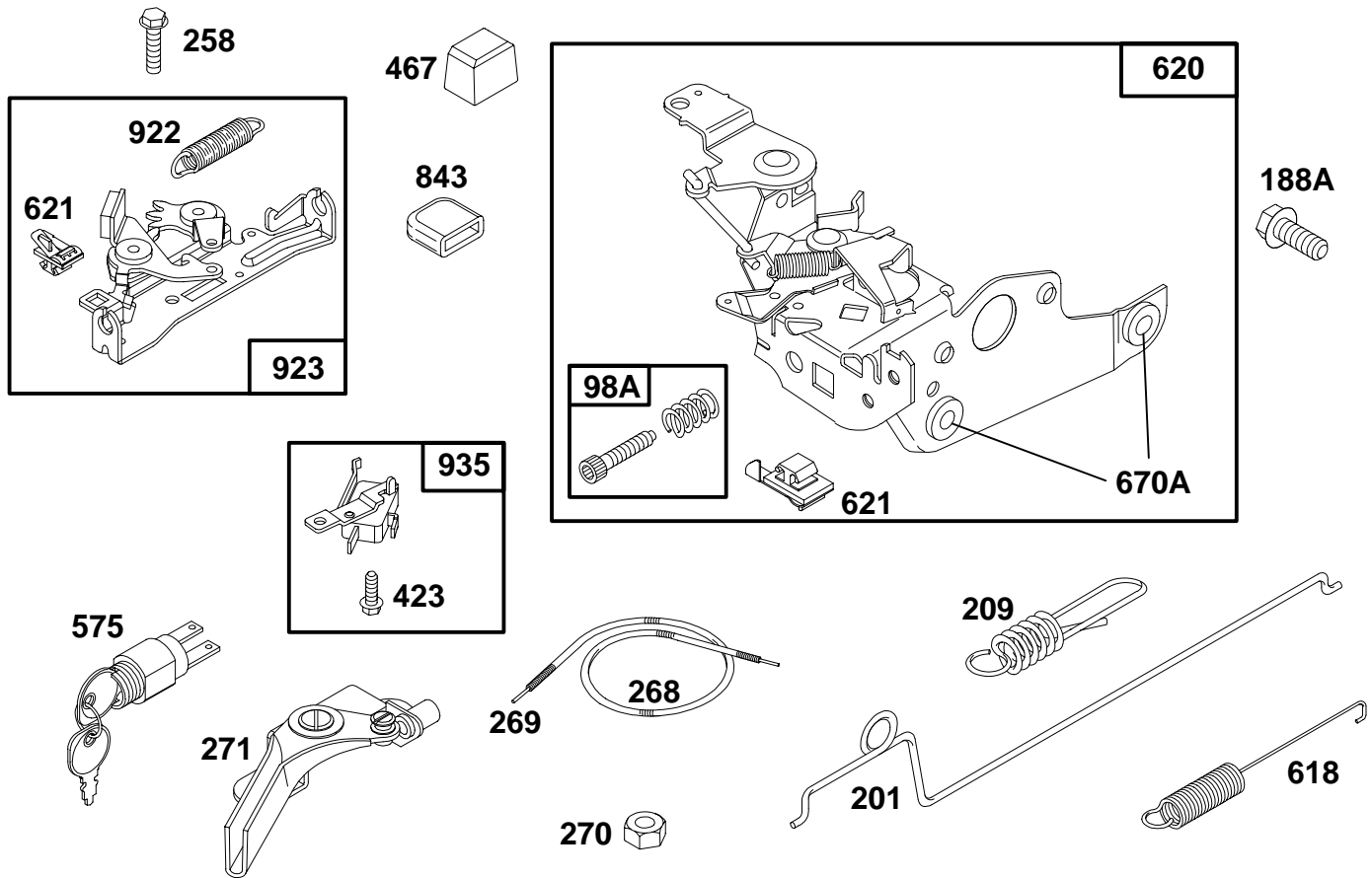
- ★ Included in Gasket Set—See Ref. 358.
- ◆ Included in Carburetor Gasket Set—Part No. 490937.
- Included in Carburetor Kit—Part No. 493762.

123700 to 123799



| REF. NO. | PART NO. | DESCRIPTION | REF. NO. | PART NO. | DESCRIPTION | REF. NO. | PART NO. | DESCRIPTION |
|----------|----------|---|----------|----------|---|----------|----------|---|
| 12 | ★272198 | Gasket-Crankcase | 46A | 493738 | Gear-Cam (Counterclockwise) | | | Used on Type No(s). 0144. |
| 15 | 94613 | Plug-Oil Drain | | | Note | 83A | 231279 | Gear-Drive (Counterclockwise) |
| 15A | 94470 | Plug-Oil Drain (1/16"-27 NPT) | | | 493740 Gear-Cam (Clockwise) | | | Note |
| 18 | 493279 | Sump-Engine | | | Used on Type No(s). 0118, 0120, 0161, 0163. | | | 231278 Gear-Drive (Clockwise) |
| 18A | 493365 | Sump-Engine | 47 | 493737 | Slinger-Oil | | | Used on Type No(s). 0118, 0120, 0161, 0163. |
| 20 | ★399781 | Seal-Oil | 69B | 68938 | Washer-Thrust | 87 | 391484 | Seal-Oil |
| 22 | 94220 | Screw-Hex. Head | 83 | 231671 | Shaft-Aux. Drive | | | 263 93572 Screw-Self Tap. |
| | | Note | | | Note | | | 720 93474 Pin-Shaft |
| | | 94612 Screw-Hex. Head One Used in Hole Nearest Breather. | | | 231748 Shaft-Aux. Drive | | | 721 224249 Stop-Shaft |
| 46 | 492830 | Gear-Cam | | | | | | |

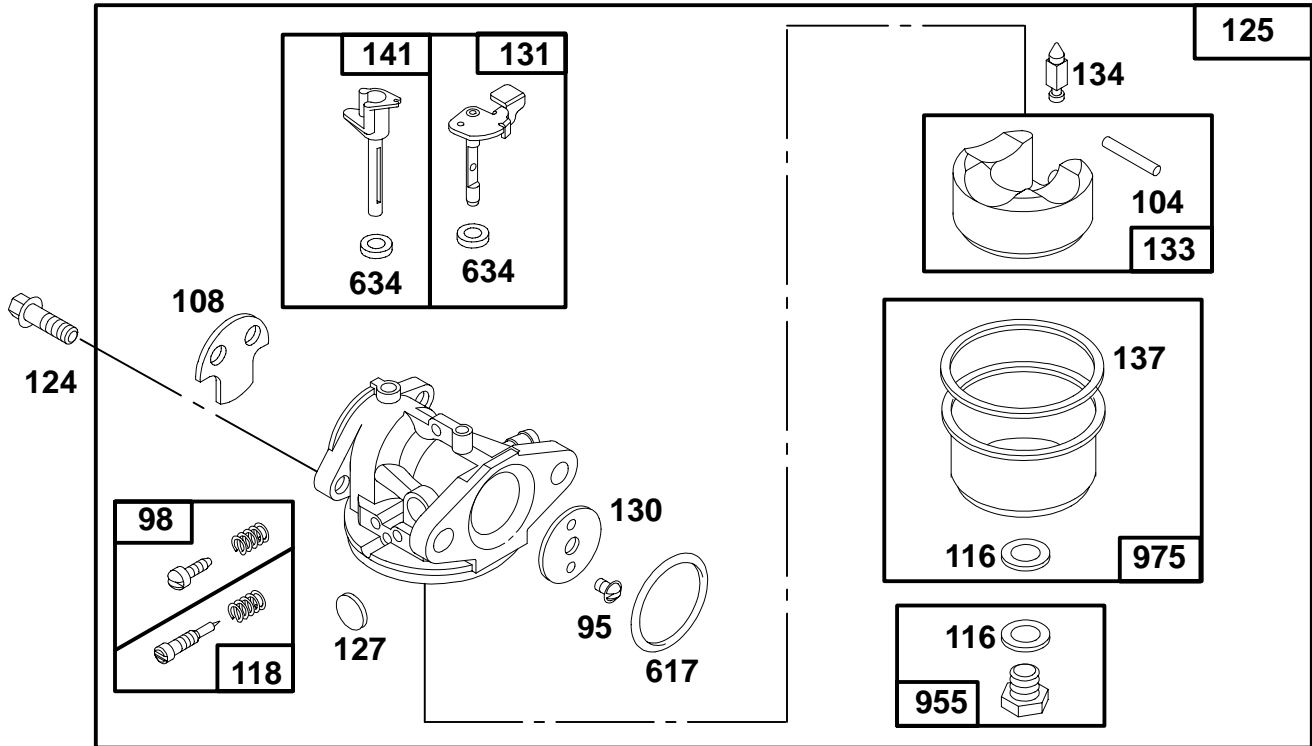
- ★ Included in Gasket Set-See Ref. 358.
- ◆ Included in Carburetor Gasket Set-Part No. 490937.
- Included in Carburetor Kit-Part No. 493762.



| REF. NO. | PART NO. | DESCRIPTION | REF. NO. | PART NO. | DESCRIPTION | REF. NO. | PART NO. | DESCRIPTION |
|----------|----------|---|----------|----------|--|----------|----------|---|
| 98A | 493280 | Screw—Speed Adj. | | | Length in Inches; if Shorter Wire is Needed, Order and Cut to Required Length. | | | ———— Note ——— 495976 Bracket—Control (Used After Code Date 93080100). |
| 188A | 94644 | Screw—Hex. Head | | | | | | |
| 201 | 262579 | Link—Governor | | | | | | 493895 Bracket—Control (Used Before Code Date 93080200). Used on Type No(s). 0118, 0119, 0122, 0141, 0151, 0159, 0161, 0162, 3124. |
| 209 | | Spring—Governor | | | | | | |
| | | See Last Pages. | | | | | | |
| 258 | 94512 | Screw—Hex. Head | 270 | 63426 | Locknut—Casing | 621 | 396847 | Switch—Stop |
| 268 | 66986 | Casing—Wire (48" Long) | 271 | 290568 | Lever—Control | 670A | ★493823 | Spacer—Bracket (Includes 2) |
| | | Note If Longer Casing is Needed, Specify Length in Inches; if Shorter Casing is Needed, Order and Cut to Required Length. | 423 | 93758 | Screw—Self Tap. | 843 | 272616 | Sleeve—Lever |
| 269 | 26099 | Wire—Control (54" Long) | 467 | 280857 | Knob | 922 | 262640 | Spring—Brake |
| | | Note If Longer Wire is Needed, Specify | 575 | 396291 | Switch—Starting | 923 | 493442 | Brake Assembly |
| | | | 618 | 262749 | Spring | 935 | 398758 | Switch—Interlock |
| | | | 620 | 495975 | Bracket—Control (Used After Code Date 93080100). | | | |
| | | | | | 493894 Bracket—Control (Used Before Code Date 93080200). | | | |

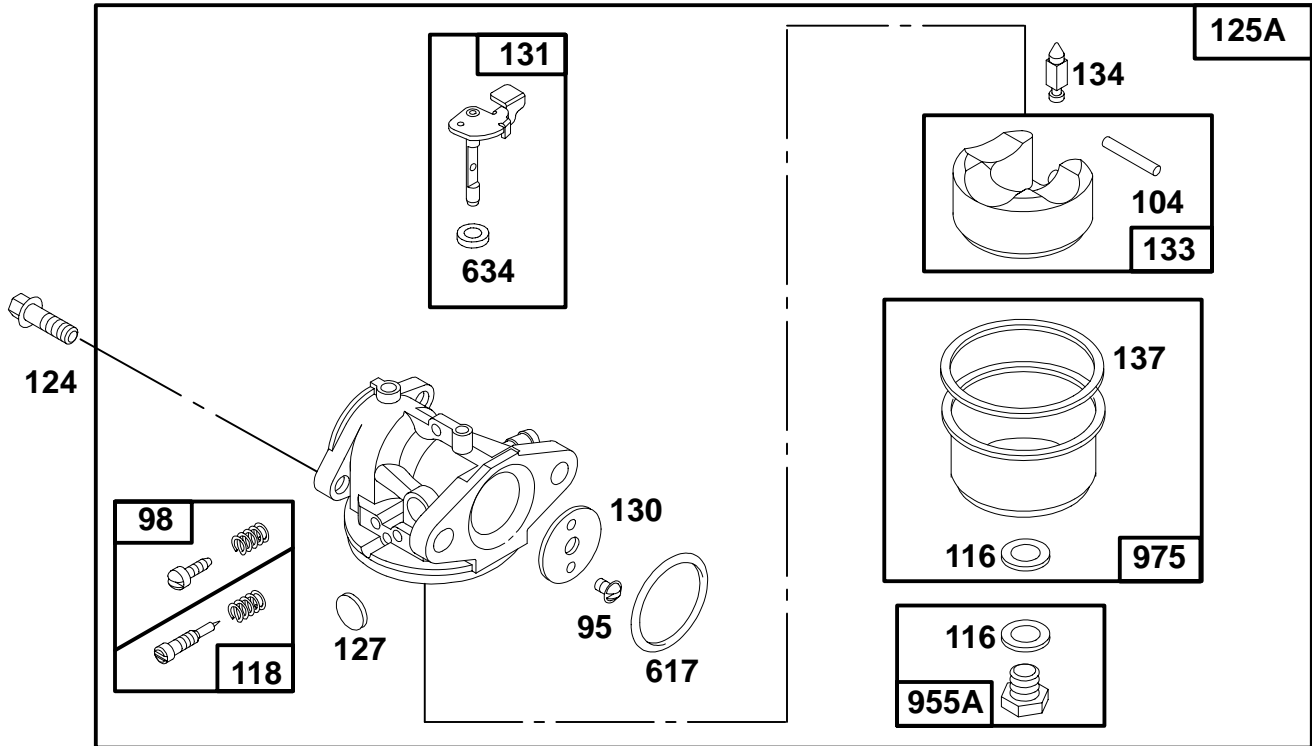
- ★ Included in Gasket Set—See Ref. 358.
- ◆ Included in Carburetor Gasket Set—Part No. 490937.
- Included in Carburetor Kit—Part No. 493762.

123700 to 123799



| REF. NO. | PART NO. | DESCRIPTION | REF. NO. | PART NO. | DESCRIPTION | REF. NO. | PART NO. | DESCRIPTION |
|----------|----------|---|----------|----------|---|----------|----------|--|
| 95 | 94098 | Screw—Round Head | 127 | ● | Plug—Welch (Sold in Kit Only) | | | 493763 Screw—Fuel Bowl Kit (For High Altitude) |
| 98 | 398185 | Screw—Idle Adjustment | 130 | 223470 | Valve—Throttle | | | ———— Note ———— |
| 104 | ●231371 | Pin—Float Hinge | 131 | 493267 | Shaft—Throttle | | | 496063 Screw—Fuel Bowl Kit (Standard) |
| 108 | 223471 | Valve—Choke | 133 | 398187 | Float—Carburetor | | | OR |
| 116 | ◆◆ | Gasket—Sealing (Sold in Kit Only) | 134 | ●398188 | Valve—Needle (Includes Seat) | | | 494870 Screw—Carb. Bowl Mtg. (For High Altitude) |
| 118 | ●493765 | Valve—Needle | 137 | ◆◆ | Gasket—Float Bowl (Sold in Kit Only) | | | (Used Before Code Date 93080200). Used on Type No(s). 0464. |
| 124 | 94525 | Screw—Carb. Mtg. | 141 | 494218 | Shaft—Choke | | | |
| 125 | 494217 | Carburetor (With Choke) | 617 | ◆◆270344 | Seal—Intake Elbow | | | |
| | | Note | 634 | ◆◆ | Washer—Shaft (Sold in Kit Only) | | | |
| | | 493627 Carburetor (For Primer) (Used Before Code Date 93080200). Used on Type No(s). 0464. | 955 | 493869 | Screw—Fuel Bowl Kit (Standard) | | | |
| | | | | | OR | | | |
| | | | | | | 975 | 493640 | Bowl—Float |

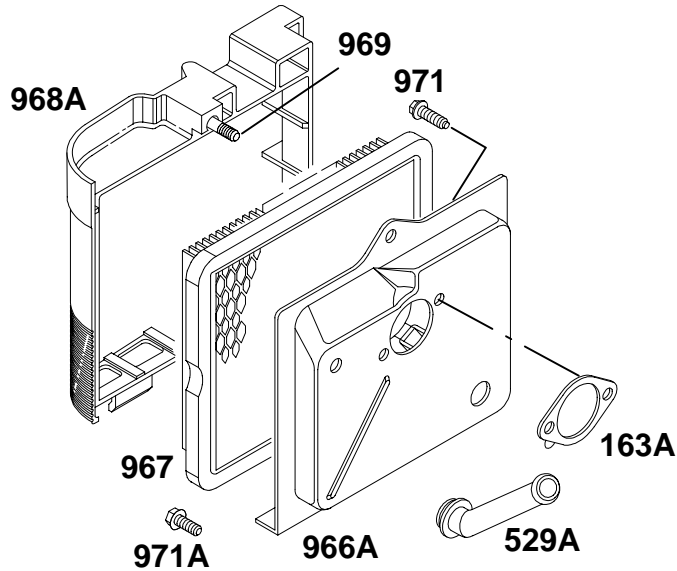
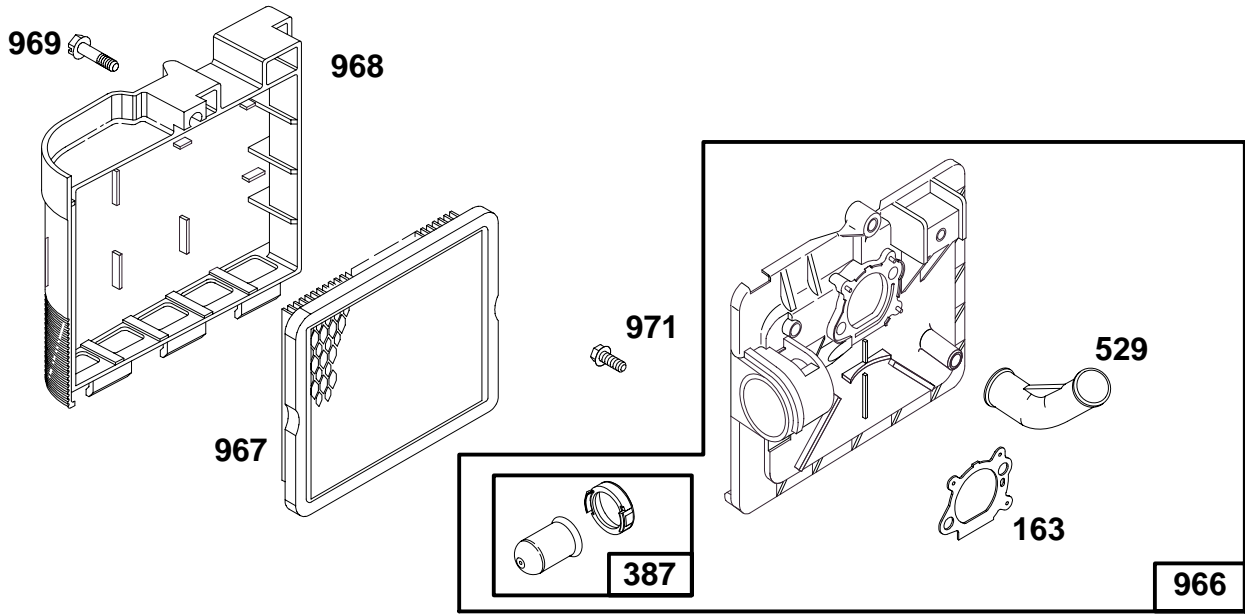
- ★ Included in Gasket Set—See Ref. 358.
- ◆ Included in Carburetor Gasket Set—Part No. 490937.
- Included in Carburetor Kit—Part No. 493762.



| REF. NO. | PART NO. | DESCRIPTION | REF. NO. | PART NO. | DESCRIPTION | REF. NO. | PART NO. | DESCRIPTION |
|----------|----------|---|----------|----------|---|--|----------|--|
| 95 | 94098 | Screw-Round Head | 127 | ● | Plug-Welch (Sold in Kit Only) | 95A | 493637 | Screw-Fuel Bowl Kit (Standard) (Used After Code Date 93080100). |
| 98 | 398185 | Screw-Idle Adjustment | 130 | 223470 | Valve-Throttle | <p align="center">Note</p> 494870 Screw-Carb. Bowl Mtg. (For High Altitude) (Used After Code Date 93080100). | | |
| 104 | ●231371 | Pin-Float Hinge | 131 | 493267 | Shaft-Throttle | | | |
| 116 | ◆◆ | Gasket-Sealing (Sold in Kit Only) | 133 | 398187 | Float-Carburetor | 975 | 493640 | Bowl-Float |
| 118 | ●493765 | Valve-Needle | 134 | ●398188 | Valve-Needle (Includes Seat) | | | |
| 124 | 94525 | Screw-Carb. Mtg. | 137 | ◆◆ | Gasket-Float Bowl (Sold in Kit Only) | | | |
| 125A | 496114 | Carburetor (For Primer) (Used After Code Date 93080100). | 617 | ◆◆270344 | Seal-Intake Elbow | | | |
| | | | 634 | ◆◆ | Washer-Shaft (Sold in Kit Only) | | | |

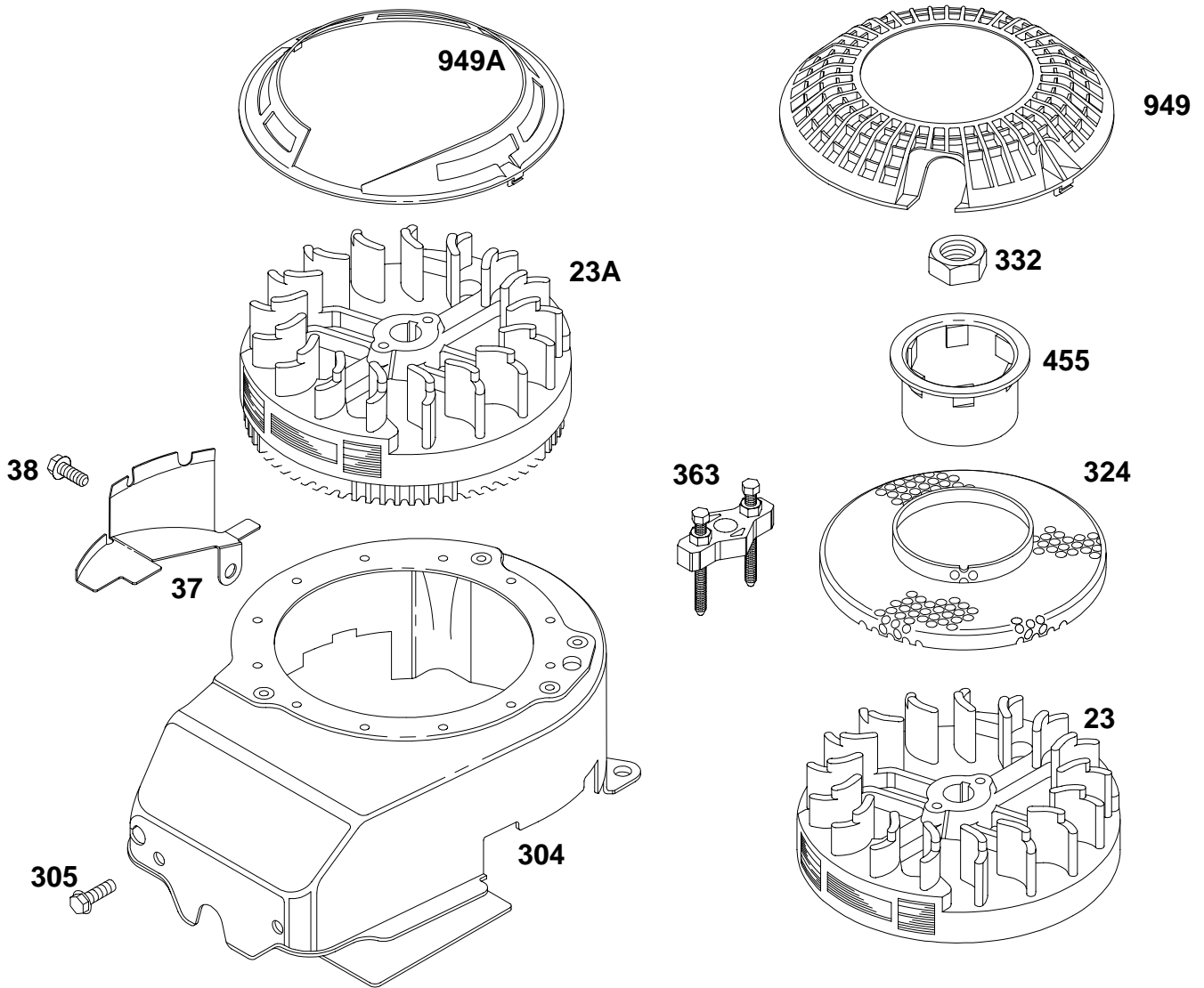
★ Included in Gasket Set-See Ref. 358.
 ◆ Included in Carburetor Gasket Set-Part No. 490937.
 ● Included in Carburetor Kit-Part No. 493762.

123700 to 123799



| REF. NO. | PART NO. | DESCRIPTION | REF. NO. | PART NO. | DESCRIPTION | REF. NO. | PART NO. | DESCRIPTION |
|----------|----------|---------------------------------|----------|----------|-----------------------------------|----------|----------|-------------------|
| 163 | ★272653 | Gasket–Air Cleaner | | | (Used After Code Date 93080100). | 967 | 491588 | Filter–Air |
| 163A | ★272296 | Gasket–Air Cleaner | | | | 968 | 281340 | Cover–Air Cleaner |
| 387 | 496115 | Primer–Carburetor | 966A | 492363 | Base–Air Cleaner (Metal) | 968A | 281069 | Cover–Air Cleaner |
| 529 | 281299 | Grommet | | | (Used Before Code Date 93080200). | 969 | 94120 | Screw–Hex. Head |
| 529A | 280943 | Grommet | | | | 971 | 94121 | Screw–Hex. Head |
| 966 | 496116 | Base–Air Cleaner (Primer Style) | | | | 971A | 94269 | Screw–Hex. Head |

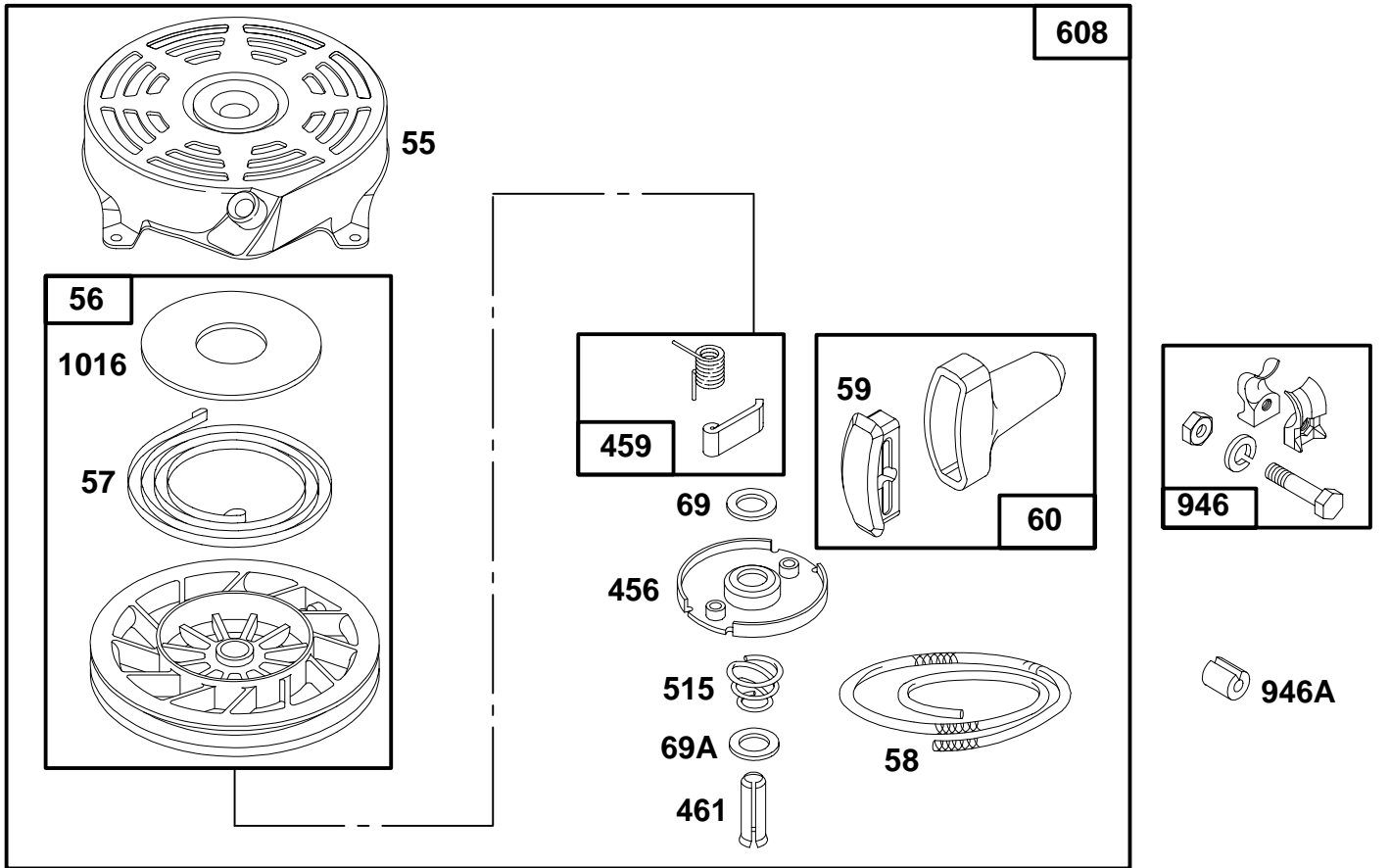
- ★ Included in Gasket Set–See Ref. 358.
- ◆ Included in Carburetor Gasket Set–Part No. 490937.
- Included in Carburetor Kit–Part No. 493762.



| REF. NO. | PART NO. | DESCRIPTION | REF. NO. | PART NO. | DESCRIPTION | REF. NO. | PART NO. | DESCRIPTION |
|----------|----------|---|----------|----------|--|----------|----------|------------------------------------|
| 23 | 492177 | Flywheel | 38 | 94608 | Screw-Hex. Head | 305 | 94513 | Screw-Hex. Head |
| 23A | 492175 | Flywheel | 304 | 493294 | Housing-Blower Used on Engines Without Band Brake. | 324 | 224251 | Screen-Rotating |
| | | Note | | | Note | 332 | 92284 | Nut-Hexagon |
| | | 492893 Flywheel Used on Type No(s). 0131, 0134, 0146, 0149, 0151, 0152, 0154, 0155, 0160. | | | 493293 Housing- Blower Used on Engines With Band Brake. | 363 | 19069 | Flywheel Puller |
| 37 | 224511 | Guard-Flywheel | | | | 455 | 224250 | Cup-Flywheel |
| | | | | | | 949 | 281136 | Guard-Finger |
| | | | | | | 949A | 281143 | Guard-Finger |
| | | | | | | | | Use(s): 94639 Screw-Mtg. |

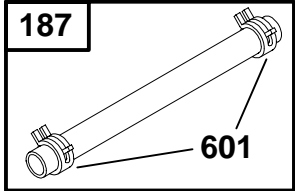
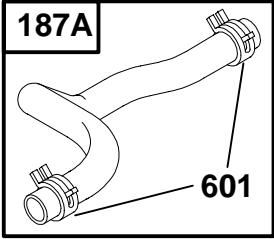
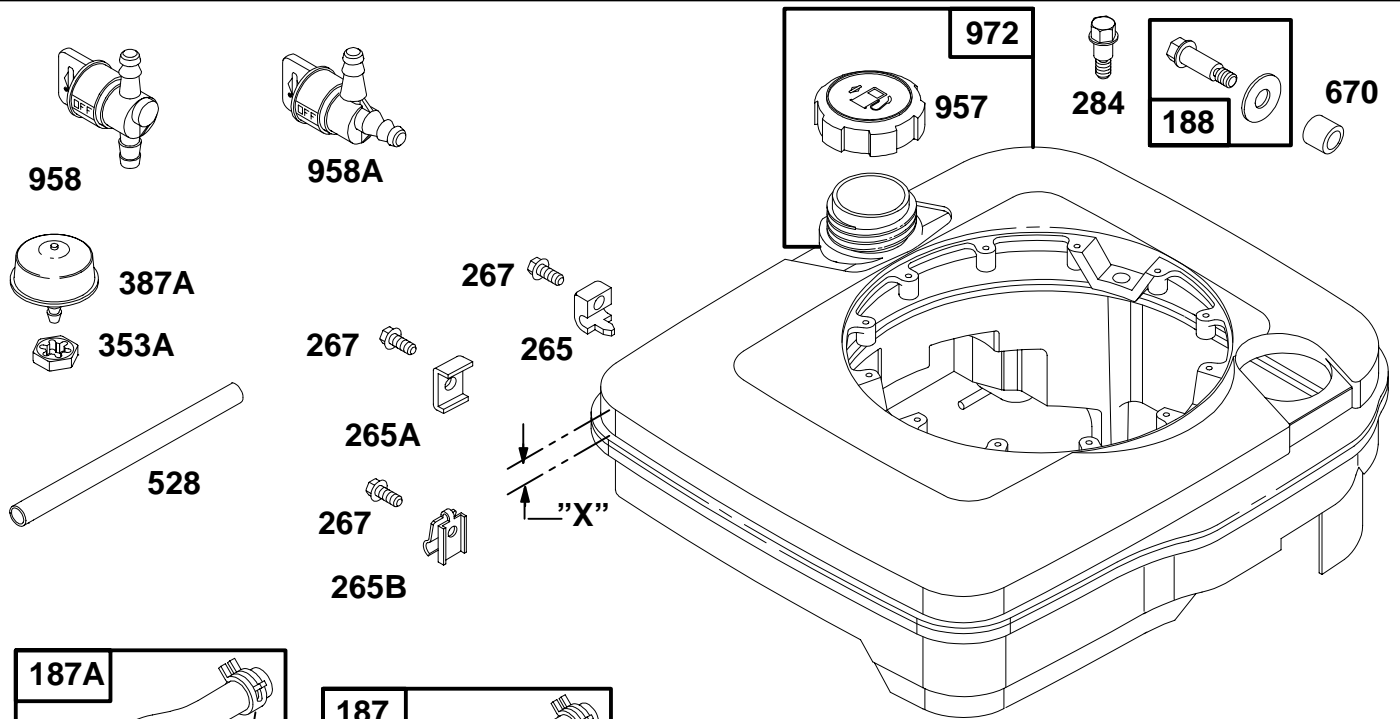
- ★ Included in Gasket Set-See Ref. 358.
- ◆ Included in Carburetor Gasket Set-Part No. 490937.
- Included in Carburetor Kit-Part No. 493762.

123700 to 123799



| REF. NO. | PART NO. | DESCRIPTION | REF. NO. | PART NO. | DESCRIPTION | REF. NO. | PART NO. | DESCRIPTION |
|----------|----------|----------------------------|----------|----------|-------------------|----------|----------|---------------------|
| 55 | 492831 | Housing–Rewind Starter | 60 | 393152 | Grip–Starter Rope | 608 | 493295 | Starter–Rewind |
| 56 | 493824 | Pulley–Starter | 69 | 280973 | Washer–Spring | | | Include(s): |
| 57 | 262594 | Spring–Rewind Starter | 69A | 224322 | Washer–Flat | | | 94128 Screw–Hex. Hd |
| 58 | 280399 | Rope–Starter (Cut to Suit) | 456 | 224321 | Retainer–Spring | | | 92987 Nut–Hex. |
| 59 | 396892 | Insert–Starter Grip | 459 | 492833 | Pawl–Ratchet | 946 | 396526 | Guide–Rope |
| | | | 461 | 262626 | Pin–Shaft | 946A | 223294 | Stop–Rope |
| | | | 515 | 262625 | Spring–Retainer | 1016 | 224278 | Cover–Pulley |

- ★ Included in Gasket Set–See Ref. 358.
- ◆ Included in Carburetor Gasket Set–Part No. 490937.
- Included in Carburetor Kit–Part No. 493762.

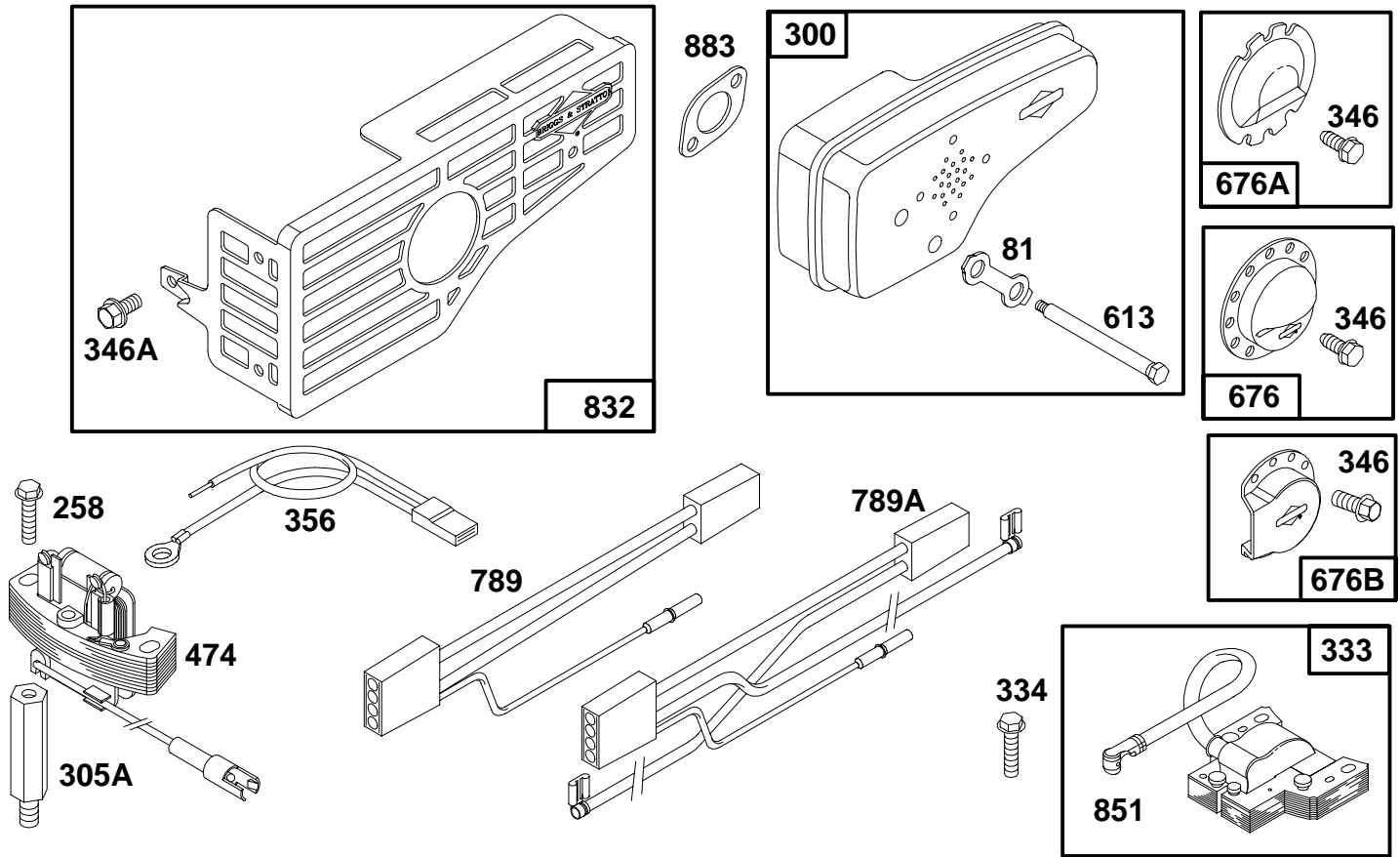


| TANK SIZE | COLORS |
|----------------------|---------------------|
| 1 Quart (X=5/16") | SEE REF. 972 |
| 1.5 Quart (X=11/16") | |

| REF. NO. | PART NO. | DESCRIPTION | REF. NO. | PART NO. | DESCRIPTION | REF. NO. | PART NO. | DESCRIPTION |
|----------|----------|---|----------|----------|-----------------------------------|----------|----------|---|
| 187 | 492790 | Line-Fuel (Cut to Suit) | | | 0142, 0143, 0158, 3120, 3121. | | | Used on Type No(s). 0130, 0138, 0157. |
| 187A | 492791 | Line-Fuel (Molded) | 284 | 94511 | Screw-Hex. Head | | | 494355 Tank-Fuel (Gray, 1-1/2 Quart) |
| 188 | 398540 | Screw-Hex. Head (Tank Mounting) | 353A | 94581 | Washer-Lock | | | Used on Type No(s). 0119, 0121, 0140, 0162, 0164. |
| 265 | 213146 | Clamp-Casing | 387A | 394281 | Primer-Carburetor | | | 494356 Tank-Fuel (Red, 1-1/2 Quart) |
| 265A | 22372 | Clamp-Casing | 528 | 399254 | Line-Fuel | | | Used on Type No(s). 0137, 0166. |
| | | Note | 601 | 93807 | Clamp-Hose (Black) | | | 494358 Tank-Fuel (Black Special) |
| | | 221535 Clamp-Casing | | | 93053 Clamp-Hose (Green) | | | Used on Type No(s). 0142, 0143, 0158, 3120, 3121. |
| | | Used on Type No(s). 0125, 0132, 0133, 0137, 0144, 0166, 3125. | 670 | 280512 | Spacer-Fuel Tank | | | 495065 Tank-Fuel (Black, 1-1/2 Quart) |
| 265B | 224057 | Clamp-Casing | 957 | 397974 | Cap-Fuel Tank | | | Used on Type No(s). 0142, 0143, 0158, 3120, 3121. |
| 267 | 94204 | Screw-Hex. Head | 958 | 494768 | Valve-Shut-Off | | | |
| | | Note | 958A | 494539 | Valve-Shut-Off | | | |
| | | 94264 Screw-Hex. Hd. Used on Type No(s). | 972 | 494528 | Tank-Fuel (Black, 1-1/2 Quart) | | | |
| | | | | | Note | | | |
| | | | | | 494351 Tank-Fuel (Black, 1 Quart) | | | |

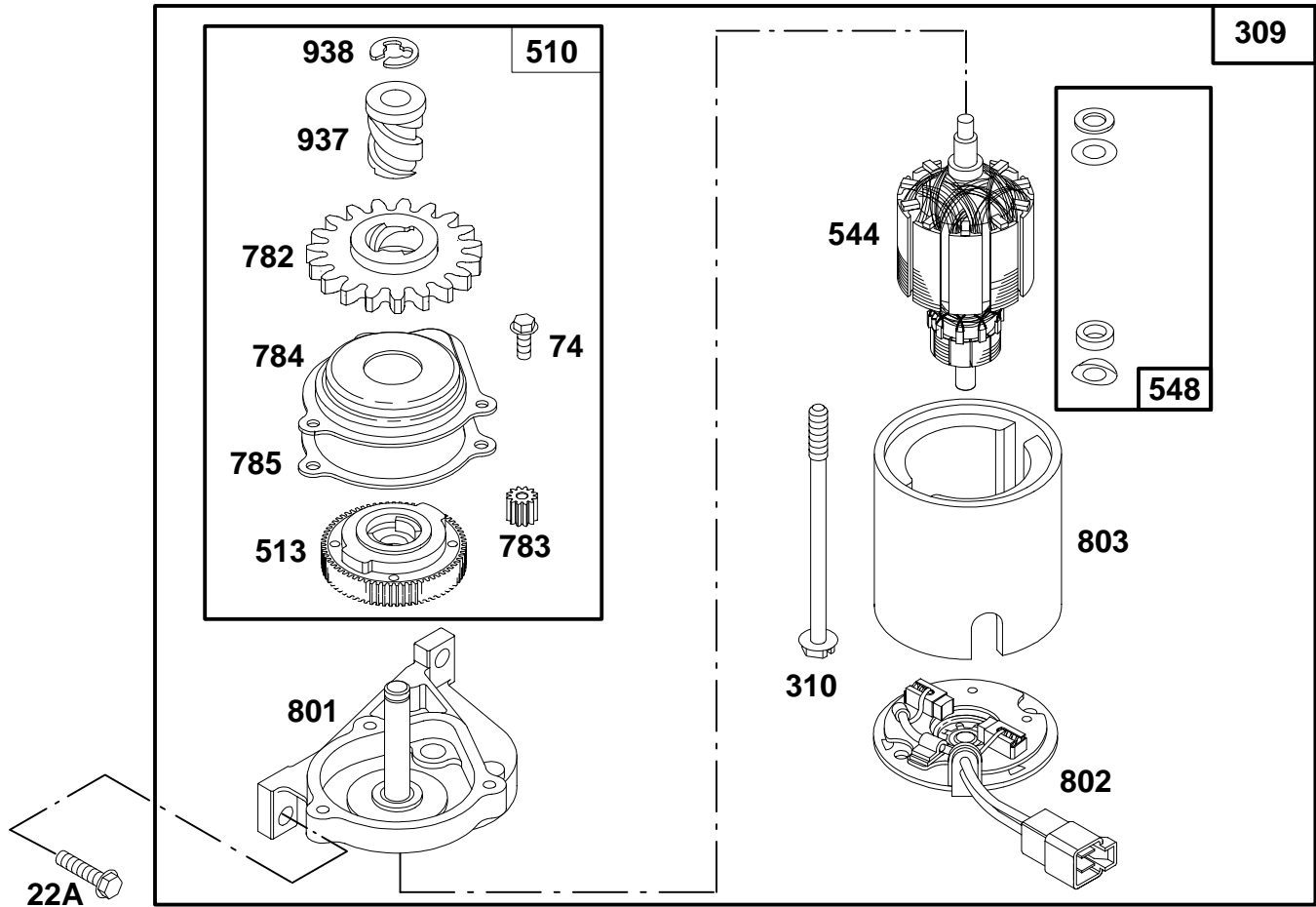
- ★ Included in Gasket Set—See Ref. 358.
- ◆ Included in Carburetor Gasket Set—Part No. 490937.
- Included in Carburetor Kit—Part No. 493762.

123700 to 123799



| REF. NO. | PART NO. | DESCRIPTION | REF. NO. | PART NO. | DESCRIPTION | REF. NO. | PART NO. | DESCRIPTION |
|----------|----------|---------------------------|----------|----------|-------------------|----------|----------|---|
| 81 | 223664 | Lock-Muffler Screw | 346A | 94602 | Screw-Hex. Hd. | | | Used on Engines Without Band Brake. |
| 258 | 94512 | Screw-Hex. Hd. | 356 | 398808 | Wire-Stop | | | |
| 300 | 490547 | Muffler-Exhaust | 474 | 492841 | Alternator | 789A | 493380 | Harness-Wiring Used on Engines With Band Brake. |
| 305A | 94510 | Stud-Mounting | 613 | 94231 | Screw-Hex. Hd. | | | |
| 333 | 802574 | Armature-Magneto | 676 | 396548 | Deflector-Muffler | | | |
| 334 | 93381 | Screw-Sem (Armature Mtg.) | 676A | 393756 | Deflector-Muffler | 832 | 494224 | Guard-Muffler |
| 346 | 93705 | Screw-Hex. Hd. | 676B | 393760 | Deflector-Muffler | 851 | 221798 | Terminal-Cable |
| | | | 789 | 493379 | Harness-Wiring | 883 | ★272253 | Gasket-Exhaust Pipe |

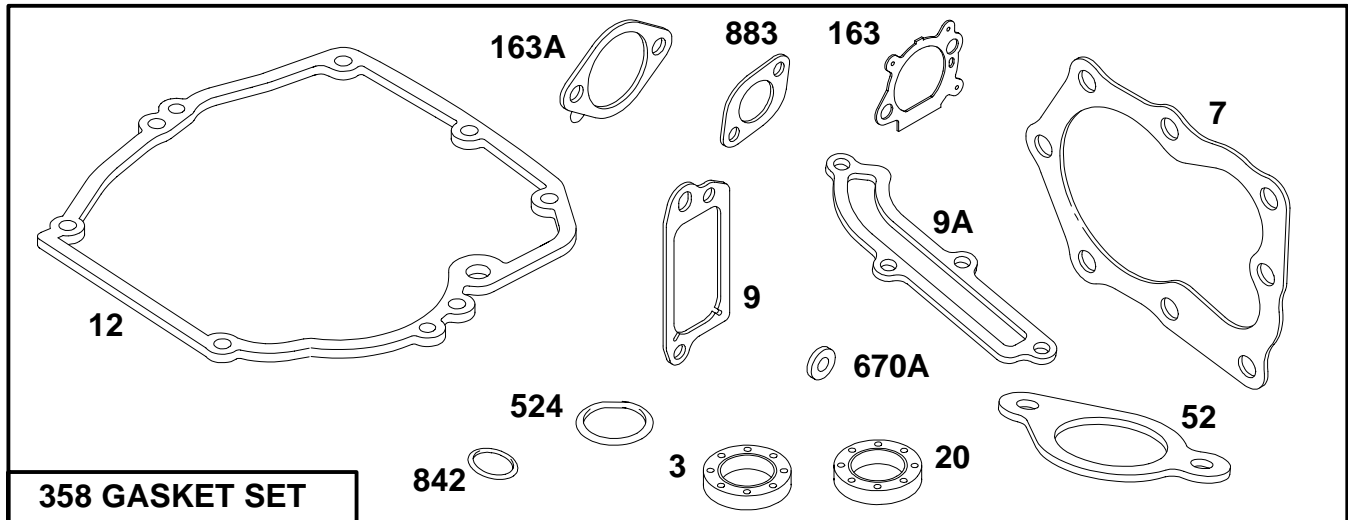
- ★ Included in Gasket Set-See Ref. 358.
- ◆ Included in Carburetor Gasket Set-Part No. 490937.
- Included in Carburetor Kit-Part No. 493762.



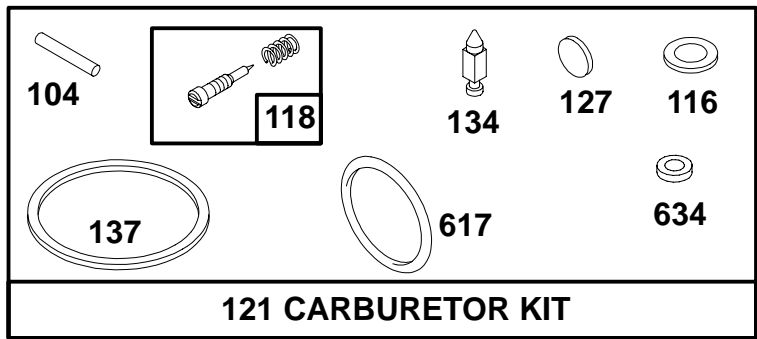
| REF. NO. | PART NO. | DESCRIPTION | REF. NO. | PART NO. | DESCRIPTION | REF. NO. | PART NO. | DESCRIPTION |
|----------|----------|-----------------|----------|----------|--------------------|----------|----------|-----------------|
| 22A | 94268 | Screw-Hex. Head | 544 | 492921 | Armature-Starter | 801 | 492335 | Cap-Drive |
| 74 | 93490 | Screw-Hex. Head | 548 | 492919 | Washer Set-Starter | 802 | 492922 | Cap-End |
| 309 | 494233 | Motor-Starter | 782 | 281127 | Gear-Starter | 803 | 492920 | Housing-Starter |
| 310 | 94553 | Bolt-Thru | 783 | 261606 | Gear Pinion | 937 | 281125 | Drive-Starter |
| 510 | 494147 | Drive-Starter | 784 | 224262 | Cover-Gear | 938 | 93941 | Retainer-Lock |
| 513 | 394815 | Clutch-Drive | 785 | 272201 | Gasket-Cover | | | |

- ★ Included in Gasket Set-See Ref. 358.
- ◆ Included in Carburetor Gasket Set-Part No. 490937.
- Included in Carburetor Kit-Part No. 493762.

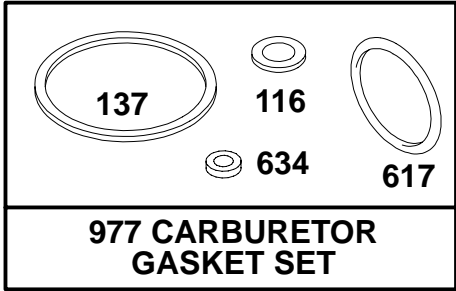
123700 to 123799



358 GASKET SET



121 CARBURETOR KIT



977 CARBURETOR GASKET SET

| REF. NO. | PART NO. | DESCRIPTION | REF. NO. | PART NO. | DESCRIPTION | REF. NO. | PART NO. | DESCRIPTION |
|----------|----------|--------------------------------------|----------|----------|--|----------|----------|------------------------------------|
| 3 | ★299819 | Seal—Oil | | | | | | |
| 7 | ★272200 | Gasket—Cylinder Hd. | | | | | | (Used Before Code Date 93080200). |
| 9 | ★272481 | Gasket—Breather | 134 | ●398188 | Valve—Needle (Includes Seat) | 524 | ★280393 | Seal—Intake Elbow |
| 9A | ★272238 | Gasket—Breather | 137 | ◆ | Gasket—Float Bowl (Sold in Kit Only) | 617 | ◆270344 | Seal—Intake Elbow |
| 12 | ★272198 | Gasket—Crankcase | 163 | ★272653 | Gasket—Air Cleaner | 634 | ◆ | Washer—Shaft (Sold in Kit Only) |
| 20 | ★399781 | Seal—Oil | 163A | ★272296 | Gasket—Air Cleaner | 670A | ★493823 | Spacer—Bracket (Includes 2) |
| 52 | ★272199 | Gasket—Intake Elbow | 358 | 496117 | Gasket Set (Used After Code Date 93080100). | 842 | ★280966 | Seal—O-Ring |
| 104 | ●231371 | Pin—Float Hinge | | | Note _____ | 883 | ★272253 | Gasket—Exhaust Pipe |
| 116 | ◆ | Gasket—Sealing (Sold in Kit Only) | | | 493263 Gasket Set | 977 | 490937 | Gasket Set—Carburetor |
| 118 | ●493765 | Valve Kit—Needle | | | | | | |
| 121 | 493762 | Carburetor Kit | | | | | | |
| 127 | ● | Plug—Welch | | | | | | |

★ Included in Gasket Set—See Ref. 358.
 ◆ Included in Carburetor Gasket Set—Part No. 490937.
 ● Included in Carburetor Kit—Part No. 493762.

123700 to 123799

| REF. NO. | PART NO. | DESCRIPTION | REF. NO. | PART NO. | DESCRIPTION | REF. NO. | PART NO. | DESCRIPTION |
|-------------|---------------|--|-------------|-------------|---|-------------|-------------|---|
| 209 | 262666 | Spring-Governor <hr style="width: 100px; margin-left: 0;"/> Note 262654 Spring-Gov. Used on Type No(s). 0149, 0154, 0160. 262657 Spring-Gov. Used on Type No(s). 0140. 262664 Spring-Gov. Used on Type No(s). | | | 0112, 0113, 0114, 0129, 0131, 0134, 0151, 0152, 0155, 0157. 262665 Spring-Gov. Used on Type No(s). 0123, 0125, 0126, 0141, 0142, 0143, 0144, 0158, 0159, | | | 3120, 3121, 3123. 262667 Spring-Gov. Used on Type No(s). 0135, 0137, 0166. 262678 Spring-Gov. Used on Type No(s). 0118, 0119, 0121, 0122, 0124, 0146, 0150, 0165. |