

123800 to 123899

Illustrated Parts List

Model Series

123800 to 123899

TYPE NUMBERS

0106,
0206 through 0230,
0264 through 0269,
0406 through 0452,
0464 through 0486,
0509 through 0569,
3106,
3214 through 3220,
3406 through 3428,
4400 through 4403.

TO FIND

THE CORRECT NUMBER OF THE PART YOU NEED: FOLLOW THE INSTRUCTIONS BELOW

- A. Refer to Engine Model, Type and Code Number that is stamped on the blower housing of engine. Engine type numbers such as 0123 01 are listed only as 0123 in most instances. The two digits (01 or 02, etc.) to the right of the space may be required for more accurate parts identification in some instances. Select the Illustrated Parts List covering the correct Model Series and Type Number.
- B. Refer to the Illustrations and compare the original part with Illustration. The number next to the illustration is the Reference Number. Assemblies include all parts shown in frames. All parts shown in assembly frames having individual reference numbers can be purchased separately.
- C. After the Reference Number has been identified, refer to the Numerical text, where Reference and Primary Part Number are listed. **THE PRIMARY PART IS USED ON ALL TYPE NUMBERS EXCEPT THOSE TYPE NUMBERS UNDER "NOTE."**
- D. If a "Note" appears below the Primary Part Number, it means that this part differs from the Primary Part for certain types. If your Type number is listed under "Note," order the part referred to at the "Note."
- E. If your Engine Type Number does not appear after any part number listed under "Note," use the Primary Part Number.
- F. For Engine Type Numbers not covered by this book, check other Parts Lists having the same engine model or contact your source of supply.

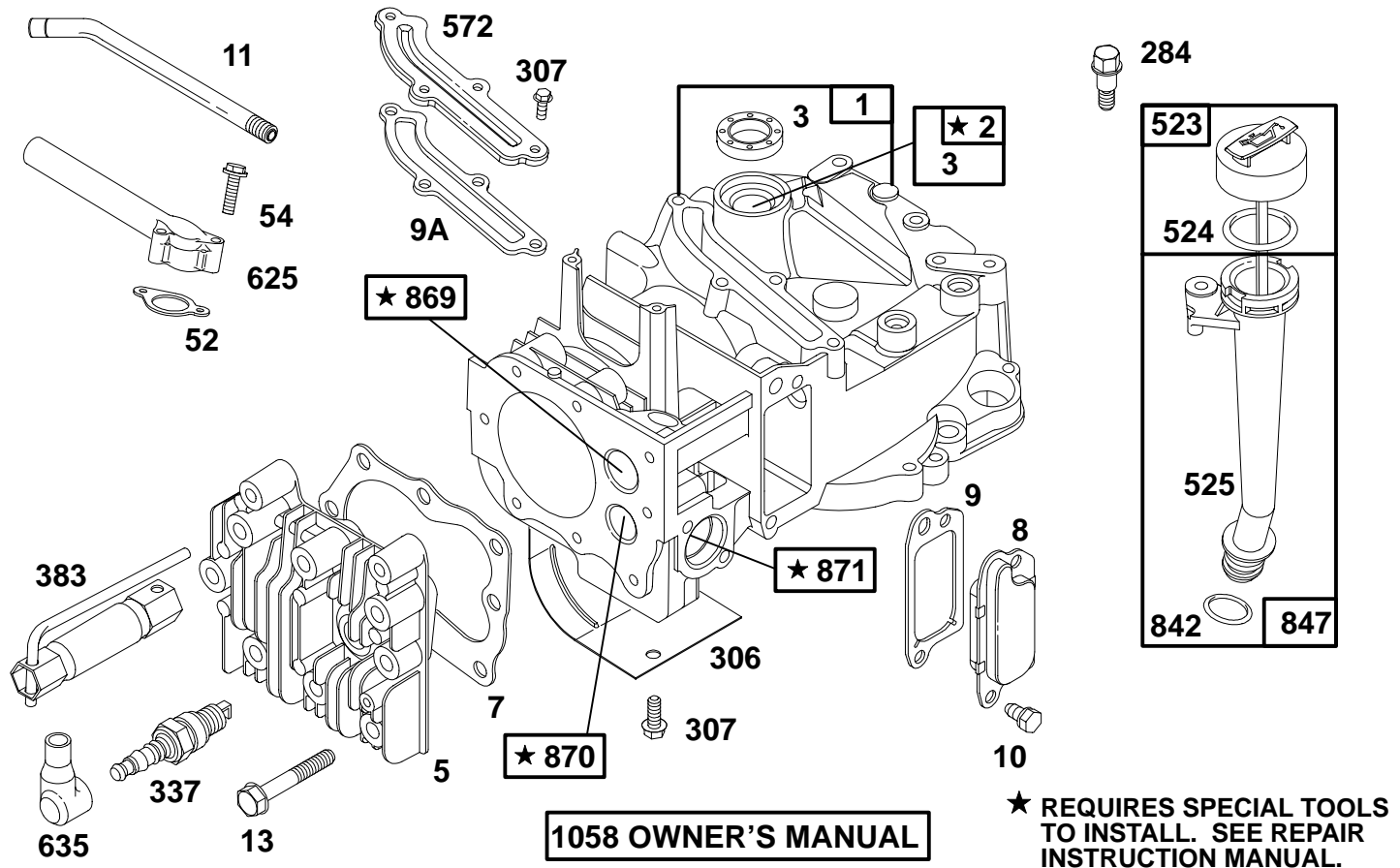
PRINTED IN U.S.A.

COPYRIGHT©

BRIGGS & STRATTON

®

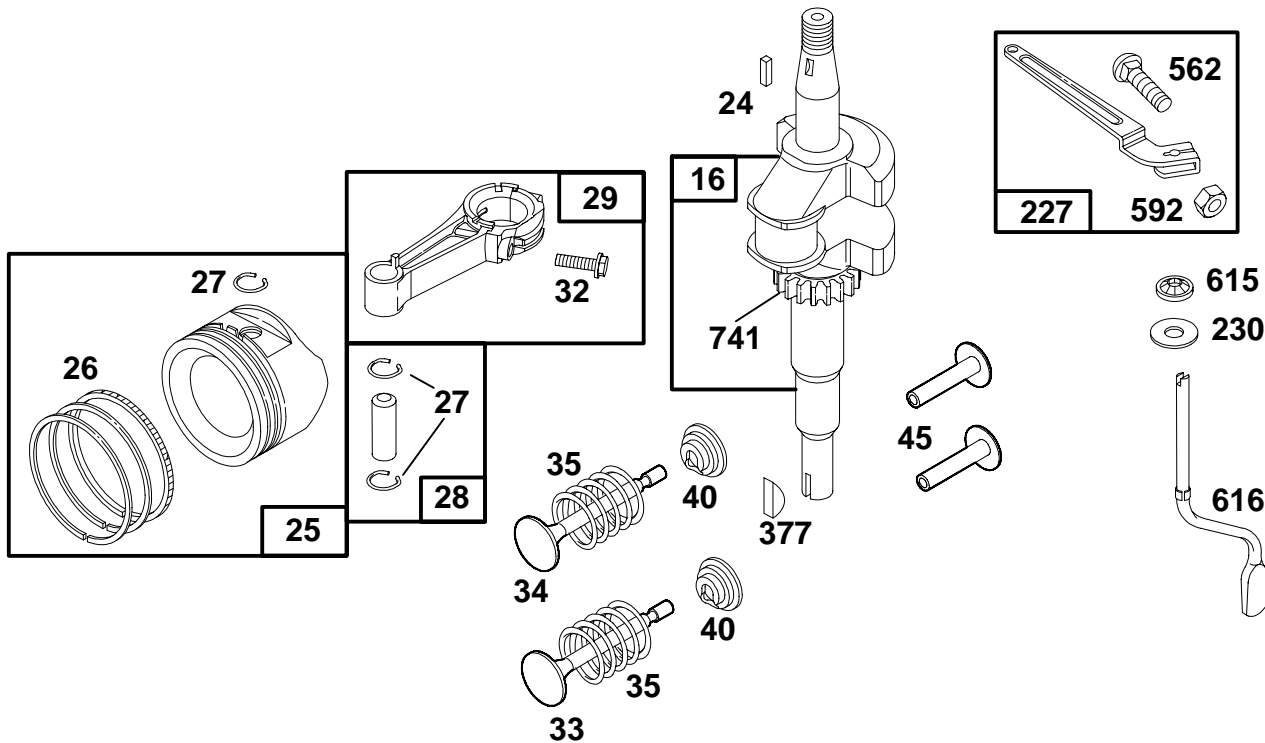
123800 to 123899



★ **REQUIRES SPECIAL TOOLS TO INSTALL. SEE REPAIR INSTRUCTION MANUAL.**

REF. NO.	PART NO.	DESCRIPTION	REF. NO.	PART NO.	DESCRIPTION	REF. NO.	PART NO.	DESCRIPTION			
1	493260	Cylinder Assembly			Note	625	492717	Manifold-Intake			
2	293708	Bushing			492167	Plug-Spark	635	66538	Boot-Spark Plug		
3	★299819	Seal-Oil			(1-7/8" High, 48 mm)	842	★280966	Seal-Cap			
5	213861	Head-Cylinder	383	89838	Wrench-Spark Plug	847	495263	Tube Assembly-Oil			
7	★272200	Gasket-Cylinder Hd.	523	495264	Cap-Oil Filler			(Used After Code Date 92072600).			
8	494489	Breather Assembly			Note			493459	Tube Assembly-Oil		
9	★272481	Gasket-Breather			493950	Cap-Oil Filler		(Used Before Code Date 92072700).			
9A	★272238	Gasket-Breather			524	★280393	Seal-Filler Tube	869	213512	Seat-Valve (Intake)	
10	94650	Screw-Breather Mtg.			525	495265	Tube-Oil Filler	870	213513	Seat-Valve (Exhaust)	
11	231685	Tube-Breather			(Used After Code Date 92072600).			871	262001	Guide-Exhaust Valve	
13	94547	Screw-Cylinder Hd.			Note					Note	
52	★272199	Gasket-Intake Elbow			493952	Tube-Oil Filler				63709	Guide-Intake Valve
54	94526	Screw-Hex. Head			(Used Before Code Date 92072700).			1058	272262	Owner's Manual	
284	94511	Screw-Hex. Head			572	224328	Baffle-Cylinder				
306	224324	Shield-Cylinder									
307	94515	Screw-Hex. Head									
337	802592	Plug-Spark (Resistor Type) (1-7/8" High, 48 mm)									

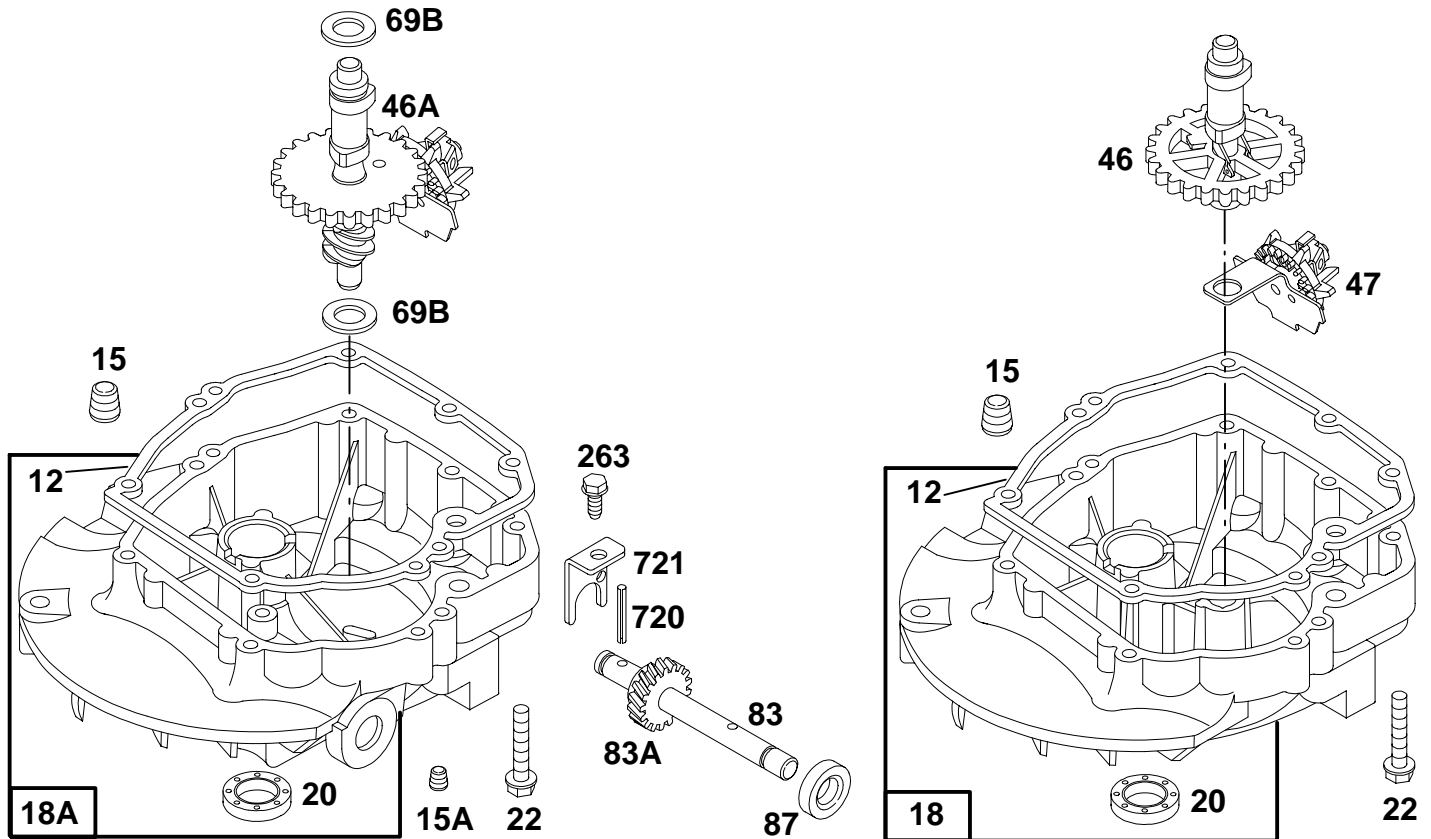
- ★ Included in Gasket Set-See Ref. 358.
- Included in Carburetor Kit-Part No. 493762.
- ◆ Included in Carburetor Gasket Set-Part No. 490937.



REF. NO.	PART NO.	DESCRIPTION	REF. NO.	PART NO.	DESCRIPTION	REF. NO.	PART NO.	DESCRIPTION
16	493282	Crankshaft Note For Timing Gear Key— Order Part No. 94388. 493362 Crankshaft Used on Type No(s). 0211, 0212, 0215, 0216, 0218, 0219, 0221, 0228, 0229, 0265, 0267, 0409, 0411, 0412, 0415, 0418, 0419, 0425, 0426, 0428, 0433, 0436, 0437, 0438, 0443, 0465, 0472, 0474, 0483, 0486, 0560, 0567, 0568, 3416, 3417, 4401. 493363 Crankshaft Used on Type No(s). 0209, 0217, 0220, 0225, 0266, 0269, 0416, 0432, 0439, 0444, 0466, 0469, 0470, 0471, 0476, 0569, 3418, 3419.	24	222698	Key—Flywheel	28	298909	Pin—Piston (Standard)
25	493262	Piston Assy. (Standard)	25	493262	Piston Assy. (Standard)	28	298908	Pin—Piston (.005" O.S.)
		493385 Piston Assy. (.010" O.S.)			493385 Piston Assy. (.010" O.S.)	29	490566	Rod—Connecting (Standard)
		493386 Piston Assy. (.020" O.S.)			493386 Piston Assy. (.020" O.S.)			490743 Rod— Connecting (.020" Undersize)
		493387 Piston Assy. (.030" O.S.)			493387 Piston Assy. (.030" O.S.)	32	94699	Screw—Connecting Rod
26	493261	Ring Set (Standard)	26	493261	Ring Set (Standard)	33	262651	Valve—Exhaust
		493388 Ring Set (.010" O.S.)			493388 Ring Set (.010" O.S.)	34	262652	Valve—Intake
		493389 Ring Set (.020" O.S.)			493389 Ring Set (.020" O.S.)	35	262224	Spring—Valve
		493390 Ring Set (.030" O.S.)			493390 Ring Set (.030" O.S.)	40	93312	Retainer—Valve
27	26026	Lock—Piston Pin	27	26026	Lock—Piston Pin	45	262204	Tappet—Valve
						227	492349	Lever Assembly— Governor.
						230	67072	Washer—Gov. Crank
						377	94329	Key—Woodruff (For 25 mm Crank- shaft)
						562	92613	Bolt—Governor Lever
						592	231082	Nut—Hex.
						615	94474	Fastener
						616	262578	Crank—Governor
						741	262598	Gear—Timing

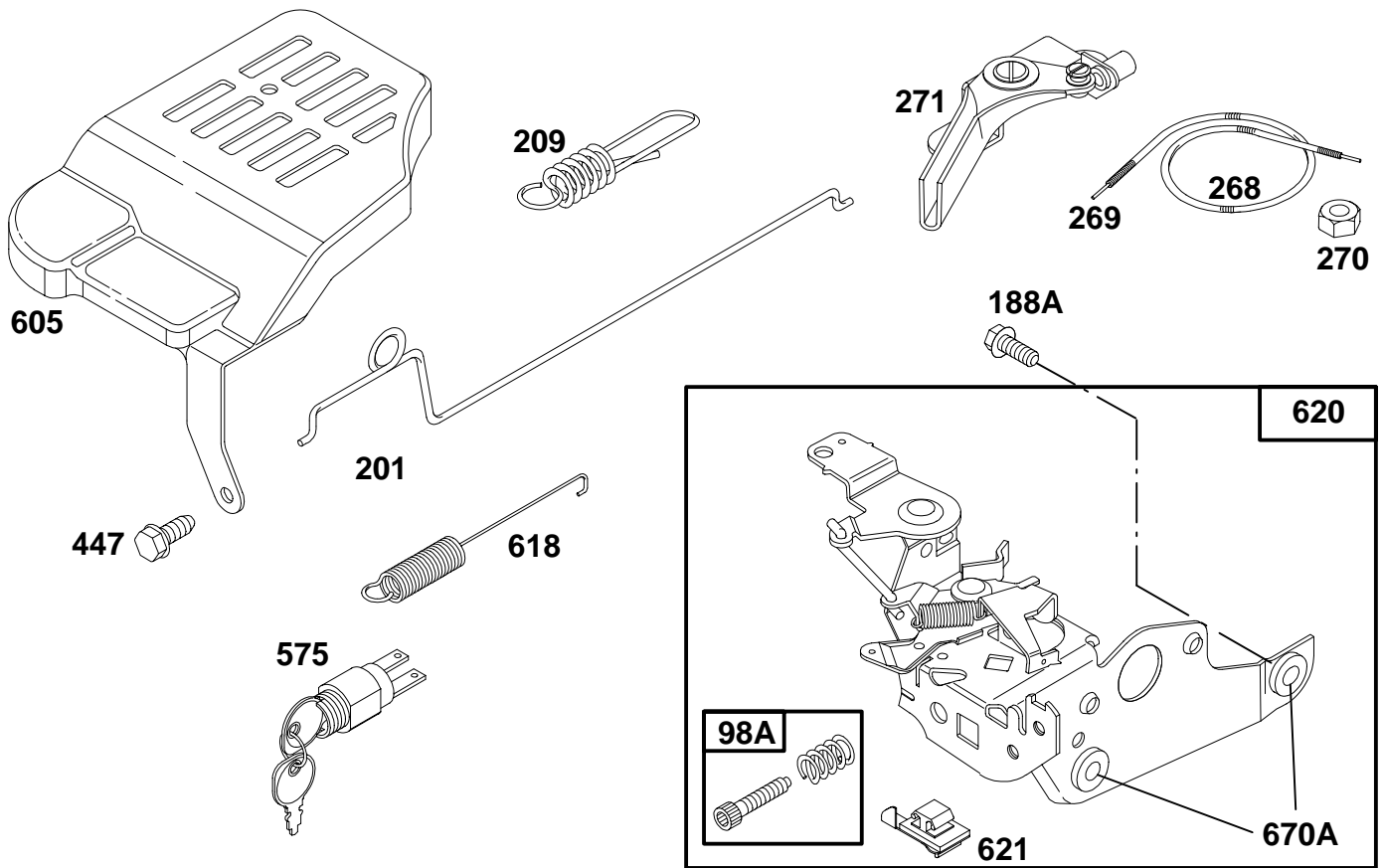
- ★ Included in Gasket Set—See Ref. 358.
- Included in Carburetor Kit—Part No. 493762.
- ◆ Included in Carburetor Gasket Set—Part No. 490937.

123800 to 123899



REF. NO.	PART NO.	DESCRIPTION	REF. NO.	PART NO.	DESCRIPTION	REF. NO.	PART NO.	DESCRIPTION
12	★272198	Gasket-Crankcase	22	94220	Screw-Hex. Head	83	231671	Shaft-Drive
15	94613	Plug-Oil Drain			Note			Note
15A	94470	Plug-Oil Drain (Hex. Socket, 1/16-27 NPT)			94612 Screw-Hex. Head One Used in Hole Nearest Breather.			231748 Shaft-Drive Used on Type No(s). 0230, 0417, 0434, 0438, 0452, 0472.
18	493279	Sump-Engine	46	492830	Gear-Cam	83A	231279	Gear-Drive
18A	493365	Sump-Engine	46A	493738	Gear-Cam (Counterclockwise)	87	391484	Seal-Oil
20	★399781	Seal-Oil	47	493737	Slinger-Oil	263	93572	Screw-Hex. Head
			69B	68938	Washer-Thrust	720	93474	Pin-Roll
						721	224249	Stop-Shaft

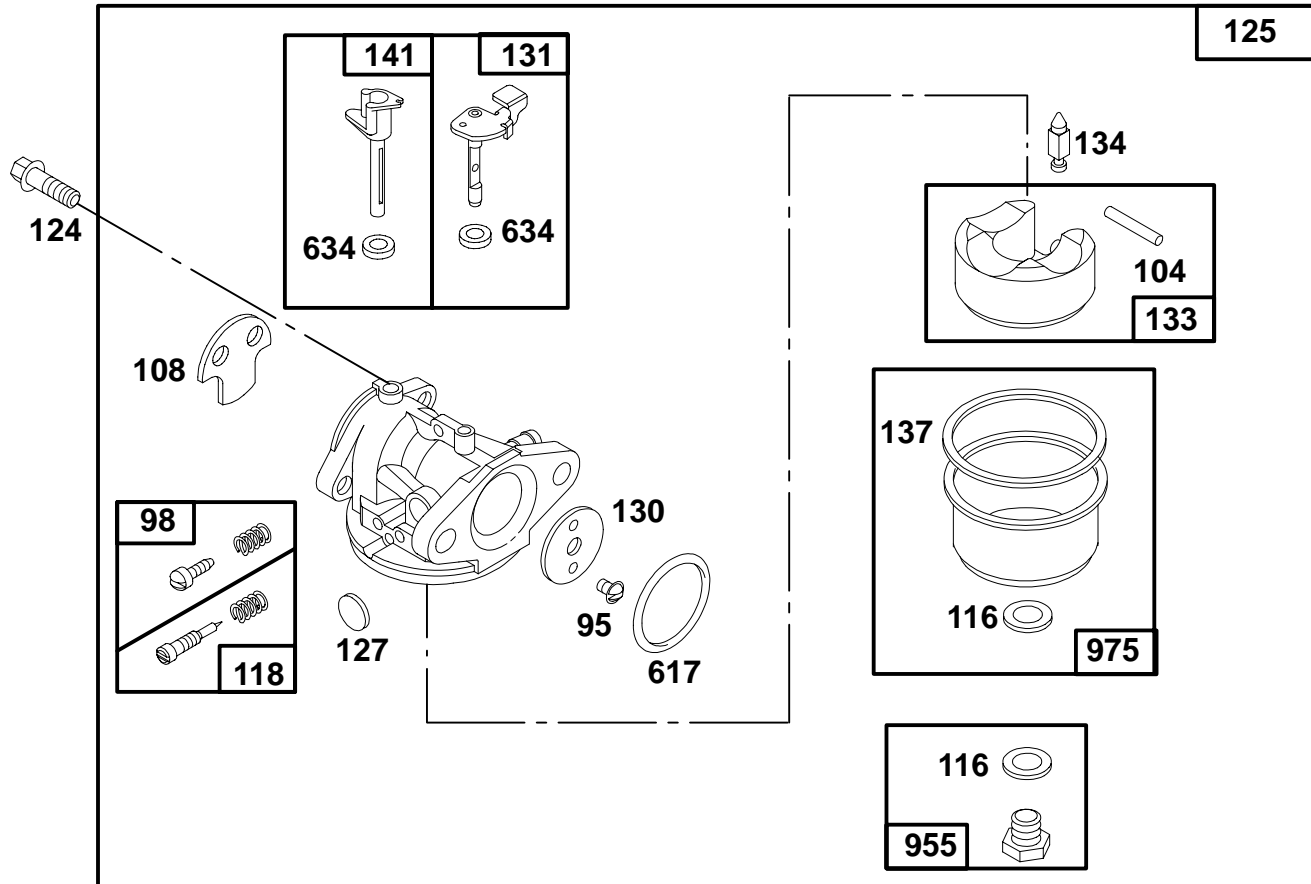
- ★ Included in Gasket Set-See Ref. 358.
- Included in Carburetor Kit-Part No. 493762.
- ◆ Included in Carburetor Gasket Set-Part No. 490937.



REF. NO.	PART NO.	DESCRIPTION	REF. NO.	PART NO.	DESCRIPTION	REF. NO.	PART NO.	DESCRIPTION
98A	493280	Screw—Speed Adj.	268	65616	Casing—Wire (72" Long)	270	63426	Locknut—Casing
188A	94644	Screw—Hex. Hd.		66986	Casing—Wire	271	290568	Lever—Control
201	262579	Link			If Longer Casing is Needed, Specify Length in Inches; if Shorter Casing is Needed, Cut to Required Length.	447	93801	Screw—Hex. Hd.
209	262666	Spring—Governor	269	26633	Wire—Control (78" Long)	575	396291	Switch Assy.—Key
		Note		26099	Wire—Control			Include(s):
		262664 Spring—Gov. Used on Type No(s). 0222, 0228, 0417, 0418, 0429, 0484, 0560.			If Longer Wire is Needed, Specify Length in Inches; if Shorter Wire is Needed, Cut to Required Length.	605	224509	Bracket—Support
		262667 Spring—Gov. Used on Type No(s). 0428, 0437, 0474, 0478, 0479, 3411, 3415, 3416, 3417, 3420.				618	262749	Spring
		262678 Spring—Gov. Used on Type No(s). 0226, 0227, 0425, 0426, 0476, 3412, 3216, 3217, 3218, 3413, 3414.				620	495975	Bracket—Control (Used After Code Date 93080100).
								Note
						621	396847	Switch—Stop
						670A	★493823	Spacer (Includes 2)

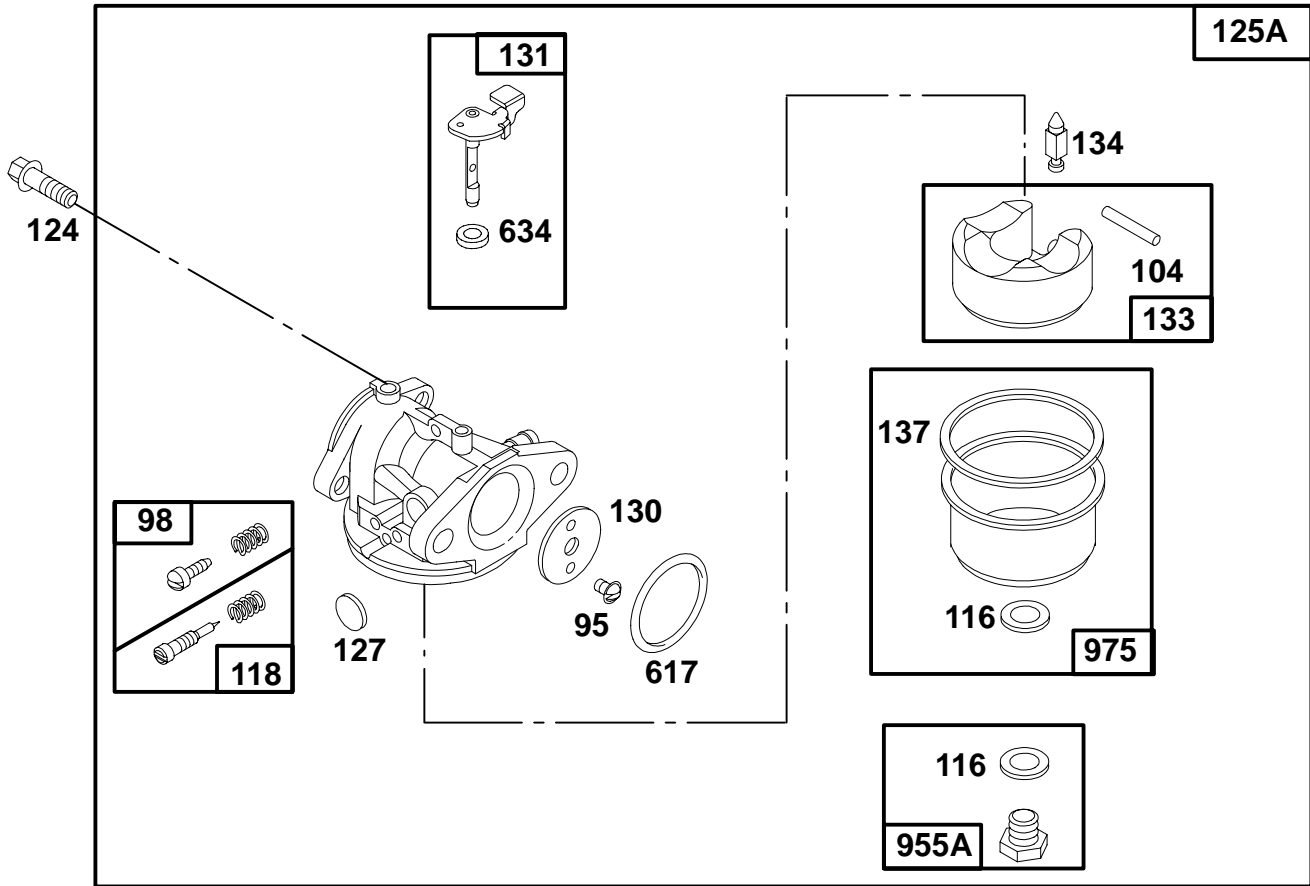
- ★ Included in Gasket Set—See Ref. 358.
- Included in Carburetor Kit—Part No. 493762.
- ◆ Included in Carburetor Gasket Set—Part No. 490937.

123800 to 123899



REF. NO.	PART NO.	DESCRIPTION	REF. NO.	PART NO.	DESCRIPTION	REF. NO.	PART NO.	DESCRIPTION
95	94098	Screw—Round Head	130	223470	Valve—Throttle			<p align="center">————— Note —————</p> <p>496063 Screw—Fuel Bowl (Standard)</p> <p>OR</p> <p>494870 Screw—Fuel Bowl (High Altitude) (Used Before Code Date 93080200). Used on Type No(s). 0208, 0264, 0464, 0465, 0509.</p> <p>975 493640 Bowl—Float</p>
98	398185	Screw—Idle Adjustment	131	493267	Shaft—Throttle			
104	●231371	Pin—Float Hinge	133	398187	Float—Carburetor			
108	223471	Valve—Choke	134	●398188	Valve—Needle (Includes Seat)			
116	◆	Gasket—Sealing (Sold in Kit Only)	137	◆	Gasket—Float Bowl (Sold in Kit Only)			
118	●493765	Valve Kit—Needle	141	494218	Shaft—Choke			
124	94525	Screw—Carburetor Mounting	617	◆270344	Seal—Fuel Intake Tube			
125	494217	Carburetor	634	◆	Washer—Shaft (Sold in Kit Only)			
		————— Note —————	955	493869	Screw—Fuel Bowl (Standard)			
		493627 Carburetor (For Primer) (Used Before Code Date 93080200). Used on Type No(s). 0208, 0264, 0464, 0465, 0509.			OR			
127	●	Plug—Welch (Sold in Kit Only)			493763 Screw—Fuel Bowl (For High Altitude)			

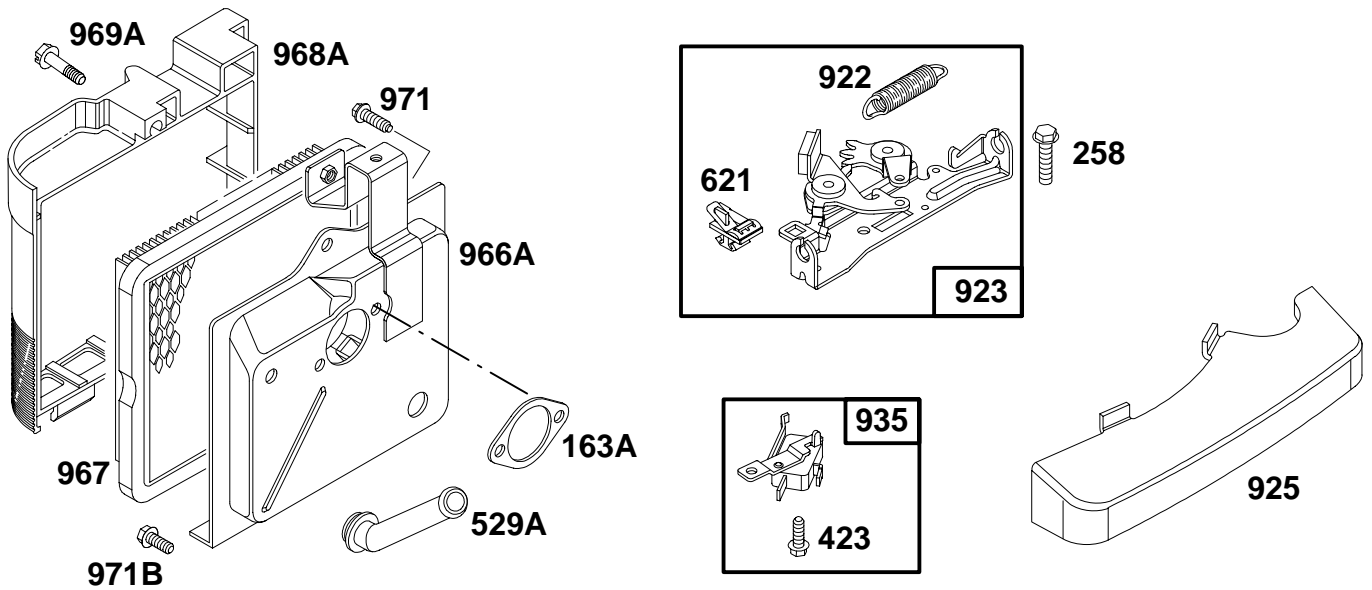
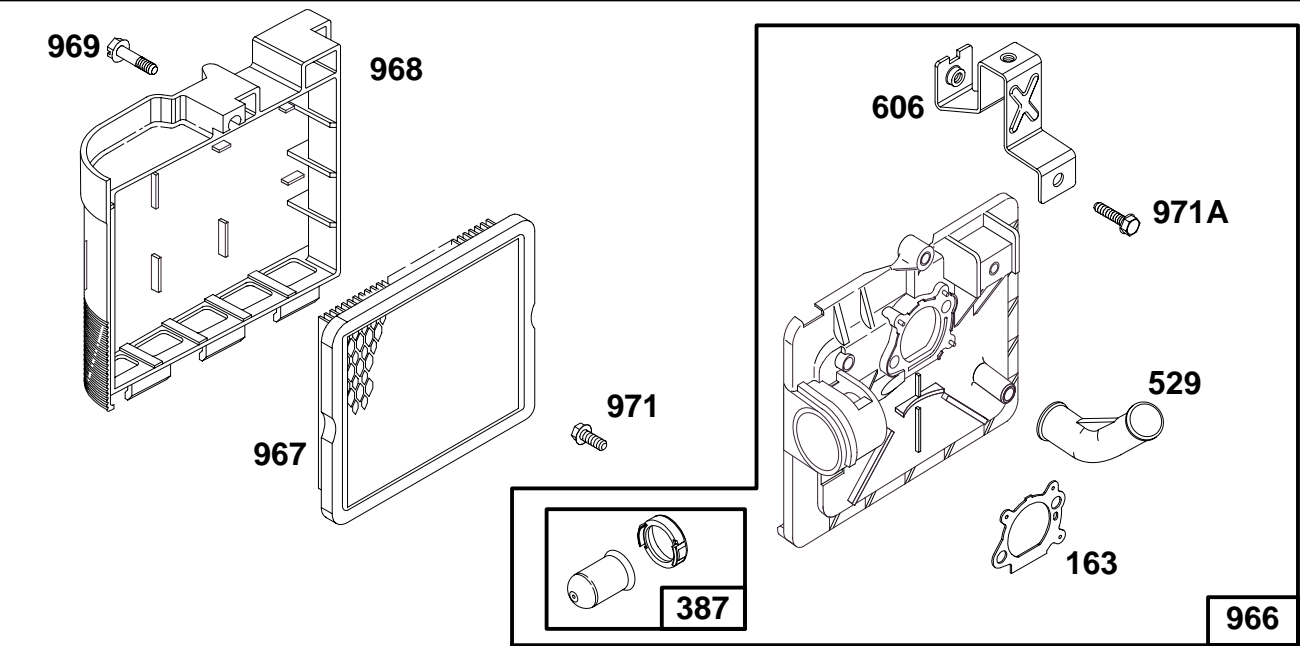
- ★ Included in Gasket Set—See Ref. 358.
- Included in Carburetor Kit—Part No. 493762.
- ◆ Included in Carburetor Gasket Set—Part No. 490937.



REF. NO.	PART NO.	DESCRIPTION	REF. NO.	PART NO.	DESCRIPTION	REF. NO.	PART NO.	DESCRIPTION
95	94098	Screw-Round Head	127	●	Plug-Welch (Sold in Kit Only)	955A	493637	Screw-Fuel Bowl (Standard)
98	398185	Screw-Idle Adjustment	130	223470	Valve-Throttle			OR
104	●231371	Pin-Float Hinge	131	493267	Shaft-Throttle			494870 Screw-Fuel Bowl
116	●◆	Gasket-Sealing (Sold in Kit Only)	133	398187	Float-Carburetor			(For High Altitude)
118	●493765	Valve Kit-Needle	134	●398188	Valve-Needle (Includes Seat)			(Used After Code Date 93080100).
124	94525	Screw-Carburetor Mounting	137	◆◆	Gasket-Float Bowl (Sold in Kit Only)	975	493640	Bowl-Float
125A	496114	Carburetor (For Primer) (Used After Code Date 93080100).	617	◆◆270344	Seal-Fuel Intake Tube			
			634	◆◆	Washer-Shaft (Sold in Kit Only)			

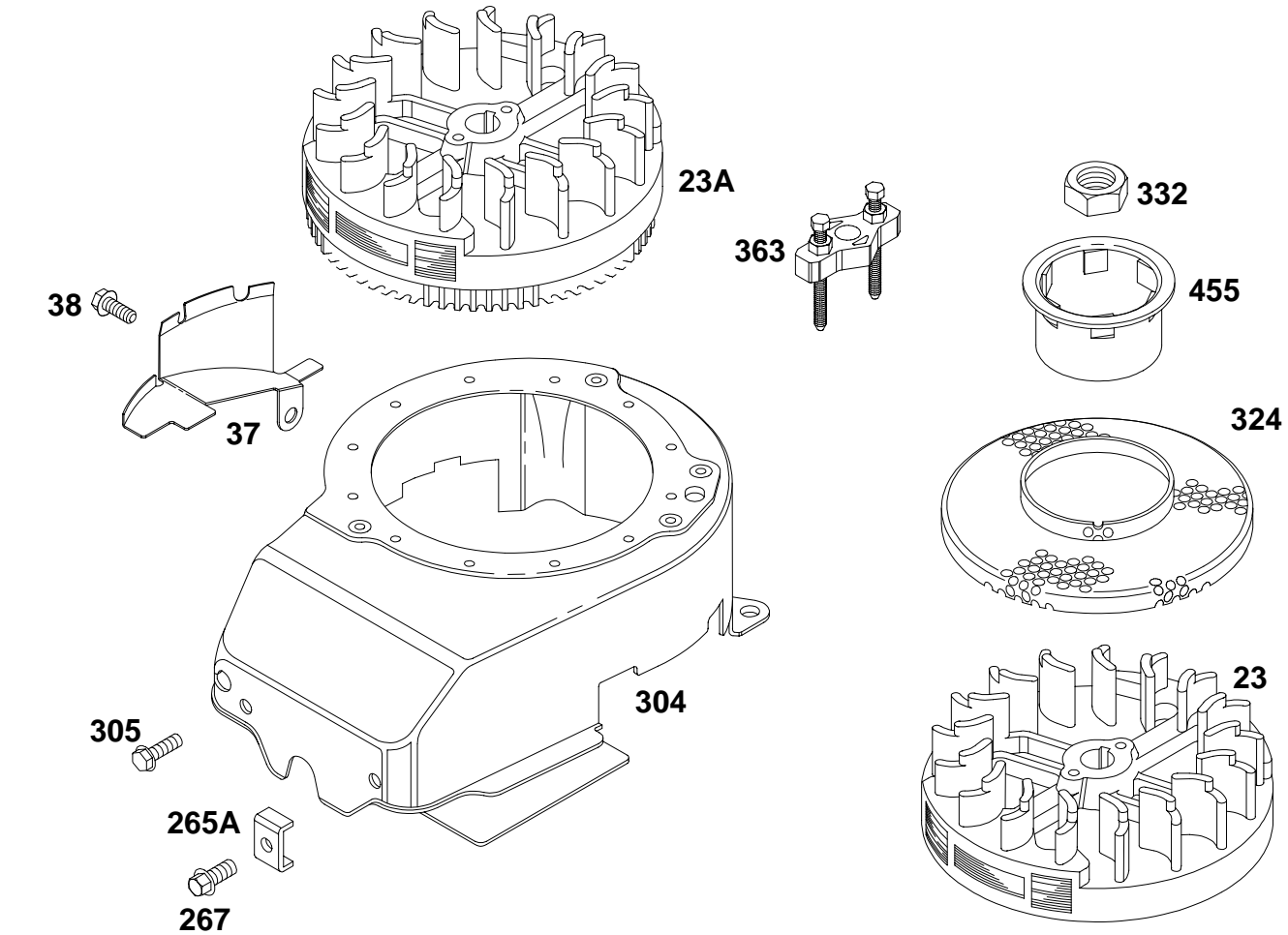
- ★ Included in Gasket Set-See Ref. 358.
- Included in Carburetor Kit-Part No. 493762.
- ◆ Included in Carburetor Gasket Set-Part No. 490937.

123800 to 123899



REF. NO.	PART NO.	DESCRIPTION	REF. NO.	PART NO.	DESCRIPTION	REF. NO.	PART NO.	DESCRIPTION
163	★272653	Gasket–Air Cleaner	925	281145	Cover–Linkage	967	491588	Filter–Air
163A	★272296	Gasket–Air Cleaner	935	398758	Switch–Starter	968	281340	Cover–Air Cleaner
258	94512	Screw–Hex. Head	966	496116	Base–Air Cleaner (Primer Style)	968A	281069	Cover–Air Cleaner
387	496115	Primer–Carburetor			(Used After Code Date 93080100).	969	94120	Screw–Hex. Head
423	93758	Screw–Hex. Hd.	966A	494735	Base–Air Cleaner (Metal)	969A	94173	Screw–Cover Mtg.
529	281299	Grommet			(Used Before Code Date 93080200).	971	94121	Screw–Hex. Head
529A	280943	Grommet				971A	94749	Screw–Hex. Head
606	224815	Strap–Bracket				971B	94269	Screw–Air Cleaner
621	396847	Switch–Stop						
922	262640	Spring–Brake						
923	493442	Brake Assembly						

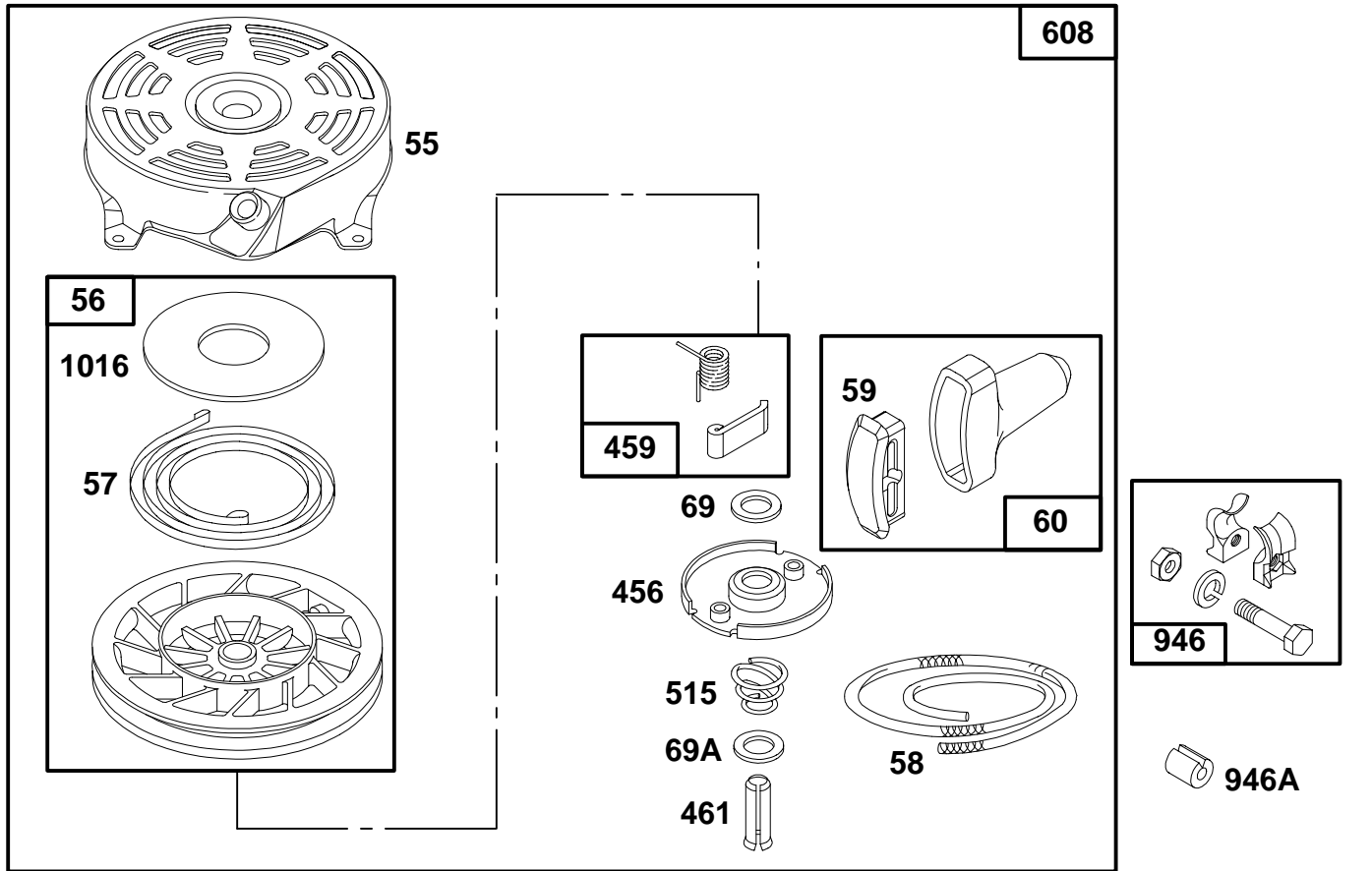
- ★ Included in Gasket Set–See Ref. 358.
- Included in Carburetor Kit–Part No. 493762.
- ◆ Included in Carburetor Gasket Set–Part No. 490937.



REF. NO.	PART NO.	DESCRIPTION	REF. NO.	PART NO.	DESCRIPTION	REF. NO.	PART NO.	DESCRIPTION
23	492177	Flywheel	267	94204	Screw-Clamp Mtg.	305	94513	Screw-Hex. Head Sem
23A	492175	Flywheel	304	493294	Housing-Blower Used on Engines Without Band Brake.	324	224251	Screen-Rotating
		Note			Note	332	92284	Nut-Flywheel
		492893 Flywheel Used on Type No(s). 0220, 0425, 0426, 0439, 0443, 0474.			493293 Housing- Blower Used on Engines With Band Brake.	363	19069	Flywheel Puller
37	224511	Guard-Flywheel				455	224250	Cup-Flywheel
38	94608	Screw-Hex. Hd.						
265A	22372	Clamp-Casing						

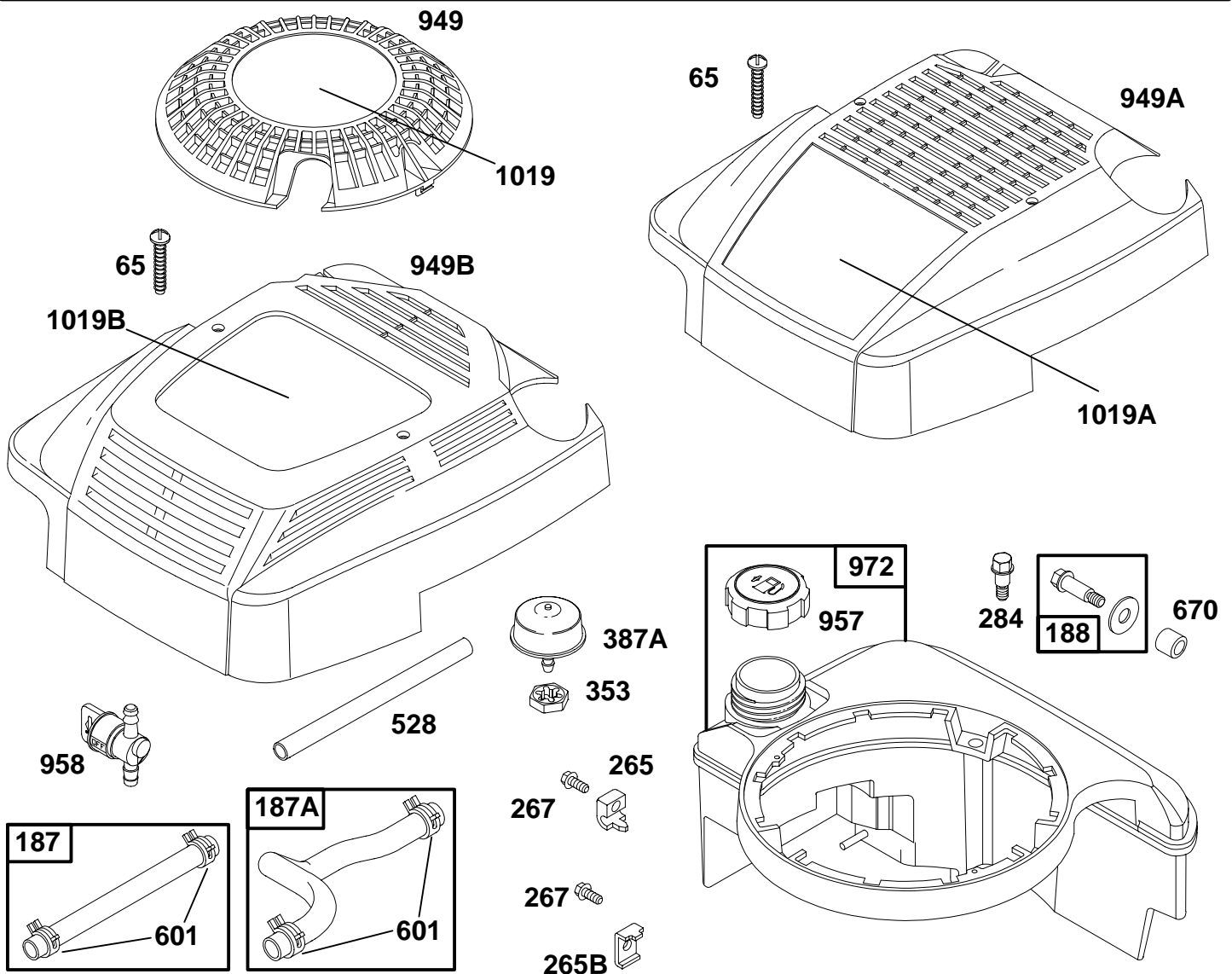
- ★ Included in Gasket Set-See Ref. 358.
- Included in Carburetor Kit-Part No. 493762.
- ◆ Included in Carburetor Gasket Set-Part No. 490937.

123800 to 123899



REF. NO.	PART NO.	DESCRIPTION	REF. NO.	PART NO.	DESCRIPTION	REF. NO.	PART NO.	DESCRIPTION
55	492831	Housing–Rewind Starter	60	393152	Grip–Starter Rope	608	493295	Starter–Rewind
56	493824	Pulley–Starter	69	280973	Washer–Spring			Include(s):
57	262594	Spring–Rewind Starter	69A	224322	Washer–Flat			94128 Screw–Hex. Hd
58	280399	Rope–Starter (Cut To Suit)	456	224321	Retainer–Spring			92987 Nut–Hex.
59	396892	Insert–Handle	459	492833	Pawl–Ratchet	946	396526	Guide–Rope
			461	262626	Pin–Shaft	946A	223294	Stop–Rope
			515	262625	Spring–Retainer	1016	224278	Cover–Pulley

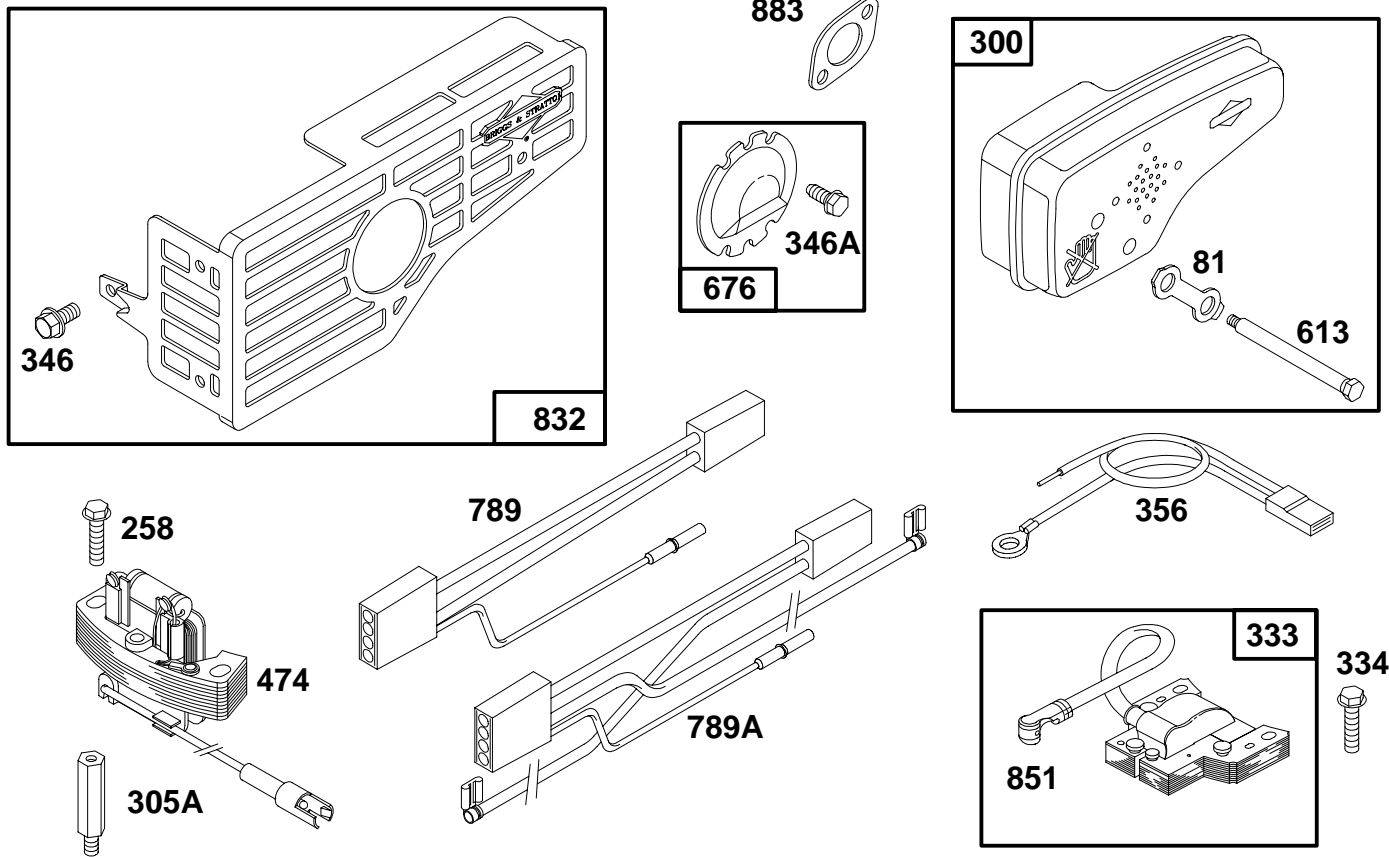
- ★ Included in Gasket Set–See Ref. 358.
- Included in Carburetor Kit–Part No. 493762.
- ◆ Included in Carburetor Gasket Set–Part No. 490937.



REF. NO.	PART NO.	DESCRIPTION	REF. NO.	PART NO.	DESCRIPTION	REF. NO.	PART NO.	DESCRIPTION
65	94696	Screw-Guard Mtg.	354	94581	Washer-lock	949B	496642	Guard-Finger
187	492790	Line-Fuel (Cut to Suit)	387A	394281	Primer-Carburetor	957	397974	Cap-Fuel Tank
187A	492791	Line-Fuel	528	399254	Hose-Primer	958	493960	Valve-Shut-Off
188	398540	Screw-Tank Mounting	601	93807	Clamp-Hose (Black)	972	495224	Tank-Fuel (1.6 Quart, Black)
265	213146	Clamp-Casing			93053			Clamp-Hose (Green)
265B	221535	Clamp-Casing	670	280512	Spacer-Fuel Tank	1019	494256	Label Kit
267	94204	Screw-Clamp Mtg.	949	281136	Guard-Finger	1019A	495354	Label Kit
284	94511	Screw-Hex. Head	949A	281191	Guard-Finger	1019B	496658	Label Kit

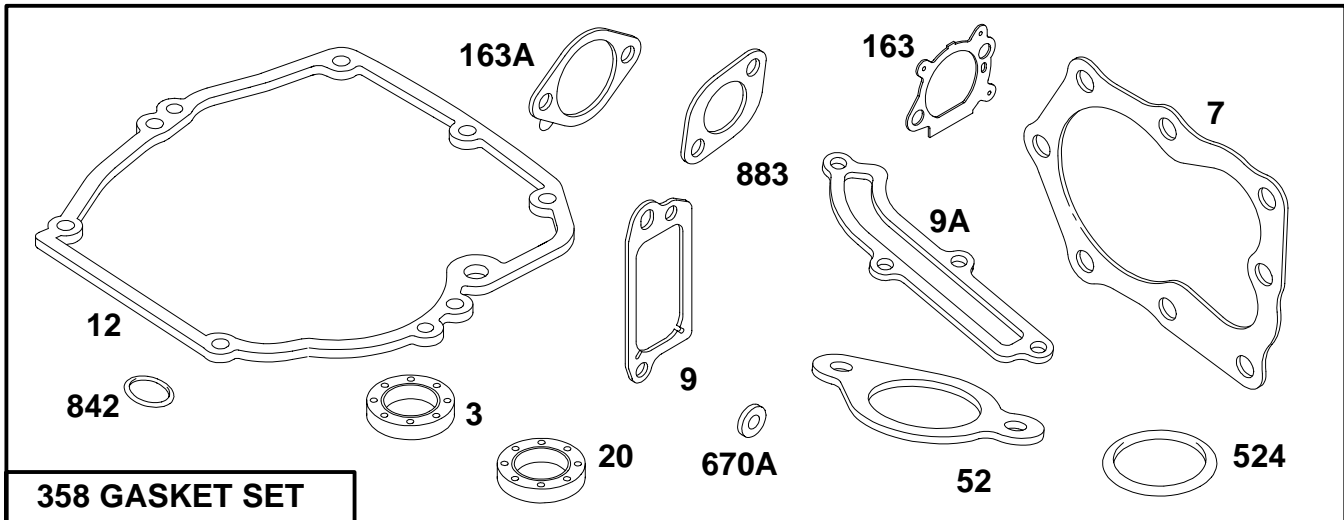
- ★ Included in Gasket Set-See Ref. 358.
- Included in Carburetor Kit-Part No. 493762.
- ◆ Included in Carburetor Gasket Set-Part No. 490937.

123800 to 123899

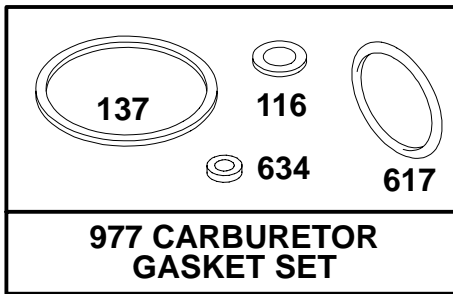


REF. NO.	PART NO.	DESCRIPTION	REF. NO.	PART NO.	DESCRIPTION	REF. NO.	PART NO.	DESCRIPTION	
81	223664	Lock-Muffler Screw			<p align="center">Note</p> <p>398708 Wire-Stop Used on Type No(s). 3216, 3217, 3420.</p>	789A	493380	Harness-Wiring Used on Engines With Band Brake.	
258	94512	Screw-Hex. Head				832	494224	Guard-Muffler	
300	490547	Muffler-Exhaust	474	492841		Alternator	851	221798	Terminal-Cable
305A	94510	Stud-Alternator Mtg.	613	94231		Screw-Muffler Mtg.	883	★272253	Gasket-Muffler
333	802574	Armature-Magneto	676	393756		Deflector-Muffler			
334	93381	Screw-Armature Mtg.	789	493379		Harness-Wiring Used on Engines Without Band Brake.			
346	94602	Screw-Hex. Hd.							
346A	93705	Screw-Hex. Hd.							
356	398808	Wire-Stop							

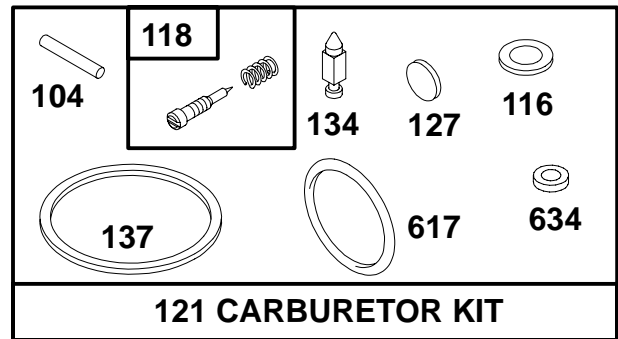
- ★ Included in Gasket Set—See Ref. 358.
- Included in Carburetor Kit—Part No. 493762.
- ◆ Included in Carburetor Gasket Set—Part No. 490937.



358 GASKET SET



977 CARBURETOR GASKET SET

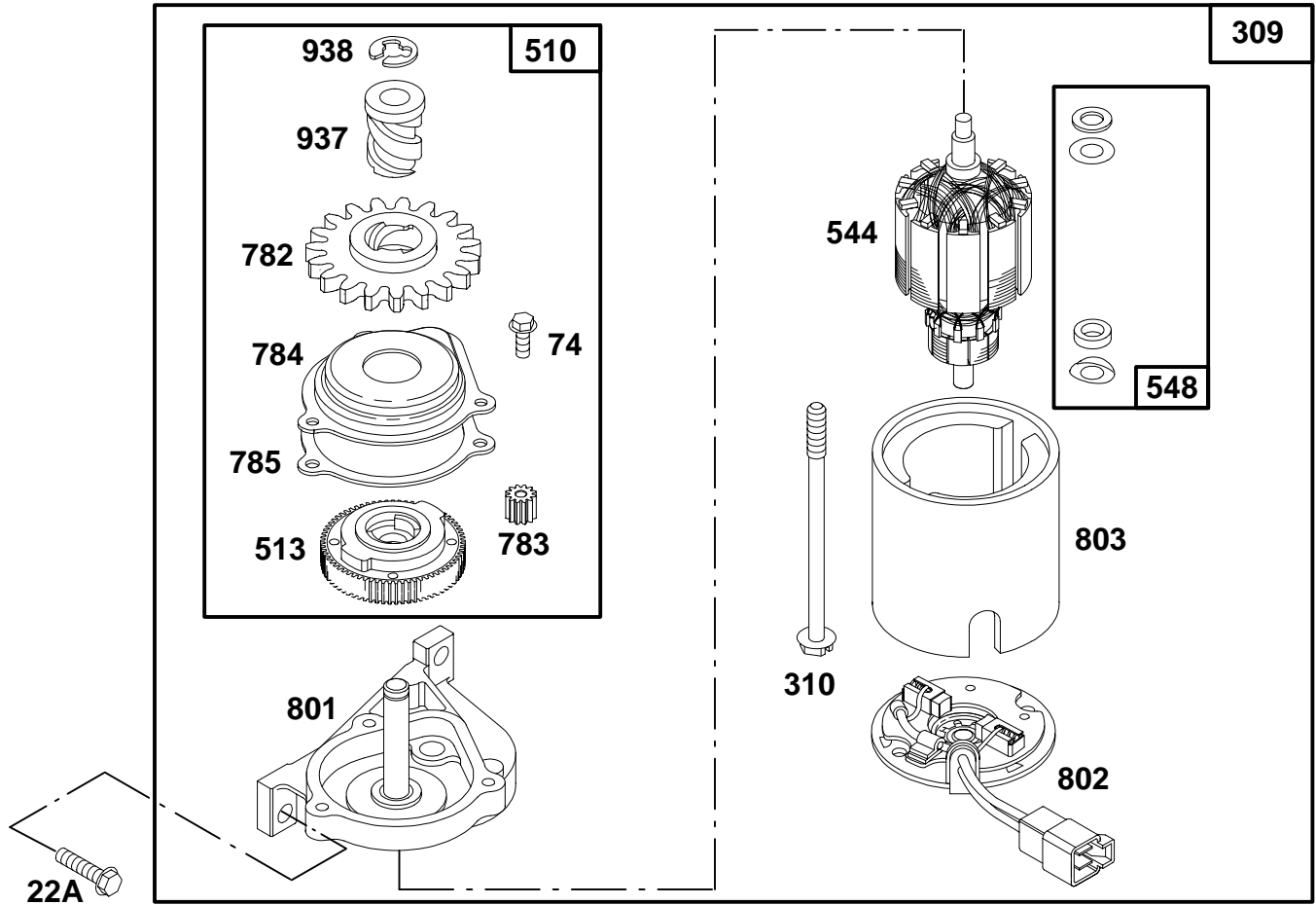


121 CARBURETOR KIT

REF. NO.	PART NO.	DESCRIPTION	REF. NO.	PART NO.	DESCRIPTION	REF. NO.	PART NO.	DESCRIPTION
3	★299819	Seal—Oil						
7	★272200	Gasket—Cylinder Hd.						
9	★272481	Gasket—Breather						
9A	★272238	Gasket—Breather						
12	★272198	Gasket—Crankcase						
20	★399781	Seal—Oil						
52	★272199	Gasket—Intake Elbow						
104	●231371	Pin—Float Hinge						
116	◆	Gasket—Sealing (Sold in Kit Only)						
121	493762	Carburetor Kit						
118	●493765	Valve Kit—Needle						
127	●	Plug—Welch						
					(Sold in Kit Only)			
			134	●398188	Valve—Needle (Includes Seat)			
			137	◆	Gasket—Float Bowl (Sold in Kit Only)			
			163	★272653	Gasket—Air Cleaner			
			163A	★272296	Gasket—Air Cleaner			
			358	496117	Gasket Set (Used After Code Date 93080100).			
					Note			
					493263 Gasket Set (Used Before Code			
					Date 93080200).			
					524 ★280393 Seal—Filler Tube			
					617 ●◆270344 Seal—Fuel Intake Tube			
					634 ●◆ Washer—Shaft (Sold in Kit Only)			
					670A ★493823 Spacer (Includes 2)			
					842 ★280966 Seal—Cap			
					883 ★272253 Gasket—Exhaust Pipe			
					977 490937 Gasket Set— Carburetor			

★ Included in Gasket Set—See Ref. 358.
 ● Included in Carburetor Kit—Part No. 493762.
 ◆ Included in Carburetor Gasket Set—Part No. 490937.

123800 to 123899



REF. NO.	PART NO.	DESCRIPTION	REF. NO.	PART NO.	DESCRIPTION	REF. NO.	PART NO.	DESCRIPTION
22A	94268	Screw-Hex. Head	544	492921	Armature-Sarter	801	492335	Cap-Drive
74	93490	Screw-Hex. Head	548	492919	Washer Set	802	492922	Cap-End
309	494233	Motor-Starter	782	281127	Gear-Starter	803	492920	Housing-Starter
310	94051	Screw-Hex. Head	783	261606	Gear-Starter	937	281125	Spline-Starter
510	494147	Drive-Starter	784	224262	Cover-Gear	938	93941	Retainer-Lock
513	394815	Clutch-Drive	785	272201	Gasket-Cover			

- ★ Included in Gasket Set-See Ref. 358.
- Included in Carburetor Kit-Part No. 493762.
- ◆ Included in Carburetor Gasket Set-Part No. 490937.