



Illustrated Parts List

Model Series

12D300

TYPE NUMBERS
0007 through 0019.

TABLE OF CONTENTS

| | |
|--|---|
| Blower Housing/Shrouds | 6 |
| Camshaft | 2 |
| Carburetor | 4 |
| Controls | 5 |
| Crankcase Cover | 2 |
| Crankshaft | 2 |
| Cylinder | 2 |
| Cylinder Head | 3 |
| Electric Starter | 5 |
| Exhaust System | 6 |
| Flywheel | 6 |
| Fuel Supply | 4 |
| Governor Spring | 5 |
| Ignition | 5 |
| Kits/Gaskets – Carburetor | 4 |
| Kits/Gaskets – Engine | 2 |
| Kits/Gaskets – Valves | 3 |
| Lubrication | 2 |
| Piston Group | 2 |
| Rewind Starter | 5 |

PRINTED IN U.S.A.



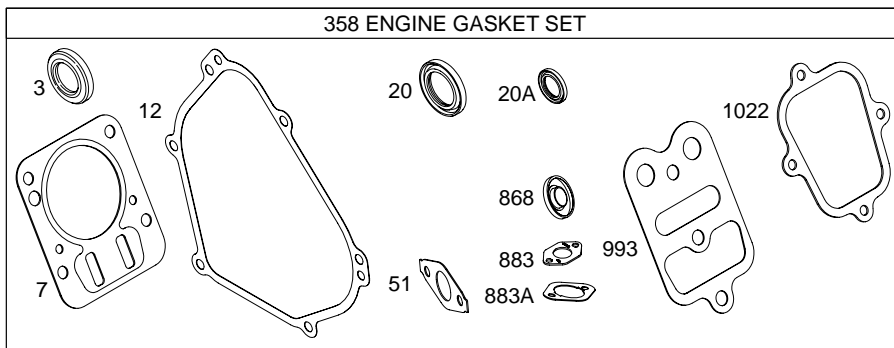
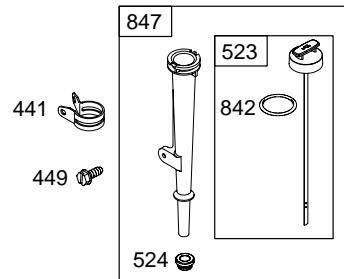
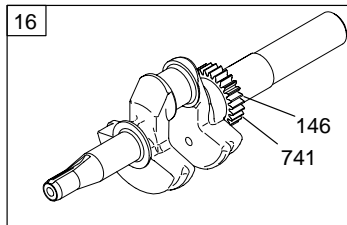
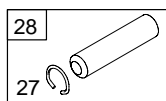
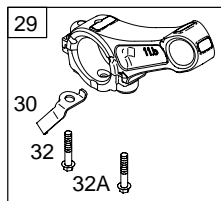
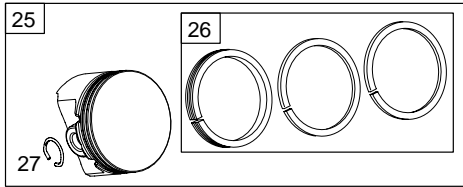
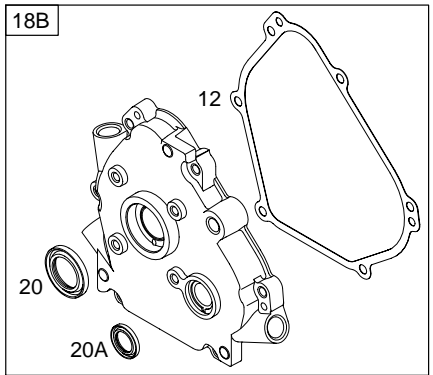
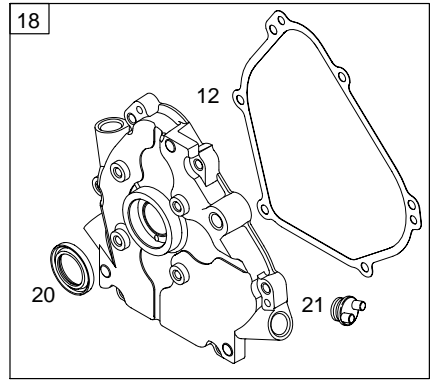
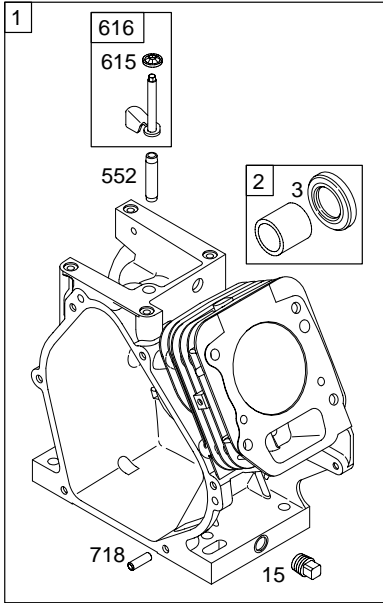
COPYRIGHT by BRIGGS & STRATTON CORPORATION
All rights reserved. No part of this material may be reproduced or transmitted, in any form or by any means, electronic or mechanical, including photocopying, recording or by any information storage and retrieval system, without permission in writing from Briggs & Stratton Corporation.

12D300

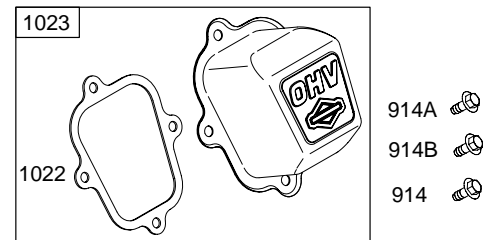
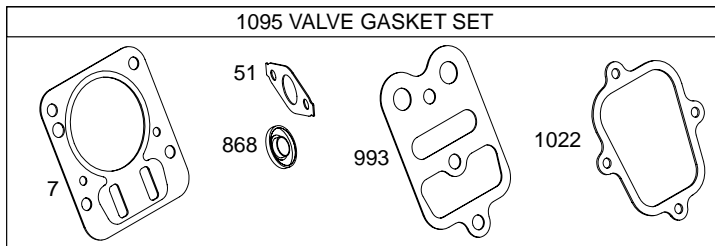
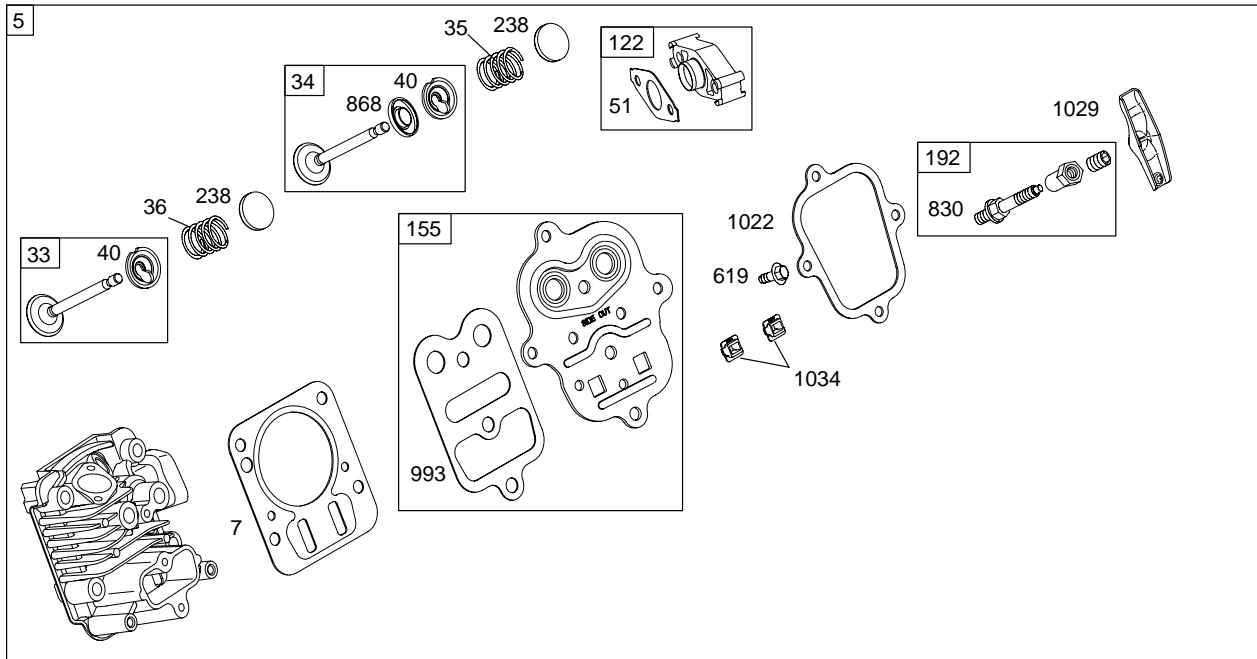
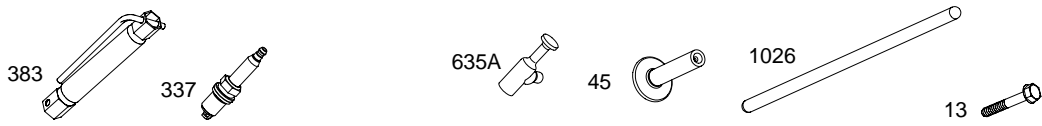
1019 LABEL KIT

1058 OWNER'S MANUAL

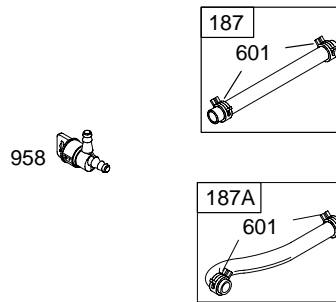
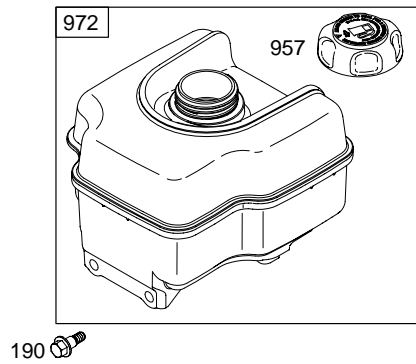
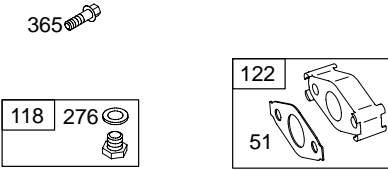
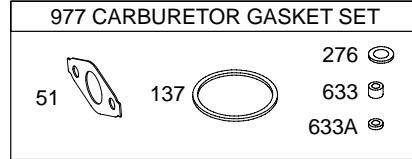
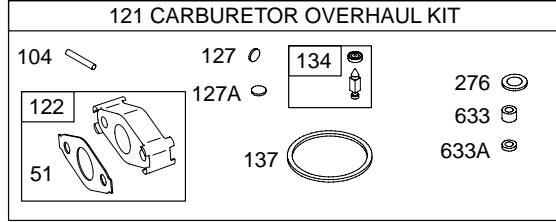
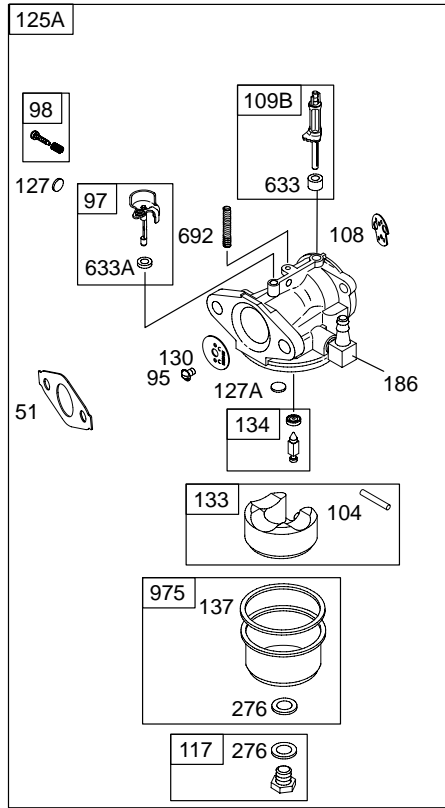
1330 REPAIR MANUAL

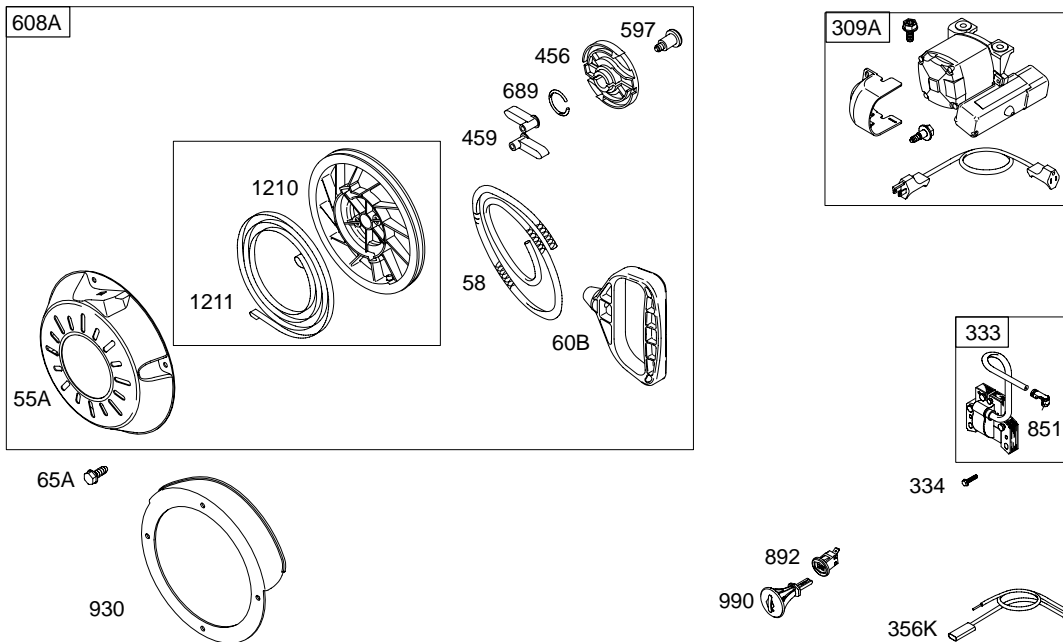
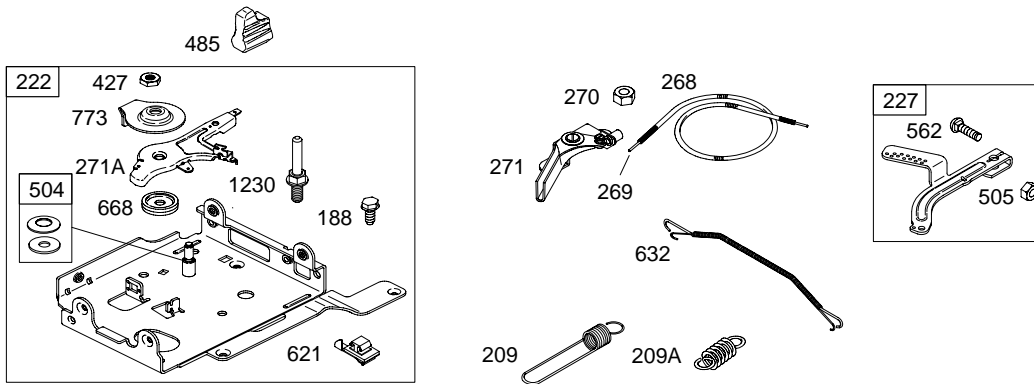


Illustrations cover a range of engines. Parts shown without corresponding text may not be used on your specific engine.
 5723-2 Assemblies include all parts shown in frames. 10/20/2004



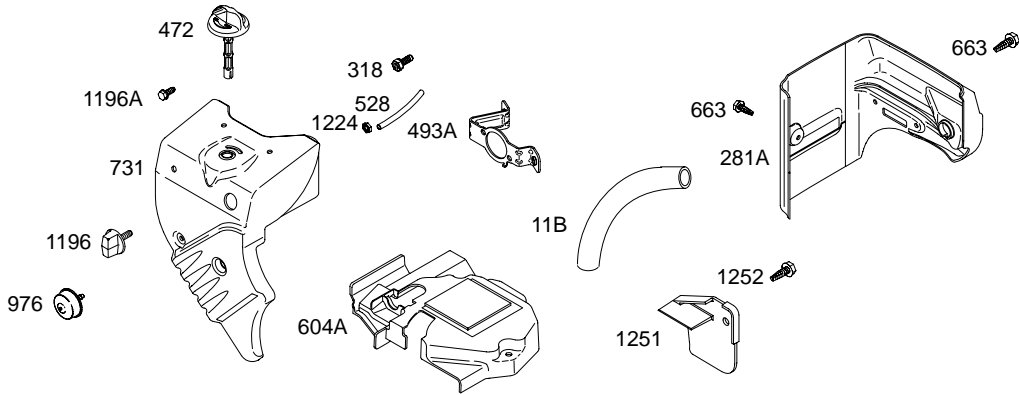
Illustrations cover a range of engines. Parts shown without corresponding text may not be used on your specific engine.
5723-3 Assemblies include all parts shown in frames. **10/20/2004**



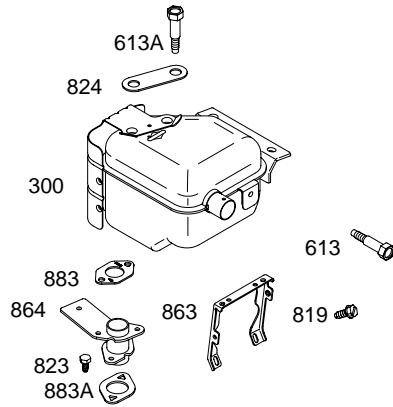
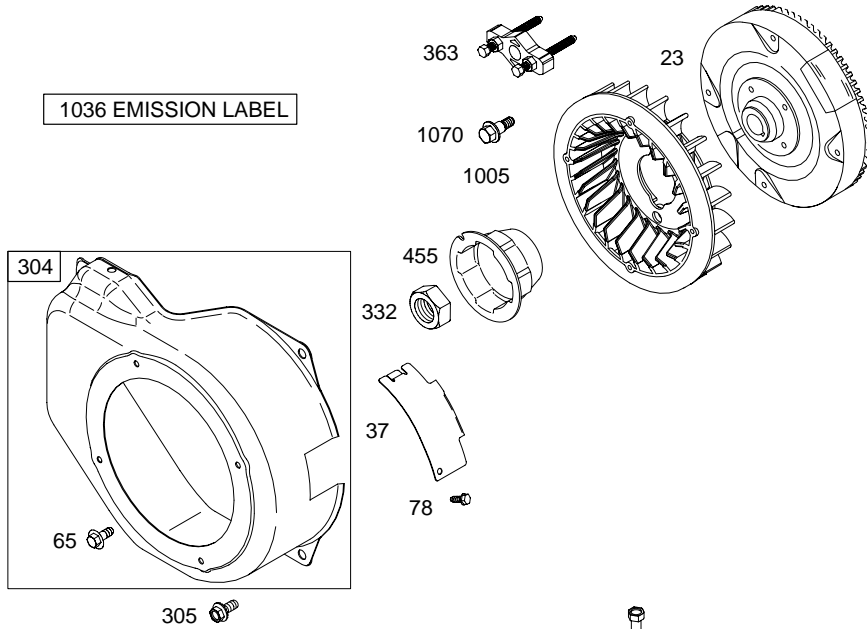


Illustrations cover a range of engines. Parts shown without corresponding text may not be used on your specific engine.
 5723-5 Assemblies include all parts shown in frames. 10/20/2004

12D300



1036 EMISSION LABEL



Illustrations cover a range of engines. Parts shown without corresponding text may not be used on your specific engine.
5723-6 Assemblies include all parts shown in frames. 10/20/2004

| REF. NO. | PART NO. | DESCRIPTION | REF. NO. | PART NO. | DESCRIPTION | REF. NO. | PART NO. | DESCRIPTION | |
|----------|----------|--|----------|-----------|---------------------------------------|---------------------------|----------|------------------------------------|----------------|
| 1 | 699505 | Cylinder Assembly | 26 | 499631 | Ring Set (Standard) | 95 | 691636 | Screw (Throttle Valve) | |
| 2 | 399269 | Kit-Bushing/Seal (Magneto Side) | | | ————— Note ————— | 97 | 690024 | Shaft-Throttle | |
| 3 | ★299819 | Seal-Oil (Magneto Side) | | | 692786 | Ring Set (.020" Oversize) | 98 | 398185 | Kit-Idle Speed |
| 5 | 699486 | Head-Cylinder | 27 | 691866 | Lock-Piston Pin | 104 | ●691242 | Pin-Float Hinge | |
| 7 | ★∅698210 | Gasket-Cylinder Head | 28 | 499423 | Pin-Piston | 108 | 695807 | Valve-Choke | |
| 11B | 695745 | Tube-Breather | 29 | 690124 | Rod-Connecting | 109B | 695729 | Shaft-Choke | |
| 12 | ★699485 | Gasket-Crankcase | 30 | 692562 | Dipper-Connecting Rod | 117 | 690048 | Jet-Main (Standard) | |
| 13 | 699482 | Screw (Cylinder Head) | 32 | 691664 | Screw (Connecting Rod) | 118 | 498977 | Jet-Main (High Altitude) | |
| 15 | 691686 | Plug-Oil Drain | 32A | 695759 | Screw (Connecting Rod) | 121 | 696998 | Kit-Carburetor Overhaul | |
| 16 | 699445 | Crankshaft Used on Type No(s). 0007, 0017, 0018. | 33 | 499642 | Valve-Exhaust | 122 | ●693749 | Spacer-Carburetor | |
| | | ————— Note ————— | 34 | 499641 | Valve-Intake | 125A | 695727 | Carburetor | |
| | | 699451 | 35 | 691304 | Spring-Valve (Intake) | 127 | ●694468 | Plug-Welch | |
| | | Used on Type No(s). 0009, 0019. | 36 | 691304 | Spring-Valve (Exhaust) | 127A | ●691739 | Plug-Welch | |
| 18 | 699804 | Cover-Crankcase | 37 | 699661 | Guard-Flywheel | 130 | 691181 | Valve-Throttle | |
| 18B | 699677 | Cover-Crankcase | 40 | 692194 | Retainer-Valve | 133 | 398187 | Float-Carburetor | |
| 20 | ★692550 | Seal-Oil (PTO Side) | 45 | 690977 | Tappet-Valve | 134 | ●398188 | Kit-Needle/Seat | |
| 20A | ★691952 | Seal-Oil (PTO Side) | 46 | 693404 | Camshaft | 137 | ●693981 | Gasket-Float Bowl | |
| 21 | 281658 | Cap-Oil Fill | 46A | 694831 | Camshaft | 146 | 690979 | Key-Timing | |
| 22 | 699478 | Screw (Crankcase Cover/ Sump) | 51 | ★●∅692555 | Gasket-Intake | 155 | 698214 | Plate-Cylinder Head | |
| 23 | 699516 | Flywheel | 55A | 696710 | Housing-Rewind Starter | 186 | 692317 | Connector-Hose | |
| 24 | 222698 | Key-Flywheel | 58 | 693389 | Rope-Starter (Cut To Required Length) | 187 | 691050 | Line-Fuel (Cut To Required Length) | |
| 25 | 499627 | Piston Assembly (Standard) | 60B | 699334 | Grip-Starter Rope | 187A | 692601 | Line-Fuel (Molded) | |
| | | ————— Note ————— | 65 | 699228 | Screw (Rewind Starter) | 188 | 699479 | Screw (Control Bracket) | |
| | | 692789 | 65A | 699851 | Screw (Rewind Starter) | 190 | 699220 | Screw (Fuel Tank) | |
| | | Assembly (.020" Oversize) | 78 | 699205 | Screw (Flywheel Guard) | 192 | 694543 | Ball-Rocker Arm | |
| | | | | | | 209 | 692571 | Spring-Governor | |
| | | | | | | 209A | 691278 | Spring-Governor | |
| | | | | | | 219 | 693578 | Gear-Governor | |

★ Included in Engine Gasket Set-Ref. No.358.

● Included in Carburetor Overhaul Kit-Ref. No. 121.

◆ Included in Carburetor Gasket Set-Ref. No. 977.

∅ Included in Valve Gasket Set-Ref. No. 1095.

Illustrations cover a range of engines. Parts shown without corresponding text may not be used on your specific engine.

12D300

| REF. NO. | PART NO. | DESCRIPTION | REF. NO. | PART NO. | DESCRIPTION | REF. NO. | PART NO. | DESCRIPTION |
|----------|----------|--|----------|----------|-------------------------------------|----------|----------|--|
| 220 | 691724 | Washer (Governor Gear) | 365 | 699484 | Screw (Carburetor) | 619 | 699230 | Screw (Cylinder Head Plate) |
| 222 | 699592 | Bracket–Control | 383 | 19374 | Wrench–Spark Plug | 621 | 692310 | Switch–Stop |
| 227 | 692573 | Lever–Governor Control | 427 | 694255 | Nut (Control Bracket) | 632 | 692653 | Spring/Link– Mechanical Governor |
| 238 | 691300 | Cap–Valve | 441 | 694262 | Bracket–Oil Fill | 633 | ◆◆693867 | Seal–Choke/Throttle Shaft (Choke) |
| 268 | 691072 | Control Wire Casing (Cut to Required Length) | 449 | 699629 | Screw (Oil Fill Bracket) | 633A | ◆◆691321 | Seal–Choke/Throttle Shaft (Throttle) |
| 269 | 691589 | Control Wire (Cut to Required Length) | 455 | 692591 | Cup–Flywheel | 635A | 692927 | Boot–Sparkplug |
| 270 | 691027 | Nut (Control Wire Casing) | 456 | 692299 | Plate–Pawl Friction | 663 | 699854 | Screw (Control Panel) |
| 271 | 691028 | Lever–Control | 459 | 281505 | Pawl–Ratchet | 668 | 694257 | Spacer |
| 271A | 698038 | Lever–Control | 472 | 696691 | Knob–Choke Shaft | 689 | 691855 | Spring–Friction |
| 276 | ◆◆271716 | Washer–Sealing | 485 | 695755 | Knob–Control | 692 | 690572 | Spring–Detent (Choke) |
| 281A | 696684 | Panel–Control | 493A | 695744 | Bracket–Mounting | 718 | 690959 | Pin–Locating |
| 300 | 699511 | Muffler | 504 | 694254 | Washer Set–Friction | 731 | 696690 | Hood–Snow |
| 304 | 699598 | Housing–Blower | 505 | 691251 | Nut (Governor Control Lever) | 741 | 695087 | Gear–Timing |
| 305 | 699480 | Screw (Blower Housing) | 523 | 693618 | Dipstick | 742 | 692564 | Retainer–E Ring |
| 306A | 695710 | Shield–Cylinder | 524 | 281370 | Seal–Dipstick Tube | 746 | 692566 | Gear–Idler |
| 307 | 699483 | Screw (Cylinder Shield) | 528 | 695746 | Hose–Primer | 773 | 694258 | Retainer |
| 307A | 699234 | Screw (Cylinder Shield) | 552 | 692346 | Bushing–Governor Crank | 819 | 699233 | Screw (Muffler Bracket) |
| 309A | 696818 | Motor–Starter | 562 | 691119 | Bolt (Governor Control Lever) | 823 | 699209 | Screw (Muffler Adapter) |
| 318 | 690370 | Screw (Mounting Bracket) | 597 | 691696 | Screw (Pawl Friction Plate) | 824 | 696017 | Gasket–Heat Shield |
| 332 | 699359 | Nut (Flywheel) | 598 | 220624 | Shim–End Play | 830 | 694544 | Stud (Rocker Arm) |
| 333 | 695711 | Armature–Magneto | 601 | 95162 | Clamp–Hose | 842 | 691031 | Seal–O Ring (Dipstick Tube) |
| 334 | 699477 | Screw (Magneto Armature) | 604A | 695749 | Cover–Control | 847 | 693617 | Dipstick/Tube Assembly |
| 337 | 491055 | Spark–Plug | 608A | 699335 | Starter–Rewind | 851 | 493880 | Terminal–Spark Plug |
| 356K | 695731 | Wire–Stop | 613 | 697812 | Screw (Muffler) | 863 | 699849 | Bracket–Muffler |
| 358 | 699638 | Set–Engine Gasket | 613A | 699230 | Screw (Muffler) | 864 | 699232 | Adapter–Muffler |
| 363 | 19069 | Puller–Flywheel | 615 | 692576 | Retainer–Governor Shaft | | | |
| | | | 616 | 692547 | Crank–Governor | | | |

★ Included in Engine Gasket Set–Ref. No.358.

● Included in Carburetor Overhaul Kit–Ref. No. 121.

◆ Included in Carburetor Gasket Set–Ref. No. 977.

∅ Included in Valve Gasket Set–Ref. No 1095.

Illustrations cover a range of engines. Parts shown without corresponding text may not be used on your specific engine.

5723–8

Assemblies include all parts shown in frames.

10/20/2004

| REF. NO. | PART NO. | DESCRIPTION | REF. NO. | PART NO. | DESCRIPTION | REF. NO. | PART NO. | DESCRIPTION |
|----------|----------|-------------------------------|----------|----------|--|----------|----------|---------------------------------|
| 868 | ★Ø692044 | Seal-Valve | 990 | 695756 | Key-Set | 1058 | 275697 | Owner's Manual |
| 883 | ★692237 | Gasket-Exhaust | 993 | ★Ø694088 | Gasket-Cylinder Head Plate | 1070 | 699201 | Screw (Flywheel Fan) |
| 883A | ★691893 | Gasket-Exhaust | 1005 | 692592 | Fan-Flywheel | 1095 | 698215 | Gasket Set-Valve |
| 892 | 695747 | Switch-Key | 1019 | 695751 | Kit-Label | 1196 | 696692 | Screw (Snow Hood) |
| 914 | 699481 | Screw (Rocker Cover) (Bottom) | 1022 | ★Ø691890 | Gasket-Rocker Cover | | | (Carburetor) |
| 914A | 692557 | Screw (Rocker Cover) (Top) | 1023 | 499924 | Cover-Rocker Arm | 1196A | 696685 | Screw (Snow Hood) (Muffler) |
| 914B | 697551 | Screw (Rocker Cover) (Center) | 1026 | 790287 | Rod-Push | 1210 | 498144 | Pulley/Spring Assembly (Pulley) |
| 930 | 696709 | Guard-Rewind | 1029 | 691230 | Arm-Rocker | 1211 | 498144 | Pulley/Spring Assembly (Spring) |
| 957 | 695737 | Cap-Fuel Tank | 1034 | 691343 | Guide-Push Rod | 1224 | 696824 | Nut (Carburetor Primer) |
| 958 | 698180 | Valve-Fuel Shut Off | 1036 | 790634 | Label-Emission (Used After Code Date 04063000). | 1230 | 699847 | Screw (Control Bracket) |
| 972 | 695728 | Tank-Fuel | | | Note _____ | 1251 | 696699 | Shield-Snow |
| 975 | 493640 | Bowl-Float | | | 699946 Label-Emission (Used Before Code Date 04070100 and After Code Date 03093000). | 1252 | 699234 | Screw (Snow Shield) |
| 976 | 790221 | Primer-Carburetor (Snap Fit) | | | 697004 Label-Emission (Used Before Code Date 03100100). | 1330 | 272147 | Repair Manual |
| | | Note _____ | | | | | | |
| | | 695750 Primer-Carburetor | | | | | | |
| 977 | 697001 | Gasket Set-Carburetor | | | | | | |

★ Included in Engine Gasket Set-Ref. No.358.

● Included in Carburetor Overhaul Kit-Ref. No. 121.

◆ Included in Carburetor Gasket Set-Ref. No. 977.

Ø Included in Valve Gasket Set-Ref. No 1095.

Illustrations cover a range of engines. Parts shown without corresponding text may not be used on your specific engine.