



123H00

Illustrated Parts List

Model Series

123H00

TYPE NUMBERS
0100 through 0111.

TABLE OF CONTENTS

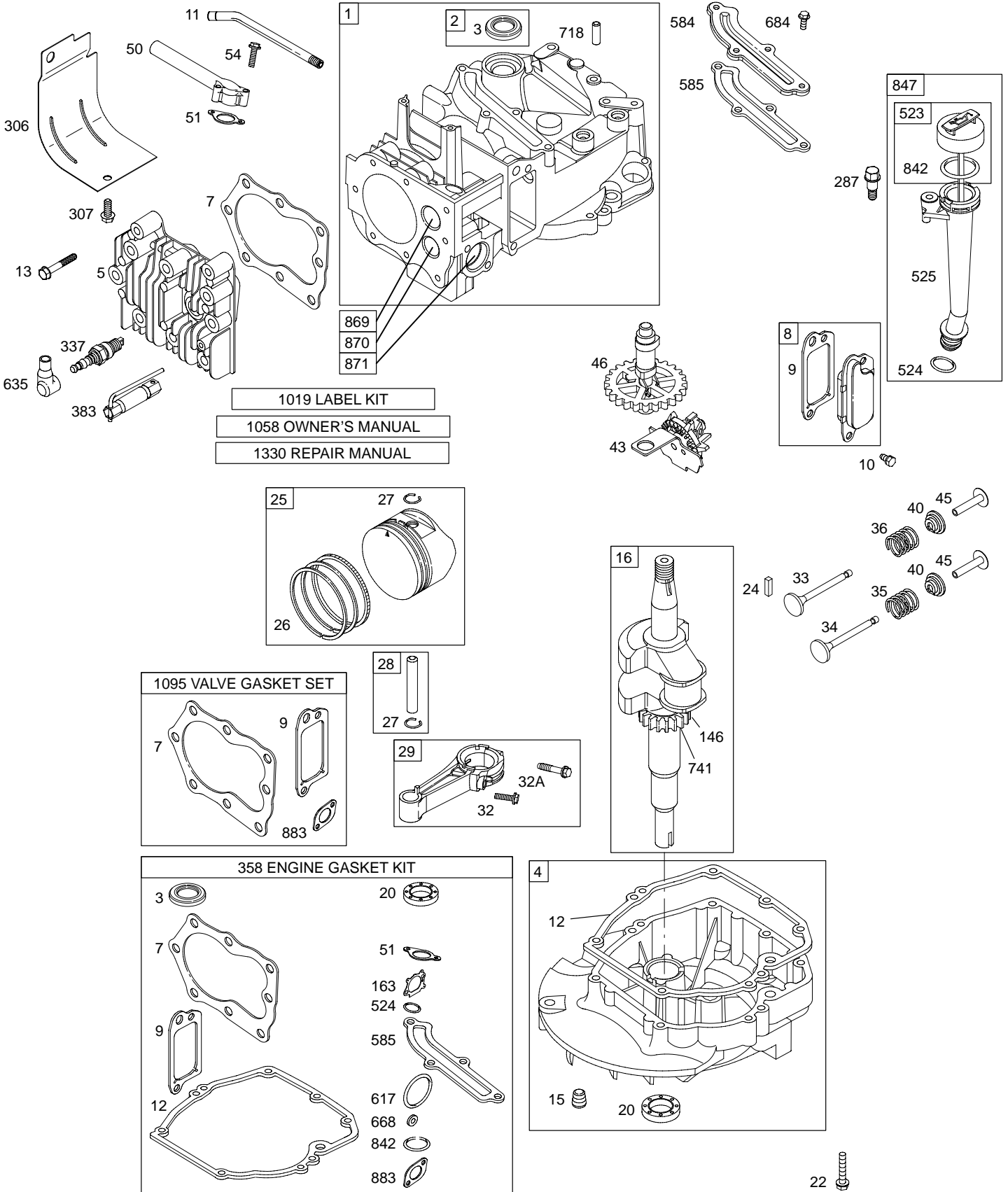
Alternator	6
Air Cleaner	4
Blower Housing/Shrouds	5
Camshaft	2
Carburetor	3
Controls	4
Crankshaft	2
Cylinder	2
Electric Starter	6
Electrical	6
Engine Sump	2
Exhaust System	4
Flywheel	5
Flywheel Brake	6
Fuel Supply	3
Governor Spring	4
Ignition	6
Kits/Gaskets	2 & 3
Lubrication	2
Piston Group	2
Rewind Starter	5
Valves	2



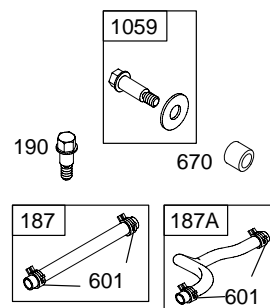
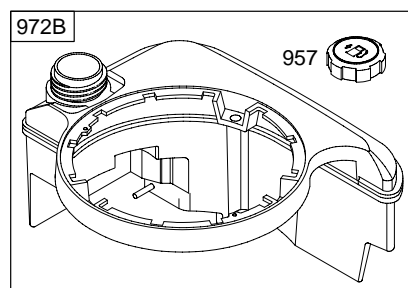
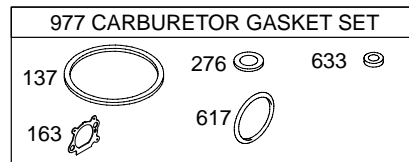
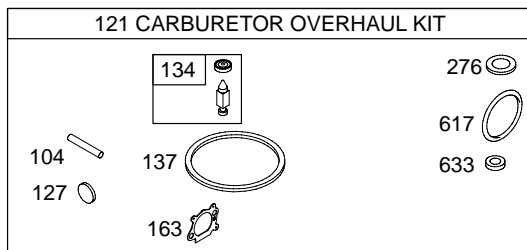
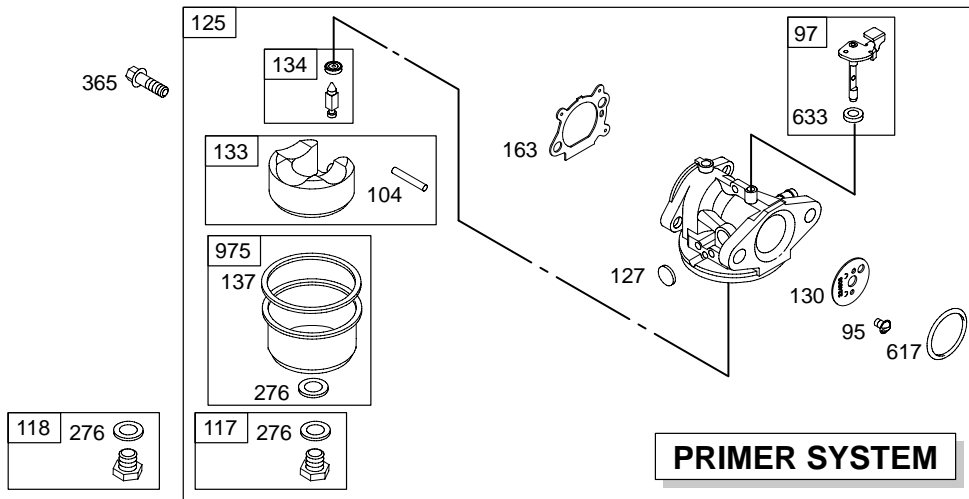
PRINTED IN U.S.A.

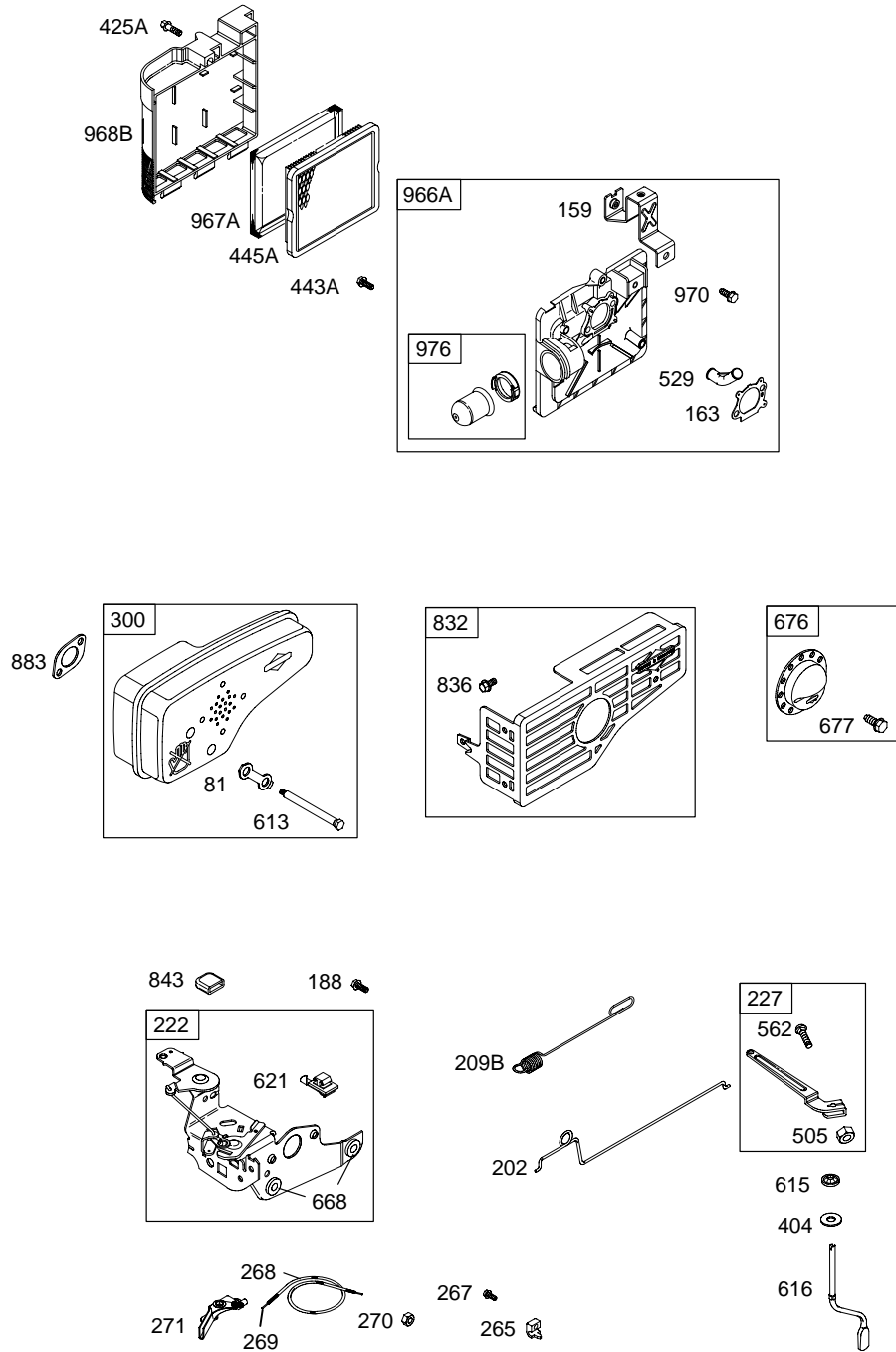
COPYRIGHT by BRIGGS & STRATTON CORPORATION
All rights reserved. No part of this material may be reproduced or transmitted, in any form or by any means, electronic or mechanical, including photocopying, recording or by any information storage and retrieval system, without permission in writing from Briggs & Stratton Corporation.

123H00

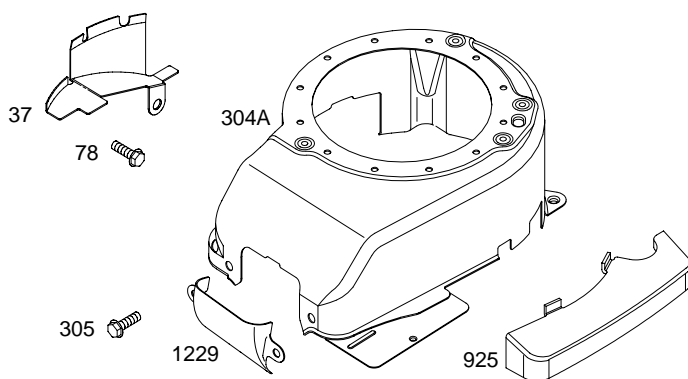
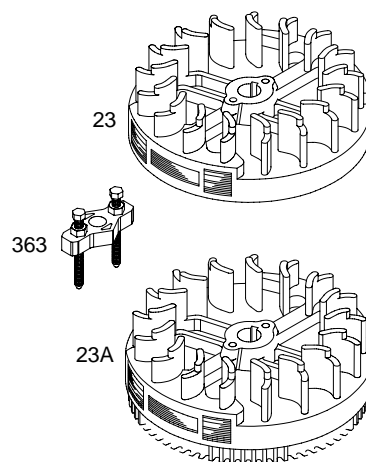
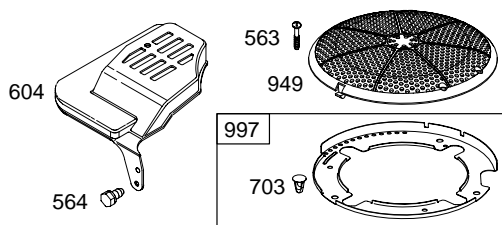
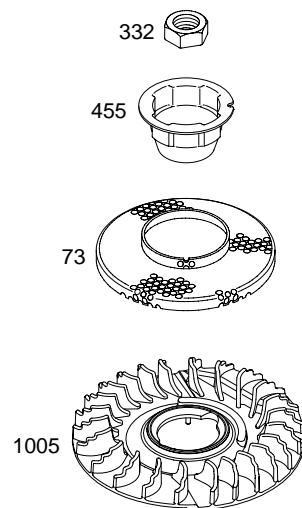
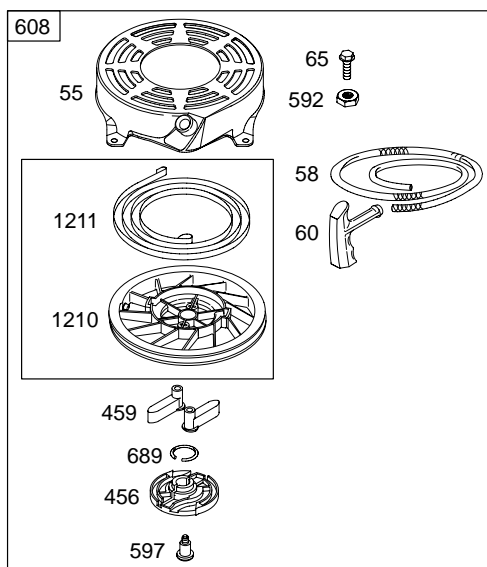


Illustrations cover a range of engines. Parts shown without corresponding text may not be used on your specific engine.
 6733-2 Assemblies include all parts shown in frames. 09/29/2004



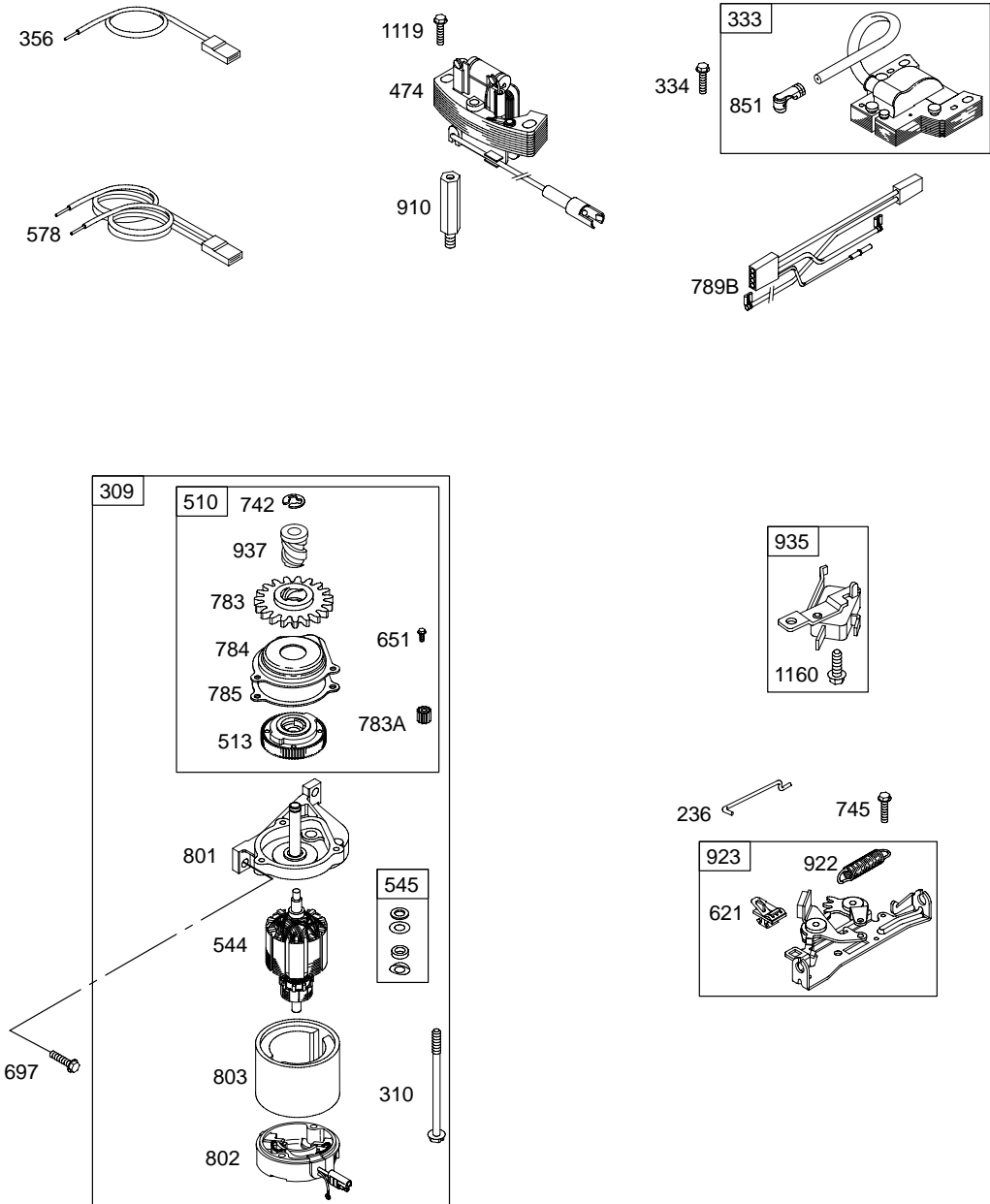


Illustrations cover a range of engines. Parts shown without corresponding text may not be used on your specific engine.
6733-4 Assemblies include all parts shown in frames. **09/29/2004**



1036 EMISSION LABEL

123H00



Illustrations cover a range of engines. Parts shown without corresponding text may not be used on your specific engine.
6733-6 Assemblies include all parts shown in frames. 09/29/2004

REF. NO.	PART NO.	DESCRIPTION	REF. NO.	PART NO.	DESCRIPTION	REF. NO.	PART NO.	DESCRIPTION	
1	697324	Cylinder Assembly	25	790358	Piston Assembly (Standard) (Used After Code Date 04031400).	32	691664	Screw (Connecting Rod)	
2	399269	Kit-Bushing/Seal (Magneto Side)				32A	695759	Screw (Connecting Rod)	
3	★299819	Seal-Oil (Magneto Side)			———— Note ————	33	262651	Valve-Exhaust	
4	493279	Sump-Engine			499433	34	262652	Valve-Intake	
5	691160	Head-Cylinder			Assembly (Standard) (Used Before Code Date 04031500).	35	691270	Spring-Valve (Intake)	
7	★Ø692249	Gasket-Cylinder Head			499434	36	691270	Spring-Valve (Exhaust)	
8	695250	Breather Assembly			Assembly (.010" Oversize)	37	694086	Guard-Flywheel	
9	★Ø272481	Gasket-Breather			499435	40	692194	Retainer-Valve	
10	691125	Screw (Breather Assembly)			Assembly (.020" Oversize)	43	691997	Slinger-Governor/Oil	
11	691781	Tube-Breather			499436	45	690548	Tappet-Valve	
12	★692232	Gasket-Crankcase			Assembly (.030" Oversize)	46	691449	Camshaft	
13	690912	Screw (Cylinder Head)			26	50	497465	Manifold-Intake	
15	691680	Plug-Oil Drain (Square Socket)			26	51	★272199	Gasket-Intake	
16	691451	Crankshaft			Ring Set (Standard) (Used After Code Date 04031400).	54	691650	Screw (Intake Manifold)	
20	★399781	Seal-Oil (PTO Side)			———— Note ————	55	691421	Housing-Rewind Starter	
22	691092	Screw (Crankcase Cover/Sump)			499425	58	697613	Rope-Starter (Cut To Required Length)	
23	692315	Flywheel (Rewind Start) Used on Type No(s) 0110.			Ring Set (Standard) (Used Before Code Date 04031500).	60	281434	Grip-Starter Rope	
23A	691992	Flywheel (Electric Start) Used on Type No(s) 0100, 0105.			499426	65	690837	Screw (Rewind Starter)	
		———— Note ————			Ring Set (.010" Oversize)	73	691222	Screen-Rotating	
		691987			499427	78	691108	Screw (Flywheel Guard)	
		Flywheel (Electric Start) Used on Type No(s) 0111, 0112.			Ring Set (.020" Oversize)	81	691740	Lock-Muffler Screw	
24	222698	Key-Flywheel			499428	95	691636	Screw (Throttle Valve)	
					Lock-Piston Pin	97	493267	Shaft-Throttle (Metal)	
					27			———— Note ————	
					28	691866		696565	Shaft-Throttle (Plastic)
					29	499423			
						499424			
						Rod-Connecting (Standard)			

★ Included in Engine Gasket Set-Ref. No.358.

● Included in Carburetor Overhaul Kit-Ref. No. 121.

◆ Included in Carburetor Gasket Set-Ref. No. 977.

Ø Included in Valve Gasket Set-Ref. No 1095.

Illustrations cover a range of engines. Parts shown without corresponding text may not be used on your specific engine.

123H00

REF. NO.	PART NO.	DESCRIPTION	REF. NO.	PART NO.	DESCRIPTION	REF. NO.	PART NO.	DESCRIPTION
104	●691242	Pin-Float Hinge	187	691050	Line-Fuel (Cut to Required Length)	270	691027	Nut (Control Wire Casing)
117	494870	Jet-Main (Standard) (Used After Code Date 02092900).	187A	691371	Line-Fuel (Molded)	271	691028	Lever-Control
		Note _____	188	690877	Screw (Control Bracket)	276	◆271716	Washer-Sealing
		498975 Jet-Main (Standard) (Used Before Code Date 02093000).	190	690940	Screw (Fuel Tank)	287	690940	Screw (Dipstick Tube)
118	497315	Jet-Main (High Altitude) (Used After Code Date 02092900).	202	691829	Link-Mechanical Governor	300	496106	Muffler (Tuned)
		Note _____	209B	699056	Spring-Governor Used on Type No(s). 0110, 0111, 0112.	304A	696307	Housing-Blower Note _____
		496495 Jet-Main (High Altitude) (Used Before Code Date 02093000).			Note _____			696419 Housing-Blower Used on Type No(s). 0110, 0111, 0112.
121	498260	Kit-Carburetor Overhaul			691292 Spring-Governor Used on Type No(s). 0105	305	691108	Screw (Blower Housing)
125	698444	Carburetor			691291 Spring-Governor Used on Type No(s). 0100.	306	690450	Shield-Cylinder
127	●694468	Plug-Welch (3/8" Diameter)	222	692031	Bracket-Control (Remote/Manual Friction)(Primer)	307	690345	Screw (Cylinder Shield)
130	691203	Valve-Throttle Note _____	227	690783	Lever-Governor Control	309	695550	Motor-Starter
		696564 Valve-Throttle (Used With Plastic Throttle Shaft)	236	691826	Link-Lockout	310	692327	Bolt (Starter Motor)
133	398187	Float-Carburetor	265	690798	Clamp-Casing	332	690662	Nut (Flywheel)
134	●398188	Kit-Needle/Seat	267	691044	Screw (Casing Clamp)	333	802574	Armature-Magneto
137	◆693981	Gasket-Float Bowl	268	691025	Casing-Control Wire (Cut to Required Length)	334	691061	Screw (Magneto Armature)
146	690979	Key-Timing	269	691026	Wire-Control (Cut to Required Length)	337	802592	Plug-Spark
159	691753	Bracket-Air Cleaner Primer				356	692390	Wire-Stop
163	◆272653	Gasket-Air Cleaner				358	497316	Gasket Set-Engine
						363	19069	Puller-Flywheel
						365	692524	Screw (Carburetor)
						383	89838	Wrench-Spark Plug
						404	690272	Washer (Governor Crank)

★ Included in Engine Gasket Set-Ref. No.358.

● Included in Carburetor Overhaul Kit-Ref. No. 121.

◆ Included in Carburetor Gasket Set-Ref. No. 977.

⊘ Included in Valve Gasket Set-Ref. No 1095.

Illustrations cover a range of engines. Parts shown without corresponding text may not be used on your specific engine.

6733-8

Assemblies include all parts shown in frames.

09/29/2004

REF. NO.	PART NO.	DESCRIPTION	REF. NO.	PART NO.	DESCRIPTION	REF. NO.	PART NO.	DESCRIPTION
425A	690670	Screw (Air Cleaner Cover)	601	95162	Clamp-Hose	745	691648	Screw (Brake)
443A	692523	Screw (Air Cleaner Primer Base)	604	691757	Cover-Control	783	691918	Gear-Pinion (Starter Drive) (19 Teeth)
445A	491588	Filter-Air Cleaner Cartridge	608	497680	Starter-Rewind	783A	691269	Gear-Pinion (12 Teeth)
455	695161	Cup-Flywheel	613	691340	Screw (Muffler)	784	692341	Cover-Starter Gear
456	692299	Plate-Pawl Friction	615	690340	Retainer-Governor Shaft	785	692352	Gasket-Starter Cover
459	281505	Plate-Ratchet	616	698801	Crank-Governor	789B	696547	Wire Assembly
474	691991	Alternator	617★◆	270344	Seal-O Ring (Intake Manifold)	801	690782	Cap-Drive
505	691251	Nut (Governor Control Lever)	621	692310	Switch-Stop	802	695267	Cap-End
510	494147	Drive-Starter	633◆◆	691321	Seal-Choke/Throttle Shaft	803	695266	Housing-Starter
513	692358	Clutch-Drive	635	66538	Boot-Spark Plug	832	499034	Guard-Muffler
523	495264	Dipstick	651	690345	Screw (Starter Gear Cover)	836	690664	Screw (Muffler Guard)
524	★692296	Seal-Dipstick Tube	668	★493823	Spacer (Includes 2)	842	★691031	Seal-O Ring (Dipstick Tube)
525	495265	Tube-Dipstick	670	692294	Spacer-Fuel Tank	843	691884	Sleeve-Lever (Control Bracket)
529	691923	Grommet	676	396548	Deflector-Muffler (Louvered)	847	692017	Dipstick/Tube Assembly
544	690786	Armature-Starter	677	690661	Screw (Muffler Deflector)	851	493880	Terminal-Spark Plug
545	492919	Washer Set (Starter Motor)	684	690345	Screw (Breather Passage Cover)	869	691155	Seat-Valve (Intake)
562	92613	Bolt (Governor Control Lever)	689	691855	Spring-Friction	870	690380	Seat-Valve (Exhaust)
563	691138	Screw (Debris Guard Screen)	697	691127	Screw (Drive Cap)	871	262001	Bushing-Valve Guide (Exhaust)
564	690664	Screw (Control Cover)	703	696309	Clip	————— Note —————		
578	398153	Harness-Wiring	718	690959	Pin-Locating	63709	Bushing- Valve Guide (Intake)	
584	697734	Cover-Breather Passage	741	790345	Gear-Timing (Use Without Woodruff Key)	883	★∅691881	Gasket-Exhaust
585	★691879	Gasket-Breather Passage	————— Note —————		910	691094	Stud (Alternator)	
592	690800	Nut (Rewind Starter)	691830	Gear-Timing (Uses Woodruff Key)	922	691831	Spring-Brake	
597	691696	Screw (Pawl Friction Plate)	742	93941	Retainer-E Ring	923	691994	Brake

★ Included in Engine Gasket Set-Ref. No.358.

● Included in Carburetor Overhaul Kit-Ref. No. 121.

◆ Included in Carburetor Gasket Set-Ref. No. 977.

∅ Included in Valve Gasket Set-Ref. No 1095.

Illustrations cover a range of engines. Parts shown without corresponding text may not be used on your specific engine.

123H00

REF. NO.	PART NO.	DESCRIPTION	REF. NO.	PART NO.	DESCRIPTION	REF. NO.	PART NO.	DESCRIPTION
925	690595	Cover-Linkage	1019	696438	Kit-Label	1058	275177	Manual-Owner's
935	499421	Switch-Interlock	1036	790412	Label-Emission	1059	692311	Kit-Screw/Washer
937	691325	Spline-Starter			(Used After Code Date	1095	498528	Gasket Set-Valve
949	696306	Guard-Debris Screen			04063000).	1119	691648	Screw
957	397974	Cap-Fuel Tank (Plastic)			Note			(Alternator)
966A	496116	Base-Air Cleaner Primer			695111 Label-	1160	691627	Screw
967A	493537	Filter-Pre Cleaner			Emission			(Interlock Switch)
968B	692298	Cover-Air Cleaner			(Used Before Code	1210	498144	Pulley/Spring
970	691681	Screw (Air Cleaner Primer Bracket)			Date 04070100).			Assembly
972B	693377	Tank-Fuel (Plastic)			790413 Label-	1211	498144	Pulley/Spring
975	493640	Bowl-Float			Emission			Assembly
976	694395	Primer-Carburetor			(Used On Engines	1229	696308	Extension-Blower
977	498261	Gasket Set-Carburetor			With D1 Trim)			Housing
997	696310	Shield-Debris			(Used After Code Date	1330	270962	Manual-Repair
1005	691346	Fan-Flywheel			04063000).			
					697378 Label-			
					Emission			
					(Used On Engines			
					With D1 Trim)			

★ Included in Engine Gasket Set-Ref. No.358.

● Included in Carburetor Overhaul Kit-Ref. No. 121.

◆ Included in Carburetor Gasket Set-Ref. No. 977.

∅ Included in Valve Gasket Set-Ref. No 1095.

Illustrations cover a range of engines. Parts shown without corresponding text may not be used on your specific engine.

6733-10

Assemblies include all parts shown in frames.

09/29/2004