



124H00

Illustrated Parts List Model Series 124H00

TYPE NUMBERS
0100 through 0111.

TABLE OF CONTENTS

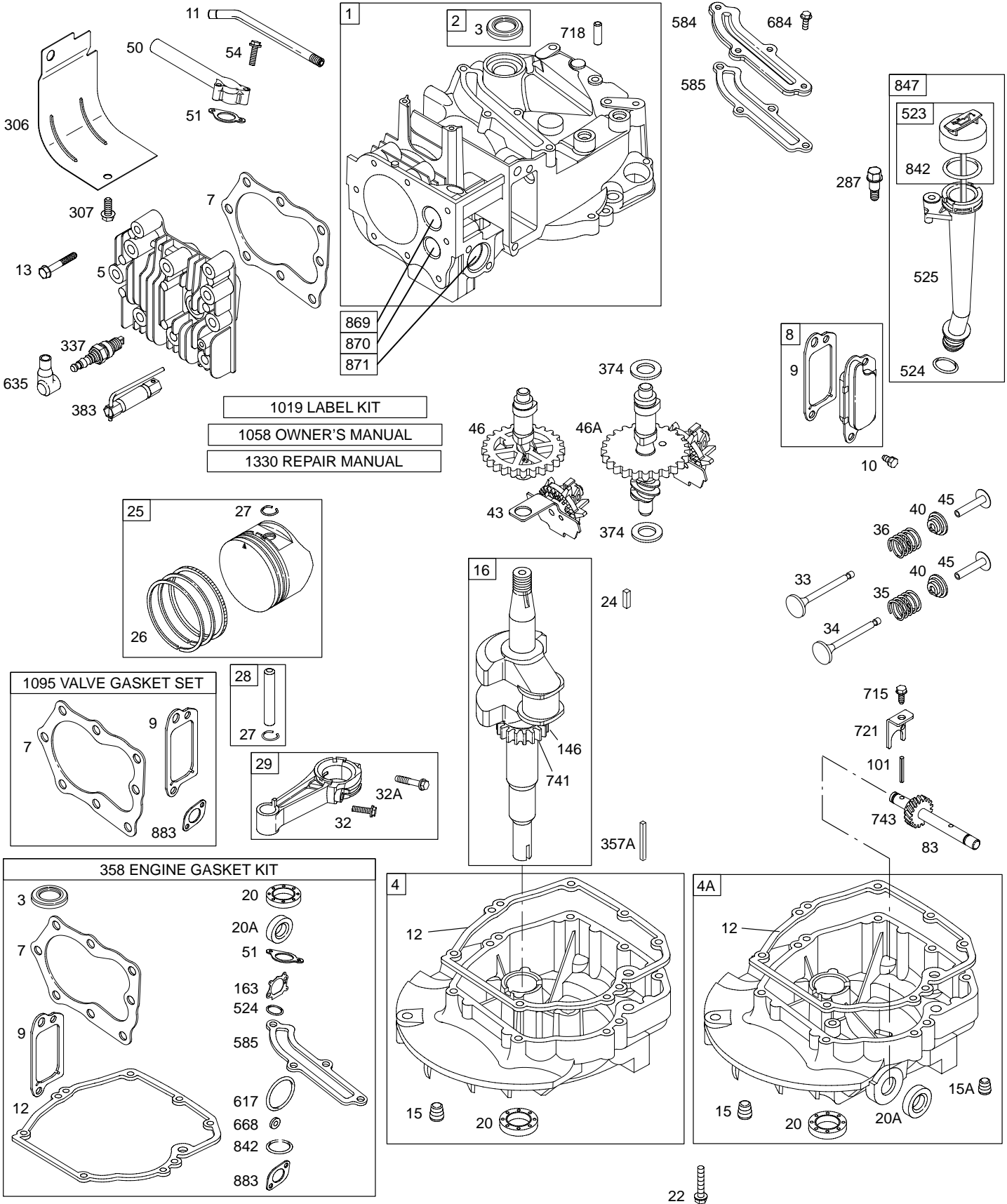
Air Cleaner	4
Blower Housing/Shrouds	5
Camshaft	2
Carburetor	3
Controls	4
Crankshaft	2
Cylinder	2
Electrical	4
Engine Sump	2
Exhaust System	4
Flywheel	5
Flywheel Brake	4
Fuel Supply	3
Governor Spring	4
Ignition	4
Kits/Gaskets	2 & 3
Lubrication	2
Piston Group	2
Rewind Starter	7
Valves	2



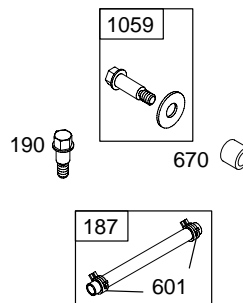
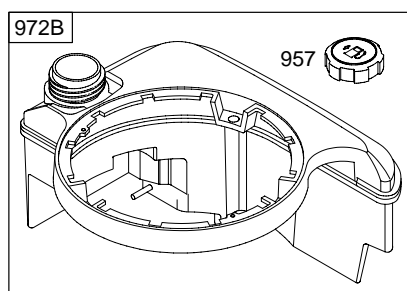
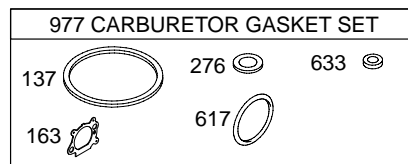
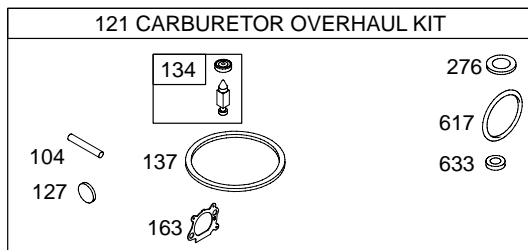
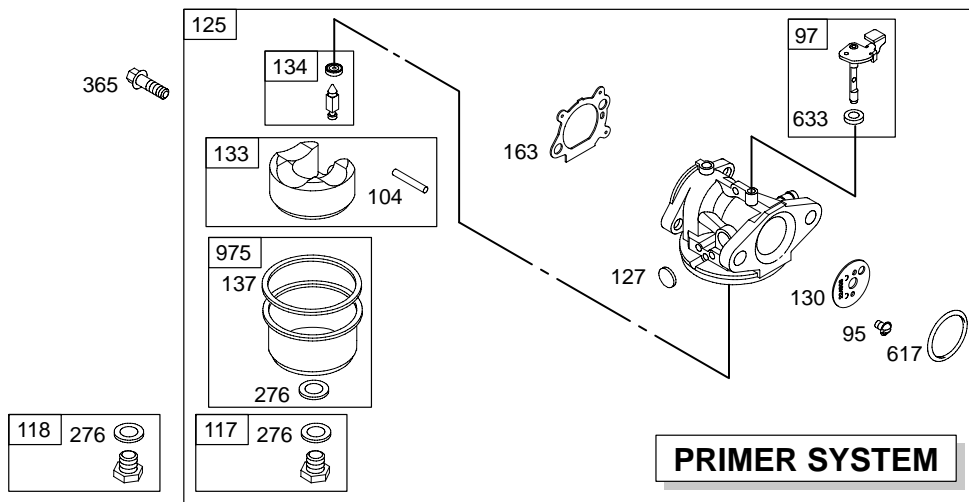
PRINTED IN U.S.A.

COPYRIGHT by BRIGGS & STRATTON CORPORATION
All rights reserved. No part of this material may be reproduced or transmitted, in any form or by any means, electronic or mechanical, including photocopying, recording or by any information storage and retrieval system, without permission in writing from Briggs & Stratton Corporation.

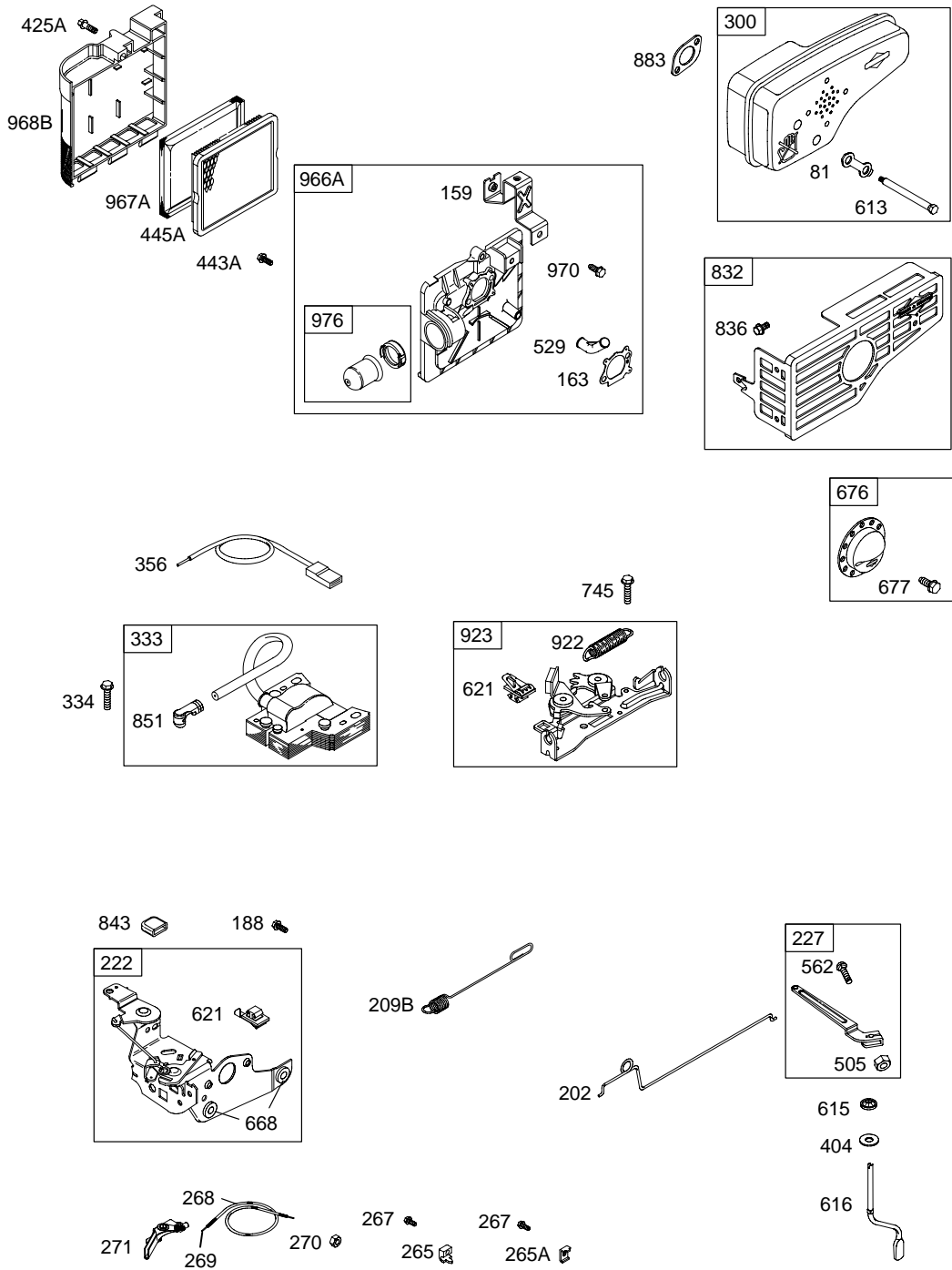
124H00



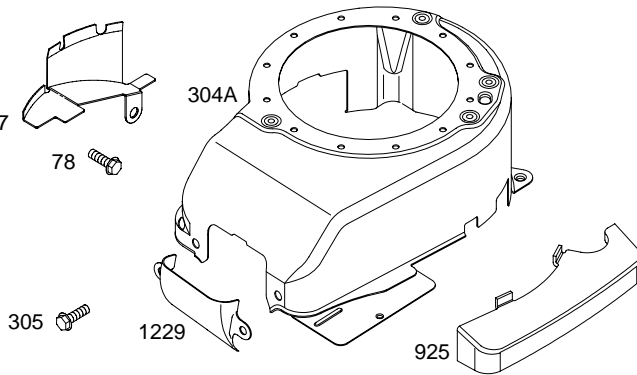
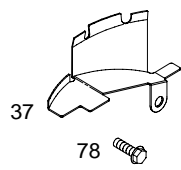
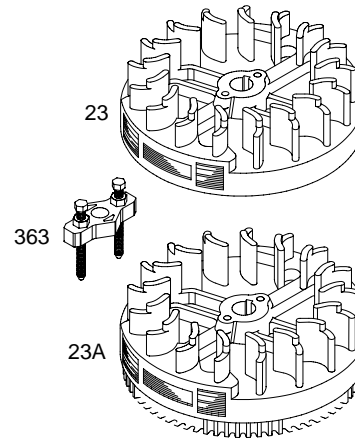
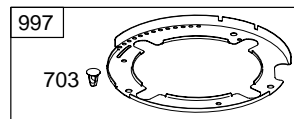
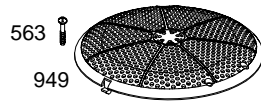
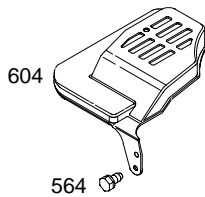
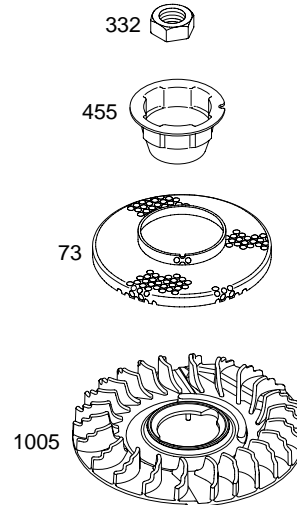
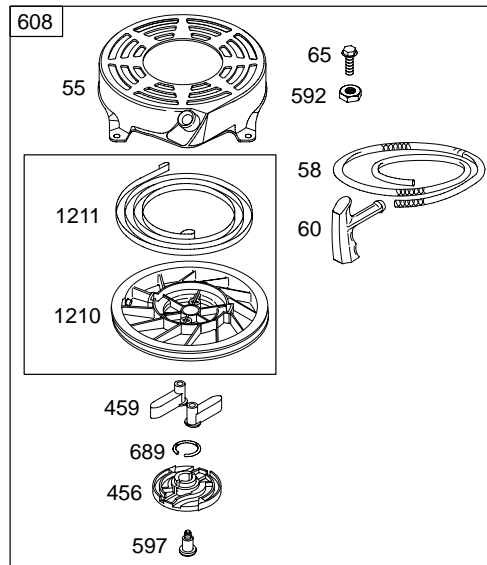
Illustrations cover a range of engines. Parts shown without corresponding text may not be used on your specific engine.
6735-2 Assemblies include all parts shown in frames. 09/29/2004



Illustrations cover a range of engines. Parts shown without corresponding text may not be used on your specific engine.
 6735-3 Assemblies include all parts shown in frames. 09/29/2004



Illustrations cover a range of engines. Parts shown without corresponding text may not be used on your specific engine.
6735-4 Assemblies include all parts shown in frames. **09/29/2004**



1036 EMISSION LABEL

124H00

REF. NO.	PART NO.	DESCRIPTION	REF. NO.	PART NO.	DESCRIPTION	REF. NO.	PART NO.	DESCRIPTION
1	697324	Cylinder Assembly	24	222698	Key–Flywheel	32	691664	Screw
2	399269	Kit–Bushing/Seal (Magneto Side)	25	790358	Piston Assembly (Standard)			(Connecting Rod)
3	★299819	Seal–Oil (Magneto Side)			(Used After Code Date 04031400).	32A	695759	Screw
4	493279	Sump–Engine			Note			(Connecting Rod)
4A	493365	Sump–Engine (Auxiliary PTO)			499433 Piston Assembly (Standard)	33	262651	Valve–Exhaust
5	691160	Head–Cylinder			(Used Before Code Date 04031500).	34	262652	Valve–Intake
7	★Ø692249	Gasket–Cylinder Head			499434 Piston Assembly (.010" Oversize)	35	691270	Spring–Valve (Intake)
8	695250	Breather Assembly			499435 Piston Assembly (.020" Oversize)	36	691270	Spring–Valve (Exhaust)
9	★Ø272481	Gasket–Breather			499436 Piston Assembly (.030" Oversize)	37	694086	Guard–Flywheel
10	691125	Screw (Breather Assembly)			26 790360 Ring Set (Standard)	40	692194	Retainer–Valve
11	691781	Tube–Breather			(Used After Code Date 04031400).	43	691997	Slinger–Governor/Oil
12	★692232	Gasket–Crankcase			Note	45	690548	Tappet–Valve
13	690912	Screw (Cylinder Head)			499425 Ring Set (Standard)	46	691449	Camshaft
15	691680	Plug–Oil Drain (Square Socket)			(Used Before Code Date 04031500).	46A	691459	Camshaft (Counterclockwise)
15A	691093	Plug–Oil Drain (Hex Socket)			499426 Ring Set (.010" Oversize)	50	497465	Manifold–Intake
16	691451	Crankshaft			499427 Ring Set (.020" Oversize)	51	★272199	Gasket–Intake
		Note			499428 Ring Set (.030" Oversize)	54	691650	Screw (Intake Manifold)
		691450 Crankshaft Used on Type No(s). 0110.			27 691866 Lock–Piston Pin	55	691421	Housing–Rewind Starter
20	★399781	Seal–Oil (PTO Side)			28 499423 Pin–Piston (Standard)	58	697316	Rope–Starter (Cut To Required Length)
20A	★691952	Seal–Oil (PTO Side) (Auxiliary PTO)			29 499424 Rod–Connecting (Standard)	60	281434	Grip–Starter Rope
22	691092	Screw (Crankcase Cover/Sump)				65	690837	Screw (Rewind Starter)
23	692315	Flywheel (Rewind Start)				73	691222	Screen–Rotating
23A	691992	Flywheel (Electric Start)				78	691108	Screw (Flywheel Guard)
						81	691740	Lock–Muffler Screw
						83	691778	Shaft–Auxiliary Drive
								Note
								690522 Shaft–Auxiliary Drive Used on Type No(s). 0111.

★ Included in Engine Gasket Set–Ref. No.358.

● Included in Carburetor Overhaul Kit–Ref. No. 121.

◆ Included in Carburetor Gasket Set–Ref. No. 977.

Ø Included in Valve Gasket Set–Ref. No 1095.

Illustrations cover a range of engines. Parts shown without corresponding text may not be used on your specific engine.

REF. NO.	PART NO.	DESCRIPTION	REF. NO.	PART NO.	DESCRIPTION	REF. NO.	PART NO.	DESCRIPTION
95	691636	Screw (Throttle Valve)	146	690979	Key—Timing	300	496106	Muffler (Tuned)
97	493267	Shaft—Throttle (Metal)	159	691753	Bracket—Air Cleaner Primer	304A	696307	Housing—Blower Note _____
		Note _____ 696565 Shaft—Throttle (Plastic)	163★◆	272653	Gasket—Air Cleaner		696420	Housing— Blower Used on Type No(s). 0110, 0111.
101	691623	Pin—Shaft	187	691050	Line—Fuel (Cut to Required Length)	305	691108	Screw (Blower Housing)
104	◆691242	Pin—Float Hinge	188	690877	Screw (Control Bracket)	306	690450	Shield—Cylinder
117	494870	Jet—Main (Standard) (Used After Code Date 02092900).	190	690940	Screw (Fuel Tank)	307	690345	Screw (Cylinder Shield)
		Note _____ 498975 Jet—Main (Standard) (Used Before Code Date 02093000).	202	691829	Link—Mechanical Governor	332	690662	Nut (Flywheel)
118	497315	Jet—Main (High Altitude) (Used After Code Date 02092900).	209B	691291	Spring—Governor Note _____ 691292 Spring— Governor Used on Type No(s). 0105, 0110.	333	802574	Armature—Magneto
		Note _____ 496495 Jet—Main (High Altitude) (Used Before Code Date 02093000).	222	692031	Bracket—Control (Remote/Manual Friction)(Primer)	334	691061	Screw (Magneto Armature)
121	498260	Kit—Carburetor Overhaul	227	690783	Lever—Governor Control	337	802592	Plug—Spark (Resistor) Note _____ 697451 Plug—Spark (EMS)
125	698444	Carburetor	265	690798	Clamp—Casing	356	692390	Wire—Stop
127	◆694468	Plug—Welch (3/8" Diameter)	265A	691024	Clamp—Casing	357A	691483	Key—Drive Pulley
130	691203	Valve—Throttle Note _____ 696564 Valve—Throttle (Used With Plastic Throttle Shaft)	267	691044	Screw (Casing Clamp)	358	497316	Gasket Set—Engine
133	398187	Float—Carburetor	268	691025	Casing—Control Wire (Cut to Required Length)	363	19069	Puller—Flywheel
134	◆398188	Kit—Needle/Seat	269	691026	Wire—Control (Cut to Required Length)	365	692524	Screw (Carburetor)
137	◆◆693981	Gasket—Float Bowl	270	691027	Nut (Control Wire Casing)	374	691074	Washer (Camshaft)
			271	691028	Lever—Control	383	89838	Wrench—Spark Plug
			276	◆◆271716	Washer—Sealing	404	690272	Washer (Governor Crank)
			287	690940	Screw (Dipstick Tube)	425A	690670	Screw (Air Cleaner Cover)
						443A	692523	Screw (Air Cleaner Primer Base)

★ Included in Engine Gasket Set—Ref. No.358.

● Included in Carburetor Overhaul Kit—Ref. No. 121.

◆ Included in Carburetor Gasket Set—Ref. No. 977.

⊘ Included in Valve Gasket Set—Ref. No 1095.

Illustrations cover a range of engines. Parts shown without corresponding text may not be used on your specific engine.

124H00

REF. NO.	PART NO.	DESCRIPTION	REF. NO.	PART NO.	DESCRIPTION	REF. NO.	PART NO.	DESCRIPTION	
445A	491588	Filter—Air Cleaner Cartridge	677	690661	Screw (Muffler Deflector)	966A	496116	Base—Air Cleaner Primer	
455	695161	Cup—Flywheel	684	690345	Screw (Breather Passage Cover)	967A	493537	Filter—Pre Cleaner	
456	692299	Plate—Pawl Friction				968B	692298	Cover—Air Cleaner	
459	281505	Plate—Ratchet				970	691681	Screw (Air Cleaner Primer Bracket)	
505	691251	Nut (Governor Control Lever)	689	691855	Spring—Friction	972B	693377	Tank—Fuel (Plastic)	
523	495264	Dipstick	703	696309	Clip	975	493640	Bowl—Float	
524	★692296	Seal—Dipstick Tube	715	691147	Screw (Stop Shaft)	976	694395	Primer—Carburetor	
525	495265	Tube—Dipstick	718	690959	Pin—Locating	977	498261	Gasket Set—Carburetor	
529	691923	Grommet	721	690449	Stop—Shaft	997	696310	Shield—Debris	
562	92613	Bolt (Governor Control Lever)	741	790345	Gear—Timing (Use Without Woodruff Key)	1005	691346	Fan—Flywheel	
					————— Note —————	1019	696438	Kit—Label	
563	691138	Screw (Debris Guard Screen)			691830	Gear—Timing (Uses Woodruff Key)	1036	790412	Label—Emission (Used After Code Date 04063000).
564	690664	Screw (Control Cover)	743	691772	Gear—Drive			————— Note —————	
584	697734	Cover—Breather Passage	745	691648	Screw (Brake)			695111	Label—Emission (Used Before Code Date 04070100).
585	★691879	Gasket—Breather Passage	832	499034	Guard—Muffler			790413	Label—Emission (Used On Engines With D1 Trim) (Used After Code Date 04063000).
592	690800	Nut (Rewind Starter)	836	690664	Screw (Muffler Guard)				
597	691696	Screw (Pawl Friction Plate)	842	★691031	Seal—O Ring (Dipstick Tube)				
601	95162	Clamp—Hose (Green)	843	691884	Sleeve—Lever (Control Bracket)				
604	691757	Cover—Control	847	692017	Dipstick/Tube Assembly				
608	497680	Starter—Rewind	851	493880	Terminal—Spark Plug				
613	691340	Screw (Muffler)	869	691155	Seat—Valve (Intake)				
615	690340	Retainer—Governor Shaft	870	690380	Seat—Valve (Exhaust)				
616	698801	Crank—Governor	871	262001	Bushing—Valve Guide (Exhaust)				
617★●◆	270344	Seal—O Ring (Intake Manifold)			————— Note —————	1058	275177	Manual—Owner's	
621	692310	Switch—Stop			63709	Bushing—Valve Guide (Intake)	1059	692311	Kit—Screw/Washer
633●◆	691321	Seal—Choke/Throttle Shaft	883★∅	691881	Gasket—Exhaust	1095	498528	Gasket Set—Valve	
635	66538	Boot—Spark Plug	922	692135	Spring—Brake	1210	498144	Pulley/Spring Assembly (Pulley)	
668	★493823	Spacer	923	695891	Brake	1211	498144	Pulley/Spring Assembly (Spring)	
670	692294	Spacer—Fuel Tank	925	690595	Cover—Linkage	1229	696308	Extension—Blower Housing	
676	396548	Deflector—Muffler (Single Louver)	949	696306	Guard—Debris Screen	1330	270962	Manual—Repair	
			957	397974	Cap—Fuel Tank (Plastic)				

★ Included in Engine Gasket Set—Ref. No.358.

● Included in Carburetor Overhaul Kit—Ref. No. 121.

◆ Included in Carburetor Gasket Set—Ref. No. 977.

∅ Included in Valve Gasket Set—Ref. No 1095.

Illustrations cover a range of engines. Parts shown without corresponding text may not be used on your specific engine.

6735-8

Assemblies include all parts shown in frames.

09/29/2004