



124K00

Illustrated Parts List

Model Series

124K00

TYPE NUMBERS
0110 through 0155.

TABLE OF CONTENTS

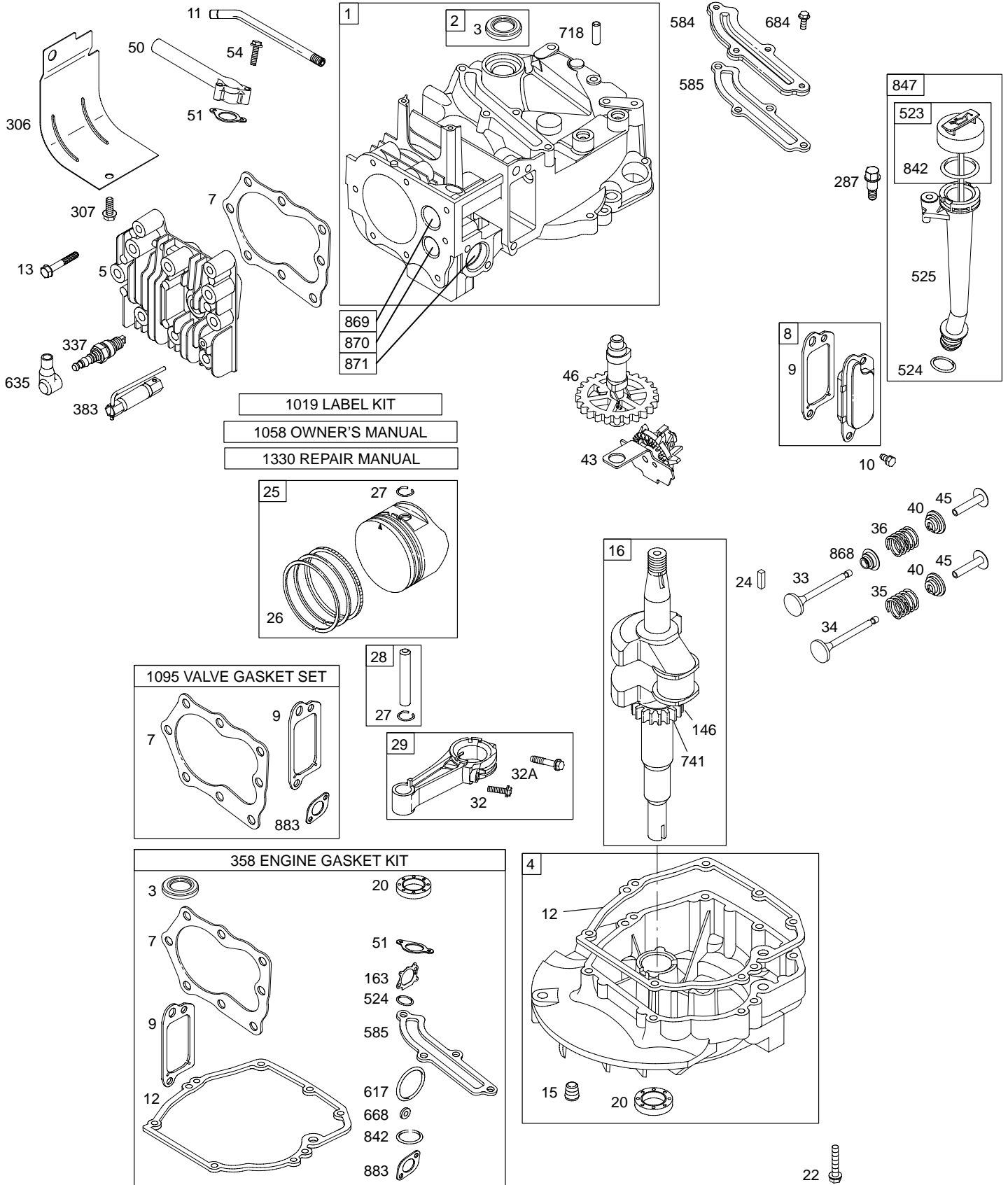
Air Cleaner	4
Blower Housing/Shrouds	5
Camshaft	2
Carburetor	3
Controls	4
Crankshaft	2
Cylinder	2
Electrical	4
Engine Sump	2
Exhaust System	4
Flywheel	5
Flywheel Brake	4
Fuel Supply	3
Governor Spring	4
Ignition	4
Kits/Gaskets	2 & 3
Lubrication	2
Piston Group	2
Rewind Starter	5
Valves	2



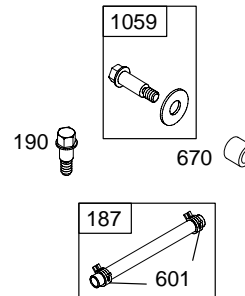
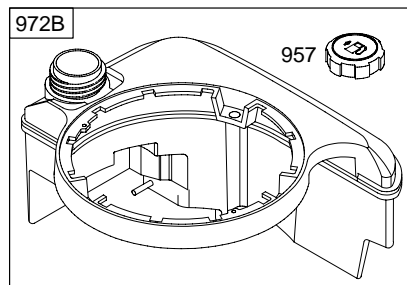
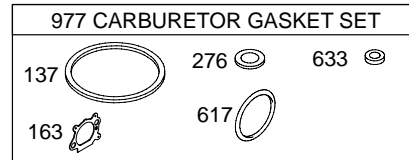
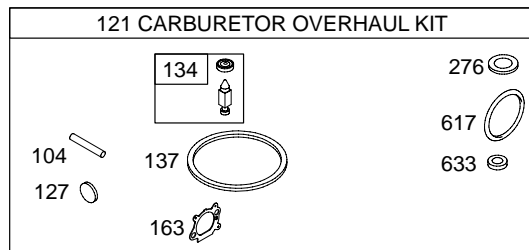
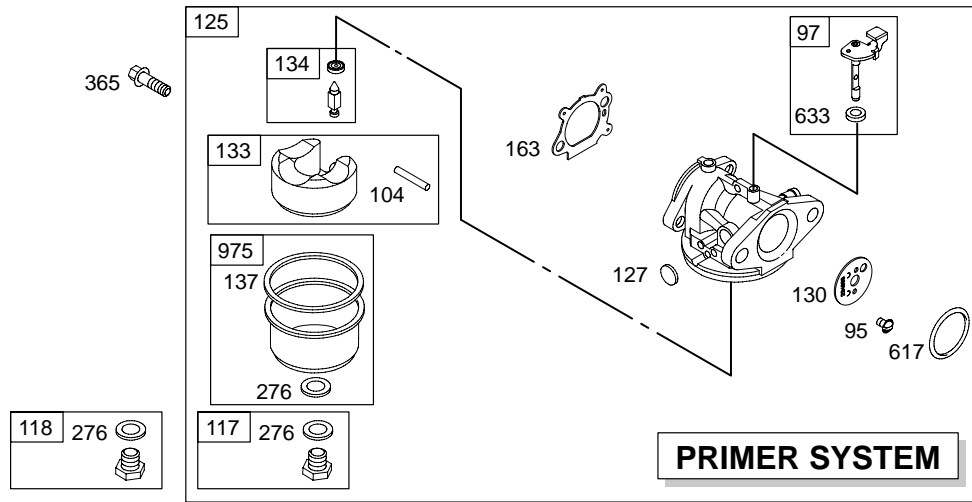
PRINTED IN U.S.A.

COPYRIGHT by BRIGGS & STRATTON CORPORATION
All rights reserved. No part of this material may be reproduced or transmitted, in any form or by any means, electronic or mechanical, including photocopying, recording or by any information storage and retrieval system, without permission in writing from Briggs & Stratton Corporation.

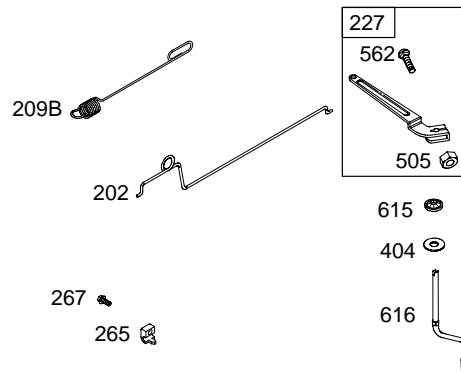
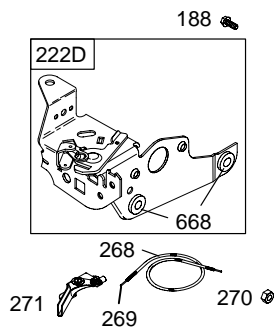
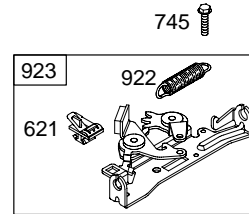
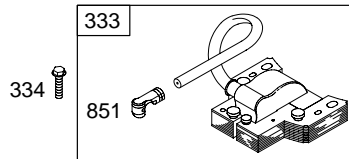
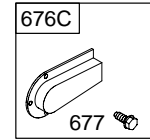
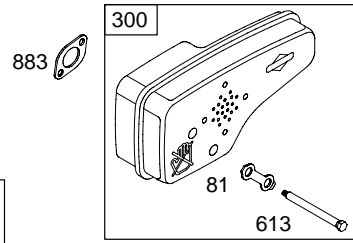
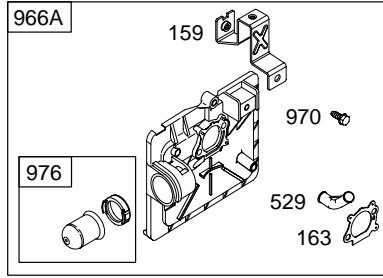
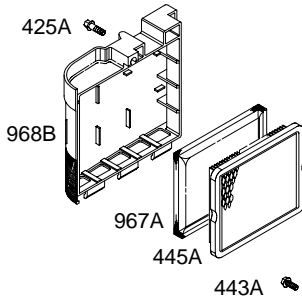
124K00



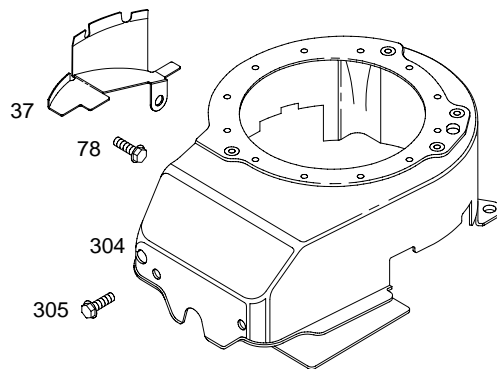
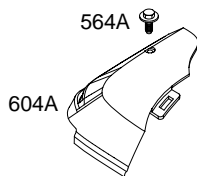
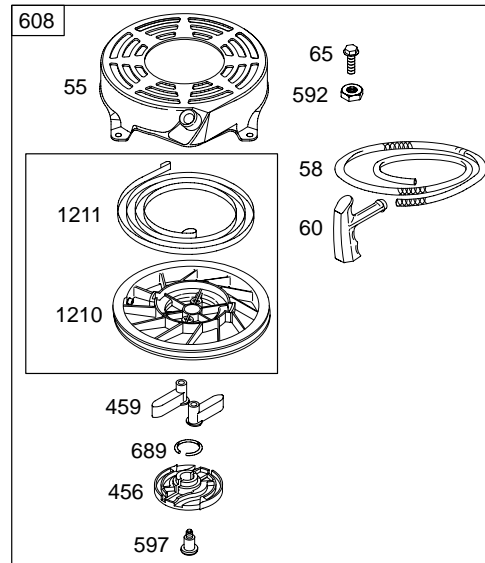
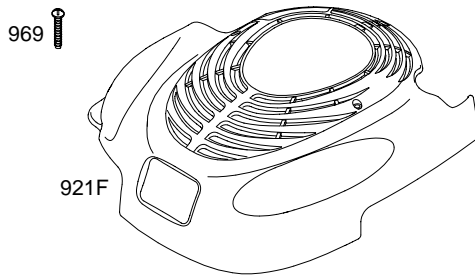
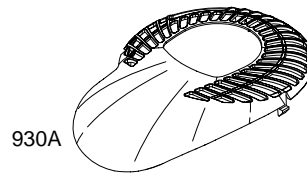
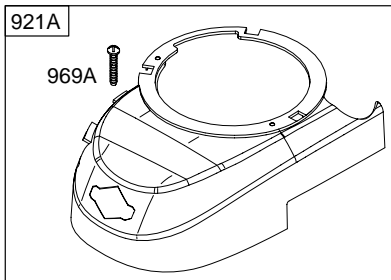
Illustrations cover a range of engines. Parts shown without corresponding text may not be used on your specific engine.
 5055-2 Assemblies include all parts shown in frames. 10/05/2004



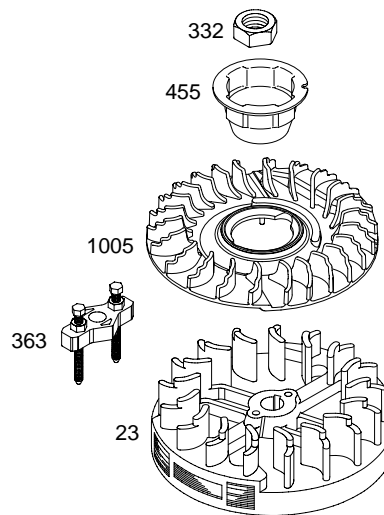
124K00



Illustrations cover a range of engines. Parts shown without corresponding text may not be used on your specific engine.
5055-4 Assemblies include all parts shown in frames. 10/05/2004



1036 EMISSION LABEL



124K00

REF. NO.	PART NO.	DESCRIPTION	REF. NO.	PART NO.	DESCRIPTION	REF. NO.	PART NO.	DESCRIPTION
1	697322	Cylinder Assembly	25	790359	Piston Assembly (Standard)	33	262651	Valve-Exhaust
2	399269	Kit-Bushing/Seal (Magneto Side)			(Used After Code Date 04031400).	34	262652	Valve-Intake
3	★299819	Seal-Oil (Magneto Side)			————— Note —————	35	691270	Spring-Valve (Intake)
4	493279	Sump-Engine			697339 Piston Assembly (Standard)	36	691270	Spring-Valve (Exhaust)
5	691160	Head-Cylinder			(Used Before Code Date 04031500).	37	694086	Guard-Flywheel
7	★Ø692249	Gasket-Cylinder Head			697340 Piston Assembly (.010" Oversize)	40	692194	Retainer-Valve
8	695250	Breather Assembly			697341 Piston Assembly (.020" Oversize)	43	691997	Slinger-Governor/Oil
9	★Ø696125	Gasket-Breather			697342 Piston Assembly (.030" Oversize)	45	690548	Tappet-Valve
10	691125	Screw (Breather Assembly)	26	790360	Ring Set (Standard)	46	691449	Camshaft
11	691781	Tube-Breather			(Used After Code Date 04031400).	50	497465	Manifold-Intake
12	★692232	Gasket-Crankcase			————— Note —————	51	★272199	Gasket-Intake
13	690912	Screw (Cylinder Head)			499425 Ring Set (Standard)	54	691650	Screw (Intake Manifold)
15	691680	Plug-Oil Drain (Square Socket)			(Used Before Code Date 04031500).	55	691421	Housing-Rewind Starter
16	691451	Crankshaft			499426 Ring Set (.010" Oversize)	58	697316	Rope-Starter (Cut To Required Length)
		————— Note —————			499427 Ring Set (.020" Oversize)	60	281434	Grip-Starter Rope
		696009 Crankshaft Used on Type No(s). 0110.			499428 Ring Set (.030" Oversize)	65	690837	Screw (Rewind Starter)
20	★399781	Seal-Oil (PTO Side)	27	691866	Lock-Piston Pin	78	691108	Screw (Flywheel Guard)
22	691092	Screw (Crankcase Cover/Sump)	28	499423	Pin-Piston (Standard)	81	691740	Lock-Muffler Screw
23	692315	Flywheel (Rewind Start)	29	499424	Rod-Connecting (Standard)	95	691636	Screw (Throttle Valve)
24	222698	Key-Flywheel	32	691664	Screw (Connecting Rod)	97	696565	Shaft-Throttle
			32A	695759	Screw (Connecting Rod)	104	●691242	Pin-Float Hinge
						117	498978	Jet-Main (Standard)
						118	497466	Jet-Main (High Altitude)
						121	498260	Kit-Carburetor Overhaul
						125	498170	Carburetor (Primer System)
						127	●694468	Plug-Welch
						130	696564	Valve-Throttle
						133	398187	Float-Carburetor
						134	●398188	Kit-Needle/Seat
						137	●◆693981	Gasket-Float Bowl

★ Included in Engine Gasket Set-Ref. No.358.

● Included in Carburetor Overhaul Kit-Ref. No. 121.

◆ Included in Carburetor Gasket Set-Ref. No. 977.

Ø Included in Valve Gasket Set-Ref. No 1095.

Illustrations cover a range of engines. Parts shown without corresponding text may not be used on your specific engine.

REF. NO.	PART NO.	DESCRIPTION	REF. NO.	PART NO.	DESCRIPTION	REF. NO.	PART NO.	DESCRIPTION
146	690979	Key—Timing	304	493293	Housing—Blower	529	691923	Grommet
159	691753	Bracket—Air Cleaner Primer			Note	562	92613	Bolt
163★◆	272653	Gasket—Air Cleaner			695892 Housing—Blower			(Governor Control Lever)
187	691050	Line—Fuel (Cut to Required Length)			Used on Type No(s). 0155.	564A	691142	Screw (Control Cover)
188	690877	Screw (Control Bracket)	305	691108	Screw (Blower Housing)	584	697734	Cover—Breather Passage
190	690940	Screw (Fuel Tank)	306	690450	Shield—Cylinder	585	★691879	Gasket—Breather Passage
202	691829	Link—Mechanical Governor	307	690345	Screw (Cylinder Shield)	592	690800	Nut (Rewind Starter)
209B	699056	Spring—Governor	332	690662	Nut (Flywheel)	597	691696	Screw (Pawl Friction Plate)
		Note	333	802574	Armature—Magneto	601	95162	Clamp—Hose
		691292 Spring—Governor	334	691061	Screw (Magneto Armature)	604A	691344	Cover—Control
		Used on Type No(s). 0110.	337	802592	Plug—Spark	608	497680	Starter—Rewind
222D	692467	Bracket—Control (Fixed Speed)	356	692390	Wire—Stop	613	691340	Screw (Muffler)
227	690783	Lever—Governor Control	358	497316	Gasket Set—Engine	615	690340	Retainer—Governor Shaft
265	690798	Clamp—Casing	363	19069	Flywheel Puller	616	698801	Crank—Governor
267	691044	Screw (Casing Clamp)	365	692524	Screw (Carburetor)	617★◆	270344	Seal—O Ring (Intake Manifold)
268	691072	Casing—Control Wire (Cut to Required Length)	383	89838	Wrench—Spark Plug	621	692310	Switch—Stop
269	691589	Wire—Control (Cut to Required Length)	404	690272	Washer (Governor Crank)	633	◆691321	Seal—Choke/Throttle Shaft
270	691027	Nut (Control Wire Casing)	425A	690670	Screw (Air Cleaner Cover)	635	66538	Boot—Spark Plug
271	691028	Lever—Control	443A	692523	Screw (Air Cleaner Primer Base)	668	★493823	Spacer (Includes 2)
276◆	271716	Washer—Sealing (Main Jet)	445A	491588	Filter—Air Cleaner Cartridge	670	692294	Spacer—Fuel Tank
287	690940	Screw (Dipstick Tube)	455	695161	Cup—Flywheel	676C	493871	Deflector—Muffler (Side Out) (Extended)
300	692038	Muffler (Super Lo Tone)	456	692299	Plate—Pawl Friction	677	690661	Screw (Muffler Deflector)
			459	281505	Plate—Ratchet	684	690345	Screw (Breather Passage Cover)
			505	691251	Nut (Governor Control Lever)	689	691855	Spring—Friction
			523	495264	Dipstick	718	690959	Pin—Locating
			524	★692296	Seal—Dipstick Tube			
			525	495265	Tube—Dipstick			

★ Included in Engine Gasket Set—Ref. No.358.

● Included in Carburetor Overhaul Kit—Ref. No. 121.

◆ Included in Carburetor Gasket Set—Ref. No. 977.

⊘ Included in Valve Gasket Set—Ref. No 1095.

Illustrations cover a range of engines. Parts shown without corresponding text may not be used on your specific engine.

124K00

REF. NO.	PART NO.	DESCRIPTION	REF. NO.	PART NO.	DESCRIPTION	REF. NO.	PART NO.	DESCRIPTION
741	790345	Gear–Timing (Use Without Woodruff Key) Note 691830 Gear–Timing (Uses Woodruff Key)	923	691994	Brake Note 695891 Brake Used on Type No(s). 0155.	972B	693377	Tank–Fuel (Plastic)
745	691648	Screw (Brake)	930A	691345	Guard–Rewind (Tear Drop)	975	493640	Bowl–Float
842	★691031	Seal–O Ring (Dipstick Tube)	957	397974	Cap–Fuel Tank (Plastic) (Black) Note 692662 Cap–Fuel Tank (Plastic) (Red) Used on Type No(s). 0110.	976	694395	Primer–Carburetor
847	692017	Dipstick/Tube Assembly	966A	496116	Base–Air Cleaner Primer	977	498261	Gasket Set–Carburetor
851	493880	Terminal–Spark Plug	967A	493537	Filter–Pre Cleaner	1005	691346	Fan–Flywheel
868	697338	Seal–Valve	968B	692298	Cover–Air Cleaner	1019	494256	Kit–Label
869	691155	Seat–Valve (Intake)	969	690700	Screw (Blower Housing Cover)	1036	790412	Label–Emission (Used After Code Date 04063000). Note 695111 Label– Emission (Used Before Code Date 04070100).
870	690380	Seat–Valve (Exhaust)	969A	691138	Screw (Blower Housing Cover)	1058	275177	Manual–Owner’s
871	262001	Bushing–Valve Guide (Exhaust) Note 63709 Bushing–Valve Guide (Intake)	970	691669	Screw (Air Cleaner Primer Bracket)	1059	692311	Kit–Screw/Washer
883	★∅691881	Gasket–Exhaust				1095	498528	Gasket Set–Valve
921A	695886	Cover–Blower Housing				1210	498144	Pulley/Spring Assembly (Pulley)
921F	697343	Cover–Blower Housing				1211	498144	Pulley/Spring Assembly (Spring)
922	691831	Spring–Brake Note 692135 Spring–Brake Used on Type No(s). 0155.				1330	270962	Manual–Repair

★ Included in Engine Gasket Set–Ref. No.358.

● Included in Carburetor Overhaul Kit–Ref. No. 121.

◆ Included in Carburetor Gasket Set–Ref. No. 977.

∅ Included in Valve Gasket Set–Ref. No 1095.

Illustrations cover a range of engines. Parts shown without corresponding text may not be used on your specific engine.