

**126800 to 126899**

# **Illustrated Parts List**

## **Industrial/Commercial®**

### **Model Series**

# **126800 to 126899**

**TYPE NUMBERS**

0106, 0221, 0222,  
0240, 0406, 0407,  
0410, 0411, 0412,  
0414 through 0418,  
0420 through 0428,  
0508, 0509, 0511,  
3100, 3106, 3153,  
3154, 3208, 3215.

**TYPE NUMBERS**

3217, 3218, 3219,  
3222, 3223, 3224,  
3226, 3406, 3408,  
3409,  
3411 through 3417,  
3421 through 3434,  
3436, 3437, 3438,  
3452, 4401, 4402,  
7415, 7416.

**TO FIND**

**THE CORRECT NUMBER OF THE PART YOU NEED:**

**FOLLOW THE INSTRUCTIONS BELOW**

- A. Refer to Engine Model, Type and Code Number that is stamped on the blower housing of engine. Engine type numbers such as 0123 01 are listed only as 0123 in most instances. The two digits (01 or 02, etc.) to the right of the space may be required for more accurate parts identification in some instances. Select the Illustrated Parts List covering the correct Model Series and Type Number.
- B. Refer to the Illustrations and compare the original part with Illustration. The number next to the illustration is the Reference Number. Assemblies include all parts shown in frames. All parts shown in assembly frames having individual reference numbers can be purchased separately.
- C. After the Reference Number has been identified, refer to the Numerical text, where Reference and Primary Part Number are listed. **THE PRIMARY PART IS USED ON ALL TYPE NUMBERS EXCEPT THOSE TYPE NUMBERS UNDER "NOTE."**
- D. If a "Note" appears below the Primary Part Number, it means that this part differs from the Primary Part for certain types. If your Type number is listed under "Note," order the part referred to at the "Note."
- E. If your Engine Type Number does not appear after any part number listed under "Note," use the Primary Part Number.
- F. For Engine Type Numbers not covered by this book, check other Parts Lists having the same engine model or contact your source of supply.

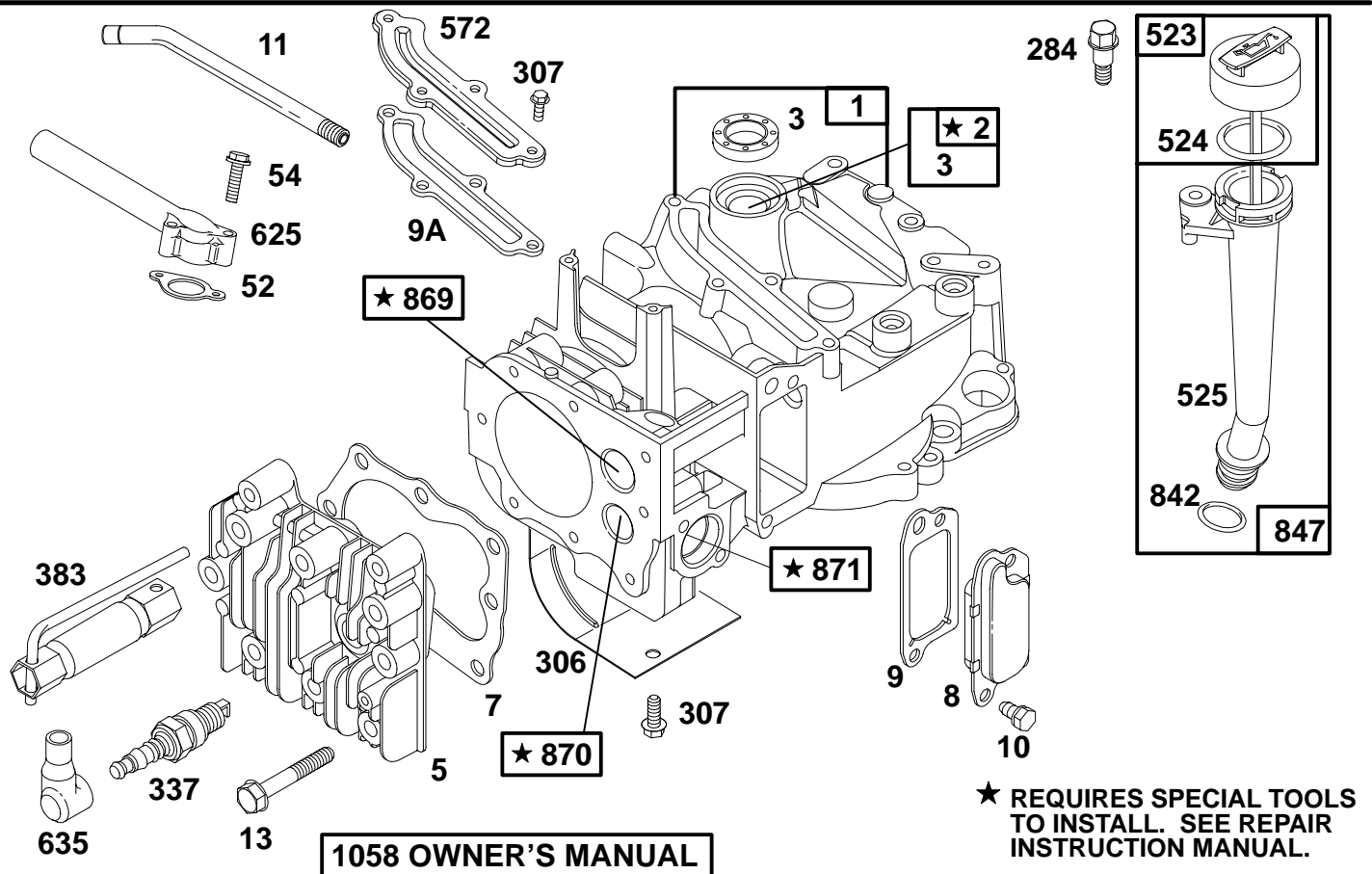
PRINTED IN U.S.A.

COPYRIGHT©

**BRIGGS & STRATTON**

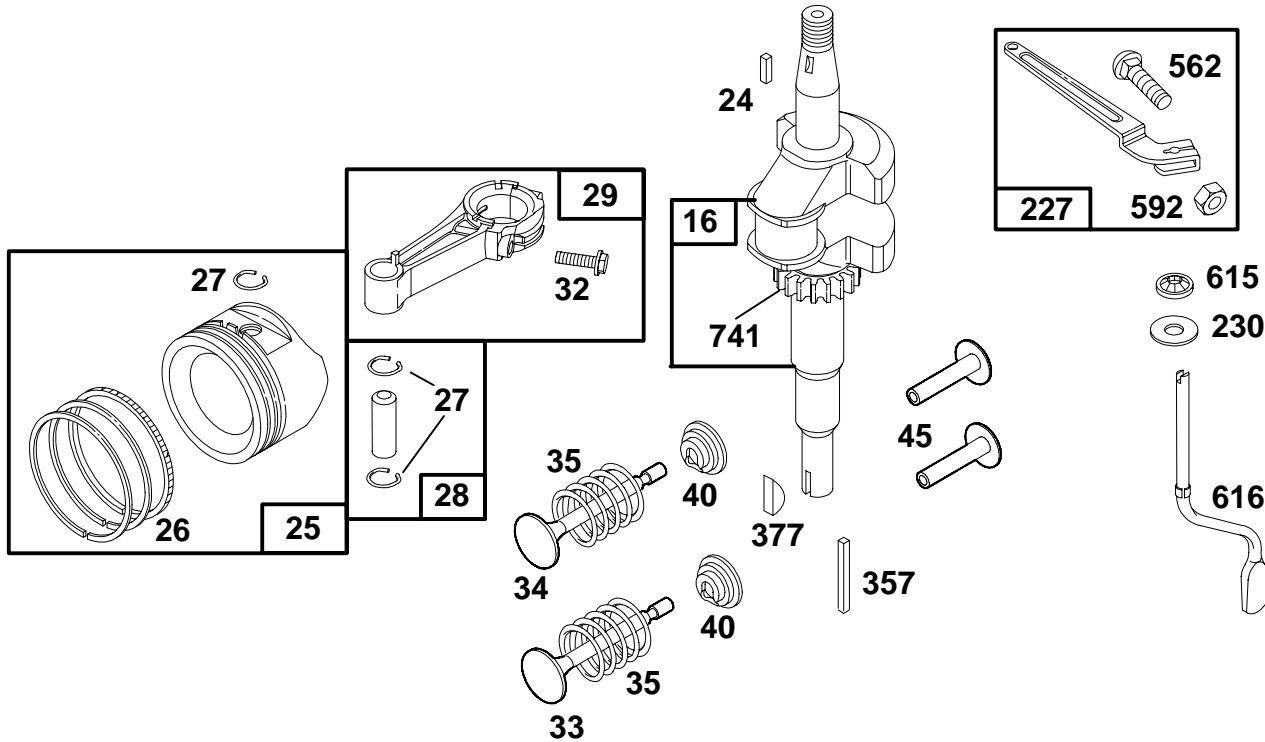
®

# 126800 to 126899



REF. NO.	PART NO.	DESCRIPTION	REF. NO.	PART NO.	DESCRIPTION	REF. NO.	PART NO.	DESCRIPTION	
1	494062	Cylinder Assembly			<b>Note</b>	572	224328	Baffle-Cylinder	
2	399269	Bushing			492167	Plug-Spark	625	492717	Manifold-Intake
3	★299819	Seal-Oil			(1-7/8" High, 48 mm)	635	66538	Boot-Spark Plug	
5	213861	Head-Cylinder	383	89838	Wrench-Spark Plug	842	★280966	Seal-O-Ring	
7	★272200	Gasket-Cylinder Hd.	523	495264	Cap-Oil Fill	847	495263	Tube-Oil	
8	494489	Breather Assembly			(Used After Code Date 92072600).			(Used After Code Date 92072600).	
9	★272481	Gasket-Breather			<b>Note</b>			<b>Note</b>	
9A	★272238	Gasket-Breather			493950	Cap-Oil Fill		493459	Tube-Oil
10	94650	Screw-Hex. Head			(Used Before Code Date 92072700).			(Used Before Code Date 92072700).	
11	231685	Tube-Breather							
13	94547	Screw-Cylinder Hd.							
52	★272199	Gasket-Intake Elbow	524	★280393	Seal-Intake Elbow	869	213512	Seat-Intake Valve	
54	94526	Screw-Hex. Head	525	495265	Tube-Oil Fill	870	213513	Seat-Exhaust Valve	
284	94511	Screw-Hex. Head			(Used After Code Date 92072600).	871	262001	Bushing-Guide	
306	224324	Shield-Cylinder						(Exhaust Valve)	
307	94515	Screw-Hex. Head			<b>Note</b>			<b>Note</b>	
337	802592	Plug-Spark			493952	Tube-Oil Fill		63709	Bushing-Guide
		(Resistor Type)			(Used Before Code Date 92072700).			(Intake Valve)	
		(1-7/8" High, 48 mm)				1058	272262	Owner's Manual	

- ★ Included in Gasket Set-See Ref. 358.
- Included in Carburetor Kit-Part No. 493762.
- ◆ Included in Carburetor Gasket Set-Part No. 490937.



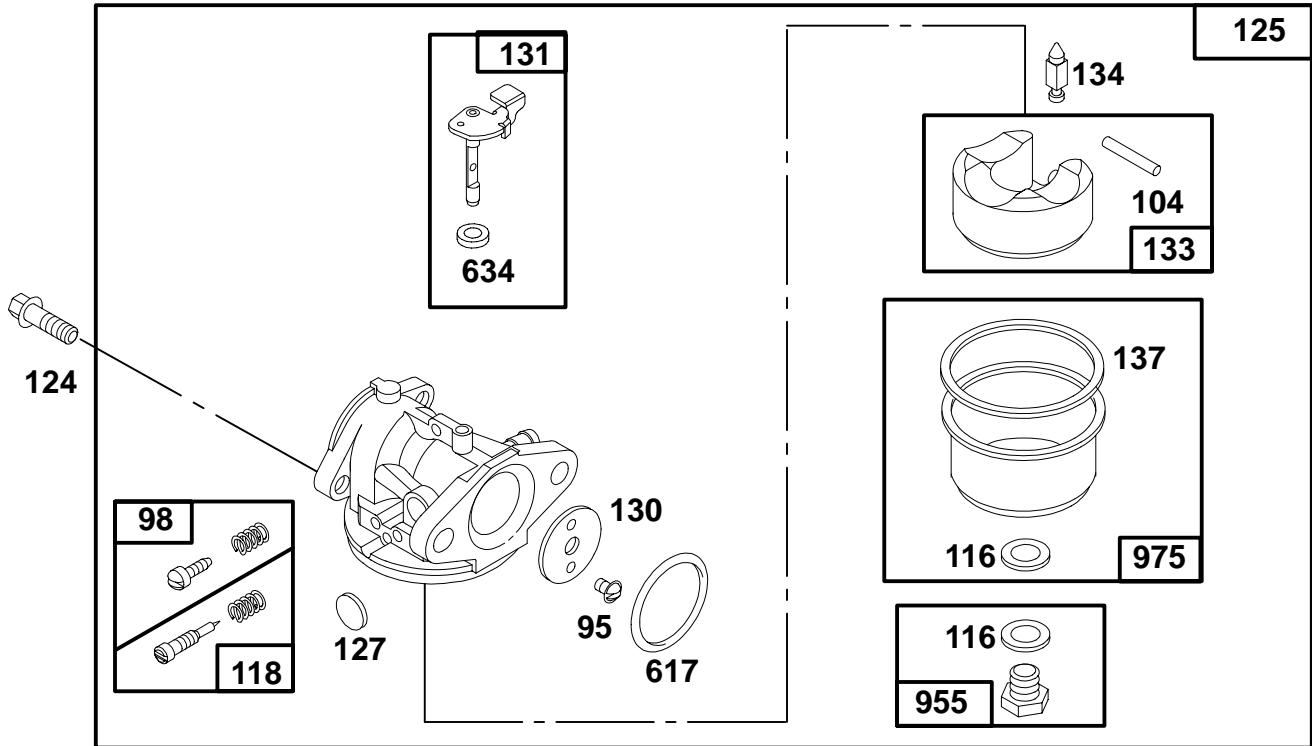
REF. NO.	PART NO.	DESCRIPTION	REF. NO.	PART NO.	DESCRIPTION	REF. NO.	PART NO.	DESCRIPTION
16		Crankshaft <b>See Last Pages.</b>			<b>493390</b> Ring Set (.030" O.S.)	40	<b>93312</b>	Retainer-Valve
24	<b>222698</b>	Key-Flywheel	27	<b>26026</b>	Lock-Piston Pin	45	<b>262204</b>	Tappet-Valve
25	<b>494058</b>	Piston Assy. (Standard)	28	<b>298909</b>	Pin-Piston (Standard)	227	<b>492349</b>	Lever Assembly-Gov.
	<b>494059</b>	Piston Assy. (.010" O.S.)		<b>298908</b>	Pin-Piston (.005" O.S.)	230	<b>67072</b>	Washer-Gov. Crank
	<b>494060</b>	Piston Assy. (.020" O.S.)	29	<b>490566</b>	Rod-Connecting (Standard)	357	<b>91540</b>	Key-Drive Pulley
	<b>494061</b>	Piston Assy. (.030" O.S.)		<b>490743</b>	Rod-Connecting (.020" Undersize)	377	<b>94329</b>	Key-Woodruff (For 25 mm Crankshaft)
26	<b>493261</b>	Ring Set (Standard)	32	<b>94699</b>	Screw-Conn. Rod	562	<b>92613</b>	Bolt-Governor Lever
	<b>493388</b>	Ring Set (.010" O.S.)	33	<b>262651</b>	Valve-Exhaust	592	<b>231082</b>	Nut-Hex.
	<b>493389</b>	Ring Set (.020" O.S.)	34	<b>262652</b>	Valve-Intake	615	<b>94474</b>	Fastener
			35	<b>262224</b>	Spring-Valve	616	<b>262578</b>	Crank-Governor
						741	<b>262598</b>	Gear-Timing

- ★ Included in Gasket Set-See Ref. 358.
- Included in Carburetor Kit-Part No. 493762.
- ◆ Included in Carburetor Gasket Set-Part No. 490937.



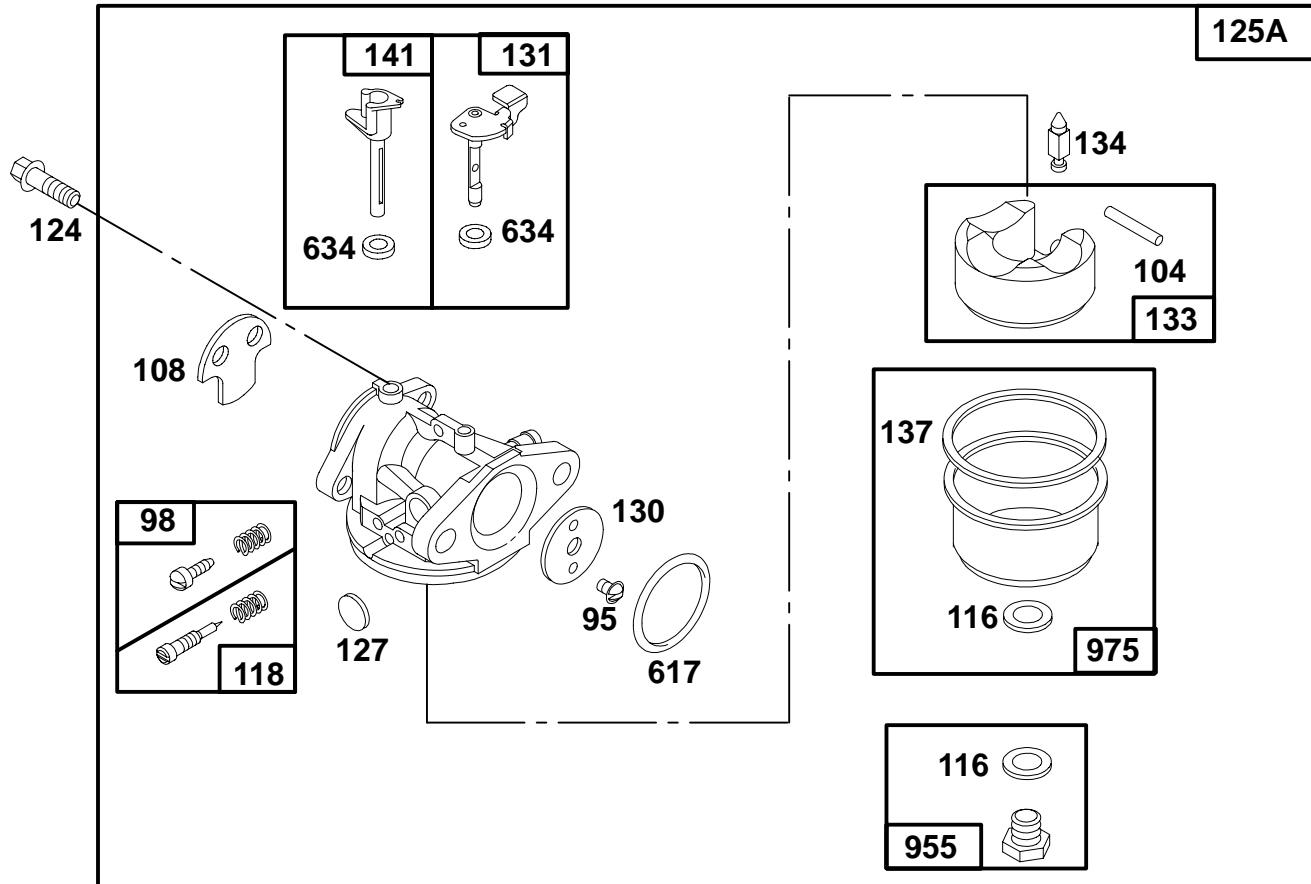


# 126800 to 126899



REF. NO.	PART NO.	DESCRIPTION	REF. NO.	PART NO.	DESCRIPTION	REF. NO.	PART NO.	DESCRIPTION
95	94098	Screw-Round Head	127	●	Plug-Welch (Sold in Kit Only)			(Standard) (Used After Code Date 93080100).
98	398185	Screw-Idle Adjustment	130	223470	Valve-Throttle			<b>Note</b>
104	●231371	Pin-Float Hinge	131	493267	Shaft-Throttle			<b>494870</b> Screw-Carb.
116	◆◆	Gasket-Sealing (Sold in Kit Only)	133	398187	Float-Carburetor			Bowl Mtg.
118	●493765	Valve-Needle	134	●398188	Valve-Needle (Includes Seat)			(For High Altitude) (Used After Code Date 93080100).
124	94525	Screw-Carb. Mtg.	137	◆◆	Gasket-Float Bowl (Sold in Kit Only)			
125	496114	Carburetor (For Primer) (Used After Code Date 93080100). <b>SEE NEXT PAGE FOR CHOKE CARBURETOR</b>	617	◆◆270344	Seal-Intake Elbow	975	493640	Bowl-Float
			634	◆◆	Washer-Shaft (Sold in Kit Only)			
			955	493637	Screw-Fuel Bowl Kit			

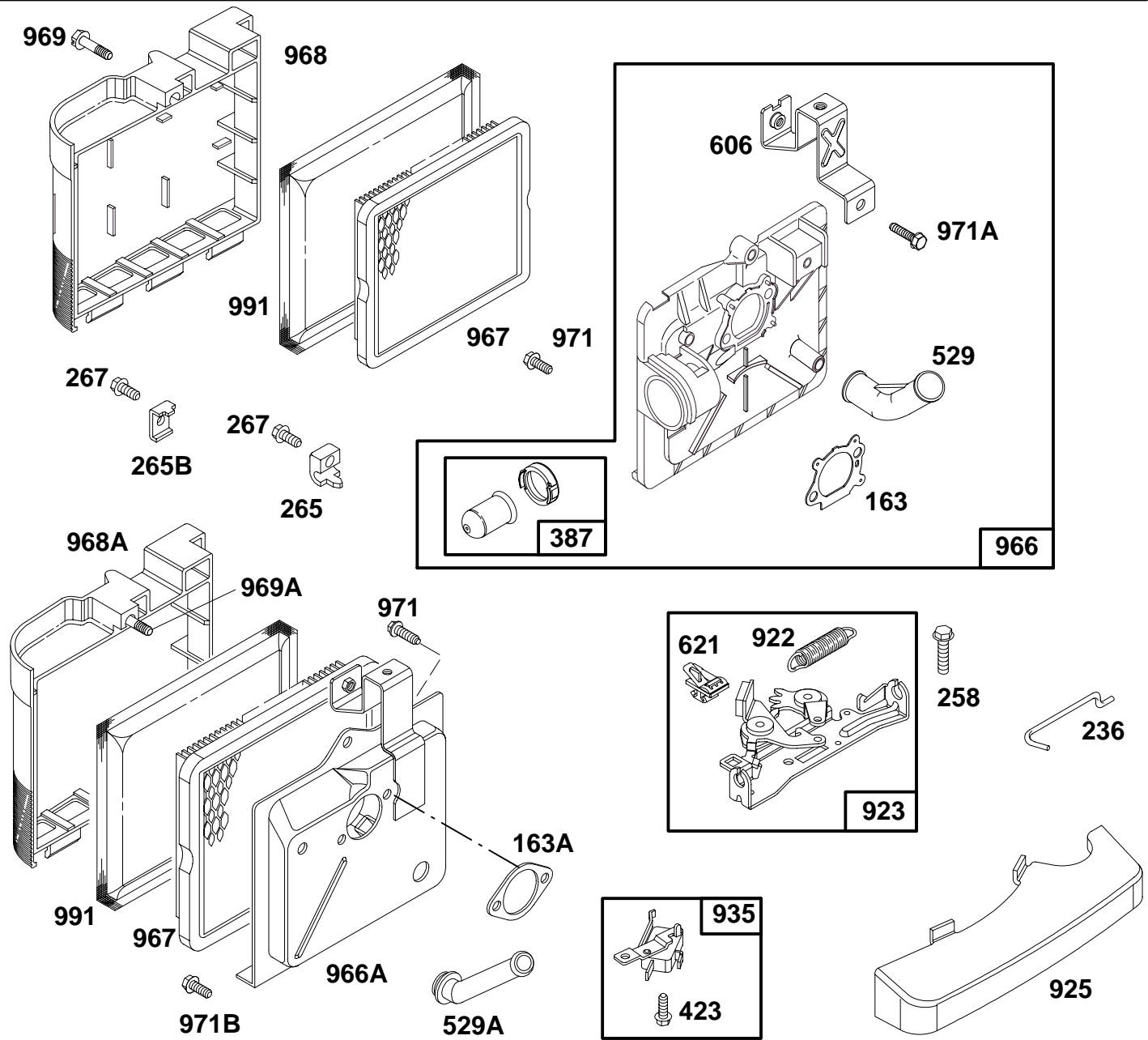
- ★ Included in Gasket Set-See Ref. 358.
- Included in Carburetor Kit-Part No. 493762.
- ◆ Included in Carburetor Gasket Set-Part No. 490937.



REF. NO.	PART NO.	DESCRIPTION	REF. NO.	PART NO.	DESCRIPTION	REF. NO.	PART NO.	DESCRIPTION
95	94098	Screw-Round Head			3415, 3416, 3417, 3426, 3428, 3429, 3433, 4401, 4402.			(For High Altitude) (Used Before Code Date 93080200).
98	398185	Screw-Idle Adjustment						<b>Note</b>
104	●231371	Pin-Float Hinge						<b>493869</b> Screw-Fuel Bowl Kit (Standard)
108	●223471	Valve-Choke						<b>OR</b>
116	◆◆	Gasket-Sealing (Sold in Kit Only).	127	●	Plug-Welch (Sold in Kit Only)			<b>493763</b> Screw-Fuel Bowl Kit (High Altitude)
118	●493765	Valve Kit-Needle	130	223470	Valve-Throttle			Used on Type No(s). 0106, 0406, 0410, 0411, 0412, 0414, 0415, 0416, 0417, 0418, 0420, 0421, 0422, 0423, 0424, 0425, 0426, 0427, 0428, 3106, 3153, 3224, 3406, 3412,
124	94525	Screw-Carburetor Mounting	131	493267	Shaft-Throttle			
125A	493627	Carburetor (For Primer) (Used Before Code Date 93080200).	133	398187	Float-Carburetor			
		<b>Note</b>	134	●398188	Valve-Needle (Includes Seat)			
		<b>494217</b> Carburetor Used on Type No(s). 0106, 0406, 0410, 0411, 0412, 0414, 0415, 0416, 0417, 0418, 0420, 0421, 0422, 0423, 0424, 0425, 0426, 0427, 0428, 3106, 3153, 3224, 3406, 3412,	137	◆◆	Gasket-Float Bowl (Sold in Kit Only)			
			141	494218	Shaft-Choke			
			617	◆◆270344	Seal-Intake Elbow			
			634	◆◆	Washer-Shaft (Sold in Kit Only)			
			955A	493637	Screw-Fuel Bowl Kit (Standard) (Used Before Code Date 93080200).			
					<b>OR</b>			
					<b>494870</b> Screw-Carb. Bowl Mtg.			
						975	493640	Bowl-Float

- ★ Included in Gasket Set-See Ref. 358.
- Included in Carburetor Kit-Part No. 493762.
- ◆ Included in Carburetor Gasket Set-Part No. 490937.

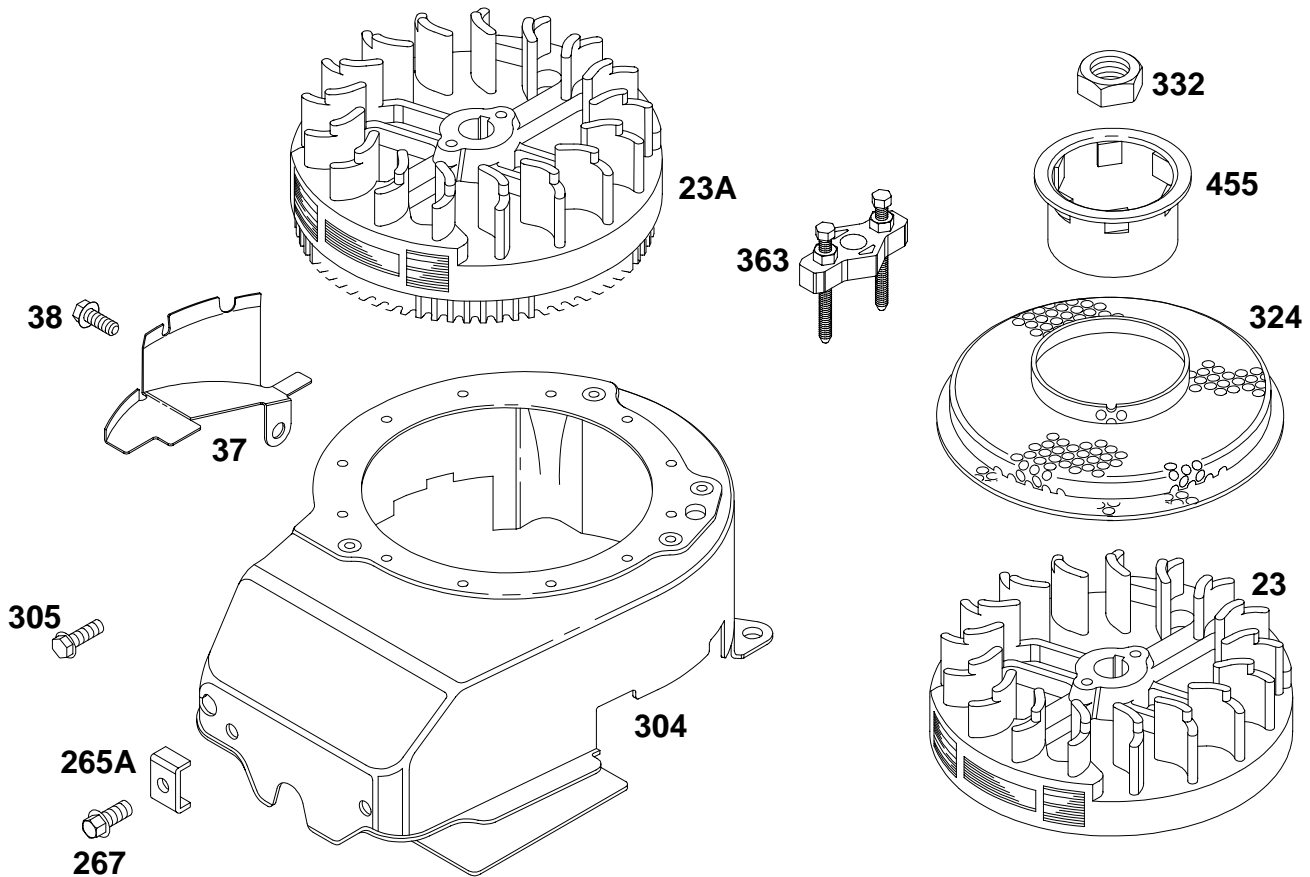
# 126800 to 126899



REF. NO.	PART NO.	DESCRIPTION	REF. NO.	PART NO.	DESCRIPTION	REF. NO.	PART NO.	DESCRIPTION
163	★272653	Gasket-Air Cleaner	621	396847	Switch-Stop			Date 93080200).
163A	★272296	Gasket-Air Cleaner	922	262640	Spring-Brake	967	491588	Filter-Air
236	262461	Link-Lock Out	923	493442	Brake	968	281340	Cover-Air Cleaner
258	94512	Screw-Hex. Head	925	281145	Cover-Linkage	968A	281069	Cover-Air Cleaner
265	213146	Clamp-Casing	935	398758	Switch-Interlock	969	94120	Screw-Hex. Head
265B	221535	Clamp-Casing	966	496116	Base-Air Cleaner	969A	94173	Screw-Air Cleaner
267	94204	Screw-Hex. Hd.			(Primer Style)	971	94121	Screw-Air Cleaner
387	496115	Primer-Carburetor			(Used After Code Date 93080100).	971A	94749	Screw-Air Cleaner
423	93758	Screw-Hex. Head	966A	494735	Base-Air Cleaner (Metal)	971B	94269	Screw-Air Cleaner
529	281299	Grommet			(Used Before Code	991	493537	Filter-Air (Pre-Filter)
529A	280943	Grommet						
606	224815	Strap-Bracket						

- ★ Included in Gasket Set-See Ref. 358.
- Included in Carburetor Kit-Part No. 493762.
- ◆ Included in Carburetor Gasket Set-Part No. 490937.

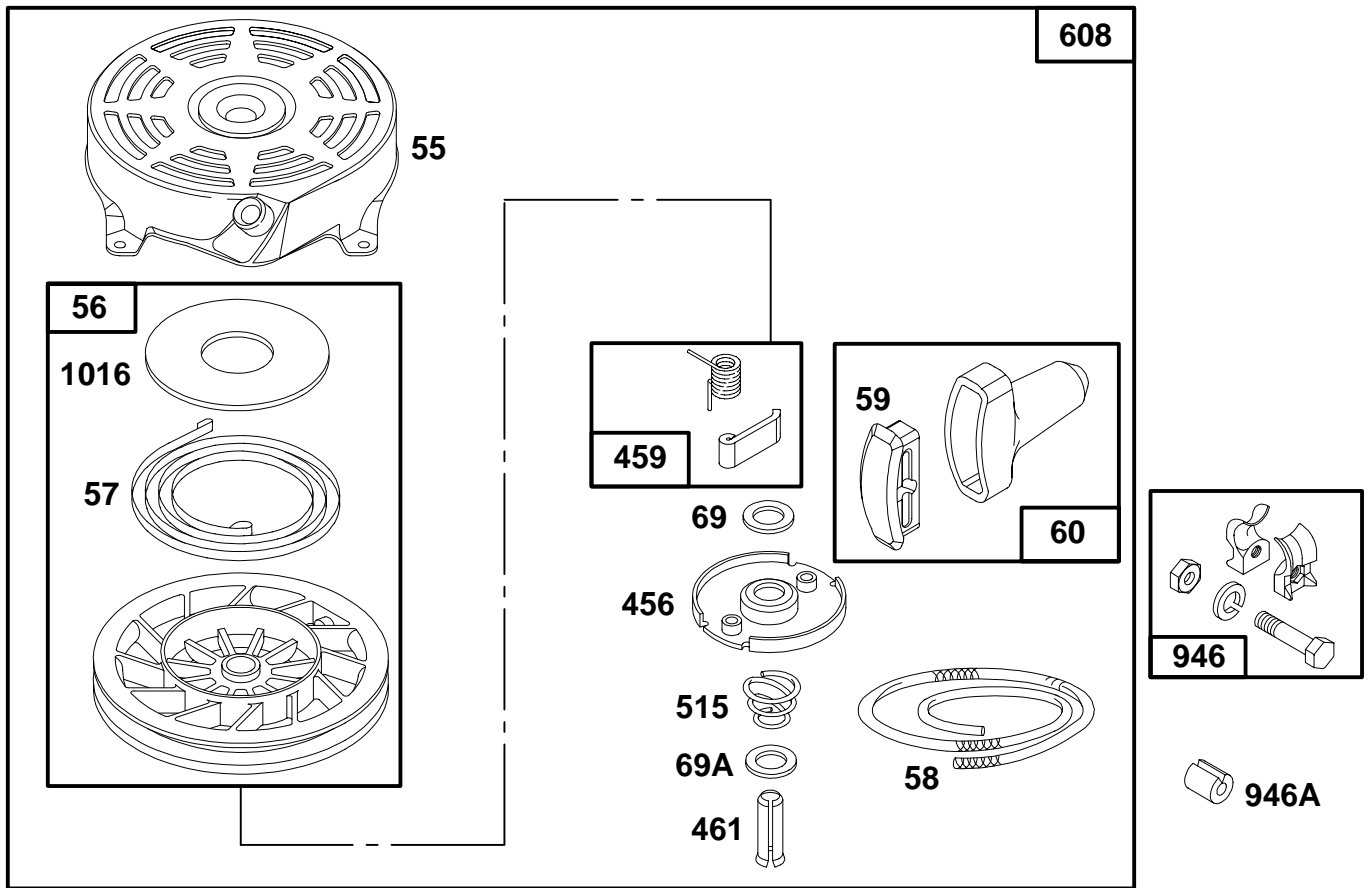




REF. NO.	PART NO.	DESCRIPTION	REF. NO.	PART NO.	DESCRIPTION	REF. NO.	PART NO.	DESCRIPTION
23	492177	Flywheel	267	94204	Screw-Clamp Mtg.	324	224251	Screen-Rotating
23A	492175	Flywheel	304	493294	Housing-Blower			<b>Note</b>
		<b>Note</b>			Used on Engines			224527 Screen-Rotating
		492893 Flywheel			without Band Brake.			Used on Type No(s).
		Used on Type No(s).			<b>Note</b>			0421, 0425.
		0407, 0416, 0420,			493293 Housing	332	92284	Nut-Flywheel
		4401, 4402.			Blower	363	19069	Flywheel Puller
37	224511	Guard-Flywheel			Used on Engines with	455	224250	Cup-Flywheel
38	94608	Screw-Hex. Hd.			Band Brake.			
265A	22372	Clamp-Casing	305	94513	Screw-Sem			

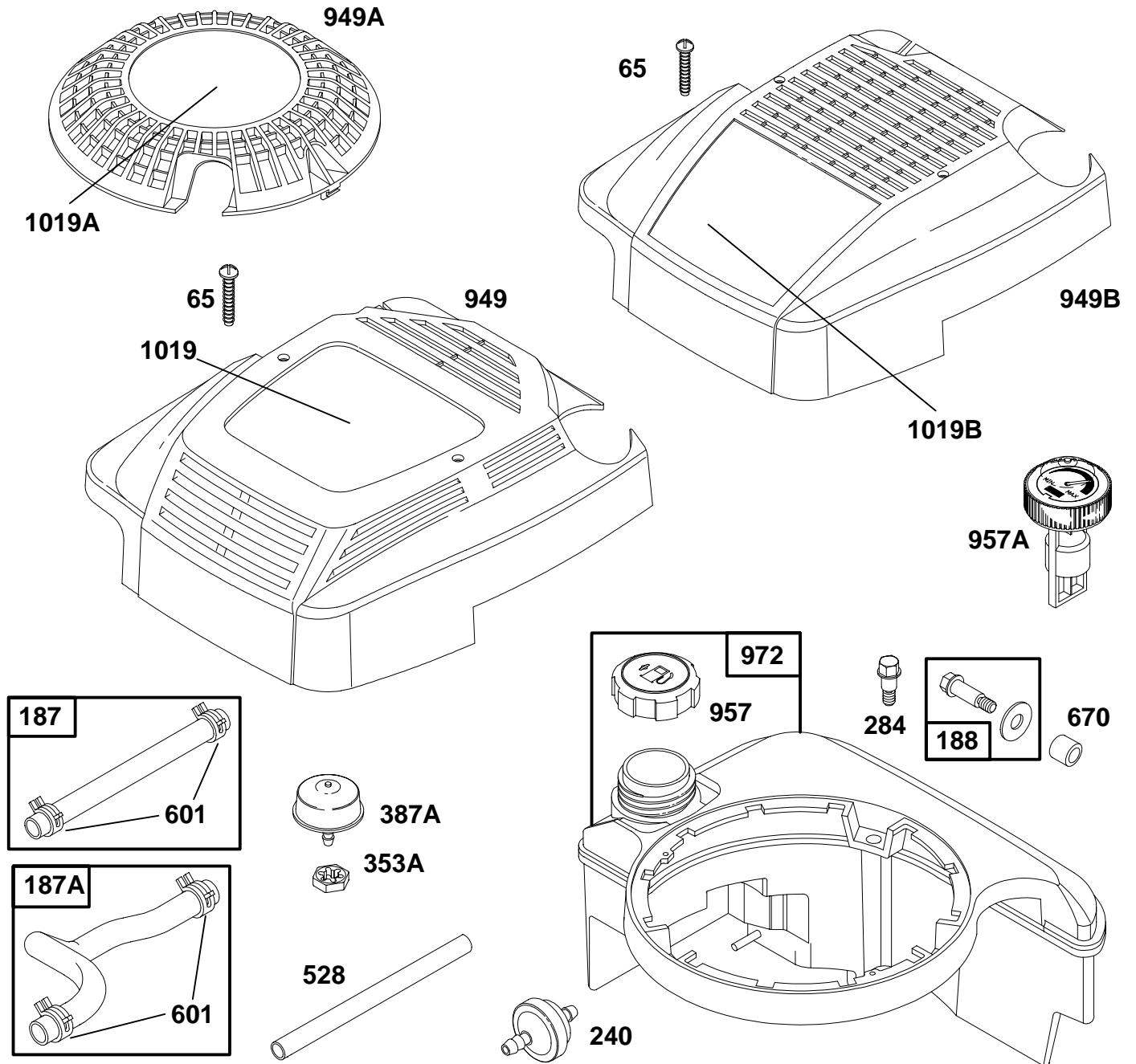
- ★ Included in Gasket Set-See Ref. 358.
- Included in Carburetor Kit-Part No. 493762.
- ◆ Included in Carburetor Gasket Set-Part No. 490937.

# 126800 to 126899



REF. NO.	PART NO.	DESCRIPTION	REF. NO.	PART NO.	DESCRIPTION	REF. NO.	PART NO.	DESCRIPTION
55	492831	Housing–Rewind Starter	60	393152	Grip–Starter Rope	608	493295	Starter–Rewind
56	493824	Pulley–Starter	69	280973	Washer–Spring			<b>Include(s):</b>
57	262594	Spring–Rewind Starter	69A	224322	Washer–Flat			94128 Screw–Hex. Hd
58	280399	Rope–Starter (Cut To 88–5/8")	456	224321	Retainer–Spring			92987 Nut–Hex.
59	396892	Insert–Starter Grip	459	492833	Pawl–Ratchet	946	396526	Guide–Rope
			461	262626	Pin–Shaft	946A	223294	Stop–Rope
			515	262625	Spring–Retainer	1016	224278	Cover–Pulley

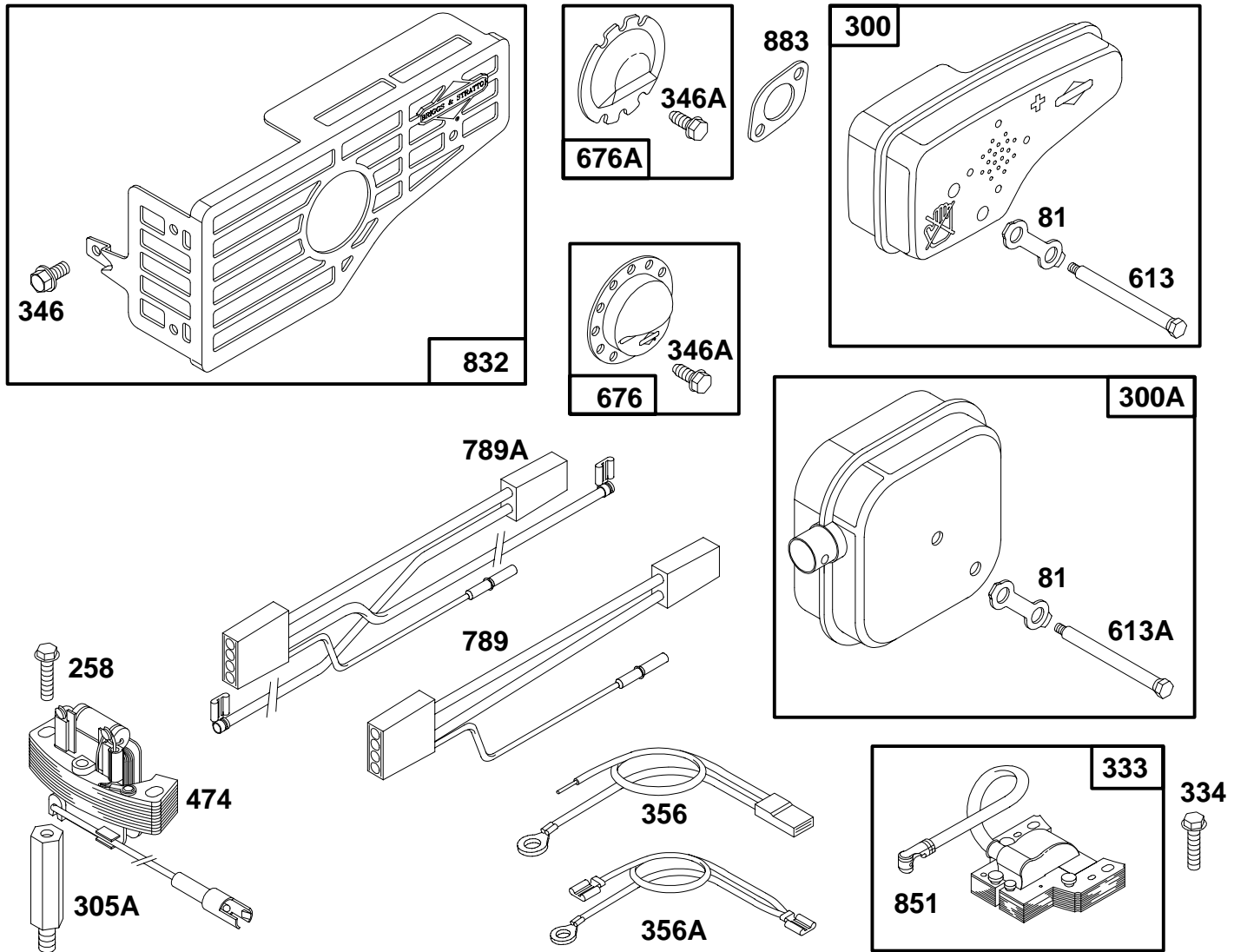
- ★ Included in Gasket Set–See Ref. 358.
- Included in Carburetor Kit–Part No. 493762.
- ◆ Included in Carburetor Gasket Set–Part No. 490937.



REF. NO.	PART NO.	DESCRIPTION	REF. NO.	PART NO.	DESCRIPTION	REF. NO.	PART NO.	DESCRIPTION	
65	94696	Screw-Guard Mtg.	528	399254	Line-Fuel	949B		Guard-Finger	
187	492790	Line-Fuel (Cut to Suit)	601	93807	Clamp-Hose (Black)			Use Reference 949, Guard-Finger.	
187A	492791	Line-Fuel			— Note —	957	397974	Cap-Fuel Tank	
188	398540	Screw-Hex. Hd. (Tank Mounting )			93053	Clamp-Hose (Green)	957A	494277	Cap-Fuel Tank
240	298090	Filter-Fuel	670	280512	Spacer (Fuel Tank)	972	495224	Tank-Fuel (1.6 Quart, Black)	
284	94511	Screw-Hex. Head	949	497233	Guard-Finger	1019	496658	Label Kit	
353A	94581	Nut-Lock	949A	281136	Guard-Finger	1019A	494256	Label Kit	
387A	394281	Primer-Carb.				1019B	495354	Label Kit	

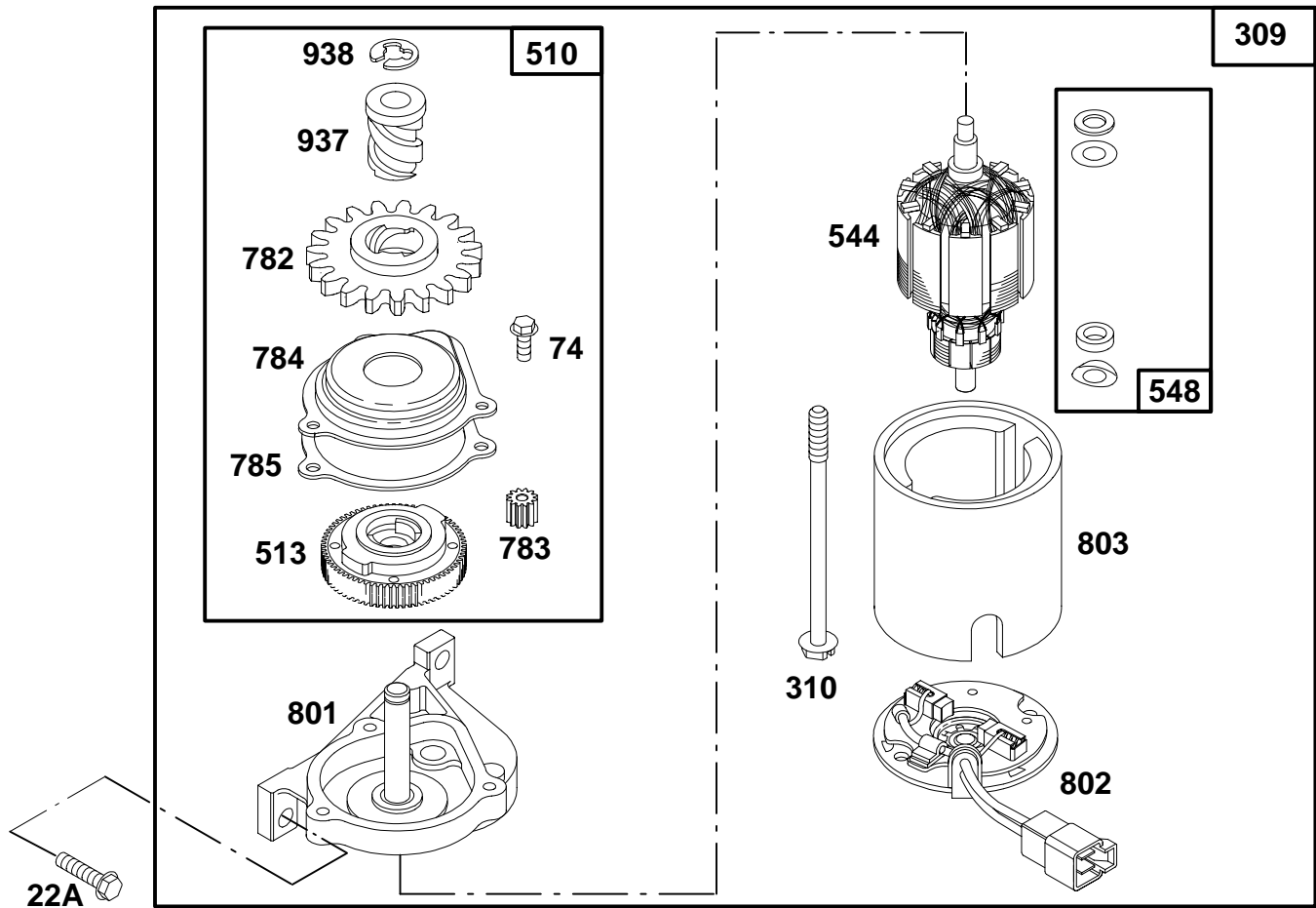
- ★ Included in Gasket Set-See Ref. 358.
- Included in Carburetor Kit-Part No. 493762.
- ◆ Included in Carburetor Gasket Set-Part No. 490937.

# 126800 to 126899



REF. NO.	PART NO.	DESCRIPTION	REF. NO.	PART NO.	DESCRIPTION	REF. NO.	PART NO.	DESCRIPTION	
81	223664	Lock-Muffler Screw	356A	398708	Wire-Stop			Used on Engines with Band Brake. _____ <b>Note</b> _____ <b>494544</b> Harness-Wiring Used on Type No(s). 3434.	
258	94512	Screw-Hex. Head	474	492841	Alternator				
300	490547	Muffler-Exhaust	613	94231	Screw-Muffler Mtg.				
300A	494343	Muffler-Exhaust (Square Lo-Tone)	613A	94615	Screw-Hex. Head				
305A	94510	Stud-Alternator Mtg.	676	396548	Deflector-Muffler	832	494224		Guard-Muffler
333	802574	Armature-Magneto	676A	393756	Deflector-Muffler	851	221798		Terminal-Cable
334	93381	Screw-Armature Mtg.	789	493379	Harness-Wiring Used on Engines without Band Brake.	883	★272253		Gasket-Muffler
346	94602	Screw-Hex. Hd.	789A	493380	Harness-Wiring				
346A	93705	Screw-Hex. Hd.							
356	398808	Wire-Stop							

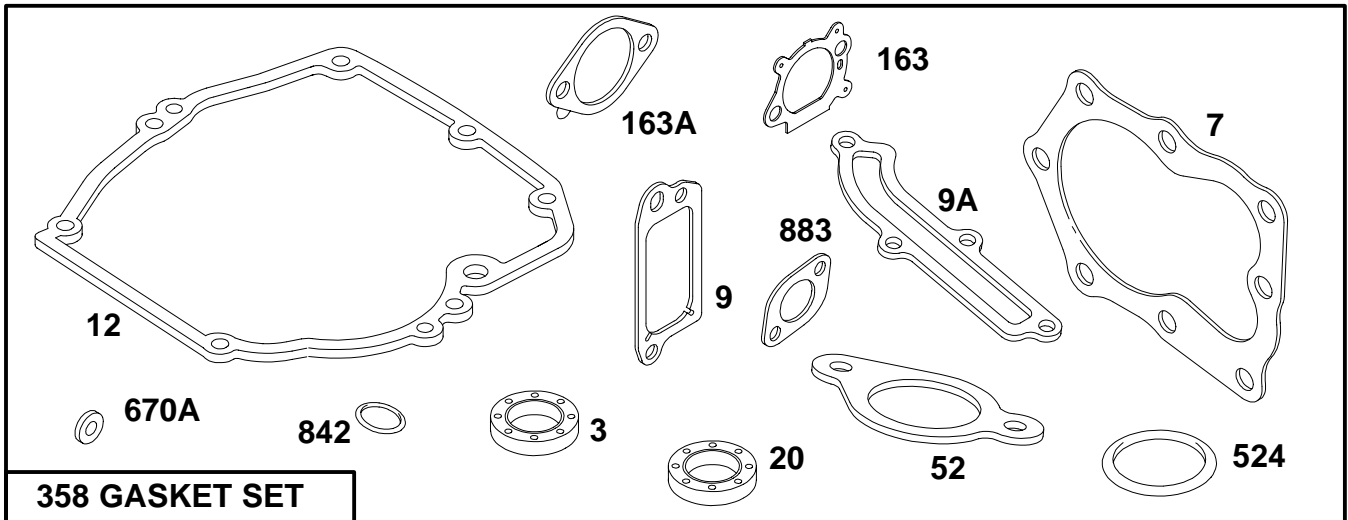
- ★ Included in Gasket Set-See Ref. 358.
- Included in Carburetor Kit-Part No. 493762.
- ◆ Included in Carburetor Gasket Set-Part No. 490937.



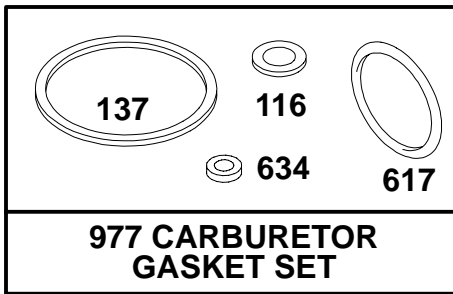
REF. NO.	PART NO.	DESCRIPTION	REF. NO.	PART NO.	DESCRIPTION	REF. NO.	PART NO.	DESCRIPTION
22A	94268	Screw-Hex. Hd.	544	492921	Armature-Starter	801	492335	Cap-Drive
74	93490	Screw-Sem	548	492919	Washer Set	802	492922	Cap-End
309	494233	Motor-Starter	782	281127	Gear-Starter	803	492920	Housing-Starter
310	94051	Bolt-Thru	783	261606	Gear-Starter	937	281125	Spline-Starter
510	494147	Drive Kit	784	224262	Cover-Gear	938	93941	Retainer-Lock
513	394815	Clutch-Drive	785	272201	Gasket-Cover			

- ★ Included in Gasket Set-See Ref. 358.
- Included in Carburetor Kit-Part No. 493762.
- ◆ Included in Carburetor Gasket Set-Part No. 490937.

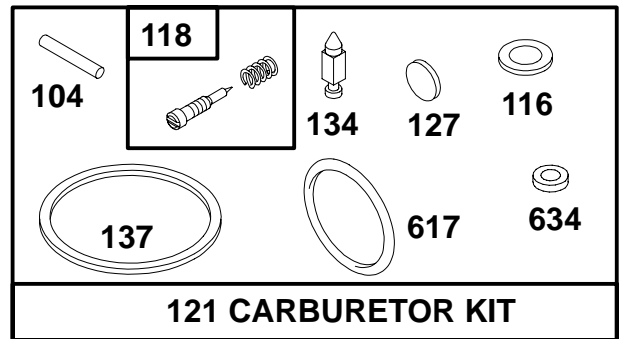
# 126800 to 126899



**358 GASKET SET**



**977 CARBURETOR GASKET SET**



**121 CARBURETOR KIT**

REF. NO.	PART NO.	DESCRIPTION	REF. NO.	PART NO.	DESCRIPTION	REF. NO.	PART NO.	DESCRIPTION
3	★299819	Seal—Oil			(Sold in Kit Only)	524	★280393	Seal—Intake Elbow
7	★272200	Gasket—Cylinder Hd.	134	●398188	Valve—Needle (Includes Seat)	617	●270344	Seal—Intake Elbow
9	★272481	Gasket—Breather	137	●◆	Gasket—Float Bowl (Sold in Kit Only)	634	●◆	Washer—Shaft (Sold in Kit Only)
9A	★272238	Gasket—Breather	163	★272653	Gasket—Air Cleaner	670A	★493823	Spacer—Bracket
12	★272198	Gasket—Crankcase	163A	★272296	Gasket—Air Cleaner	842	★280966	Seal—O-Ring
20	★399781	Seal—Oil	358	496117	Gasket Set (Used After Code Date 93080100).	883	★272253	Gasket—Muffler
52	★272199	Gasket—Intake Elbow			<b>Note</b> _____	977	490937	Gasket Set—Carb.
104	●231371	Pin—Float Hinge			493263 Gasket Set (Used Before Code Date 93080200).			
116	●◆	Gasket—Sealing (Sold in Kit Only)						
118	●493765	Valve—Needle						
121	493762	Carburetor Kit						
127	●	Plug—Welch						

- ★ Included in Gasket Set—See Ref. 358.
- Included in Carburetor Kit—Part No. 493762.
- ◆ Included in Carburetor Gasket Set—Part No. 490937.

# 126800 to 126899

REF. NO.	PART NO.	DESCRIPTION	REF. NO.	PART NO.	DESCRIPTION	REF. NO.	PART NO.	DESCRIPTION		
16	493362	Crankshaft <div style="text-align: center;">———— <b>Note</b> ————</div> For Timing Gear Key— Order Part No. <b>94388.</b> <b>493282</b> Crankshaft Used on Type No(s). 0106, 0406, 0410, 0416, 0418, 0420, 0422, 0508, 3100, 3106, 3208, 3406, 3408. <b>493363</b> Crankshaft Used on Type No(s). 0240, 0426, 0509, 3219, 3226, 3423, 3424, 3430, 3431, 3434, 3436, 3438, 4402. <b>493433</b> Crankshaft Used on Type No(s). 0221, 3153, 3154, 3218, 3427. <b>493566</b> Crankshaft Used on Type No(s). 0421. <b>493946</b> Crankshaft Used on Type No(s). 0414, 3217.	209	262660	Spring—Governor <div style="text-align: center;">———— <b>Note</b> ————</div> <b>262654</b> Spring—Gov. Used on Type No(s). 0412, 0425, 0428, 3414, 3416, 3417, 3421, 3422. <b>262655</b> Spring Gov. Used on Type No(s). 0407. <b>262656</b> Spring—Gov. Used on Type No(s). 0420. <b>262657</b> Spring—Gov. Used on Type No(s). 0509, 3217, 3219, 3426, 3430, 3434. <b>262658</b> Spring—Gov. Used on Type No(s). 3412, 3415, 3416, 3417, 3421, 3422, 3428, 3429. <b>262659</b> Spring—Gov. Used on Type No(s). 0221, 0222, 0511,					3100, 3153, 3154, 3218, 3222, 3408, 3427. <b>262661</b> Spring—Gov. Used on Type No(s). 0508, 3208, 3413, 3414. <b>262662</b> Spring—Gov. Used on Type No(s). 3409, 3411. <b>262664</b> Spring—Gov. Used on Type No(s). 0410, 0411, 0416, 0418, 0422. <b>262665</b> Spring—Gov. Used on Type No(s). 0414, 0415. <b>262666</b> Spring—Gov. Used on Type No(s). 0106, 0406, 0417, 0426, 0427, 3106, 3406, 4401, 4402. <b>262667</b> Spring—Gov. Used on Type No(s). 0423, 0424. <b>262678</b> Spring—Gov. Used on Type No(s). 0412, 0425, 0428.

- ★ Included in Gasket Set—Part No. See Ref. 358.
- Included in Carburetor Overhaul Kit—Part No. 493762.
- ◆ Included in Carburetor Gasket Set—Part No. 490937.