



# Illustrated Parts List

## Model Series

# 127300

TYPE NUMBERS  
0036 through 0171.

### TABLE OF CONTENTS

Air Cleaner .....	6
Blower Housing .....	7
Camshaft .....	2
Carburetor .....	4
Controls .....	5
Crankcase Cover .....	2
Crankshaft .....	2
Cylinder .....	2
Cylinder Head .....	3
Electric Starter .....	5
Exhaust System .....	6
Flywheel .....	7
Fuel Supply .....	5
Gear Reduction .....	6
Governor Spring .....	5
Ignition .....	5
Kits/Gaskets – Carburetor .....	4
Kits/Gaskets – Engine .....	2
Kits/Gaskets – Valve .....	3
Lubrication .....	5
Piston Group .....	2
Rewind Starter .....	7



PRINTED IN U.S.A.

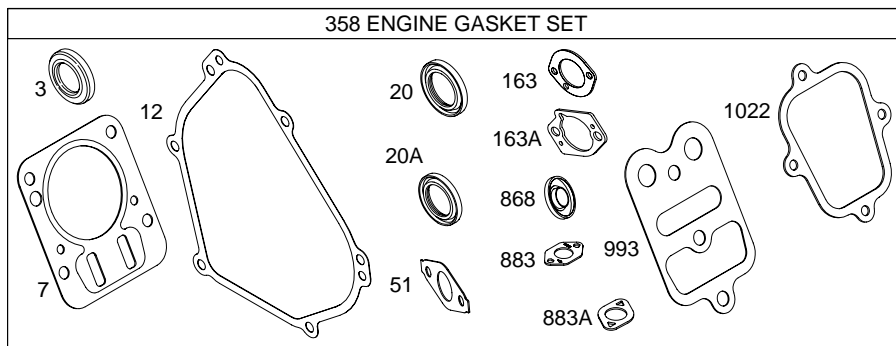
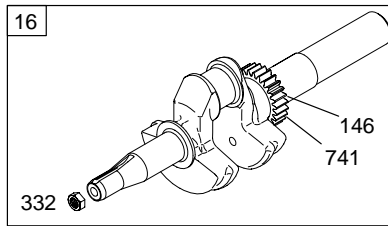
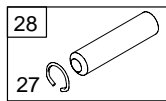
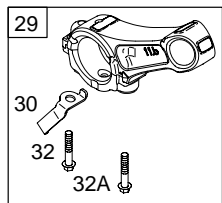
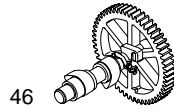
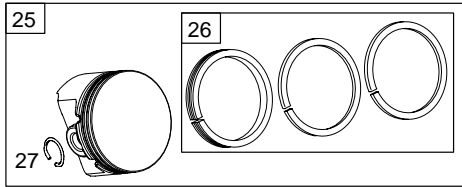
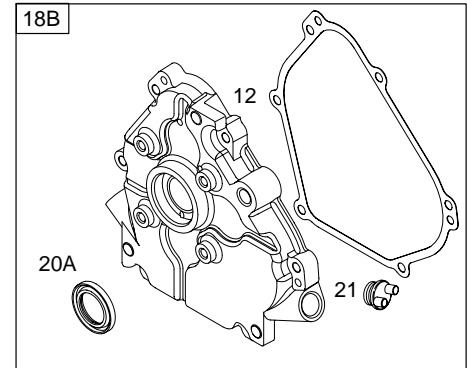
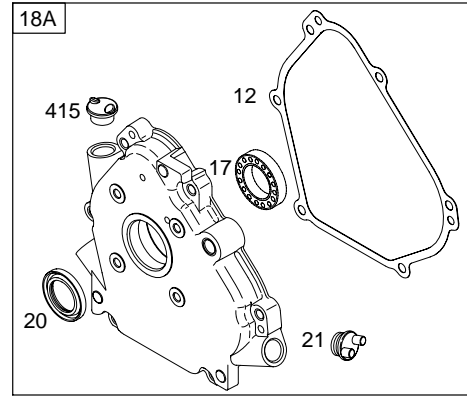
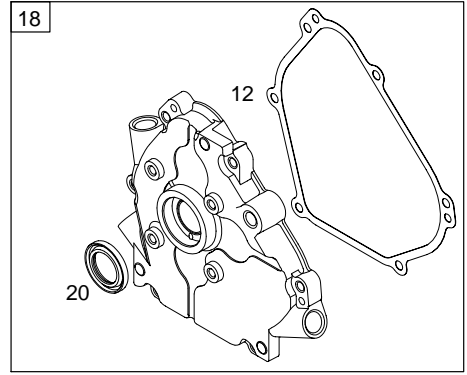
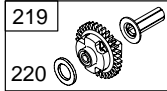
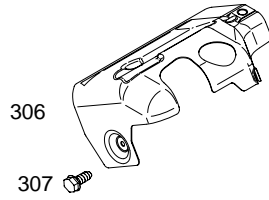
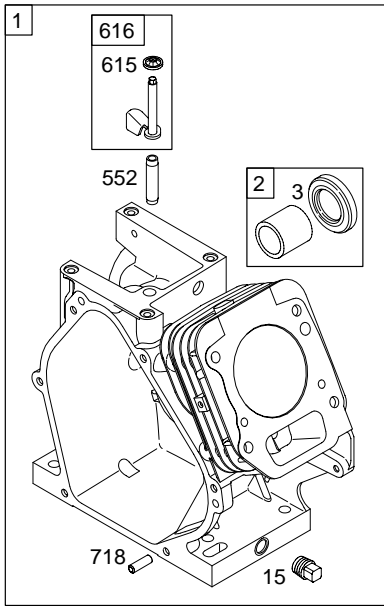
COPYRIGHT by BRIGGS & STRATTON CORPORATION  
All rights reserved. No part of this material may be reproduced or transmitted, in any form or by any means, electronic or mechanical, including photocopying, recording or by any information storage and retrieval system, without permission in writing from Briggs & Stratton Corporation.

# 127300

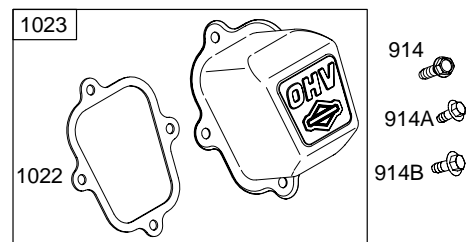
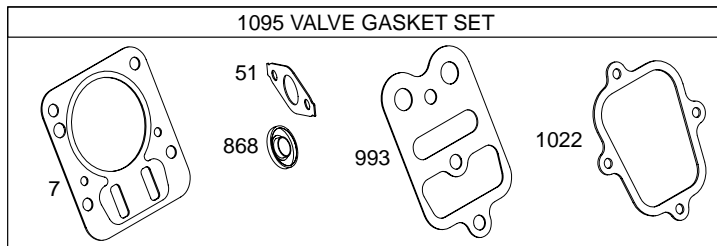
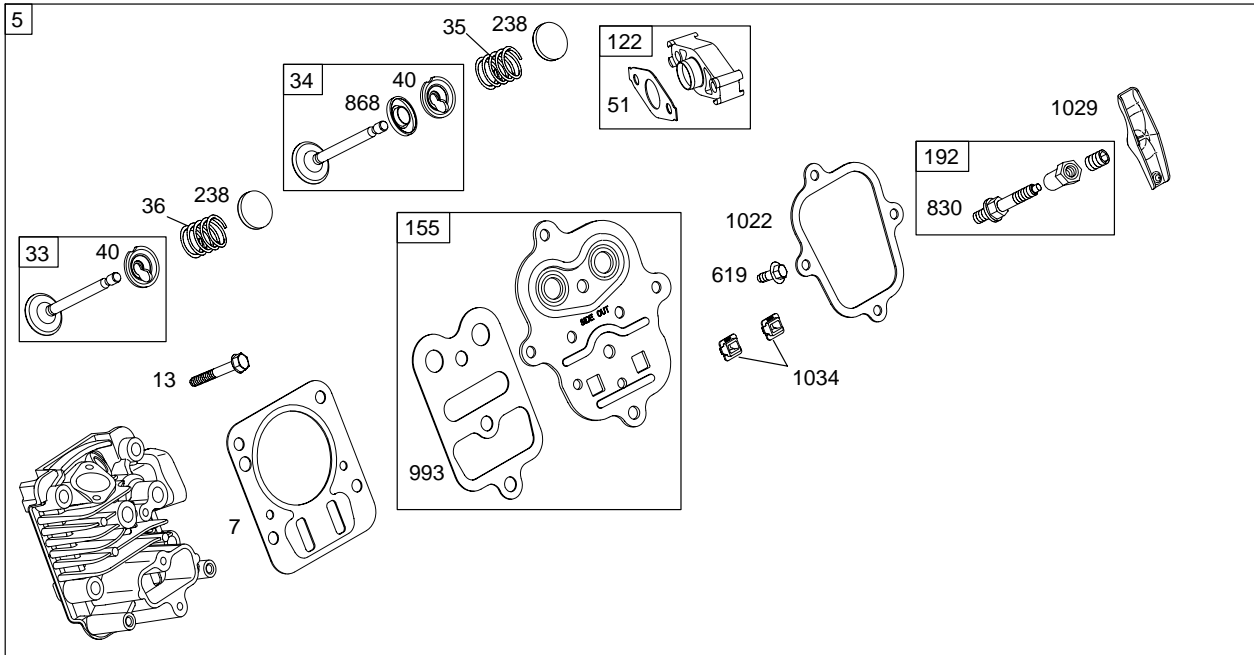
1019 LABEL KIT

1058 OWNER'S MANUAL

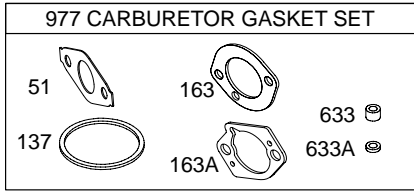
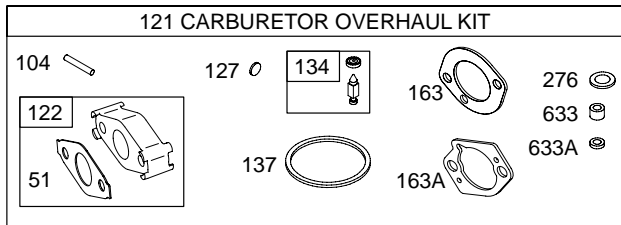
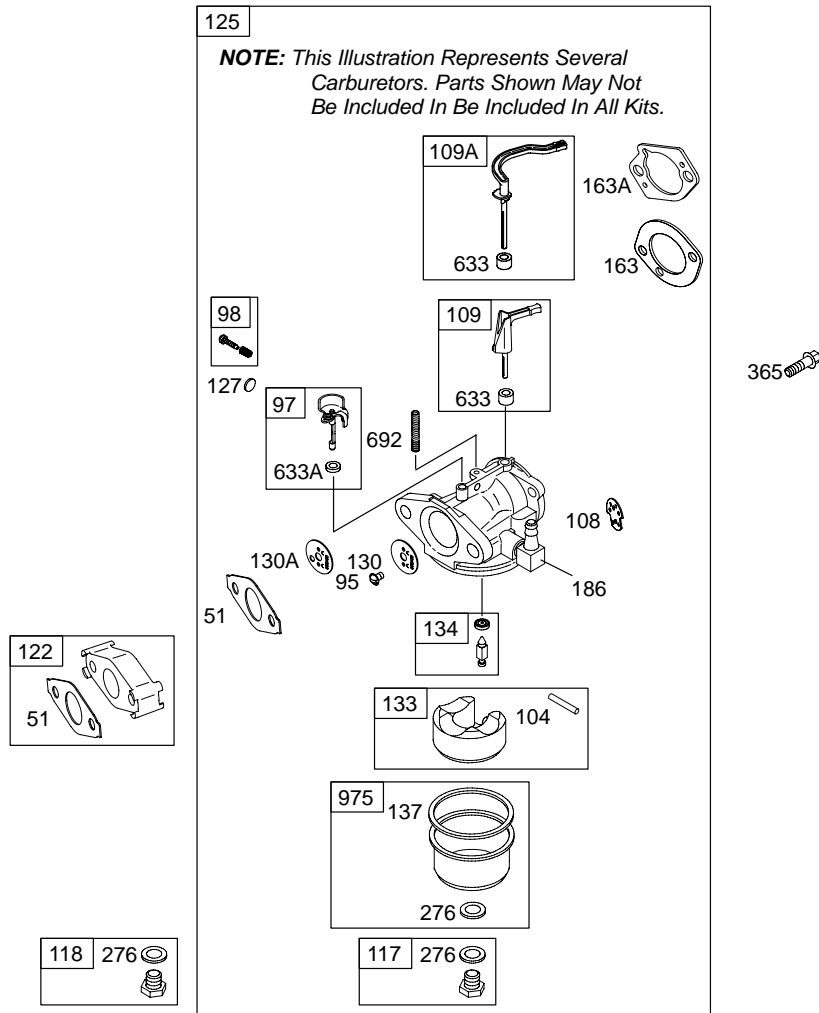
1330 REPAIR MANUAL



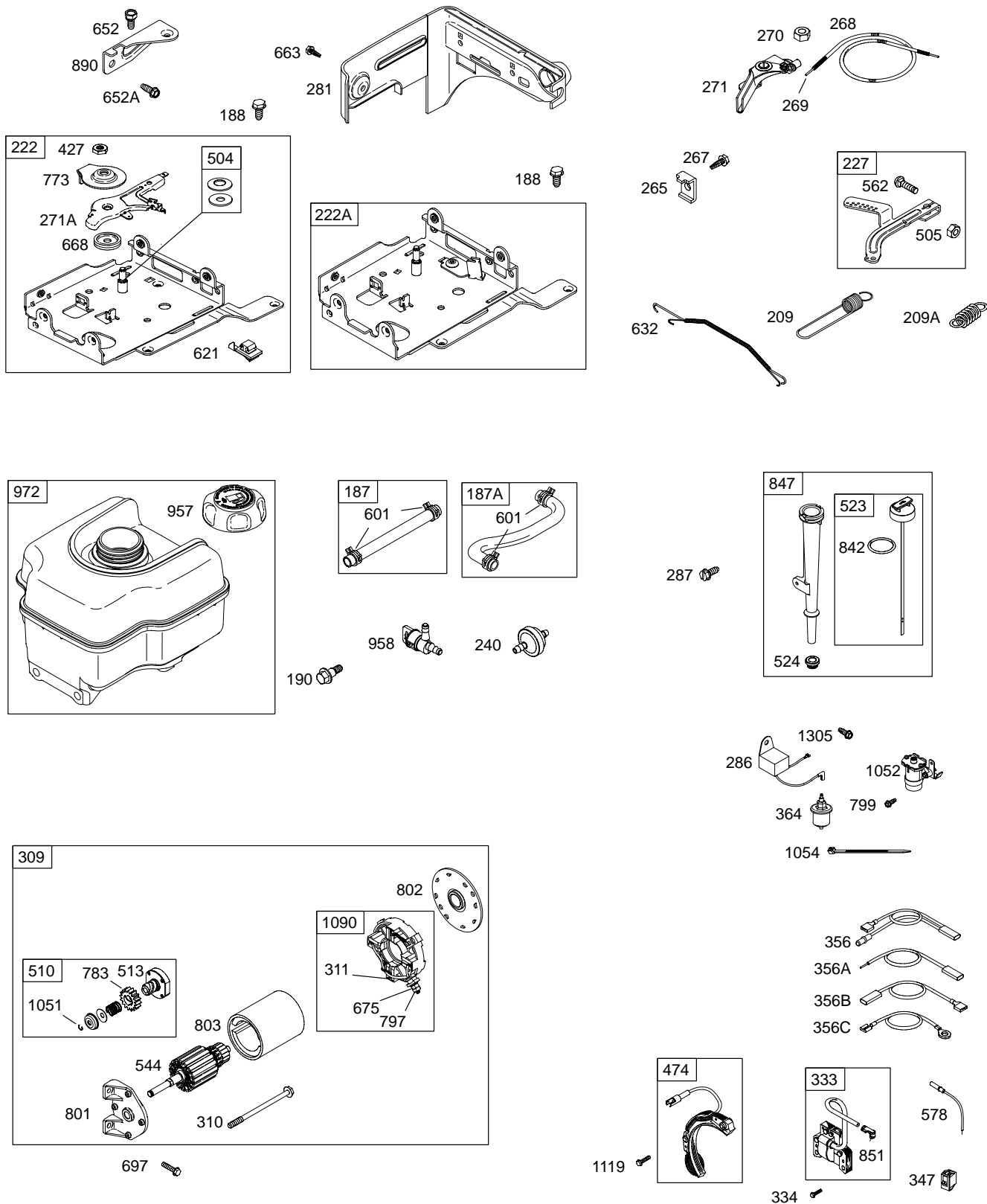
Illustrations cover a range of engines. Parts shown without corresponding text may not be used on your specific engine.  
 5720-2 Assemblies include all parts shown in frames. 10/19/2004



Illustrations cover a range of engines. Parts shown without corresponding text may not be used on your specific engine.  
 5720-3 Assemblies include all parts shown in frames. 10/19/2004

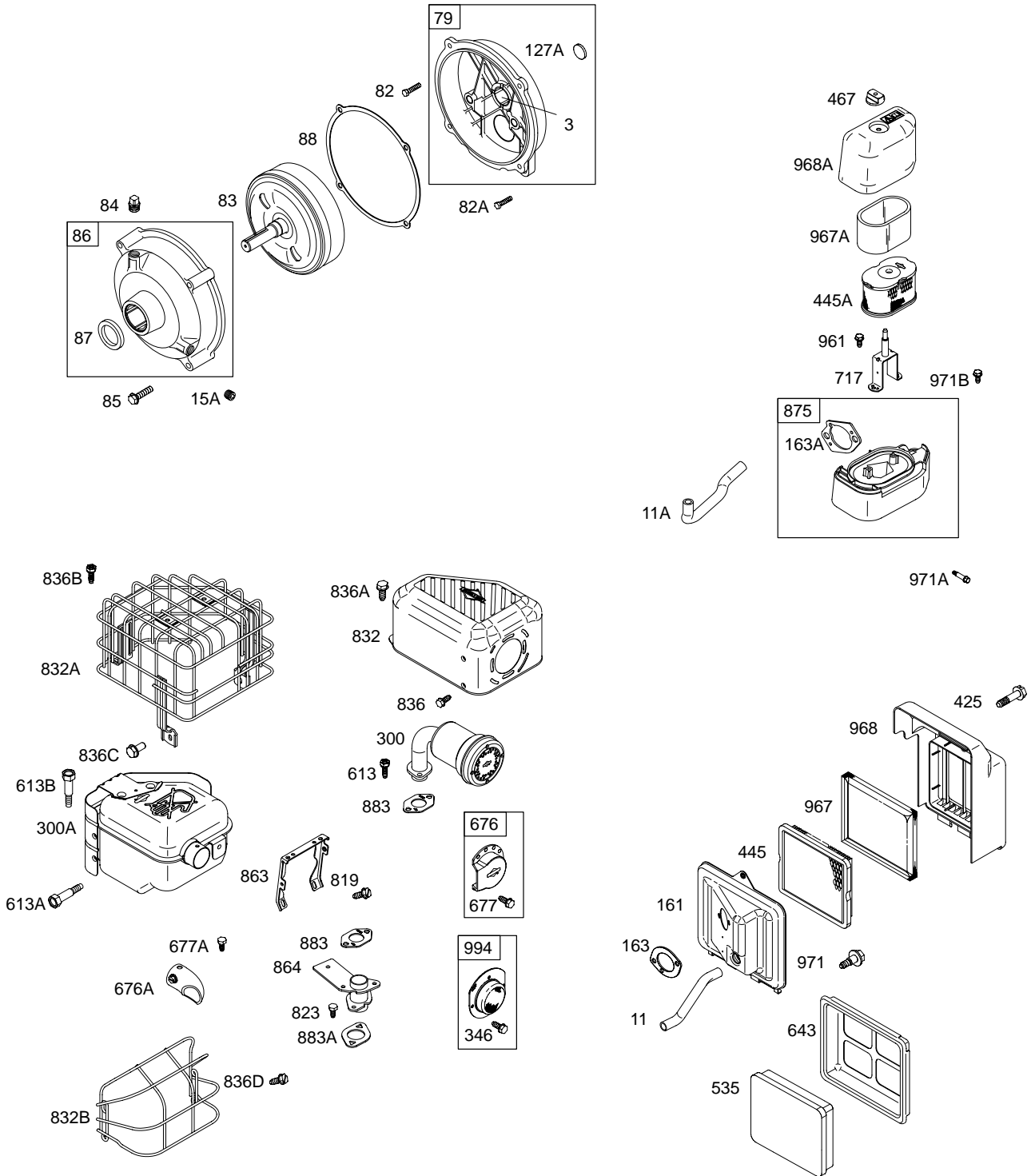


Illustrations cover a range of engines. Parts shown without corresponding text may not be used on your specific engine.

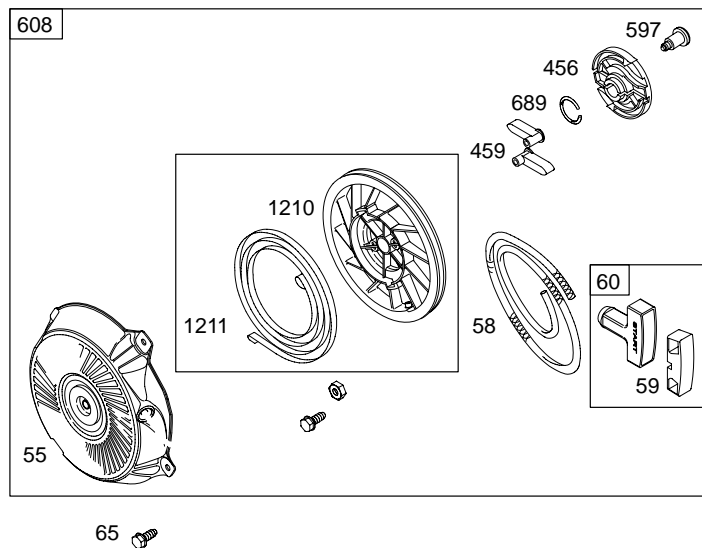
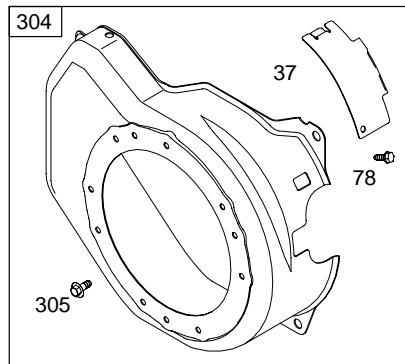
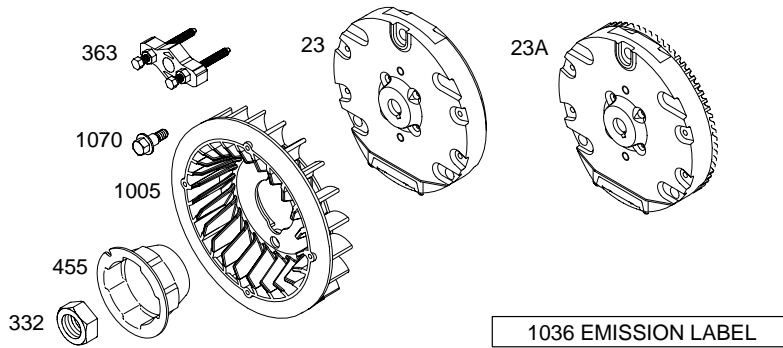


Illustrations cover a range of engines. Parts shown without corresponding text may not be used on your specific engine.  
 5720-5 Assemblies include all parts shown in frames. 10/19/2004

# 127300



Illustrations cover a range of engines. Parts shown without corresponding text may not be used on your specific engine.  
5720-6 Assemblies include all parts shown in frames. 10/19/2004



*Illustrations cover a range of engines. Parts shown without corresponding text may not be used on your specific engine.*  
 5720-7 Assemblies include all parts shown in frames. 10/19/2004

# 127300

REF. NO.	PART NO.	DESCRIPTION	REF. NO.	PART NO.	DESCRIPTION	REF. NO.	PART NO.	DESCRIPTION
1	699505	Cylinder Assembly	20	★692550	Seal–Oil (PTO Side)	45	690977	Tappet–Valve
2	399269	Kit–Bushing/Seal (Magneto Side)	20A	★694171	Seal–Oil (PTO Side)	46	693404	Camshaft
3	★299819	Seal–Oil (Magneto Side)	21	281658	Cap–Oil Fill	51★◆◇	◇692555	Gasket–Intake
5	699486	Head–Cylinder	22	699478	Screw (Crankcase Cover/ Sump)	55	691422	Housing–Rewind Starter
7	★◇698210	Gasket–Cylinder Head	23	699488	Flywheel	58	693389	Rope–Starter (Cut to Required Length)
11	692600	Tube–Breather (Flat Panel Air Cleaner)	23A	699514	Flywheel Used on Type No(s). 0169.	59	490653	Grip–Insert
11A	693647	Tube–Breather (High Mount Air Cleaner)	24	222698	Key–Flywheel	60	490652	Grip–Starter Rope (2 Piece)
12	★699485	Gasket–Crankcase	25	499627	Piston Assembly (Standard)	65	699228	Screw (Rewind Starter)
13	699482	Screw (Cylinder Head)			<b>Note</b>	78	699205	Screw (Flywheel Guard)
15	691686	Plug–Oil Drain (Square Head)			692789	79	694511	Case–Gear Reduction
15A	691682	Plug–Oil Drain (Flush)	26	499631	Ring Set (Standard)	82	690369	Screw (Gear Reduction Case)
16	699443	Crankshaft			<b>Note</b>	82A	790197	Screw (Gear Reduction Case)
		<b>Note</b>			692786	83	690374	Shaft–Auxiliary Drive
		699451	27	691866	Lock–Piston Pin	84	691121	Plug–Breather
		Used on Type No(s). 0111, 0131, 0154, 0171, 0173.	28	499423	Pin–Piston	85	692551	Screw (Gear Cover to Gear Reduction)
		699442	29	690124	Rod–Connecting	86	690608	Cover–Gear
		Used on Type No(s). 0138, 0169, 0170.	30	692562	Dipper–Connecting Rod	87	691582	Seal–Gear Reduction
		699441	32	691664	Screw (Connecting Rod)	88	691600	Gasket–Gear Reduction Cover
		Used on Type No(s). 0141, 0161.	32A	695759	Screw (Connecting Rod)	95	691636	Screw (Throttle Valve)
		699444	33	499642	Valve–Exhaust	97	690024	Shaft–Throttle
		Used on Type No(s). 0049, 0134, 0139, 0152, 0163.	34	499641	Valve–Intake	98	398185	Kit–Idle Speed (Carburetor)
17	692517	Bearing–Ball	35	691304	Spring–Valve (Intake)	104	◆691242	Pin–Float Hinge
18	699804	Cover–Crankcase	36	691304	Spring–Valve (Exhaust)	108	692567	Valve–Choke
18A	699672	Cover–Crankcase	37	699661	Guard–Flywheel			<b>Note</b>
18B	699761	Cover–Crankcase	40	692194	Retainer–Valve			699111
								Valve–Choke Used on Type No(s). 0138.

★ Included in Engine Gasket Set–Ref. No.358.

● Included in Carburetor Overhaul Kit–Ref. No. 121.

◆ Included in Carburetor Gasket Set–Ref. No. 977.

◇ Included in Valve Gasket Set–Ref. No 1095.

*Illustrations cover a range of engines. Parts shown without corresponding text may not be used on your specific engine.*

5720–8

Assemblies include all parts shown in frames.

10/19/2004



REF. NO.	PART NO.	DESCRIPTION	REF. NO.	PART NO.	DESCRIPTION	REF. NO.	PART NO.	DESCRIPTION
109	690023	Shaft-Choke	127	●691739	Plug-Welch	190	699220	Screw (Fuel Tank)
109A	693628	Shaft-Choke			<b>Note</b>	192	694543	Adjustor-Rocker Arm
117	697355	Jet-Main (Standard)			694468 Plug-Welch Used on Type No(s). 0169, 0170.	209	692571	Spring-Governor
		<b>Note</b>						<b>Note</b>
	498976	Jet-Main (Standard) Used on Type No(s). 0169, 0170.	127A	691585	Plug-Welch		693206	Spring-Governor Used on Type No(s). 0111, 0125, 0141.
	498975	Jet-Main (Standard) Used on Type No(s). 0138.	130	691181	Valve-Throttle	209A	691278	Spring-Governor
118	494870	Jet-Main (High Altitude)	130A	691203	Valve-Throttle Used on Type No(s). 0138, 0169, 0170.	219	693578	Gear-Governor
		<b>Note</b>	133	398187	Float-Carburetor	220	691724	Washer (Governor Gear)
	694975	Jet-Main (High Altitude) Used on Type No(s). 0169, 0170.	134	●398188	Kit-Needle/Seat	222	699589	Bracket-Control
		<b>Note</b>	137	●693981	Gasket-Float Bowl	222A	699493	Bracket-Control
	497466	Jet-Main (High Altitude) Used on Type No(s). 0138.	146	690979	Key-Timing			<b>Note</b>
121	696998	Kit-Carburetor Overhaul	155	★698214	Plate-Cylinder Head		699590	Bracket-Control Used on Type No(s). 0138.
122	★●693749	Spacer-Carburetor	161	699207	Base-Air Cleaner (Flat Panel Air Cleaner)	227	692573	Lever-Governor Control
125	697354	Carburetor			<b>Note</b>	238	691300	Valve-Cap
		<b>Note</b>			699504 Base-Air Cleaner (Flat Panel Air Cleaner) Used on Type No(s). 0169, 0170.	240	298090	Filter-Fuel
	698860	Carburetor Used on Type No(s). 0169, 0170.	163	★●696024	Gasket-Air Cleaner (Flat Panel Air Cleaner)	265	691024	Clamp-Casing
	698859	Carburetor Used on Type No(s). 0138.	163A	★●696979	Gasket-Air Cleaner (High Mount Air Cleaner)	267	699492	Screw (Casing Clamp)
	697028	Carburetor Used on Type No(s). 0134, 0157.	186	692317	Connector-Hose	268	691025	Casing-Control Wire (72" Long) (Cut to Required Length)
			187	691050	Line-Fuel (Cut to Required Length)	269	691026	Wire-Control (78" Long) (Cut to Required Length)
			187A	692601	Line-Fuel (Molded)	270	691027	Nut (Control Wire Casing)
			188	699479	Screw (Control Bracket)	271	691028	Lever-Control
						271A	694256	Lever-Control

★ Included in Engine Gasket Set-Ref. No.358.

● Included in Carburetor Overhaul Kit-Ref. No. 121.

◆ Included in Carburetor Gasket Set-Ref. No. 977.

∅ Included in Valve Gasket Set-Ref. No 1095.

**Illustrations cover a range of engines. Parts shown without corresponding text may not be used on your specific engine.**

# 127300

REF. NO.	PART NO.	DESCRIPTION	REF. NO.	PART NO.	DESCRIPTION	REF. NO.	PART NO.	DESCRIPTION
276	●271716	Washer–Sealing	363	19069	Puller–Flywheel	608	693394	Starter–Rewind
281	699639	Panel–Control	364	695693	Terminal–Oil Plug	613	699209	Screw (Muffler)
286	698611	Module–Oil Sensor	365	699484	Screw (Carburetor)	613A	699230	Screw (Muffler)
287	699629	Screw (Dipstick Tube)	383	19374	Wrench–Spark Plug	613B	697812	Screw (Muffler)
300	693593	Muffler	415	693463	Plug	615	692576	Retainer–Governor Shaft
300A	699231	Muffler	425	699208	Screw (Air Cleaner Cover)	616	692547	Crank–Governor
304	699598	Housing–Blower	427	694255	Nut (Control Bracket)	619	699230	Screw (Cylinder Head Plate)
305	699480	Screw (Blower Housing)	445	491588	Filter–Air Cleaner Cartridge (Flat Panel)	621	692310	Switch–Stop
306	693610	Shield–Cylinder	445A	697029	Filter–Air Cleaner Cartridge (High Mount)	632	693408	Spring/Link– Mechanical Governor
307	699483	Screw (Cylinder Shield)	455	692591	Cup–Flywheel	633	●●693867	Seal–Choke/Throttle Shaft
309	694504	Motor–Starter	456	692299	Plate–Pawl Friction	633A	●●691321	Seal–Choke/Throttle Shaft
310	690323	Screw (Starter Motor)	459	281505	Pawl–Ratchet	635	692076	Boot–Spark Plug
311	497608	Brush Set	467	691668	Knob–Air Cleaner	635A	692927	Boot–Spark Plug
332	699359	Nut (Flywheel)	474	694457	Alternator	643	696264	Retainer–Air Filter
333	695711	Armature–Magneto	504	694254	Washer Set–Friction	652	699755	Screw (Support Bracket)
334	699477	Screw (Magneto Armature)	505	691251	Nut (Governor Control Lever)	652A	699230	Screw (Support Bracket)
337	691043	Plug–Spark	510	499308	Drive–Starter	663	699206	Screw (Control Panel)
		<b>Note</b> _____	513	692024	Drive–Clutch	668	694257	Spacer
		491055 Plug–Spark	523	693618	Dipstick	675	691261	Washer (Brush Retainer)
		Used on Type No(s).	524	281370	Seal–Dipstick Tube	676	393757	Deflector–Muffler
		0036, 0111, 0125,	524	281370	Seal–Dipstick Tube	676A	697816	Deflector–Muffler
		0131, 0135, 0139,	544	692966	Armaturel–Starter	677	690661	Screw (Muffler Deflector)
		0152, 0157.	535	696263	Filter–Air Cleaner Foam	677A	699776	Screw (Muffler Deflector)
346	690661	Screw (Spark Arrester)	552	692346	Bushing–Governor Crank	689	691855	Spring–Friction
347	697854	Switch–Rocker	562	691119	Bolt (Governor Control Lever)	692	690572	Spring–Detent
		<b>Note</b> _____	578	692306	Wire Assembly	697	699773	Screw (Drive Cap)
		698338 Switch–Rocker	597	691696	Screw (Pawl Friction Plate)	717	693462	Bracket–Air Cleaner
		Used on Type No(s).	601	95162	Clamp–Hose			
		0139, 0154, 0156, 0171.						
356	693651	Wire–Stop						
356A	692390	Wire–Stop						
356B	692602	Wire–Stop						
356C	695630	Wire–Stop						
358	699638	Gasket Set–Engine						

★ Included in Engine Gasket Set–Ref. No.358.

● Included in Carburetor Overhaul Kit–Ref. No. 121.

◆ Included in Carburetor Gasket Set–Ref. No. 977.

∅ Included in Valve Gasket Set–Ref. No. 1095.

*Illustrations cover a range of engines. Parts shown without corresponding text may not be used on your specific engine.*

5720–10

Assemblies include all parts shown in frames.

10/19/2004

REF. NO.	PART NO.	DESCRIPTION	REF. NO.	PART NO.	DESCRIPTION	REF. NO.	PART NO.	DESCRIPTION
718	690959	Pin—Locating	868	★ <del>692044</del>	Seal—Valve	1005	692592	Fan—Flywheel
727	698039	Cover—Starter Drive	875	697030	Base—Air Cleaner (High Mount)	1019	694852	Kit—Label
732	699200	Screw (Starter Drive Cover)	883	★691893	Gasket—Exhaust	1022	★ <del>691890</del>	Gasket—Rocker Cover
741	695087	Gear—Timing	883A	★692237	Gasket—Exhaust	1023	499924	Cover—Rocker Arm
742	692564	Retainer—E Ring	890	790203	Bracket—Support	1026	790287	Rod—Push
746	692566	Gear—Idler	914	699481	Screw (Rocker Cover) (Bottom)	1029	691230	Arm—Rocker
773	694258	Retainer	914A	692557	Screw (Rocker Cover) (Top)	1034	691343	Guide—Push Rod
783	692353	Gear—Pinion	914B	697551	Screw (Rocker Cover) (Center)	1036	790634	Label—Emission (Used After Code Date 04063000).
797	691029	Nut (Brush Retainer)	957	694261	Cap—Fuel Tank	————— <b>Note</b> —————		
799	699202	Screw (Oil Sensor)	958	698180	Valve—Fuel Shut Off	699946	Label— Emission (Used Before Code Date 04070100 and After Code Date 03093000).	
801	694482	Cap—Drive	961	698304	Screw (Air Cleaner Bracket)	697004	Label— Emission (Used Before Code Date 03100100).	
802	691286	Cap—End	967	493537	Filter—Pre Cleaner (Flat Panel)	1051	691265	Ring—Retaining
803	693757	Housing—Starter	967A	273356	Filter—Pre Cleaner (High Mount)	1052	698674	Sensor—Oil
819	699233	Screw (Muffler Bracket)	968	692584	Cover—Air Cleaner (Flat Panel Air Cleaner)	1054	280275	Cable—Tie
823	699209	Screw (Muffler Adapter)	968A	693460	Cover—Air Cleaner (High Mount)	1058	275092	Owner's Manual
830	694544	Stud—Rocker Arm	971	690370	Screw (Air Cleaner Base)	1070	699201	Screw (Flywheel Fan)
832	693583	Guard—Muffler	971A	690349	Screw (Air Cleaner Base)	1090	691293	Retainer—Brush
832A	697818	Guard—Muffler	971B	699629	Screw (Air Cleaner Base)	1095	698215	Gasket Set—Valve
832B	696516	Guard—Muffler	972	694260	Tank—Fuel	1119	699772	Screw (Alternator)
836	699203	Screw (Muffler Guard)	975	493640	Bowl—Float	1210	498144	Pulley/Spring Assem- bly (Pulley)
836A	699632	Screw (Muffler Guard)	977	697001	Gasket Set—Carburetor	1211	498144	Pulley/Spring Assem- bly (Spring)
836B	699209	Screw (Muffler Guard)	993	∅694088	Gasket—Cylinder Head Plate	1305	699691	Screw (Oil Sensor Module)
836C	699234	Screw (Muffler Guard)	994	399541	Arrester—Spark	1330	272147	Repair Manual
836D	699204	Screw (Muffler Guard)						
842	691031	Seal—O Ring (Dipstick Tube)						
847	693617	Dipstick/Tube Assembly						
851	493880	Terminal—Spark Plug						
863	699229	Bracket—Muffler						
864	699232	Adapter—Muffler						

★ Included in Engine Gasket Set—Ref. No.358.

● Included in Carburetor Overhaul Kit—Ref. No. 121.

◆ Included in Carburetor Gasket Set—Ref. No. 977.

∅ Included in Valve Gasket Set—Ref. No 1095.

*Illustrations cover a range of engines. Parts shown without corresponding text may not be used on your specific engine.*