

**128400**

# Illustrated Parts List

## Model Series

# 128400

TYPE NUMBERS  
0035 through 0132.

For Use On Engines Built Before Date Code – 01091100

### TABLE OF CONTENTS

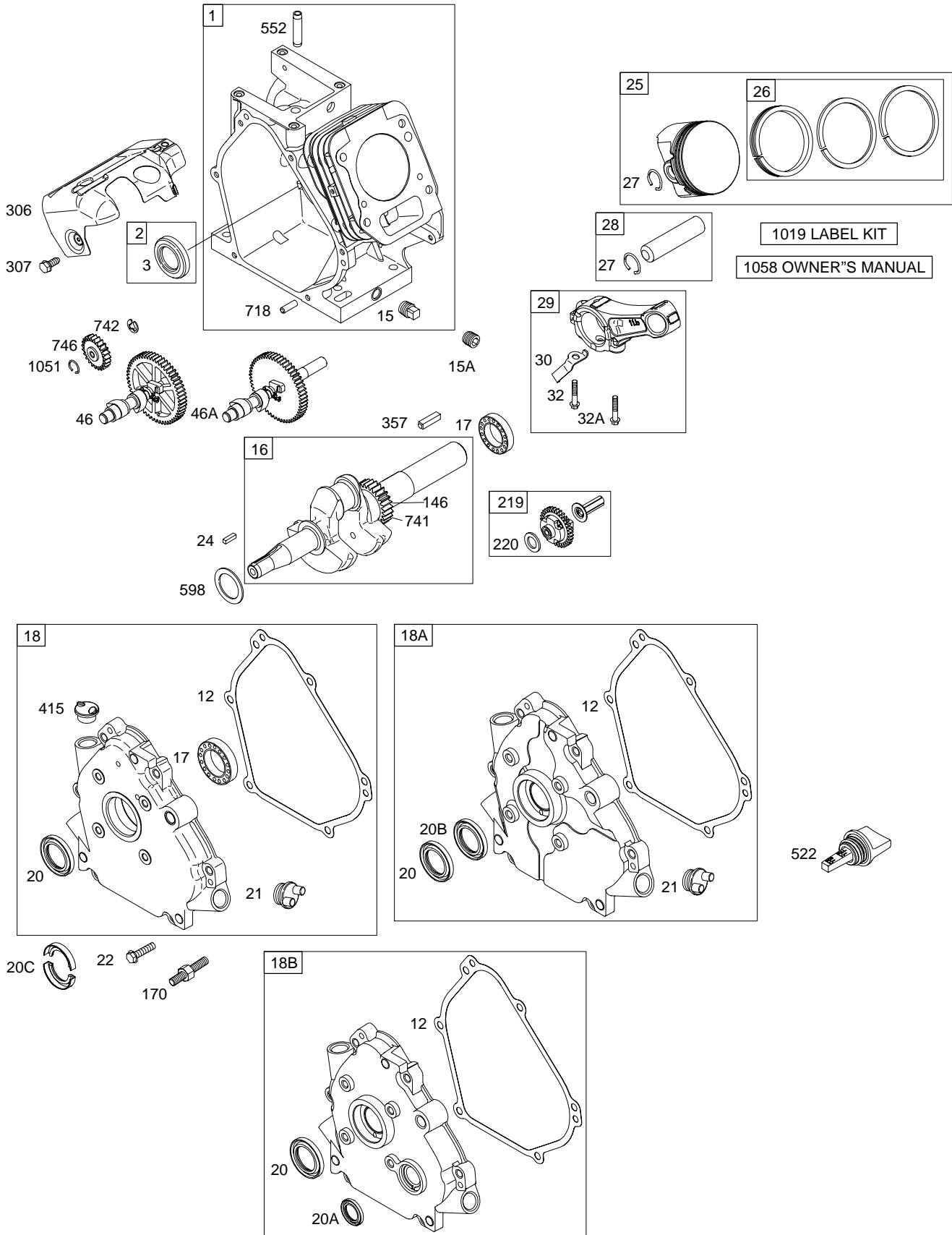
|                                 |   |
|---------------------------------|---|
| Air Cleaner .....               | 6 |
| Blower Housing/Shrouds .....    | 7 |
| Cams .....                      | 2 |
| Carburetor .....                | 4 |
| Controls .....                  | 5 |
| Crankcase Cover/Sump .....      | 2 |
| Crankshaft .....                | 2 |
| Cylinder .....                  | 2 |
| Electric Starter .....          | 8 |
| Flywheel .....                  | 7 |
| Fuel Tank .....                 | 4 |
| Gear Reducer .....              | 8 |
| Governor Spring .....           | 5 |
| Head .....                      | 3 |
| Ignition .....                  | 5 |
| Kits/Gaskets – Carburetor ..... | 9 |
| Kits/Gaskets – Engine .....     | 9 |
| Muffler .....                   | 6 |
| Oil .....                       | 8 |
| Piston Group .....              | 2 |
| Rewind .....                    | 7 |
| Valves .....                    | 3 |



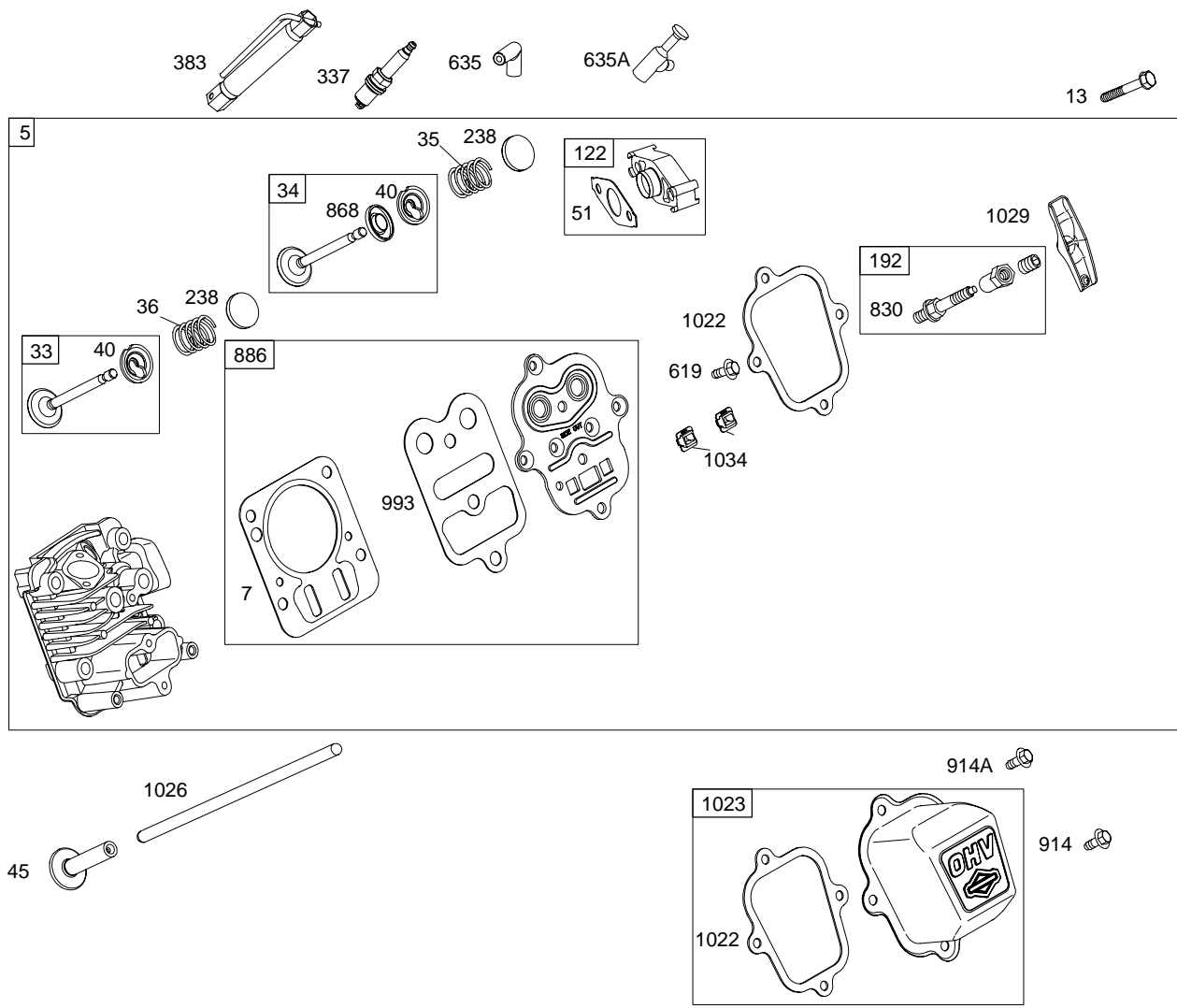
PRINTED IN U.S.A.

COPYRIGHT by BRIGGS & STRATTON CORPORATION  
All rights reserved. No part of this material may be reproduced or transmitted, in any form or by any means, electronic or mechanical, including photocopying, recording or by any information storage and retrieval system, without permission in writing from Briggs & Stratton Corporation.

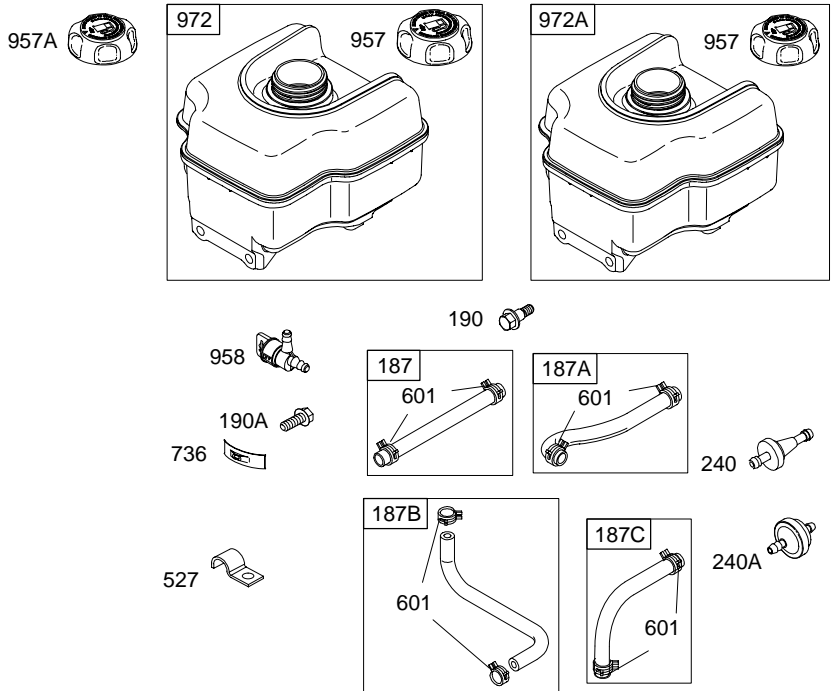
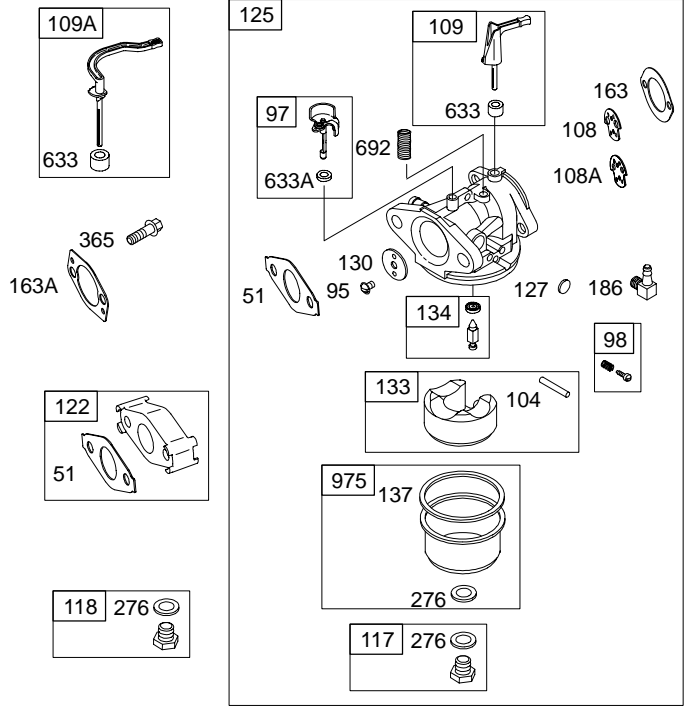
# 128400



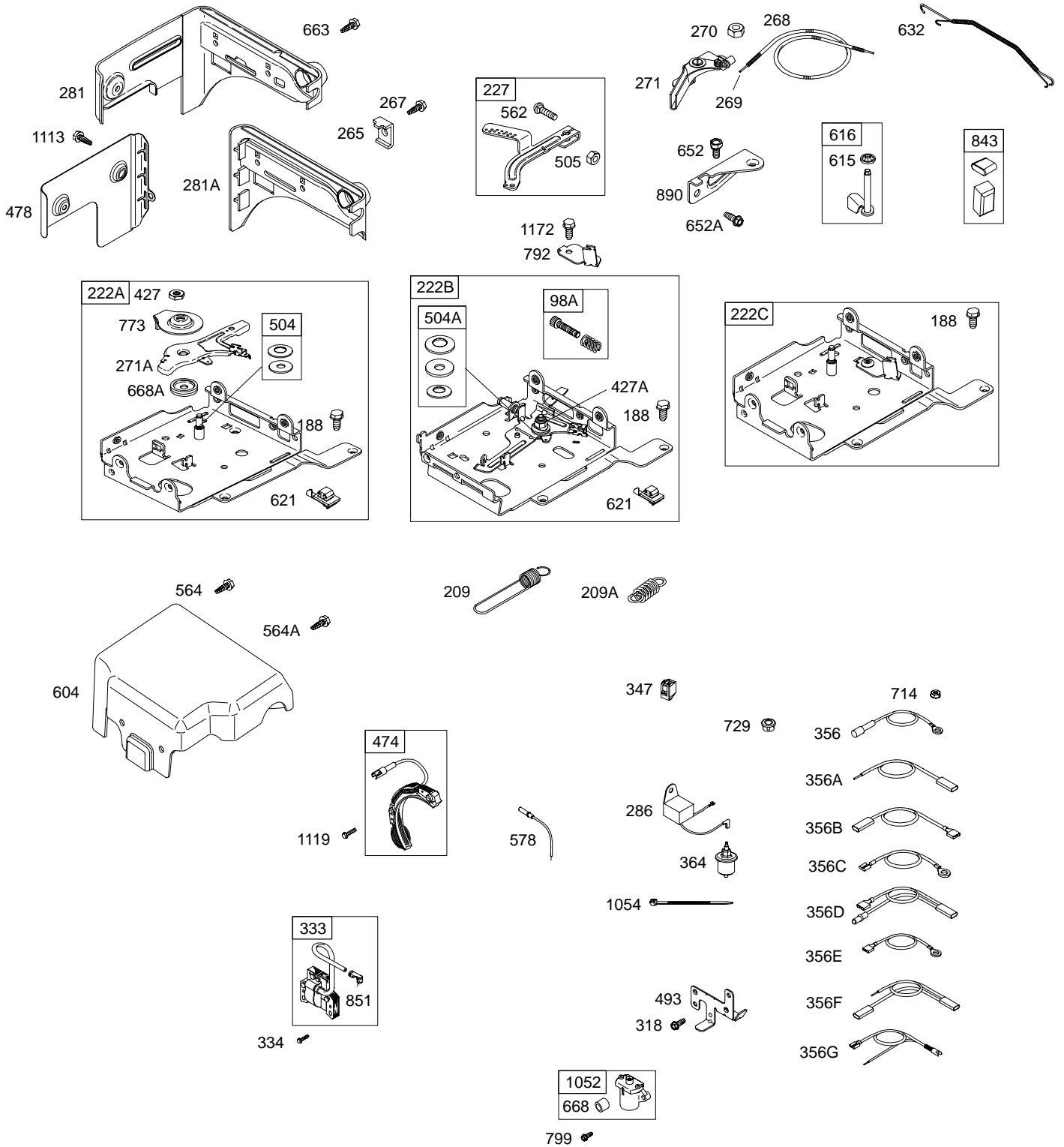
**Illustrations cover a range of engines. Parts shown without corresponding text may not be used on your specific engine.**  
 5041-2 Assemblies include all parts shown in frames. 4C-10/2001



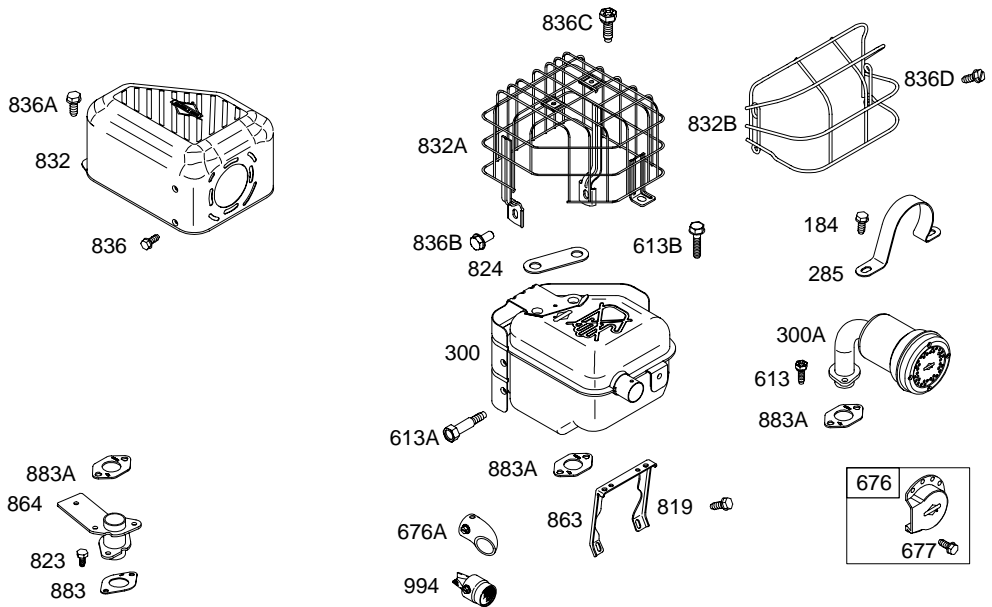
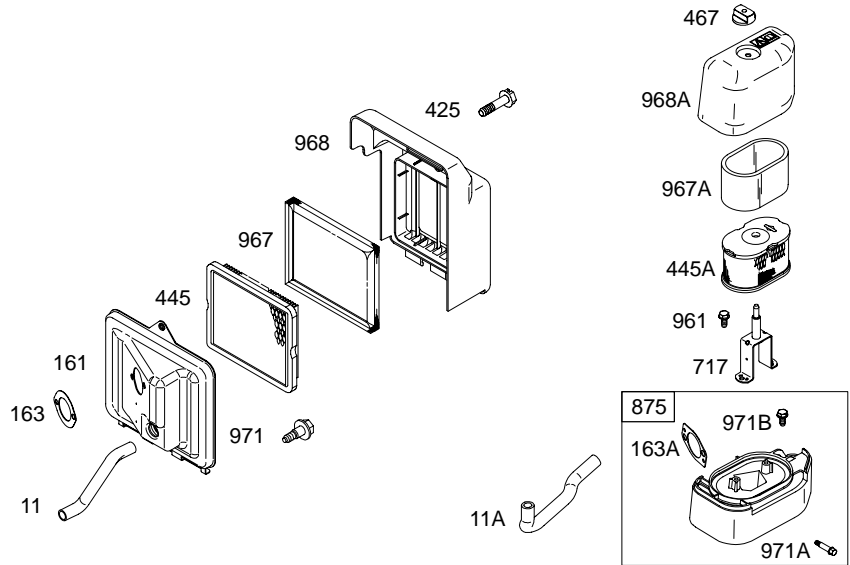
Illustrations cover a range of engines. Parts shown without corresponding text may not be used on your specific engine.  
 5041-3 Assemblies include all parts shown in frames. 4C-10/2001



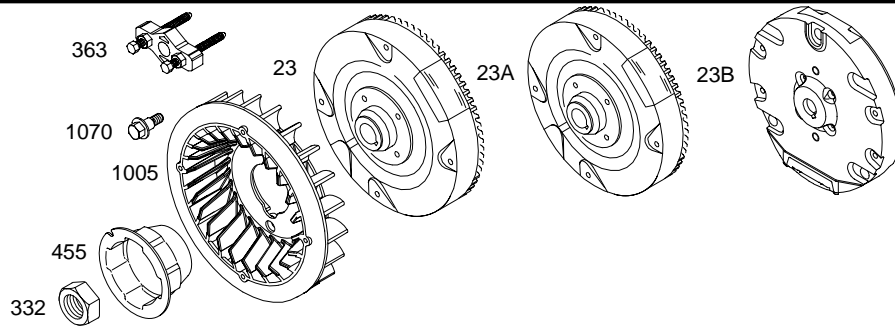
**Illustrations cover a range of engines. Parts shown without corresponding text may not be used on your specific engine.**  
**5041-4** Assemblies include all parts shown in frames. **4C-10/2001**



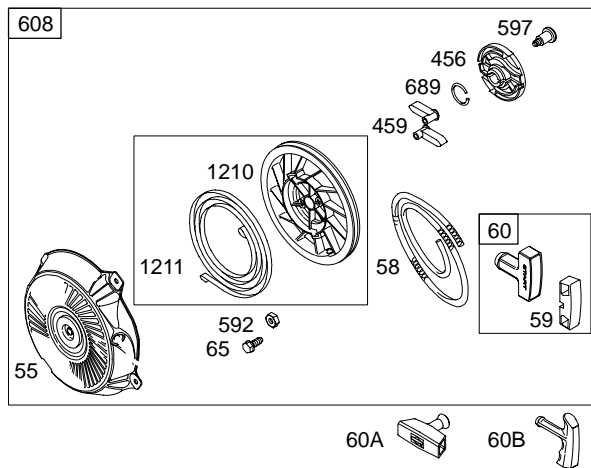
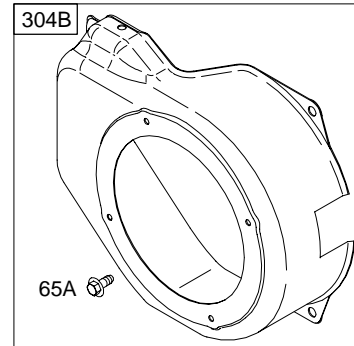
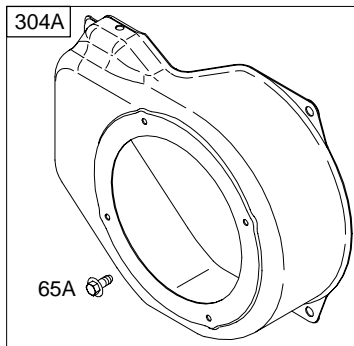
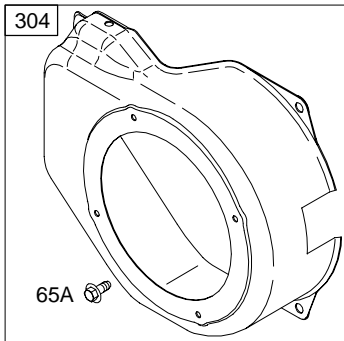
Illustrations cover a range of engines. Parts shown without corresponding text may not be used on your specific engine.  
 5041-5 Assemblies include all parts shown in frames. 4C-10/2001

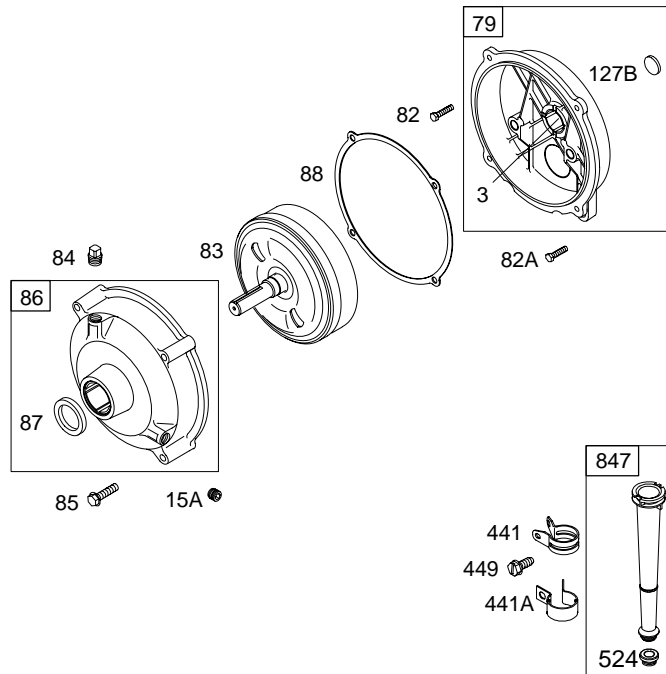
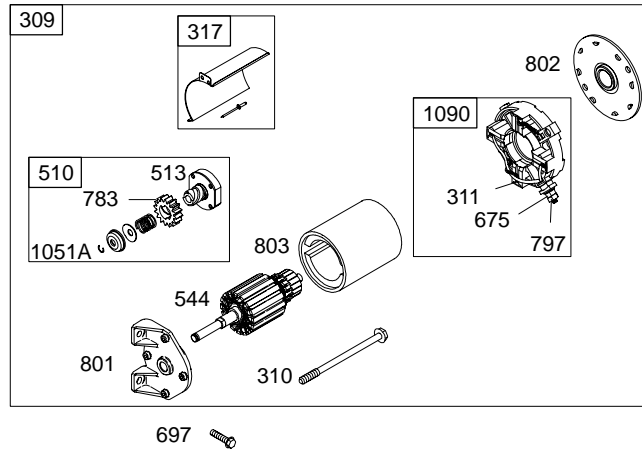


Illustrations cover a range of engines. Parts shown without corresponding text may not be used on your specific engine.  
 5041-6 Assemblies include all parts shown in frames. 4C-10/2001



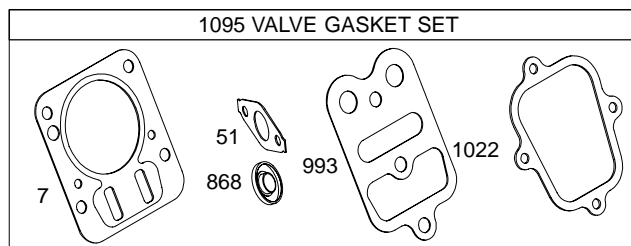
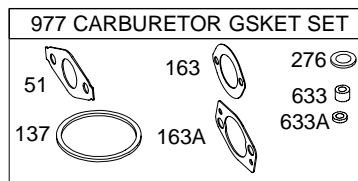
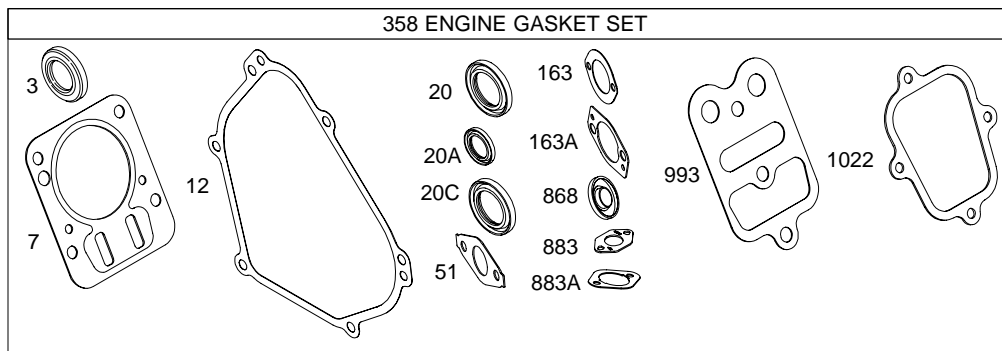
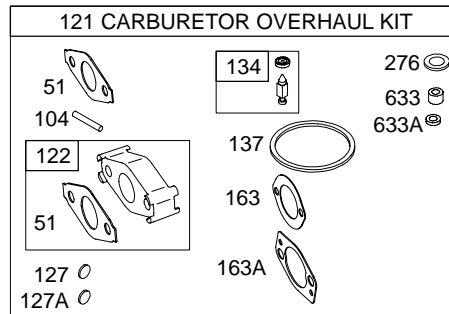
1036 EMISSION LABEL





*Illustrations cover a range of engines. Parts shown without corresponding text may not be used on your specific engine.*





Illustrations cover a range of engines. Parts shown without corresponding text may not be used on your specific engine.

# 128400

| REF. NO. | PART NO. | DESCRIPTION   | REF. NO. | PART NO.  | DESCRIPTION                | REF. NO. | PART NO. | DESCRIPTION                               |
|----------|----------|---|----------|-----------|----------------------------|----------|----------|---|
| 1        | 690045   | Cylinder Assembly   | 25       | 499627    | Piston Assembly (Standard) | 58       | 693389   | Rope-Starter (Cut To Required Length)     |
| 2        | 399269   | Kit-Bushing/Seal  |          |           | <b>Note</b>                | 59       | 805957   | Insert-Grip                               |
| 3        | ★299819  | Seal-Oil (Magneto Side)                                     |          |           | 692788                     | 692788   | 692788   | Piston Assembly (.010" Oversize)          |
| 5        | 693643   | Head-Cylinder   |          |           | 692789                     | 692789   | 692789   | Piston Assembly (.020" Oversize)          |
| 7        | ★∅695166 | Gasket-Cylinder Head  |          |           | 692790                     | 692790   | 692790   | Piston Assembly (.030" Oversize)          |
| 11A      | 693647   | Tube-Breather (High Mount Air Cleaner)                      | 26       | 499631    | Ring Set (Standard)        | 65       | 690837   | Screw (Rewind Starter)                    |
| 12       | ★692549  | Gasket-Crankcase  |          |           | <b>Note</b>                | 65A      | 692608   | Screw (Rewind Starter)                    |
| 13       | 691137   | Screw (Cylinder Head)                                       |          |           | 692785                     | 692785   | 692785   | Ring Set (.010" Oversize)                 |
| 15       | 691686   | Plug-Oil Drain (Square Head)                                |          |           | 692786                     | 692786   | 692786   | Ring Set (.020" Oversize)                 |
| 15A      | 691682   | Plug-Oil Drain (Flush)                                      |          |           | 692787                     | 692787   | 692787   | Ring Set (.030" Oversize)                 |
| 16       | 693403   | Crankshaft  | 27       | 691866    | Lock-Piston Pin            | 67A      | 691122   | Screw (Gear Reduction Case) (1 1/2" Long) |
|          |          | <b>Note</b>   | 28       | 499423    | Pin-Piston                 | 83       | 690374   | Shaft-Auxiliary Drive                     |
|          |          | 693594  | 29       | 690124    | Rod-Connecting             | 84       | 691121   | Plug-Breather (Gear Reduction)            |
|          |          | Used on Type No(s). 0035.                                   | 30       | 692562    | Dipper-Connecting Rod      | 85       | 692551   | Screw (Gear Cover To Gear Reduction Case) |
|          |          | 694439  | 32       | 691664    | Screw (Connecting Rod)     | 86       | 690608   | Cover-Gear                                |
|          |          | Used on Type No(s). 0049.                                   | 32A      | 695759    | Screw (Connecting Rod)     | 87       | 691582   | Seal-Gear Reduction                       |
| 17       | 692517   | Bearing-Ball  | 33       | 499642    | Valve-Exhaust              | 88       | 691600   | Gasket-Gear Reduction Cover               |
| 18       | 693605   | Cover-Crankcase Used on Type No(s). 0035, 0036, 0116, 0132. | 34       | 499641    | Valve-Intake               | 95       | 691636   | Screw (Throttle Valve)                    |
| 18A      | 693204   | Cover-Crankcase Used on Type No(s). 0049.                   | 35       | 691304    | Spring-Valve (Intake)      | 97       | 690024   | Shaft-Throttle                            |
| 20       | ★692550  | Seal-Oil (PTO Side)   | 36       | 691304    | Spring-Valve (Exhaust)     | 98       | 398185   | Kit-Idle Speed (Carburetor)               |
| 21       | 281658   | Cap-Oil Fill  | 40       | 692194    | Retainer-Valve             | 104      | ●691242  | Pin-Float Hinge                           |
| 22       | 692551   | Screw (Crankcase Cover/Sump)                                | 45       | 690977    | Tappet-Valve               | 108      | 692567   | Valve-Choke                               |
| 23B      | 692987   | Flywheel (Used With Rewind Starter Only)                    | 46       | 693404    | Camshaft                   | 109A     | 693628   | Shaft-Choke                               |
| 24       | 222698   | Key-Flywheel  | 51       | ★◆∅692555 | Gasket-Intake (2 Required) | 117      | 498978   | Jet-Main (Standard)                       |
|          |          |   | 55       | 691422    | Housing-Rewind Starter     | 118      | 497466   | Jet-Main (High Altitude)                  |
|          |          |   |          |           |                            | 121      | 695157   | Kit-Carburetor Overhaul                   |
|          |          |   |          |           |                            | 122      | ●693749  | Spacer-Carburetor                         |
|          |          |   |          |           |                            | 125      | 697028   | Carburetor                                |
|          |          |   |          |           |                            | 127      | ●691739  | Plug-Welch (5/16" Diameter)               |
|          |          |   |          |           |                            | 127B     | 691585   | Plug-Welch (7/8" Diameter)                |

★ Included in Engine Gasket Set-Ref. No.358.

● Included in Carburetor Overhaul Kit-Ref. No. 121.

◆ Included in Carburetor Gasket Set-Ref. No. 977.

∅ Included in Valve Gasket Set-Ref. No 1095.

*Illustrations cover a range of engines. Parts shown without corresponding text may not be used on your specific engine.*

| REF. NO. | PART NO. | DESCRIPTION   | REF. NO. | PART NO. | DESCRIPTION  | REF. NO. | PART NO. | DESCRIPTION  |
|----------|----------|---|----------|----------|--|----------|----------|--|
| 130      | 691181   | Valve-Throttle  | 269      | 691026   | Wire-Control<br>(Cut To Required Length)   | 356C     | 695630   | Wire-Stop<br>(1 Wire, 6-1/2" Long)(Push-On Female Blade Terminal, And Ring Terminal) |
| 133      | 398187   | Float-Carburetor  | 270      | 691027   | Nut<br>(Control Wire Casing)   | 358      | 695155   | Gasket Set-Engine  |
| 134      | ●398188  | Kit-Needle/Seat   | 271      | 691028   | Lever-Control  | 363      | 19069    | Flywheel Puller  |
| 137      | ●◆693981 | Gasket-Float Bowl   | 271A     | 694256   | Lever-Control<br>(Control Bracket)   | 364      | 695693   | Terminal-Oil Plug  |
| 146      | 690979   | Key-Timing  | 276      | ◆271716  | Washer-Sealing   | 365      | 692568   | Screw<br>(Carburetor)  |
| 163A     | ◆◆696979 | Gasket-Air Cleaner<br>(High Mount Air Cleaner)                  | 281      | 694252   | Panel-Control  | 383      | 19374    | Wrench-Sparkplug   |
| 186      | 692317   | Connector-Hose  | 286      | 696784   | Module-Oil Sensor  | 415      | 693463   | Plug<br>(Crankcase Cover)  |
| 187      | 691050   | Line-Fuel<br>(Cut To Required Length)                           | 300      | 694429   | Muffler<br>(Super Lo Tone)   | 427      | 694255   | Nut<br>(Control Bracket)   |
| 187A     | 694489   | Line-Fuel<br>(Molded)   | 304A     | 693621   | Housing-Blower<br>(Rewind In 1:30 Position)  | 441      | 694262   | Bracket-Oil Fill   |
| 188      | 690877   | Screw<br>(Control Bracket)                                      | 305      | 690960   | Screw<br>(Blower Housing)  | 445A     | 697029   | Filter-Air Cleaner<br>Cartridge<br>(High Mount)                                      |
| 190      | 692127   | Screw<br>(Fuel Tank)  | 306      | 693610   | Shield-Cylinder  | 449      | 691693   | Screw<br>(Oil Fill Bracket)  |
| 192      | 694543   | Adjustor-Rocker Arm   | 307      | 690345   | Screw<br>(Cylinder Shield)   | 455      | 692591   | Cup-Flywheel   |
| 209      | 692571   | Spring-Governor<br>(Silver)                                     | 318      | 693609   | Screw<br>(Mounting Bracket)  | 456      | 692299   | Plate-Pawl Friction  |
|          |          | <b>Note</b>   | 332      | 690662   | Nut<br>(Flywheel)  | 459      | 281505   | Pawl-Ratchet   |
|          |          | 693206 Spring-Governor<br>(Yellow)<br>Used on Type No(s). 0035. | 333      | 695711   | Armature-Magneto   | 467      | 691668   | Knob-Air Cleaner   |
|          |          | 693710 Spring-Governor<br>(Black)<br>Used on Type No(s). 0132.  | 334      | 691061   | Screw<br>(Magneto Armature)  | 493      | 693599   | Bracket-Mounting<br>(Oil Sensor)   |
| 209A     | 691278   | Spring-Governor   | 337      | 491055   | Plug-Spark   | 504      | 694254   | Washer Set-Friction  |
| 219      | 693578   | Gear-Governor   | 347      | 696213   | Switch-Rocker<br>(Without Light)   | 505      | 691251   | Nut<br>(Governor Control Lever)  |
| 220      | 691724   | Washer<br>(Governor Gear)                                       | 356      | 693650   | Wire-Stop<br>(1 Wire, 17" Long)<br>(Snap Connect Insulated Female Blade Terminal, And Ring Terminal)                       | 523      | 693618   | Dipstick   |
| 222A     | 694253   | Bracket-Control   | 356B     | 692602   | Wire-Stop<br>(1 Wire, 14" Long)<br>(Snap Connect Insulated Female Blade Terminal, Insulated Push-On Female Blade Terminal) | 524      | 281370   | Seal-Dipstick Tube   |
| 227      | 692573   | Lever-Governor<br>Control                                       |          |          |  | 552      | 692346   | Bushing-Governor<br>Crank  |
| 238      | 691300   | Cap-Valve   |          |          |  | 562      | 691112   | Bolt<br>(Governor Control Lever)   |
| 265      | 691024   | Clamp-Casing  |          |          |  | 592      | 690800   | Nut<br>(Rewind Starter)  |
| 267      | 692577   | Screw<br>(Casing Clamp)   |          |          |  | 597      | 691696   | Screw<br>(Pawl Friction Plate)   |
| 268      | 691025   | Casing-Control Wire<br>(Cut To Required Length)                 |          |          |  | 598      | 220624   | Shim-End Play  |
|          |          |   |          |          |  | 601      | 95162    | Clamp-Hose   |
|          |          |   |          |          |  | 608      | 693394   | Starter-Rewind   |

★ Included in Engine Gasket Set-Ref. No.358.

● Included in Carburetor Overhaul Kit-Ref. No. 121.

◆ Included in Carburetor Gasket Set-Ref. No. 977.

⊘ Included in Valve Gasket Set-Ref. No 1095.

**Illustrations cover a range of engines. Parts shown without corresponding text may not be used on your specific engine.**

# 128400

| REF. NO. | PART NO. | DESCRIPTION                            | REF. NO. | PART NO. | DESCRIPTION                                       | REF. NO. | PART NO. | DESCRIPTION                                      |
|----------|----------|--|----------|----------|---|----------|----------|--|
| 613A     | 694460   | Screw<br>(Muffler)<br>(Shoulder Screw) | 819      | 691685   | Screw<br>(Muffler Bracket)                        | 968A     | 693460   | Cover–Air Cleaner<br>(High Mount Air<br>Cleaner) |
| 613B     | 691108   | Screw<br>(Muffler)                     | 823      | 691665   | Screw<br>(Muffler Adapter)                        | 971A     | 690349   | Screw<br>(Air Cleaner Base<br>To Carburetor)     |
| 615      | 692576   | Retainer–Governor<br>Shaft             | 824      | 696017   | Gasket–Heat shield                                |          |          | (High Mount Air<br>Cleaner)                      |
| 616      | 692547   | Crank–Governor                         | 830      | 694544   | Stud<br>(Rocker Arm)                              | 971B     | 691693   | Screw<br>(Air Cleaner Base<br>To Carburetor)     |
| 619      | 691108   | Screw<br>(Cylinder Head Plate)         | 832A     | 694459   | Guard–Muffler                                     |          |          | (High Mount Air<br>Cleaner)                      |
| 621      | 692310   | Switch–Stop                            | 836B     | 691665   | Screw<br>(Muffler Guard)                          |          |          |  |
| 632      | 693408   | Spring/Link–<br>Mechanical Governor    | 836C     | 691003   | Screw<br>(Muffler Guard)                          |          |          |  |
| 633      | ◆693867  | Seal–Choke/Throttle<br>Shaft           | 842      | 691031   | Seal–O Ring<br>(Dipstick Tube)                    |          |          |  |
| 633A     | ◆691321  | Seal–Choke/Throttle<br>Shaft           | 847      | 693617   | Dipstick/Tube<br>Assembly                         | 972      | 694260   | Tank–Fuel  |
| 635A     | 692927   | Boot–Sparkplug                         | 851      | 493880   | Terminal–Sparkplug                                | 975      | 493640   | Bowl–Float                                       |
| 663      | 694593   | Screw<br>(Control Panel)               | 863      | 692596   | Bracket–Muffler                                   | 977      | 695156   | Gasket Set–Carburetor                            |
| 668      | 693604   | Spacer<br>(Oil Sensor)                 | 864      | 694430   | Adapter–Muffler                                   | 993      | ★Ø694088 | Gasket–Cylinder Head<br>Plate                    |
| 668A     | 694257   | Spacer<br>(Control Bracket)            | 868      | ★Ø692044 | Seal–Valve  | 1005     | 692592   | Fan–Flywheel                                     |
| 689      | 691855   | Spring–Friction<br>(Rewind Starter)    | 875      | 697030   | Base–Air Cleaner                                  | 1019     | 694852   | Kit–Label  |
| 692      | 690572   | Spring–Detent<br>(Carburetor)          | 883      | 692237   | Gasket–Exhaust<br>(Adapter To Muffler)            | 1022     | ★Ø691890 | Gasket–Rocker Cover                              |
| 717      | 693462   | Bracket–Air Cleaner                    | 883A     | 691893   | Gasket–Exhaust<br>(Adapter To Cylinder)           | 1023     | 499924   | Cover–Rocker Arm                                 |
| 718      | 690959   | Pin–Locating                           | 886      | 696268   | Gasket Kit–Cylinder<br>Head/Plate                 | 1026     | 693517   | Rod–Push   |
| 741      | 695087   | Gear–Timing                            | 914      | 692198   | Screw<br>(Rocker Cover)<br>(7/16" Long)           | 1029     | 691230   | Arm–Rocker                                       |
| 742      | 692564   | Retainer–E Ring<br>(Idler Gear)        | 914A     | 692557   | Screw<br>(Rocker Cover)<br>(3/8" Long)            | 1034     | 691343   | Guide–Push Rod                                   |
| 746      | 692566   | Gear–Idler                             | 957      | 694261   | Cap–Fuel Tank                                     | 1036     | 697004   | Label–Emission                                   |
| 773      | 694258   | Retainer<br>(Control Bracket)          | 958      | 692586   | Valve–Fuel Shut Off                               | 1052     | 696954   | Sensor–Oil                                       |
| 799      | 693609   | Screw<br>(Oil Sensor)                  | 961      | 693598   | Screw<br>(Air Cleaner Bracket)                    | 1058     | 275092   | Owner's Manual<br>(Emission Engines)             |
|          |          |  | 967A     | 273356   | Filter–Pre Cleaner<br>(High Mount Air<br>Cleaner) | 1070     | 692590   | Screw<br>(Flywheel Fan)                          |
|          |          |  |          |          |   | 1095     | 695289   | Gasket Set–Valve                                 |
|          |          |  |          |          |   | 1210     | 498144   | Pulley/Spring<br>Assembly<br>(Pulley)            |
|          |          |  |          |          |   | 1211     | 498144   | Pulley/Spring<br>Assembly<br>(Spring)            |

★ Included in Engine Gasket Set–Ref. No.358.

● Included in Carburetor Overhaul Kit–Ref. No. 121.

◆ Included in Carburetor Gasket Set–Ref. No. 977.

Ø Included in Valve Gasket Set–Ref. No 1095.

*Illustrations cover a range of engines. Parts shown without corresponding text may not be used on your specific engine.*