



Illustrated Parts List

Model Series

128700

TYPE NUMBERS
0108 through 4705.

TABLE OF CONTENTS

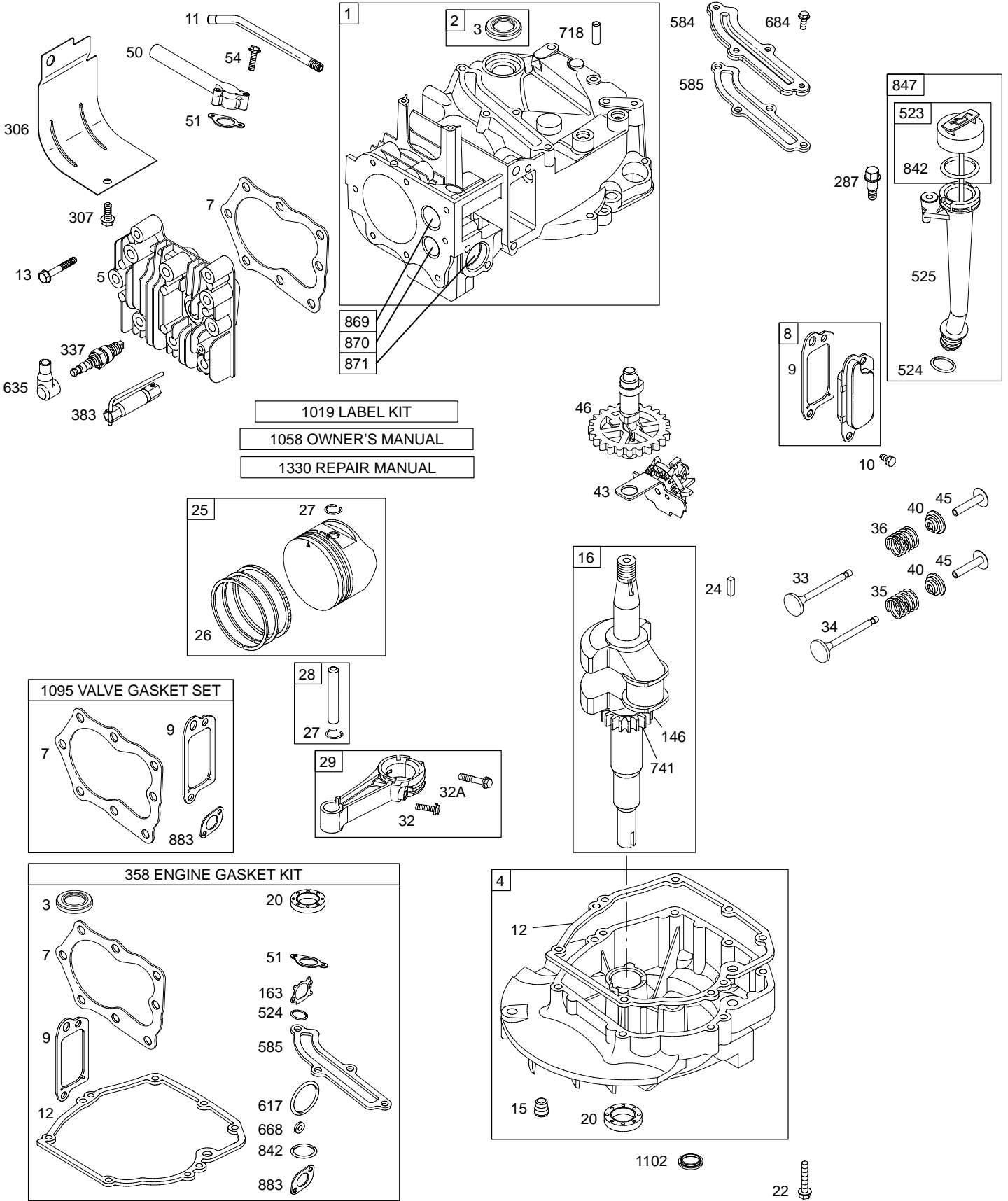
Air Cleaner	4
Blower Housing/Shrouds	6
Camshaft	2
Carburetor	3
Controls	5
Crankshaft	2
Cylinder	2
Electrical	6
Engine Sump	2
Exhaust System	4
Flywheel	6
Flywheel Brake	7
Fuel Supply	5
Governor Spring	5
Ignition	6
Kits/Gaskets	2 & 3
Lubrication	2
Piston Group	2
Rewind Starter	6
Valves	2



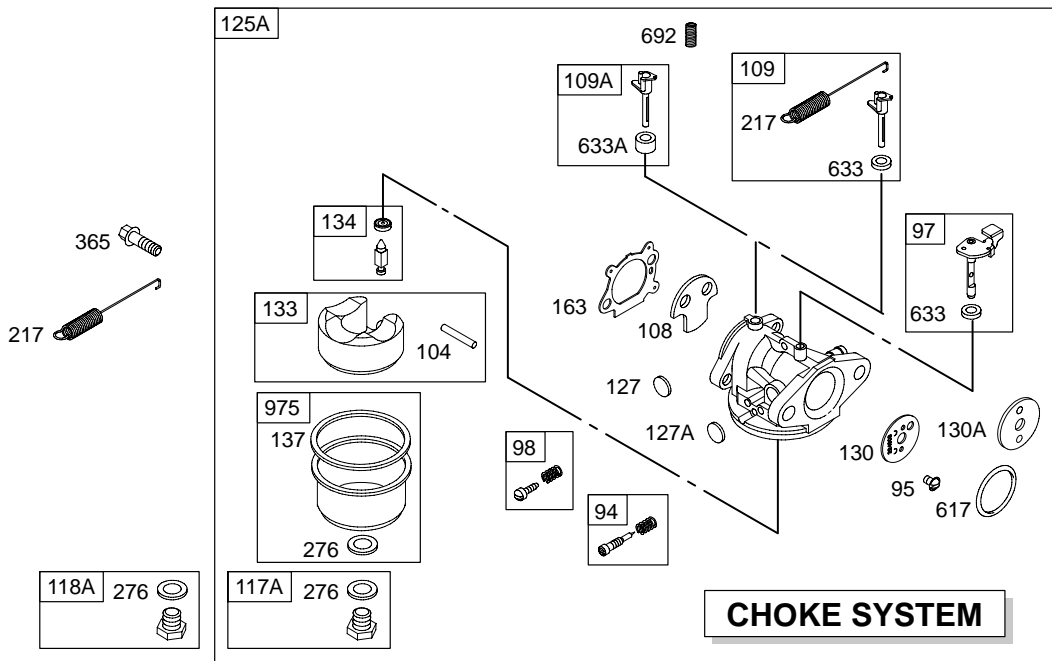
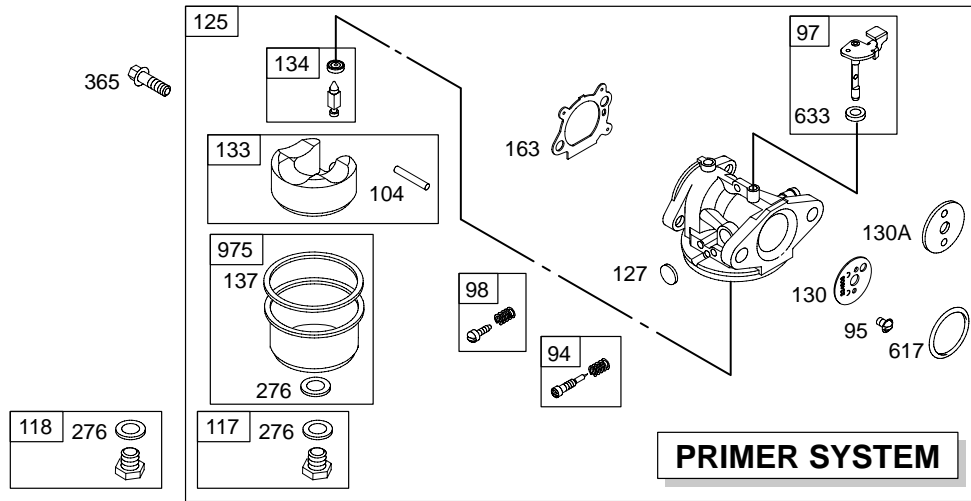
PRINTED IN U.S.A.

COPYRIGHT by BRIGGS & STRATTON CORPORATION
All rights reserved. No part of this material may be reproduced or transmitted, in any form or by any means, electronic or mechanical, including photocopying, recording or by any information storage and retrieval system, without permission in writing from Briggs & Stratton Corporation.

128700



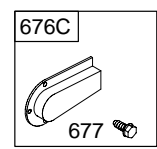
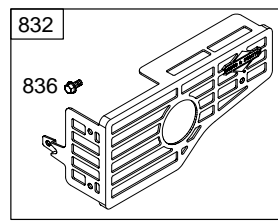
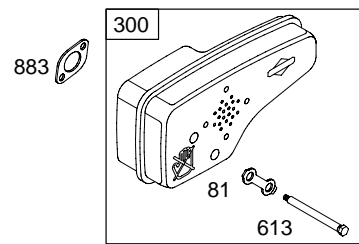
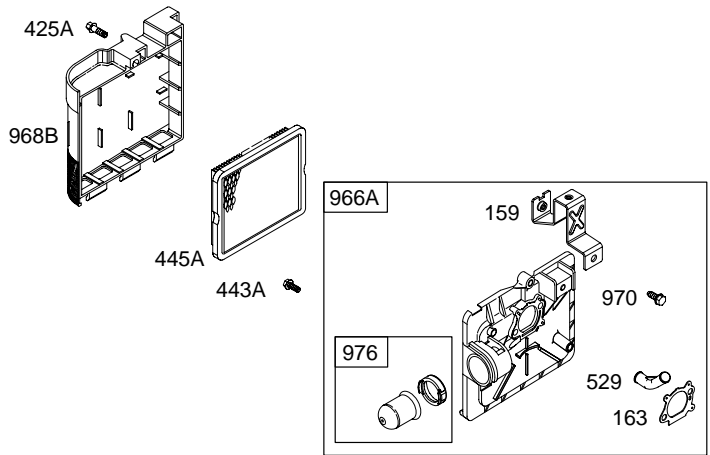
Illustrations cover a range of engines. Parts shown without corresponding text may not be used on your specific engine. 0516-2 Assemblies include all parts shown in frames. 09/20/2004

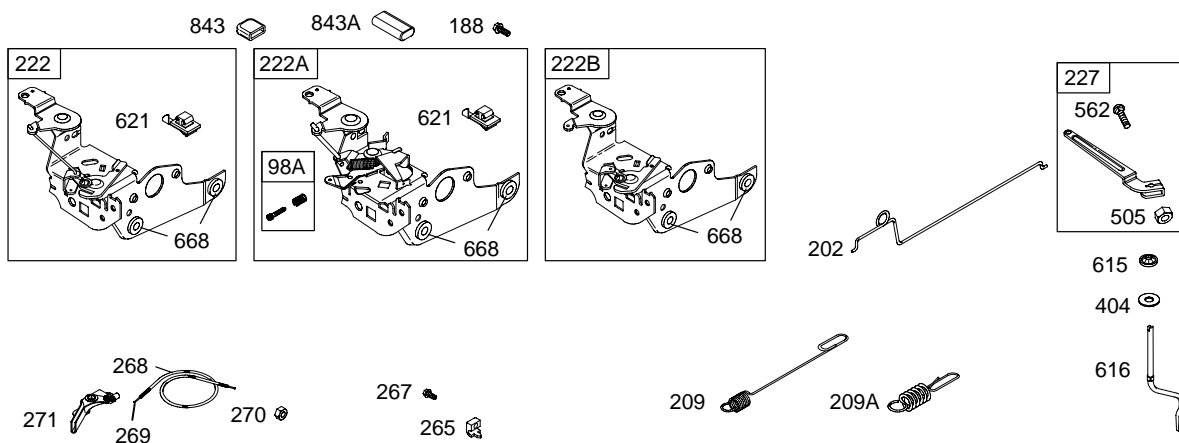
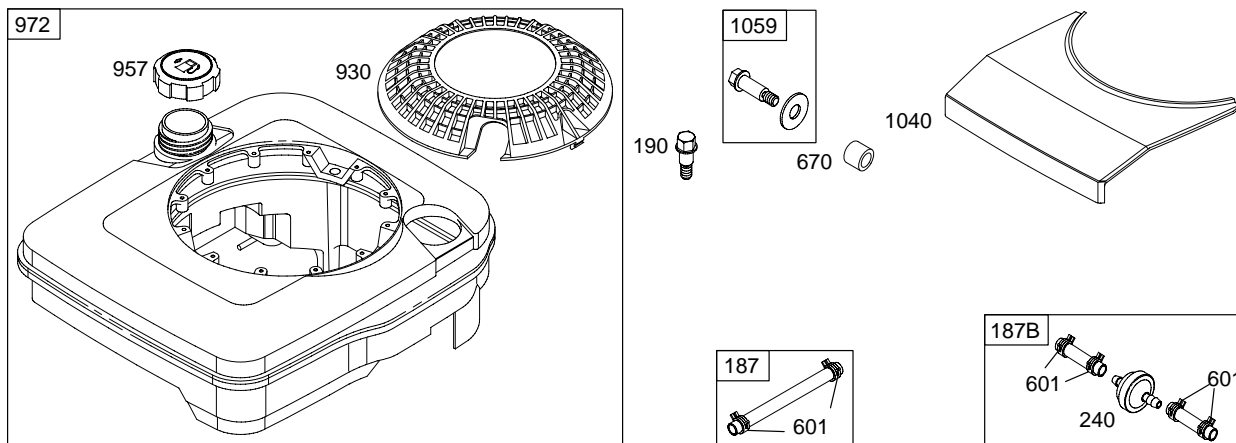


121 CARBURETOR OVERHAUL KIT		
94	134	276
104	137	617
127		633
127A	163	633A

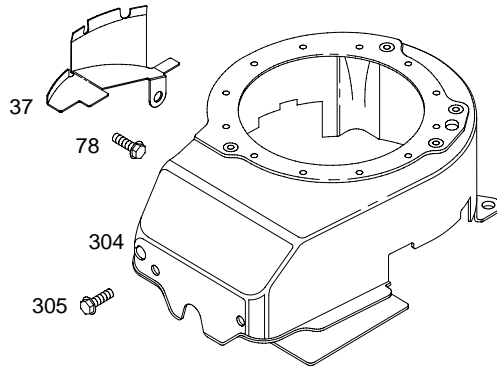
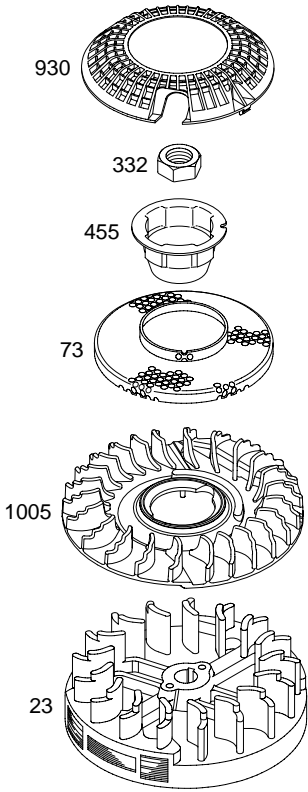
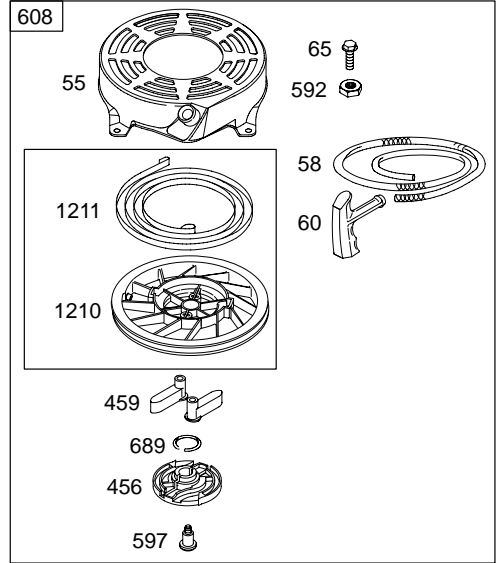
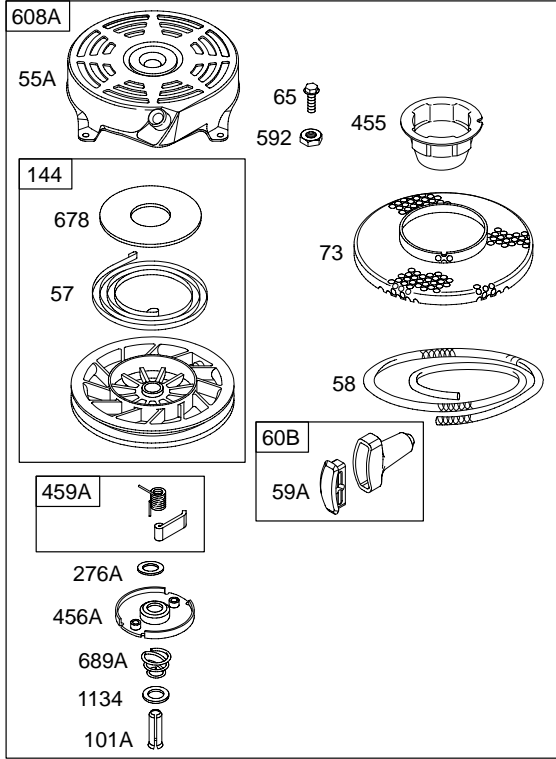
977 CARBURETOR GASKET SET		
137	276	633
163	617	633A

Illustrations cover a range of engines. Parts shown without corresponding text may not be used on your specific engine.
 0516-3 Assemblies include all parts shown in frames. 09/20/2004

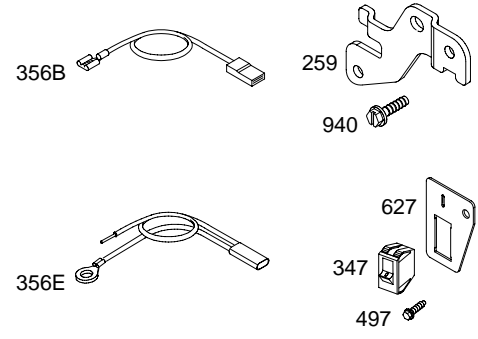
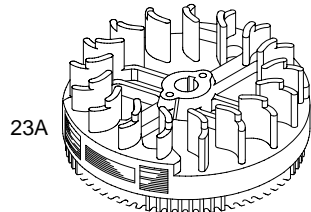
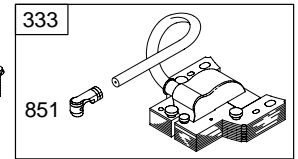
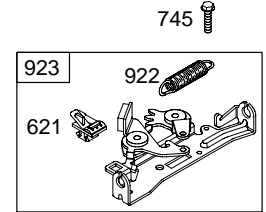




0516-5 *Illustrations cover a range of engines. Parts shown without corresponding text may not be used on your specific engine.* Assemblies include all parts shown in frames. 09/20/2004



1036 EMISSION LABEL



Illustrations cover a range of engines. Parts shown without corresponding text may not be used on your specific engine.
 0516-6 Assemblies include all parts shown in frames. 09/20/2004

REF. NO.	PART NO.	DESCRIPTION	REF. NO.	PART NO.	DESCRIPTION	REF. NO.	PART NO.	DESCRIPTION
1	697322	Cylinder Assembly	16	692978	Crankshaft (Used After Code Date 97011200).	20	*399781	Seal–Oil (PTO Side)
2	399269	Kit–Bushing/Seal (Magneto Side)			Note ———	22	691092	Screw (Crankcase Cover/ Sump)
3	*299819	Seal–Oil (Magneto Side)			690793 Crankshaft (Used Before Code Date 97011300).	23	692315	Flywheel (Rewind Start)
4	493279	Sump–Engine Note ——— 498983 Sump–Engine Used on Type No(s). 1773, 1774, 4705.			691450 Crankshaft (Used After Code Date 97011200). Used on Type No(s). 0608, 1708.	23A	691992	Flywheel Used on Type No(s). 0121, 0505, 0621, 0622, 0672, 1722, 1772.
5	691160	Head–Cylinder			694440 Crankshaft (Used Before Code Date 97011300). Used on Type No(s). 0608.	24	222698	Key–Flywheel
7	*Ø692249	Gasket–Cylinder Head			691451 Crankshaft (Used After Code Date 97011200). Used on Type No(s). 0626.			
8	695250	Breather Assembly			694442 Crankshaft (Used Before Code Date 97011300). Used on Type No(s). 0626.			
9	*Ø272481	Gasket–Breather			691455 Crankshaft (Used After Code Date 97011200). Used on Type No(s). 0505, 0672, 1772.			
10	691125	Screw (Breather Assembly)			691375 Crankshaft (Used Before Code Date 97011300). Used on Type No(s). 0505, 0672, 1772.			
11	691781	Tube–Breather			691482 Crankshaft (Used After Code Date 97011200). Used on Type No(s). 1773, 1774, 4705.			
12	*692232	Gasket–Crankcase			498098 Crankshaft (Used Before Code Date 97011300). Used on Type No(s). 4705.			
13	690912	Screw (Cylinder Head)			691452 Crankshaft Used on Type No(s). 1709.			
15	691680	Plug–Oil Drain (Square Socket)			690814 Crankshaft Used on Type No(s). 0624, 0629, 1724.			

* Included in Engine Gasket Set–Ref. No.358.

● Included in Carburetor Overhaul Kit–Ref. No. 121.

◆ Included in Carburetor Gasket Set–Ref. No. 977.

Ø Included in Valve Gasket Set–Ref. No 1095.

Illustrations cover a range of engines. Parts shown without corresponding text may not be used on your specific engine.

128700

REF. NO.	PART NO.	DESCRIPTION	REF. NO.	PART NO.	DESCRIPTION	REF. NO.	PART NO.	DESCRIPTION
25	790359	Piston Assembly (Standard) (Used After Code Date 04031400). Note 499429 Piston Assembly (Standard) (Used After Code Date 97011200 and Before Code Date 04031500). 493262 Piston Assembly (Standard) (Used Before Code Date 97011300). 499430 Piston Assembly (.010" Oversize) (Used After Code Date 97011200). 493385 Piston Assembly (.010" Oversize) (Used Before Code Date 97011300). 499431 Piston Assembly (.020" Oversize) (Used After Code Date 97011200). 493386 Piston Assembly (.020" Oversize) (Used Before Code Date 97011300). 499432 Piston Assembly (.030" Oversize) (Used After Code Date 97011200). 493387 Piston Assembly (.030" Oversize) (Used Before Code Date 97011300).	26	790360	Ring Set (Standard) (Used After Code Date 04031400). Note 499425 Ring Set (Standard) (Used After Code Date 97011200 and Before Code Date 04031500). 493261 Ring Set (Standard) (Used Before Code Date 97011300). 499426 Ring Set (.010" Oversize) (Used After Code Date 97011200). 493388 Ring Set (.010" Oversize) (Used Before Code Date 97011300). 499427 Ring Set (.020" Oversize) (Used After Code Date 97011200). 493389 Ring Set (.020" Oversize) (Used Before Code Date 97011300). 499428 Ring Set (.030" Oversize) (Used After Code Date 97011200). 493390 Ring Set (.030" Oversize) (Used Before Code Date 97011300). 27 691866 Lock-Piston Pin (Used After Code Date 97011200). Note 691588 Lock-Piston Pin (Used Before Code Date 97011300).	28	499423	Pin-Piston (Standard) (Used After Code Date 97011200). Note 298909 Pin-Piston (Standard) (Used Before Code Date 97011300). 298908 Pin-Piston (.005" Oversize) (Used Before Code Date 97011300). 29 499424 Rod-Connecting (Standard) (Used After Code Date 97011200). Note 490566 Rod-Connecting (Standard) (Used Before Code Date 97011300). 490743 Rod-Connecting (.020" Undersize) (Used Before Code Date 97011300). 32 691664 Screw (Connecting Rod) 32A 695759 Screw (Connecting Rod) (Used After Code Date 00042200). 33 262651 Valve-Exhaust 34 262652 Valve-Intake 35 691270 Spring-Valve (Intake) 36 691270 Spring-Valve (Exhaust) 37 694086 Guard-Flywheel 40 692194 Retainer-Valve

★ Included in Engine Gasket Set-Ref. No.358.

● Included in Carburetor Overhaul Kit-Ref. No. 121.

◆ Included in Carburetor Gasket Set-Ref. No. 977.

⊘ Included in Valve Gasket Set-Ref. No 1095.

Illustrations cover a range of engines. Parts shown without corresponding text may not be used on your specific engine.

REF. NO.	PART NO.	DESCRIPTION	REF. NO.	PART NO.	DESCRIPTION	REF. NO.	PART NO.	DESCRIPTION
43	691997	Slinger-Governor/Oil ———— Note ———— 691486 Slinger-Governor/Oil Used on Type No(s). 1773, 1774, 4705.	98	398185	Kit-Idle Speed	118	497315	Jet-Main (High Altitude) (Used After Code Date 96060300). ———— Note ———— 496495 Jet-Main (High Altitude) (Used After Code Date 95102900 and Before Code Date 96060400). 497315 Jet-Main (High Altitude) (Used After Code Date 95082100 and Before Code Date 95103000). 496063 Jet-Main (High Altitude) (Used Before Code Date 94070400). Used on Type No(s). 0622.
45	690548	Tappet-Valve	98A	493280	Kit-Idle Speed			
46	691449	Camshaft (Used After Code Date 96060200). ———— Note ———— 492830 Camshaft (Used Before Code Date 96060300).	101A	262626	Pin-Shaft	118A	498975	Jet-Main (High Altitude) ———— Note ———— 498981 Jet-Main (High Altitude) (Used After Code Date 96060200). Used on Type No(s). 0621.
50	497465	Manifold-Intake	104	691242	Pin-Float Hinge			
51	★272199	Gasket-Intake	108	691182	Valve-Choke			
54	691650	Screw (Intake Manifold)	109	494218	Shaft-Choke			
55	691421	Housing-Rewind Starter	109A	498593	Shaft-Choke Used on Type No(s). 0672, 1772, 1773, 1774, 4705.			
55A	492831	Housing-Rewind Starter	117	494870	Jet-Main (Standard) (Used After Code Date 96060300). ———— Note ———— 497466 Jet-Main (Standard) (Used After Code Date 95102900 and Before Code Date 96060400). 494870 Jet-Main (Standard) (Used After Code Date 95082100 and Before Code Date 95103000). 493637 Jet-Main (Standard) (Used Before Code Date 94070400). Used on Type No(s). 0622.			
57	491889	Spring-Rewind Starter						
58	697316	Rope-Starter (Cut To Required Length)						
59	692594	Insert-Grip						
59A	396892	Insert-Grip						
60	281434	Grip-Starter Rope						
60A	494212	Grip-Starter Rope						
60B	393152	Grip-Starter Rope						
65	690837	Screw (Rewind Starter)	117A	498978	Jet-Main (Standard) ———— Note ———— 498977 Jet-Main (Standard) (Used After Code Date 96060200). Used on Type No(s). 0621.	121	498260	Kit-Carburetor Overhaul
73	691222	Screen-Rotating						
78	691108	Screw (Flywheel Guard)						
81	691740	Lock-Muffler Screw						
94	●493765	Kit-Idle Mixture						
95	691636	Screw (Throttle Valve)						
97	493267	Shaft-Throttle ———— Note ———— 696565 Shaft-Throttle (Primer System) (Used After Code Date 01040800).						

★ Included in Engine Gasket Set-Ref. No.358.

● Included in Carburetor Overhaul Kit-Ref. No. 121.

◆ Included in Carburetor Gasket Set-Ref. No. 977.

∅ Included in Valve Gasket Set-Ref. No 1095.

Illustrations cover a range of engines. Parts shown without corresponding text may not be used on your specific engine.

128700

REF. NO.	PART NO.	DESCRIPTION	REF. NO.	PART NO.	DESCRIPTION	REF. NO.	PART NO.	DESCRIPTION
125	498170	Carburetor (Primer System) (Used After Code Date 96060300). Note 498254 Carburetor (Primer System) (Used Before Code Date 96060400). 496114 Carburetor (Primer System) (Used Before Code Date 94070400). Used on Type No(s). 0622.	146	690979	Key—Timing	217	690354	Spring—Choke Return
125A	499059	Carburetor (Choke System) Note 498965 Carburetor (Choke System) (Used After Code Date 96060200). Used on Type No(s). 0621. 497501 Carburetor (Choke System) (Used Before Code Date 96060300). Used on Type No(s). 0621.	159	691753	Bracket—Air Cleaner Primer	222	692031	Bracket—Control (Remote/Manual Friction)(Primer)
127	694468	Plug—Welch	163★◆	272653	Gasket—Air Cleaner	222A	690839	Bracket—Control (Manual Friction) (Choke A Matic)
127A	691739	Plug—Welch	187	691050	Line—Fuel (Cut to Required Length)	222B	692982	Bracket—Control (Fixed Speed, 5 Position Manual Choke)
130	691203	Valve—Throttle Note 696564 Valve—Throttle (Primer System) (Used After Code Date 01040800).	187B	692042	Line—Fuel (Includes Filter)	227	690783	Lever—Governor Control
130A	691181	Valve—Throttle (Used on Type No(s). 0621, 0622.)	188	690877	Screw (Control Bracket)	240	298090	Filter—Fuel
133	398187	Float—Carburetor	190	690940	Screw (Fuel Tank)	259	691223	Bracket—Casing Clamp
134	398188	Kit—Needle/Seat	202	691829	Link—Mechanical Governor	265	690798	Clamp—Casing
137◆	693981	Gasket—Float Bowl	209	690319	Spring—Governor Note 691864 Spring—Governor (Used on Type No(s). 0672, 1724, 1772, 1773, 4705. 691851 Spring—Governor (Used on Type No(s). 0622, 1722. 691292 Spring—Governor (Used on Type No(s). 0608, 1708, 1709. 691291 Spring—Governor (Used on Type No(s). 0505. 690241 Spring—Governor (Used on Type No(s). 1774. 262661 Spring—Governor (Used on Type No(s). 0108.	267	691044	Screw (Casing Clamp)
144	493824	Pulley/Spring Assembly	209A	691275	Spring—Governor (Used on Type No(s). 0121, 0621.	268	691025	Casing—Control Wire (Cut to Required Length) Note 691072 Casing—Control Wire (48" Long) (Cut to Required Length)
						269	691026	Wire—Control (Cut to Required Length)
								Note 691589 Wire—Control (54" Long) (Cut to Required Length)
						270	691027	Nut (Control Wire Casing)
						271	691028	Lever—Control
						276◆◆	271716	Washer—Sealing
						276A	280973	Washer—Sealing (Pawl Friction Plate)
						287	690940	Screw (Dipstick Tube)

★ Included in Engine Gasket Set—Ref. No.358.

● Included in Carburetor Overhaul Kit—Ref. No. 121.

◆ Included in Carburetor Gasket Set—Ref. No. 977.

⊘ Included in Valve Gasket Set—Ref. No 1095.

Illustrations cover a range of engines. Parts shown without corresponding text may not be used on your specific engine.

REF. NO.	PART NO.	DESCRIPTION	REF. NO.	PART NO.	DESCRIPTION	REF. NO.	PART NO.	DESCRIPTION
300	496106	Muffler (Tuned) ———— Note ——— 692038 Muffler (Performance) Used on Type No(s). 0629.	445A	491588	Filter—Air Cleaner Cartridge	635	66538	Boot—Spark Plug
304	493293	Housing—Blower ———— Note ——— 493294 Housing—Blower Used on Type No(s). 0121, 0505, 0621, 0622, 0672, 1722, 1772, 1773, 1774, 4705.	455	695161	Cup—Flywheel	668	★493823	Spacer (Includes 2)
305	691108	Screw (Blower Housing)	455A	224250	Cup—Flywheel	670	692294	Spacer—Fuel Tank
306	690450	Shield—Cylinder	456	692299	Plate—Pawl Friction	676C	493871	Deflector—Muffler (Side Out) (Extended) (Horseshoe)
307	690345	Screw (Cylinder Shield)	456A	224321	Plate—Pawl Friction	677	690661	Screw (Muffler Deflector)
332	690662	Nut (Flywheel)	459	281505	Pawl—Ratchet	678	224278	Spacer—Rewind
333	802574	Armature—Magneto	459A	492833	Pawl—Ratchet	684	690345	Screw (Breather Passage Cover)
334	691061	Screw (Magneto Armature)	497	690664	Screw (Stopswitch Bracket)	689	691855	Spring—Friction
337	802592	Plug—Spark	505	691251	Nut (Governor Control Lever)	689A	262625	Spring—Friction
347	691396	Switch—Rocker	523	495264	Dipstick	692	690572	Spring—Detent
356B	693010	Wire—Stop	524	★692296	Seal—Dipstick Tube	718	690959	Pin—Locating
356E	398808	Wire—Stop	525	495265	Tube—Dipstick	741	790345	Gear—Timing (Use Without Woodruff Key)
358	497316	Gasket Set—Engine	529	691923	Grommet			———— Note ——— 691830 Gear—Timing (Uses Woodruff Key)
363	19069	Flywheel Puller	562	691119	Bolt (Governor Control Lever)	745	691648	Screw (Brake)
365	692524	Screw (Carburetor)	584	697734	Cover—Breather Passage	832	499034	Guard—Muffler
383	89838	Wrench—Spark Plug	585	★691879	Gasket—Breather Passage	836	690664	Screw (Muffler Guard)
404	690272	Washer (Governor Crank)	592	690800	Nut (Rewind Starter)	842	★691031	Seal—O Ring (Dipstick Tube)
425A	690670	Screw (Air Cleaner Cover)	597	691696	Screw (Pawl Friction Plate)	843	691884	Sleeve—Lever (Speed Control)
443A	692523	Screw (Air Cleaner Primer Base)	601	95162	Clamp—Hose	843A	691895	Sleeve—Lever (Choke)
			608	497680	Starter—Rewind	847	692017	Dipstick/Tube Assembly
			608A	497598	Starter—Rewind	851	493880	Terminal—Spark Plug
			613	691340	Screw (Muffler)	869	691155	Seat—Valve (Intake)
			615	690340	Retainer—Governor Shaft	870	690380	Seat—Valve (Exhaust)
			616	698801	Crank—Governor			
			617★◆	270344	Seal—O Ring (Intake Manifold)			
			621	692310	Switch—Stop			
			627	692872	Bracket—Stop Switch			
			633	◆◆691321	Seal—Throttle Shaft			
			633A	◆◆693867	Seal—Throttle Shaft			

★ Included in Engine Gasket Set—Ref. No.358.

● Included in Carburetor Overhaul Kit—Ref. No. 121.

◆ Included in Carburetor Gasket Set—Ref. No. 977.

⊘ Included in Valve Gasket Set—Ref. No 1095.

Illustrations cover a range of engines. Parts shown without corresponding text may not be used on your specific engine.

128700

REF. NO.	PART NO.	DESCRIPTION	REF. NO.	PART NO.	DESCRIPTION	REF. NO.	PART NO.	DESCRIPTION
871	262001	Bushing-Valve Guide (Exhaust) Note 63709 Bushing-Valve Guide (Intake)	1036	790412	Label-Emission (Used After Code Date 04063000). Note 695111 Label-Emission (Used After Code Date 99093000 and Before Code Date 04070100). 694458 Label-Emission (Used After Code Date 98123100 and Before Code Date 99100100). 499341 Label-Emission (Used After Code Date 97052500 and Before Code Date 99010100). 499340 Label-Emission (Used Before Code Date 97052600). 790413 Label-Emission (Used On Engines With D1 Trim) (Used After Code Date 04063000). 697378 Label-Emission (Used On Engines With D1 Trim) (Used Before Code Date 04070100).	1040	281252	Plate-Trim
						1058	275177	Manual-Owner's
						1059	692311	Kit-Screw/Washer
						1095	498528	Gasket Set-Valve
						1102	691255	Pilot-Guide Used on Type No(s). 1774, 4705. Note 691266 Pilot-Guide Used on Type No(s). 1773.
883	691881	Gasket-Muffler				1134	224322	Washer (Pawl Friction Plate)
922	691831	Spring-Brake				1210	498144	Pulley/Spring Assembly (Pulley)
923	691994	Brake				1211	498144	Pulley/Spring Assembly (Spring)
930	691919	Guard-Rewind				1330	270962	Manual-Repair
940	691044	Screw (Casing Clamp Bracket)						
957	397974	Cap-Fuel Tank (Plastic)						
966A	496116	Base-Air Cleaner Primer						
968B	692298	Cover-Air Cleaner						
970	691669	Screw (Air Cleaner Primer Bracket)						
972	695887	Tank-Fuel (Plastic)						
975	493640	Bowl-Float						
976	694395	Primer-Carburetor						
977	498261	Gasket Set-Carburetor						
1005	691346	Fan-Flywheel						
1019	494256	Kit-Label						

★ Included in Engine Gasket Set-Ref. No.358.

● Included in Carburetor Overhaul Kit-Ref. No. 121.

◆ Included in Carburetor Gasket Set-Ref. No. 977.

∅ Included in Valve Gasket Set-Ref. No 1095.

Illustrations cover a range of engines. Parts shown without corresponding text may not be used on your specific engine.

0516-12

Assemblies include all parts shown in frames.

09/20/2004