

12C400

Illustrated Parts List

Model Series

12C400

TYPE NUMBERS
0100 through 0208.

TABLE OF CONTENTS

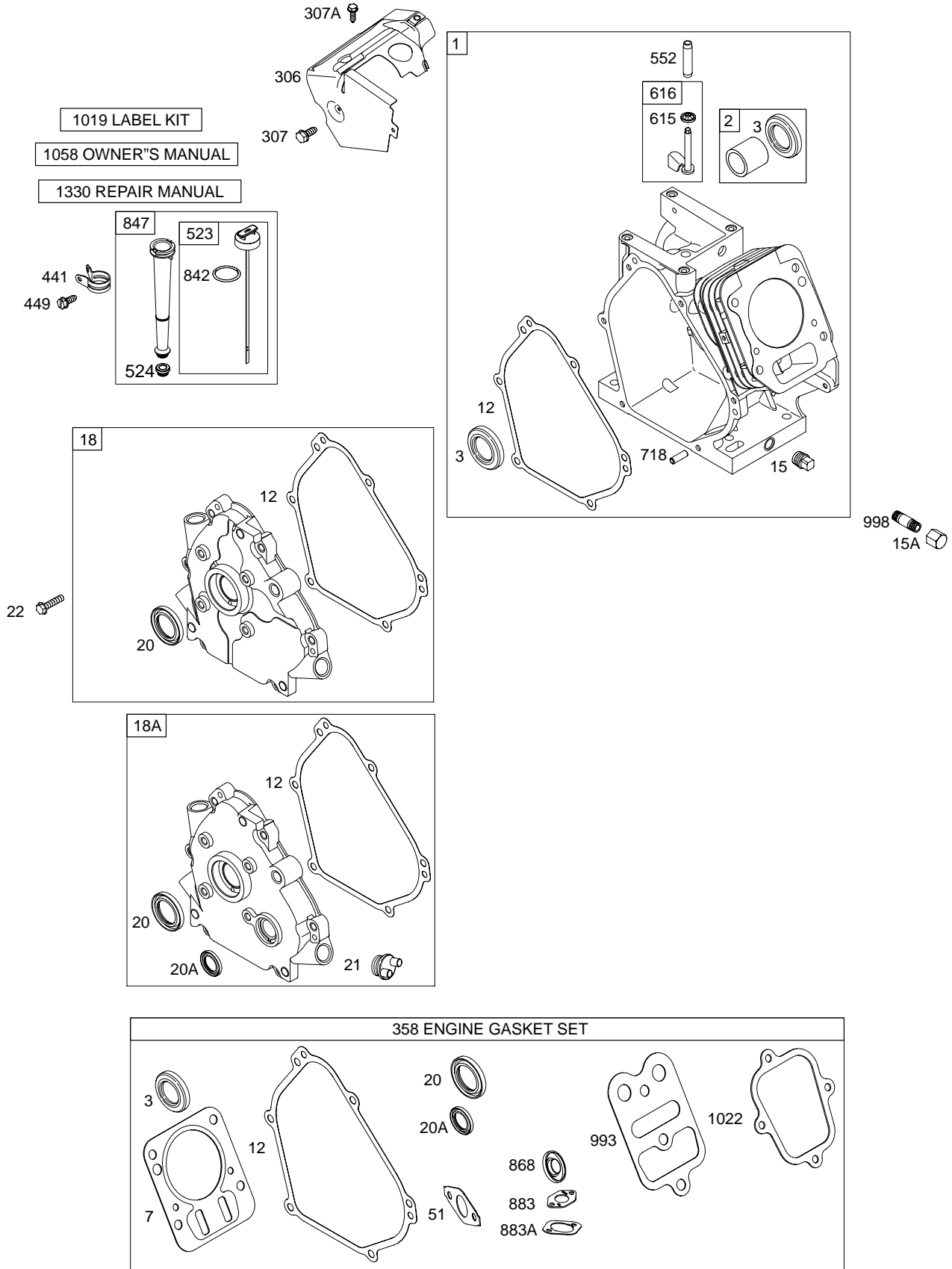
Blower Housing/Shrouds	7
Cams	4
Carburetor	5
Controls	6
Crankcase Cover/Sump	2
Crankshaft	4
Cylinder	2
Electric Starter	8
Flywheel	7
Fuel Tank	5
Governor Spring	6
Head	3
Ignition	6
Kits/Gaskets – Carburetor	5
Kits/Gaskets – Engine	2
Muffler	8
Oil Group	2
Piston Group	4
Rewind Starter	8
Valves	3



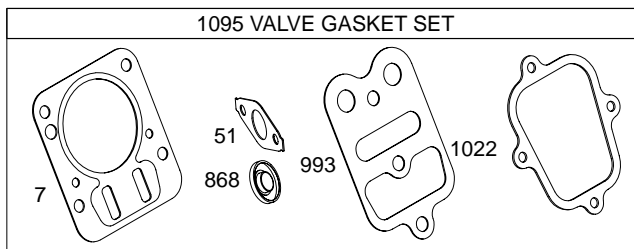
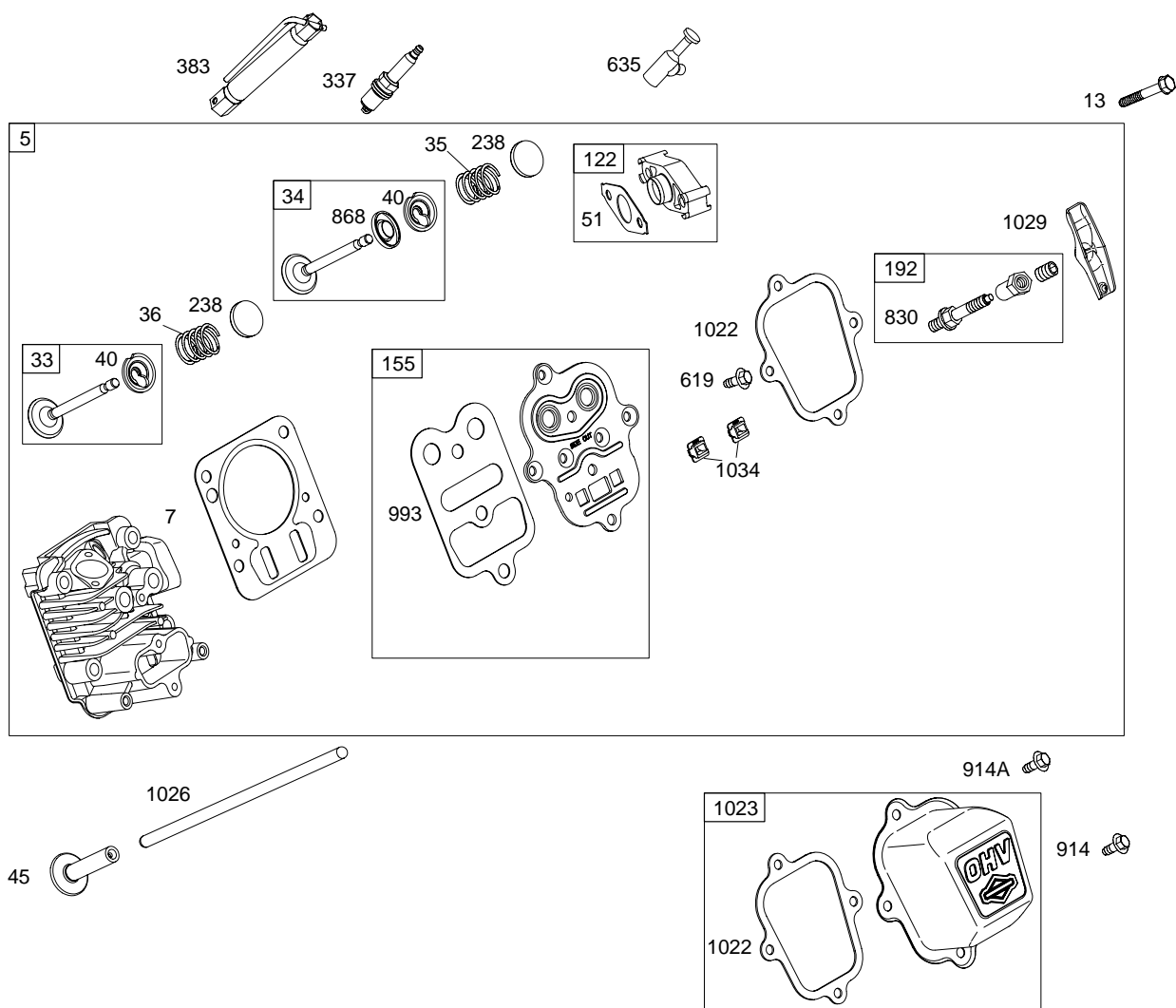
PRINTED IN U.S.A.

COPYRIGHT by BRIGGS & STRATTON CORPORATION
All rights reserved. No part of this material may be reproduced or transmitted, in any form or by any means, electronic or mechanical, including photocopying, recording or by any information storage and retrieval system, without permission in writing from Briggs & Stratton Corporation.

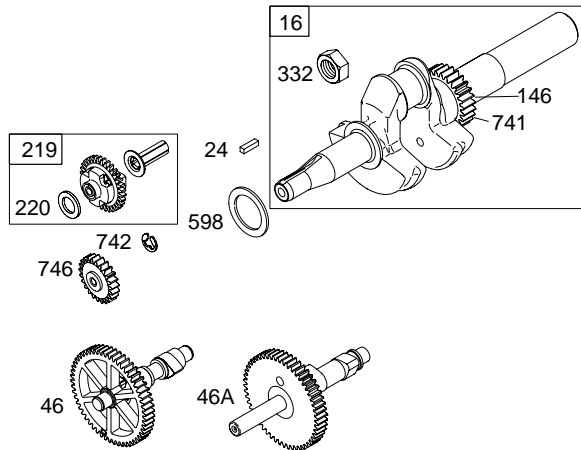
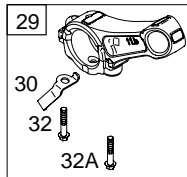
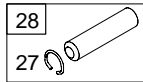
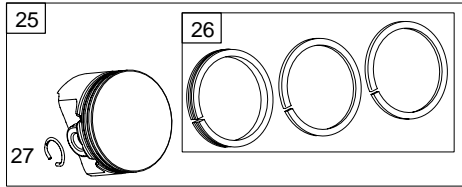
12C400

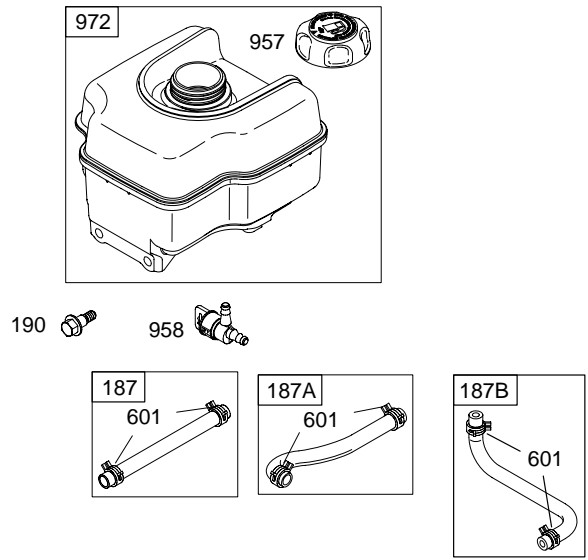
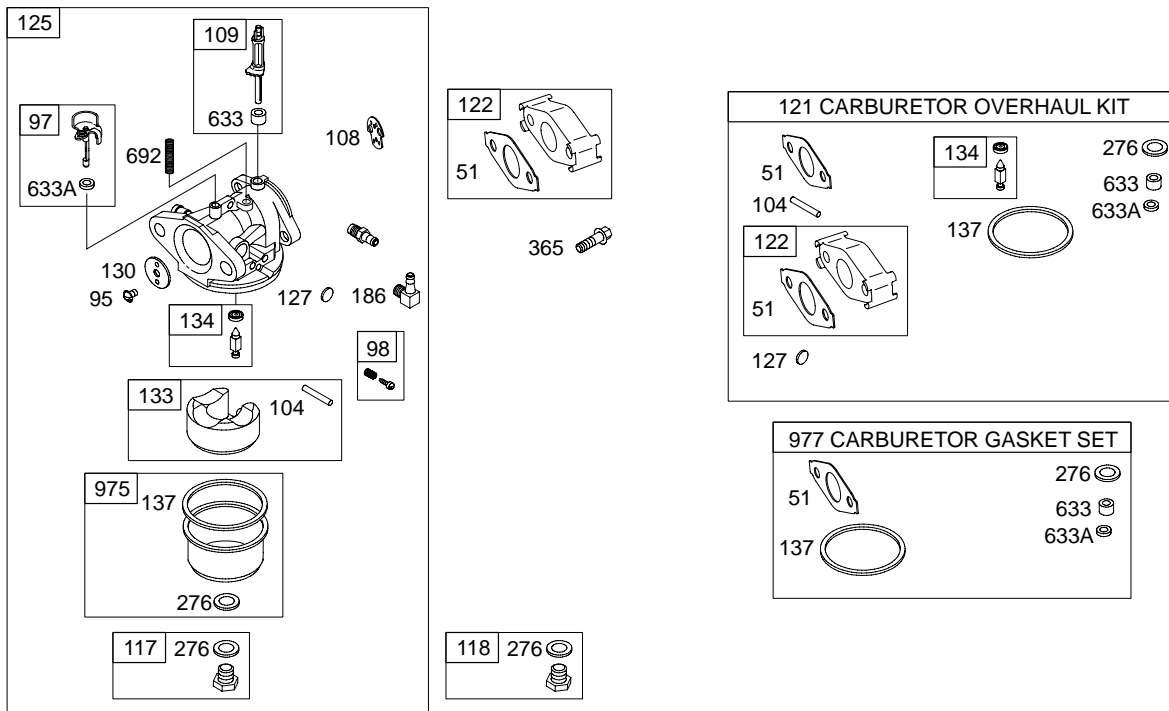


Illustrations cover a range of engines. Parts shown without corresponding text may not be used on your specific engine.
6504-2 Assemblies include all parts shown in frames. 10/01/2003

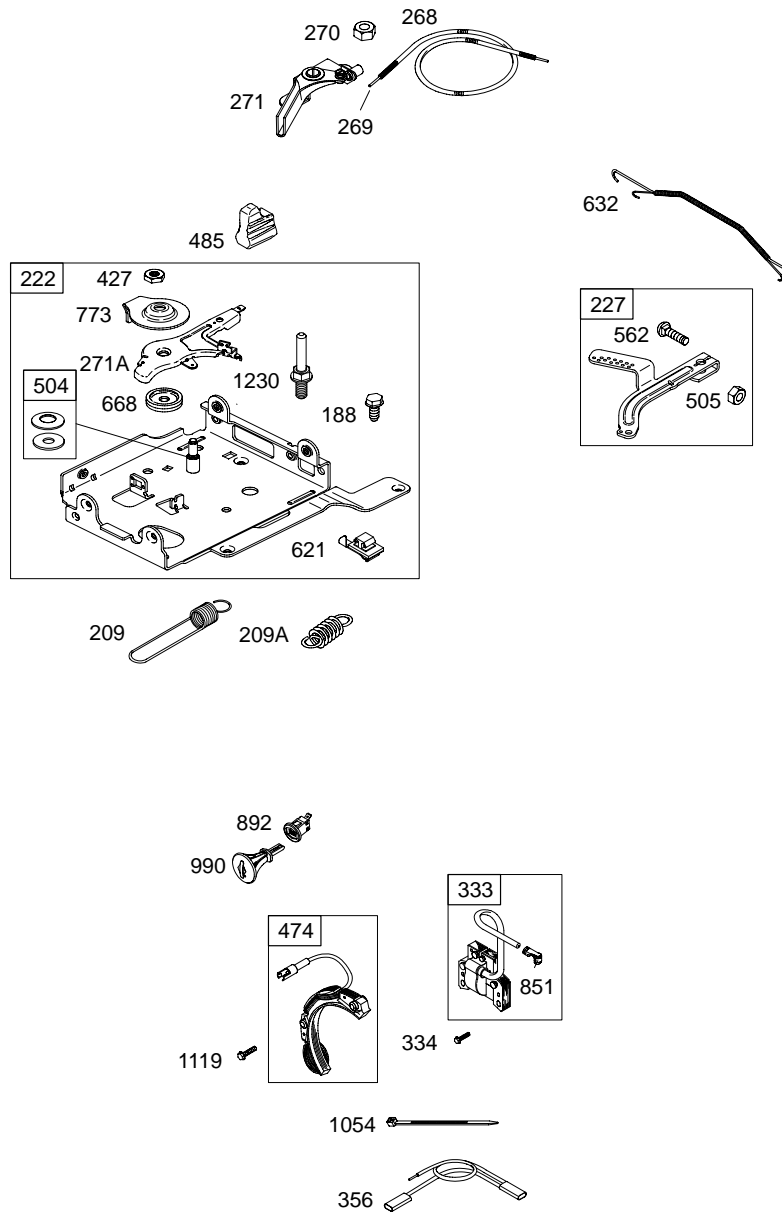


Illustrations cover a range of engines. Parts shown without corresponding text may not be used on your specific engine.
6504-3 Assemblies include all parts shown in frames. **10/01/2003**

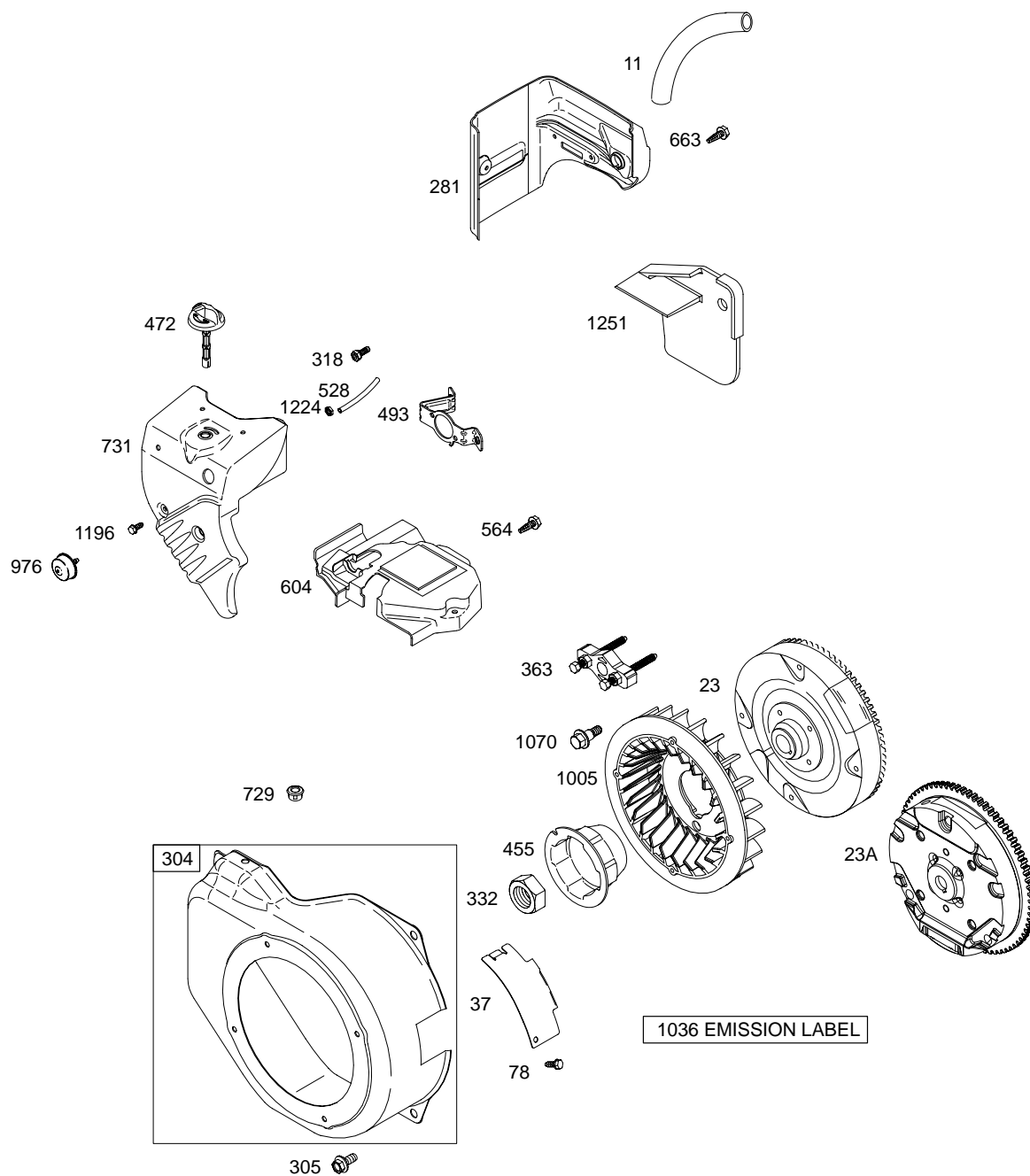




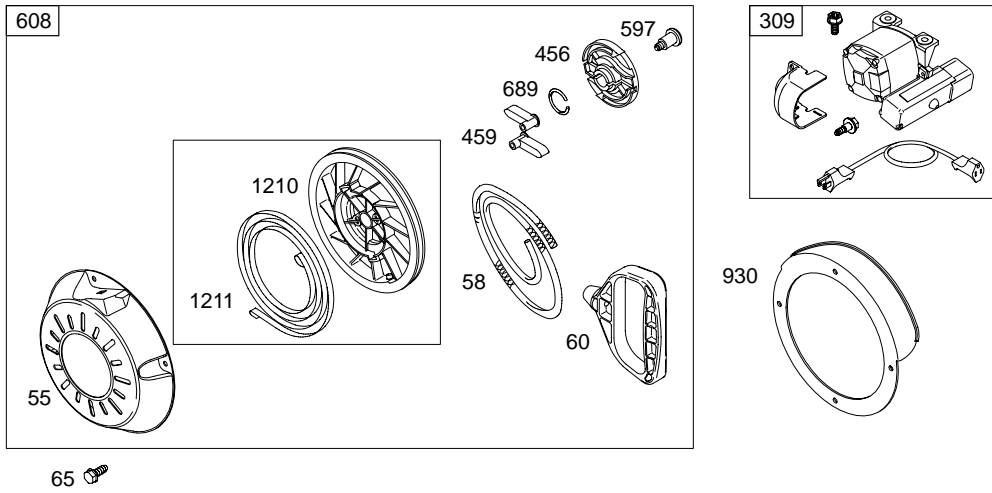
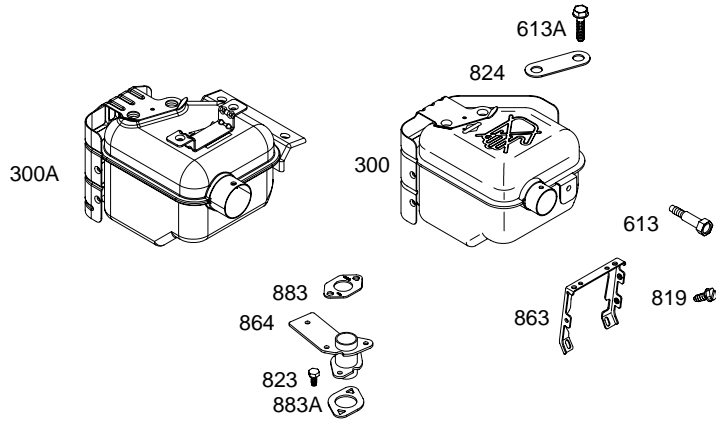
Illustrations cover a range of engines. Parts shown without corresponding text may not be used on your specific engine.
 6504-5 Assemblies include all parts shown in frames. 10/01/2003



Illustrations cover a range of engines. Parts shown without corresponding text may not be used on your specific engine.
6504-6 Assemblies include all parts shown in frames. 10/01/2003



Illustrations cover a range of engines. Parts shown without corresponding text may not be used on your specific engine.
6504-7 Assemblies include all parts shown in frames. **10/01/2003**



Illustrations cover a range of engines. Parts shown without corresponding text may not be used on your specific engine.
6504-8 Assemblies include all parts shown in frames. 10/01/2003

REF. NO.	PART NO.	DESCRIPTION	REF. NO.	PART NO.	DESCRIPTION	REF. NO.	PART NO.	DESCRIPTION
1	695713	Cylinder Assembly	20	★692550	Seal–Oil (PTO Side)	37	699661	Guard–Flywheel (Used After Code Date 01061000).
2	399269	Kit–Bushing/Seal (Magneto Side)	20A	★691952	Seal–Oil (PTO Side) (Auxiliary Drive) Used on Type No(s). 0110.			Note ——— 695725 Guard–Flywheel (Used Before Code Date 01061100).
3	★299819	Seal–Oil (Magneto Side)	21	281658	Cap–Oil Fill	40	692194	Retainer–Valve
5	699486	Head–Cylinder	22	692551	Screw (Crankcase Cover/ Sump)	45	690977	Tappet–Valve
7	★∅698210	Gasket–Cylinder Head	23	695741	Flywheel Used on Type No(s). 0100.	46	693404	Camshaft
11	695745	Tube–Breather	23A	695769	Flywheel	46A	694831	Camshaft Used on Type No(s). 0110.
12	★692549	Gasket–Crankcase	24	222698	Key–Flywheel	51	◆◆∅692555	Gasket–Intake (2 Required)
13	691137	Screw (Cylinder Head)	25	690021	Piston Assembly (Standard)	55	696710	Housing–Rewind Starter (Used After Code Date 01062400).
15	691686	Plug–Oil Drain			Note ——— 694167 Piston Assembly (.010" Oversize)			Note ——— 695739 Housing–Re- wind Starter (Used Before Code Date 01062500).
15A	695757	Plug–Oil Drain	26	499631	Ring Set (Standard)	58	693389	Rope–Starter (Cut To Required Length)
16	699445	Crankshaft (Used After Code Date 03061200).			Note ——— 692785 Ring Set (.010" Oversize)	60	699334	Grip–Starter Rope (Used After Code Date 03051100).
		Note ——— 693887 Crankshaft (Used Before Code Date 03061300).			692786 Ring Set (.020" Oversize)			Note ——— 695740 Grip–Starter Rope (Used Before Code Date 03051200).
		699454 Crankshaft (Used After Code Date 03061700).			692787 Ring Set (.030" Oversize)	65	697725	Screw (Rewind Starter) (Used After Code Date 02050700).
		Used on Type No(s). 0131, 0207, 0208.	27	691866	Lock–Piston Pin			Note ——— 695453 Screw (Rewind Starter) (Used Before Code Date 02050800 and After Code Date 01061000).
		696682 Crankshaft (Used Before Code Date 03061800).	28	499423	Pin–Piston			692608 Screw (Rewind Starter) (Used Before Code Date 01061100).
		Used on Type No(s). 0131, 0207, 0208.	29	690124	Rod–Connecting	78	695724	Screw (Flywheel Guard)
18	699360	Cover–Crankcase (Used After Code Date 02041700).	30	692562	Dipper–Connecting Rod			
		Note ——— 699596 Cover–Crank- case (Used Before Code Date 02041800).	32	691664	Screw (Connecting Rod)			
		699596 Cover–Crank- case (Used Before Code Date 02041800).	32A	695759	Screw (Connecting Rod)			
		Used on Type No(s). 0110.	33	499642	Valve–Exhaust			
18A	790000	Cover–Crankcase (Used After Code Date 02041700).	34	499641	Valve–Intake			
		Used on Type No(s). 0110.	35	691304	Spring–Valve (Intake)			
		Note ——— 699596 Cover–Crank- case (Used Before Code Date 02041800).	36	691304	Spring–Valve (Exhaust)			

★ Included in Engine Gasket Set–Ref. No. 358.

△ Included in Carburetor Overhaul Kit–Ref. No. 121.

■ Included in Carburetor Gasket Set–Ref. No. 977.

◆ Included in Valve Gasket Set–Ref. No. 1095.

Illustrations cover a range of engines. Parts shown without corresponding text may not be used on your specific engine.

12C400

REF. NO.	PART NO.	DESCRIPTION	REF. NO.	PART NO.	DESCRIPTION	REF. NO.	PART NO.	DESCRIPTION
95	691636	Screw (Throttle Valve)			Note 698033 Bracket-Control			695660 Motor-Starter (Used Before Code Date 01061100).
97	690024	Shaft-Throttle			(Used Before Code Date 03051600 and After Code Date 02041400).			699786 Motor-Starter (Does not include Cord) Used on Type No(s). 0208.
98	398185	Kit-Idle Speed						
104	691242	Pin-Float Hinge						
108	695807	Valve-Choke						
109	695729	Shaft-Choke						
117	690048	Jet-Main (Standard)			695742 Bracket-Control (Used Before Code Date 02041500).			
118	498977	Jet-Main (High Altitude)						
121	695157	Kit-Carburetor Overhaul	227	692573	Lever-Governor Control			318 690370 Screw (Mounting Bracket)
122	693749	Spacer-Carburetor	238	691300	Cap-Valve			332 699359 Nut (Flywheel) (Used After Code Date 03060800).
125	695727	Carburetor	268	691072	Control Wire Casing (Cut to Length)			Note 690662 Nut (Flywheel) (Used Before Code Date 03060900).
127	694468	Plug-Welch						
130	691181	Valve-Throttle	269	691589	Control Wire (Cut to Length)			
133	398187	Float-Carburetor	270	691027	Nut (Control Wire Casing)			
134	398188	Kit-Needle/Seat						
137	693981	Gasket-Float Bowl	271	691028	Control Lever			333 695711 Armature-Magneto
146	690979	Key-Timing	271A	698038	Lever-Control (Used After Code Date 02041400).			334 691061 Screw (Magneto Armature)
155	698214	Plate-Cylinder Head						
186	692317	Connector-Hose						337 491055 Plug-Spark
187	691050	Line-Fuel (Cut to Required Length)			Note 695743 Lever-Control (Used Before Code Date 02041500).			356 695731 Wire-Stop
187A	692601	Line-Fuel (Molded)						358 698216 Gasket Set-Engine
187B	693401	Line-Fuel (Molded) Used on Type No(s). 0131, 0207, 0208.	276	271716	Washer-Sealing			363 19069 Puller-Flywheel
			281	697550	Panel-Control (Used After Code Date 01061000).			365 692568 Screw (Carburetor)
188	690877	Screw (Control Bracket)						383 19374 Wrench-Spark Plug
190	692127	Screw (Fuel Tank)						427 694255 Nut (Control Bracket)
192	694543	Adjuster-Rocker Arm						441 694262 Bracket-Oil Fill
209	692571	Spring-Governor						449 691693 Screw (Oil Fill Bracket)
		Note 691798 Spring-Governor Used on Type No(s). 0100, 0110.	300	698002	Muffler			455 692591 Cup-Flywheel
			300A	699787	Muffler Used on Type No(s). 0207, 0208.			456 692299 Plate-Pawl Friction
209A	691278	Spring-Governor Used on Type No(s). 0100, 0110.	304	696653	Housing-Blower			459 281505 Pawl-Ratchet
			305	691108	Screw (Blower Housing)			472 696691 Knob-Choke Shaft (Used After Code Date 01060700).
219	693578	Gear-Governor	306	695710	Shield-Cylinder			Note 695752 Knob-Choke Shaft (Used Before Code Date 01060800).
220	691724	Washer (Governor Gear)	307	690345	Screw (Cylinder Shield)			474 695730 Alternator Used on Type No(s). 0110.
222	698326	Bracket-Control (Used After Code Date 03051500).	307A	691003	Screw (Cylinder Shield)			Note 694457 Alternator Used on Type No(s). 0131, 0207, 0208.
			309	696818	Motor-Starter (Used After Code Date 01061000).			

★ Included in Engine Gasket Set-Ref. No. 358.

△ Included in Carburetor Overhaul Kit-Ref. No. 121.

■ Included in Carburetor Gasket Set-Ref. No. 977.

◆ Included in Valve Gasket Set-Ref. No. 1095.

Illustrations cover a range of engines. Parts shown without corresponding text may not be used on your specific engine.

6504-10

Assemblies include all parts shown in frames.

10/01/2003

REF. NO.	PART NO.	DESCRIPTION	REF. NO.	PART NO.	DESCRIPTION	REF. NO.	PART NO.	DESCRIPTION
485	695755	Knob—Control	616	692547	Crank—Governor	847	693617	Dipstick/Tube Assembly
493	695744	Bracket—Mounting	619	691108	Screw (Cylinder Head Plate)	851	493880	Terminal—Spark Plug
504	694254	Washer Set—Friction	621	692310	Switch—Stop	863	697280	Bracket—Muffler (Used After Code Date 01061000).
505	691251	Nut (Governor Control Lever)	632	692653	Spring/Link— Mechanical Governor	Note		
523	693618	Dipstick	633	◆693867	Seal—Choke/Throttle Shaft (Choke)	695734		Bracket—Muffler (Used Before Code Date 01061100).
524	281370	Seal—Dipstick Tube	633A	◆691321	Seal—Choke/Throttle Shaft (Throttle)	864	697814	Adapter—Muffler (Used After Code Date 03030200).
528	695746	Hose—Primer	635	692927	Boot—Spark Plug	Note		
552	692346	Bushing—Governor Crank	663	696685	Screw (Control Panel) (Used After Code Date 01061000).	694430		Adapter—Muffler (Used Before Code Date 03030300).
562	691119	Bolt (Governor Control Lever)	668	694257	Spacer	868	★692044	Seal—Valve
564	696685	Screw (Control Cover)	689	691855	Spring—Friction	883	★691893	Gasket—Exhaust
597	691696	Screw (Pawl Friction Plate)	692	690572	Spring—Detent	883A	★692237	Gasket—Exhaust
598	220624	Shim—End Play	718	690959	Pin—Locating	892	695747	Switch—Key
601	95162	Clamp—Hose	729	694371	Clip—Wire	914	697551	Screw (Rocker Cover) (Used After Code Date 02031900).
604	695749	Cover—Control	731	696690	Hood—Snow (Used After Code Date 01060700).	Note		
608	699335	Starter—Rewind (Used After Code Date 03051100).				692198		Screw (Rocker Cover) (Used Before Code Date 02032000).
		Note				914A	692557	Screw (Rocker Cover)
		696711 Starter—Rewind (Used Before Code Date 03051200 and After Code Date 01062400).				930	696709	Guard—Rewind
		695738 Starter—Rewind (Used Before Code Date 01062500).	741	695087	Gear—Timing	957	695737	Cap—Fuel Tank
613	697812	Screw (Muffler) (Used After Code Date 03030200).	742	692564	Retainer—E Ring	958	692586	Valve—Fuel Shut Off
		Note	746	692566	Gear—Idler	972	695736	Tank—Fuel
		694460 Screw (Muffler) (Used Before Code Date 03030300).	819	691685	Screw (Muffler Bracket)	975	493640	Bowl—Float
613A	691108	Screw (Muffler)	823	691665	Screw (Muffler Adapter)	976	695750	Primer—Carburetor
615	692576	Retainer—Governor Shaft	824	696017	Gasket—Heat Shield	977	695156	Gasket Set—Carburetor
			830	694544	Stud (Rocker Arm)	990	695756	Key Set
			842	691031	Seal— O Ring (Dipstick/Tube)	993	★694088	Gasket—Cylinder Head Plate
						998	695758	Pipe—Oil
						1005	692592	Fan—Flywheel

★ Included in Engine Gasket Set—Ref. No. 358.

△ Included in Carburetor Overhaul Kit—Ref. No. 121.

■ Included in Carburetor Gasket Set—Ref. No. 977.

◆ Included in Valve Gasket Set—Ref. No. 1095.

Illustrations cover a range of engines. Parts shown without corresponding text may not be used on your specific engine.

12C400

REF. NO.	PART NO.	DESCRIPTION	REF. NO.	PART NO.	DESCRIPTION	REF. NO.	PART NO.	DESCRIPTION
1019	695751	Kit-Label			(Used Before Code Date 01073000).			(Used After Code Date 01060700).
1022	★ 691890	Gasket-Rocker Cover						Note
1023	499924	Cover-Rocker Arm	1054	280275	Tie-Cable			695733 Screw (Snow Hood)
1026	693517	Rod-Push	1058	275697	Owner's Manual			(Used Before Code Date 01060800).
1029	691230	Arm-Rocker	1070	699201	Screw (Flywheel Fan)			(Used Before Code Date 01060800).
1034	691343	Guide-Push Rod			(Used After Code Date 03071300).	1210	498144	Pulley/Spring Assembly (Pulley)
1036	697004	Label-Emission (Used After Code Date 01100700).			Note	1211	498144	Pulley/Spring Assembly (Spring)
		Note			692590 Screw (Flywheel Fan)	1224	696824	Nut (Carburetor Primer)
	696766	Label-Emissions (Used Before Code Date 01100800 and After Code Date 01072900).	1095	695289	Gasket Set-Valve	1230	695709	Stud (Control Bracket)
	695041	Label-Emissions	1119	691183	Screw (Alternator)	1251	696699	Shield-Snow
			1196	696692	Screw (Snow Hood)	1330	272147	Repair Manual

★ Included in Engine Gasket Set-Ref. No. 358.

△ Included in Carburetor Overhaul Kit-Ref. No. 121.

■ Included in Carburetor Gasket Set-Ref. No. 977.

◆ Included in Valve Gasket Set-Ref. No. 1095.

Illustrations cover a range of engines. Parts shown without corresponding text may not be used on your specific engine.

6504-12

Assemblies include all parts shown in frames.

10/01/2003