

12C800 to 12C899

Illustrated Parts List

Model Series

12C800 to 12C899

TYPE NUMBERS

0600, 0633, 0634,
0635, 0808, 0815,
0816, 0817, 0830,
0831, 1108, 1116,
1117, 1120, 1700,
1908, 2308, 2320.

TO FIND

THE CORRECT NUMBER OF THE PART YOU NEED: FOLLOW THE INSTRUCTIONS BELOW

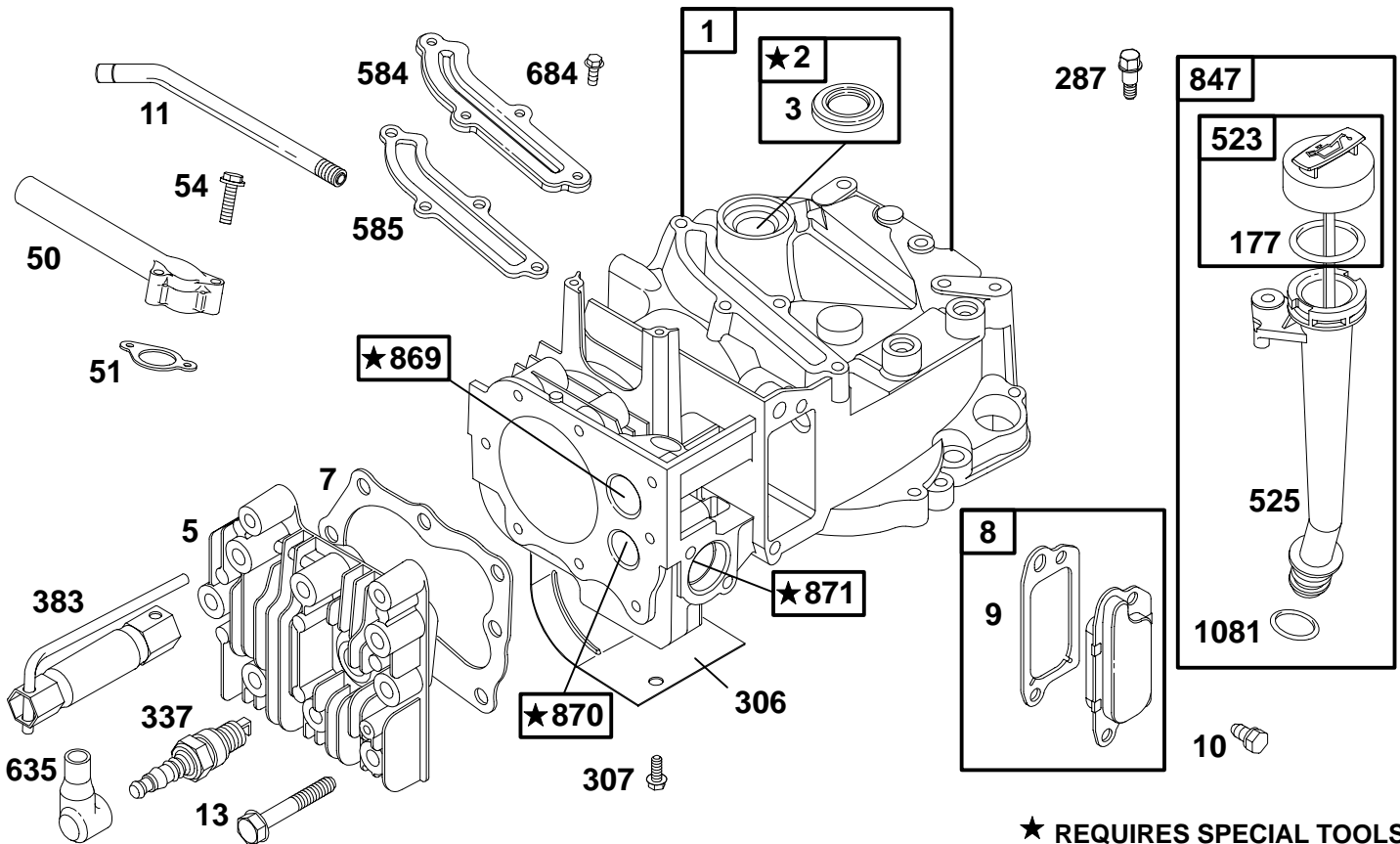
- A. Refer to Engine Model, Type and Code Number that is stamped on the blower housing of engine. Engine type numbers such as 0123 01 are listed only as 0123 in most instances. The two digits (01 or 02, etc.) to the right of the space may be required for more accurate parts identification in some instances. Select the Illustrated Parts List covering the correct Model Series and Type Number.
- B. Refer to the Illustrations and compare the original part with Illustration. The number next to the illustration is the Reference Number. Assemblies include all parts shown in frames. All parts shown in assembly frames having individual reference numbers can be purchased separately.
- C. After the Reference Number has been identified, refer to the Numerical text, where Reference and Primary Part Number are listed. **THE PRIMARY PART IS USED ON ALL TYPE NUMBERS EXCEPT THOSE TYPE NUMBERS UNDER "NOTE."**
- D. If a "Note" appears below the Primary Part Number, it means that this part differs from the Primary Part for certain types. If your Type number is listed under "Note," order the part referred to at the "Note."
- E. If your Engine Type Number does not appear after any part number listed under "Note," use the Primary Part Number.
- F. For Engine Type Numbers not covered by this book, check other Parts Lists having the same engine model or contact your source of supply.

PRINTED IN U.S.A.



COPYRIGHT by BRIGGS & STRATTON CORPORATION
All rights reserved. No part of this material may be reproduced or transmitted, in any form or by any means, electronic or mechanical, including photocopying, recording or by any information storage and retrieval system, without permission in writing from Briggs & Stratton Corporation.

12C800 to 12C899



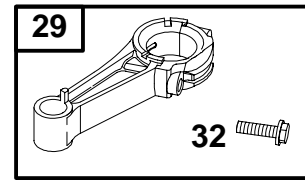
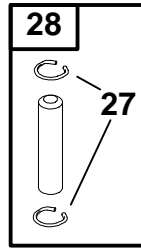
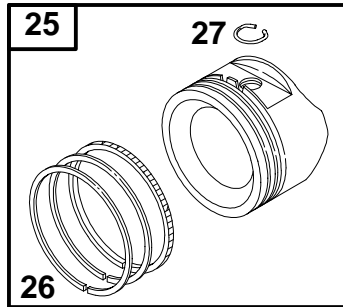
1019 LABEL KIT **1058 OWNER'S MANUAL**

★ **REQUIRES SPECIAL TOOLS TO INSTALL. SEE REPAIR INSTRUCTION MANUAL.**

REF. NO.	PART NO.	DESCRIPTION	REF. NO.	PART NO.	DESCRIPTION	REF. NO.	PART NO.	DESCRIPTION
1	494062	Cylinder Assembly	177	★691031	O-Ring Seal (Dipstick)	847	692017	Dipstick/Tube Assembly
2	399269	Bushing/Seal Kit (Magneto Side)	287	690940	Screw (Dipstick Tube)	869	691155	Valve Seat (Intake)
3	★299819	Oil Seal (Magneto Side)	306	690450	Cylinder Shield	870	690380	Valve Seat (Exhaust)
5	691160	Cylinder Head	307	690345	Screw (Cylinder Shield)	871	262001	Guide Bushing (Exhaust Valve)
7	★Ø692249	Cylinder Head Gasket	337	802592	Sparkplug			Note
8	495786	Breather Assembly	383	89838	Sparkplug Wrench			63709 Guide Bushing (Intake Valve)
9	★Ø272481	Breather Gasket	523	495264	Dipstick	1019	494256	Label Kit
10	94650	Screw (Breather Assembly)	525	495265	Dipstick Tube	1058	273693	Owner's Manual Emission Engines
11	691781	Breather Tube	584	692342	Breather Passage Cover			Note
13	690912	Screw (Cylinder Head)	585	★691879	Breather Passage Gasket			272262 Owner's Manual Non-Emission Engines
50	497465	Intake Manifold	635	66538	Sparkplug Boot			
51	★272199	Intake Gasket	684	690345	Screw (Breather Passage Cover)			
54	691650	Screw (Intake Manifold)				1081	★692296	O-Ring Seal (Dipstick Tube)

★ Included in Gasket Set—See Ref. 358.
 • Included in Carburetor Overhaul Kit—See Ref. 121.

◆ Included in Carburetor Gasket Set—See Ref. 977.
 Ø Included in Valve Overhaul Gasket Set—See Ref. 1095.



REF. NO.	PART NO.	DESCRIPTION	REF. NO.	PART NO.	DESCRIPTION	REF. NO.	PART NO.	DESCRIPTION
25	499433	Piston Assembly (Standard) (Used After Code Date 97011200). Note 494058 Piston Assy. (Standard) (Used Before Code Date 97011300). 499434 Piston Assy. (.010 O.S.) (Used After Code Date 97011200). 494059 Piston Assy. (.010 O.S.) (Used Before Code Date 97011300). 499435 Piston Assy. (.020 O.S.) (Used After Code Date 97011200). 494060 Piston Assy. (.020 O.S.) (Used Before Code Date 97011300). 499436 Piston Assy. (.030 O.S.) (Used After Code Date 97011200). 494061 Piston Assy. (.030 O.S.) (Used Before Code Date 97011300).	26	499425	Ring Set (Standard) (Used After Code Date 97011200). Note 493261 Ring Set (Standard) (Used Before Code Date 97011300). 499426 Ring Set (.010 O.S.) (Used After Code Date 97011200). 493388 Ring Set (.010 O.S.) (Used Before Code Date 97011300). 499427 Ring Set (.020 O.S.) (Used After Code Date 97011200). 493389 Ring Set (.020 O.S.) (Used Before Code Date 97011300). 499428 Ring Set (.030 O.S.) (Used After Code Date 97011200). 493390 Ring Set (.030 O.S.) (Used Before Code Date 97011300).	27	691866	Piston Pin Lock (Used After Code Date 97011200). Note 691588 Piston Pin Lock (Used Before Code Date 97011300). 28 499423 Piston Pin (Standard) (Used After Code Date 97011200). Note 298909 Piston Pin (Standard) (Used Before Code Date 97011300). 298908 Piston Pin (.005 O.S.) (Used Before Code Date 97011300). 29 499424 Connecting Rod (Standard) (Used After Code Date 97011200). Note 490566 Connecting Rod (Standard) (Used Before Code Date 97011300). 490743 Connecting Rod (.020 Undersize) (Used Before Code Date 97011300). 32 691664 Screw (Connecting Rod)

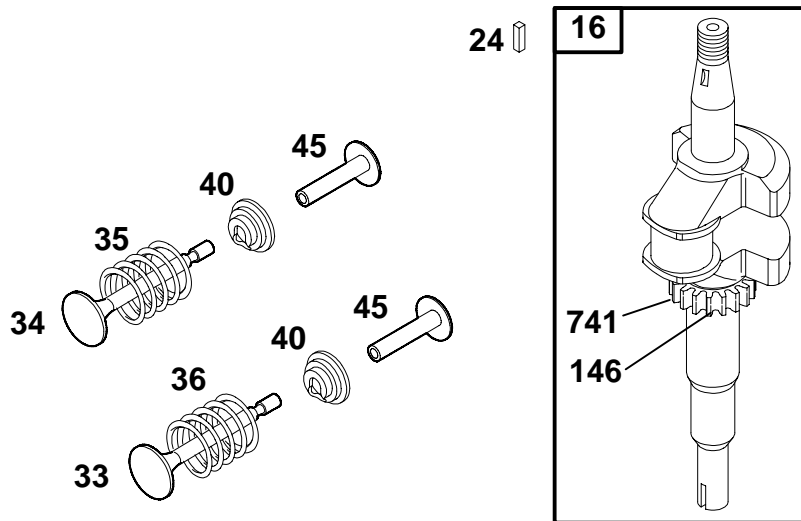
★ Included in Gasket Set—See Ref. 358.

● Included in Carburetor Overhaul Kit—See Ref. 121.

◆ Included in Carburetor Gasket Set—See Ref. 977.

⊘ Included in Valve Overhaul Gasket Set—See Ref. 1095.

12C800 to 12C899



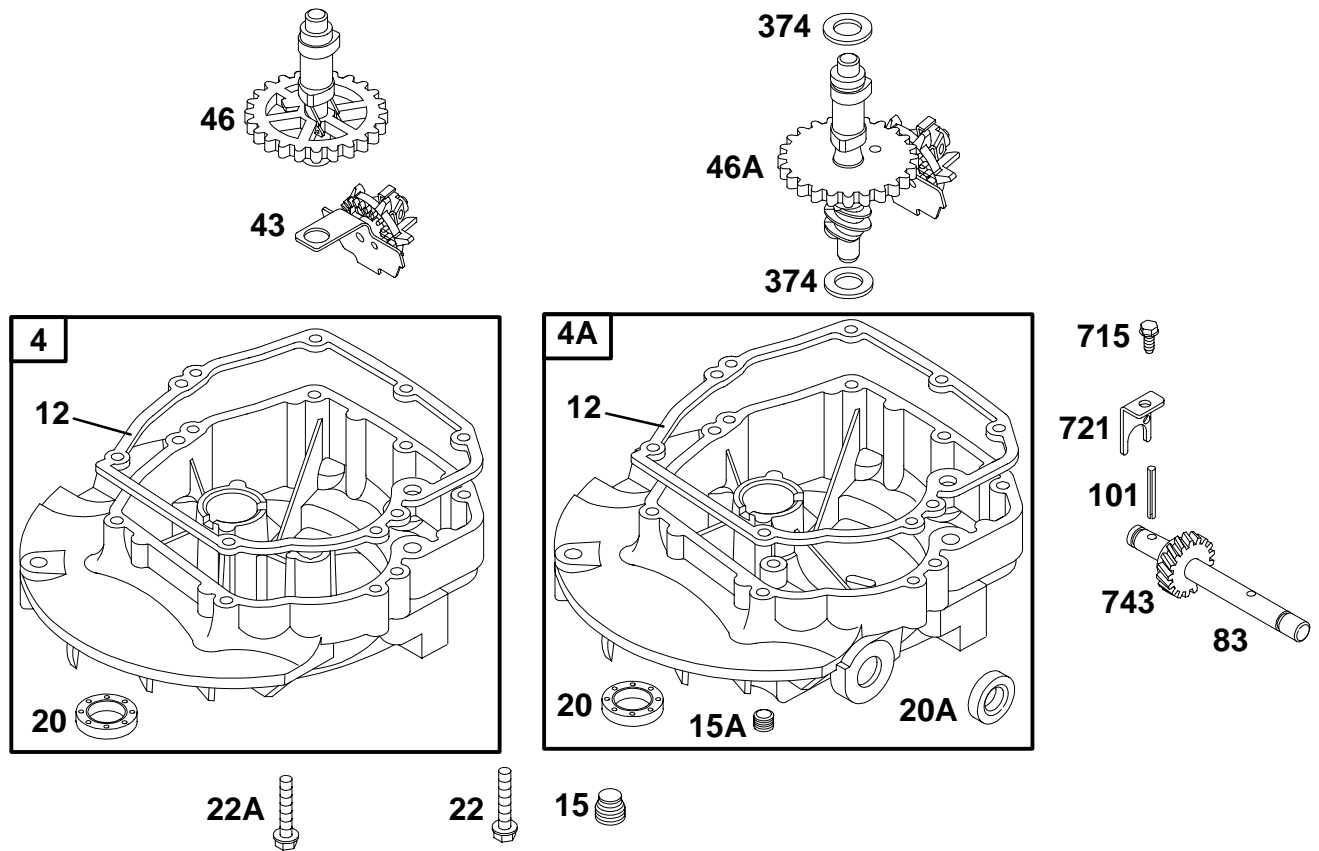
REF. NO.	PART NO.	DESCRIPTION	REF. NO.	PART NO.	DESCRIPTION	REF. NO.	PART NO.	DESCRIPTION
16	691451	Crankshaft (Used After Code Date 97011200). Note 493362 Crankshaft (Used Before Code Date 97011300). 691450 Crankshaft (Used After Code Date 97011200). Used on Type No(s). 0600, 0808, 1108 1700, 1908, 2308. 493282 Crankshaft (Used Before Code Date 97011300). Used on Type No(s). 0600, 0808, 1108.			691452 Crankshaft (Used After Code Date 97011200). Used on Type No(s). 0817, 1116. 694059 Crankshaft (Used Before Code Date 97011300). Used on Type No(s). 0817, 1116. 691455 Crankshaft (Used After Code Date 97011200). Used on Type No(s). 0831. 691375 Crankshaft (Used Before Code Date 97011300). Used on Type No(s). 0831.			24 222698 Flywheel Key 33 262651 Exhaust Valve 34 262652 Intake Valve 35 691270 Valve Spring (Intake) 36 691270 Valve Spring (Exhaust) 40 692194 Valve Retainer 45 690548 Valve Tappet 146 690979 Timing Key 741 691830 Timing Gear

★ Included in Gasket Set—See Ref. 358.

● Included in Carburetor Overhaul Kit—See Ref. 121.

◆ Included in Carburetor Gasket Set—See Ref. 977.

∅ Included in Valve Overhaul Gasket Set—See Ref. 1095.



REF. NO.	PART NO.	DESCRIPTION	REF. NO.	PART NO.	DESCRIPTION	REF. NO.	PART NO.	DESCRIPTION
4	493279	Engine Sump	46A	691460	Camshaft (Clockwise) (Used After Code Date 96060200).	101	691623	Shaft Pin
4A	493365	Engine Sump				374	691074	Washer (Camshaft)
12	★692232	Crankcase Gasket			Note	715	94874	Screw (Stop Shaft)
15	691980	Oil Drain Plug			493740 Camshaft (Clockwise) (Used Before Code Date 96060300).	721	690664	Shaft Stop
15A	691093	Oil Drain Plug			691459 Camshaft (Counterclockwise) (Used After Code Date 96060200). Used on Type No(s). 0635.	743	690516	Drive Gear
20	★399781	Oil Seal (PTO Side)			493738 Camshaft (Counterclockwise) (Used Before Code Date 96060300). Used on Type No(s). 0635.			Note
20A	691952	Oil Seal (PTO Side)						691772 Drive Gear (Counterclockwise) Used on Type No(s). 0635.
22	691092	Screw (Crankcase Cover/ Sump)	83	691778	Auxiliary Drive Shaft			
22A	94612	Screw (Crankcase Cover/ Sump) (Used in Hole Nearest Breather)			Note			
43	691997	Governor/Oil Slinger			690521 Auxiliary Drive Shaft (Used on Type No(s). 0635).			
46	691449	Camshaft (Used After Code Date 96060200).						
		Note						
		492830 Camshaft (Used Before Code Date 96060300).						

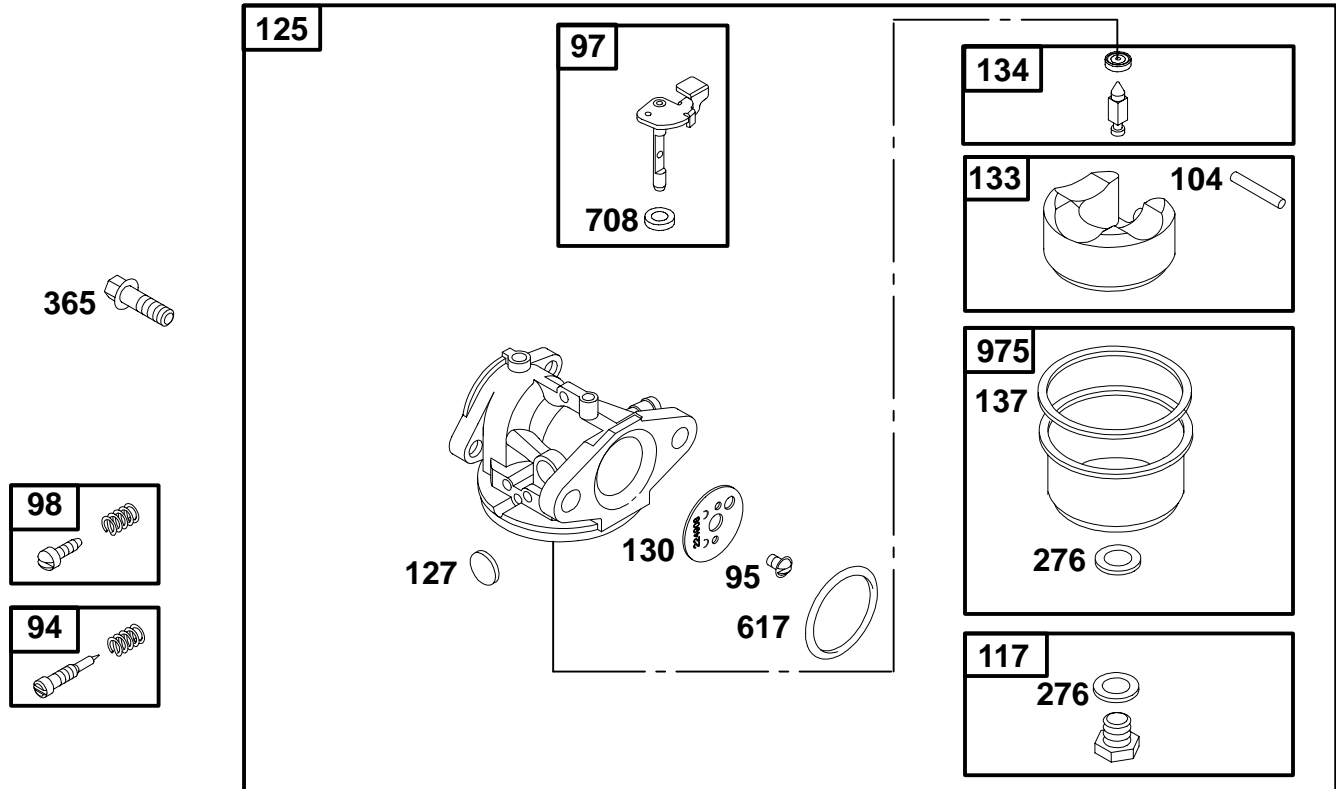
★ Included in Gasket Set—See Ref. 358.

● Included in Carburetor Overhaul Kit—See Ref. 121.

◆ Included in Carburetor Gasket Set—See Ref. 977.

∅ Included in Valve Overhaul Gasket Set—See Ref. 1095.

12C800 to 12C899



REF. NO.	PART NO.	DESCRIPTION	REF. NO.	PART NO.	DESCRIPTION	REF. NO.	PART NO.	DESCRIPTION
94	493765	Idle Mixture Kit Used on Type No(s). 0633, 0634.	125	498966	Carburetor (Used After Code Date 96060200). Note _____ 498254 Carburetor (Used After Code Date 95102900 and Before Code Date 96060300). 498170 Carburetor (Used After Code Date 94070300 and Before Code Date 95103000). Used on Type No(s). 0633, 0634. 496114 Carburetor (Used Before Code Date 94070400). Used on Type No(s). 0633, 0634.	127	•	Welch Plug (Sold in Kit Only)
95	691636	Screw (Throttle Valve)				130	691203	Throttle Valve (Used After Code Date 94070300). Note _____ 691181 Throttle Valve (Used Before Code Date 94070400). Used on Type No(s). 0633, 0634.
97	493267	Throttle Shaft				133	398187	Carburetor Float
98	398185	Idle Speed Kit Used on Type No(s). 0633, 0634.				134	•398188	Needle/Seat Kit
104	•691242	Float Hinge Pin				137	◆◆	Float Bowl Gasket (Sold in Kit Only)
117	498975	Main Jet (Standard) (Used After Code Date 96060200). Note _____ 497466 Main Jet (Standard) (Used Before Code Date 96060300). 493637 Main Jet (Standard) (Used Before Code Date 94070400). Used on Type No(s). 0633, 0634.				276	◆◆	Sealing Washer (Sold in Kit Only)
						365	692524	Screw (Carburetor)
						617	◆◆270344	O-Ring Seal (Intake Manifold)
						708	◆◆691321	Dust Seal (Throttle Shaft)
						975	493640	Float Bowl

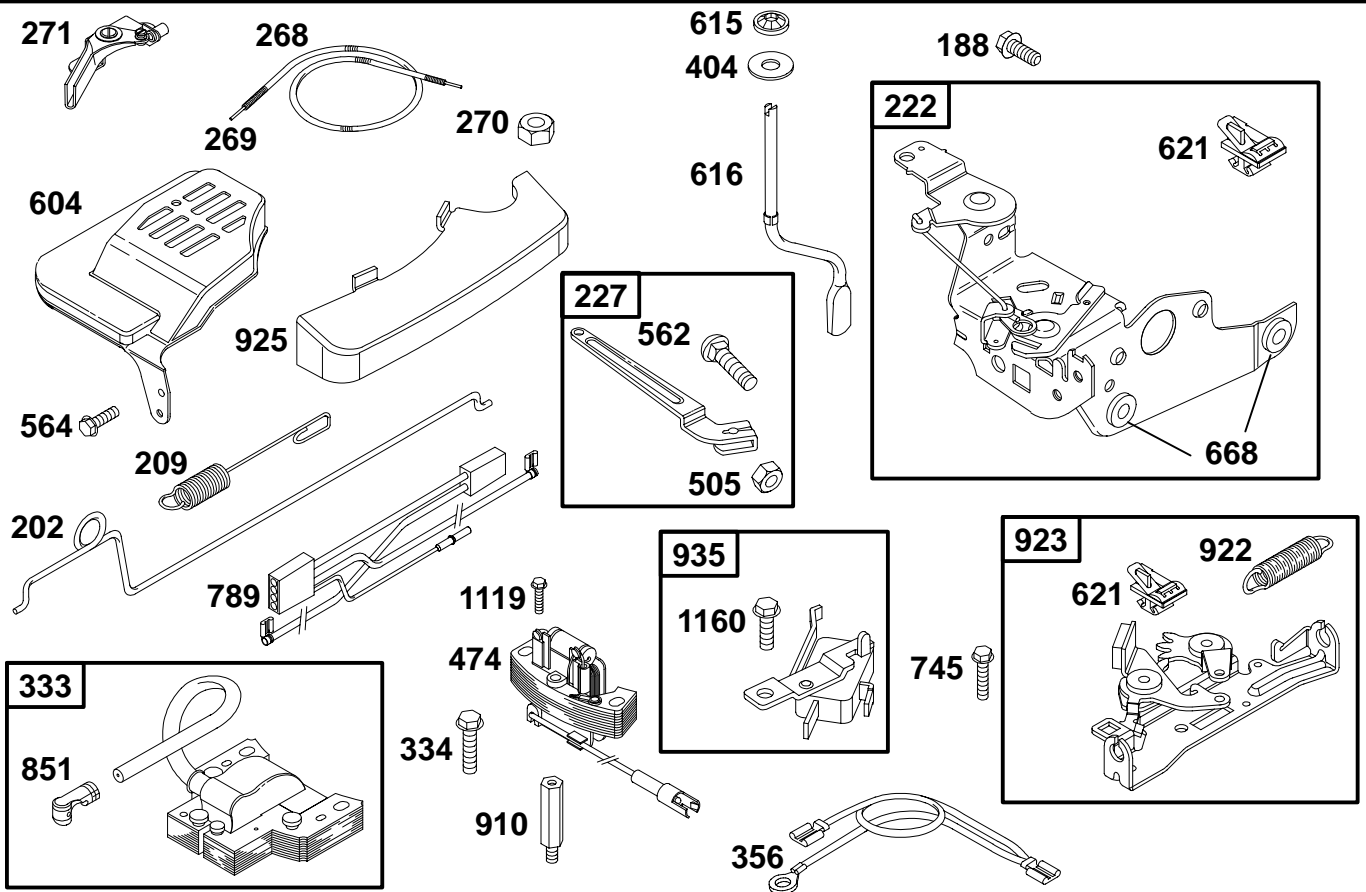
★ Included in Gasket Set—See Ref. 358.

● Included in Carburetor Overhaul Kit—See Ref. 121.

◆ Included in Carburetor Gasket Set—See Ref. 977.

⊘ Included in Valve Overhaul Gasket Set—See Ref. 1095.

12C800 to 12C899



REF. NO.	PART NO.	DESCRIPTION	REF. NO.	PART NO.	DESCRIPTION	REF. NO.	PART NO.	DESCRIPTION
188	690877	Screw (Control Bracket)	269	691589	Control Wire (54" Long Cut to Required Length)	616	691306	Governor Crank
202	691829	Mechanical Governor Link		691026	Control Wire (78" Long Cut to Required Length)	621	692310	Stop Switch
209	690319	Governor Spring Note 691292 Governor Spring Used on Type No(s). 0600, 0808, 0830, 0831, 1108, 1700, 1908, 2308.	270	691027	Nut (Control Wire Casing)	668	★493823	Spacer (Includes 2)
222	692031	Control Bracket	271	691028	Control Lever	745	691648	Screw (Brake)
227	690783	Governor Control Lever	333	802574	Magneto Armature	789	691372	Wiring Harness
268	691072	Control Wire Casing (48" Long Cut to Required Length) 691025 Control Wire Casing (72" Long Cut to Required Length)	334	691061	Screw (Magneto Armature)	851	493880	Sparkplug Terminal
			356	398808	Stop Wire	910	691094	Stud (Alternator)
			404	690272	Washer (Governor Crank)	922	691831	Brake Spring
			474	691991	Alternator	923	691994	Brake
			505	231082	Nut (Gov. Control Lever)	925	690595	Linkage Cover
			562	94852	Bolt (Gov. Control Lever)	935	499421	Interlock Switch (Used After Code Date 92100700).
			564	691683	Screw (Control Cover)			Note 398758 Interlock Switch (Used Before Code Date 92100800).
			604	691757	Control Cover	1119	691648	Screw (Alternator)
			615	690340	Governor Shaft Retainer	1160	691627	Screw (Interlock Switch)

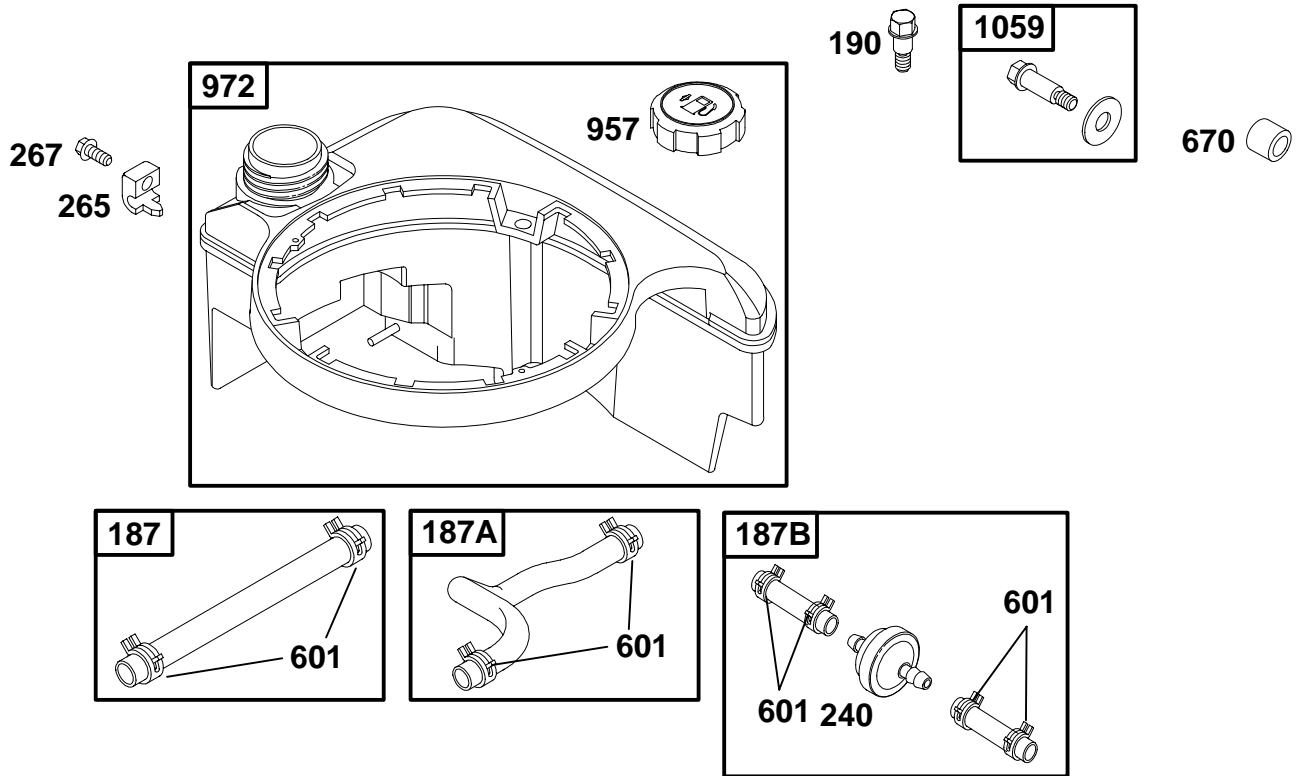
★ Included in Gasket Set—See Ref. 358.

● Included in Carburetor Overhaul Kit—See Ref. 121.

◆ Included in Carburetor Gasket Set—See Ref. 977.

⊘ Included in Valve Overhaul Gasket Set—See Ref. 1095.

12C800 to 12C899



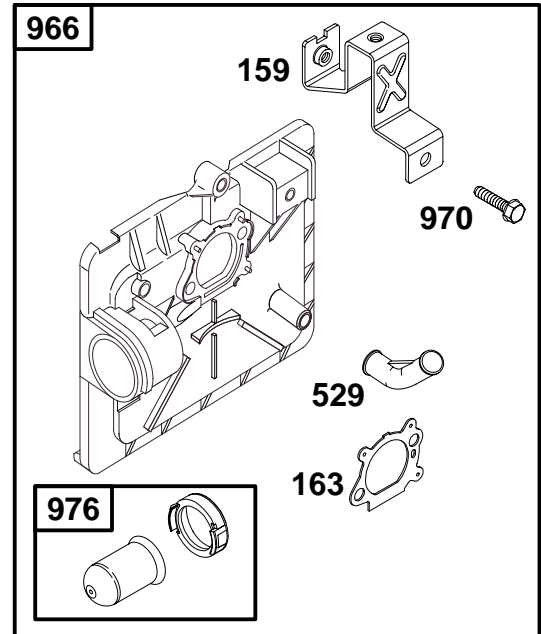
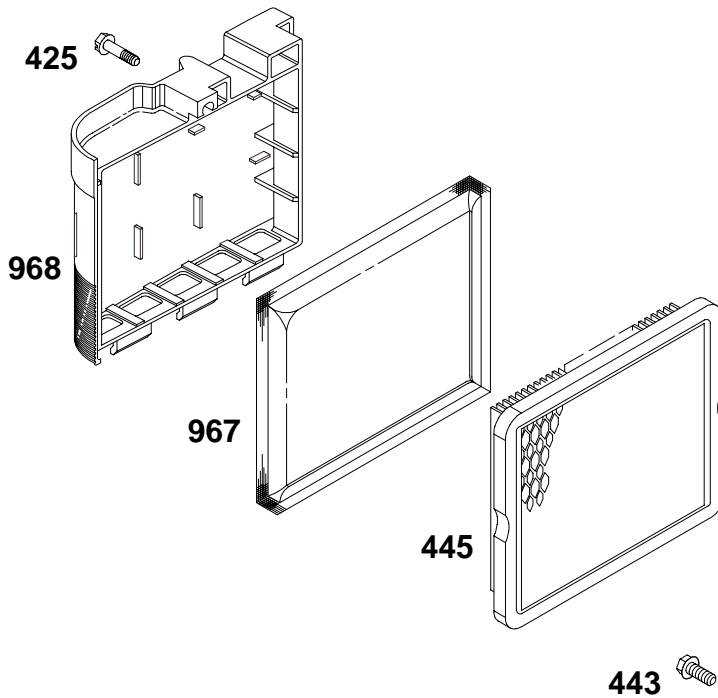
REF. NO.	PART NO.	DESCRIPTION	REF. NO.	PART NO.	DESCRIPTION	REF. NO.	PART NO.	DESCRIPTION
187	691050	Fuel Line	240	298090	Fuel Filter	670	692294	Fuel Tank Spacer
187A	691371	Fuel Line	265	690798	Casing Clamp	957	397974	Fuel Tank Cap
187B	692042	Fuel Line	267	691044	Screw (Casing Clamp)	972	495224	Fuel Tank
190	690940	Screw (Fuel Tank)	601	95162	Fuel Line Clamp	1059	692311	Screw/Washer Kit

★ Included in Gasket Set—See Ref. 358.

● Included in Carburetor Overhaul Kit—See Ref. 121.

◆ Included in Carburetor Gasket Set—See Ref. 977.

∅ Included in Valve Overhaul Gasket Set—See Ref. 1095.



REF. NO.	PART NO.	DESCRIPTION	REF. NO.	PART NO.	DESCRIPTION	REF. NO.	PART NO.	DESCRIPTION
159	691753	Air Cleaner Primer Bracket	529	691923	Grommet	976	694395	Carburetor Primer (Used After Code Date 99051200).
163	★◆272653	Air Cleaner Gasket	966	496116	Air Cleaner Primer Base	<p align="center">Note</p>		496115 Carburetor Primer (Used Before Code Date 99051300).
425	690670	Screw (Air Cleaner Cover)	967	493537	Pre-Cleaner Filter			
443	692523	Screw (Air Cleaner Primer Base)	968	692298	Air Cleaner Cover			
445	491588	A/C Cartridge Filter	970	691669	Screw (Air Cleaner Primer Bracket)			

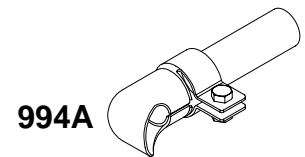
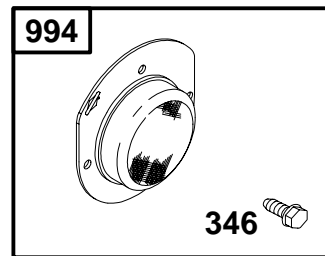
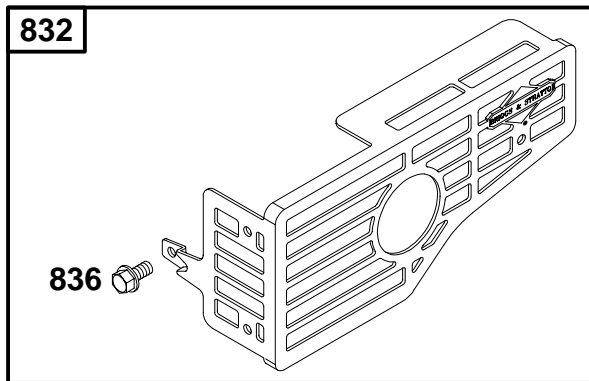
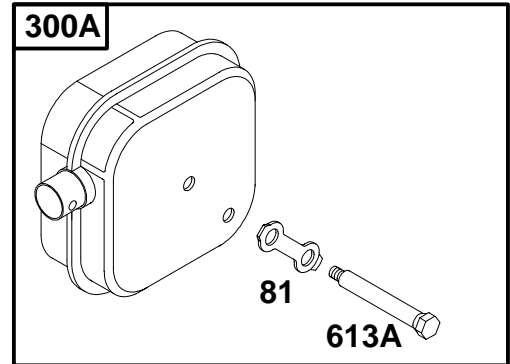
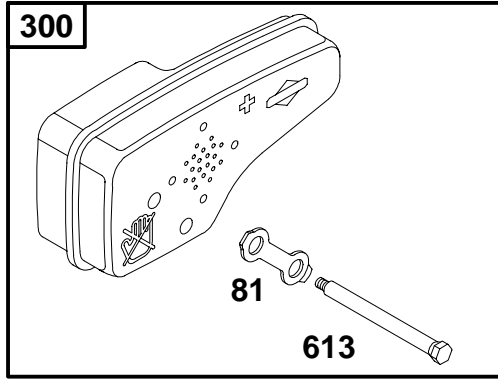
★ Included in Gasket Set—See Ref. 358.

● Included in Carburetor Overhaul Kit—See Ref. 121.

◆ Included in Carburetor Gasket Set—See Ref. 977.

∅ Included in Valve Overhaul Gasket Set—See Ref. 1095.

12C800 to 12C899



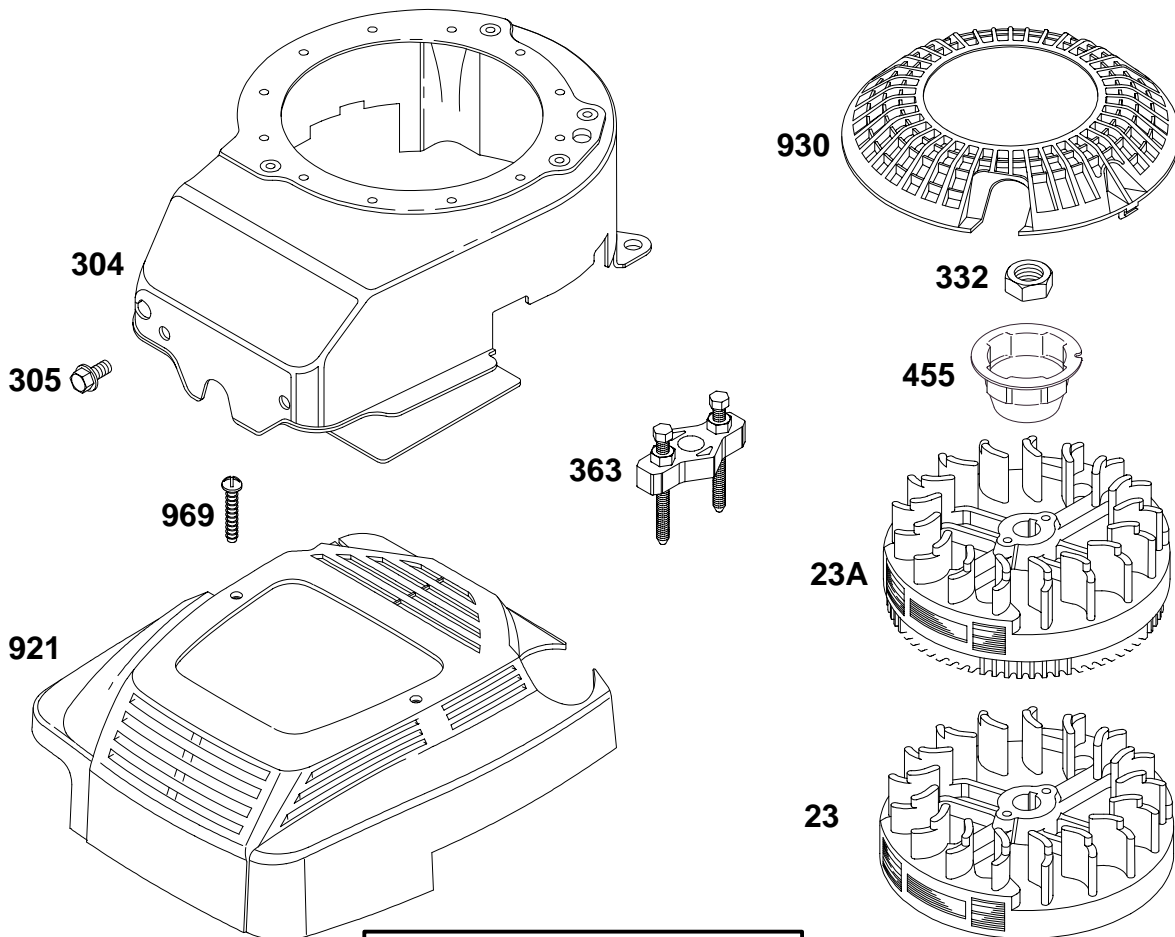
REF. NO.	PART NO.	DESCRIPTION	REF. NO.	PART NO.	DESCRIPTION	REF. NO.	PART NO.	DESCRIPTION
81	691740	Muffler Screw Lock	613	691340	Screw (Muffler)	836	690664	Screw (Muffler Guard)
300	496106	Exhaust Muffler	613A	691653	Screw (Muffler)	883	★Ø691881	Exhaust Gasket
300A	494343	Exhaust Muffler	832	499034	Muffler Guard	994	398067	Spark Arrester
346	690661	Screw (Spark Arrester)				994A	692957	Spark Arrester

★ Included in Gasket Set—See Ref. 358.

● Included in Carburetor Overhaul Kit—See Ref. 121.

◆ Included in Carburetor Gasket Set—See Ref. 977.

Ø Included in Valve Overhaul Gasket Set—See Ref. 1095.



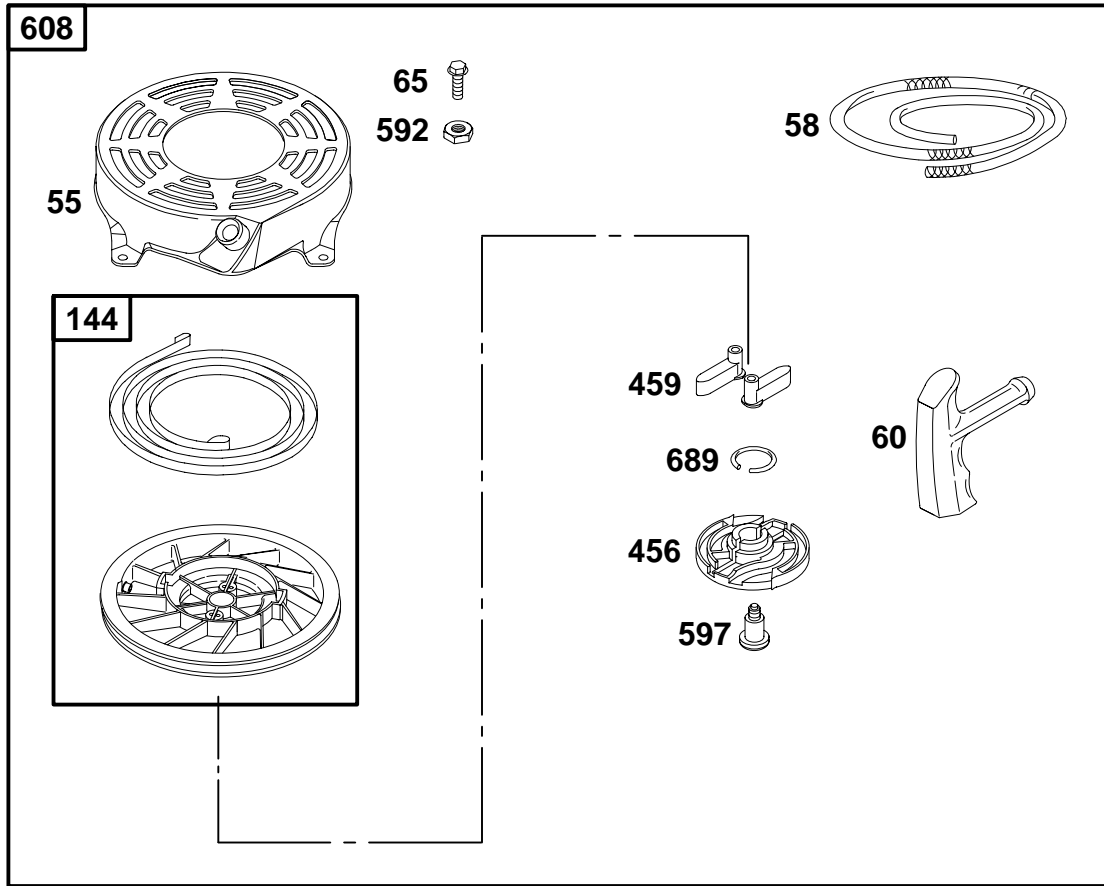
1036 EMISSIONS LABEL

REF. NO.	PART NO.	DESCRIPTION	REF. NO.	PART NO.	DESCRIPTION	REF. NO.	PART NO.	DESCRIPTION
23	692315	Flywheel	455	691219	Flywheel Cup	1036	694458	Emissions Label (Used After Code Date 98123100).
23A	691987	Flywheel	921	497233	Blower Housing Cover	Note 499341 Emissions Label (Used Before Code Date 99010100).		
304	493293	Blower Housing	930	691919	Rewind Guard			
305	691108	Screw (Blower Housing)	969	690700	Screw (Blower Housing Cover)			
332	690662	Nut (Flywheel)						
363	19069	Flywheel Puller						

★ Included in Gasket Set—See Ref. 358.
 ● Included in Carburetor Overhaul Kit—See Ref. 121.

◆ Included in Carburetor Gasket Set—See Ref. 977.
 ∅ Included in Valve Overhaul Gasket Set—See Ref. 1095.

12C800 to 12C899



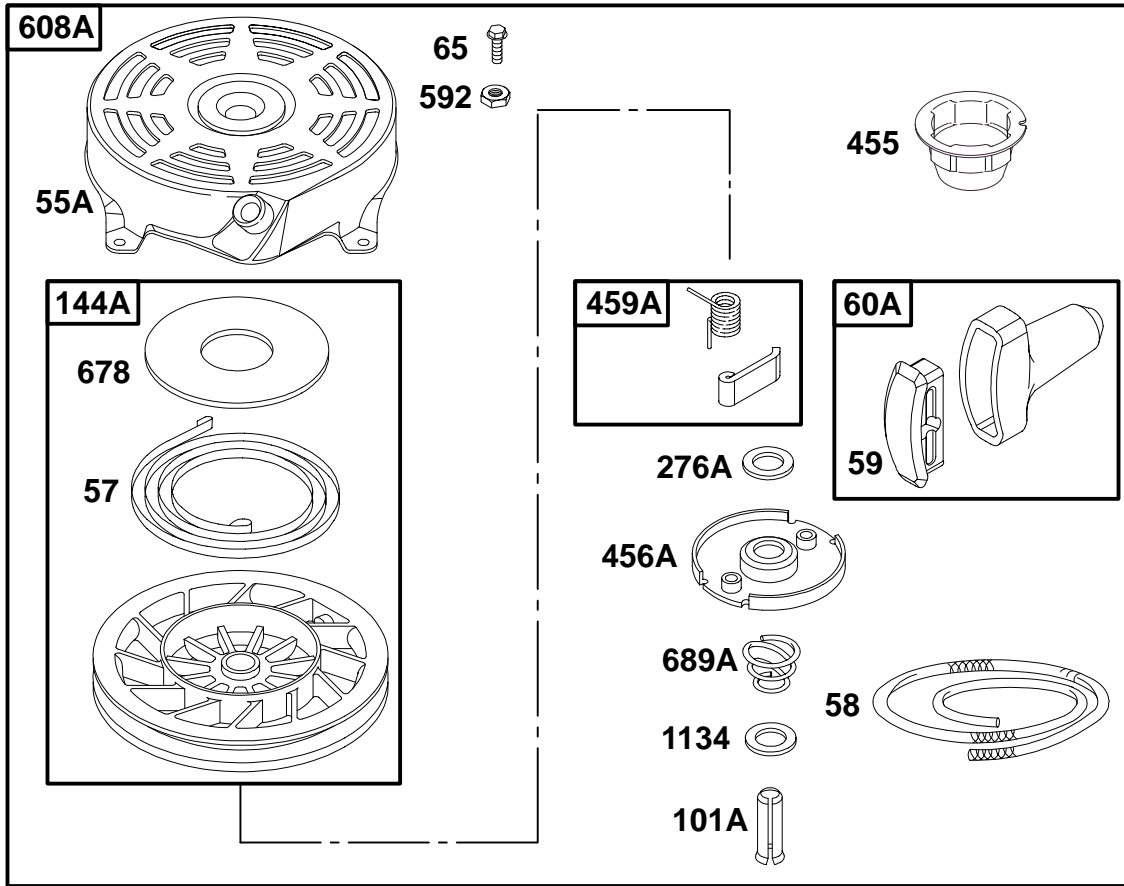
REF. NO.	PART NO.	DESCRIPTION	REF. NO.	PART NO.	DESCRIPTION	REF. NO.	PART NO.	DESCRIPTION
55	691421	Rewind Starter Housing	144	498144	Pulley/Spring Assembly	592	690800	Nut (Rewind Starter)
58	280399	Starter Rope (Cut to Required Length)	456	692299	Pawl Friction Plate	608	497680	Rewind Starter
60	281434	Starter Rope Grip	459	281505	Ratchet Pawl	689	691855	Friction Spring
65	690759	Screw (Rewind Starter)	597	691696	Screw (Pawl Friction Plate)			

★ Included in Gasket Set—See Ref. 358.

● Included in Carburetor Overhaul Kit—See Ref. 121.

◆ Included in Carburetor Gasket Set—See Ref. 977.

∅ Included in Valve Overhaul Gasket Set—See Ref. 1095.



REF. NO.	PART NO.	DESCRIPTION	REF. NO.	PART NO.	DESCRIPTION	REF. NO.	PART NO.	DESCRIPTION
55A	492831	Rewind Starter Housing	60A	393152	Starter Rope Grip	592	690800	Nut (Rewind Starter)
144A	493824	Pulley/Spring Assembly	65	690759	Screw (Rewind Starter)	608A	497598	Rewind Starter (Ref. No. 455)
57	491889	Rewind Starter Spring	101A	262626	Shaft Pin	678	224278	Rewind Spacer
58	280399	Starter Rope (Cut to Required Length)	276A	280973	Sealing Washer	689A	262625	Friction Spring
59	396892	Grip Insert	455	691219	Flywheel Cup	1134	224322	Washer (Pawl Friction Plate)
			455A	224250	Flywheel Cup			
			456A	224321	Pawl Friction Plate			
			459A	492833	Pawl Ratchet			

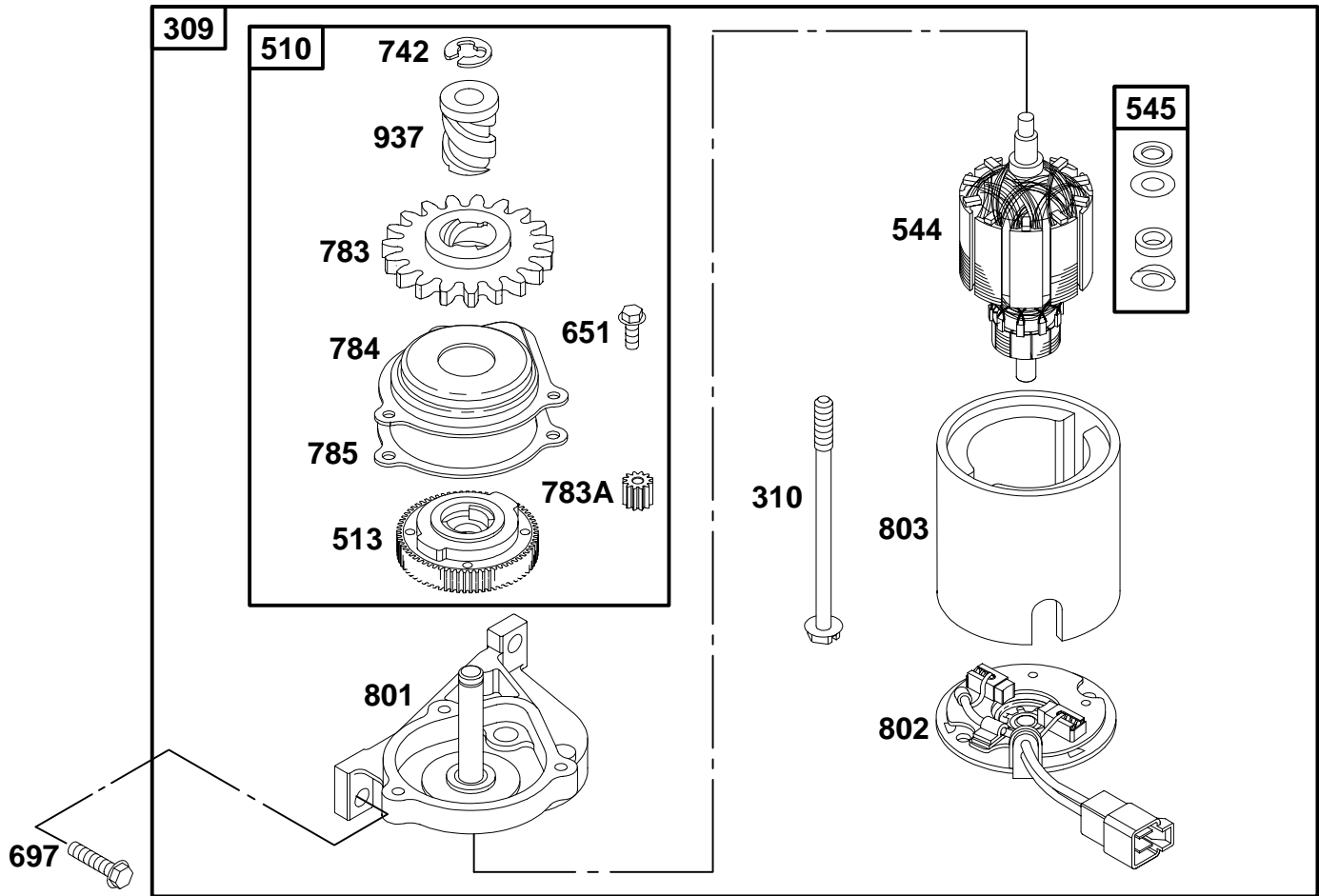
★ Included in Gasket Set—See Ref. 358.

● Included in Carburetor Overhaul Kit—See Ref. 121.

◆ Included in Carburetor Gasket Set—See Ref. 977.

∅ Included in Valve Overhaul Gasket Set—See Ref. 1095.

12C800 to 12C899



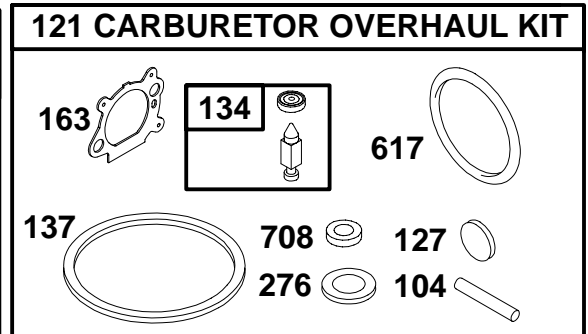
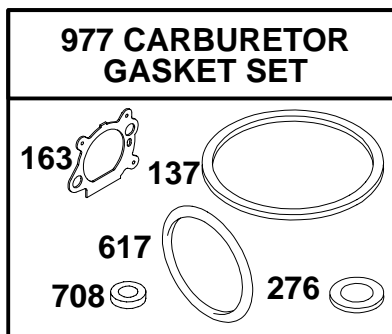
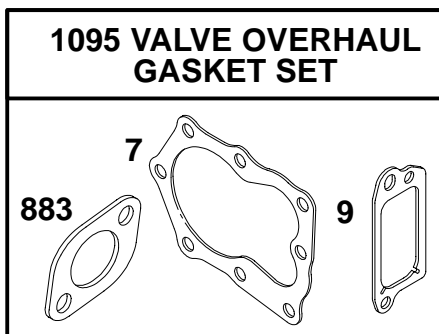
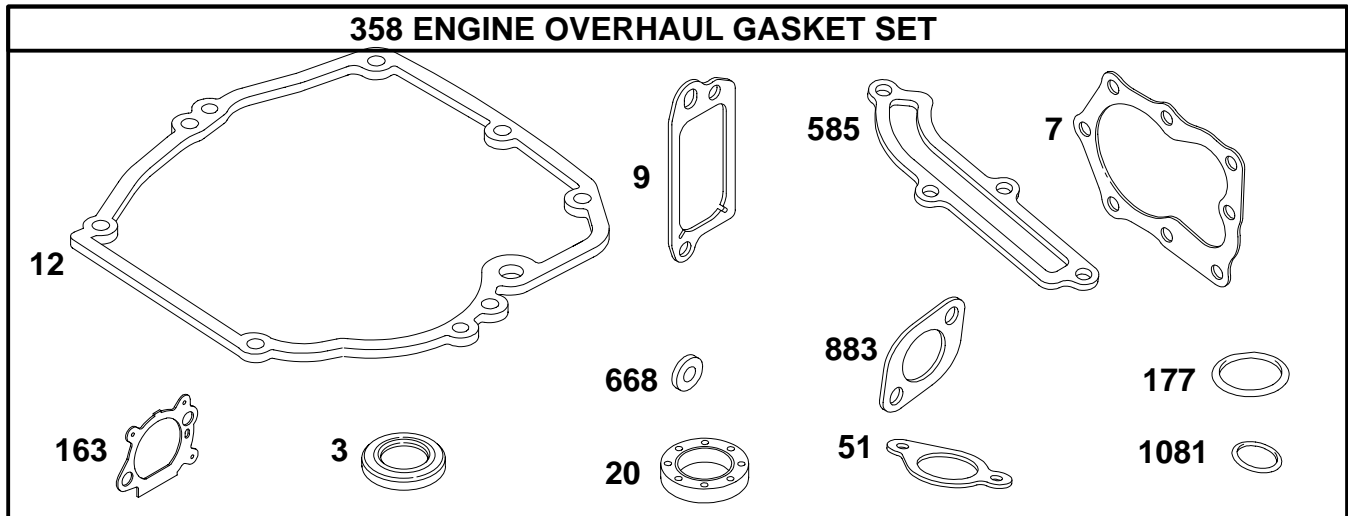
REF. NO.	PART NO.	DESCRIPTION	REF. NO.	PART NO.	DESCRIPTION	REF. NO.	PART NO.	DESCRIPTION
309	691376	Starter Motor	545	492919	Washer Set (Starter Motor)	783A	691269	Pinion Gear
310	692327	Bolt (Starter Motor)	651	690345	Screw (Starter Gear Cover)	784	692341	Starter Gear Cover
510	494147	Starter Drive	697	691127	Screw (Drive Cap)	785	692352	Starter Cover Gasket
513	692358	Drive Clutch	742	93941	E-Ring Retainer	801	690782	Drive Cap
544	690786	Starter Armature	783	691918	Pinion Gear	802	690787	End Cap
						803	690785	Starter Housing
						937	691325	Starter Spline

★ Included in Gasket Set—See Ref. 358.

● Included in Carburetor Overhaul Kit—See Ref. 121.

◆ Included in Carburetor Gasket Set—See Ref. 977.

⊘ Included in Valve Overhaul Gasket Set—See Ref. 1095.



REF. NO.	PART NO.	DESCRIPTION	REF. NO.	PART NO.	DESCRIPTION	REF. NO.	PART NO.	DESCRIPTION
3	★299819	Oil Seal (Magneto Side)	134	◆398188	Needle/Seat Kit	617	◆◆270344	O-Ring Seal (Intake Manifold)
7	★∅692249	Cylinder Head Gasket	137	◆◆	Bowl Gasket (Sold in Kit Only)	668	★493823	Spacer (Includes 2)
9	★∅272481	Breather Gasket	163	◆◆.272653	Air Cleaner Gasket	708	◆◆691321	Dust Seal (Throttle Shaft)
12	★692232	Crankcase Gasket	177	★691031	O-Ring Seal (Dipstick)	883	★∅691881	Exhaust Gasket
20	★399781	Oil Seal (PTO Side)	276	◆◆	Sealing Washer (Sold in Kit Only)	977	498261	Carburetor Gasket Set
51	★272199	Intake Gasket	358	497316	Engine Overhaul Gasket Set	1081	★692296	O-Ring Seal (Dipstick Tube)
104	◆691242	Float Hinge Pin	585	★691879	Breather Passage Gasket	1095	498528	Valve Overhaul Gasket Set
121	498260	Carburetor Overhaul Kit						
127	◆	Welch Plug (Sold in Kit Only)						

★ Included in Gasket Set—See Ref. 358.

◆ Included in Carburetor Overhaul Kit—See Ref. 121.

◆◆ Included in Carburetor Gasket Set—See Ref. 977.

∅ Included in Valve Overhaul Gasket Set—See Ref. 1095.