

12D400

Illustrated Parts List

Model Series

12D400

TYPE NUMBERS
0007 through 0110.

TABLE OF CONTENTS

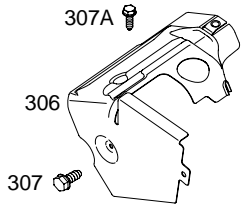
Blower Housing/Shrouds	7
Cams	4
Carburetor	5
Controls	6
Crankcase Cover/Sump	2
Crankshaft	4
Cylinder	2
Electric Starter	8
Flywheel	7
Fuel Tank	5
Governor Spring	6
Head	3
Ignition	6
Kits/Gaskets – Carburetor	5
Kits/Gaskets – Engine	2
Muffler	8
Oil Group	2
Piston Group	4
Rewind Starter	8
Valves	3



PRINTED IN U.S.A.

COPYRIGHT by BRIGGS & STRATTON CORPORATION
All rights reserved. No part of this material may be reproduced or transmitted, in any form or by any means, electronic or mechanical, including photocopying, recording or by any information storage and retrieval system, without permission in writing from Briggs & Stratton Corporation.

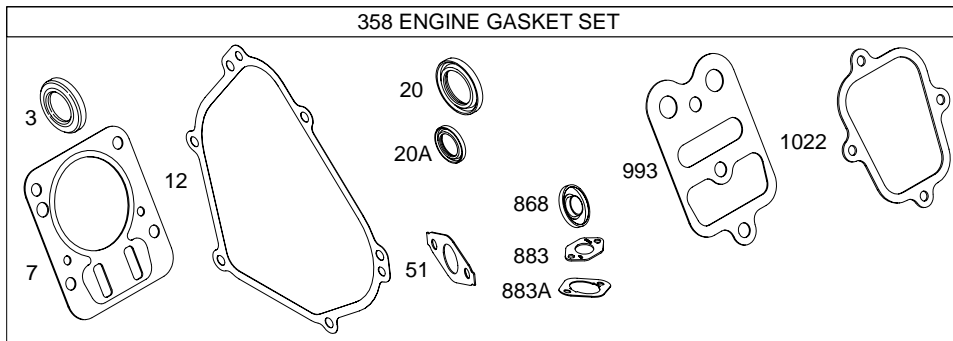
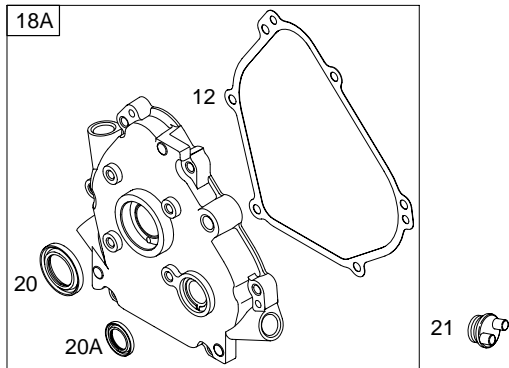
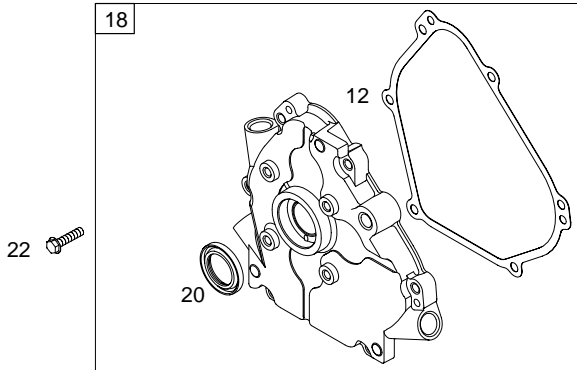
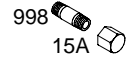
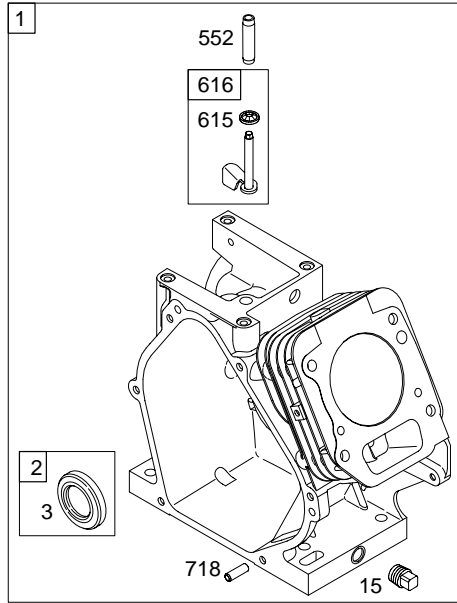
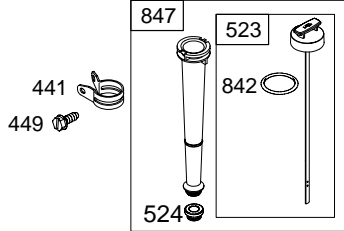
12D400



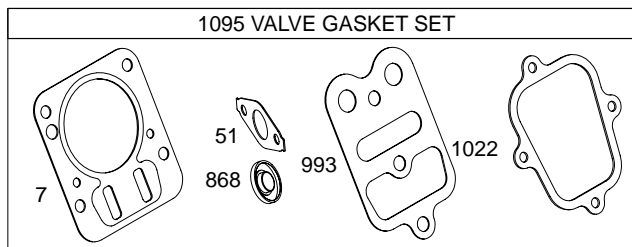
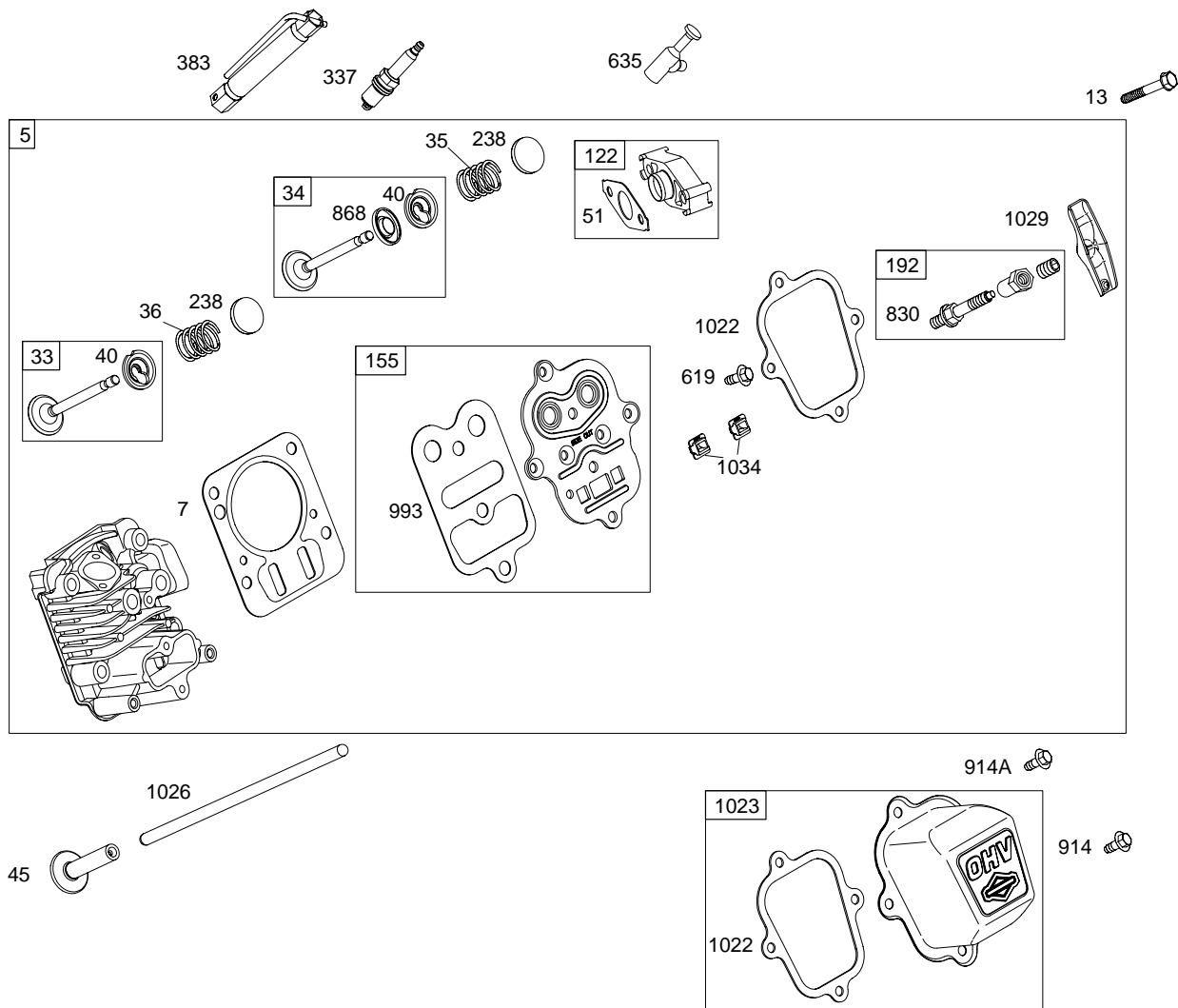
1019 LABEL KIT

1058 OWNER'S MANUAL

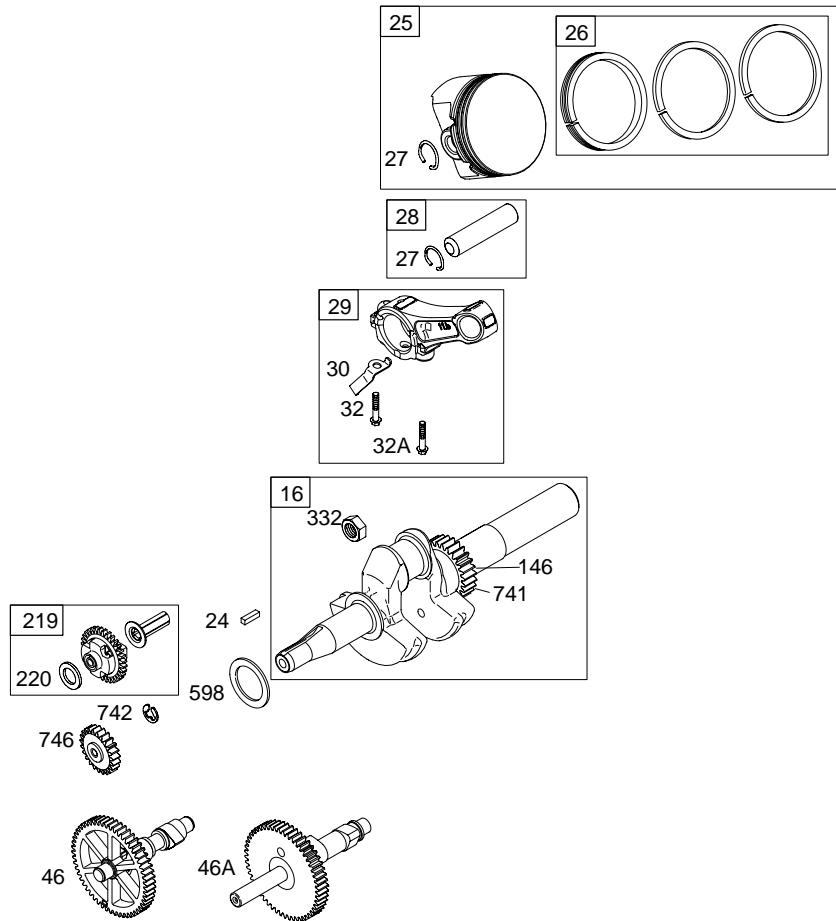
1330 REPAIR MANUAL



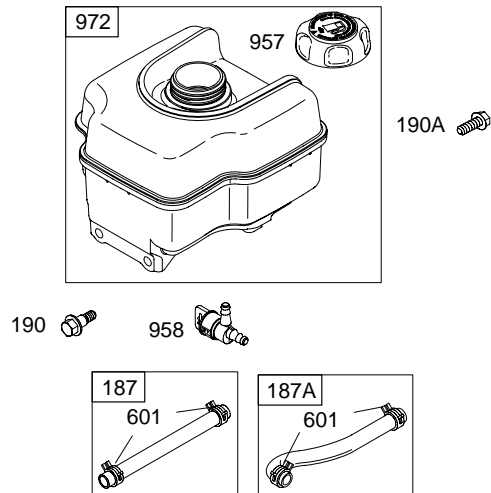
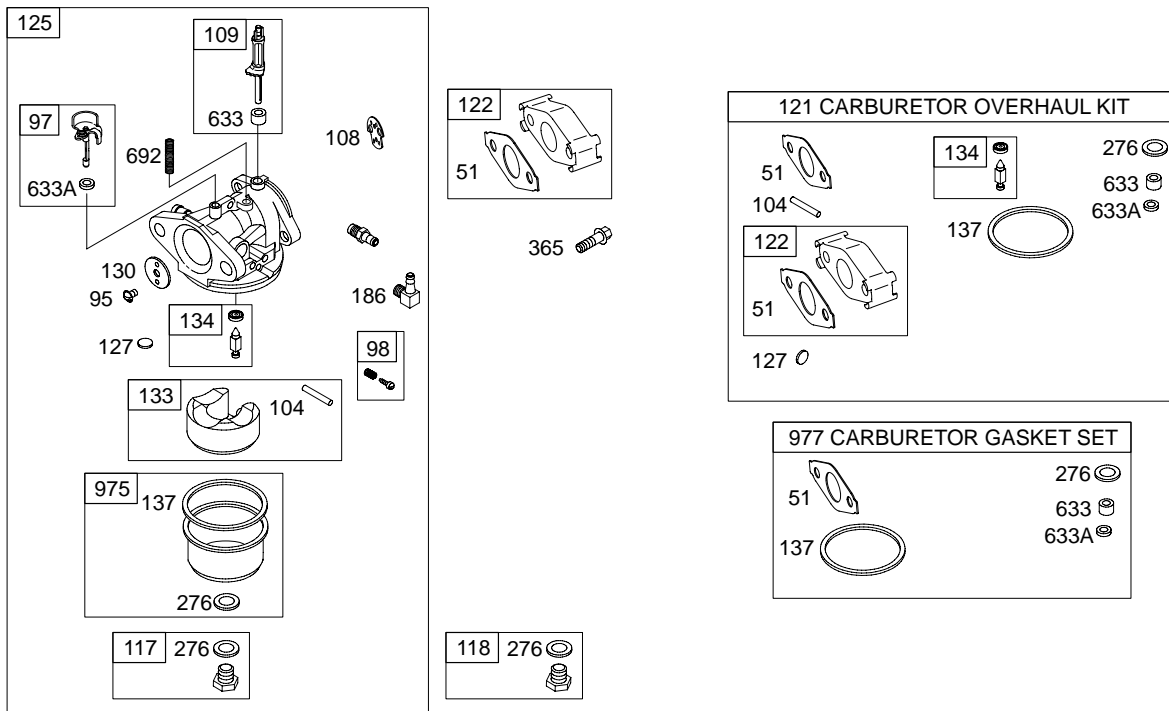
Illustrations cover a range of engines. Parts shown without corresponding text may not be used on your specific engine.
 6505-2 Assemblies include all parts shown in frames. 11/24/2003

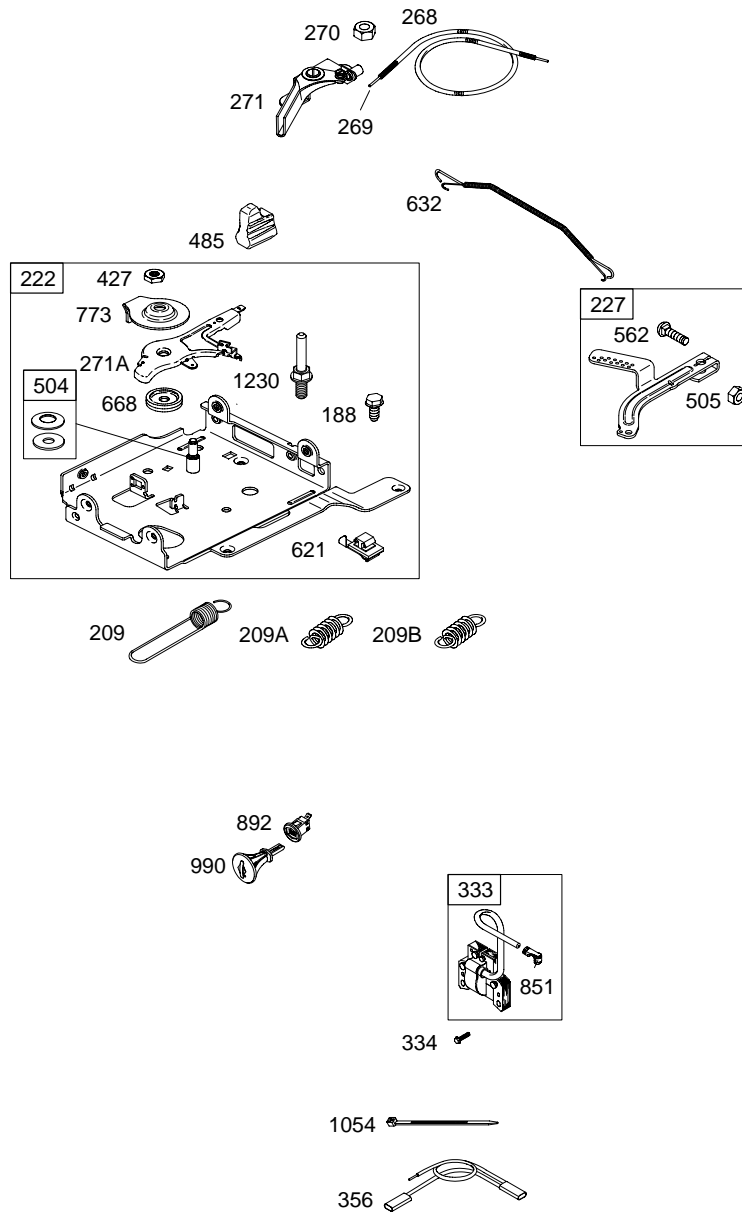


Illustrations cover a range of engines. Parts shown without corresponding text may not be used on your specific engine.
6505-3 Assemblies include all parts shown in frames. **11/24/2003**

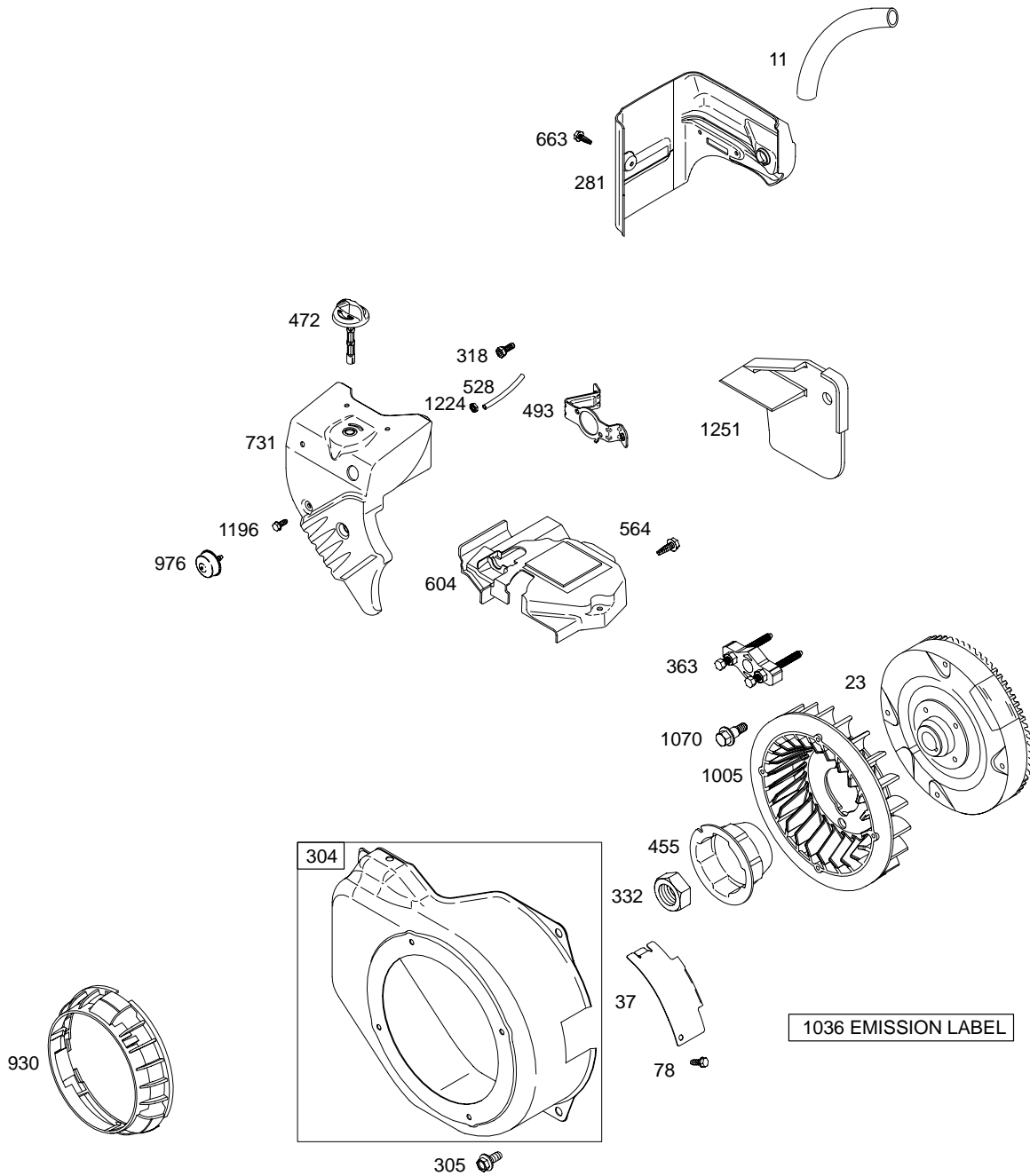


Illustrations cover a range of engines. Parts shown without corresponding text may not be used on your specific engine.

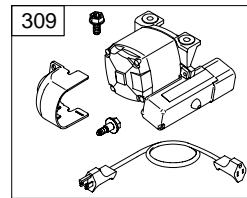
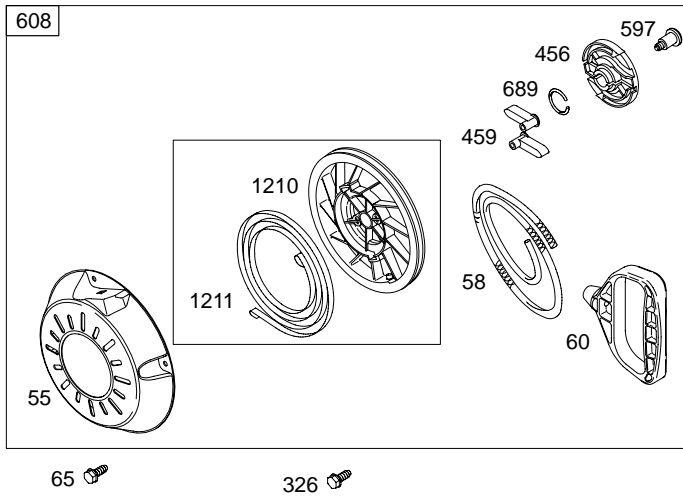
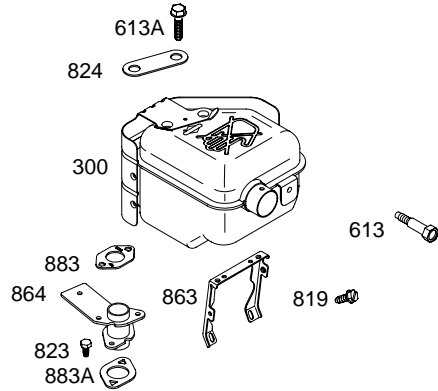




Illustrations cover a range of engines. Parts shown without corresponding text may not be used on your specific engine.
6505-6 Assemblies include all parts shown in frames. 11/24/2003



Illustrations cover a range of engines. Parts shown without corresponding text may not be used on your specific engine.



Illustrations cover a range of engines. Parts shown without corresponding text may not be used on your specific engine.
6505-8 Assemblies include all parts shown in frames. 11/24/2003

REF. NO.	PART NO.	DESCRIPTION	REF. NO.	PART NO.	DESCRIPTION	REF. NO.	PART NO.	DESCRIPTION
1	695771	Cylinder Assembly			————— Note —————			Used on Type No(s). 0018.
2	399269	Kit—Bushing/Seal (Magneto Side)			695769 Flywheel	51	692555	Gasket—Intake (2 Required)
3	★299819	Seal—Oil (Magneto Side)			Used on Type No(s). 0100.			Housing—Rewind Starter
5	699486	Head—Cylinder	24	222698	Key—Flywheel	55	696710	(Used After Code Date 01062500).
7	★∅698210	Gasket—Cylinder Head	25	499627	Piston Assembly (Standard)			————— Note —————
11	695745	Tube—Breather			————— Note —————			695739 Housing—Rewind Starter
12	★692549	Gasket—Crankcase			692788 Piston Assembly (.010" O.S.)			(Used Before Code Date 01062600).
13	691137	Screw (Cylinder Head)			692789 Piston Assembly (.020" O.S.)	58	693389	Rope—Starter (Cut To Required Length)
15	691686	Plug—Oil Drain			692790 Piston Assembly (.030" O.S.)	60	699334	Grip—Starter Rope (Used After Code Date 03051100).
16	699445	Crankshaft (Used After Code Date 03061200).			————— Note —————			————— Note —————
		————— Note —————			692785 Ring Set (.010" O.S.)			695740 Grip—Starter Rope
		693887 Crankshaft (Used Before Code Date 03061300).	26	499631	692786 Ring Set (.020" O.S.)			(Used Before Code Date 03051200).
		699451 Crankshaft (Used on Type No(s). 0009, 0019.			692787 Ring Set (.030" O.S.)	65	697725	Screw (Rewind Starter)
18	699360	Cover—Crankcase (Used After Code Date 02041700).			691866 Lock—Piston Pin			(Used After Code Date 02050700).
		————— Note —————			499423 Pin—Piston			————— Note —————
		699596 Cover—Crankcase (Used Before Code Date 02041800).	27	691866	690124 Rod—Connecting			695453 Screw (Rewind Starter)
18A	790000	Cover—Crankcase (Used After Code Date 02041700). Used on Type No(s). 0018.	28	499423	692562 Dipper—Connecting Rod			(Used Before Code Date 02050800 and After Code Date 01061000).
		————— Note —————	29	690124	691664 Screw (Connecting Rod)			692608 Screw (Rewind Starter)
		694833 Cover—Crankcase (Used Before Code Date 02041800). Used on Type No(s). 0018.	30	692562	695759 Screw (Connecting Rod)			(Used Before Code Date 01061100).
20	★692550	Seal—Oil (PTO Side)	32	691664	499642 Valve—Exhaust	78	695724	Screw (Flywheel Guard)
20A	★691952	Seal—Oil (PTO Side) (Used on Type No(s). 0018.	32A	695759	499641 Valve—Intake	95	691636	Screw (Throttle Valve)
		————— Note —————	33	499642	691304 Spring—Valve (Intake)	97	690024	Shaft—Throttle
21	281658	Cap—Oil Fill	34	499641	691304 Spring—Valve (Exhaust)	98	398185	Kit—Idle Speed
22	692551	Screw (Crankcase Cover/Sump)	35	691304	699661 Guard—Flywheel (Used After Code Date 01061000).	104	◆691242	Pin—Float Hinge
23	695741	Flywheel	36	691304	————— Note —————	108	695807	Valve—Choke
			37	699661	695725 Guard—Flywheel (Used Before Code Date 01061100).	109	695729	Shaft—Choke
			40	692194	692194 Retainer—Valve	117	690048	Jet—Main (Standard)
			45	690977	690977 Tappet—Valve	118	498977	Jet—Main (High Altitude)
			46	693404	693404 Camshaft			
			46A	694831	694831 Camshaft			

★ Included in Engine Gasket Set—Ref. No. 358.

△ Included in Carburetor Overhaul Kit—Ref. No. 121.

■ Included in Carburetor Gasket Set—Ref. No. 977.

◆ Included in Valve Gasket Set—Ref. No. 1095.

Illustrations cover a range of engines. Parts shown without corresponding text may not be used on your specific engine.

12D400

REF. NO.	PART NO.	DESCRIPTION	REF. NO.	PART NO.	DESCRIPTION	REF. NO.	PART NO.	DESCRIPTION
121	695157	Kit-Carburetor Overhaul	271	691028	Control Lever			Used on Type No(s). 0110.
122	●693749	Spacer-Carburetor	271A	698038	Lever-Control (Used After Code Date 02041400).	356	695731	Wire-Stop
125	695727	Carburetor				358	698216	Gasket Set-Engine
127	●694468	Plug-Welch			————— Note —————	363	19069	Puller-Flywheel
130	691181	Valve-Throttle			695743 Lever-Control (Used Before Code Date 02041500).	365	692568	Screw (Carburetor)
133	398187	Float-Carburetor				383	19374	Wrench-Spark Plug
134	●398188	Kit-Needle/Seat	276	●◆271716	Washer-Sealing	427	694255	Nut (Control Bracket)
137	◆◆693981	Gasket-Float Bowl	281	697550	Panel-Control (Used After Code Date 01061000).	441	694262	Bracket-Oil Fill
146	690979	Key-Timing			————— Note —————	449	691693	Screw (Oil Fill Bracket)
155	698214	Plate-Cylinder Head			695732 Panel-Control (Used Before Code Date 01061100).	455	692591	Cup-Flywheel
186	692317	Connector-Hose	300	698002	Muffler	456	692299	Plate-Pawl Friction
187	691050	Line-Fuel (Cut to Required Length)	304	696653	Housing-Blower	459	281505	Pawl-Ratchet
187A	692601	Line-Fuel (Molded)	305	691108	Screw (Blower Housing)	472	695752	Knob-Choke Shaft
188	690877	Screw (Control Bracket)	306	695710	Shield-Cylinder	485	695755	Knob-Control
190	692127	Screw (Fuel Tank)	307	690345	Screw (Cylinder Shield)	493	695744	Bracket-Mounting
192	694543	Adjuster-Rocker Arm	307A	691003	Screw	504	694254	Washer Set-Friction
209	692571	Spring-Governor	309	696818	Motor-Starter (Used After Code Date 01061000).	505	691251	Nut (Governor Control Lever)
209A	691278	Spring-Governor			————— Note —————	523	693618	Dipstick
219	693578	Gear-Governor			695660 Motor-Starter (Used Before Code Date 01061100).	524	281370	Seal-Dipstick Tube
220	691724	Washer (Governor Gear)	318	690370	Screw (Mounting Bracket)	528	695746	Hose-Primer
222	698326	Bracket-Control (Used After Code Date 03051500).	326	695453	Screw (Rewind Guard)	552	692346	Bushing-Governor Crank
		————— Note —————	332	699359	Nut (Flywheel) (Used After Code Date 03060800).	562	691119	Bolt (Governor Control Lever)
		698033 Bracket-Control (Used Before Code Date 03051600 and After Code Date 02041400).			————— Note —————	564	696685	Screw (Control Cover)
		695742 Bracket-Control (Used Before Code Date 02041500).	333	695711	Armature-Magneto	597	691696	Screw (Pawl Friction Plate)
227	692573	Lever-Governor Control	334	691061	Screw (Magneto Armature)	598	220624	Shim-End Play
238	691300	Cap-Valve	337	491055	Plug-Spark	601	95162	Clamp-Hose
268	691072	Control Wire Casing (Cut to Length)			————— Note —————	604	695749	Cover-Control
269	691589	Control Wire (Cut to Length)			691043 Plug-Spark	608	699335	Starter-Rewind (Used After Code Date 03051100).
270	691027	Nut (Control Wire Casing)						————— Note —————
								696711 Starter-Rewind (Used Before Code Date 03051200 and After Code Date 0106250000).
								695738 Starter-Rewind (Used Before Code Date 01062600).

★ Included in Engine Gasket Set-Ref. No. 358.

△ Included in Carburetor Overhaul Kit-Ref. No. 121.

■ Included in Carburetor Gasket Set-Ref. No. 977.

◆ Included in Valve Gasket Set-Ref. No. 1095.

Illustrations cover a range of engines. Parts shown without corresponding text may not be used on your specific engine.

REF. NO.	PART NO.	DESCRIPTION	REF. NO.	PART NO.	DESCRIPTION	REF. NO.	PART NO.	DESCRIPTION	
613	697812	Screw (Muffler) (Used After Code Date 03030200). Note —	773	694258	Retainer	977	695156	Gasket Set—Carburetor	
			819	691685	Screw (Muffler Bracket)	990	695756	Key Set	
			823	691665	Screw (Muffler Adapter)	993	★∅694088	Gasket—Cylinder Head Plate	
			824	696017	Gasket—Heat Shield	1005	692592	Fan—Flywheel	
			830	694544	Stud (Rocker Arm)	1019	695751	Kit—Label	
613A	691108	Screw (Muffler)	842	691031	Seal— O Ring (Dipstick/Tube)	1022	★∅691890	Gasket—Rocker Cover	
615	692576	Retainer—Governor Shaft	847	693617	Dipstick/Tube Assembly	1023	499924	Cover—Rocker Arm	
616	692547	Crank—Governor	851	493880	Terminal—Spark Plug	1026	693517	Rod—Push	
619	691108	Screw (Cylinder Head Plate)	863	697280	Bracket—Muffler (Used After Code Date 01061000). Note —	1029	691230	Arm—Rocker	
621	692310	Switch—Stop				1034	691343	Guide—Push Rod	
632	692653	Spring/Link—Mechanical Governor				1036	697004	Label—Emission (Used After Code Date 01100700). Note —	
633	◆693867	Seal—Choke/Throttle Shaft (Choke)						696766	Label—Emission (Used Before Code Date 01100800 and After Code Date 01072900). 695041
633A	◆691321	Seal—Choke/Throttle Shaft (Throttle)	864	697814	Adapter—Muffler (Used After Code Date 03030200). Note —				Label—Emission (Used Before Code Date 01073000).
635	692927	Boot—Spark Plug				1054	280275	Tie—Cable	
663	696685	Screw (Control Panel) (Used After Code Date 01061000). Note —				1058	275697	Owner's Manual	
						1070	692590	Screw (Flywheel Fan)	
			868	★∅692044	Seal—Valve	1095	698215	Gasket Set—Valve	
			883	★691893	Gasket—Exhaust	1196	696692	Screw (Snow Hood) (Used After Code Date 01060900). Note —	
			883A	★692237	Gasket—Exhaust				695733
			892	695747	Switch—Key				Screw (Snow Hood) (Used Before Code Date 01061000).
			914	697551	Screw (Rocker Cover) (Used After Code Date 02031900). Note —				692198
668	694257	Spacer				1210	498144	Pulley/Spring Assembly (Pulley)	
689	691855	Spring—Friction				1211	498144	Pulley/Spring Assembly	
692	690572	Spring—Detent (Choke)	914A	692557	Screw (Rocker Cover)	1224	696824	Nut (Carburetor Primer)	
718	690959	Pin—Locating	930	696709	Guard—Rewind	1230	695709	Stud (Control Bracket)	
731	696690	Hood—Snow (Used After Code Date 01060700). Note —	957	695737	Cap—Fuel Tank	1251	696699	Shield—Snow	
			958	692586	Valve—Fuel Shut Off	1330	272147	Repair Manual	
			972	695728	Tank—Fuel				
741	695087	Gear—Timing	975	493640	Bowl—Float				
742	692564	Retainer—E Ring	976	695750	Primer—Carburetor				
746	692566	Gear—Idler							

★ Included in Engine Gasket Set—Ref. No. 358.

△ Included in Carburetor Overhaul Kit—Ref. No. 121.

■ Included in Carburetor Gasket Set—Ref. No. 977.

◆ Included in Valve Gasket Set—Ref. No. 1095.

Illustrations cover a range of engines. Parts shown without corresponding text may not be used on your specific engine.