

12E300

Illustrated Parts List

Model Series

12E300

TYPE NUMBERS
0018 through 0275.

TABLE OF CONTENTS

Blower Housing/Shrouds	6
Camshaft	2
Carburetor	4
Controls	5
Crankcase Cover	2
Crankshaft	2
Cylinder	2
Cylinder Head	3
Electric Starter	5
Exhaust System	6
Flywheel	6
Fuel Supply	4
Governor Spring	5
Ignition	5
Kits/Gaskets – Carburetor	4
Kits/Gaskets – Engine	2
Kits/Gaskets – Valves	3
Lubrication	2
Piston Group	2
Rewind Starter	5

PRINTED IN U.S.A.



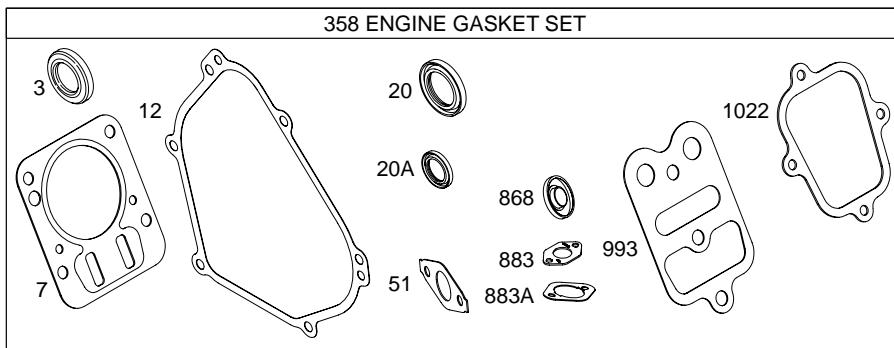
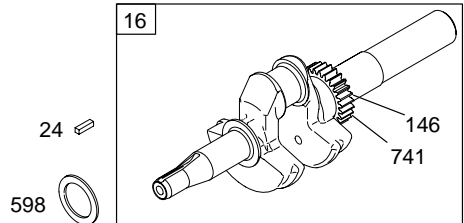
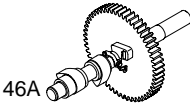
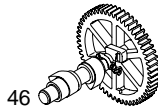
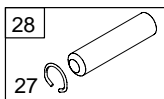
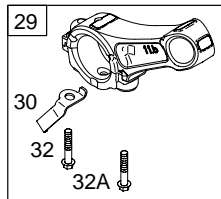
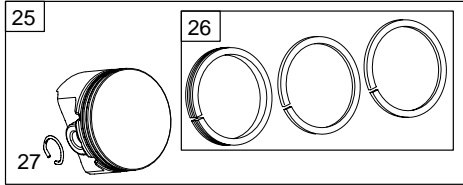
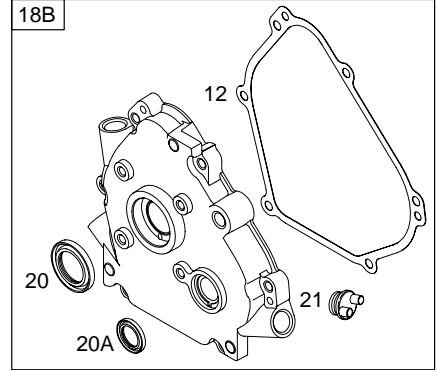
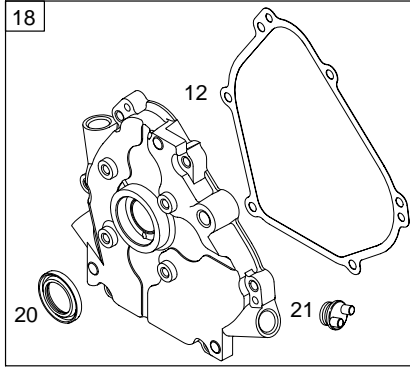
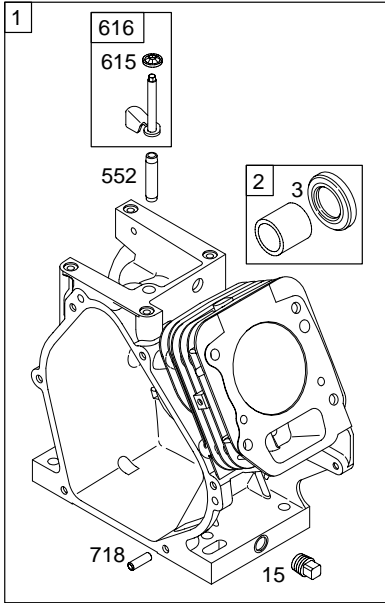
COPYRIGHT by BRIGGS & STRATTON CORPORATION
All rights reserved. No part of this material may be reproduced or transmitted,
in any form or by any means, electronic or mechanical, including photocopying,
recording or by any information storage and retrieval system, without permission
in writing from Briggs & Stratton Corporation.

12E300

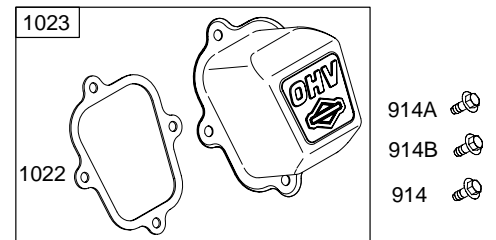
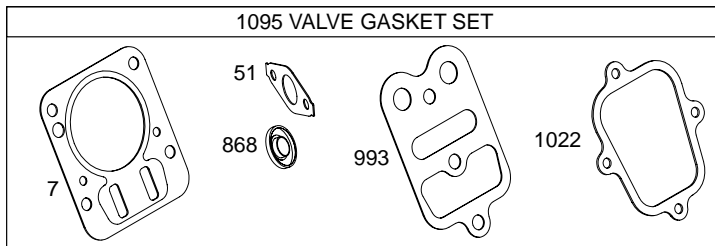
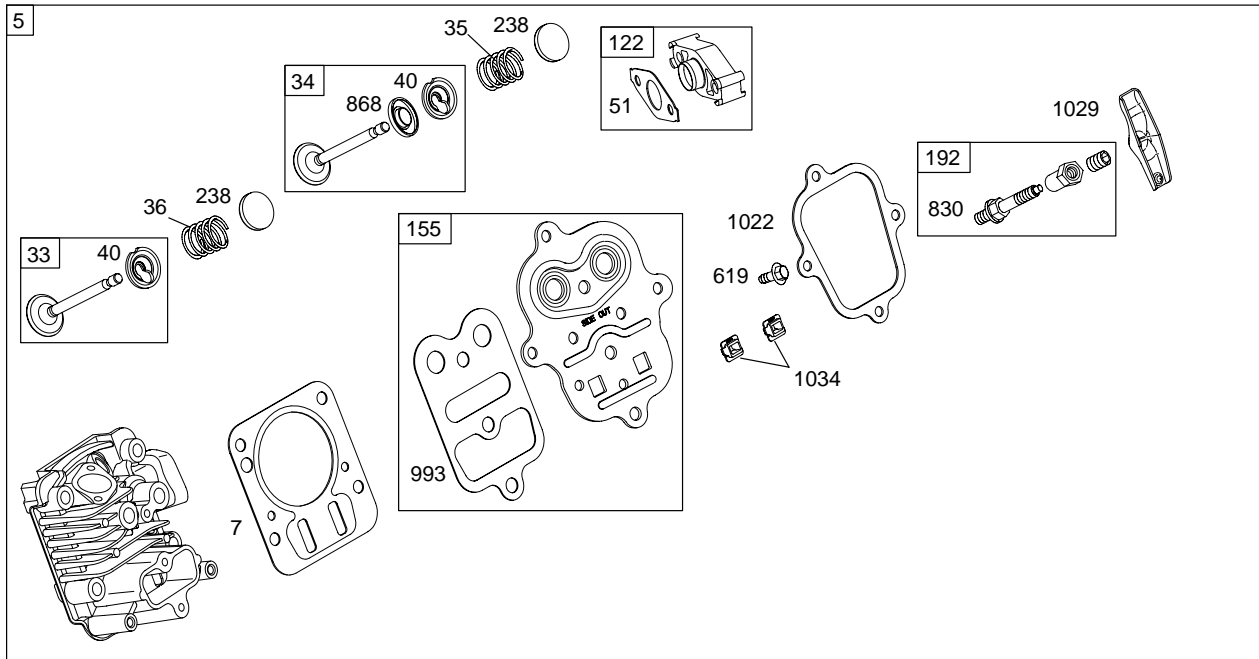
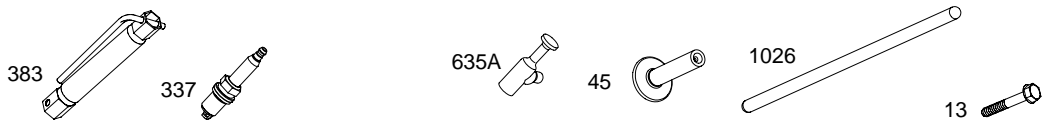
1019 LABEL KIT

1058 OWNER'S MANUAL

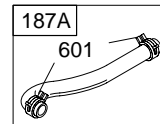
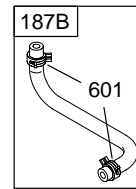
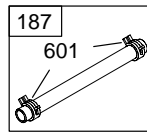
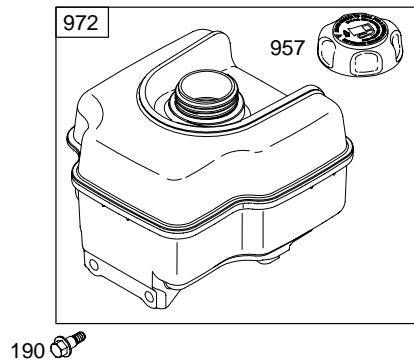
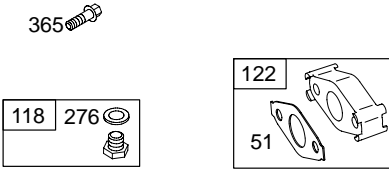
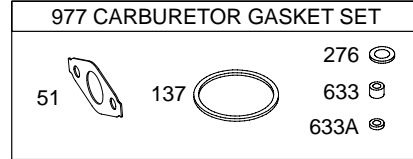
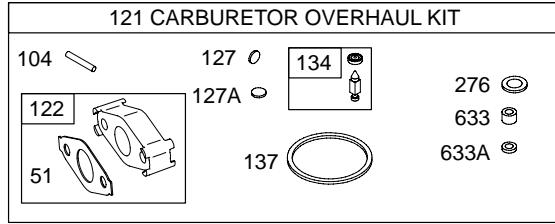
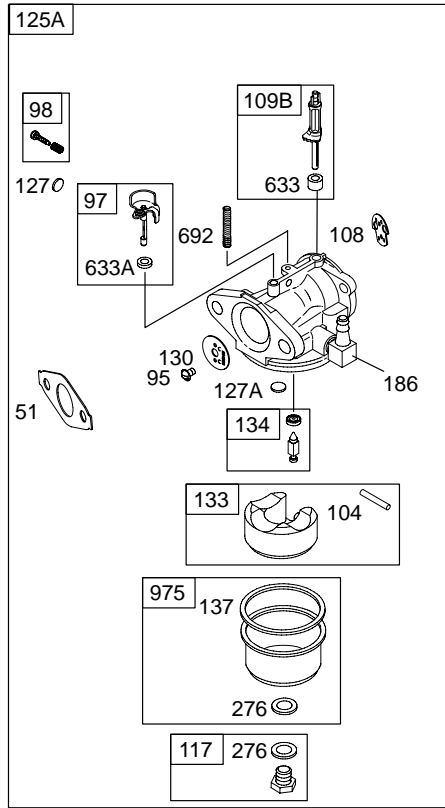
1330 REPAIR MANUAL

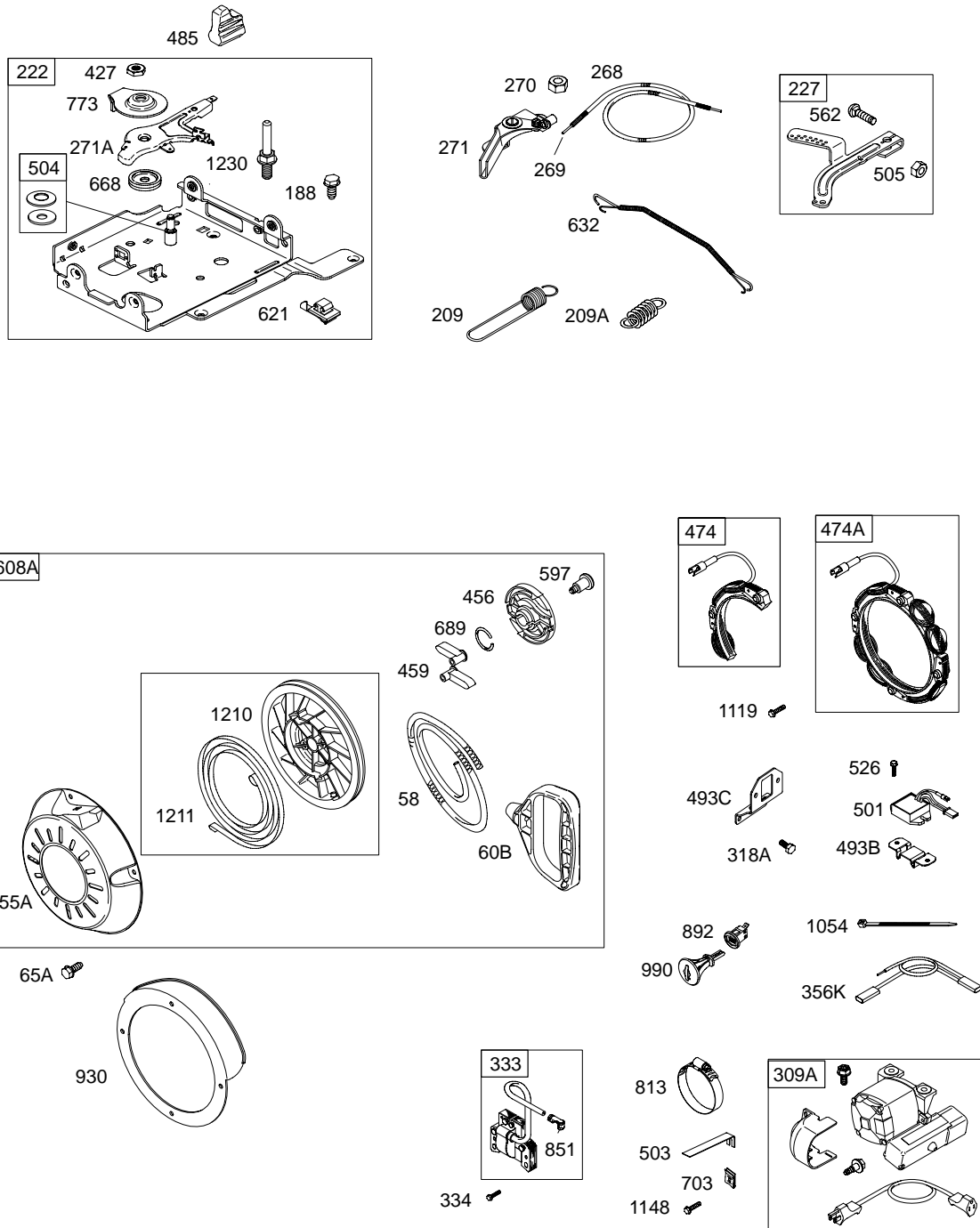


Illustrations cover a range of engines. Parts shown without corresponding text may not be used on your specific engine.
 5750-2 Assemblies include all parts shown in frames. 10/20/2004



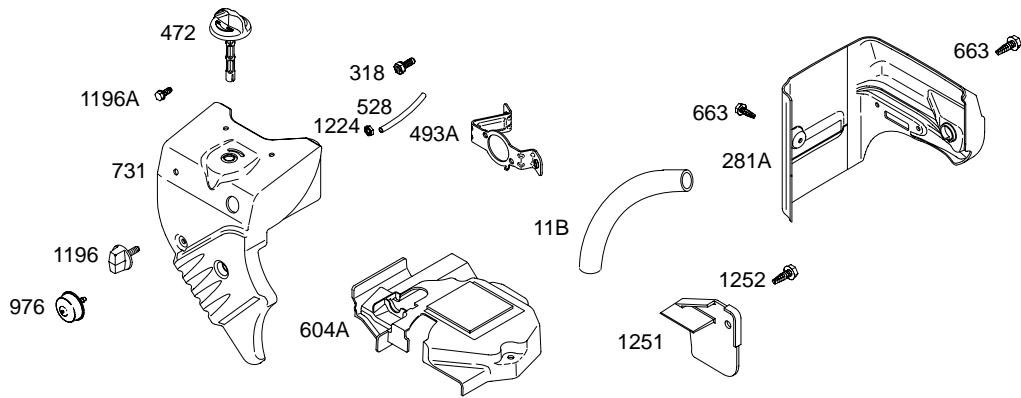
Illustrations cover a range of engines. Parts shown without corresponding text may not be used on your specific engine.
 5750-3 Assemblies include all parts shown in frames. 10/20/2004



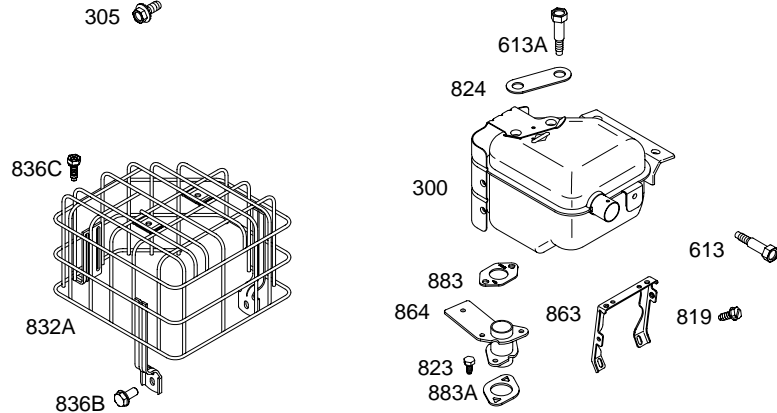
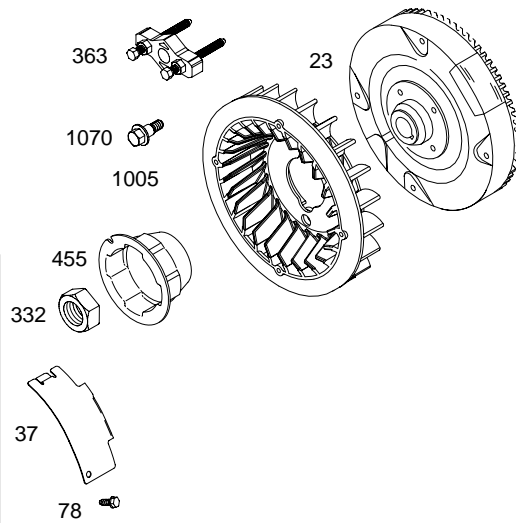
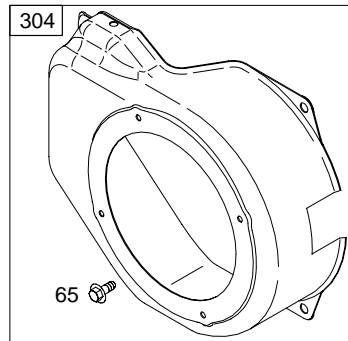


Illustrations cover a range of engines. Parts shown without corresponding text may not be used on your specific engine.
 5750-5 Assemblies include all parts shown in frames. 10/20/2004

12E300



1036 EMISSION LABEL



Illustrations cover a range of engines. Parts shown without corresponding text may not be used on your specific engine.
 5750-6 Assemblies include all parts shown in frames. 10/20/2004

REF. NO.	PART NO.	DESCRIPTION	REF. NO.	PART NO.	DESCRIPTION	REF. NO.	PART NO.	DESCRIPTION
1	699510	Cylinder Assembly	29	690124	Rod-Connecting	122	●693749	Spacer-Carburetor
2	399269	Kit-Bushing/Seal (Magneto Side)	30	692562	Dipper-Connecting Rod	125A	695727	Carburetor
3	★299819	Seal-Oil (Magneto Side)	32	691664	Screw (Connecting Rod)			Note ——— 790558 Carburetor Used on Type No(s). 0275.
5	699486	Head-Cylinder	32A	695759	Screw (Connecting Rod)	127	●694468	Plug-Welch
7	★∅698210	Gasket-Cylinder Head	33	499642	Valve-Exhaust	127A	●691739	Plug-Welch
11B	695745	Tube-Breather	34	499641	Valve-Intake	130	691181	Valve-Throttle
12	★699485	Gasket-Crankcase	35	691304	Spring-Valve (Intake)	133	398187	Float-Carburetor
13	699482	Screw (Cylinder Head)	36	691304	Spring-Valve (Exhaust)	134	●398188	Kit-Needle/Seat
15	691686	Plug-Oil Drain	37	699661	Guard-Flywheel	137	●693981	Gasket-Float Bowl
15B	695757	Plug-Oil Drain	40	692194	Retainer-Valve	146	690979	Key-Timing
16	699445	Crankshaft	45	690977	Tappet-Valve	155	698214	Plate-Cylinder Head
		Note ——— 699454 Crankshaft Used on Type No(s). 0275.	46	696813	Camshaft	186	692317	Connector-Hose
18	699804	Cover-Crankcase	46A	695285	Camshaft	187	691050	Line-Fuel (Cut To Required Length)
18B	699677	Cover-Crankcase	51	★●∅692555	Gasket-Intake	187A	692601	Line-Fuel (Molded)
20	★692550	Seal-Oil (PTO Side)	55A	696710	Housing-Rewind Starter	187B	693401	Line-Fuel (Molded)
20A	★691952	Seal-Oil (PTO Side) (Auxiliary Drive)	58	693389	Rope-Starter (Cut To Required Length)	188	699479	Screw (Control Bracket)
21	281658	Cap-Oil Fill	60B	699334	Grip-Starter Rope	190	699220	Screw (Fuel Tank)
22	699478	Screw (Crankcase Cover/ Sump)	65	699228	Screw (Rewind Starter)	192	694543	Ball-Rocker Arm
23	699516	Flywheel	65A	699851	Screw (Rewind Starter)	209	692571	Spring-Governor
24	222698	Key-Flywheel	78	699205	Screw (Flywheel Guard)	209A	691278	Spring-Governor
25	690021	Piston Assembly (Standard)	95	691636	Screw (Throttle Valve)	219	693578	Gear-Governor
		Note ——— 694168 Piston Assembly (.020" Oversize)	97	690024	Shaft-Throttle	220	691724	Washer (Governor Gear)
26	499631	Ring Set (Standard)	98	398185	Kit-Idle Speed	222	699592	Bracket-Control
		Note ——— 692786 Ring Set (.020" Oversize)	104	●691242	Pin-Float Hinge	227	692573	Lever-Governor Control
27	691866	Lock-Piston Pin	108	695807	Valve-Choke	238	691300	Cap-Valve
28	499423	Pin-Piston	109B	695729	Shaft-Choke	268	691072	Control Wire Casing (Cut to Required Length)
			117	690048	Jet-Main (Standard)	269	691589	Control Wire (Cut to Required Length)
			118	498977	Jet-Main (High Altitude)	270	691027	Nut (Control Wire Casing)
			121	696998	Kit-Carburetor Overhaul			

★ Included in Engine Gasket Set-Ref. No.358.

● Included in Carburetor Overhaul Kit-Ref. No. 121.

◆ Included in Carburetor Gasket Set-Ref. No. 977.

∅ Included in Valve Gasket Set-Ref. No 1095.

Illustrations cover a range of engines. Parts shown without corresponding text may not be used on your specific engine.

12E300

REF. NO.	PART NO.	DESCRIPTION	REF. NO.	PART NO.	DESCRIPTION	REF. NO.	PART NO.	DESCRIPTION
271	691028	Lever—Control	441	694262	Bracket—Oil Fill	615	692576	Retainer—Governor Shaft
271A	698038	Lever—Control	449	699629	Screw (Oil Fill Bracket)	616	692547	Crank—Governor
276	♦271716	Washer—Sealing	455	692591	Cup—Flywheel	619	699230	Screw (Cylinder Head Plate)
281A	697550	Panel—Control	456	692299	Plate—Pawl Friction	621	692310	Switch—Stop
		Note	459	281505	Pawl—Ratchet	632	692653	Spring/Link— Mechanical Governor
		696684 Panel—Control Used on Type No(s). 0275.	472	696691	Knob—Choke Shaft	633	♦693867	Seal—Choke/Throttle Shaft (Choke)
300	699512	Muffler	474	694457	Alternator	633A	♦691321	Seal—Choke/Throttle Shaft (Throttle)
		Note	474A	698314	Alternator	635A	692927	Boot—Sparkplug
		699511 Muffler Used on Type No(s). 0018, 0100, 0111, 0275.	485	695755	Knob—Control	663	699854	Screw (Control Panel)
304	699598	Housing—Blower	493A	695744	Bracket—Mounting	668	694257	Spacer
305	699480	Screw (Blower Housing)	493B	691177	Bracket—Mounting	689	691855	Spring—Friction
306A	695710	Shield—Cylinder	493C	699048	Bracket—Mounting	692	690572	Spring—Detent (Choke)
307	699483	Screw (Cylinder Shield)	501	698315	Regulator	703	698320	Clip
307A	699234	Screw (Cylinder Shield)	503	699889	Strap—Starter	718	690959	Pin—Locating
309A	696818	Motor—Starter	504	694254	Washer Set—Friction	731	696690	Hood—Snow
		Note	505	691251	Nut (Governor Control Lever)	741	695087	Gear—Timing
		699786 Motor—Starter Used on Type No(s). 0275.	523	693618	Dipstick	742	692564	Retainer—E Ring
					Note	746	692566	Gear—Idler
					790546 Dipstick Used on Type No(s). 0275.	773	694258	Retainer
318	690370	Screw (Mounting Bracket)	524	281370	Seal—Dipstick Tube	813	690635	Clamp
318A	699773	Screw (Mounting Bracket)	526	690297	Screw (Regulator)	819	699233	Screw (Muffler Bracket)
332	699359	Nut (Flywheel)	528	695746	Hose—Primer	823	699209	Screw (Muffler Adapter)
333	695711	Armature—Magneto	552	692346	Bushing—Governor Crank	824	696017	Gasket—Heat Shield
334	699477	Screw (Magneto Armature)	562	691119	Bolt (Governor Control Lever)	830	694544	Stud (Rocker Arm)
337	491055	Spark—Plug	597	691696	Screw (Pawl Friction Plate)	832A	699892	Guard—Muffler
356K	695731	Wire—Stop	598	220624	Shim—End Play			Note
358	699638	Set—Engine Gasket	601	95162	Clamp—Hose			699313 Guard—Muffler Used on Type No(s). 0275.
363	19069	Puller—Flywheel	604A	695749	Cover—Control	836B	699209	Screw (Muffler Guard)
365	699484	Screw (Carburetor)	608A	699335	Starter—Rewind	836C	699234	Screw (Muffler Guard)
383	19374	Wrench—Spark Plug	613	697812	Screw (Muffler)			
427	694255	Nut (Control Bracket)	613A	699230	Screw (Muffler)			

★ Included in Engine Gasket Set—Ref. No.358.

● Included in Carburetor Overhaul Kit—Ref. No. 121.

◆ Included in Carburetor Gasket Set—Ref. No. 977.

∅ Included in Valve Gasket Set—Ref. No. 1095.

Illustrations cover a range of engines. Parts shown without corresponding text may not be used on your specific engine.

5750-8

Assemblies include all parts shown in frames.

10/20/2004

REF. NO.	PART NO.	DESCRIPTION	REF. NO.	PART NO.	DESCRIPTION	REF. NO.	PART NO.	DESCRIPTION
842	691031	Seal-O Ring (Dipstick Tube)	976	790221	Primer-Carburetor (Snap Fit)	1054	280275	Tie-Cable
847	693617	Dipstick/Tube Assembly Note _____ 790545 Dipstick/Tube Assembly Used on Type No(s). 0275.	977	697001	Gasket Set-Carburetor	1058	275697	Owner's Manual
851	493880	Terminal-Spark Plug	990	695756	Key-Set	1070	699201	Screw (Flywheel Fan)
863	699849	Bracket-Muffler	993	694088	Gasket-Cylinder Head Plate	1095	698215	Gasket Set-Valve
864	699232	Adapter-Muffler	998	696683	Pipe-Oil	1119	699772	Screw (Alternator)
868	692044	Seal-Valve	1005	692592	Fan-Flywheel	1148	698418	Screw (Clip)
883	692237	Gasket-Exhaust	1019	695751	Kit-Label	1196	696692	Screw (Snow Hood) (Carburetor)
883A	691893	Gasket-Exhaust	1022	691890	Gasket-Rocker Cover	1196A	696685	Screw (Snow Hood) (Muffler)
892	695747	Switch-Key	1023	499924	Cover-Rocker Arm	1210	498144	Pulley/Spring Assembly (Pulley)
914	699481	Screw (Rocker Cover) (Bottom)	1026	790287	Rod-Push	1211	498144	Pulley/Spring Assembly (Spring)
914A	692557	Screw (Rocker Cover) (Top)	1029	691230	Arm-Rocker	1224	696824	Nut (Carburetor Primer)
914B	697551	Screw (Rocker Cover) (Center)	1034	691343	Guide-Push Rod	1230	699847	Screw (Control Bracket)
930	696709	Guard-Rewind	1036	790634	Label-Emission (Used After Code Date 04063000). Note _____ 699946 Label- Emission (Used Before Code Date 04070100 and After Code Date 03093000). 697004 Label- Emission (Used Before Code Date 03100100).	1251	696699	Shield-Snow
957	695737	Cap-Fuel Tank				1252	699234	Screw (Snow Shield)
958	698180	Valve-Fuel Shut Off				1330	272147	Repair Manual
972	695728	Tank-Fuel						
975	493640	Bowl-Float						

★ Included in Engine Gasket Set-Ref. No.358.

● Included in Carburetor Overhaul Kit-Ref. No. 121.

◆ Included in Carburetor Gasket Set-Ref. No. 977.

∅ Included in Valve Gasket Set-Ref. No 1095.

Illustrations cover a range of engines. Parts shown without corresponding text may not be used on your specific engine.

5750-9

Assemblies include all parts shown in frames.

10/20/2004