

# 12E400

## Illustrated Parts List Model Series 12E400

TYPE NUMBERS  
0110.

### TABLE OF CONTENTS

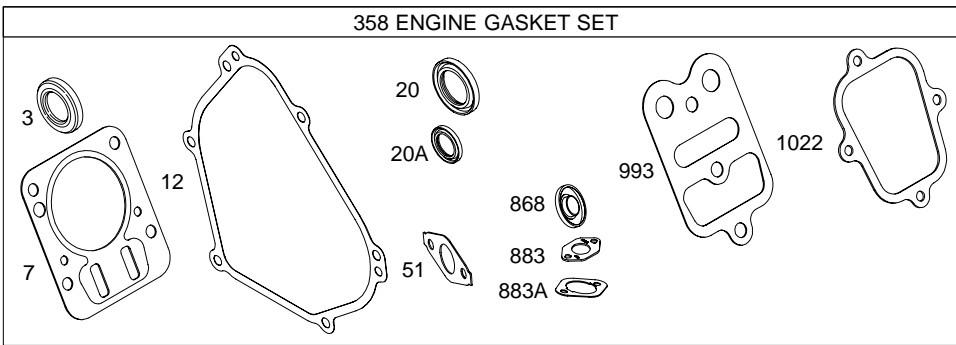
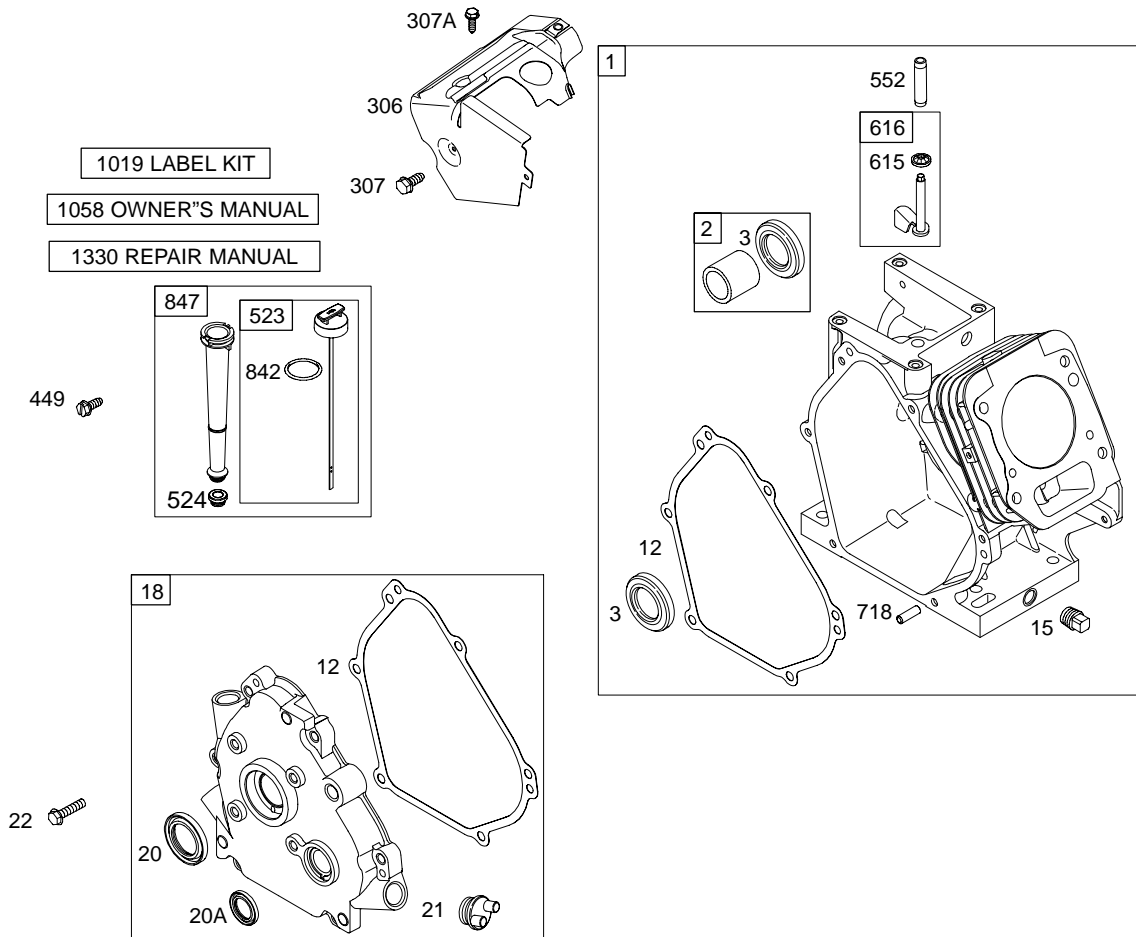
Blower Housing/Shrouds .....	7
Cams .....	4
Carburetor .....	5
Controls .....	6
Crankcase Cover/Sump .....	2
Crankshaft .....	4
Cylinder .....	2
Electric Starter .....	8
Flywheel .....	7
Fuel Tank .....	5
Governor Spring .....	6
Head .....	3
Ignition .....	6
Kits/Gaskets – Carburetor .....	5
Kits/Gaskets – Engine .....	2
Muffler .....	8
Oil Group .....	2
Piston Group .....	4
Rewind Starter .....	8
Valves .....	3



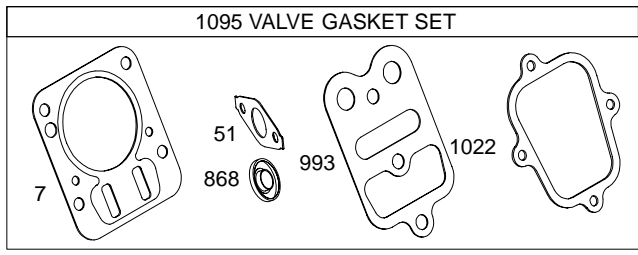
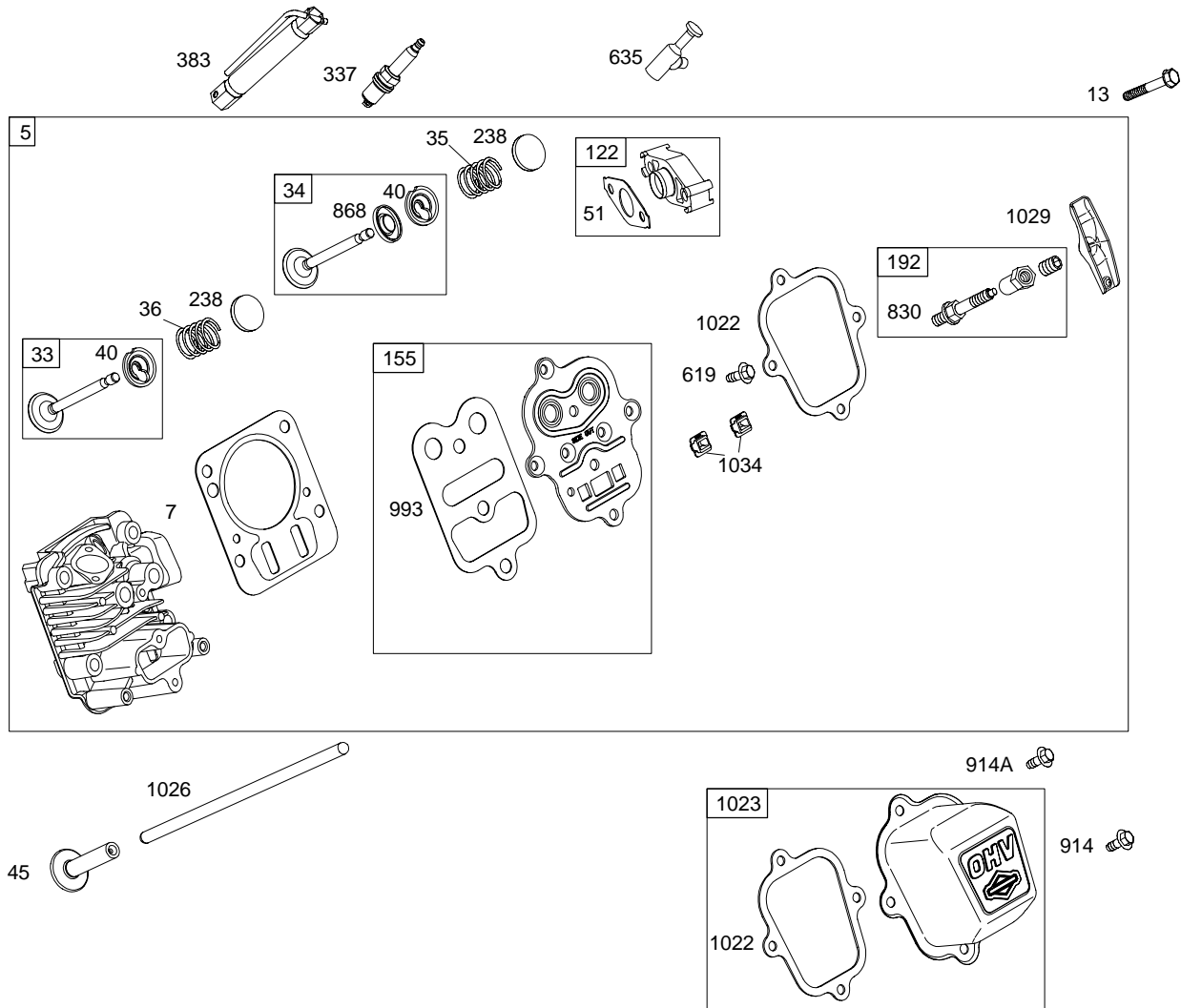
PRINTED IN U.S.A.

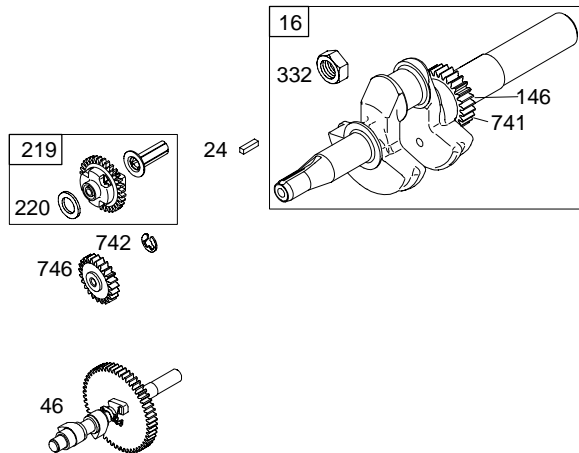
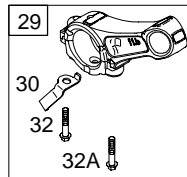
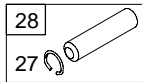
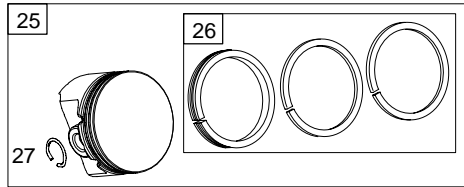
COPYRIGHT by BRIGGS & STRATTON CORPORATION  
All rights reserved. No part of this material may be reproduced or transmitted,  
in any form or by any means, electronic or mechanical, including photocopying,  
recording or by any information storage and retrieval system, without permission  
in writing from Briggs & Stratton Corporation.

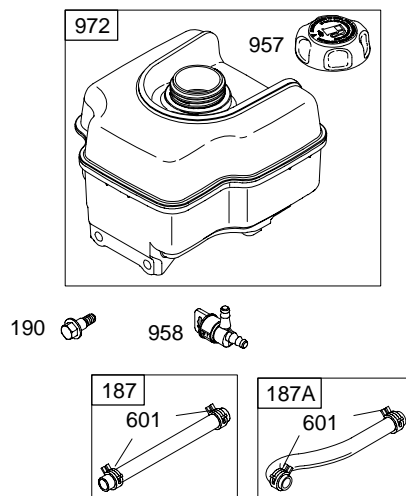
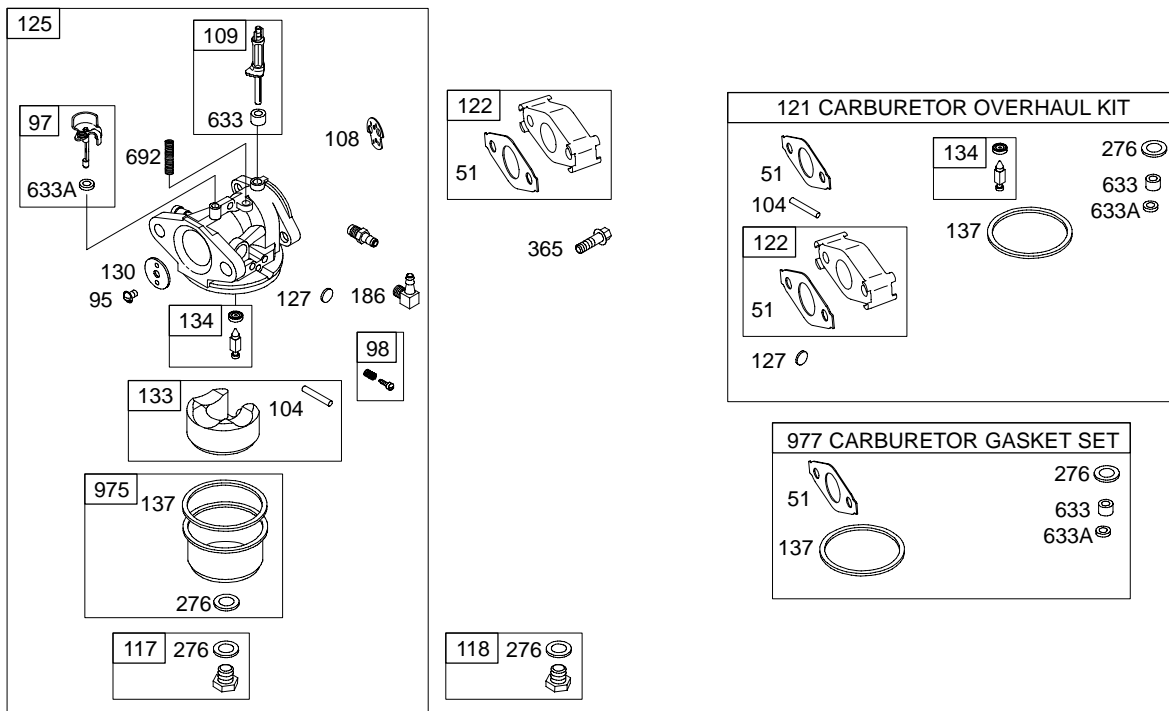
# 12E400



Illustrations cover a range of engines. Parts shown without corresponding text may not be used on your specific engine.  
5858-2 Assemblies include all parts shown in frames. 03/01/2004

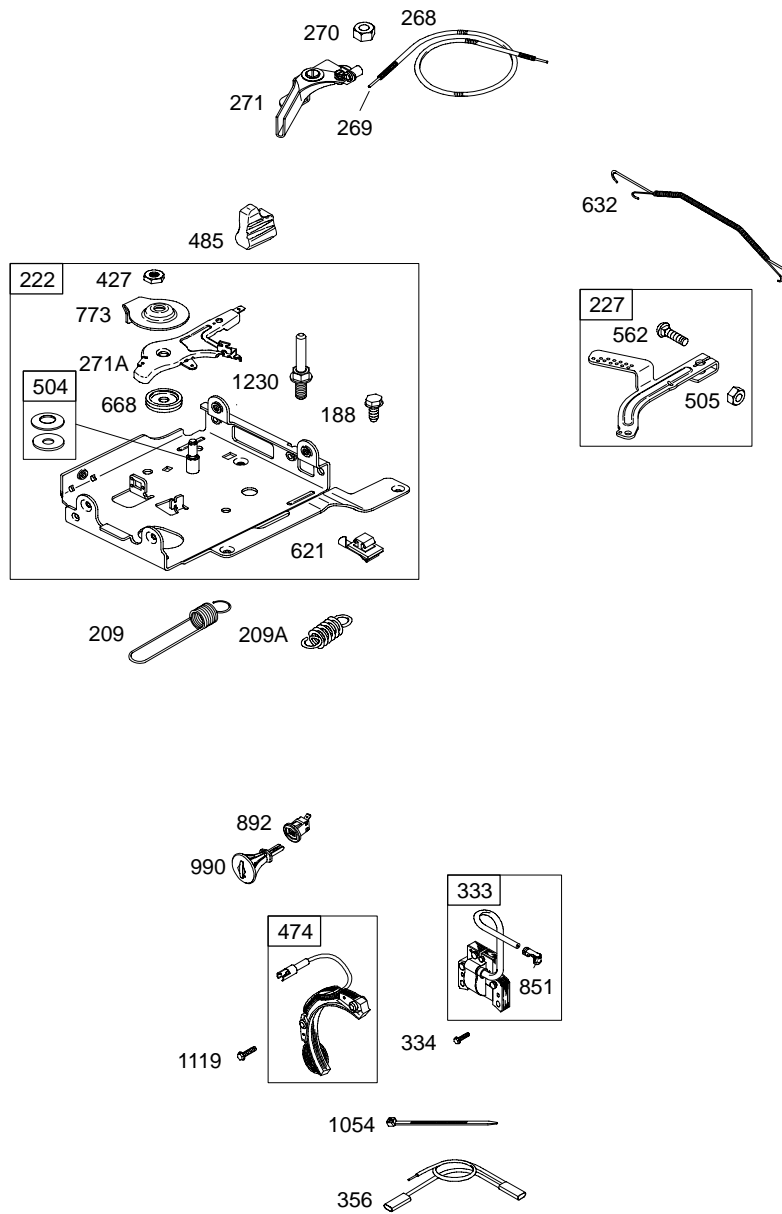




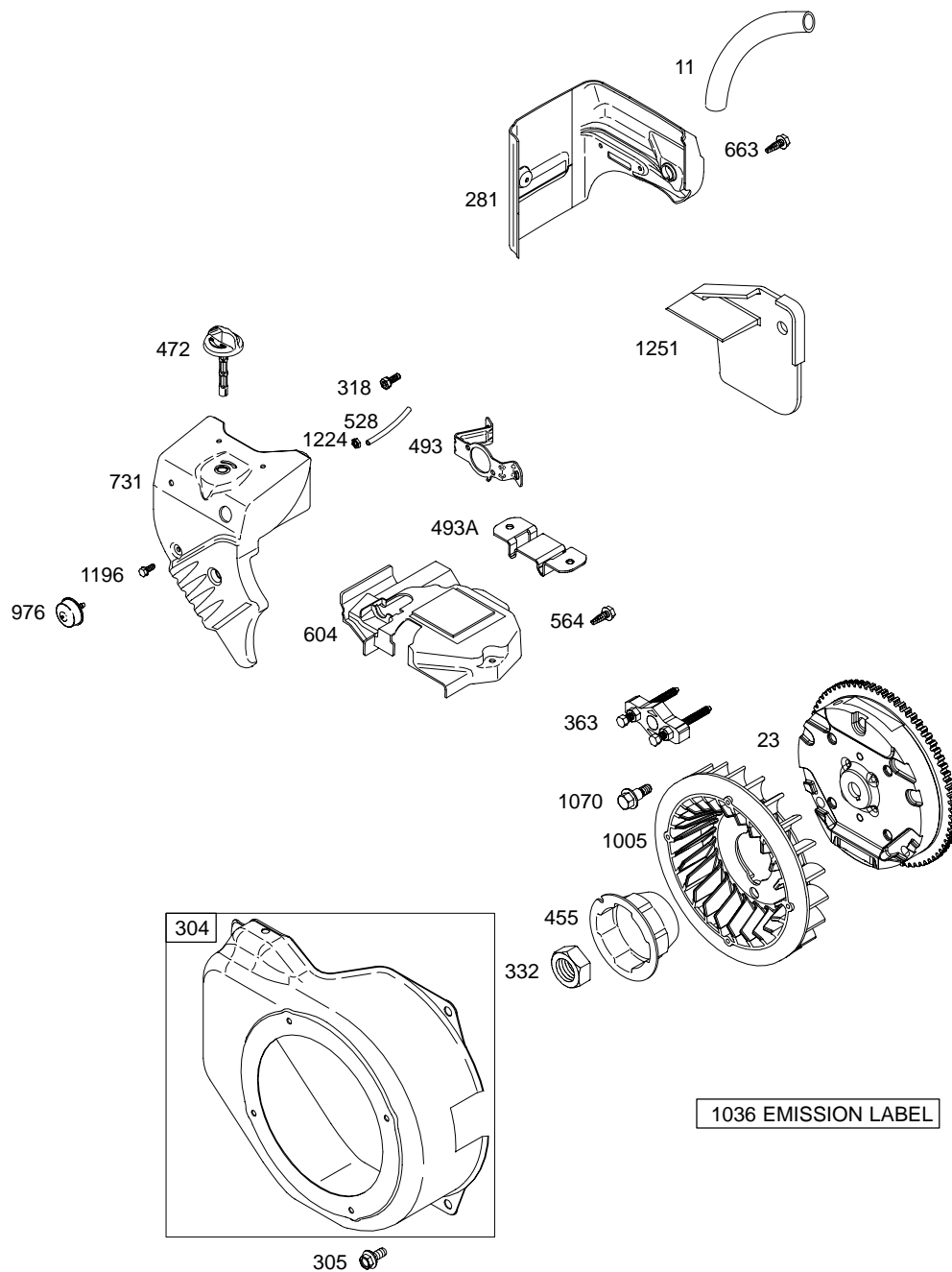


Illustrations cover a range of engines. Parts shown without corresponding text may not be used on your specific engine.  
 5858-5 Assemblies include all parts shown in frames.

03/01/2004

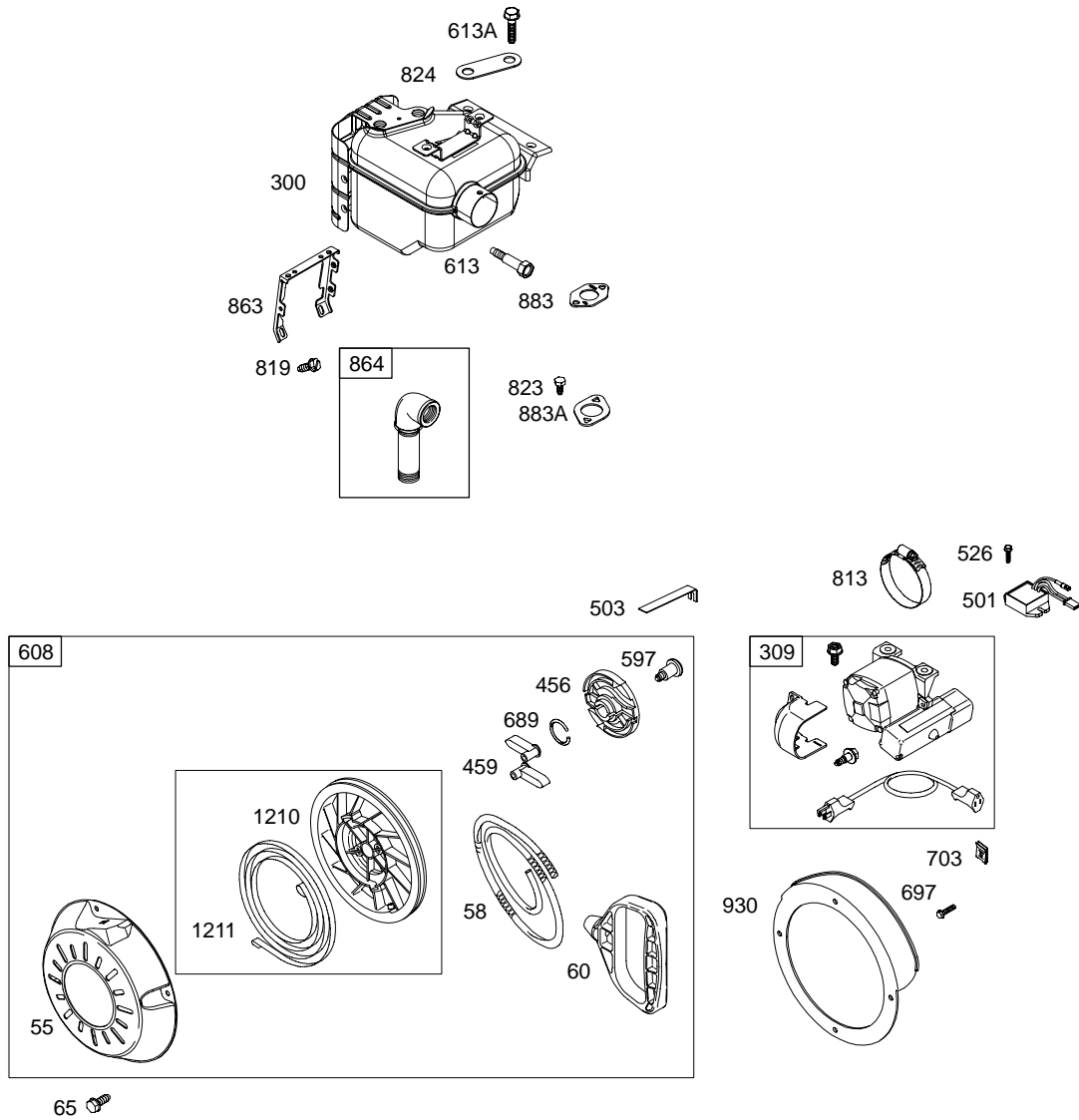


Illustrations cover a range of engines. Parts shown without corresponding text may not be used on your specific engine.  
5858-6 Assemblies include all parts shown in frames. 03/01/2004



Illustrations cover a range of engines. Parts shown without corresponding text may not be used on your specific engine.  
5858-7 Assemblies include all parts shown in frames.

03/01/2004



**Illustrations cover a range of engines. Parts shown without corresponding text may not be used on your specific engine.**  
5858-8 Assemblies include all parts shown in frames. 03/01/2004



REF. NO.	PART NO.	DESCRIPTION	REF. NO.	PART NO.	DESCRIPTION	REF. NO.	PART NO.	DESCRIPTION
1	695713	Cylinder Assembly	25	690021	Piston Assembly (Standard)	35	691304	Spring-Valve (Intake)
2	399269	Kit-Bushing/Seal (Magneto Side)			———— <b>Note</b> ————	36	691304	Spring-Valve (Exhaust)
3	★299819	Seal-Oil (Magneto Side)			694167 Piston Assembly (.010" Oversize)	40	692194	Retainer-Valve
5	699486	Head-Cylinder			694168 Piston Assembly (.020" Oversize)	45	690977	Tappet-Valve
7	★∅698210	Gasket-Cylinder Head			694169 Piston Assembly (.030" Oversize)	46	695285	Camshaft
11	695745	Tube-Breather			———— <b>Note</b> ————	51	◆∅692555	Gasket-Intake (2 Required)
12	★692549	Gasket-Crankcase	26	499631	Ring Set (Standard)	55	696710	Housing-Rewind Starter
13	691137	Screw (Cylinder Head)			692785 Ring Set (.010" Oversize)	58	693389	Rope-Starter (Cut To Required Length)
15	691686	Plug-Oil Drain			692786 Ring Set (.020" Oversize)	60	699334	Grip-Starter Rope (Used After Code Date 03051100).
16	699445	Crankshaft (Used After Code Date 03061200).			692787 Ring Set (.030" Oversize)			———— <b>Note</b> ————
		———— <b>Note</b> ————						695740 Grip-Starter Rope (Used Before Code Date 03051200).
18	790000	Cover-Crankcase	27	691866	Lock-Piston Pin	65	697725	Screw (Rewind Starter)
20	★692550	Seal-Oil (PTO Side)	28	499423	Pin-Piston	95	691636	Screw (Throttle Valve)
20A	★691952	Seal-Oil (PTO Side) (Auxiliary Drive)	29	690124	Rod-Connecting	97	690024	Shaft-Throttle
21	281658	Cap-Oil Fill	30	692562	Dipper-Connecting Rod	98	398185	Kit-Idle Speed
22	692551	Screw (Crankcase Cover/Sump)	32	691664	Screw (Connecting Rod)	104	●691242	Pin-Float Hinge
23	695769	Flywheel	32A	695759	Screw (Connecting Rod)	108	695807	Valve-Choke
24	222698	Key-Flywheel	33	499642	Valve-Exhaust	109	695729	Shaft-Choke
			34	499641	Valve-Intake			

★ Included in Engine Gasket Set-Ref. No. 358.

△ Included in Carburetor Overhaul Kit-Ref. No. 121.

■ Included in Carburetor Gasket Set-Ref. No. 977.

◆ Included in Valve Gasket Set-Ref. No. 1095.

**Illustrations cover a range of engines. Parts shown without corresponding text may not be used on your specific engine.**

# 12E400

REF. NO.	PART NO.	DESCRIPTION	REF. NO.	PART NO.	DESCRIPTION	REF. NO.	PART NO.	DESCRIPTION
117	690048	Jet—Main (Standard)	268	691072	Control Wire Casing (Cut to Length)	363	19069	Puller—Flywheel
118	498977	Jet—Main (High Altitude)	269	691589	Control Wire (Cut to Length)	365	692568	Screw (Carburetor)
121	695157	Kit—Carburetor Overhaul	270	691027	Nut (Control Wire Casing)	383	19374	Wrench—Spark Plug
122	●693749	Spacer—Carburetor	271	691028	Control Lever	427	694255	Nut (Control Bracket)
125	695727	Carburetor	271A	698038	Lever—Control	449	691693	Screw (Oil Fill Bracket)
127	●694468	Plug—Welch	276	◆271716	Washer—Sealing	455	692591	Cup—Flywheel
130	691181	Valve—Throttle	281	697550	Panel—Control	456	692299	Plate—Pawl Friction
133	398187	Float—Carburetor	300	699787	Muffler	459	281505	Pawl—Ratchet
134	●398188	Kit—Needle/Seat	304	696653	Housing—Blower	472	696691	Knob—Choke Shaft
137	◆693981	Gasket—Float Bowl	305	691108	Screw (Blower Housing)	474	698314	Alternator
146	690979	Key—Timing	306	695710	Shield—Cylinder	485	695755	Knob—Control
155	698214	Plate—Cylinder Head	307	690345	Screw (Cylinder Shield)	493	695744	Bracket—Mounting
186	692317	Connector—Hose	307A	691003	Screw (Cylinder Shield)	493A	691177	Bracket—Mounting
187	691050	Line—Fuel (Cut to Required Length)	309	696818	Motor—Starter	501	698315	Regulator
187A	692601	Line—Fuel (Molded)	318	690370	Screw (Mounting Bracket)	503	699889	Strap—Starter
188	690877	Screw (Control Bracket)	332	699359	Nut (Flywheel) (Used After Code Date 03060800).	504	694254	Washer Set—Friction
190	692127	Screw (Fuel Tank)				505	691251	Nut (Governor Control Lever)
192	694543	Adjuster—Rocker Arm				523	693618	Dipstick
209	692571	Spring—Governor				524	281370	Seal—Dipstick Tube
209A	691278	Spring—Governor				526	690297	Screw (Regulator)
219	693578	Gear—Governor				528	695746	Hose—Primer
220	691724	Washer (Governor Gear)				552	692346	Bushing—Governor Crank
222	698326	Bracket—Control				562	691119	Bolt (Governor Control Lever)
227	692573	Lever—Governor Control	333	695711	Armature—Magneto	564	696685	Screw (Control Cover)
238	691300	Cap—Valve	334	691061	Screw (Magneto Armature)	597	691696	Screw (Pawl Friction Plate)
			337	491055	Plug—Spark	601	95162	Clamp—Hose
			356	695731	Wire—Stop	604	695749	Cover—Control
			358	698216	Gasket Set—Engine			

★ Included in Engine Gasket Set—Ref. No. 358.

△ Included in Carburetor Overhaul Kit—Ref. No. 121.

■ Included in Carburetor Gasket Set—Ref. No. 977.

◆ Included in Valve Gasket Set—Ref. No. 1095.

*Illustrations cover a range of engines. Parts shown without corresponding text may not be used on your specific engine.*

REF. NO.	PART NO.	DESCRIPTION	REF. NO.	PART NO.	DESCRIPTION	REF. NO.	PART NO.	DESCRIPTION
608	699335	Starter—Rewind (Used After Code Date 03051100).	703	698320	Mounting Bracket)	975	493640	Bowl—Float
		<b>Note</b> ———	718	690959	Clip	976	695750	Primer—Carburetor
	696711	Starter—Re-wind (Used Before Code Date 03051200).	731	696690	Pin—Locating	977	695156	Gasket Set—Carburetor
613	697812	Screw (Muffler)	741	695087	Hood—Snow	990	695756	Key Set
613A	691108	Screw (Muffler)	742	692564	Gear—Timing	993	★∅694088	Gasket—Cylinder Head Plate
615	692576	Retainer—Governor Shaft	746	692566	Retainer—E Ring	1005	692592	Fan—Flywheel
616	692547	Crank—Governor	773	694258	Gear—Idler	1019	695751	Kit—Label
619	691108	Screw (Cylinder Head Plate)	813	690635	Retainer	1022	★∅691890	Gasket—Rocker Cover
621	692310	Switch—Stop	819	691685	Clamp	1023	499924	Cover—Rocker Arm
632	692653	Spring/Link—Mechanical Governor			(Muffler Bracket)	1026	693517	Rod—Push
633	◆◆693867	Seal—Choke/Throttle Shaft (Choke)	823	691665	Screw (Muffler Adapter)	1029	691230	Arm—Rocker
633A	◆◆691321	Seal—Choke/Throttle Shaft (Throttle)	824	696017	Gasket—Heat Shield	1034	691343	Guide—Push Rod
635	692927	Boot—Spark Plug	830	694544	Stud (Rocker Arm)	1036	697004	Label—Emission
663	696685	Screw (Control Panel)	842	691031	Seal— O Ring (Dipstick/Tube)	1054	280275	Tie—Cable
668	694257	Spacer	847	693617	Dipstick/Tube Assembly	1058	275697	Owner's Manual
689	691855	Spring—Friction	851	493880	Terminal—Spark Plug	1070	699201	Screw (Flywheel Fan)
692	690572	Spring—Detent (Choke)	863	697280	Bracket—Muffler	1095	695289	Gasket Set—Valve
697	698418	Screw (Drive Cap) (Starter Motor to	864	697814	Adapter—Muffler	1119	691183	Screw (Alternator)
			868	★∅692044	Seal—Valve	1196	696692	Screw (Snow Hood)
			883	★691893	Gasket—Exhaust	1210	498144	Pulley/Spring Assembly (Pulley)
			883A	★692237	Gasket—Exhaust	1211	498144	Pulley/Spring Assembly (Spring)
			892	695747	Switch—Key	1224	696824	Nut (Carburetor Primer)
			914	697551	Screw (Rocker Cover)	1230	695709	Stud (Control Bracket)
			914A	692557	Screw (Rocker Cover)	1251	696699	Shield—Snow
			930	696709	Guard—Rewind	1330	272147	Repair Manual
			957	695737	Cap—Fuel Tank			
			958	692586	Valve—Fuel Shut Off			
			972	695728	Tank—Fuel			

★ Included in Engine Gasket Set—Ref. No. 358.

△ Included in Carburetor Overhaul Kit—Ref. No. 121.

■ Included in Carburetor Gasket Set—Ref. No. 977.

◆ Included in Valve Gasket Set—Ref. No. 1095.

**Illustrations cover a range of engines. Parts shown without corresponding text may not be used on your specific engine.**