

# 12E700 to 12E799

## Illustrated Parts List Model Series 12E700 to 12E799

### TYPE NUMBERS

0600, 0608, 0611,  
0624, 0625, 0626,  
0631, 0632, 0651,  
0664, 0665, 0667,  
0668, 0679, 0682,  
0683, 0688, 0690,  
0692, 0693, 0699,  
0700, 0705, 0707,  
0711, 0712, 0713,  
0722, 0723, 0729,  
2606, 2607, 2615,  
2616, 2618, 2625.

### TO FIND

### THE CORRECT NUMBER OF THE PART YOU NEED: FOLLOW THE INSTRUCTIONS BELOW

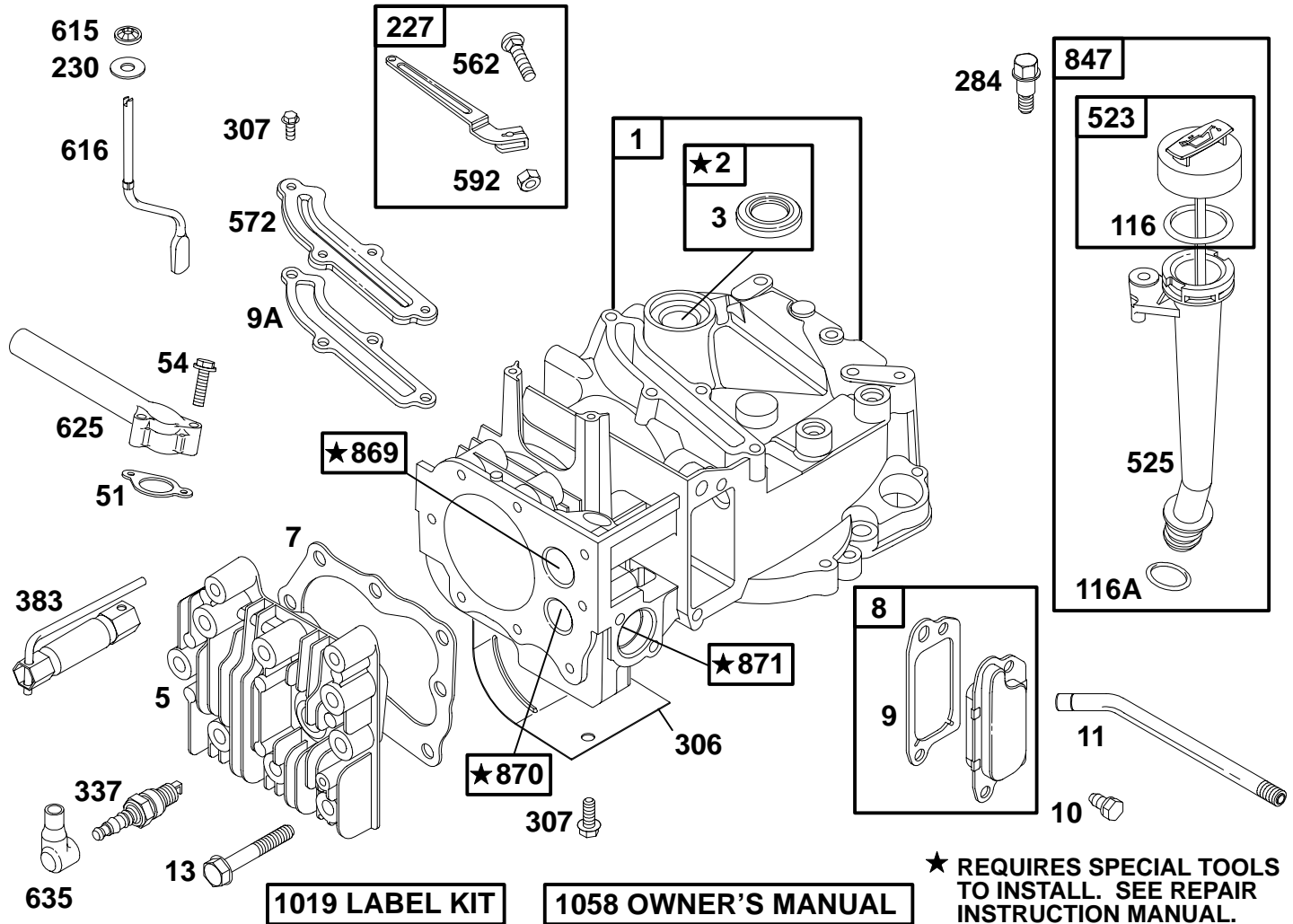
- A. Refer to Engine Model, Type and Code Number that is stamped on the blower housing of engine. Engine type numbers such as 0123 01 are listed only as 0123 in most instances. The two digits (01 or 02, etc.) to the right of the space may be required for more accurate parts identification in some instances. Select the Illustrated Parts List covering the correct Model Series and Type Number.
- B. Refer to the Illustrations and compare the original part with Illustration. The number next to the illustration is the Reference Number. Assemblies include all parts shown in frames. All parts shown in assembly frames having individual reference numbers can be purchased separately.
- C. After the Reference Number has been identified, refer to the Numerical text, where Reference and Primary Part Number are listed. **THE PRIMARY PART IS USED ON ALL TYPE NUMBERS EXCEPT THOSE TYPE NUMBERS UNDER "NOTE."**
- D. If a "Note" appears below the Primary Part Number, it means that this part differs from the Primary Part for certain types. If your Type number is listed under "Note," order the part referred to at the "Note."
- E. If your Engine Type Number does not appear after any part number listed under "Note," use the Primary Part Number.
- F. For Engine Type Numbers not covered by this book, check other Parts Lists having the same engine model or contact your source of supply.

PRINTED IN U.S.A.



COPYRIGHT by BRIGGS & STRATTON CORPORATION  
All rights reserved. No part of this material may be reproduced or transmitted, in any form or by any means, electronic or mechanical, including photocopying, recording or by any information storage and retrieval system, without permission in writing from Briggs & Stratton Corporation.

# 12E700 to 12E799

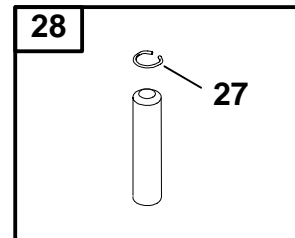
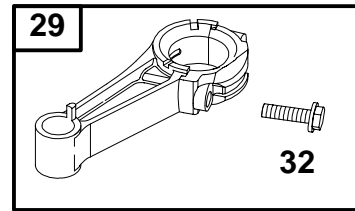
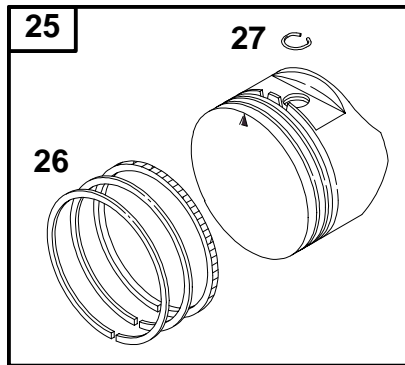


★ REQUIRES SPECIAL TOOLS TO INSTALL. SEE REPAIR INSTRUCTION MANUAL.

REF. NO.	PART NO.	DESCRIPTION	REF. NO.	PART NO.	DESCRIPTION	REF. NO.	PART NO.	DESCRIPTION
1	493260	Cylinder Assembly	227	492349	Lever-Governor	625	281085	Manifold-Intake
2	293708	Bushing	230	67072	Washer	635	66538	Boot-Spark Plug
3	★299819	Seal-Oil	284	94511	Screw-Shoulder	847	495263	Dipstick/Tube Assembly
5	214626	Head-Cylinder	306	224324	Shield-Cylinder	869	213512	Seat-Valve (Intake)
		<b>Note</b>	307	94515	Screw-Hex.	870	213513	Seat-Valve (Exhaust)
		214349 Head-Cylinder (Used Before Code Date 96060300).	337	802592	Plug-Spark	871	262001	Bushing-Guide (Exhaust Valve)
7	★272916	Gasket-Cylinder Head	383	89838	Wrench-Spark Plug			<b>Note</b>
8	495786	Breather Assembly	523	495264	Dipstick			63709 Bushing-Guide (Intake Valve)
9	★272481	Gasket-Breather	525	495265	Tube-Oil Fill	1019	494256	Label Kit
9A	★272238	Gasket-Breather	562	92613	Bolt-Governor Lever	1058	272262	Owner's Manual
10	94650	Screw-Hex.	572	224328	Baffle-Cylinder			
11	231933	Tube-Breather	592	231082	Nut-Hex.			
13	94547	Screw-Hex.	615	94474	Retainer			
51	★272199	Gasket-Intake	616	263175	Crank-Governor			
54	94526	Screw-Hex.			<b>Note</b>			
116	★280393	Seal-O-Ring			262578 Crank-Governor (Used Before Code Date 96090200).			
116A	★280966	Seal-O-Ring						

★ Included in Gasket Set-Part Number 497316.  
 ● Included in Carburetor Kit-See Ref. 121.

◆ Included in Carburetor Gasket Set-See Ref. 977.  
 ⊕ Included in Valve Overhaul Gasket Set-Part No. 498528.

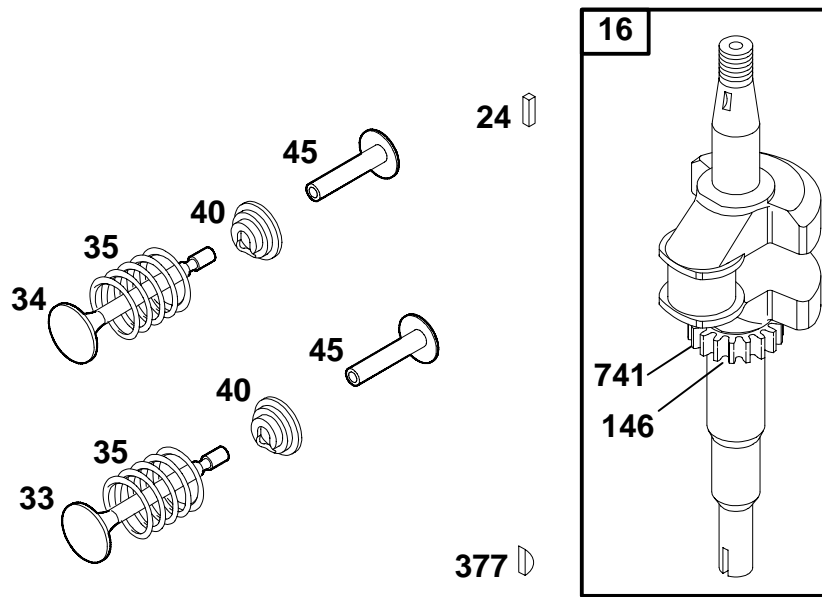


REF. NO.	PART NO.	DESCRIPTION	REF. NO.	PART NO.	DESCRIPTION
25	499429	Piston Assembly (Standard)	26	499425	Ring Set (Standard)
		<p style="text-align: center;">———— <b>Note</b> ————</p> <p><b>493262</b> Piston Assy. (Standard) (Used Before Code Date 97011300).</p> <p><b>493385</b> Piston Assy. (.010" O.S.) (Used Before Code Date 97011300).</p> <p><b>493386</b> Piston Assy. (.020" O.S.) (Used Before Code Date 97011300).</p> <p><b>493387</b> Piston Assy. (.030" O.S.) (Used Before Code Date 97011300).</p>			<p style="text-align: center;">———— <b>Note</b> ————</p> <p><b>493261</b> Ring Set (Standard) (Used Before Code Date 97011300).</p> <p><b>493388</b> Ring Set (.010" O.S.) (Used Before Code Date 97011300).</p> <p><b>493389</b> Ring Set (.020" O.S.) (Used Before Code Date 97011300).</p> <p><b>493390</b> Ring Set (.030" O.S.) (Used Before Code Date 97011300).</p>
			27	263190	Lock-Piston Pin
				26026	Lock-Piston Pin (Used Before Code Date 97011300).
			28	499423	Pin-Piston (Standard)
					<p style="text-align: center;">———— <b>Note</b> ————</p> <p><b>298909</b> Pin-Piston (Standard) (Used Before Code Date 97011300).</p> <p><b>298908</b> Pin-Piston (.005" O.S.) (Used Before Code Date 97011300).</p>
			29	499424	Rod-Connecting (Standard)
					<p style="text-align: center;">———— <b>Note</b> ————</p> <p><b>490566</b> Rod-Connecting (Standard) (Used Before Code Date 97011300).</p> <p><b>490743</b> Rod-Connecting (.020" Undersize) (Used Before Code Date 97011300).</p>
			32	94699	Screw-Connecting

★ Included in Gasket Set-Part Number 497316.  
 ● Included in Carburetor Kit-See Ref. 121.

◆ Included in Carburetor Gasket Set-See Ref. 977.  
 ◊ Included in Valve Overhaul Gasket Set-Part No. 498528.

# 12E700 to 12E799

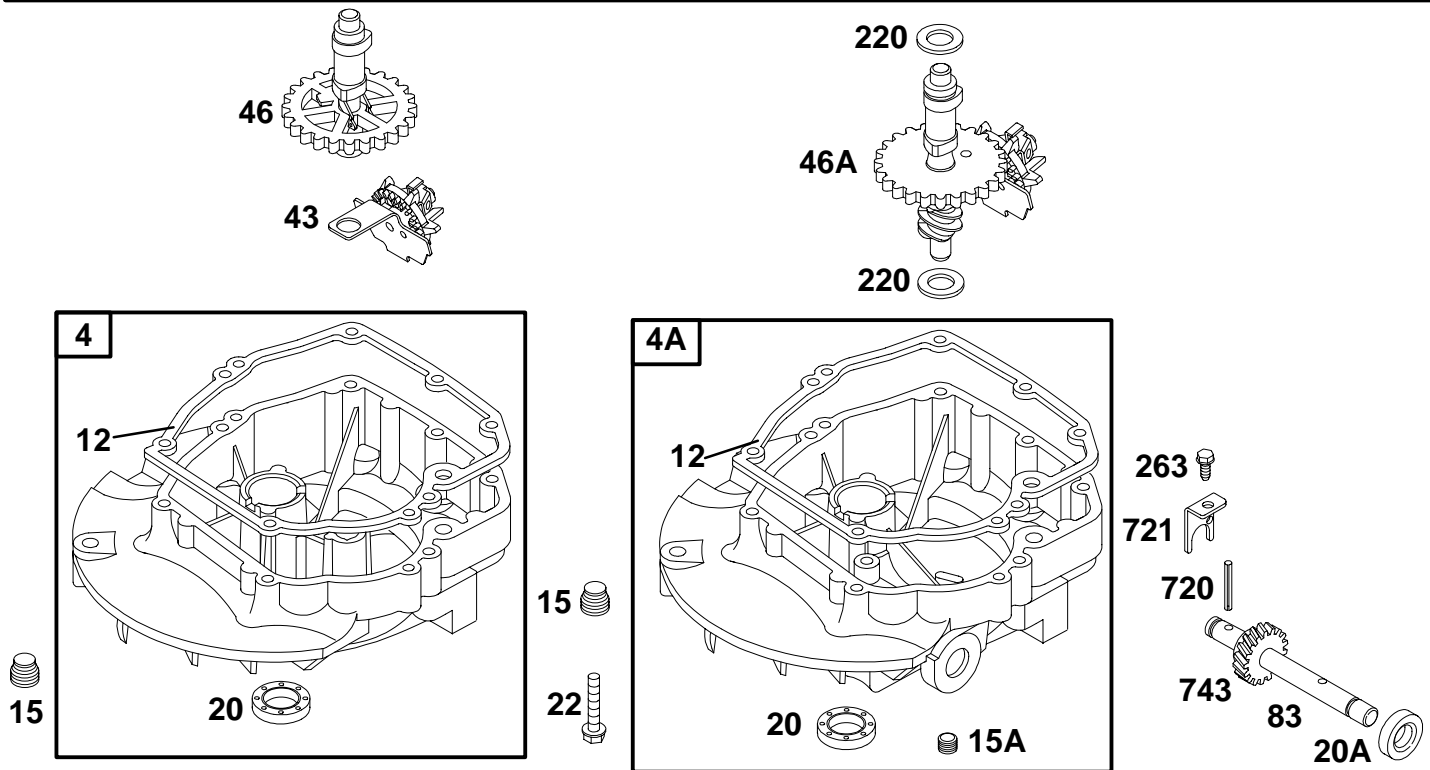


REF. NO.	PART NO.	DESCRIPTION	REF. NO.	PART NO.	DESCRIPTION	REF. NO.	PART NO.	DESCRIPTION
16	498565	Crankshaft (Used After Code Date 97011200). <b>493362</b> Crankshaft (Used Before Code Date 97011300). ———— <b>Note</b> ———— <b>498562</b> Crankshaft (Used After Code Date 97011200). Used on Type No(s). 0600, 0608, 0624, 0667, 0670, 0676, 0682, 0692, 0693, 0711, 0712, 0713, 2625. <b>493282</b> Crankshaft (Used Before Code Date 97011300). Used on Type No(s). 0600, 0608, 0624, 0667, 0670, 0676, 0682, 0692, 0693, 0711, 0712, 0713, 2625. <b>498566</b> Crankshaft (Used After Code Date 97011200). Used on Type No(s). 0683, 0723, 0729, 2616.			<b>493363</b> Crankshaft (Used Before Code Date 97011300). Used on Type No(s). 0683, 0723, 0729, 2616. <b>498569</b> Crankshaft (Used After Code Date 97011200). Used on Type No(s). 0664. <b>493946</b> Crankshaft (Used Before Code Date 97011300). Used on Type No(s). 0664. <b>498571</b> Crankshaft (Used After Code Date 97011200). Used on Type No(s). 2606, 2618. <b>493947</b> Crankshaft (Used Before Code Date 97011300). Used on Type No(s). 2606, 2618.			<b>24</b> <b>222698</b> Key-Flywheel <b>33</b> <b>262651</b> Valve-Exhaust <b>34</b> <b>262652</b> Valve-Intake <b>35</b> <b>262224</b> Spring-Valve <b>40</b> <b>93312</b> Retainer-Valve <b>45</b> <b>262204</b> Tappet-Valve <b>146</b> <b>94388</b> Key-Timing <b>377</b> <b>94329</b> Key-Drive Pulley ———— <b>Note</b> ———— <b>93065</b> Key-Woodruff Used on Type No(s). 0683. <b>741</b> <b>262598</b> Gear-Timing

★ Included in Gasket Set-Part Number 497316.  
● Included in Carburetor Kit-See Ref. 121.

◆ Included in Carburetor Gasket Set-See Ref. 977.  
◊ Included in Valve Overhaul Gasket Set-Part No. 498528.

# 12E700 to 12E799



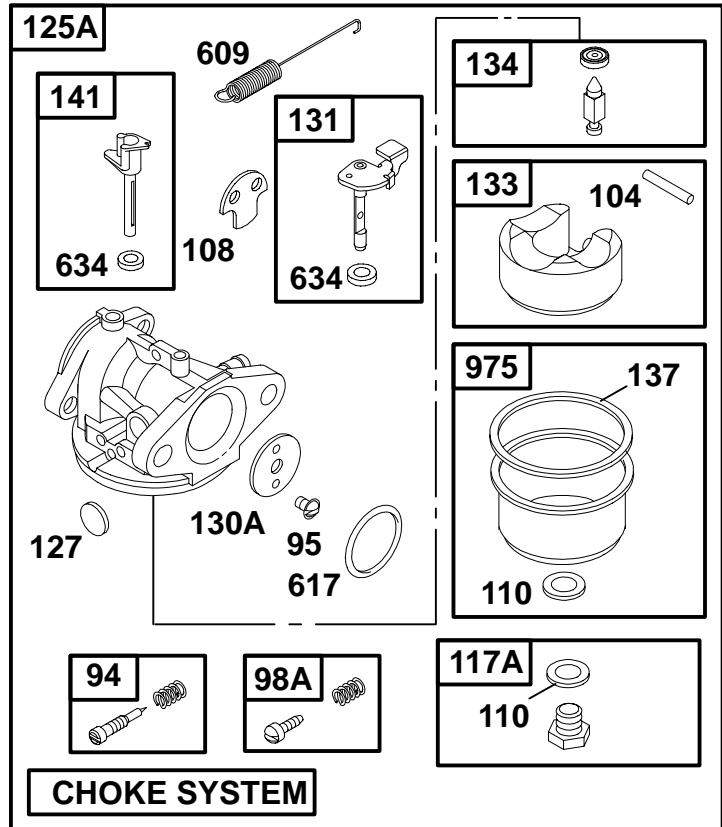
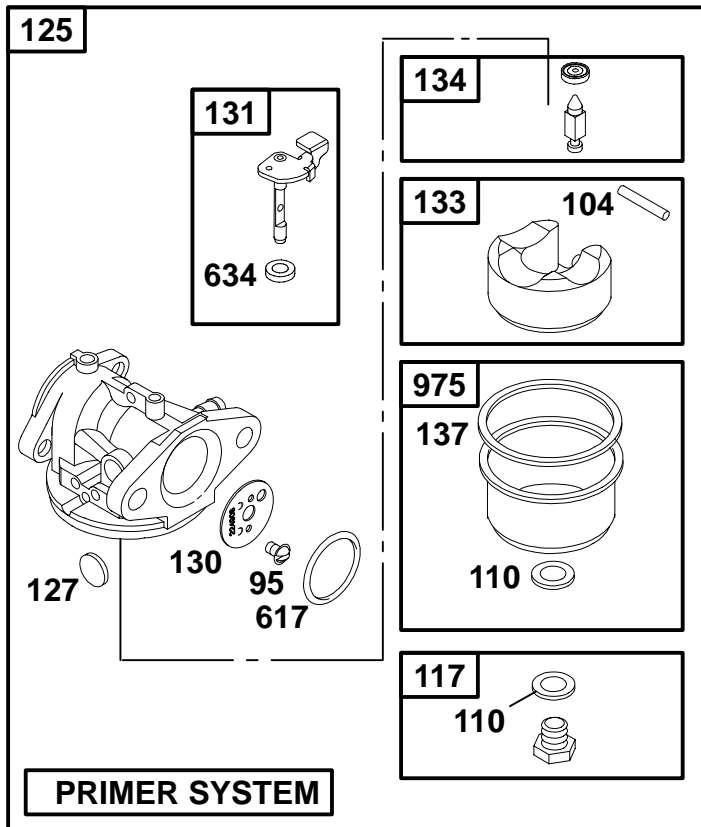
REF. NO.	PART NO.	DESCRIPTION	REF. NO.	PART NO.	DESCRIPTION	REF. NO.	PART NO.	DESCRIPTION
4	493279	Sump-Engine	46A	493741	Gear-Cam (Counterclockwise) Used on Type No(s). 0632, 0665, 0667, 0679, 0688, 0705.	220	68938	Washer-Thrust
4A	493365	Sump-Engine				263	94620	Screw-Hex.
		<b>Include(s):</b>				720	93474	Pin-Shaft
		391484 Seal-Oil				721	224249	Stop-Shaft
12	★272198	Gasket-Crankcase				743	231279	Gear-Drive (Counterclockwise) Used on Type No(s). 0632, 0665, 0667, 0679, 0688, 0705.
15	94720	Plug-Oil Drain						<b>Note</b>
15A	94470	Plug						231278 Gear-Drive (Clockwise) Used on Type No(s). 0711.
20	★399781	Seal-Oil						
20A	391484	Seal-Oil	83	231671	Shaft-Auxiliary Drive Used on Type No(s). 0667, 0711.			
22	94220	Screw-Hex.						<b>Note</b>
		<b>Note</b>						231711 Shaft-Auxiliary Drive Used on Type No(s). 0679.
		94612 Screw-Hex. Used in Hole Nearest Breather)						231748 Shaft-Auxillary Drive Used on Type No(s). 0688, 0705.
43	493737	Governor/Oil Slinger						231909 Shaft-Auxillary Drive Used on Type No(s). 0632, 0665.
46	492828	Gear-Cam						

★ Included in Gasket Set-Part Number 497316.  
● Included in Carburetor Kit-See Ref. 121.

◆ Included in Carburetor Gasket Set-See Ref. 977.  
◊ Included in Valve Overhaul Gasket Set-Part No. 498528.

# 12E700 to 12E799

124 

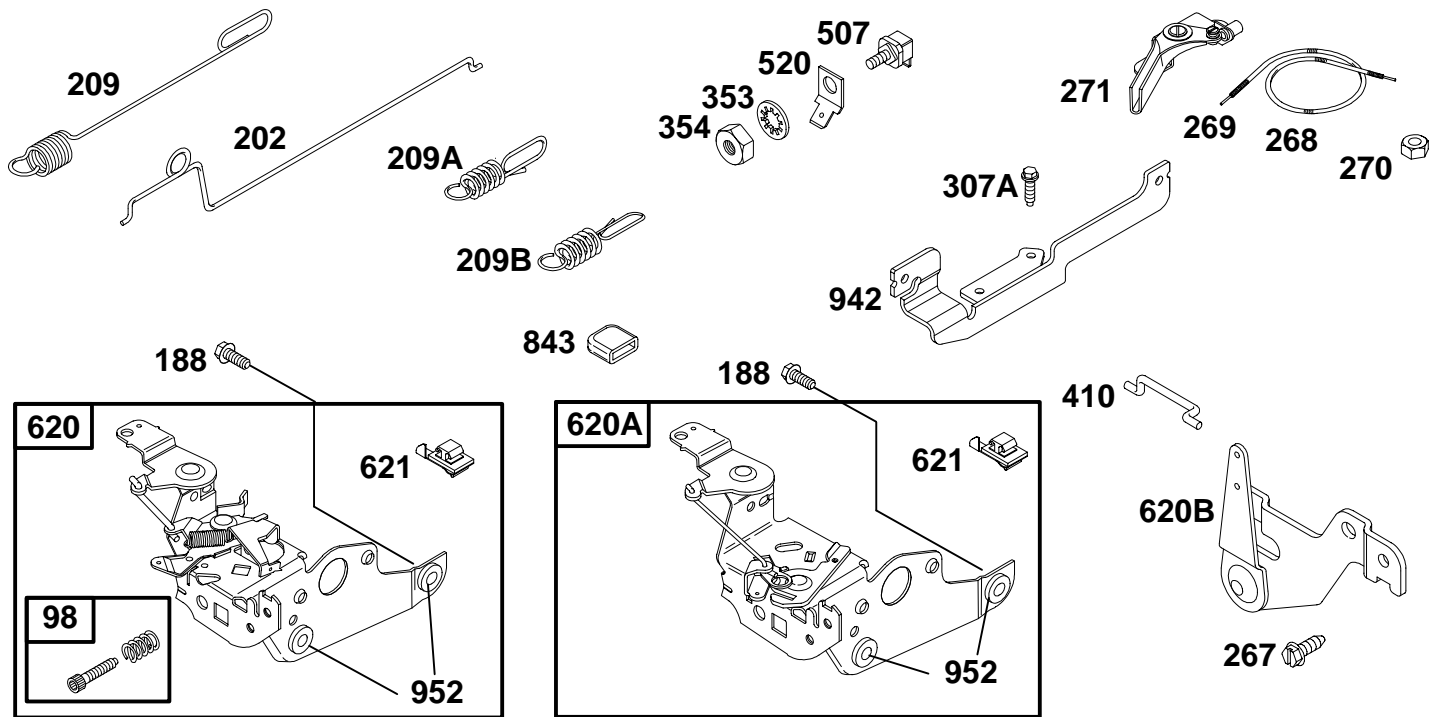


REF. NO.	PART NO.	DESCRIPTION	REF. NO.	PART NO.	DESCRIPTION	REF. NO.	PART NO.	DESCRIPTION
94	●493765	Valve-Idle Adjustment	117A	493637	Jet-Main (Standard)	134	●398188	Valve-Needle (Includes Seat)
95	94098	Screw-Round Head			<b>Note</b>	137	◆	Gasket-Bowl (Sold in Kit Only)
98A	398185	Screw-Idle Speed			494870			Jet-Main (High Altitude)
104	●231371	Pin-Float Hinge	124	94525	Screw-Hex.	141	494218	Shaft-Choke
108	223471	Valve-Choke	125	498254	Carburetor	609	262749	Spring
110	◆	Washer-Bowl (Sold in Kit Only)			<b>Note</b>	617	◆270344	Seal-Intake Manifold
117	497466	Jet-Main (Standard)			497314			Carburetor (Used Before Code Date 95103000).
		<b>Note</b>	125A	494216	Carburetor	634	◆	Washer-Foam (Sold in Kit Only)
		497315	127	●	Plug-Welch (Sold in Kit Only)	975	493640	Bowl-Float
		(Standard)			497314			Carburetor (Used Before Code Date 95103000).
		496495	130	224908	Valve-Throttle			
		(High Altitude)	130A	223470	Valve-Throttle			
		497348	131	493267	Shaft-Throttle			
		Jet-Main (High Altitude)	133	398187	Float-Carburetor			
		(Used Before Code Date 95103000).						

★ Included in Gasket Set-Part Number 497316.  
● Included in Carburetor Kit-See Ref. 121.

◆ Included in Carburetor Gasket Set-See Ref. 977.  
◊ Included in Valve Overhaul Gasket Set-Part No. 498528.

# 12E700 to 12E799

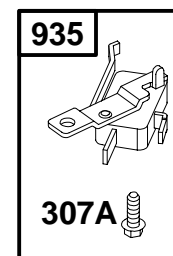
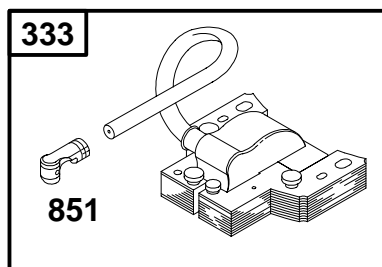
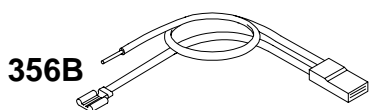
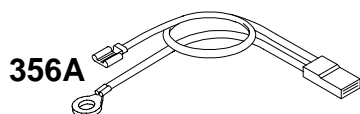
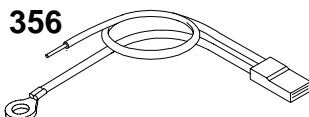
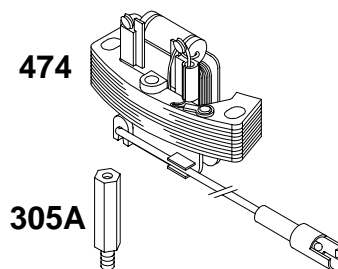
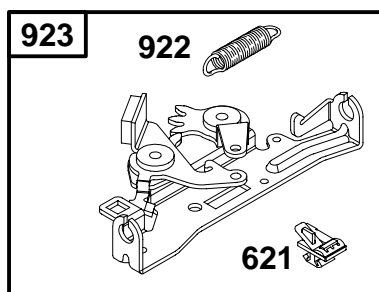
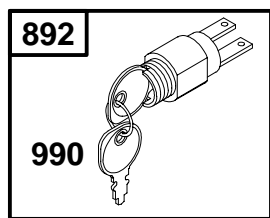


REF. NO.	PART NO.	DESCRIPTION	REF. NO.	PART NO.	DESCRIPTION	REF. NO.	PART NO.	DESCRIPTION
98	493280	Screw-Idle Speed				620	495975	Bracket-Control Used on Type No(s). 0624, 0626, 0664, 0692, 0700, 0707, 2615.
188	94644	Screw-Hex.						
202	262579	Link Mechanical Governor						
209	263044	Spring-Governor						
		<b>Note</b>						
	263042	Spring-Gov. Used on Type No(s). 0683, 0690, 0693 0699, 0711, 0712, 0713.						
	263046	Spring-Governor Used on Type No(s). 0600, 0608.						
209A	262660	Spring-Governor				620A	497203	Bracket-Control Used on Type No(s). 0651, 0668, 0679, 0683, 0690, 0693, 0699, 0711, 0712, 0713, 0722, 0729.
		<b>Note</b>						
	262655	Spring-Governor Used on Type No(s). 2606, 2607.				620B	497379	Bracket-Control Used on Type No(s). 0615, 0616, 0618, 2625.
	262657	Spring-Governor Used on Type No(s). 0644, 0682.				621	396847	Switch-Stop (Includes 2)
	262664	Spring-Governor Used on Type No(s). 0624, 0692, 0700.	209B	262659	Spring-Governor Used on Type No(s). 0611.	843	272616	Sleeve-Lever
			267	94694	Screw-Slotted Hex.	942	224494	Bracket-Brake Used on Type No(s). 2615, 2616, 2618, 2625.
			268	66986	Casing-Wire (48" Long Cut to Required Length)	952	★493823	Spacer
			269	26099	Wire-Control (54" Long Cut to Required Length)			
			270	63426	Locknut-Casing			
			271	290568	Lever-Control			
			307A	93758	Screw-Hex.			
			353	92791	Washer-Lock			
			354	90576	Nut-Hex.			
			410	262782	Link-Control			
			507	398525	Insulator			
			520	93722	Terminal			

★ Included in Gasket Set-Part Number 497316.  
● Included in Carburetor Kit-See Ref. 121.

◆ Included in Carburetor Gasket Set-See Ref. 977.  
⊙ Included in Valve Overhaul Gasket Set-Part No. 498528.

# 12E700 to 12E799



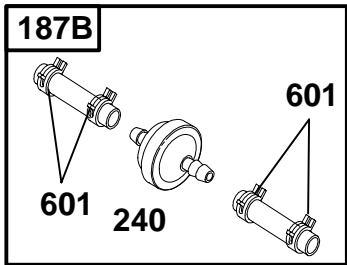
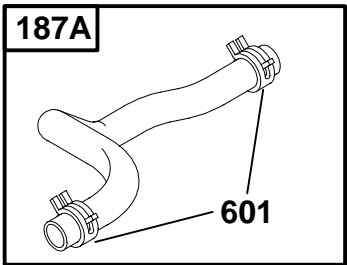
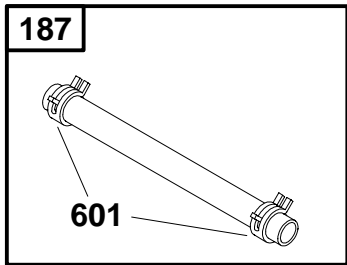
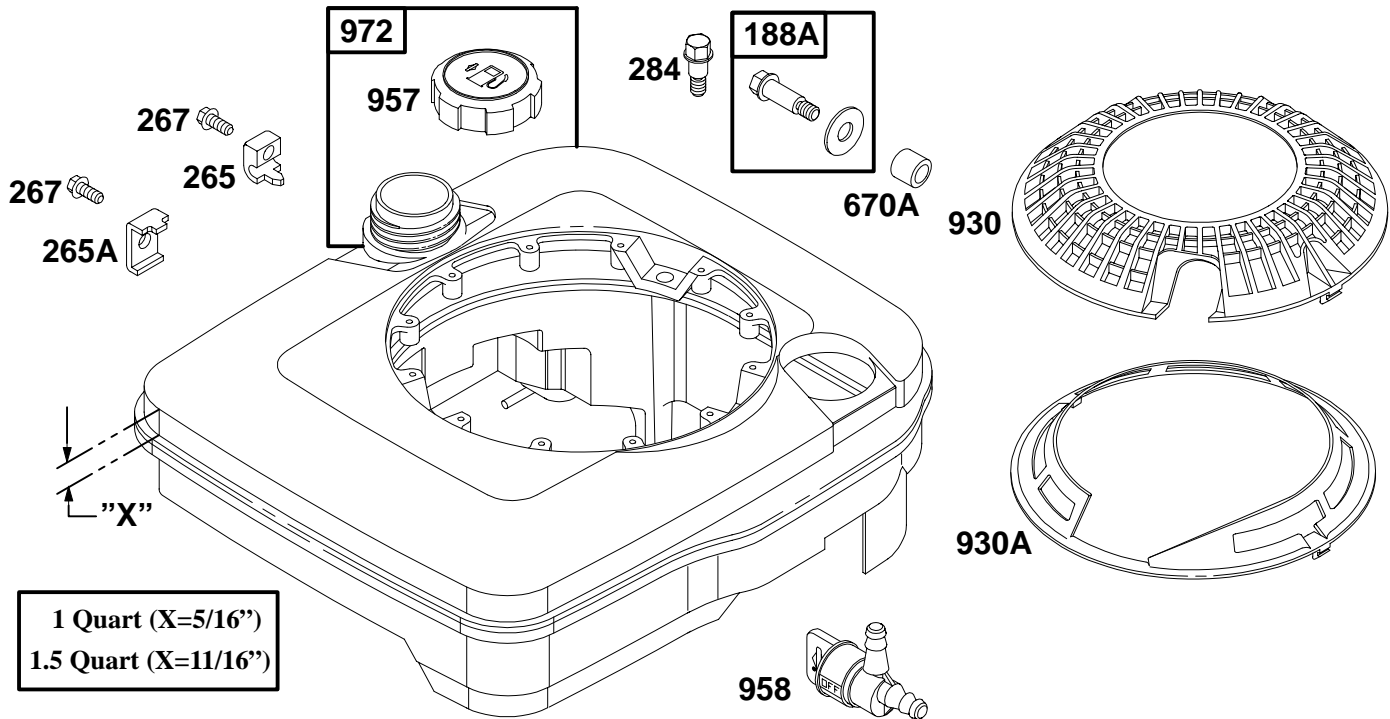
REF. NO.	PART NO.	DESCRIPTION	REF. NO.	PART NO.	DESCRIPTION	REF. NO.	PART NO.	DESCRIPTION
236	262461	Link-Lock Out Used on Type No(s). 2615, 2616, 2618, 2625.	356	398808	Wire-Stop	923	493442	Brake
258	94512	Screw-Slotted Hex.	356A	398708	Wire-Stop	935	499421	Switch-Interlock
305A	94510	Stud-Stator Mounting	356B	494714	Wire-Stop			<b>Note</b>
307A	93758	Screw-Hex.	356C	497833	Wire-Stop			398758 Switch- Interlock (Used Before Code Date 92100700).
333	802574	Armature-Magneto	474	492841	Alternator	990	392832	Key Set- Starter Switch
334	94731	Screw-Hex.	621	396847	Switch-Stop			
			851	493880	Terminal-Cable			
			892	396291	Key-Switch			
			922	262640	Spring-Brake			

★ Included in Gasket Set-Part Number 497316.  
● Included in Carburetor Kit-See Ref. 121.

◆ Included in Carburetor Gasket Set-See Ref. 977.  
◊ Included in Valve Overhaul Gasket Set-Part No. 498528.



# 12E700 to 12E799

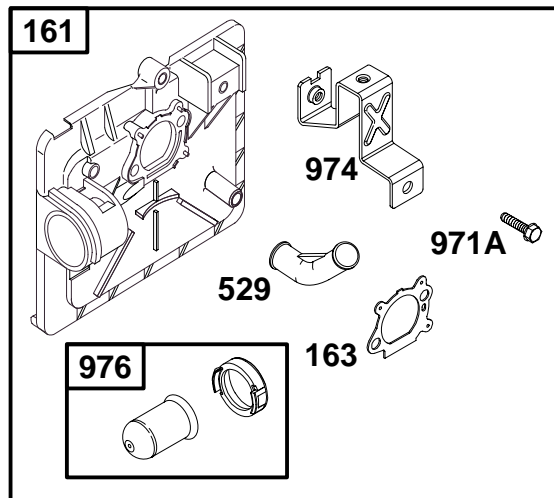
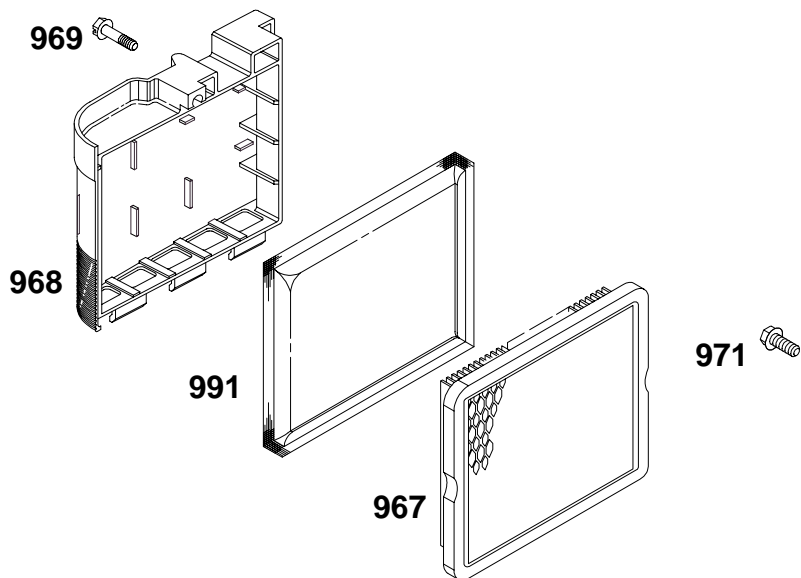


REF. NO.	PART NO.	DESCRIPTION	REF. NO.	PART NO.	DESCRIPTION	REF. NO.	PART NO.	DESCRIPTION
187	492790	Line-Fuel (Cut To Required Length)	284	94511	Screw-Shoulder	958	494769	Valve-Shut-Off
187A	492791	Line-Fuel	601	93807	Clamp-Hose (Black)	972	497202	Tank-Fuel (1 Quart)
187B	498171	Line-Fuel	<b>Note</b>			<b>Note</b>		
188A	398540	Screw-Shoulder	93053	Clamp-Hose (Green)	497226	Tank Assembly-Fuel (1 1/2 Quart)		
240	298090	Filter-Fuel	670A	280512	Spacer-Fuel Tank	Used on Type No(s). 2606.		
265	213146	Clamp-Casing	930	281136	Guard-Rewind			
265A	221535	Clamp-Casing	930A	281187	Guard-Rewind			
267	94694	Screw-Slotted Hex.	957	397974	Cap-Fuel Tank			

★ Included in Gasket Set-Part Number 497316.  
● Included in Carburetor Kit-See Ref. 121.

◆ Included in Carburetor Gasket Set-See Ref. 977.  
◊ Included in Valve Overhaul Gasket Set-Part No. 498528.

# 12E700 to 12E799

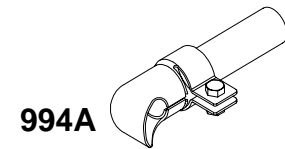
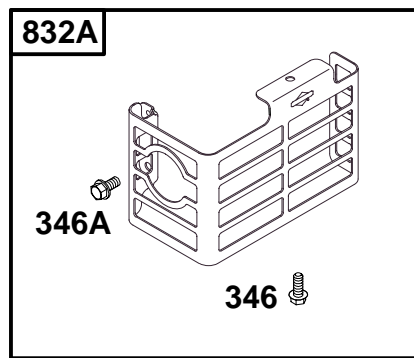
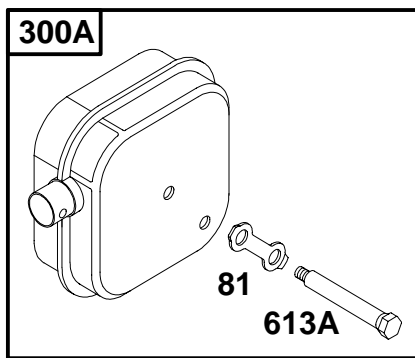
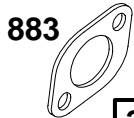
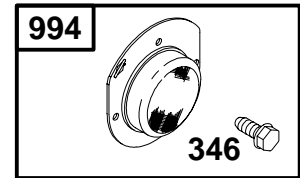
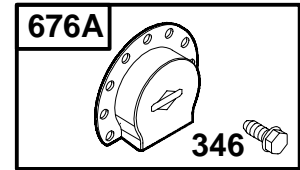
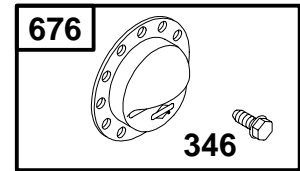
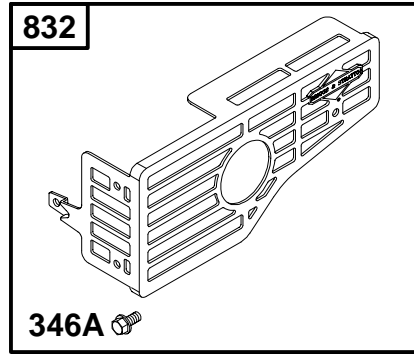
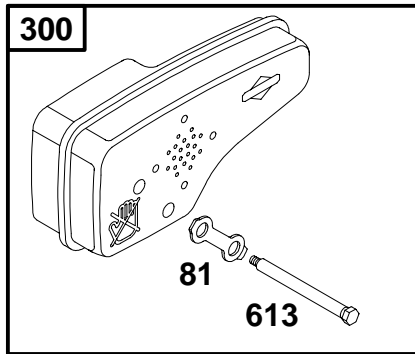


REF. NO.	PART NO.	DESCRIPTION	REF. NO.	PART NO.	DESCRIPTION	REF. NO.	PART NO.	DESCRIPTION
161	496116	Base—Air Cleaner	968	281340	Cover—Air Cleaner	974	224815	Bracket—Support
163★◆	272653	Gasket—Air Cleaner	969	94120	Screw—Slotted Hex.	976	496115	Primer—Carburetor
529	281299	Grommet	971	94121	Screw—Hex.	991	493537	Filter—Air (Pre—Filter)
967	491588	Filter—Air	971A	94749	Screw—Hex.			

★ Included in Gasket Set—Part Number 497316.  
 ● Included in Carburetor Kit—See Ref. 121.

◆ Included in Carburetor Gasket Set—See Ref. 977.  
 ∅ Included in Valve Overhaul Gasket Set—Part No. 498528.

# 12E700 to 12E799

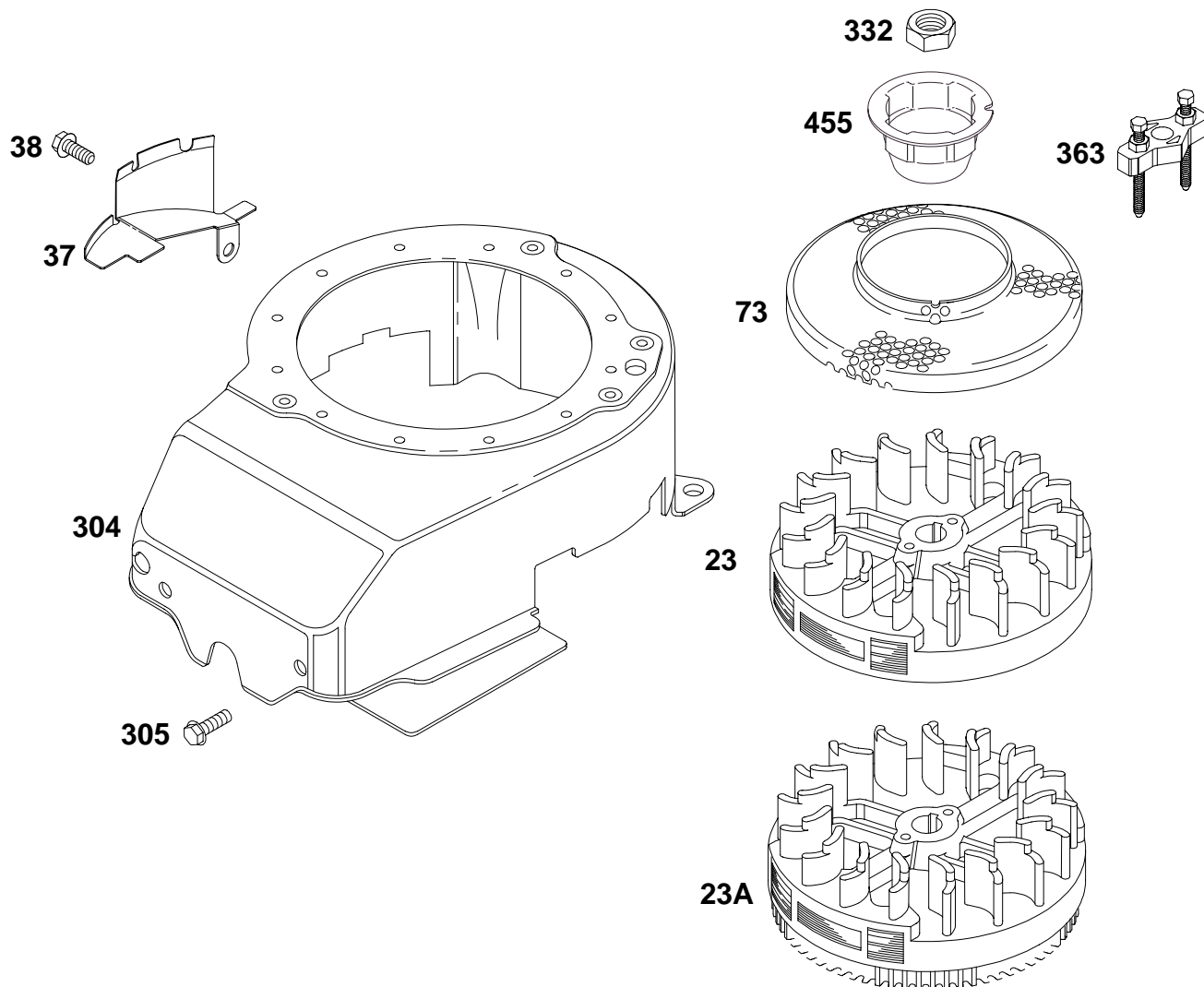


REF. NO.	PART NO.	DESCRIPTION	REF. NO.	PART NO.	DESCRIPTION	REF. NO.	PART NO.	DESCRIPTION
81	223664	Lock-Muffler Screw	346A	94602	Screw-Hex.	832	494224	Guard-Muffler
300	496106	Muffler-Exhaust	613	94231	Screw-Shoulder	832A	497508	Guard-Muffler
300A	494343	Muffler-Exhaust (Square Lo-Tone)	613A	94615	Screw-Shoulder	883	★Ø272253	Gasket-Exhaust
346	93705	Screw-Hex.	676	396548	Deflector-Muffler	994	398067	Arrester-Spark
			676A	393760	Deflector-Muffler	994A	494486	Arrester-Spark

★ Included in Gasket Set-Part Number 497316.  
 ● Included in Carburetor Kit-See Ref. 121.

◆ Included in Carburetor Gasket Set-See Ref. 977.  
 Ø Included in Valve Overhaul Gasket Set-Part No. 498528.

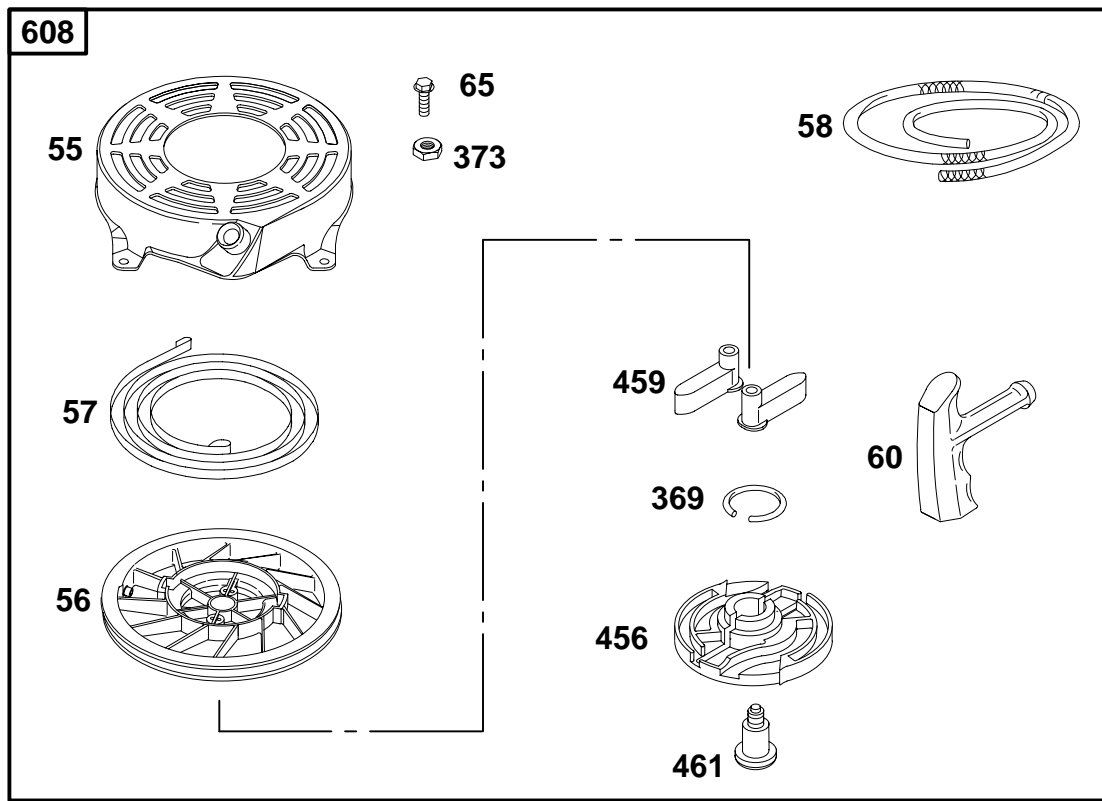
# 12E700 to 12E799



REF. NO.	PART NO.	DESCRIPTION	REF. NO.	PART NO.	DESCRIPTION	REF. NO.	PART NO.	DESCRIPTION
23	492177	Flywheel	73	225125	Screen—Rotating	305	94744	Screw—Hex.
		<b>Note</b>	304	493294	Housing—Blower	332	92284	Nut—Flywheel
		492893 Flywheel			(Used on Engines	363	19069	Flywheel Puller
		Used on Type No(s).			without Band Brake)	455	225121	Cup—Flywheel
		0611, 0688, 0705,			<b>Note</b>			
		2606, 2607.			493293 Housing—			
23A	492175	Flywheel			Blower			
37	224511	Guard—Flywheel			(Used on Engines with			
38	94786	Screw—Hex.			Band Brake)			

★ Included in Gasket Set—Part Number 497316.  
 ● Included in Carburetor Kit—See Ref. 121.

◆ Included in Carburetor Gasket Set—See Ref. 977.  
 ◊ Included in Valve Overhaul Gasket Set—Part No. 498528.

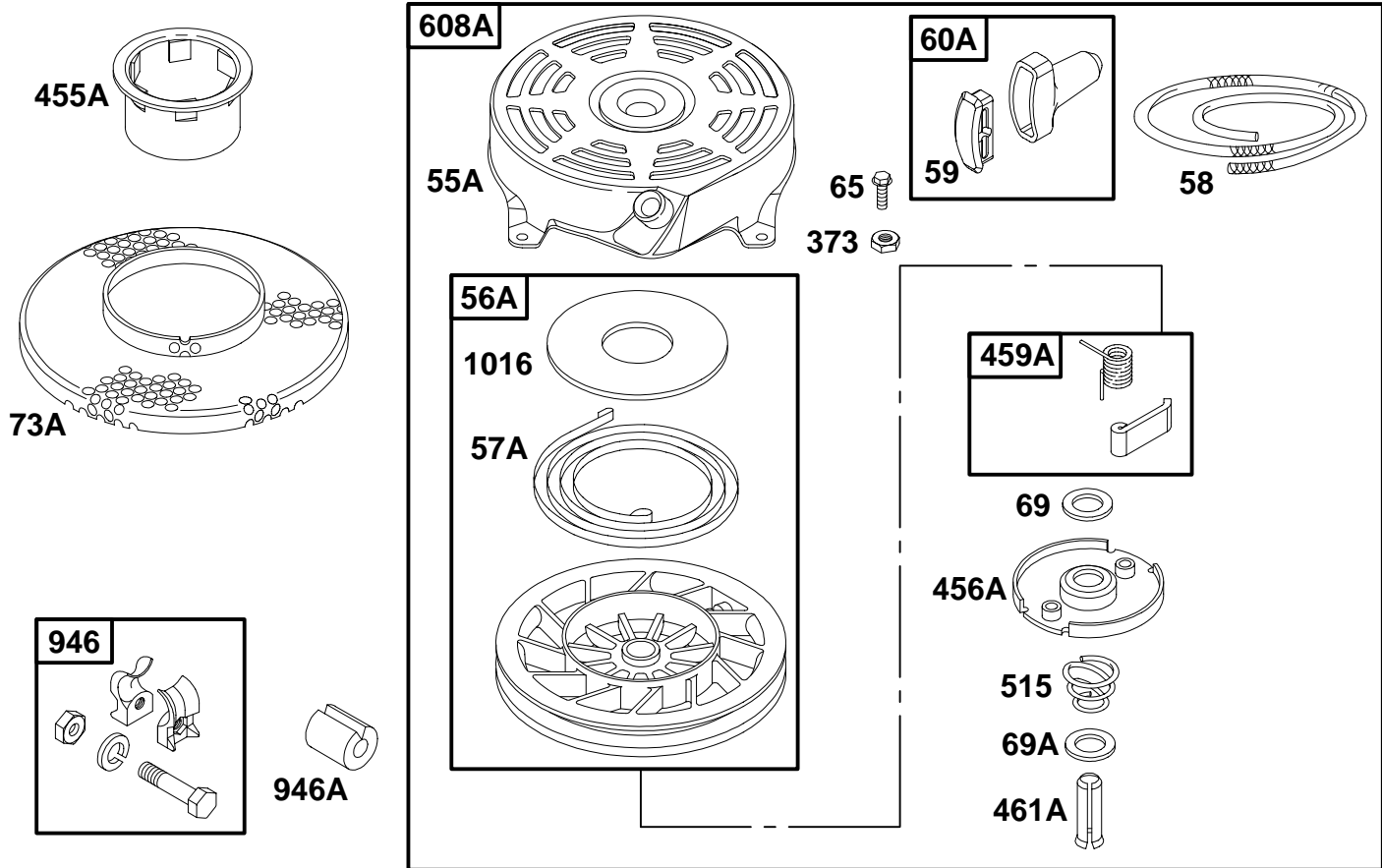


REF. NO.	PART NO.	DESCRIPTION	REF. NO.	PART NO.	DESCRIPTION	REF. NO.	PART NO.	DESCRIPTION
55	497440	Housing-Rewind Starter	58	280399	Rope-Starter (Cut To Required Length)	373	92987	Nut-Hex.
56	281504	Pulley-Starter	60	281434	Grip-Starter Rope	456	281503	Plate-Pawl Friction
57	263074	Spring-Rewind Starter	65	94686	Screw-Hex.	459	281505	Pawl-Ratchet
			369	263073	Spring-Friction	461	94943	Screw-Shoulder
						608	497680	Starter-Rewind

★ Included in Gasket Set-Part Number 497316.  
 ● Included in Carburetor Kit-See Ref. 121.

◆ Included in Carburetor Gasket Set-See Ref. 977.  
 ∅ Included in Valve Overhaul Gasket Set-Part No. 498528.

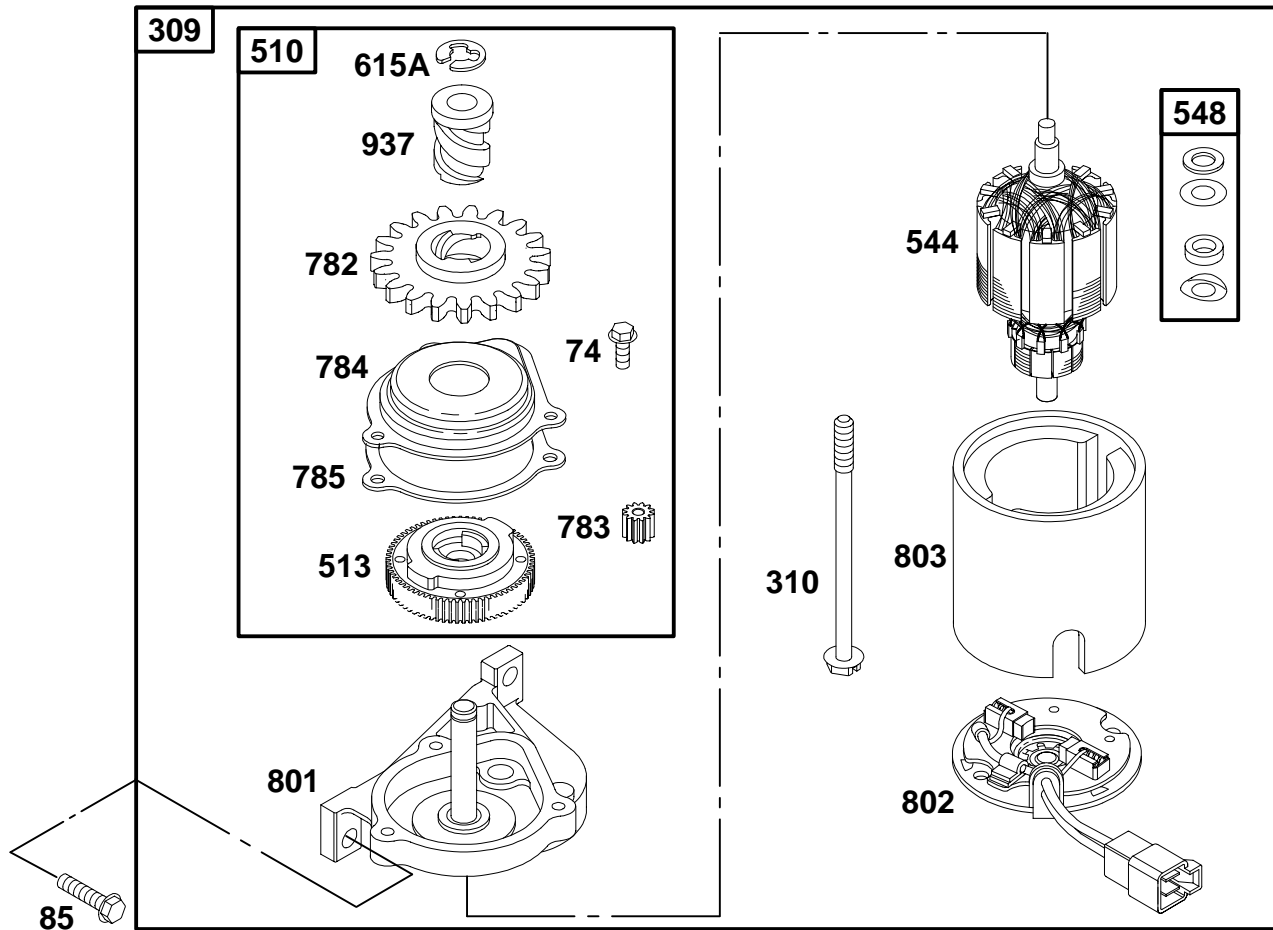
# 12E700 to 12E799



REF. NO.	PART NO.	DESCRIPTION	REF. NO.	PART NO.	DESCRIPTION	REF. NO.	PART NO.	DESCRIPTION
55A	492831	Housing-Rewind Starter	69A	224322	Washer	608A	497598	Starter-Rewind
56A	493824	Pulley-Starter	73A	224251	Screen-Rotating			<b>Include(s):</b>
57A	262594	Spring-Rewind Starter	373	92987	Nut-Hex.			225121 Cup-Flywheel
58	280399	Rope-Starter (Cut To Required Length)	455A	224250	Cup-Flywheel			225133 Screen-Rotating
59	396892	Insert-Grip	456A	224321	Plate-Pawl Friction	946	396526	Guide-Rope Used on Type No(s). 0693.
65	94686	Screw-Hex.	459A	492833	Pawl-Ratchet	946A	223294	Stop-Rope
60A	393152	Grip-Starter Rope	461A	262626	Pin-Shaft	1016	224278	Spacer-Rewind
69	280973	Washer-Seal	515	262625	Spring-Friction			

★ Included in Gasket Set-Part Number 497316.  
 ● Included in Carburetor Kit-See Ref. 121.

◆ Included in Carburetor Gasket Set-See Ref. 977.  
 ◊ Included in Valve Overhaul Gasket Set-Part No. 498528.

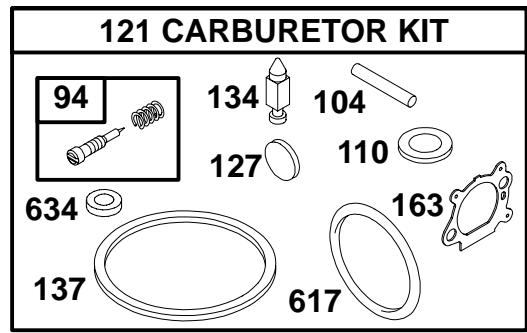
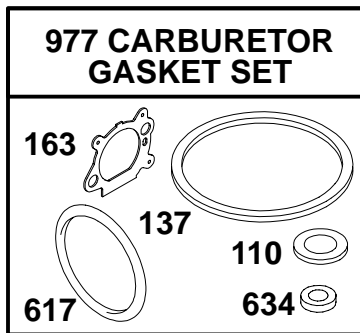
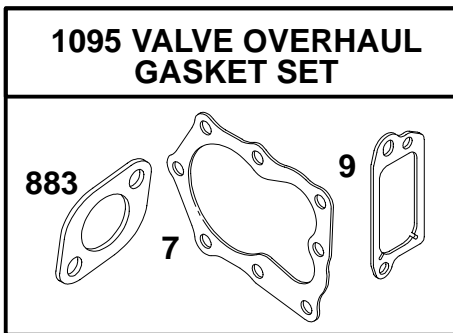
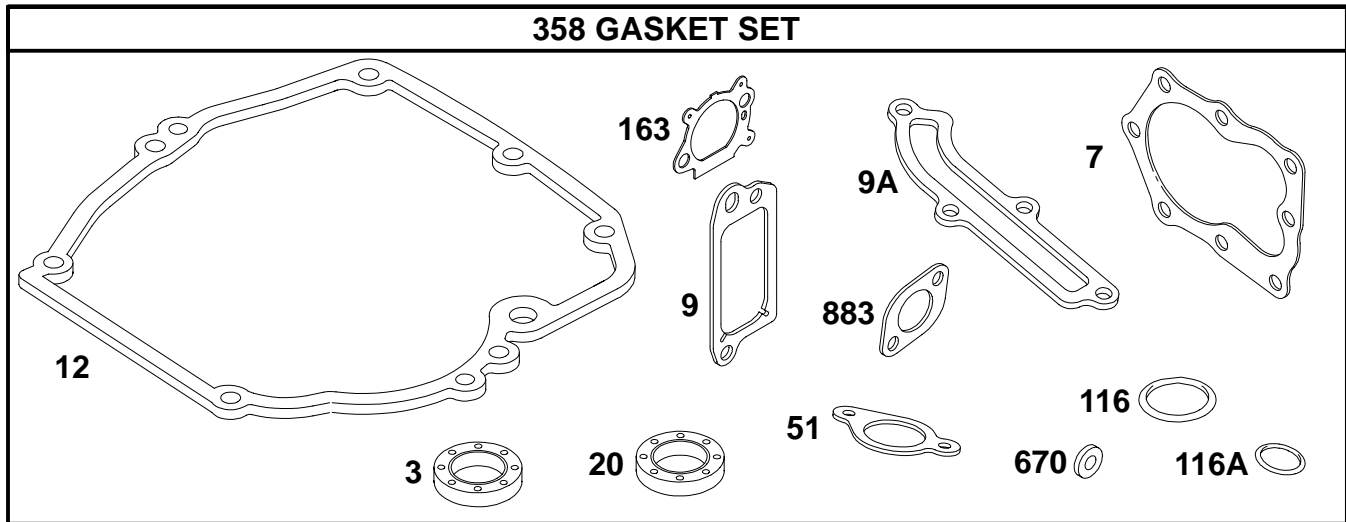


REF. NO.	PART NO.	DESCRIPTION	REF. NO.	PART NO.	DESCRIPTION	REF. NO.	PART NO.	DESCRIPTION
74	93490	Screw-Hex.	544	492921	Armature-Starter	785	272201	Gasket-Cover
85	94974	Screw-Hex.	548	492919	Washer Set	801	492335	Cap-Drive
309	494233	Motor-Starter	615A	93941	Retainer	802	492922	Cap-End
310	94051	Screw-Slotted Hex.	782	281127	Gear-Starter	803	492920	Housing-Starter
510	494147	Drive-Starter	783	261606	Gear-Starter	937	281125	Spline-Starter
513	394815	Clutch-Drive	784	224262	Cover-Gear			

★ Included in Gasket Set-Part Number 497316.  
 ● Included in Carburetor Kit-See Ref. 121.

◆ Included in Carburetor Gasket Set-See Ref. 977.  
 ∅ Included in Valve Overhaul Gasket Set-Part No. 498528.

# 12E700 to 12E799



REF. NO.	PART NO.	DESCRIPTION	REF. NO.	PART NO.	DESCRIPTION	REF. NO.	PART NO.	DESCRIPTION
	3	★299819 Seal-Oil		121	498260 Carburetor Kit		634	◆◆ Washer (Sold in Kit Only)
	7	★∅272916 Gasket-Cylinder Head			<b>Note</b>		670	★493823 Spacer (Includes 2)
	9	★∅272481 Gasket-Breather			493762 Carburetor Kit (Used Before Code Date 95110300).		883	★∅272253 Gasket-Exhaust
	9A	★272238 Gasket-Breather		127	● Plug-Welch (Sold in Kit Only)		977	498261 Gasket Set-Carburetor
	12	★272198 Gasket-Crankcase		134	◆398188 Valve-Needle (Includes Seat)			<b>Note</b>
	20	★399781 Seal-Oil		137	◆◆ Gasket-Float Bowl (Sold in Kit Only)			490937 Gasket Set-Carburetor (Used Before Code Date 95110300).
	51	★272199 Gasket-Intake		163	◆◆272653 Gasket-Air Cleaner		1095	498528 Gasket Set-Valve Overhaul
	94	◆493765 Valve-Idle Adjustment		358	497316 Gasket Set			
	104	◆231371 Pin-Float Hinge		617	◆◆270344 Seal-Intake Manifold			
	110	◆◆ Washer-Bowl (Sold in Kit Only)						
	116	★280393 Seal-O-Ring						
	116A	★280966 Seal-O-Ring						

★ Included in Gasket Set-Part Number 497316.  
 ● Included in Carburetor Kit-See Ref. 121.

◆◆ Included in Carburetor Gasket Set-See Ref. 977.  
 ∅ Included in Valve Overhaul Gasket Set-Part No. 498528.