

12E800 to 12E899

Illustrated Parts List Model Series 12E800 to 12E899

TYPE NUMBERS

0620, 0653, 0808,
0811, 0812, 0816,
0819, 0831, 0833,
0835, 0836, 0837,
0839, 0885, 0886,
0887, 1108, 1114,
1115, 1129, 1135,
1517.

TO FIND

THE CORRECT NUMBER OF THE PART YOU NEED: FOLLOW THE INSTRUCTIONS BELOW

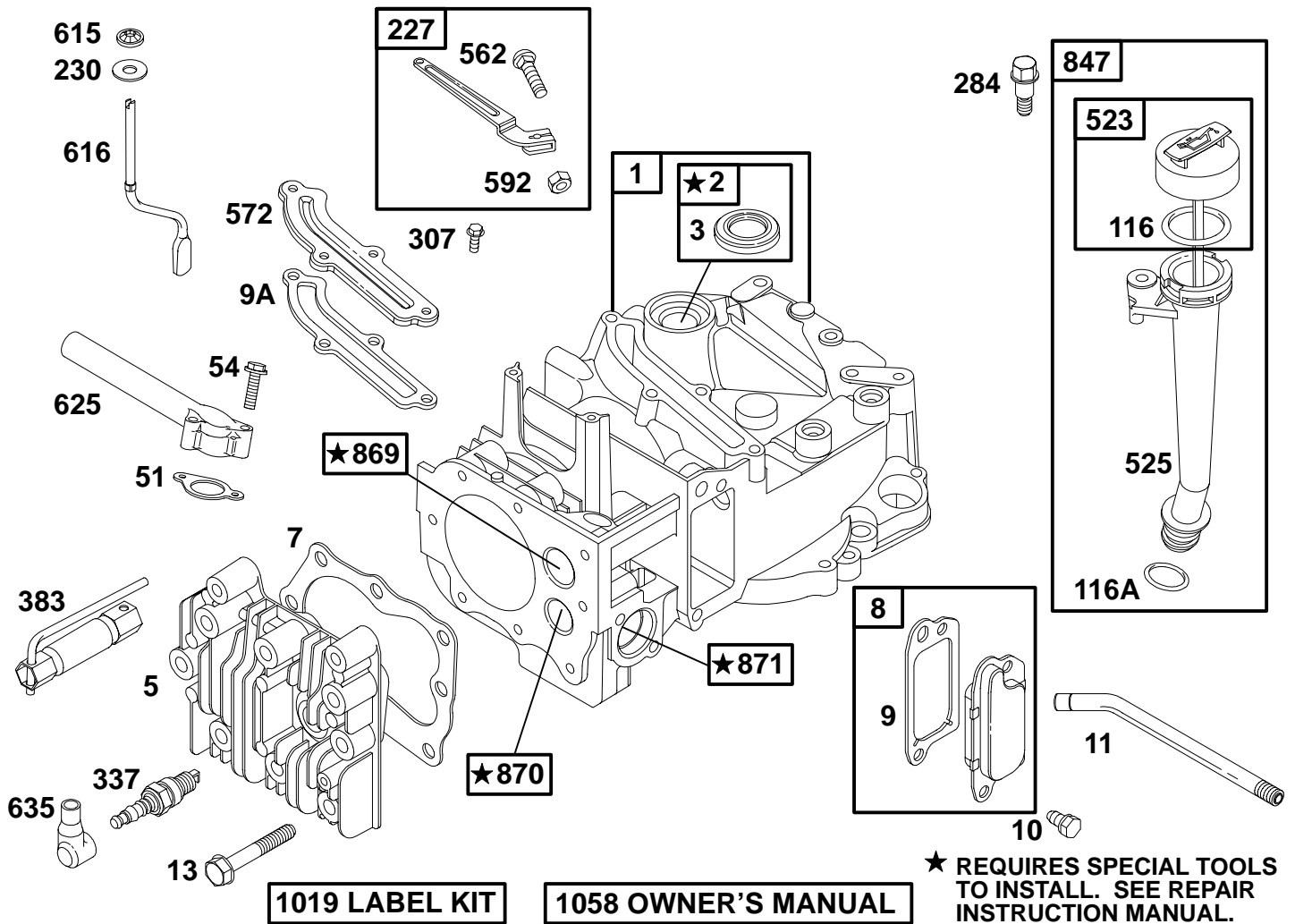
- A. Refer to Engine Model, Type and Code Number that is stamped on the blower housing of engine. Engine type numbers such as 0123 01 are listed only as 0123 in most instances. The two digits (01 or 02, etc.) to the right of the space may be required for more accurate parts identification in some instances. Select the Illustrated Parts List covering the correct Model Series and Type Number.
- B. Refer to the Illustrations and compare the original part with Illustration. The number next to the illustration is the Reference Number. Assemblies include all parts shown in frames. All parts shown in assembly frames having individual reference numbers can be purchased separately.
- C. After the Reference Number has been identified, refer to the Numerical text, where Reference and Primary Part Number are listed. **THE PRIMARY PART IS USED ON ALL TYPE NUMBERS EXCEPT THOSE TYPE NUMBERS UNDER "NOTE."**
- D. If a "Note" appears below the Primary Part Number, it means that this part differs from the Primary Part for certain types. If your Type number is listed under "Note," order the part referred to at the "Note."
- E. If your Engine Type Number does not appear after any part number listed under "Note," use the Primary Part Number.
- F. For Engine Type Numbers not covered by this book, check other Parts Lists having the same engine model or contact your source of supply.

PRINTED IN U.S.A.



COPYRIGHT by BRIGGS & STRATTON CORPORATION
All rights reserved. No part of this material may be reproduced or transmitted, in any form or by any means, electronic or mechanical, including photocopying, recording or by any information storage and retrieval system, without permission in writing from Briggs & Stratton Corporation.

12E800 to 12E899



★ REQUIRES SPECIAL TOOLS TO INSTALL. SEE REPAIR INSTRUCTION MANUAL.

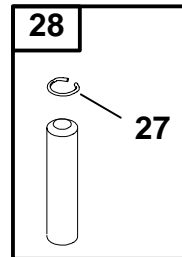
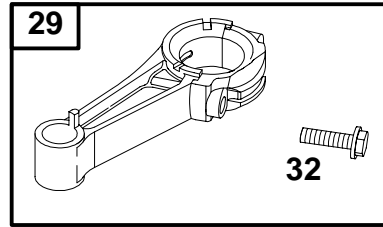
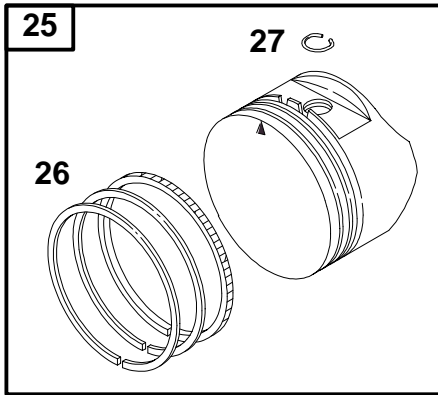
1019 LABEL KIT

1058 OWNER'S MANUAL

| REF. NO. | PART NO. | DESCRIPTION | REF. NO. | PART NO. | DESCRIPTION | REF. NO. | PART NO. | DESCRIPTION |
|----------|----------|--|----------|----------|---|----------|----------|------------------------------------|
| 1 | 493260 | Cylinder Assembly | 116A | ★280966 | Seal-O Ring | 625 | 281085 | Manifold-Intake |
| 2 | 293708 | Bushing | 227 | 492349 | Lever-Governor | 635 | 66538 | Boot-Spark Plug |
| 3 | ★299819 | Seal-Oil | 230 | 67072 | Washer | 847 | 495263 | Dipstick/Tube Assembly |
| 5 | 214626 | Head-Cylinder | 284 | 94511 | Screw-Shoulder | 869 | 213512 | Seat-Valve (Intake) |
| | | Note | 307 | 94515 | Screw-Hex. | 870 | 213513 | Seat-Valve (Exhaust) |
| | | 214349 Head-Cylinder (Used Before Code Date 96060300). | 337 | 802592 | Plug-Spark | 871 | 262001 | Bushing-Guide (Exhaust Valve) |
| 7 | ★Ø272916 | Gasket-Cylinder Head | 383 | 89838 | Wrench-Spark Plug | | | Note |
| 8 | 495786 | Breather Assembly | 523 | 495264 | Dipstick | | | 63709 Bushing-Guide (Intake Valve) |
| 9 | ★Ø272481 | Gasket-Breather | 525 | 495265 | Tube-Oil Fill | 1019 | 494256 | Label Kit |
| 9A | ★272238 | Gasket-Breather | 562 | 92613 | Bolt-Governor Lever | 1058 | 272262 | Owner's Manual |
| 10 | 94650 | Screw-Hex. | 572 | 224328 | Baffle-Cylinder | | | |
| 11 | 231933 | Tube-Breather | 592 | 231082 | Nut-Hex. | | | |
| 13 | 94547 | Screw-Hex. | 615 | 94474 | Retainer | | | |
| 51 | ★272199 | Gasket-Intake | 616 | 263175 | Crank-Governor | | | |
| 54 | 94526 | Screw-Hex. | | | Note | | | |
| 116 | ★280393 | Seal-O Ring | | | 262578 Crank-Governor (Used Before Code Date 96090200). | | | |

★ Included in Gasket Set-Ref. No. 358.
● Included in Carburetor Kit-Ref. 121.

◆ Included in Carburetor Gasket Set-Ref. 977.
Ø Included in Valve Overhaul Gasket Set-Ref. No. 1095.

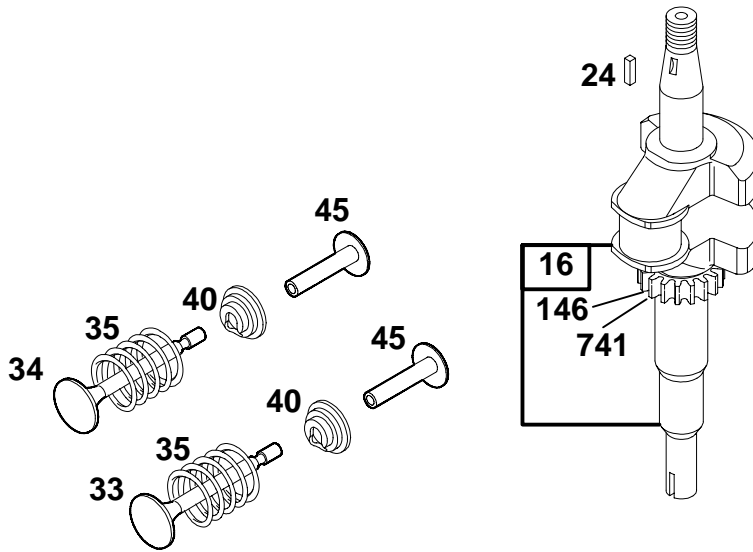


| REF. NO. | PART NO. | DESCRIPTION | REF. NO. | PART NO. | DESCRIPTION | REF. NO. | PART NO. | DESCRIPTION |
|----------|----------|---|----------|----------|--|----------|----------|---|
| 25 | 499429 | Piston Assembly (Standard) Note ——— 493262 Piston Assy. (Standard) (Used Before Code Date 97011300). 493385 Piston Assy. (.010" O.S.) (Used Before Code Date 97011300). 493386 Piston Assy. (.020" O.S.) (Used Before Code Date 97011300). 493387 Piston Assy. (.030" O.S.) (Used Before Code Date 97011300). | 26 | 499425 | Ring Set (Standard) Note ——— 493261 Ring Set (Standard) (Used Before Code Date 97011300). 493388 Ring Set (.010" O.S.) (Used Before Code Date 97011300). 493389 Ring Set (.020" O.S.) (Used Before Code Date 97011300). 493390 Ring Set (.030" O.S.) (Used Before Code Date 97011300). | 28 | 499423 | Pin-Piston (Standard) Note ——— 298909 Pin-Piston (Standard) (Used Before Code Date 97011300). 298908 Pin-Piston (.005" O.S.) (Used Before Code Date 97011300). |
| | | | 27 | 263190 | Lock-Piston Pin 26026 Lock-Piston Pin (Used Before Code Date 97011300). | 29 | 499424 | Rod-Connecting (Standard) Note ——— 490566 Rod-Connecting (Standard) (Used Before Code Date 97011300). 490743 Rod-Connecting (.020" Undersize) (Used Before Code Date 97011300). |
| | | | | | | 32 | 94699 | Screw-Connecting Rod |

★ Included in Gasket Set—Ref. No. 358.
● Included in Carburetor Kit—Ref. 121.

◆ Included in Carburetor Gasket Set—Ref. 977.
⊙ Included in Valve Overhaul Gasket Set—Ref. No. 1095.

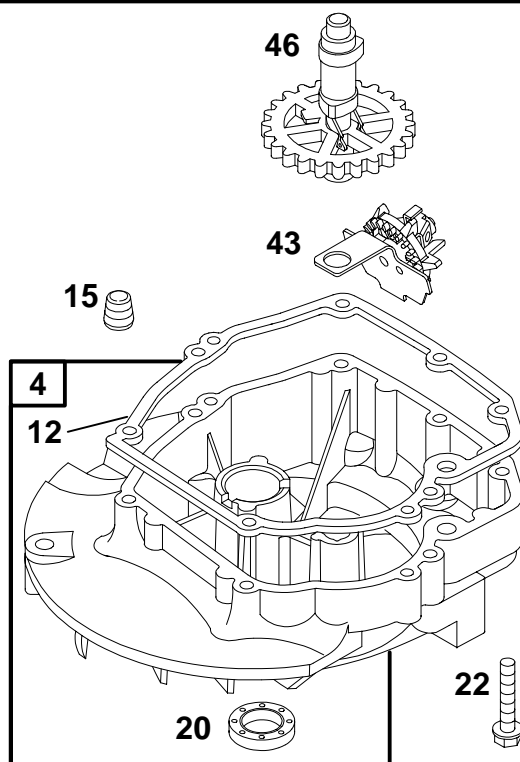
12E800 to 12E899



| REF. NO. | PART NO. | DESCRIPTION | REF. NO. | PART NO. | DESCRIPTION | REF. NO. | PART NO. | DESCRIPTION |
|----------|----------|---|----------|----------|--|----------|----------|--|
| 16 | 498565 | Crankshaft (Used After Code Date 97011200). | | 493363 | Crankshaft (Used Before Code Date 97011300). Used on Type No(s). 0811, 1135. | | 498573 | Crankshaft (Used After Code Date 97011200). Used on Type No(s). 0620, 0653. |
| | | Note | | 498569 | Crankshaft (Used After Code Date 97011200). Used on Type No(s). 2626. | | 494546 | Crankshaft (Used Before Code Date 97011300). Used on Type No(s). 0620, 0653. |
| | | 498562 Crankshaft (Used After Code Date 97011200). Used on Type No(s). 0808, 0833, 0836, 1108, 1129. | | 493946 | Crankshaft (Used Before Code Date 97011300). Used on Type No(s). 2626. | | 498576 | Crankshaft (Used After Code Date 97011200). Used on Type No(s). 1114. |
| | | 493282 Crankshaft (Used Before Code Date 97011300). Used on Type No(s). 0808, 0833, 0836, 1108, 1129. | | 498571 | Crankshaft (Used After Code Date 97011200). Used on Type No(s). 0812, 1517. | | 496809 | Crankshaft (Used Before Code Date 97011300). Used on Type No(s). 1114. |
| | | 498566 Crankshaft (Used After Code Date 97011200). Used on Type No(s). 0811, 1135. | | 493947 | Crankshaft (Used Before Code Date 97011300). Used on Type No(s). 0812, 1517. | 24 | 222698 | Key-Flywheel |
| | | | | | | 33 | 262651 | Valve-Exhaust |
| | | | | | | 34 | 262652 | Valve-Intake |
| | | | | | | 35 | 262224 | Spring-Valve |
| | | | | | | 40 | 93312 | Retainer-Valve |
| | | | | | | 45 | 262204 | Tappet-Valve |
| | | | | | | 146 | 94388 | Key-Timing |
| | | | | | | 741 | 262598 | Gear-Timing |

★ Included in Gasket Set-Ref. No. 358.
● Included in Carburetor Kit-Ref. 121.

◆ Included in Carburetor Gasket Set-Ref. 977.
⊗ Included in Valve Overhaul Gasket Set-Ref. No. 1095.

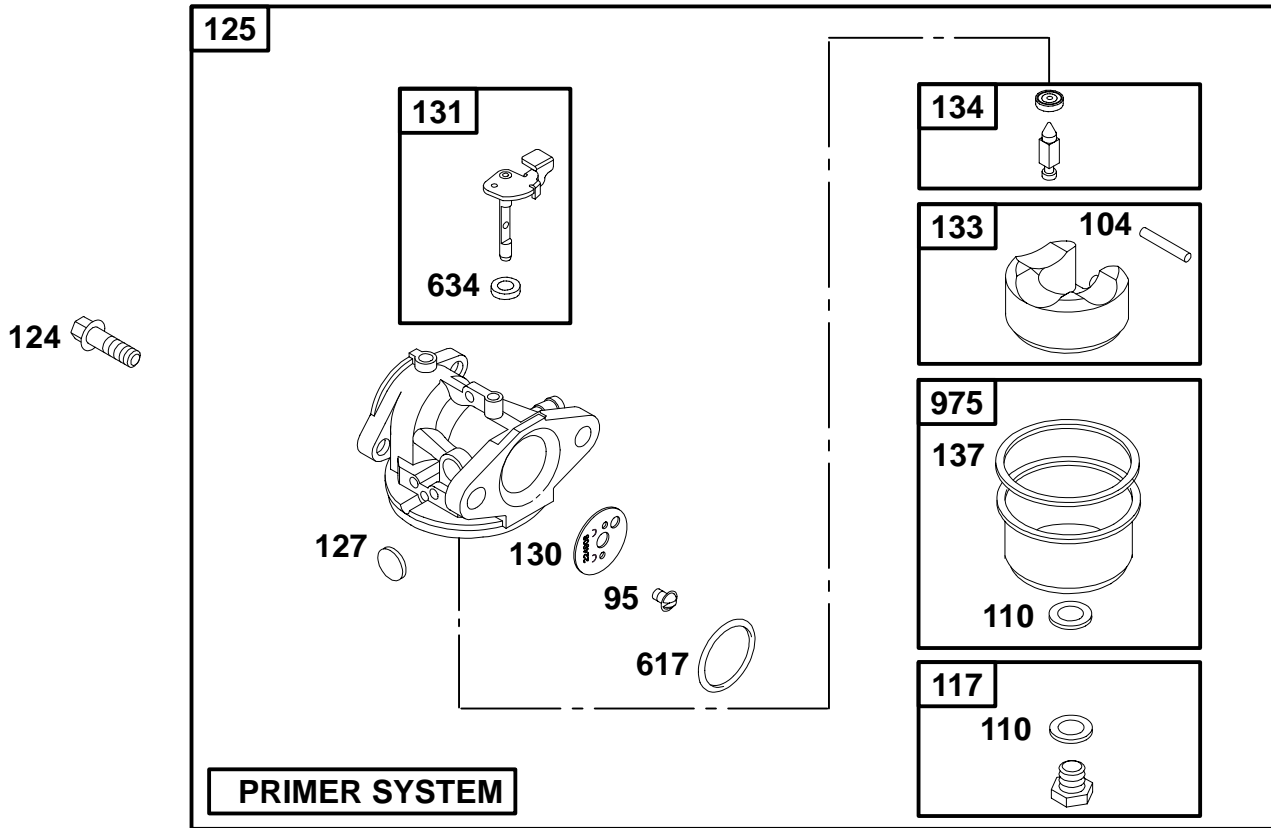


| REF. NO. | PART NO. | DESCRIPTION | REF. NO. | PART NO. | DESCRIPTION | REF. NO. | PART NO. | DESCRIPTION | |
|----------|----------|------------------|----------|----------|----------------------|------------|----------|-------------|-----------------------------------|
| 4 | 493279 | Sump-Engine | 22 | 94220 | Screw-Hex. | 46 | 498275 | Gear-Cam | |
| 12 | ★272198 | Gasket-Crankcase | | | Note | | | Note | |
| 15 | 94720 | Plug-Oil Drain | | | 94612 | Screw-Hex. | | 492830 | Gear-Cam |
| 20 | ★399781 | Seal-Oil | | | | | | | (Used Before Code Date 96060300). |
| | | | 43 | 493737 | Governor/Oil Slinger | | | | |

★ Included in Gasket Set-Ref. No. 358.
 ● Included in Carburetor Kit-Ref. 121.

◆ Included in Carburetor Gasket Set-Ref. 977.
 ∅ Included in Valve Overhaul Gasket Set-Ref. No. 1095.

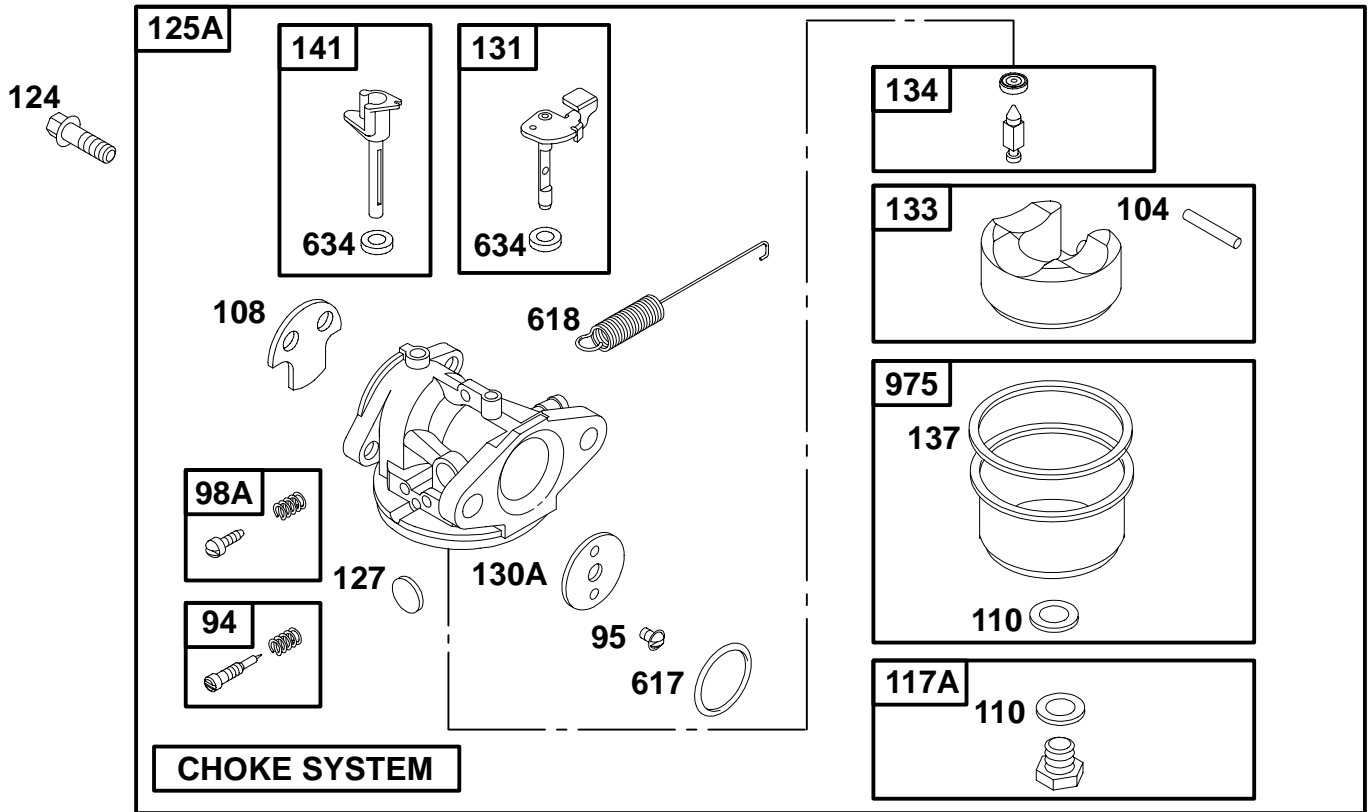
12E800 to 12E899



| REF. NO. | PART NO. | DESCRIPTION | REF. NO. | PART NO. | DESCRIPTION | REF. NO. | PART NO. | DESCRIPTION |
|----------|----------|---|----------|----------|--|----------|----------|---|
| 95 | 94098 | Screw—Round Head | 124 | 94525 | Screw—Hex. | 131 | 493267 | Shaft—Throttle |
| 104 | ●231371 | Pin—Float Hinge | 125 | 498254 | Carburetor (Used After Code Date 95102900). | 133 | 398187 | Float—Carburetor |
| 110 | ◆ | Washer (Sold in Kit Only) | | | ————— Note ————— 497314 Carburetor (Used Before Code Date 95103000). 498170 Carburetor (Used After Code Date 96060200). | 134 | ●398188 | Valve—Needle (Includes Seat) |
| 117 | 497466 | Jet—Main (Standard) (Used After Code Date 95102900). | 127 | ● | Plug—Welch (Sold in Kit Only) | 137 | ◆ | Gasket—Float Bowl (Sold in Kit Only) |
| | | ————— Note ————— 496495 Jet—Main (High Altitude) (Used After Code Date 95102900). | 130 | 224908 | Valve—Throttle | 617 | ●◆270344 | Seal—Intake Manifold |
| | | 497315 Jet—Main (Standard) (Used Before Code Date 95103000). | | | | 634 | ◆ | Washer (Sold in Kit Only) |
| | | 497348 Jet—Main (High Altitude) (Used Before Code Date 95103000). | | | | 975 | 493640 | Bowl—Float |

★ Included in Gasket Set—Ref. No. 358.
● Included in Carburetor Kit—Ref. 121.

◆ Included in Carburetor Gasket Set—Ref. 977.
⊗ Included in Valve Overhaul Gasket Set—Ref. No. 1095.

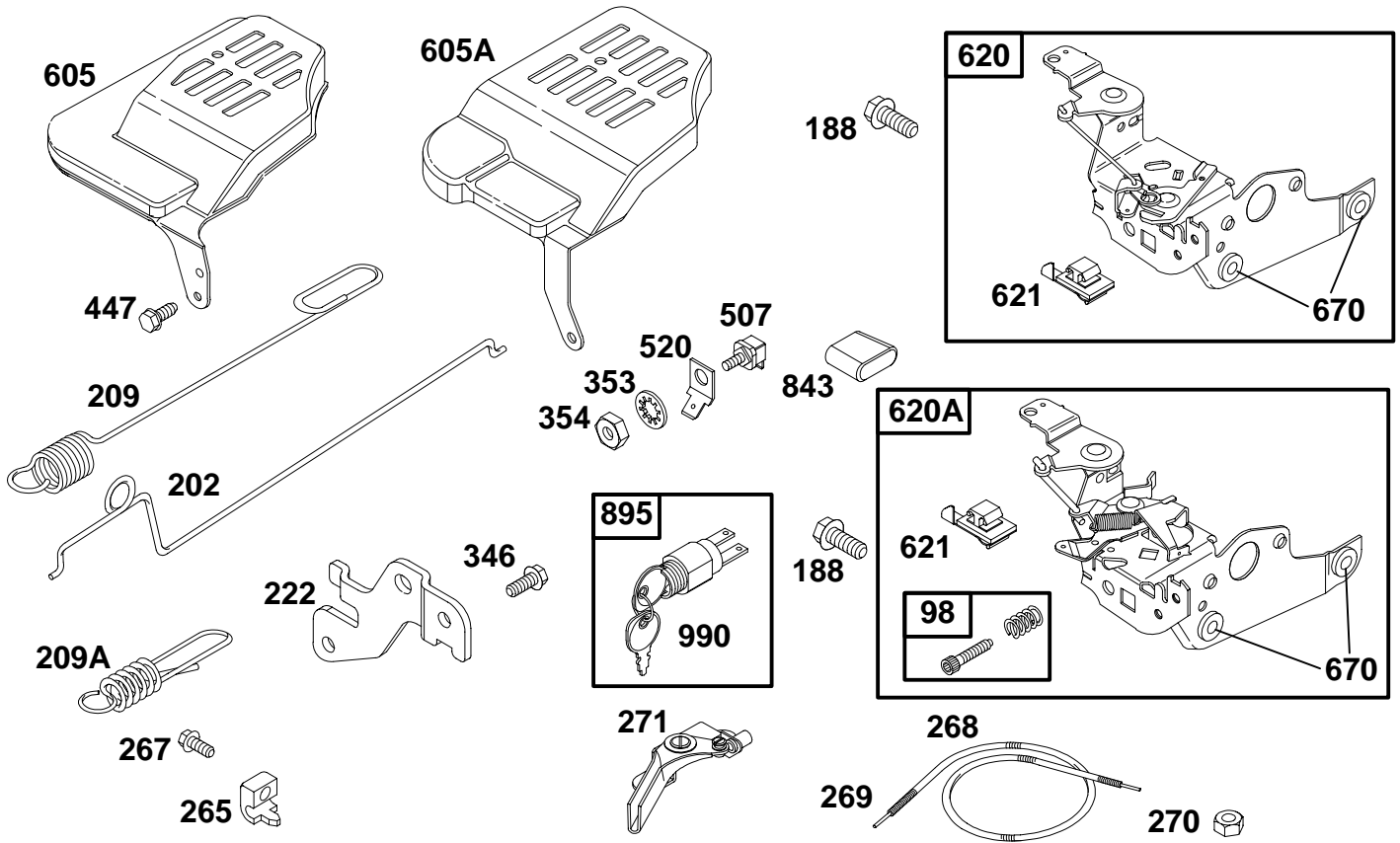


| REF. NO. | PART NO. | DESCRIPTION | REF. NO. | PART NO. | DESCRIPTION | REF. NO. | PART NO. | DESCRIPTION |
|----------|----------|------------------------------------|----------|----------|----------------------------------|----------|----------|---|
| 94 | ●493765 | Valve-Idle Adjustment | 124 | 94525 | Screw-Hex. | 137 | ◆ | Gasket-Float Bowl (Sold in Kit Only) |
| 95 | 94098 | Screw-Round Head | 125A | 494216 | Carburetor | 141 | 494218 | Shaft-Choke |
| 98A | 398185 | Screw-Idle Speed | 127 | ● | Plug-Welch (Sold in Kit Only) | 617 | ◆270344 | Seal-Intake Manifold |
| 104 | ●231371 | Pin-Float Hinge | 130A | 223470 | Valve-Throttle | 618 | 262749 | Spring |
| 108 | 223471 | Valve-Choke | 131 | 493267 | Shaft-Throttle | 634 | ◆ | Washer (Sold in Kit Only) |
| 110 | ◆ | Washer (Sold in Kit Only) | 133 | 398187 | Float-Carburetor | 975 | 493640 | Bowl-Float |
| 117A | 493637 | Jet-Main (Standard) | 134 | ●398188 | Valve-Needle (Includes Seat) | | | |
| | | Note | | | | | | |
| | | 496063 Jet-Main (High Altitude) | | | | | | |

★ Included in Gasket Set-Ref. No. 358.
● Included in Carburetor Kit-Ref. 121.

◆ Included in Carburetor Gasket Set-Ref. 977.
⊙ Included in Valve Overhaul Gasket Set-Ref. No. 1095.

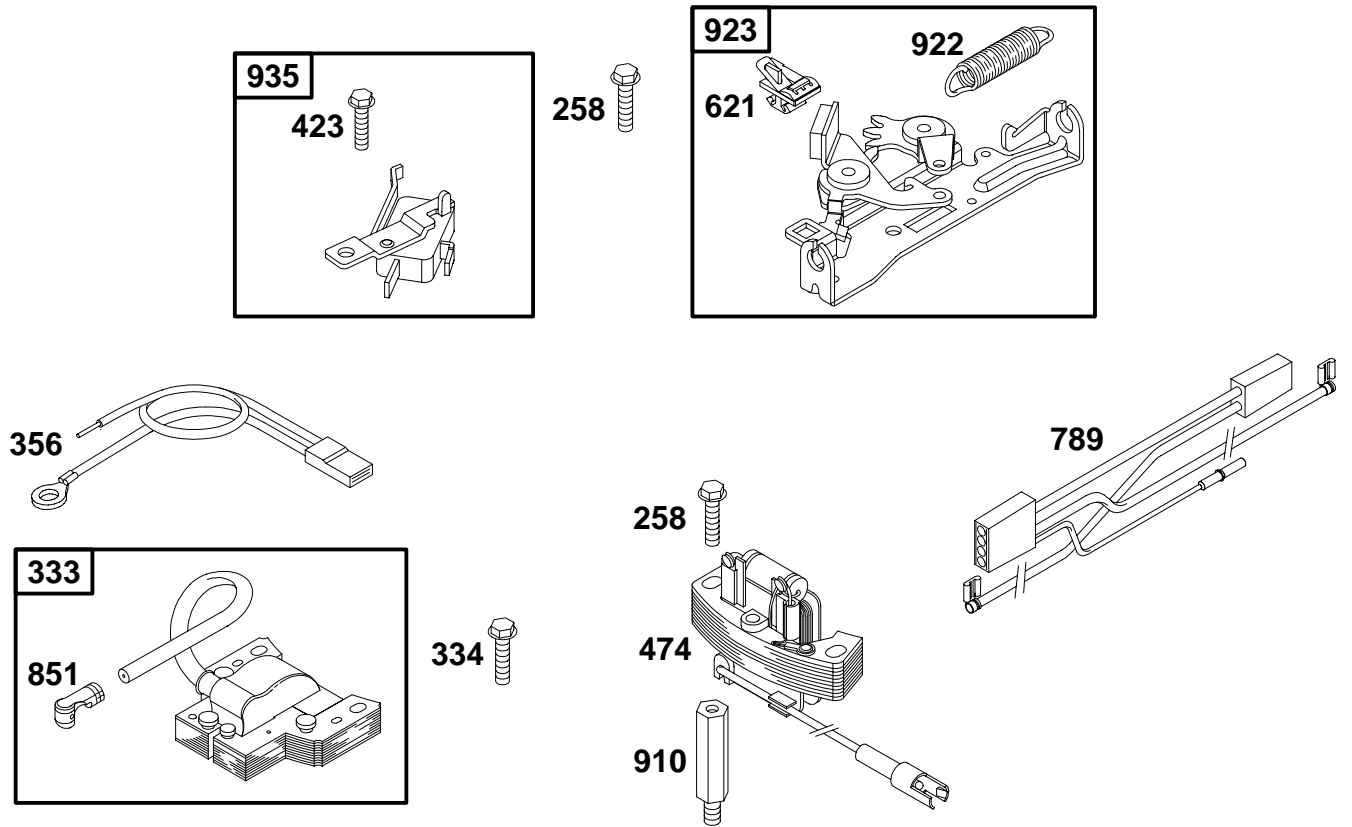
12E800 to 12E899



| REF. NO. | PART NO. | DESCRIPTION | REF. NO. | PART NO. | DESCRIPTION | REF. NO. | PART NO. | DESCRIPTION |
|----------|----------|--|----------|----------|--|----------|----------|---|
| 98 | 493280 | Screw-Idle Speed | 222 | 225152 | Bracket-Control | 520 | 93722 | Terminal |
| 188 | 94644 | Screw-Hex. | 265 | 213146 | Clamp-Casing | 605 | 225103 | Cover-Control |
| 202 | 262579 | Link-Mechanical Governor | 267 | 94882 | Screw-Slotted Hex. | 605A | 224509 | Cover-Control |
| 209 | 263044 | Spring-Governor | 268 | 65616 | Casing-Wire (72" Long) (Cut to Required Length) | 620 | 497203 | Bracket-Control Used with Primer Type Carburetor |
| | | Note | | | 66986 Casing-Wire (48" Long) (Cut to Required Length) | 620A | 495975 | Bracket-Control Used with Choke Type Carburetor Used on Type No(s). 0831, 0837. |
| | | 263042 Spring-Gov. Used on Type No(s). 0833, 0835, 0836, 0885. | 269 | 26633 | Wire-Control (78" Long) (Cut to Required Length) | | | Note |
| | | 263046 Spring-Gov. Used on Type No(s). 0653, 0812, 1108, 1114. | | | 26099 Wire-Control (54" Long) (Cut to Required Length) | 621 | 396847 | Switch-Stop (Includes 2) |
| 209A | 262666 | Spring-Governor Used on Type No(s). 0831. | 270 | 63426 | Locknut-Casing | 670 | ★493823 | Spacer |
| | | Note | 271 | 290568 | Lever-Control | 843 | 272616 | Sleeve-Lever |
| | | 262657 Spring-Gov. Used on Type No(s). 1129. | 346 | 94602 | Screw-Hex. | 895 | 396291 | Key Switch |
| | | 262664 Spring-Gov. Used on Type No(s). 0839. | 353 | 92791 | Washer-Lock | 990 | 392832 | Key Set-Starter Switch |
| | | 262678 Spring-Gov. Used on Type No(s). 1517. | 354 | 90576 | Nut-Hex. | | | |
| | | | 447 | 93801 | Screw-Hex. | | | |
| | | | 507 | 398525 | Insulator-Terminal | | | |

★ Included in Gasket Set-Ref. No. 358.
 ● Included in Carburetor Kit-Ref. 121.

◆ Included in Carburetor Gasket Set-Ref. 977.
 ⊗ Included in Valve Overhaul Gasket Set-Ref. No. 1095.

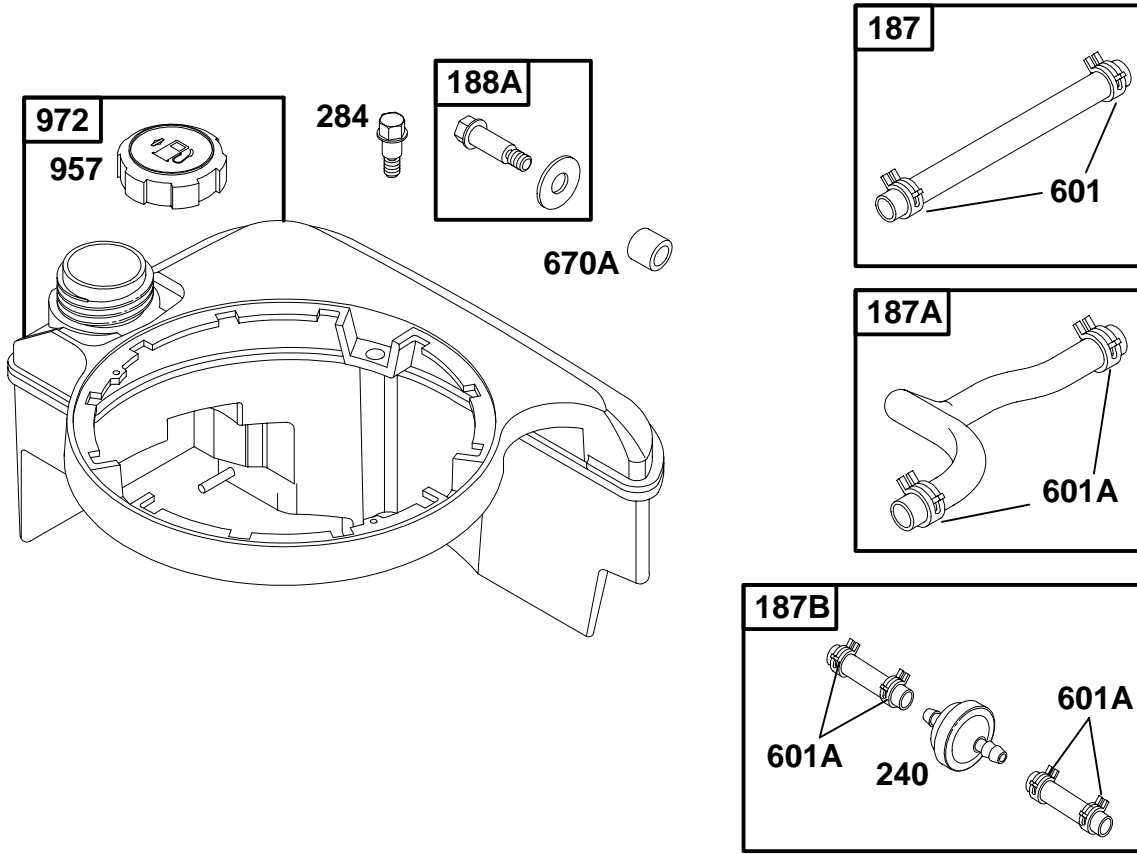


| REF. NO. | PART NO. | DESCRIPTION | REF. NO. | PART NO. | DESCRIPTION | REF. NO. | PART NO. | DESCRIPTION |
|----------|----------|--------------------|----------|----------|----------------------|----------|----------|-----------------------------------|
| 258 | 94512 | Screw-Slotted Hex. | 621 | 396847 | Switch-Stop | 930A | 281136 | Guard-Rewind |
| 333 | 802574 | Armature-Magneto | 789 | 493380 | Harness-Wire | 935 | 499421 | Switch-Interlock |
| 334 | 94731 | Screw-Hex. | 851 | 493880 | Terminal-Cable | | 398758 | Switch-Interlock |
| 356 | 398808 | Wire-Stop | 910 | 94510 | Stud-Stator Mounting | | | (Used Before Code Date 92100600). |
| 423 | 93758 | Screw-Hex. | 922 | 262640 | Spring-Brake | | | |
| 474 | 492841 | Alternator | 923 | 493442 | Brake | | | |

★ Included in Gasket Set-Ref. No. 358.
 ● Included in Carburetor Kit-Ref. 121.

◆ Included in Carburetor Gasket Set-Ref. 977.
 ○ Included in Valve Overhaul Gasket Set-Ref. No. 1095.

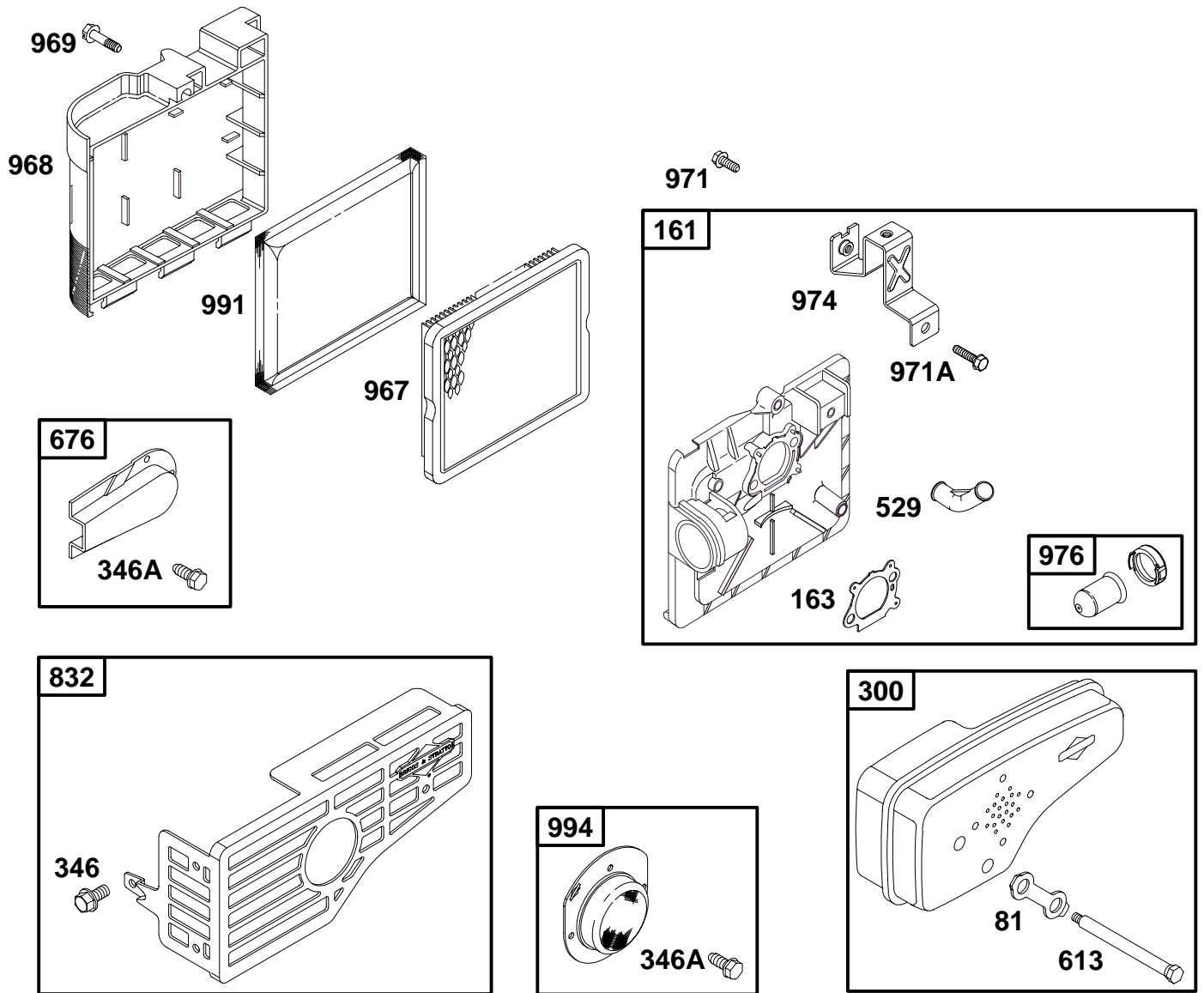
12E800 to 12E899



| REF. NO. | PART NO. | DESCRIPTION | REF. NO. | PART NO. | DESCRIPTION | REF. NO. | PART NO. | DESCRIPTION |
|----------|----------|----------------|----------|----------|----------------|----------|----------|---------------------------------|
| 187 | 492790 | Line—Fuel | 240 | 298090 | Filter—Fuel | 670A | 280512 | Spacer—Fuel Tank |
| 187A | 492791 | Line—Fuel | 284 | 94511 | Screw—Shoulder | 957 | 397974 | Cap—Fuel Tank |
| 187B | 498171 | Line—Fuel | 601 | 93807 | Clamp—Hose | 972 | 495224 | Tank—Fuel (1.6 Quart, Black) |
| 188A | 398540 | Screw—Shoulder | 601A | 93053 | Clamp—Hose | | | |

★ Included in Gasket Set—Ref. No. 358.
● Included in Carburetor Kit—Ref. 121.

◆ Included in Carburetor Gasket Set—Ref. 977.
⊘ Included in Valve Overhaul Gasket Set—Ref. No. 1095.

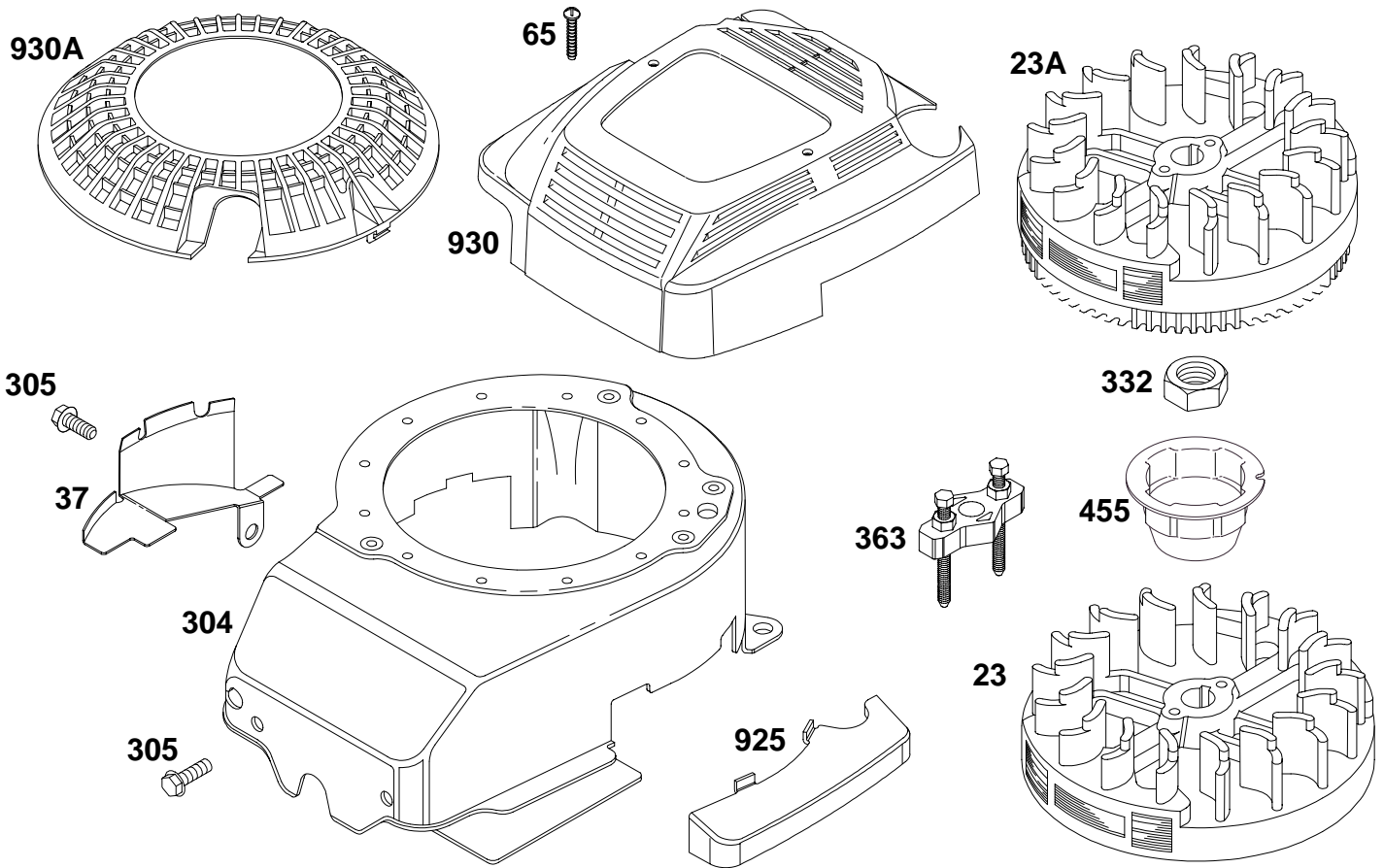


| REF. NO. | PART NO. | DESCRIPTION | REF. NO. | PART NO. | DESCRIPTION | REF. NO. | PART NO. | DESCRIPTION |
|----------|----------|--------------------|----------|----------|--------------------|----------|----------|----------------------------|
| 81 | 223664 | Lock-Muffler Screw | 613 | 94231 | Screw-Shoulder | 971A | 94749 | Screw-Hex. |
| 161 | 496116 | Base-Air Cleaner | 676 | 493871 | Deflector-Muffler | 974 | 224815 | Bracket-Support |
| 163★◆ | 272653 | Gasket-Air Cleaner | 832 | 494224 | Guard-Muffler | 976 | 496115 | Primer-Carburetor |
| 300 | 496106 | Muffler-Exhaust | 967 | 491588 | Filter-Air | 991 | 493537 | Filter-Air (Pre Filter) |
| 346 | 94602 | Screw-Hex. | 968 | 281340 | Cover-Air Cleaner | 994 | 398067 | Arrester-Spark |
| 346A | 93705 | Screw-Hex. | 969 | 94120 | Screw-Slotted Hex. | | | |
| 529 | 281299 | Grommet | 971 | 94121 | Screw-Hex. | | | |

★ Included in Gasket Set-Ref. No. 358.
 ● Included in Carburetor Kit-Ref. 121.

◆ Included in Carburetor Gasket Set-Ref. 977.
 ⊙ Included in Valve Overhaul Gasket Set-Ref. No. 1095.

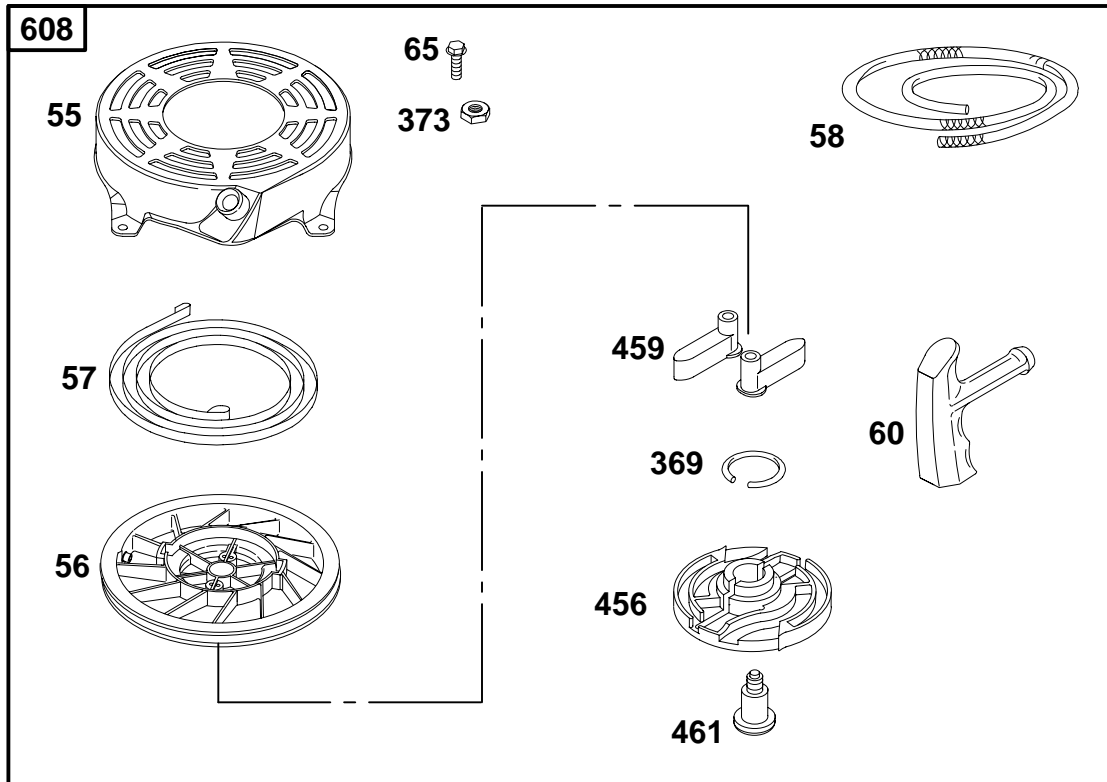
12E800 to 12E899



| REF. NO. | PART NO. | DESCRIPTION | REF. NO. | PART NO. | DESCRIPTION | REF. NO. | PART NO. | DESCRIPTION |
|-------------|----------|----------------|----------|----------|--|----------|----------|-----------------|
| 23 | 492177 | Flywheel | 304 | 493293 | Housing-Blower (Used on Engines With Band Brake) | 305 | 94744 | Screw-Hex. |
| 23A | 492175 | Flywheel | | | | 332 | 92284 | Nut-Flywheel |
| 37 | 224511 | Guard-Flywheel | | | | 363 | 19069 | Flywheel Puller |
| 65 | 94696 | Screw-Phillips | | | | 455 | 225121 | Cup-Flywheel |
| Note | | | | | | 925 | 281145 | Cover-Linkage |
| | | | | | | 930 | 497233 | Guard-Rewind |
| | | | | | | 930A | 281136 | Guard-Rewind |

★ Included in Gasket Set-Ref. No. 358.
● Included in Carburetor Kit-Ref. 121.

◆ Included in Carburetor Gasket Set-Ref. 977.
⊘ Included in Valve Overhaul Gasket Set-Ref. No. 1095.

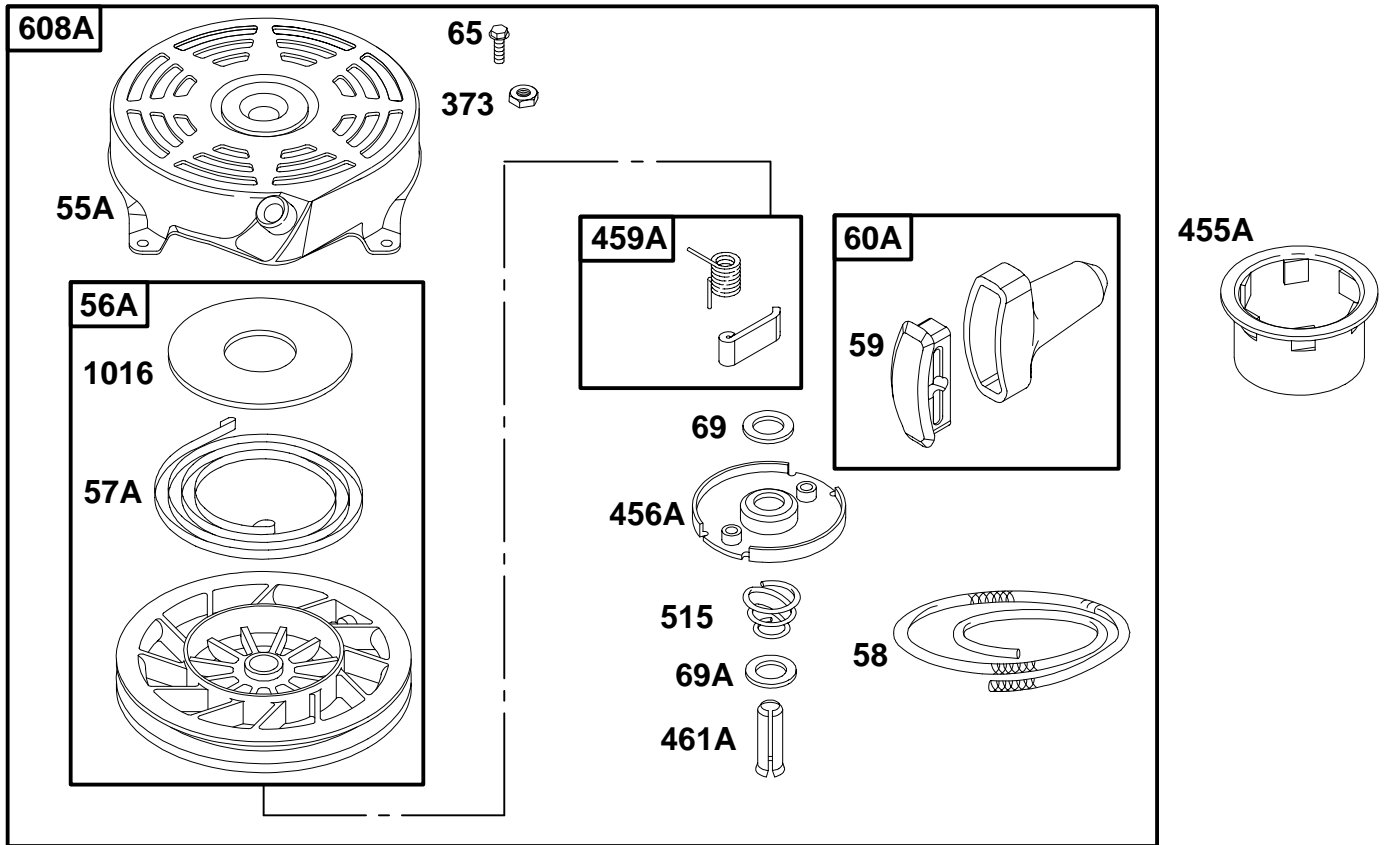


| REF. NO. | PART NO. | DESCRIPTION | REF. NO. | PART NO. | DESCRIPTION | REF. NO. | PART NO. | DESCRIPTION |
|----------|----------|------------------------|----------|----------|---------------------------------------|----------|----------|-----------------|
| 55 | 497440 | Housing-Rewind Starter | 58 | 280399 | Rope-Starter (Cut To Required Length) | 373 | 92987 | Nut-Hex. |
| 56 | 281504 | Pulley-Starter | 60 | 281434 | Grip-Starter Rope | 456 | 281503 | Retainer-Spring |
| 57 | 263074 | Spring-Rewind Starter | 65 | 94686 | Screw-Hex. | 459 | 281505 | Pawl-Ratchet |
| | | | 369 | 263073 | Spring-Friction | 461 | 94943 | Screw-Shoulder |
| | | | | | | 608 | 497680 | Starter-Rewind |

★ Included in Gasket Set-Ref. No. 358.
 ● Included in Carburetor Kit-Ref. 121.

◆ Included in Carburetor Gasket Set-Ref. 977.
 ⌀ Included in Valve Overhaul Gasket Set-Ref. No. 1095.

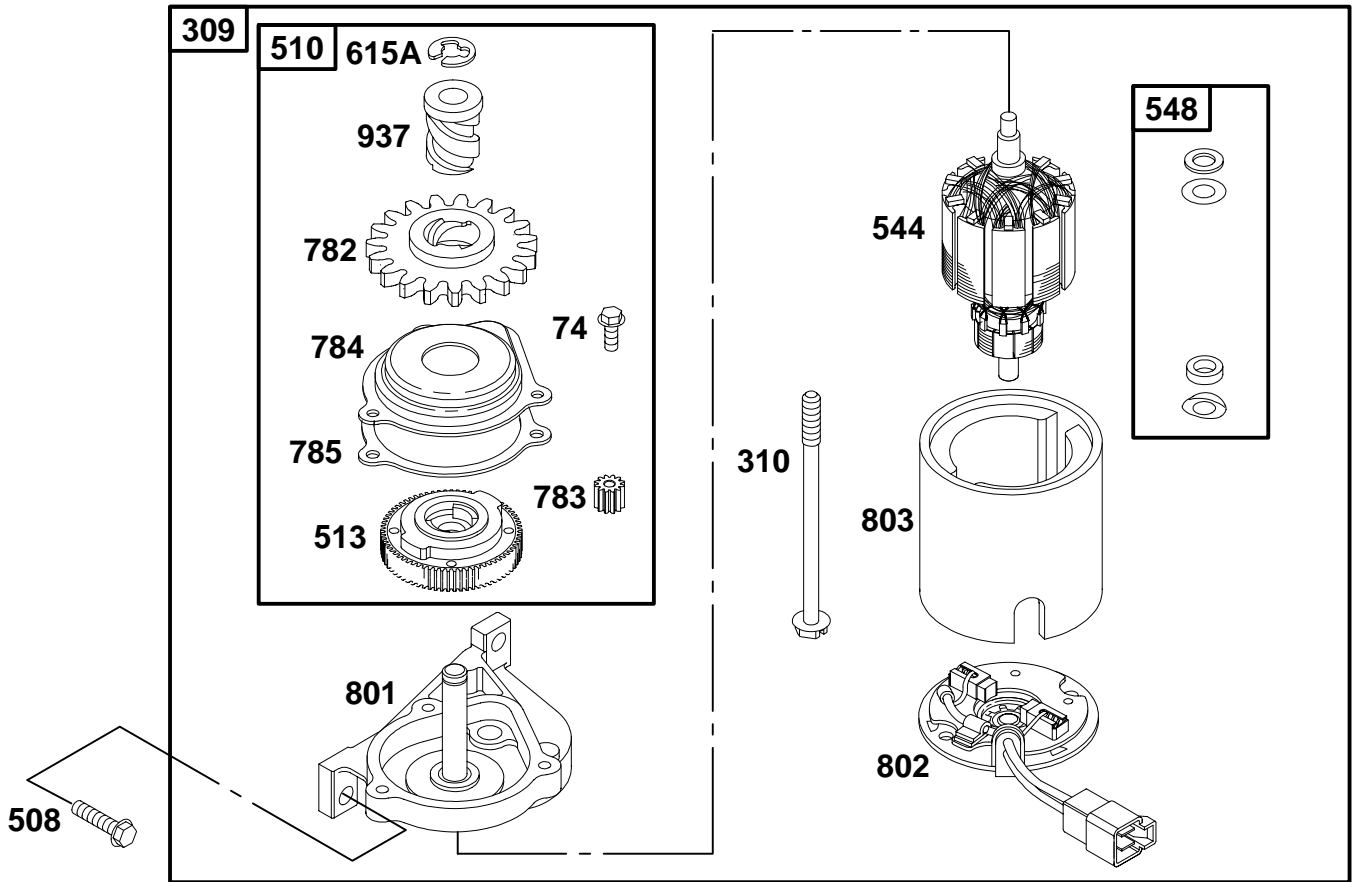
12E800 to 12E899



| REF. NO. | PART NO. | DESCRIPTION | REF. NO. | PART NO. | DESCRIPTION | REF. NO. | PART NO. | DESCRIPTION |
|----------|----------|--|----------|----------|-------------------|----------|----------|-----------------|
| 55A | 492831 | Housing–Rewind Starter | 59 | 396892 | Insert–Grip | 456A | 224321 | Retainer–Spring |
| 56A | 493824 | Pulley–Starter | 60A | 393152 | Grip–Starter Rope | 459A | 492833 | Pawl–Ratchet |
| 57A | 262594 | Spring–Rewind Starter | 65 | 94686 | Screw–Hex. | 461A | 262626 | Pin–Shaft |
| 58 | 280399 | Rope–Starter (Cut To Required Length) | 69 | 280973 | Washer | 515 | 262625 | Spring–Friction |
| | | | 69A | 224322 | Washer | 608A | 493295 | Starter–Rewind |
| | | | 373 | 92987 | Nut–Hex. | 1016 | 224278 | Spacer–Rewind |
| | | | 455A | 224250 | Cup–Flywheel | | | |

★ Included in Gasket Set–Ref. No. 358.
 ● Included in Carburetor Kit–Ref. 121.

◆ Included in Carburetor Gasket Set–Ref. 977.
 ⌀ Included in Valve Overhaul Gasket Set–Ref. No. 1095.



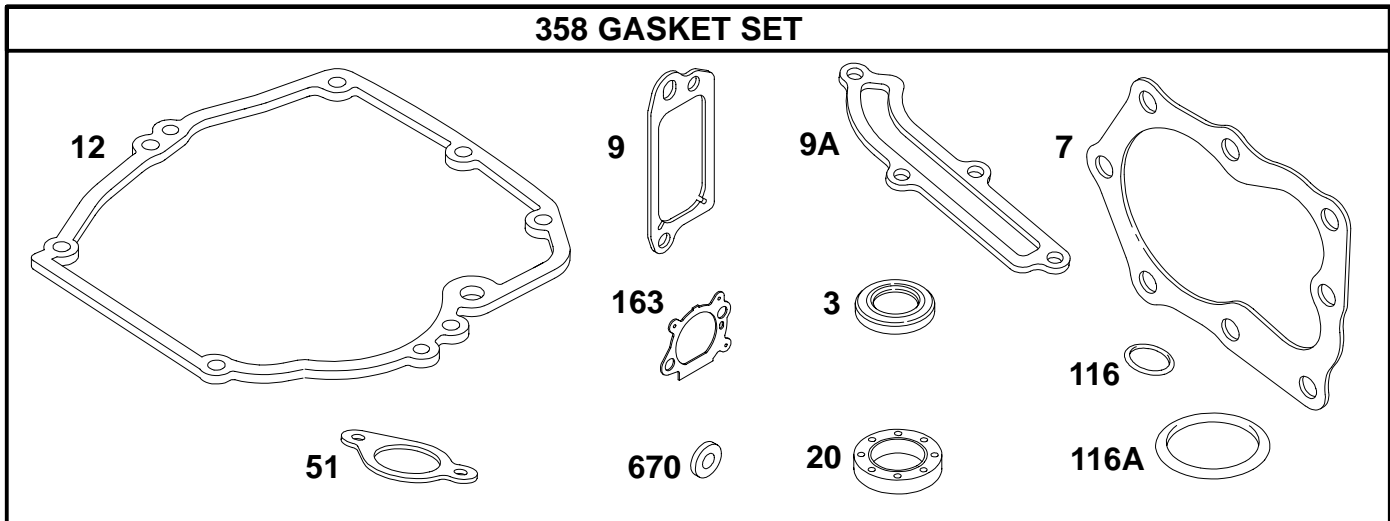
| REF. NO. | PART NO. | DESCRIPTION | REF. NO. | PART NO. | DESCRIPTION | REF. NO. | PART NO. | DESCRIPTION |
|----------|----------|--------------------|----------|----------|------------------|----------|----------|-----------------|
| 74 | 93490 | Screw-Hex. | 544 | 492921 | Armature-Starter | 785 | 272201 | Gasket-Cover |
| 309 | 494233 | Motor-Starter | 548 | 492919 | Washer Set | 801 | 492335 | Cap-Drive |
| 310 | 94051 | Screw-Slotted Hex. | 615A | 93941 | Retainer | 802 | 492922 | Cap-End |
| 508 | 94974 | Screw-Hex. | 782 | 281127 | Gear-Starter | 803 | 492920 | Housing-Starter |
| 510 | 494147 | Drive-Starter | 783 | 261606 | Gear-Starter | 937 | 281125 | Spline-Starter |
| 513 | 394815 | Clutch-Drive | 784 | 224262 | Cover-Gear | | | |

★ Included in Gasket Set-Ref. No. 358.
 ● Included in Carburetor Kit-Ref. 121.

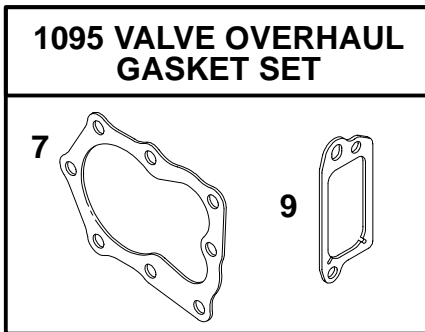
◆ Included in Carburetor Gasket Set-Ref. 977.
 ∅ Included in Valve Overhaul Gasket Set-Ref. No. 1095.

12E800 to 12E899

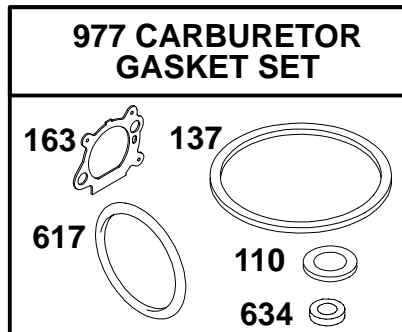
358 GASKET SET



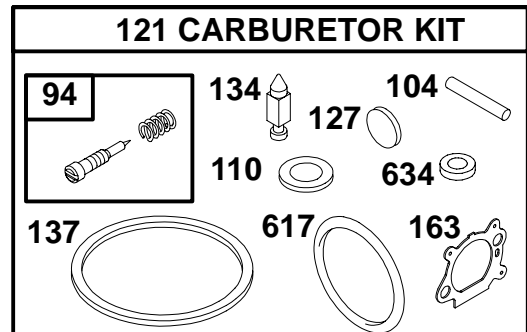
1095 VALVE OVERHAUL GASKET SET



977 CARBURETOR GASKET SET



121 CARBURETOR KIT



| REF. NO. | PART NO. | DESCRIPTION | REF. NO. | PART NO. | DESCRIPTION | REF. NO. | PART NO. | DESCRIPTION |
|----------|----------|------------------------------|----------|----------|---|----------|----------|--|
| 3 | ★299819 | Seal—Oil | 121 | 498260 | Carburetor Kit | 634 | ◆◆ | Washer (Sold in Kit Only) |
| 7 | ★∅272916 | Gasket—Cylinder Head | | | Note | 670 | ★493823 | Spacer (Includes 2) |
| 9 | ★∅272481 | Gasket—Breather | | | 493762 Carburetor Kit (Used Before Code Date 95110300). | 977 | 498261 | Gasket Set— Carburetor |
| 9A | ★272238 | Gasket—Baffle Plate | 127 | ● | Plug—Welch (Sold in Kit Only) | | | Note |
| 12 | ★272198 | Gasket—Crankcase | 134 | ●398188 | Valve—Needle (Includes Seat) | | | 490937 Gasket Set— Carburetor (Used Before Code Date 95110300). |
| 20 | ★399781 | Seal—Oil | 137 | ◆◆ | Gasket—Float Bowl (Sold in Kit Only) | 1095 | 498528 | Gasket Set—Valve Overhaul |
| 51 | ★272199 | Gasket—Intake | 163 | ◆◆272653 | Gasket—Air Cleaner | | | |
| 94 | ●493765 | Valve—Idle Adjustment | 358 | 497316 | Gasket Set | | | |
| 104 | ●231371 | Pin—Float Hinge | 617 | ◆◆270344 | Seal—Intake Manifold | | | |
| 110 | ◆◆ | Washer (Sold in Kit Only) | | | | | | |
| 116 | ★280393 | Seal—Cap | | | | | | |
| 116A | ★280966 | Seal—O—Ring | | | | | | |

★ Included in Gasket Set—Ref. No. 358.
● Included in Carburetor Kit—Ref. 121.

◆ Included in Carburetor Gasket Set—Ref. 977.
∅ Included in Valve Overhaul Gasket Set—Ref. No. 1095.