



# Illustrated Parts List

## Model Series

# 12F600

TYPE NUMBERS  
0115.

### TABLE OF CONTENTS

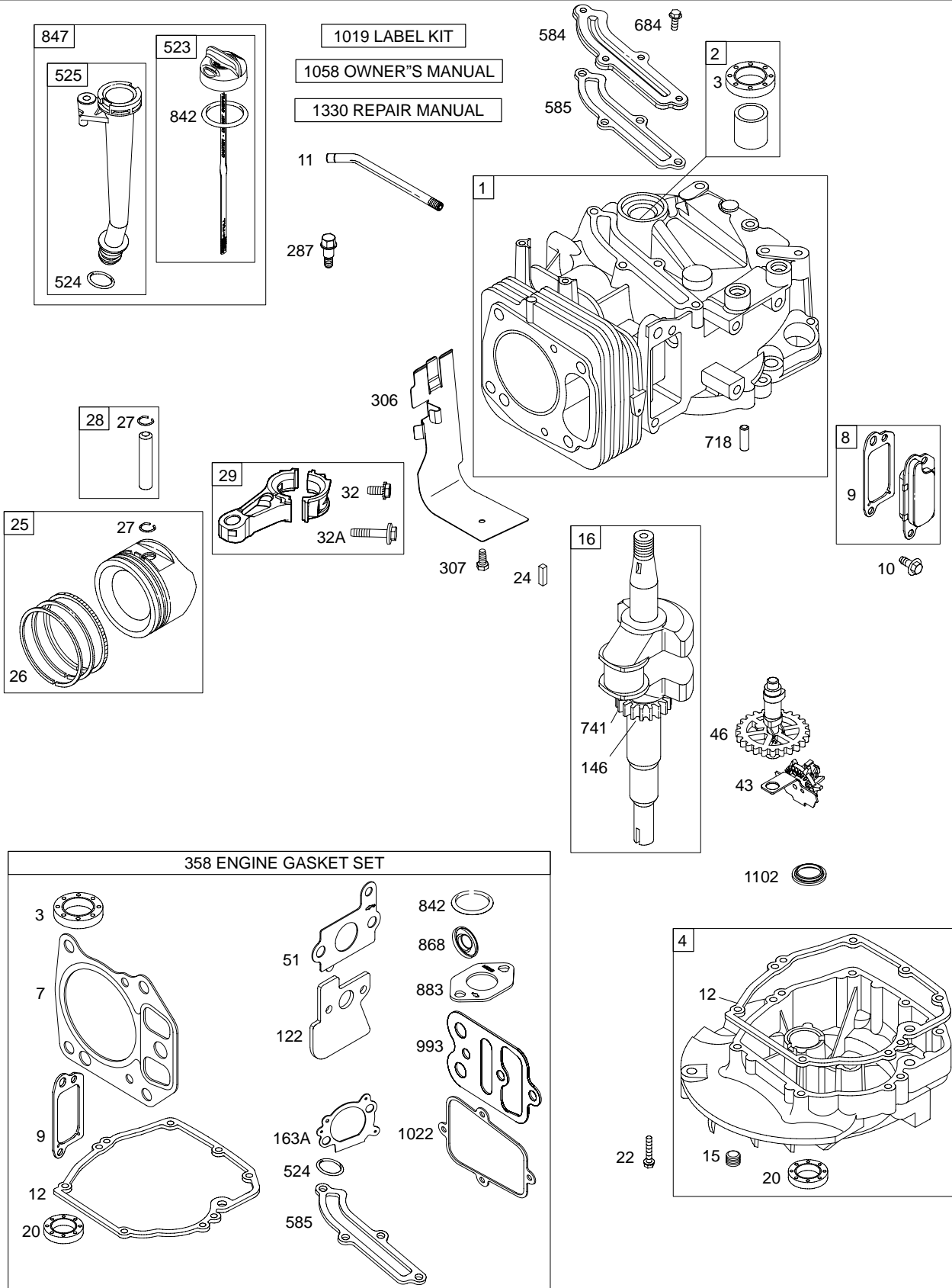
Air Cleaner .....	5
Blower Housing/Shrouds .....	6
Camshaft .....	2
Carburetor .....	4
Controls .....	5
Crankshaft .....	2
Cylinder .....	2
Cylinder Head .....	3
Engine Sump .....	2
Exhaust System .....	5
Flywheel .....	6
Fuel Supply .....	4
Governor Spring .....	5
Ignition .....	5
Lubrication .....	2
Piston Group .....	2
Rewind Starter .....	6

PRINTED IN U.S.A.

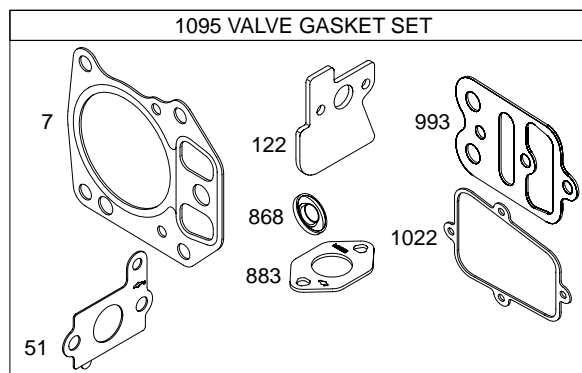
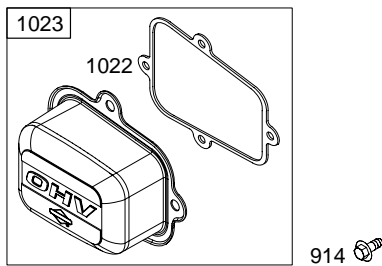
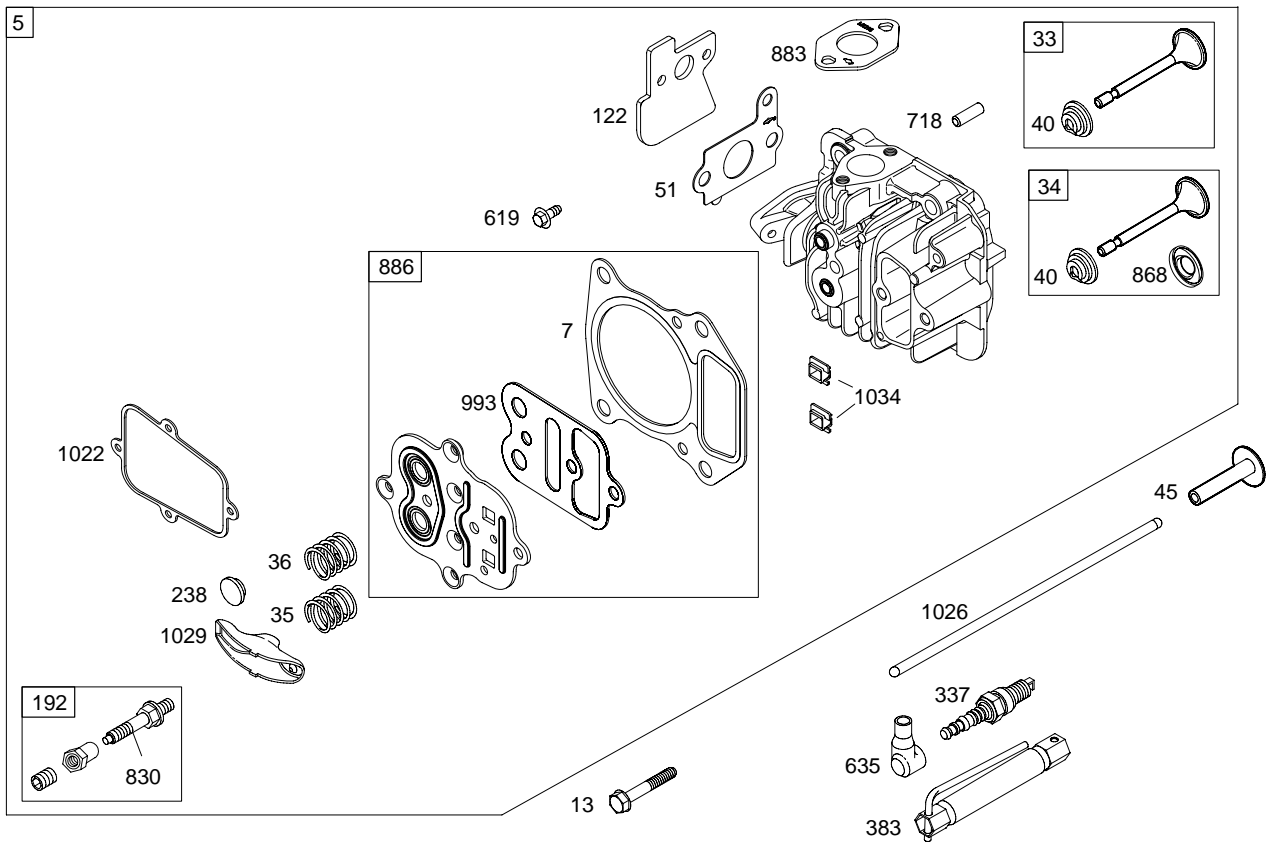


COPYRIGHT by BRIGGS & STRATTON CORPORATION  
All rights reserved. No part of this material may be reproduced or transmitted, in any form or by any means, electronic or mechanical, including photocopying, recording or by any information storage and retrieval system, without permission in writing from Briggs & Stratton Corporation.

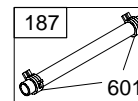
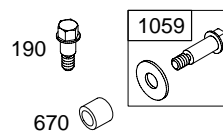
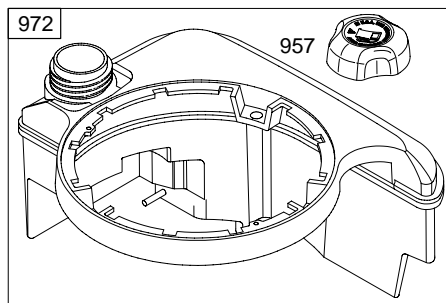
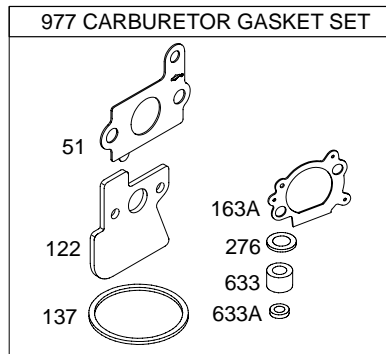
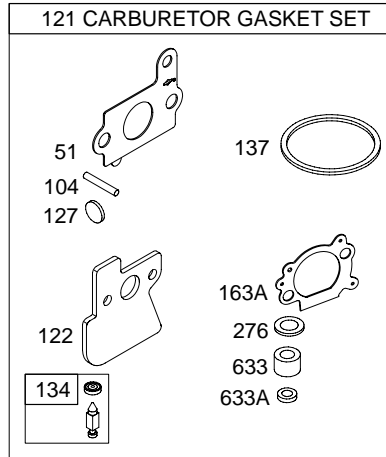
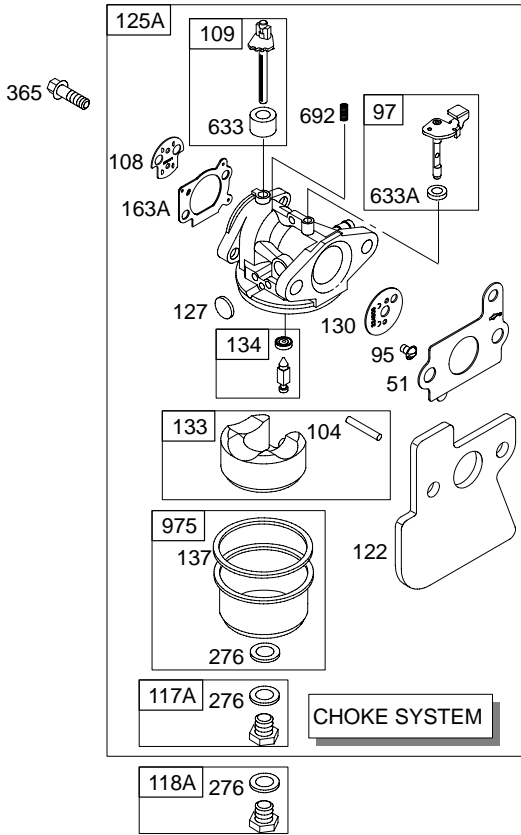
# 12F600



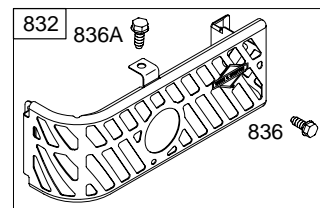
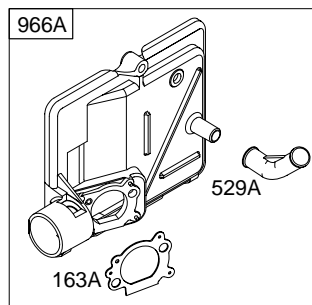
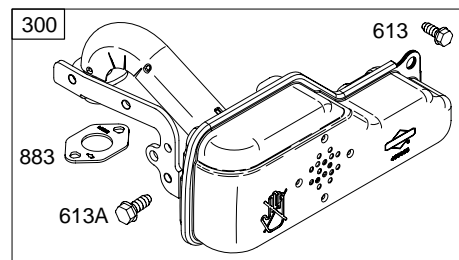
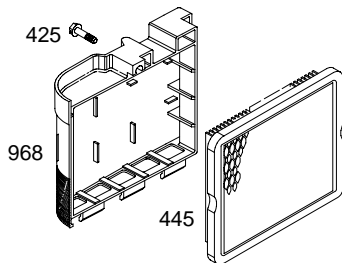
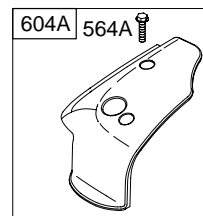
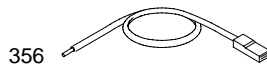
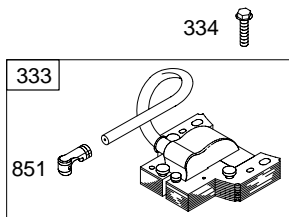
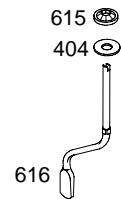
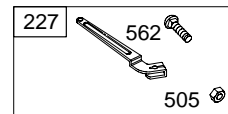
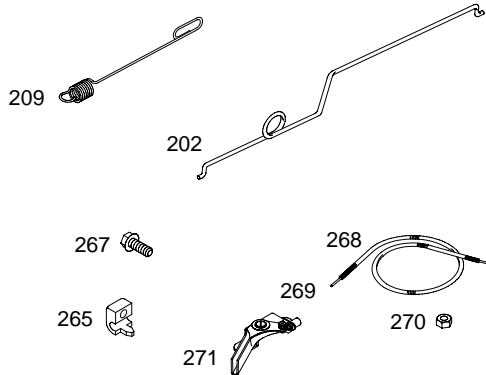
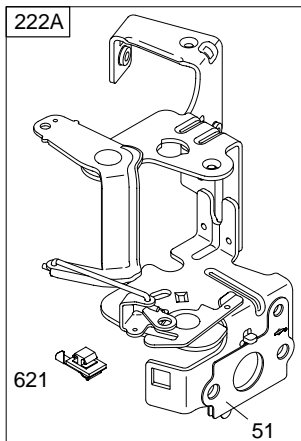
Illustrations cover a range of engines. Parts shown without corresponding text may not be used on your specific engine.  
 5483-2 Assemblies include all parts shown in frames. 10/08/2004



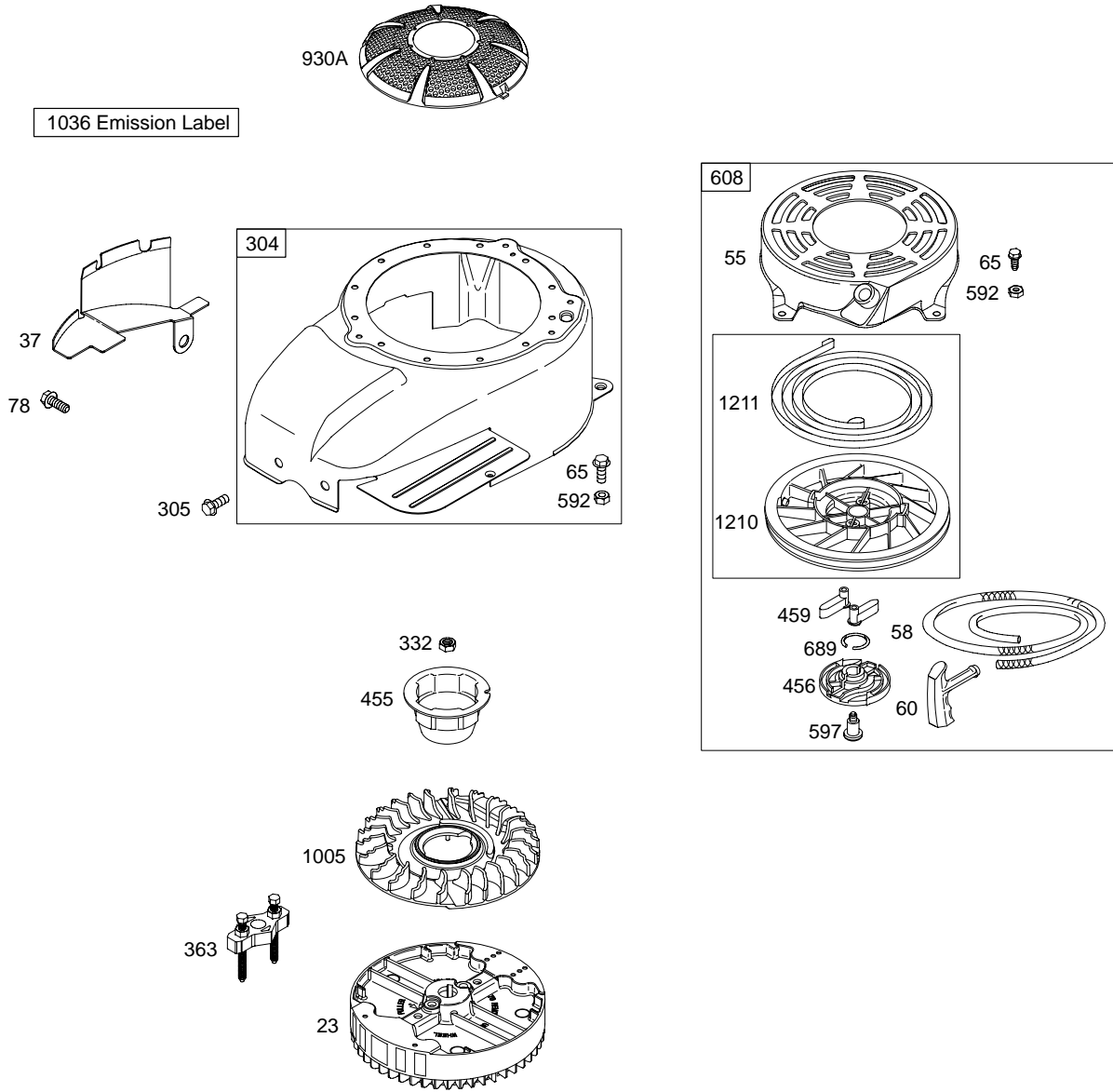
Illustrations cover a range of engines. Parts shown without corresponding text may not be used on your specific engine.  
 5483-3 Assemblies include all parts shown in frames. 10/08/2004



*Illustrations cover a range of engines. Parts shown without corresponding text may not be used on your specific engine.*



# 12F600



Illustrations cover a range of engines. Parts shown without corresponding text may not be used on your specific engine.  
5483-6 Assemblies include all parts shown in frames. 10/08/2004

REF. NO.	PART NO.	DESCRIPTION	REF. NO.	PART NO.	DESCRIPTION	REF. NO.	PART NO.	DESCRIPTION	
1	697893	Cylinder Assembly	26	790360	Ring Set (Standard) (Used After Code Date 04040400).	97	499682	Shaft-Throttle	
2	399269	Kit-Bushing/Seal (Magneto Side)				104	●691242	Pin-Float Hinge	
3	★299819	Seal-Oil (Magneto Side)			————— <b>Note</b> —————	108	691182	Valve-Choke	
4	498983	Sump-Engine			499631	Ring Set (Standard) (Used Before Code Date 04040500).	109	693866	Shaft-Choke
5	695276	Head-Cylinder				117A	692677	Jet-Main (Standard)	
7	★Δ695166	Gasket-Cylinder Head				118A	497315	Jet-Main (High Altitude)	
8	495786	Breather Assembly				121	692703	Kit-Carburetor Overhaul	
9	★272481	Gasket-Breather				122★♦♦Δ692799	Spacer-Carburetor		
10	691125	Screw (Breather Assembly)				125A	694505	Carburetor	
11	499675	Tube-Breather				127	●694468	Plug-Welch	
12	★692232	Gasket-Crankcase				130	691203	Valve-Throttle	
13	691137	Screw (Cylinder Head)	27	691866	Lock-Piston Pin	133	398187	Float-Carburetor	
15	691680	Plug-Oil Drain (Square Socket)	28	499423	Pin-Piston	134	●398188	Kit-Needle/Seat	
16	691457	Crankshaft	29	499424	Rod-Connecting	137	●♦693981	Gasket-Float Bowl	
20	★399781	Seal-Oil (PTO Side)	32	691664	Screw (Connecting Rod)	146	690979	Key-Timing	
22	691092	Screw (Crankcase Cover/Sump)	32A	695759	Screw (Connecting Rod)	163A★♦♦692667	Gasket-Air Cleaner		
23	697586	Flywheel	33	499642	Valve-Exhaust	187	691050	Line-Fuel (Cut to Required Length)	
24	222698	Key-Flywheel	34	499641	Valve-Intake	188	691147	Screw (Control Bracket)	
25	790359	Piston Assembly (Standard) (Used After Code Date 04040400).	35	691304	Spring-Valve (Intake)	190	690940	Screw (Fuel Tank)	
		————— <b>Note</b> —————	36	691304	Spring-Valve (Exhaust)	192	694543	Adjuster-Rocker Arm	
		690021	37	694086	Guard-Flywheel	202	691303	Link-Mechanical Governor	
		Assembly (Standard) (Used Before Code Date 04040500).	40	692194	Retainer-Valve	209	691290	Spring-Governor	
		694167	43	691486	Slinger-Governor/Oil	222A	693378	Bracket-Control	
		Assembly (.010" Oversize)	45	690977	Tappet-Valve	227	691467	Lever-Governor Control	
		694168	46	694039	Camshaft	238	691300	Cap-Valve	
		Assembly (.020" Oversize)	51★♦♦Δ692799	55	691421	Housing-Rewind Starter	265	690798	Clamp-Casing
		694169	58	697316	Rope-Starter (Cut To Required Length)	267	691044	Screw (Casing Clamp)	
		Assembly (.030" Oversize)	60	281434	Grip-Starter Rope	268	691025	Casing-Control Wire (Cut To Required Length)	
			65	690837	Screw (Rewind Starter)	269	691026	Wire-Control (Cut To Required Length)	
			78	691108	Screw (Flywheel Guard)	270	691027	Nut (Control Wire Casing)	
			95	691636	Screw (Throttle Valve)				

★ Included in Engine Gasket Set-Ref. No.358.

● Included in Carburetor Overhaul Kit-Ref. No. 121.

♦ Included in Carburetor Gasket Set-Ref. No. 977.

Δ Included in Valve Gasket Set-Ref. No 1095.

*Illustrations cover a range of engines. Parts shown without corresponding text may not be used on your specific engine.*

# 12F600

REF. NO.	PART NO.	DESCRIPTION	REF. NO.	PART NO.	DESCRIPTION	REF. NO.	PART NO.	DESCRIPTION
271	691028	Lever—Control	584	697734	Cover—Breather Passage	847	692047	Dipstick/Tube Assembly
276	♦♦271716	Washer—Sealing	585	★691879	Gasket—Breather Passage	851	493880	Terminal—Spark Plug
287	690940	Screw (Dipstick Tube)	592	690800	Nut (Rewind Starter)	868	★△692044	Seal—Valve
300	697590	Muffler—Exhaust	597	691696	Screw (Pawl Friction Plate)	883	★△691893	Gasket—Exhaust
304	499676	Housing—Blower	601	95162	Clamp—Hose	886	696268	Gasket Set—Cylinder Head/Plate
305	691108	Screw (Blower Housing)	604A	693807	Cover—Control	914	691108	Screw (Rocker Cover)
306	691232	Shield—Cylinder	608	497680	Starter—Rewind	930A	692675	Guard—Rewind
307	690345	Screw (Cylinder Shield)	613	691108	Screw (Muffler)	957	692046	Cap—Fuel Tank (Plastic)
332	690662	Nut (Flywheel)	613A	691140	Screw (Muffler)	966A	693863	Base—Air Cleaner Primer (Choke System)
333	802574	Armature—Magneto	615	690340	Retainer—Governor Shaft	968	692298	Cover—Air Cleaner
334	691061	Screw (Magneto Armature)	616	698801	Crank—Governor	972	693377	Tank—Fuel (Plastic)
337	692051	Plug—Spark	619	691108	Screw (Cylinder Head Plate)	975	493640	Bowl—Float
356	692390	Wire—Stop	621	692310	Switch—Stop	977	692704	Gasket Set—Carburetor
358	694090	Gasket Set—Engine	633	♦♦693867	Seal—Choke/Throttle Shaft (Choke Shaft)	993	★△694088	Gasket—Cylinder Head Plate
363	19069	Puller—Flywheel	633A	♦♦691321	Seal—Choke/Throttle Shaft (Throttle Shaft)	1005	691346	Fan—Flywheel
365	691136	Screw (Carburetor)	635	66538	Boot—Spark Plug	1019	695247	Kit—Label
383	19374	Wrench—Spark Plug	670	692294	Spacer—Fuel Tank	1022	★△691890	Gasket—Rocker Cover
404	690272	Washer (Governor Crank)	684	690345	Screw (Breather Passage Cover)	1023	499624	Cover—Rocker Arm
425	690670	Screw (Air Cleaner Cover)	689	691855	Spring—Friction	1026	692045	Rod—Push
443	691637	Screw (Air Cleaner Primer Base)	692	690572	Spring—Detent	1029	691230	Arm—Rocker
443A	692523	Screw (Air Cleaner Primer Base)	718	690959	Pin—Locating	1034	691343	Guide—Push Rod
445	491588	Filter—Air Cleaner Cartridge	741	790345	Gear—Timing (Use Without Woodruff Key)	1036	790635	Label—Emission (Used After Code Date 04063000).
455	695161	Cup—Flywheel	————— <b>Note</b> —————			————— <b>Note</b> —————		
456	692299	Plate—Pawl Friction	691830	Gear—Timing (Uses Woodruff Key)	696767	Label—Emission (Used Before Code Date 04070100).		
459	281505	Ratchet—Pawl	830	694544	Stud—Rocker Arm	1058	274979	Manual—Owner's
472	693809	Knob—Choke Bracket	832	691466	Guard—Muffler	1059	692311	Kit—Screw/Washer
505	691251	Nut (Governor Control Lever)	836	691147	Screw (Muffler Guard)	1095	694091	Gasket Set—Valve
523	499621	Dipstick	836A	697551	Screw (Muffler Guard)	1102	691255	Pilot—Guide
524	★692296	Seal—Dipstick Tube	842	★691031	Seal—O Ring (Dipstick Tube)	1210	498144	Pulley/Spring Assembly (Pulley)
525	495265	Tube—Dipstick				1211	498144	Pulley/Spring Assembly (Spring)
529A	691923	Grommet				1330	272147	Manual—Repair
562	691119	Bolt (Governor—Control Lever)						
564A	693808	Screw (Control Cover)						

★ Included in Engine Gasket Set—Ref. No.358.

● Included in Carburetor Overhaul Kit—Ref. No. 121.

♦ Included in Carburetor Gasket Set—Ref. No. 977.

△ Included in Valve Gasket Set—Ref. No. 1095.

*Illustrations cover a range of engines. Parts shown without corresponding text may not be used on your specific engine.*