



12J700

Illustrated Parts List

Model Series

12J700

TYPE NUMBERS
0615 through 1761.

TABLE OF CONTENTS

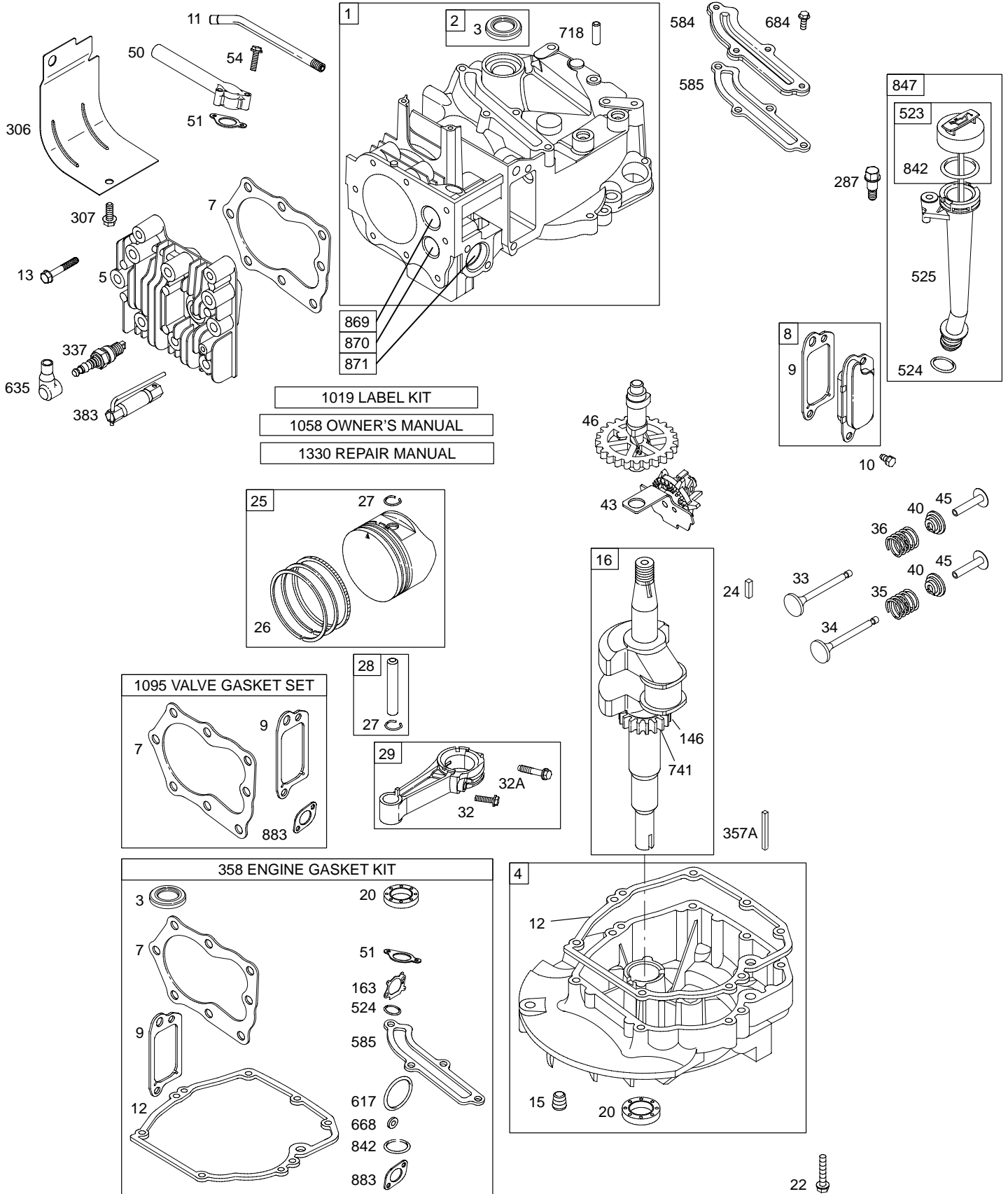
- Alternator 7
- Air Cleaner 4
- Blower Housing/Shrouds 6
- Camshaft 2
- Carburetor 3
- Controls 5
- Crankshaft 2
- Cylinder 2
- Electric Starter 7
- Electrical 7
- Engine Sump 2
- Exhaust System 4
- Flywheel 6
- Flywheel Brake 7
- Fuel Supply 5
- Governor Spring 5
- Ignition 7
- Kits/Gaskets 2 & 3
- Lubrication 2
- Piston Group 2
- Rewind Starter 6
- Valves 2



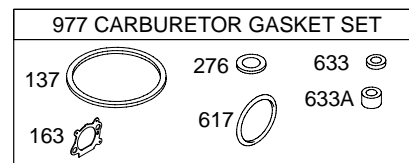
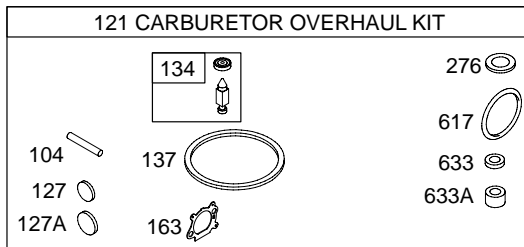
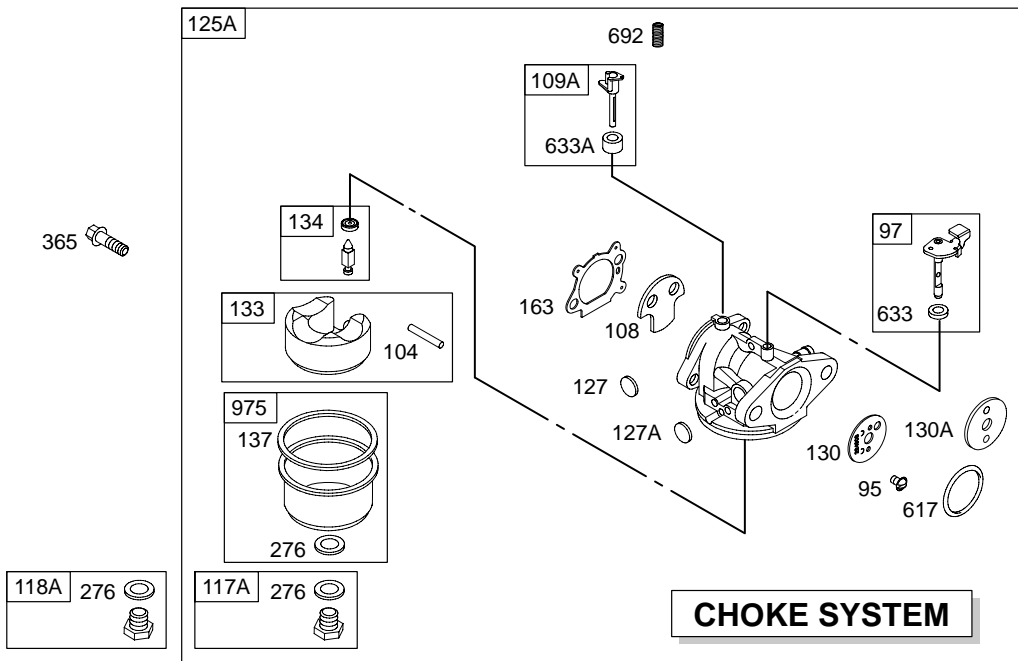
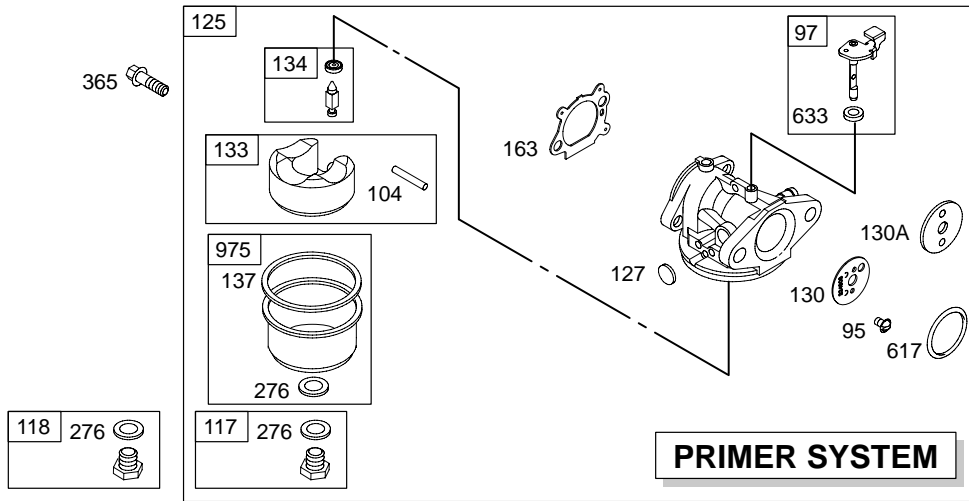
PRINTED IN U.S.A.

COPYRIGHT by BRIGGS & STRATTON CORPORATION
All rights reserved. No part of this material may be reproduced or transmitted, in any form or by any means, electronic or mechanical, including photocopying, recording or by any information storage and retrieval system, without permission in writing from Briggs & Stratton Corporation.

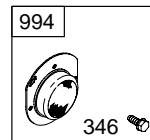
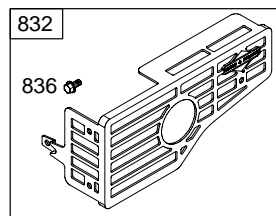
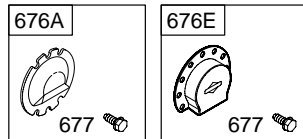
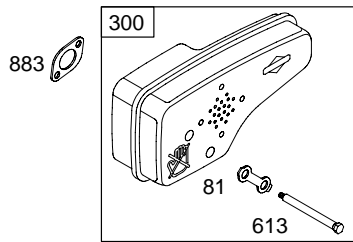
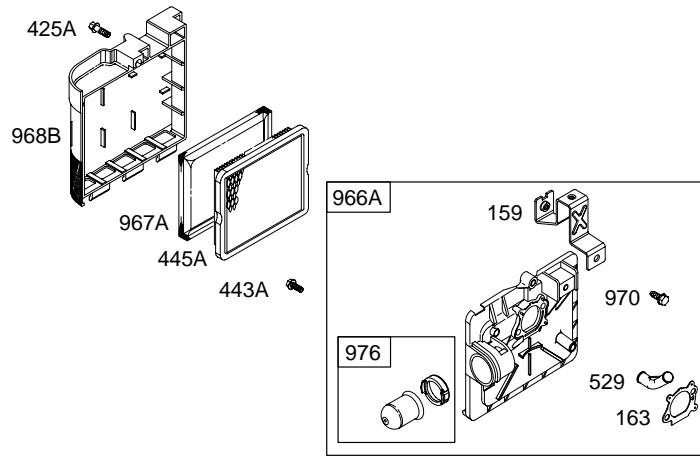
12J700

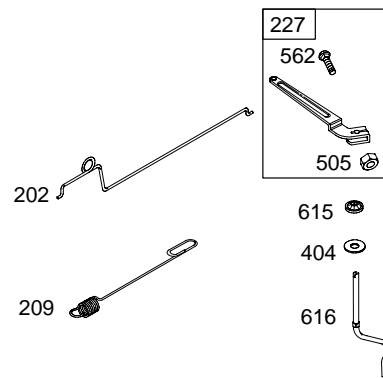
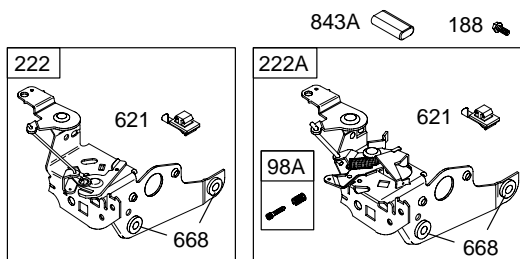
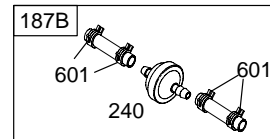
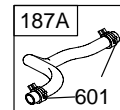
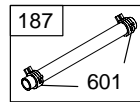
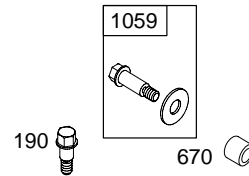
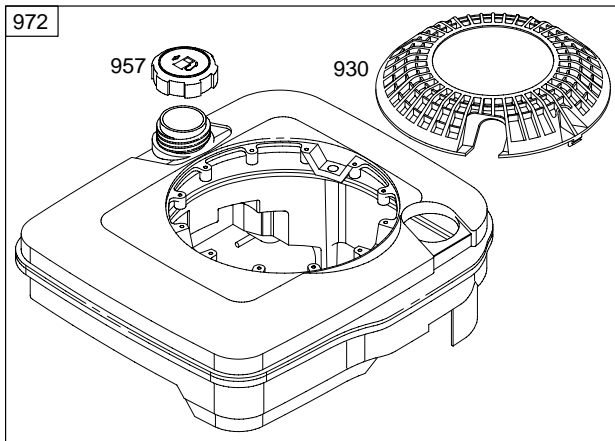


Illustrations cover a range of engines. Parts shown without corresponding text may not be used on your specific engine.
 1115-2 Assemblies include all parts shown in frames. 09/28/2004

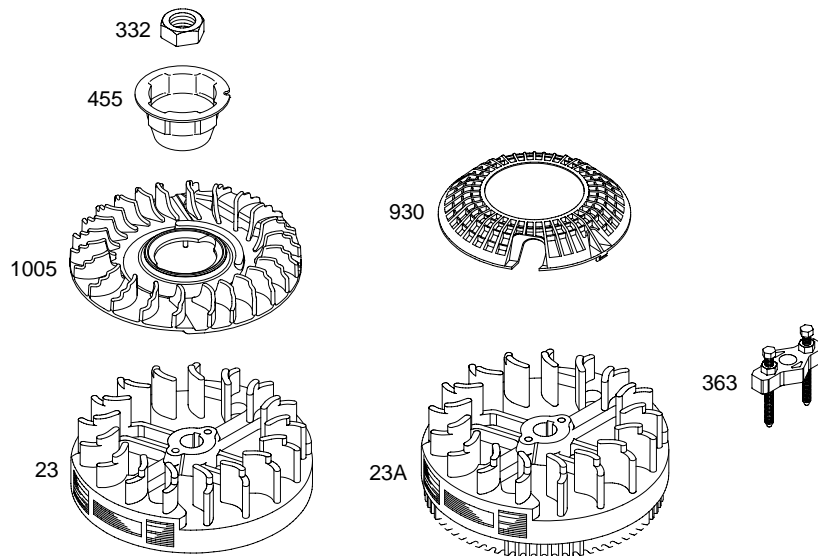
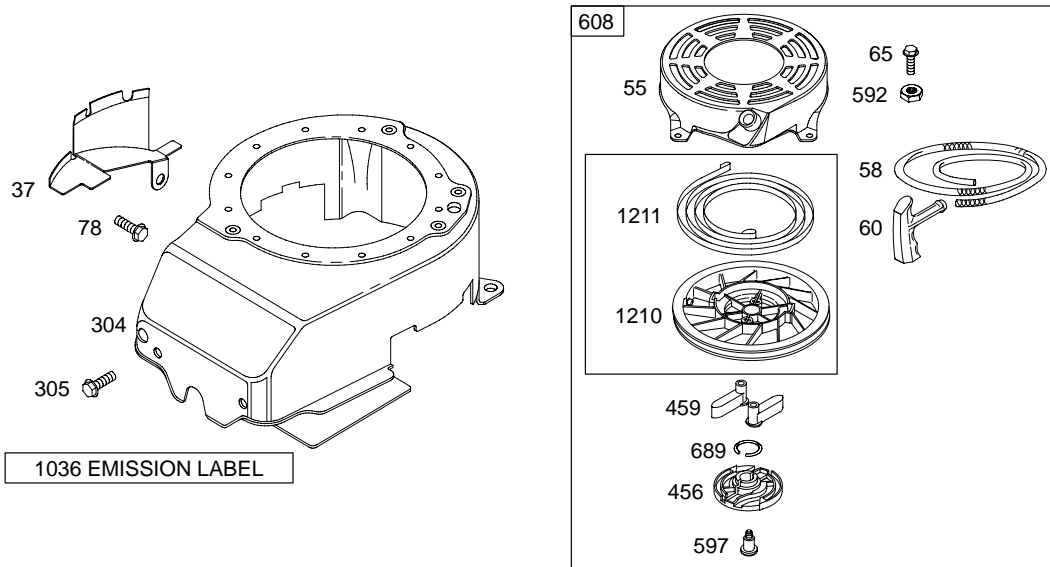


Illustrations cover a range of engines. Parts shown without corresponding text may not be used on your specific engine.
 1115-3 Assemblies include all parts shown in frames. 09/28/2004

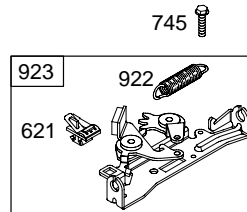
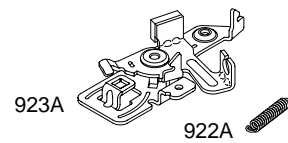
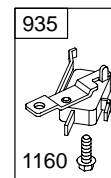
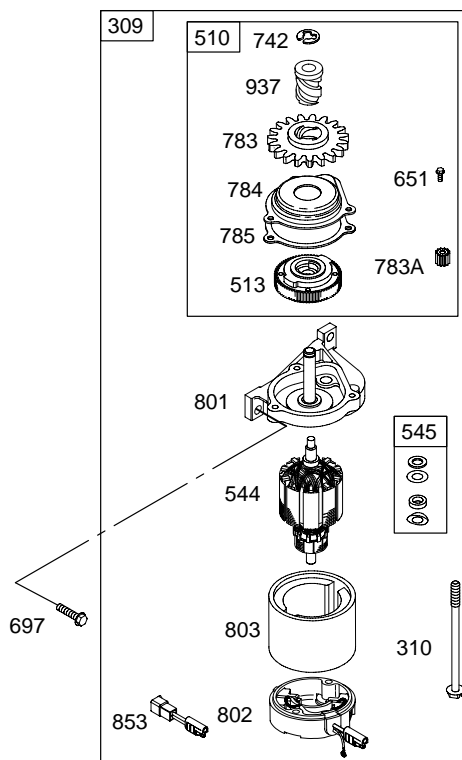
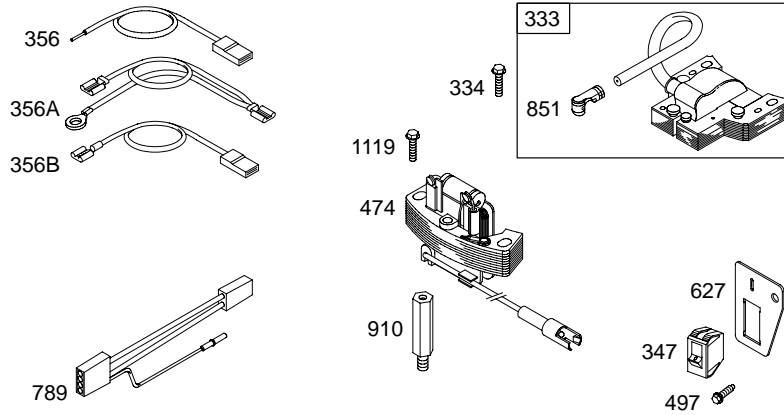




12J700



Illustrations cover a range of engines. Parts shown without corresponding text may not be used on your specific engine.
1115-6 Assemblies include all parts shown in frames. 09/28/2004



Illustrations cover a range of engines. Parts shown without corresponding text may not be used on your specific engine.
 1115-7 Assemblies include all parts shown in frames. 09/28/2004

12J700

REF. NO.	PART NO.	DESCRIPTION	REF. NO.	PART NO.	DESCRIPTION	REF. NO.	PART NO.	DESCRIPTION
1	697324	Cylinder Assembly	25	790358	Piston Assembly (Standard) (Used After Code Date 04031400).	26	790360	Ring Set (Standard) (Used After Code Date 04031400).
2	399269	Kit-Bushing/Seal (Magneto Side)			Note			Note
3	*299819	Seal-Oil (Magneto Side)			499433 Piston Assembly (Standard) (Used After Code Date 97011200 and Before Code Date 04031500).			499425 Ring Set (Standard) (Used After Code Date 97011200 and Before Code Date 04031500).
4	493279	Sump-Engine			494058 Piston Assembly (Standard) (Used Before Code Date 97011300).			493261 Ring Set (Standard) (Used Before Code Date 97011300).
5	691160	Head-Cylinder						
7	*Ø692294	Gasket-Cylinder Head						
8	695250	Breather Assembly						
9	*Ø272481	Gasket-Breather						
10	94650	Screw (Breather Assembly)						
11	691781	Tube-Breather						
12	*692232	Gasket-Crankcase						
13	690912	Screw (Cylinder Head)						499426 Ring Set (.010 Oversize) (Used After Code Date 97011200).
15	691680	Plug-Oil Drain						493388 Ring Set (.010 Oversize) (Used Before Code Date 97011300).
16	691451	Crankshaft (Used After Code Date 97011200).			499434 Piston Assembly (.010 Oversize) (Used After Code Date 97011200).			499427 Ring Set (.020 Oversize) (Used After Code Date 97011200).
		Note			494059 Piston Assembly (.010 Oversize) (Used Before Code Date 97011300).			493389 Ring Set (.020 Oversize) (Used Before Code Date 97011300).
		694442 Crankshaft (Used Before Code Date 97011300).						
		691452 Crankshaft (Used After Code Date 97011200).			499435 Piston Assembly (.020 Oversize) (Used After Code Date 97011200).			499428 Ring Set (.030 Oversize) (Used After Code Date 97011200).
		Used on Type No(s). 1753, 1754.			494060 Piston Assembly (.020 Oversize) (Used Before Code Date 97011300).			493390 Ring Set (.030 Oversize) (Used Before Code Date 97011300).
		694059 Crankshaft (Used Before Code Date 97011300).						
		Used on Type No(s). 1753, 1754.						
		691455 Crankshaft (Used on Type No(s). 0639, 1739).						
20	*399781	Seal-Oil (PTO Side)						
22	691092	Screw (Crankcase Cover/Sump)			499436 Piston Assembly (.030 Oversize) (Used After Code Date 97011200).	27	691866	Lock-Piston Pin (Used After Code Date 97011200).
23	692315	Flywheel (Rewind Start)			494061 Piston Assembly (.030 Oversize) (Used Before Code Date 97011300).			Note
23A	691992	Flywheel (Electric Start)						691588 Lock-Piston Pin (Used Before Code Date 97011300).
24	222698	Key-Flywheel						

* Included in Engine Gasket Set-Ref. No.358.

● Included in Carburetor Overhaul Kit-Ref. No. 121.

◆ Included in Carburetor Gasket Set-Ref. No. 977.

Ø Included in Valve Gasket Set-Ref. No 1095.

Illustrations cover a range of engines. Parts shown without corresponding text may not be used on your specific engine.

REF. NO.	PART NO.	DESCRIPTION	REF. NO.	PART NO.	DESCRIPTION	REF. NO.	PART NO.	DESCRIPTION
28	499423	Pin-Piston (Standard) (Used After Code Date 97011200). Note 298909 Pin-Piston (Standard) (Used Before Code Date 97011300). 298908 Pin-Piston (.005 Oversize) (Used Before Code Date 97011300).	36	691270	Spring-Valve (Exhaust)	108	691182	Valve-Choke
			37	694086	Guard-Flywheel	109A	498593	Shaft-Choke
			40	692194	Retainer-Valve	117	494870	Jet-Main (Standard) (Used After Code Date 02092900). Note
			43	691997	Slinger-Governor/Oil			498975 Jet-Main (Standard) (Used After Code Date 96060200 and Before Code Date 02093000).
			45	690548	Tappet-Valve			494870 Jet-Main (Standard) (Used Before Code Date 96060300).
			46	691449	Camshaft (Used After Code Date 96060200). Note 492830 Camshaft (Used Before Code Date 96060300).	117A	494870	Jet-Main (Standard)
29	499424	Rod-Connecting (Standard) (Used After Code Date 97011200). Note 490566 Rod-Connecting (Standard) (Used Before Code Date 97011300). 490743 Rod-Connecting (.020 Undersize) (Used Before Code Date 97011300).	50	497465	Manifold-Intake	118	497315	Jet-Main (High Altitude) (Used After Code Date 02092900). Note
			51	★272199	Gasket-Intake			497348 Jet-Main (High Altitude) (Used After Code Date 96060200 and Before Code Date 02093000).
			54	691650	Screw (Intake Manifold)			497315 Jet-Main (High Altitude) (Used Before Code Date 96060300).
			55	691421	Housing-Rewind Starter	118A	497315	Jet-Main (High Altitude)
			58	280399	Rope-Starter (Cut To Required- Length)	121	498260	Kit-Carburetor Overhaul
			60	281434	Grip-Starter Rope			
			65	690837	Screw (Rewind Starter)			
			78	691108	Screw (Flywheel Guard)			
32	691664	Screw (Connecting Rod)	81	691740	Lock-Muffler Screw			
32A	695759	Screw (Connecting Rod) (Used After Code Date 00042200).	95	691636	Screw (Throttle Valve)			
			97	493267	Shaft-Throttle (Metal) Note 696565 Shaft-Throttle (Plastic)			
33	262651	Valve-Exhaust	98A	493280	Kit-Idle Speed			
34	262652	Valve-Intake	104	●691242	Pin-Float Hinge			
35	691270	Spring-Valve (Intake)						

★ Included in Engine Gasket Set-Ref. No.358.

● Included in Carburetor Overhaul Kit-Ref. No. 121.

◆ Included in Carburetor Gasket Set-Ref. No. 977.

∅ Included in Valve Gasket Set-Ref. No 1095.

Illustrations cover a range of engines. Parts shown without corresponding text may not be used on your specific engine.

12J700

REF. NO.	PART NO.	DESCRIPTION	REF. NO.	PART NO.	DESCRIPTION	REF. NO.	PART NO.	DESCRIPTION
125	698444	Carburetor (Primer System) (Used After Code Date 96060200). Note 498170 Carburetor (Primer System) (Used Before Code Date 96060300).	209	691291	Spring-Governor Note 691292 Spring-Governor Used on Type No(s). 1748, 1761. 691864 Spring-Governor Used on Type No(s). 0639. 790944 Spring-Governor Used on Type No(s). 1739.	304	493294	Housing-Blower Note 493293 Housing-Blower Used on Type No(s). 0657, 1748, 1757, 1761. 695892 Housing-Blower Used on Type No(s). 1759.
125A	690000	Carburetor (Choke System) Used on Type No(s). 0639, 1739.	222	692031	Bracket-Control (Remote/Manual Friction) (Primer)	305	691108	Screw (Blower Housing)
127	694468	Plug-Welch	222E	692982	Bracket-Control (Fixed Speed, 5 Position Manual Choke)	306	690450	Shield-Cylinder
127A	691739	Plug-Welch	227	690783	Lever-Governor Control	307	690345	Screw (Cylinder Shield)
130	691203	Valve-Throttle Note 696564 Valve-Throttle (Used With Plastic Throttle Shaft)	240	298090	Filter-Fuel	309	695550	Motor-Starter
130A	691181	Valve-Throttle	265	690798	Clamp-Casing	310	692327	Bolt (Starter Motor)
133	398187	Float-Carburetor	267	691044	Screw (Casing Clamp)	332	690662	Nut (Flywheel)
134	693981	Kit-Needle/Seat	268	691072	Casing-Control Wire (Cut to Required Length)	333	802574	Armature-Magneto
137	693981	Gasket-Float Bowl	269	691589	Wire-Control (Cut to Required Length)	334	691061	Screw (Magneto Armature)
146	690979	Key-Timing	270	691027	Nut (Control Wire Casing)	337	802592	Plug-Spark
159	691753	Bracket-Air Cleaner Primer	271	691028	Lever-Control	346	690661	Screw (Spark Arrestor)
163	272653	Gasket-Air Cleaner	276	271716	Washer-Sealing	347	691396	Switch-Rocker
187	691050	Line-Fuel (Cut to Required Length)	287	690940	Screw (Dipstick Tube)	356	692390	Wire-Stop
187A	691371	Line-Fuel (Molded)	300	692038	Muffler	356A	690650	Wire-Stop
187B	692042	Line-Fuel (Included Filter)				356B	693010	Wire-Stop
188	690877	Screw (Control Bracket)				357A	692191	Key-Drive Pulley
190	690940	Screw (Fuel Tank)				358	497316	Gasket Set-Engine
202	691829	Link-Mechanical Governor				363	19069	Flywheel Puller
						365	692524	Screw (Carburetor)
						383	89838	Wrench-Spark Plug
						404	690272	Washer (Governor Crank)
						425A	690670	Screw (Air Cleaner Cover)

★ Included in Engine Gasket Set-Ref. No.358.

● Included in Carburetor Overhaul Kit-Ref. No. 121.

◆ Included in Carburetor Gasket Set-Ref. No. 977.

⊘ Included in Valve Gasket Set-Ref. No 1095.

Illustrations cover a range of engines. Parts shown without corresponding text may not be used on your specific engine.

REF. NO.	PART NO.	DESCRIPTION	REF. NO.	PART NO.	DESCRIPTION	REF. NO.	PART NO.	DESCRIPTION
443A	692523	Screw (Air Cleaner Primer Base)	621	692310	Switch–Stop	789	695551	Harness–Wiring (Used After Code Date 00040600).
445A	491588	Filter–Air Cleaner Cartridge	627	692872	Bracket–Stopswitch			Note _____
455	695161	Cup–Flywheel	633	◆●691321	Seal–Choke/Throttle Shaft			690790 Harness–Wiring (Used Before Code Date 00040700).
456	692299	Plate–Pawl Friction	633A	◆●693867	Seal–Choke/Throttle Shaft			696546 Harness–Wiring Used on Type No(s). 1751.
459	281505	Pawl–Ratchet	635	66538	Boot–Spark Plug	801	690782	Cap–Drive
474	691991	Alternator	651	691660	Screw (Starter Gear Cover)	802	695267	Cap–End (Used After Code Date 00040600)
497	690664	Screw (Stopswitch Bracket)	668	★493823	Spacer (Includes 2)			Note _____
505	691251	Nut (Governor Control Lever)	670	692294	Spacer–Fuel Tank			695975 End Cap (Used Before Code Date 00040700)
510	494147	Drive–Starter	676A	393756	Deflector–Muffler (Side Out) (Shallow)	803	695266	Housing–Starter (Used After Code Date 00040600)
513	692358	Clutch–Drive	676E	393760	Deflector–Muffler (Side Out) (Deep)			Note _____
523	495264	Dipstick	677	690661	Screw (Muffler Deflector)			695975 Housing–Starter (Used Before Code Date 00040700)
524	★692296	Seal–Dipstick Tube	684	690345	Screw (Breather Passage Cover)			695975 Housing–Starter (Used Before Code Date 00040700)
525	495265	Tube–Dipstick	689	691855	Spring–Friction	832	499034	Guard–Muffler
529	691923	Grommet	692	690572	Spring–Detent	836	690664	Screw (Muffler Guard)
544	690786	Armature–Starter	697	691127	Screw (Drive Cap)	842	★691031	Seal–O Ring (Dipstick Tube)
545	492919	Washer Set (Starter Motor)	718	690959	Pin–Locating	843A	691895	Sleeve–Lever
562	92613	Bolt (Governor Control Lever)	741	790345	Gear–Timing (Use Without Woodruff Key)	847	692017	Dipstick/Tube Assembly
584	697734	Cover–Breather Passage			Note _____	851	493880	Terminal–Spark Plug
585	★691879	Gasket–Breather Passage	742	93941	Retainer–E Ring	853	695268	Adapter–Wire
592	690800	Nut (Rewind Starter)	745	691648	Screw (Brake)	869	691155	Seat–Valve (Intake)
597	691696	Screw (Pawl Friction Plate)	783	691918	Gear–Pinion (Starter)			
601	95162	Clamp–Hose	783A	691269	Gear–Pinion			
608	497680	Starter–Rewind	784	692341	Cover–Starter Gear			
613	691340	Screw (Muffler)	785	692352	Gasket–Starter Cover			
615	690340	Retainer–Governor Shaft						
616	698801	Crank–Governor						
617	◆●270344	Seal–O Ring (Intake Manifold)						

★ Included in Engine Gasket Set–Ref. No.358.

● Included in Carburetor Overhaul Kit–Ref. No. 121.

◆ Included in Carburetor Gasket Set–Ref. No. 977.

⊘ Included in Valve Gasket Set–Ref. No 1095.

Illustrations cover a range of engines. Parts shown without corresponding text may not be used on your specific engine.

12J700

REF. NO.	PART NO.	DESCRIPTION	REF. NO.	PART NO.	DESCRIPTION	REF. NO.	PART NO.	DESCRIPTION
870	690380	Seat-Valve (Exhaust)	1005	691346	Fan-Flywheel	1058	275177	Manual-Owner's
871	262001	Bushing-Valve Guide (Exhaust)	1019	494256	Kit-Label	1059	692311	Kit-Screw/Washer
		Note ———	1036	790412	Label-Emission (Used After Code Date 04063000).	1095	498528	Gasket Set-Valve
	63709	Bushing-Valve Guide (Intake)			Note ———	1119	691648	Screw (Alternator)
883	★∅691881	Gasket-Exhaust		695111	Label-Emission (Used After Code Date 99093000 and Before Code Date 04070100).	1160	691627	Screw (Interlock Switch)
910	691094	Stud (Alternator)		694458	Label-Emission (Used After Code Date 98123100 and Before Code Date 99100100).	1210	498144	Pulley/Spring Assembly (Pulley)
922	691831	Spring-Brake		499341	Label-Emission (Used After Code Date 97052500 and Before Code Date 99010100).	1211	498144	Pulley/Spring Assembly (Spring)
922A	692135	Spring-Brake Used on Type No(s). 1759.		790413	Label-Emission (Used On Engines With D1 Trim) (Used After Code Date 04063000).	1330	270962	Manual-Repair
923	691994	Brake		697378	Label-Emission (Used On Engines With D1 Trim) (Used Before Code Date 04070100).			
923A	695891	Brake Used on Type No(s). 1759.						
930	691919	Guard-Rewind						
935	499421	Switch-Interlock						
937	691325	Spline-Starter						
957	397974	Cap-Fuel Tank (Plastic)						
966A	496116	Base-Air Cleaner Primer						
967A	493537	Filter-Pre Cleaner						
968B	692298	Cover-Air Cleaner						
970	691669	Screw (Air Cleaner Primer Bracket)						
972	695887	Tank-Fuel (Plastic)						
975	493640	Bowl-Float						
976	694395	Primer-Carburetor						
977	498261	Gasket Set-Carburetor						
994	398067	Arrestor-Spark						

★ Included in Engine Gasket Set-Ref. No.358.

● Included in Carburetor Overhaul Kit-Ref. No. 121.

◆ Included in Carburetor Gasket Set-Ref. No. 977.

∅ Included in Valve Gasket Set-Ref. No 1095.

Illustrations cover a range of engines. Parts shown without corresponding text may not be used on your specific engine.