

12T800 to 12T899

Illustrated Parts List Model Series 12T800 to 12T899

TYPE NUMBERS

0640, 0642, 0818,
0819, 0820, 0833,
0839,
0854 through 0866,
0873, 0879,
0880 through 0888,
0894, 0896,
1128 through 1136,
1162 through 1176,
1522,
1566 through 1571,
1580, 1581, 1582,
1584.

TO FIND

THE CORRECT NUMBER OF THE PART YOU NEED: FOLLOW THE INSTRUCTIONS BELOW

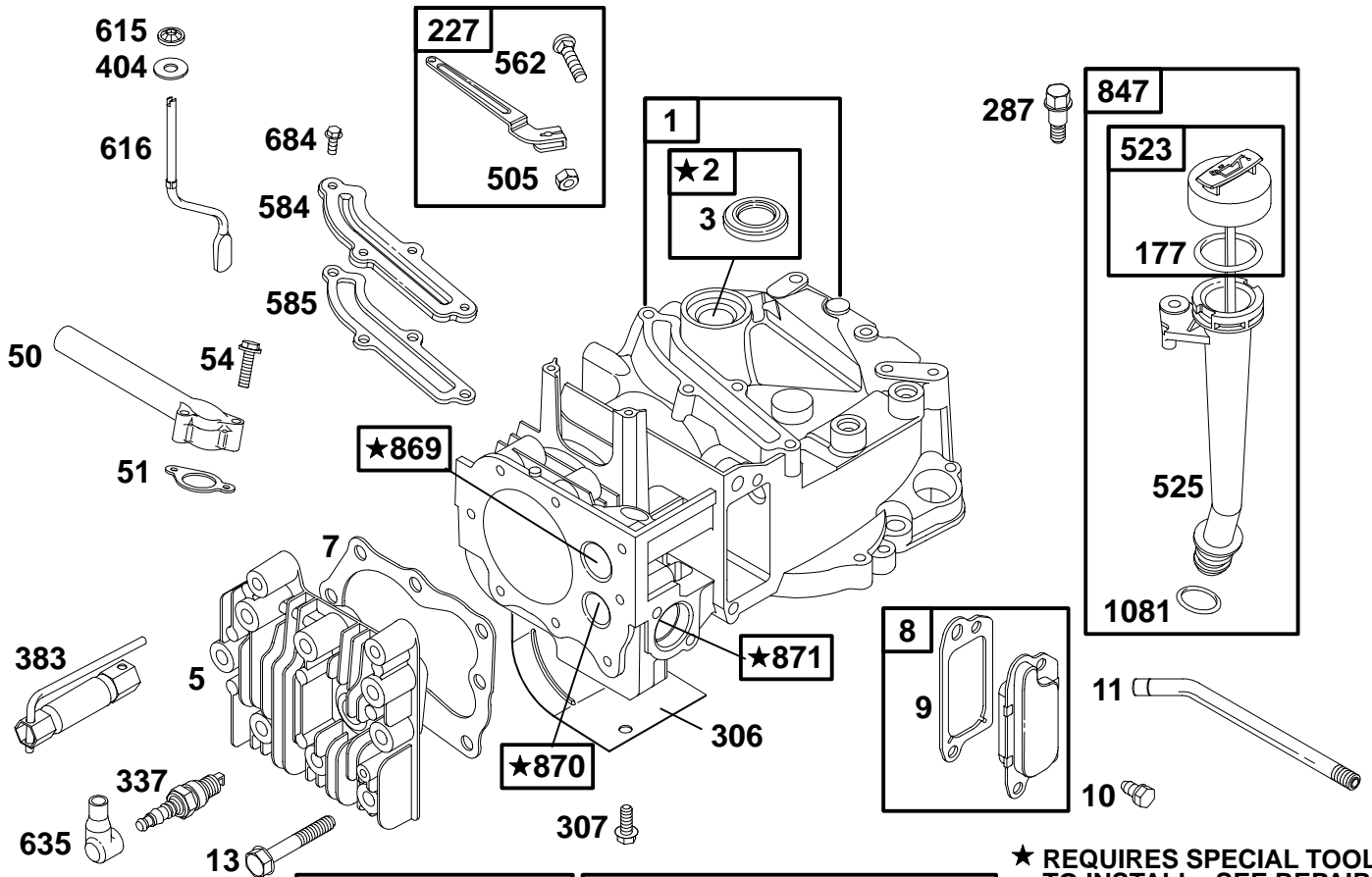
- A. Refer to Engine Model, Type and Code Number that is stamped on the blower housing of engine. Engine type numbers such as 0123 01 are listed only as 0123 in most instances. The two digits (01 or 02, etc.) to the right of the space may be required for more accurate parts identification in some instances. Select the Illustrated Parts List covering the correct Model Series and Type Number.
- B. Refer to the Illustrations and compare the original part with Illustration. The number next to the illustration is the Reference Number. Assemblies include all parts shown in frames. All parts shown in assembly frames having individual reference numbers can be purchased separately.
- C. After the Reference Number has been identified, refer to the Numerical text, where Reference and Primary Part Number are listed. **THE PRIMARY PART IS USED ON ALL TYPE NUMBERS EXCEPT THOSE TYPE NUMBERS UNDER "NOTE."**
- D. If a "Note" appears below the Primary Part Number, it means that this part differs from the Primary Part for certain types. If your Type number is listed under "Note," order the part referred to at the "Note."
- E. If your Engine Type Number does not appear after any part number listed under "Note," use the Primary Part Number.
- F. For Engine Type Numbers not covered by this book, check other Parts Lists having the same engine model or contact your source of supply.

PRINTED IN U.S.A.



COPYRIGHT by BRIGGS & STRATTON CORPORATION
All rights reserved. No part of this material may be reproduced or transmitted, in any form or by any means, electronic or mechanical, including photocopying, recording or by any information storage and retrieval system, without permission in writing from Briggs & Stratton Corporation.

12T800 to 12T899

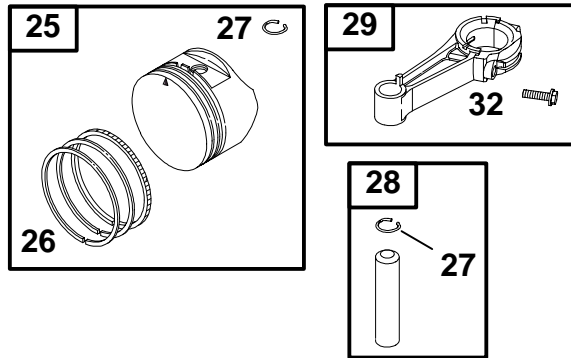


1019 LABEL KIT **1058 OWNER'S MANUAL**

REF. NO.	PART NO.	DESCRIPTION	REF. NO.	PART NO.	DESCRIPTION	REF. NO.	PART NO.	DESCRIPTION
1	493260	Cylinder Assembly	177	★280393	O-Ring Seal (Dipstick)	585	★272238	Breather Passage Gasket
2	399269	Bushing/Seal Kit (Magneto Side)	227	690783	Governor Control Lever	615	690340	Governor Shaft Retainer
3	★299819	Oil Seal (Magneto Side)	287	94511	Screw (Dipstick Tube)	616	691306	Governor Crank
5	691160	Cylinder Head (Used After Code Date 98062100).	306	690450	Cylinder Shield	635	66538	Spark Plug Boot
<p align="center">Note</p>			307	690345	Screw (Cylinder Shield)	684	690345	Screw (Breather Passage Cover)
	214626	Cylinder Head (Used Before Code Date 98062200).	337	802592	Spark Plug	847	495263	Dipstick/Tube Assembly
7	★Ø272916	Cylinder Head Gasket	383	89838	Spark Plug Wrench	869	691125	Valve Seat (Intake)
8	495786	Breather Assembly	404	690272	Washer (Governor Crank)	870	690380	Valve Seat (Exhaust)
9	★Ø272481	Breather Gasket	505	231082	Nut (Governor Control Lever)	871	262001	Guide Bushing (Exhaust)
10	691125	Screw (Breather Assembly)	523	495264	Dipstick	<p align="center">Note</p>		
11	231933	Breather Tube	525	495265	Dipstick Tube	1019	494256	Label Kit
13	94547	Screw (Cylinder Head)	562	691119	Bolt (Governor Control Lever)	1058	272262	Owner's Manual
50	497465	Intake Manifold	584	692342	Breather Passage Cover	1081	★280966	O-Ring Seal (Dipstick Tube)
51	★272199	Intake Gasket						
54	94526	Screw (Intake Manifold)						

★ Included in Engine Gasket Set—Ref. No. 358.
 ● Included in Carburetor Overhaul Kit—Ref. No. 121.

◆ Included in Carburetor Gasket Set—Ref. No. 977.
 Ø Included in Valve Overhaul Gasket Set—Ref. No. 1095.

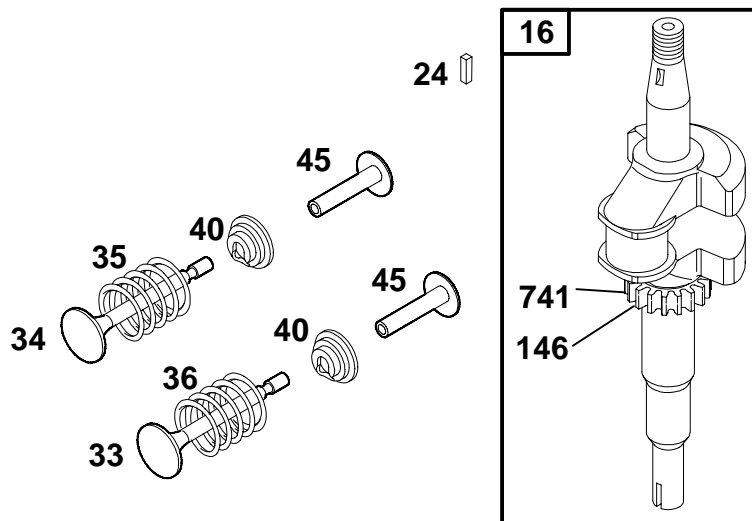


REF. NO.	PART NO.	DESCRIPTION	REF. NO.	PART NO.	DESCRIPTION	REF. NO.	PART NO.	DESCRIPTION
25	499429	Piston Assembly (Standard) (Used After Code Date 97011200). Note 493262 Piston Assembly (Standard) (Used Before Code Date 97011300). 499430 Piston Assembly (.010 O.S.) (Used After Code Date 97011200). 493385 Piston Assembly (.010 O.S.) (Used Before Code Date 97011300). 499431 Piston Assembly (.020 O.S.) (Used After Code Date 97011200). 493386 Piston Assembly (.020 O.S.) (Used Before Code Date 97011300). 499432 Piston Assembly (.030 O.S.) (Used After Code Date 97011200). 493387 Piston Assembly (.030 O.S.) (Used Before Code Date 97011300).	26	499425	Ring Set (Standard) (Used After Code Date 97011200). Note 493261 Ring Set (Standard) (Used Before Code Date 97011300). 499426 Ring Set (.010 O.S.) (Used After Code Date 97011200). 493388 Ring Set (.010 O.S.) (Used Before Code Date 97011300). 499427 Ring Set (.020 O.S.) (Used After Code Date 97011200). 493389 Ring Set (.020 O.S.) (Used Before Code Date 97011300). 499428 Ring Set (.030 O.S.) (Used After Code Date 97011200). 493390 Ring Set (.030 O.S.) (Used Before Code Date 97011300).	27	263190	Piston Pin Lock (Used After Code Date 97011200). Note 26026 Piston Pin Lock (Used Before Code Date 97011300). 28 499423 Piston Pin (Standard) (Used After Code Date 97011200). Note 298909 Piston Pin (Standard) (Used Before Code Date 97011300). 298908 Piston Pin (.005 O.S.) (Used Before Code Date 97011300). 29 499424 Connecting Rod (Standard) (Used After Code Date 97011200). Note 490566 Connecting Rod (Standard) (Used Before Code Date 97011300). 490743 Connecting Rod (.020 Undersize) (Used Before Code Date 97011300). 32 94699 Screw (Connecting Rod)

★ Included in Engine Gasket Set—Ref. No. 358.
● Included in Carburetor Overhaul Kit—Ref. No. 121.

◆ Included in Carburetor Gasket Set—Ref. No. 977.
⊘ Included in Valve Overhaul Gasket Set—Ref. No. 1095.

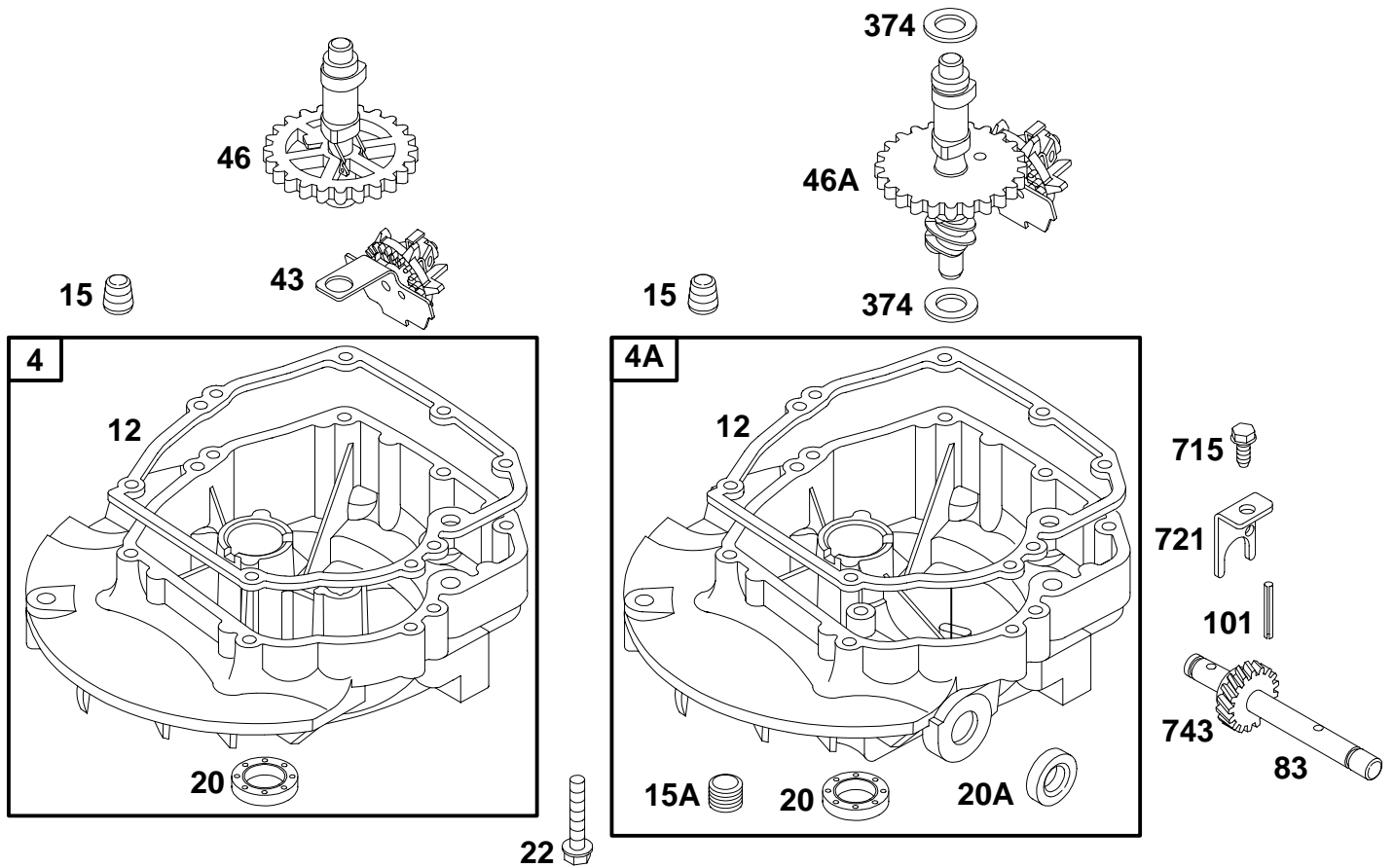
12T800 to 12T899



REF. NO.	PART NO.	DESCRIPTION	REF. NO.	PART NO.	DESCRIPTION	REF. NO.	PART NO.	DESCRIPTION
16	691451	Crankshaft (Used After Code Date 97011200). Note 493362 Crankshaft (Used Before Code Date 97011300). 691450 Crankshaft (Used After Code Date 97011200). Used on Type No(s). 0858, 0884, 1132, 1133, 1134. 493282 Crankshaft (Used Before Code Date 97011300). Used on Type No(s). 0858, 0884, 1132, 1133, 1134. 691452 Crankshaft (Used After Code Date 97011200). Used on Type No(s). 0820, 0839, 0856, 0857, 0866, 0881, 0886, 0896, 1162, 1166, 1176, 1566.		493363	Crankshaft (Used Before Code Date 97011300). Used on Type No(s). 0820, 0839, 0856, 0857, 0866, 0881, 0886, 0896, 1162, 1166, 1176, 1566. 692980 Crankshaft (Used After Code Date 97011200). Used on Type No(s). 0640, 0642. 493946 Crankshaft (Used Before Code Date 97011300). Used on Type No(s). 0854, 0864, 0879, 0880, 0894, 1135, 1164, 1522.		24	222698 Flywheel Key
						33	262651	Exhaust Valve
						34	262652	Intake Valve
						35	691270	Valve Spring (Intake)
						36	691270	Valve Spring (Exhaust)
						40	93312	Valve Retainer
						45	690548	Valve Tappet
						146	94388	Timing Key
						741	262598	Timing Gear

★ Included in Engine Gasket Set—Ref. No. 358.
● Included in Carburetor Overhaul Kit—Ref. No. 121.

◆ Included in Carburetor Gasket Set—Ref. No. 977.
∅ Included in Valve Overhaul Gasket Set—Ref. No. 1095.

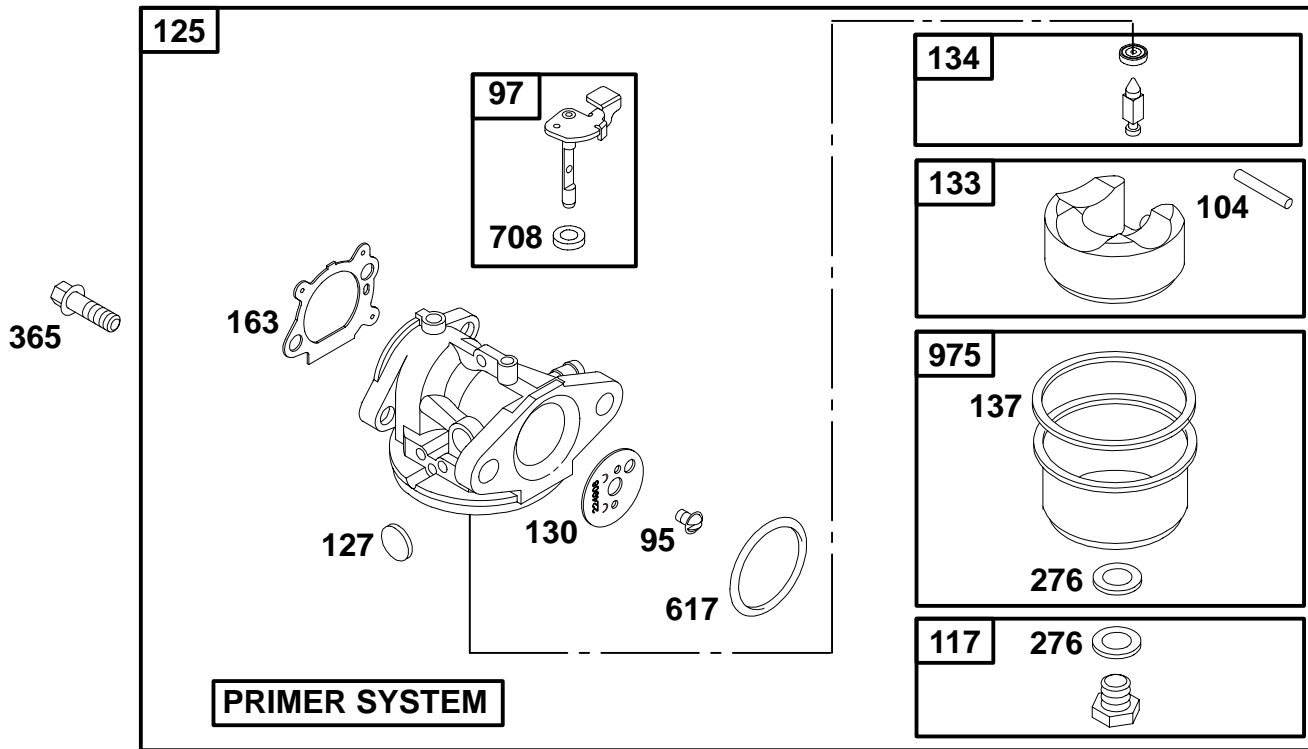


REF. NO.	PART NO.	DESCRIPTION	REF. NO.	PART NO.	DESCRIPTION	REF. NO.	PART NO.	DESCRIPTION
4	493279	Engine Sump	46	691449	Camshaft (Used After Code Date 96060200).	83	231671	Auxiliary Drive Shaft
4A	493365	Engine Sump			Note			Note
12	★272198	Crankcase Gasket						690522 Auxiliary Drive Shaft
15	94880	Oil Drain Plug			Note			Used on Type No(s). 0854, 0886, 1133.
15A	691093	Oil Drain Plug				101	93474	Shaft Pin
20	★399781	Oil Seal (PTO Side)	46A	691459	Camshaft (Used After Code Date 96060200).	374	691074	Washer (Camshaft)
20A	391484	Oil Seal (PTO Side)			Note	715	94929	Screw (Shaft Stop)
22	691092	Screw (Crankcase Cover/ Sump)				721	690449	Shaft Stop
		Note				743	231279	Drive Gear
		94612 Screw (Crankcase Cover/ Sump) (One Used in Hole Nearest Breather)			493738 Camshaft (Used Before Code Date 96060300).			
43	493737	Governor/Oil Slinger						

★ Included in Engine Gasket Set—Ref. No. 358.
● Included in Carburetor Overhaul Kit—Ref. No. 121.

◆ Included in Carburetor Gasket Set—Ref. No. 977.
∅ Included in Valve Overhaul Gasket Set—Ref. No. 1095.

12T800 to 12T899



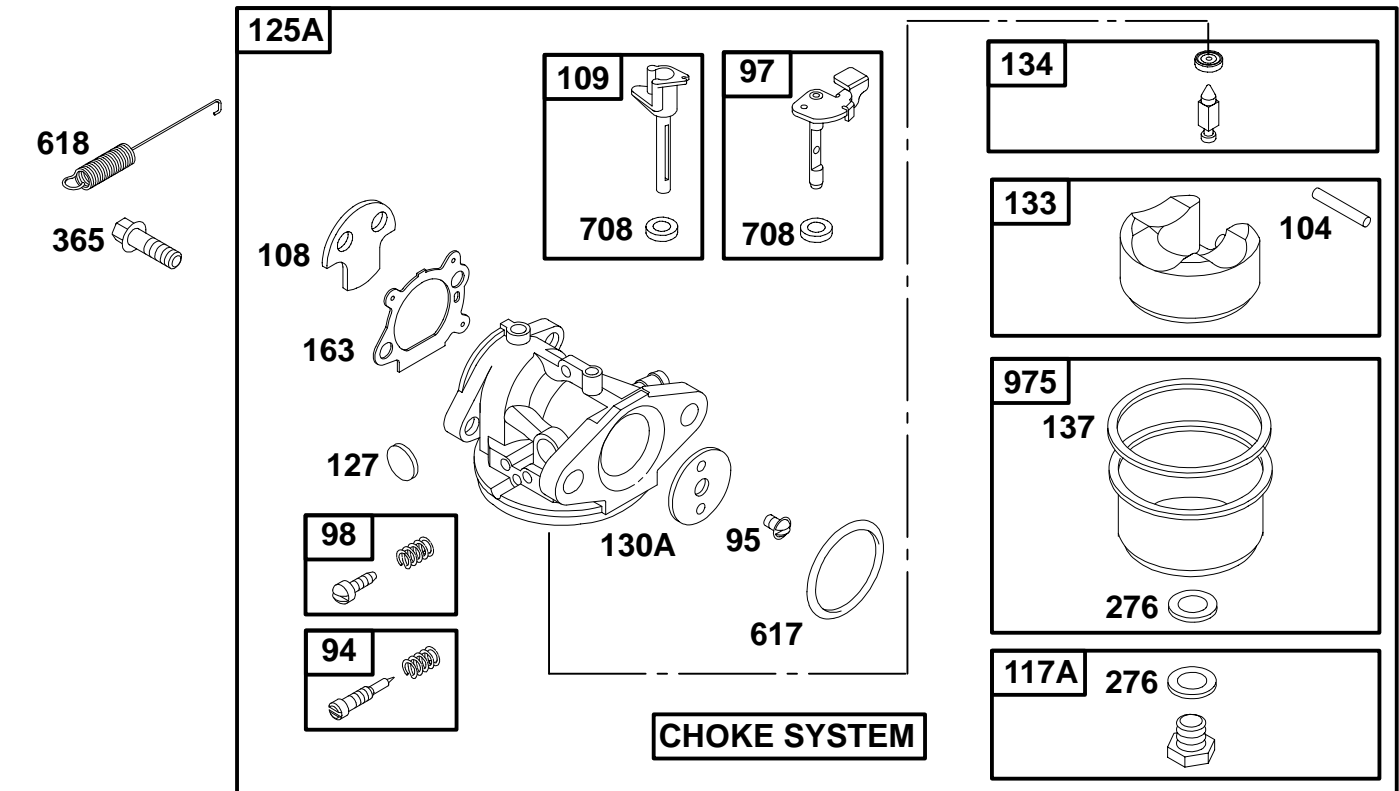
REF. NO.	PART NO.	DESCRIPTION	REF. NO.	PART NO.	DESCRIPTION	REF. NO.	PART NO.	DESCRIPTION
95	94098	Screw (Throttle Valve)	125	498170	Carburetor (Primer System) (Used After Code Date 96060200).	127	●223749	Welch Plug
97	493267	Throttle Shaft				130	691203	Throttle Valve
104	●691242	Float Hinge Pin				133	398187	Carburetor Float
117	494870	Main Jet (Standard) (Used After Code Date 96060200).				134	●398188	Needle/Seat Kit
		Note				137	●●280492	Float Bowl Gasket
		497466 Main Jet (Standard) (Used After Code Date 95102900 and Before Code Date 96060300).			498254 Carburetor (Primer System) (Used After Code Date 95102900 and Before Code Date 96060300).	163	★●●272653	Air Cleaner Gasket
		497315 Main Jet (Standard) (Used Before Code Date 95103000).			497314 Carburetor (Primer System) (Used Before Code Date 95103000).	276	●●271716	Sealing Washer
		497315 Main Jet (High Altitude) (Used After Code Date 96060200).				365	94840	Screw (Carburetor)
		496495 Main Jet (High Altitude) (Used Before Code Date 96060300).				617	●●270344	O-Ring Seal (Intake Manifold)
		497348 Main Jet (High Altitude) (Used Before Code Date 95103000).				708	●●691321	Dust Seal (Throttle Shaft)
						975	493640	Float Bowl

★ Included in Engine Gasket Set—Ref. No. 358.

● Included in Carburetor Overhaul Kit—Ref. No. 121.

◆ Included in Carburetor Gasket Set—Ref. No. 977.

⊘ Included in Valve Overhaul Gasket Set—Ref. No. 1095.

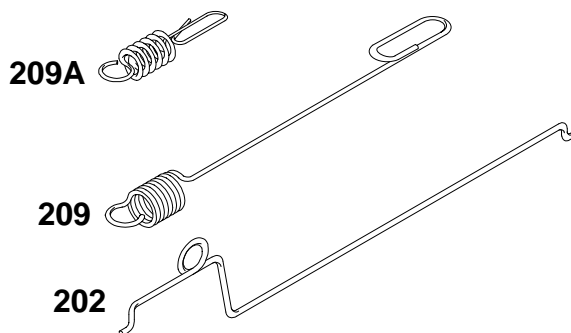
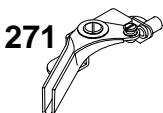
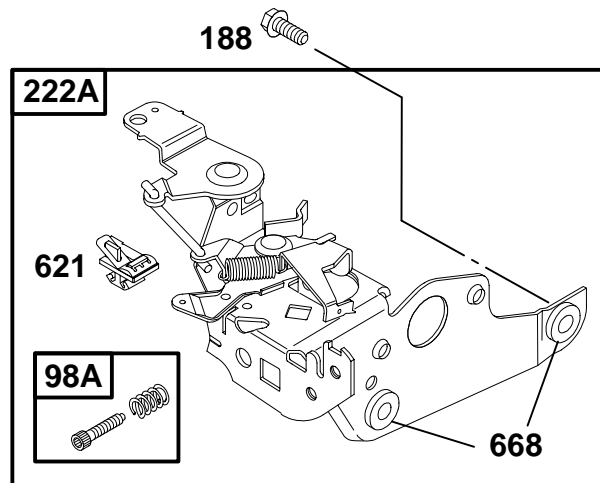
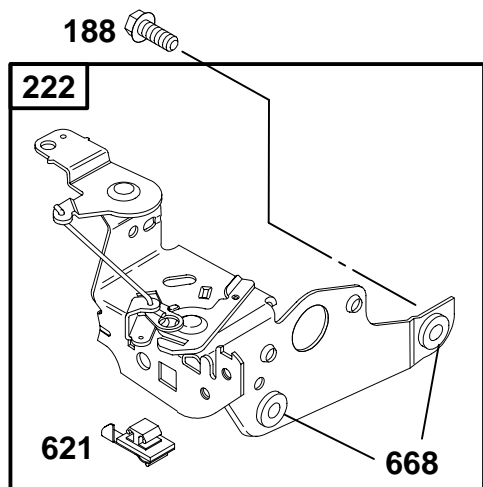


REF. NO.	PART NO.	DESCRIPTION	REF. NO.	PART NO.	DESCRIPTION	REF. NO.	PART NO.	DESCRIPTION
94	●493765	Idle Mixture Kit	125A	498965	Carburetor (Choke System) (Used After Code Date 96060200).	675	94840	Screw (Carburetor)
95	94098	Screw (Throttle Valve)			Note	617	◆270344	O-Ring Seal (Intake Manifold)
97	493267	Throttle Shaft			494217 Carburetor (Used Before Code Date 96060300).	618	262749	Choke Return Spring
98	398185	Idle Speed Kit	127	●223749	Welch Plug	708	◆691321	Dust Seal (Throttle Shaft)
104	●691242	Float Hinge Pin	130A	691181	Throttle Valve			Note
108	691182	Choke Valve	133	398187	Carburetor Float			691321 Dust Seal (Choke Shaft)
109	494218	Choke Shaft	134	●398188	Needle/Seat Kit	975	493640	Float Bowl
117A	498977	Main Jet (Standard) (Used After Code Date 96060200).	137	◆280492	Float Bowl Gasket			
		Note	163	◆272653	Air Cleaner Gasket			
		493637 Main Jet (Standard) (Used Before Code Date 96060300).	276	◆271716	Sealing Washer			
		498981 Main Jet (High Altitude) (Used After Code Date 96060200).						
		496063 Main Jet (High Altitude) (Used Before Code Date 96060300).						

★ Included in Engine Gasket Set—Ref. No. 358.
 ● Included in Carburetor Overhaul Kit—Ref. No. 121.

◆ Included in Carburetor Gasket Set—Ref. No. 977.
 ∅ Included in Valve Overhaul Gasket Set—Ref. No. 1095.

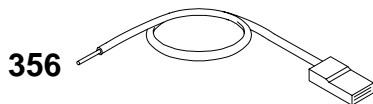
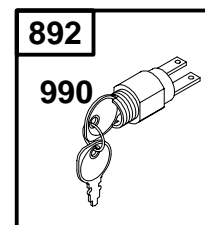
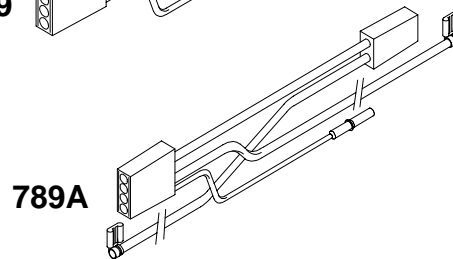
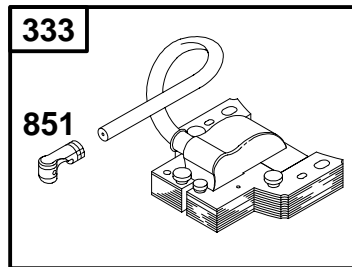
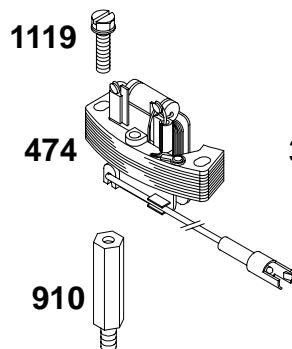
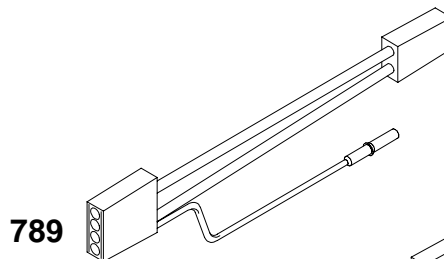
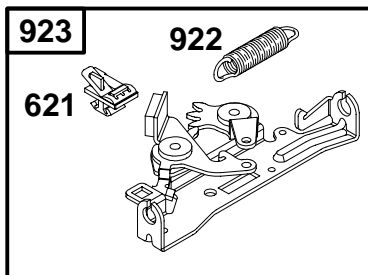
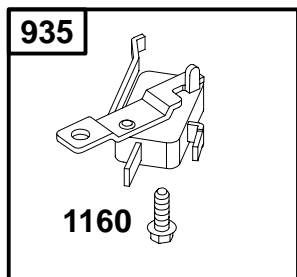
12T800 to 12T899



REF. NO.	PART NO.	DESCRIPTION	REF. NO.	PART NO.	DESCRIPTION	REF. NO.	PART NO.	DESCRIPTION
98A	493280	Idle Speed Kit	209A	262666	Governor Spring	265	213146	Casing Clamp
188	94644	Screw (Control Bracket)			Note	267	94882	Screw (Casing Clamp)
202	262579	Mechanical Governor Link		262664	Governor Spring Used on Type No(s). 1128.	268	691072	Control Wire Casing (Cut to Required Length)
209	691292	Governor Spring		690569	Governor Spring Used on Type No(s). 0858.	269	26099	Control Wire (Cut to Required Length)
		Note	222	497203	Control Bracket (Used With Primer Carburetor)	270	63426	Nut (Control Wire Casing)
		263042 Governor Spring Used on Type No(s). 0818, 0884, 1136, 1580, 1581, 1582, 1584.	222A	495975	Control Bracket (Used With Choke Carburetor)	271	290568	Control Lever
		263044 Governor Spring Used on Type No(s). 0640, 0642, 0857.				621	396847	Stop Switch
						668	★493823	Spacer (Includes 2)

★ Included in Engine Gasket Set—Ref. No. 358.
● Included in Carburetor Overhaul Kit—Ref. No. 121.

◆ Included in Carburetor Gasket Set—Ref. No. 977.
⊘ Included in Valve Overhaul Gasket Set—Ref. No. 1095.

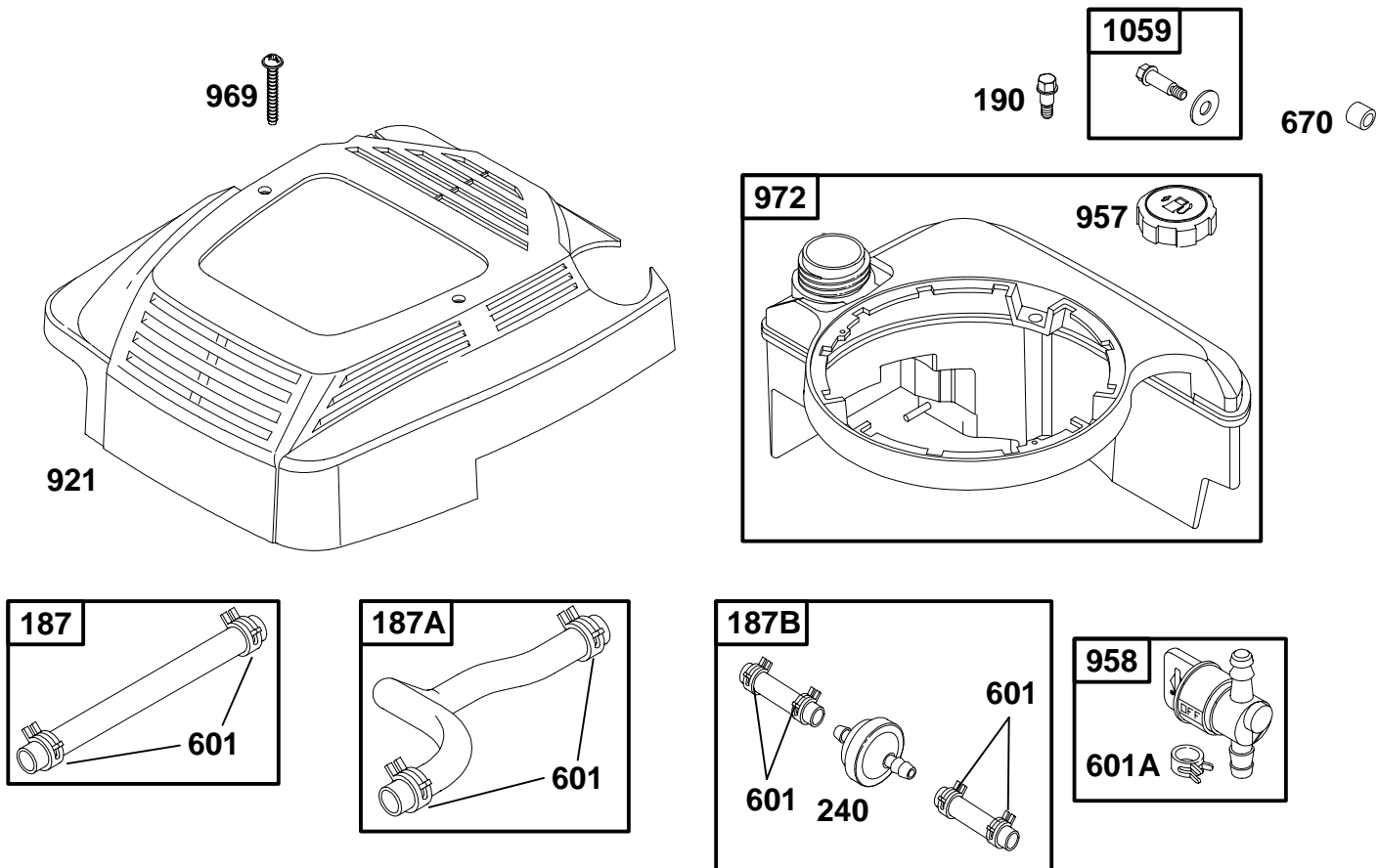


REF. NO.	PART NO.	DESCRIPTION	REF. NO.	PART NO.	DESCRIPTION	REF. NO.	PART NO.	DESCRIPTION
333	802574	Magneto Armature	789	690790	Wiring Harness	923	493442	Brake
334	94731	Screw (Magneto Armature)	789A	691372	Wiring Harness	935	398758	Interlock Switch
356	692390	Stop Wire	851	493880	Cable Terminal	990	392832	Key Set
474	492841	Alternator	892	690646	Key Switch	1119	94512	Screw (Alternator)
621	396847	Stop Switch	910	691094	Stud (Alternator)	1160	93758	Screw (Interlock Switch)
745	94512	Screw (Brake)	922	262640	Brake Spring			

★ Included in Engine Gasket Set—Ref. No. 358.
● Included in Carburetor Overhaul Kit—Ref. No. 121.

◆ Included in Carburetor Gasket Set—Ref. No. 977.
∅ Included in Valve Overhaul Gasket Set—Ref. No. 1095.

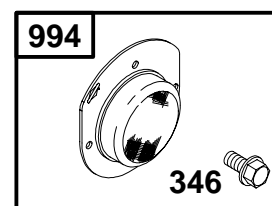
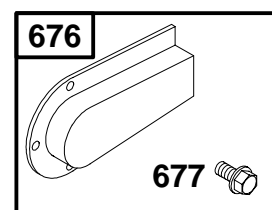
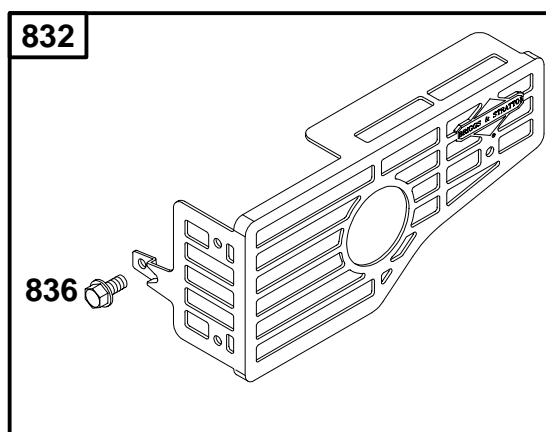
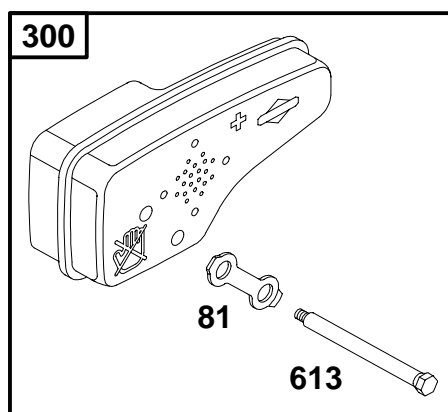
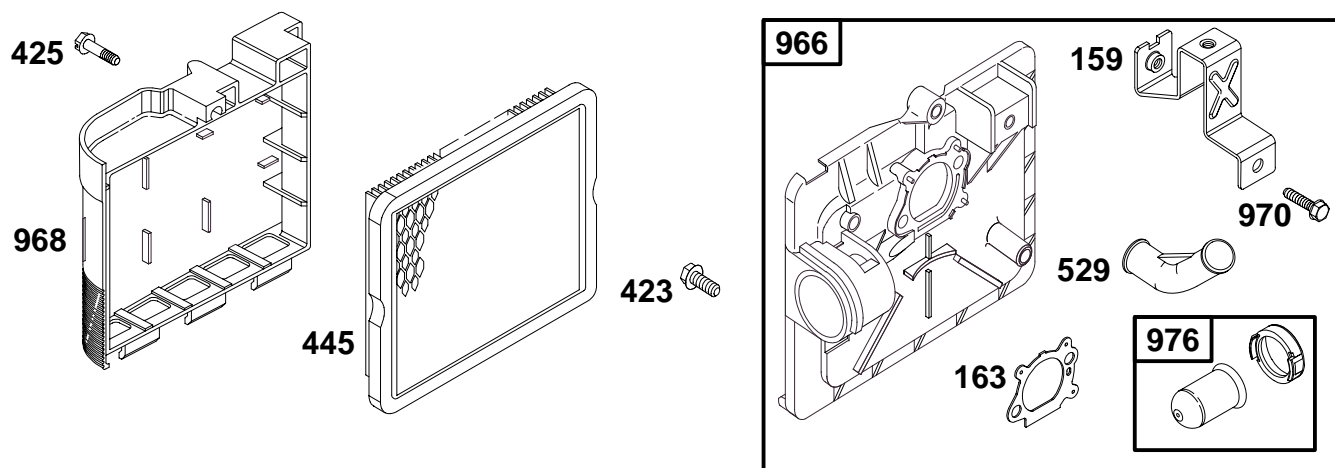
12T800 to 12T899



REF. NO.	PART NO.	DESCRIPTION	REF. NO.	PART NO.	DESCRIPTION	REF. NO.	PART NO.	DESCRIPTION
187	492790	Fuel Line (Cut to Required Length)	240	298090	Fuel Filter	957	397974	Fuel Tank Cap (Plastic)
187A	691371	Fuel Line (Molded)	601	93053	Hose Clamp (Green)	958	494768	Fuel Shut-Off Valve
187B	498171	Fuel Line	601A	93807	Hose Clamp (Black)	969	94696	Screw (Blower Housing Cover)
190	94511	Screw (Fuel Tank)	670	280512	Fuel Tank Spacer	972	495224	Fuel Tank (Black, 1.6 Quart)
			921	497233	Rewind Guard	1059	398540	Screw/Washer Kit

★ Included in Engine Gasket Set—Ref. No. 358.
● Included in Carburetor Overhaul Kit—Ref. No. 121.

◆ Included in Carburetor Gasket Set—Ref. No. 977.
⊘ Included in Valve Overhaul Gasket Set—Ref. No. 1095.

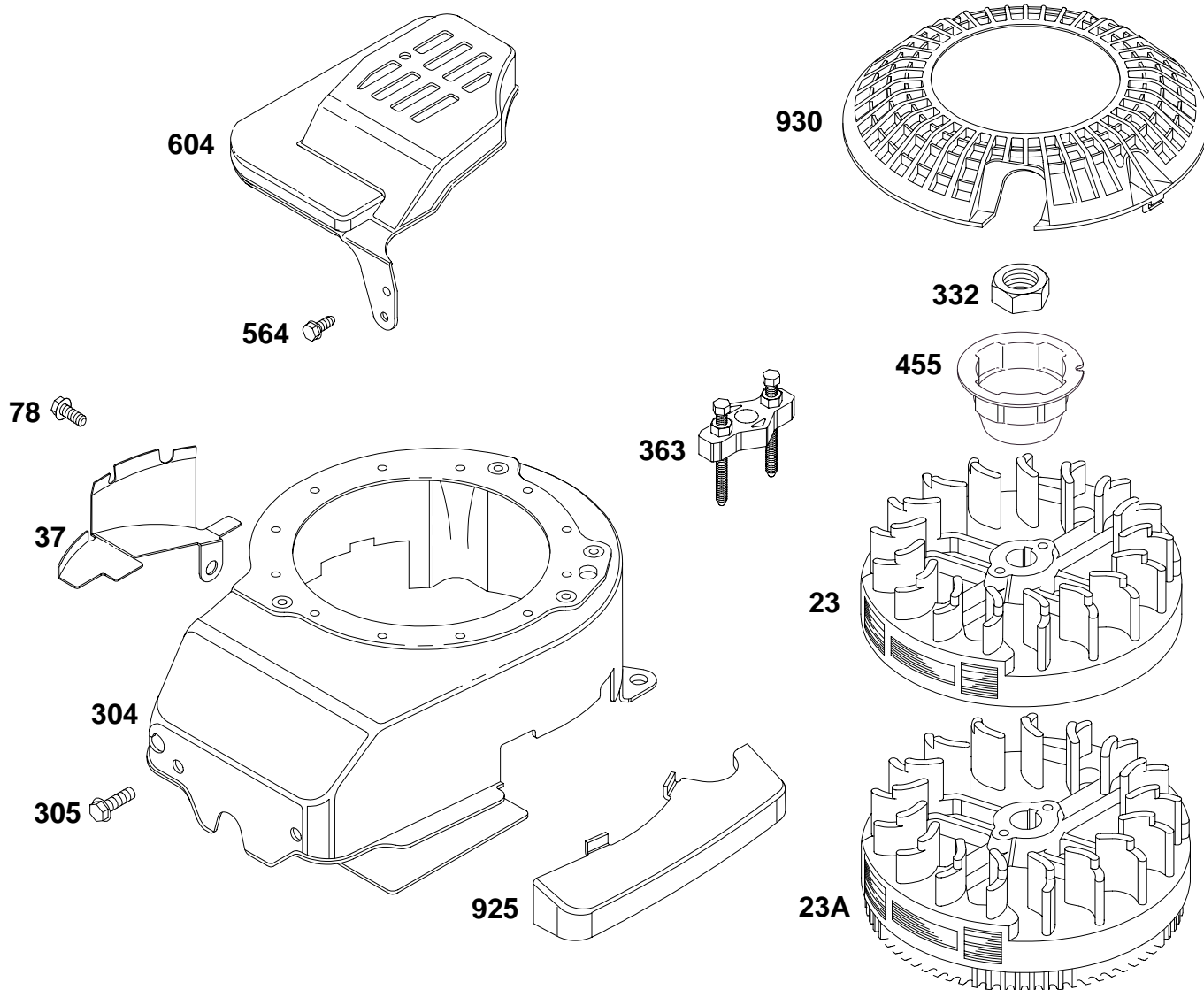


REF. NO.	PART NO.	DESCRIPTION	REF. NO.	PART NO.	DESCRIPTION	REF. NO.	PART NO.	DESCRIPTION
81	223664	Muller Screw Lock	529	281299	Grommet	970	94749	Screw (Air Cleaner Primer Bracket)
159	224815	Air Cleaner Primer Bracket	613	94231	Screw (Exhaust Muffler)	976	694395	Carburetor Primer (Used After Code Date 99103100).
163★◆	272653	Air Cleaner Gasket	676	493871	Muffler Deflector	Note 496115 Carburetor Primer (Used Before Code Date 99110100).		
300	496106	Exhaust Muffler	677	94896	Screw (Muffler Deflector)			
346	94896	Screw (Spark Arrester)	832	494224	Muffler Guard	994	398067	Spark Arrester
423	94873	Screw (Air Cleaner Primer Base)	836	94874	Screw (Muffler Guard)			
425	94872	Screw (Air Cleaner Cover)	966	496116	Air Cleaner Primer Base			
445	491588	Air Cleaner Cartridge Filter	968	281340	Air Cleaner Cover			

★ Included in Engine Gasket Set—Ref. No. 358.
 ● Included in Carburetor Overhaul Kit—Ref. No. 121.

◆ Included in Carburetor Gasket Set—Ref. No. 977.
 ∅ Included in Valve Overhaul Gasket Set—Ref. No. 1095.

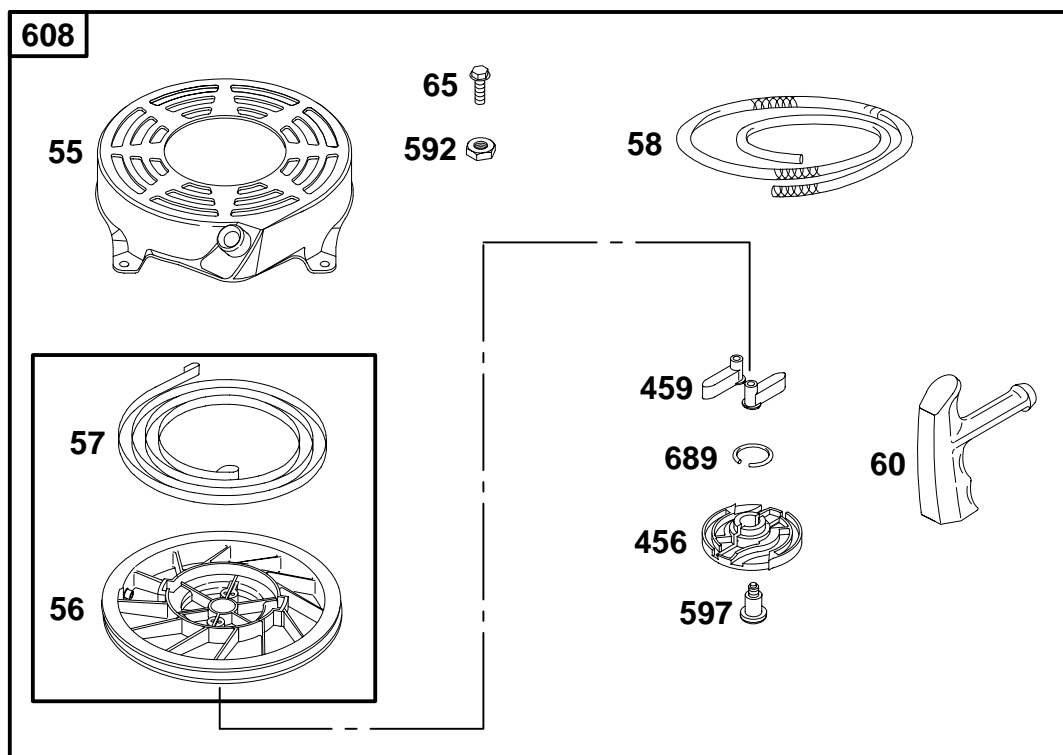
12T800 to 12T899



REF. NO.	PART NO.	DESCRIPTION	REF. NO.	PART NO.	DESCRIPTION	REF. NO.	PART NO.	DESCRIPTION
23	492177	Flywheel	304	493294	Blower Housing (Used on Compliance Engines)	332	94877	Nut (Flywheel)
		Note			Note	363	19069	Flywheel Puller
		492893 Flywheel Used on Type No(s). 0839.			493293 Blower Housing (Used on Non- Compliance Engines)	455	691219	Flywheel Cup
23A	492175	Flywheel				564	93801	Screw (Control Cover)
37	224511	Flywheel Guard	305	691108	Screw (Blower Housing)	604	225103	Control Cover
78	691108	Screw (Flywheel Guard)				925	690595	Linkage Cover
						930	281136	Rewind Guard

★ Included in Engine Gasket Set—Ref. No. 358.
● Included in Carburetor Overhaul Kit—Ref. No. 121.

◆ Included in Carburetor Gasket Set—Ref. No. 977.
⊘ Included in Valve Overhaul Gasket Set—Ref. No. 1095.

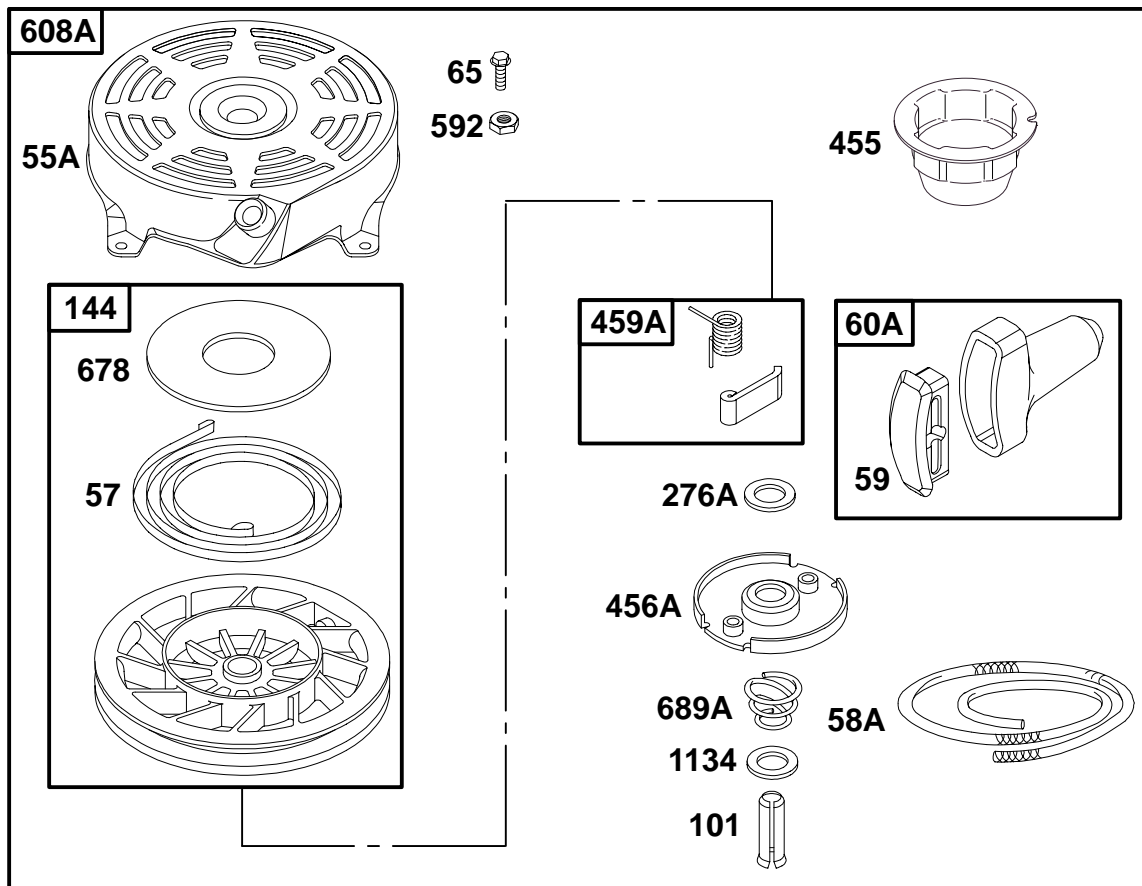


REF. NO.	PART NO.	DESCRIPTION	REF. NO.	PART NO.	DESCRIPTION	REF. NO.	PART NO.	DESCRIPTION
55	691421	Rewind Starter Housing	58	280399	Starter Rope (Cut To Required Length)	459	281505	Ratchet Pawl
56	498144	Pulley/Spring Assembly	60	281434	Starter Rope Grip	592	94908	Nut (Rewind Starter)
57	498144	Pulley/Spring Assembly	65	94904	Screw (Rewind Starter)	597	94943	Screw (Pawl Friction Plate)
			456	281503	Pawl Friction Plate	608	497680	Rewind Starter
						689	263073	Friction Spring

★ Included in Engine Gasket Set—Ref. No. 358.
 ● Included in Carburetor Overhaul Kit—Ref. No. 121.

◆ Included in Carburetor Gasket Set—Ref. No. 977.
 ∅ Included in Valve Overhaul Gasket Set—Ref. No. 1095.

12T800 to 12T899



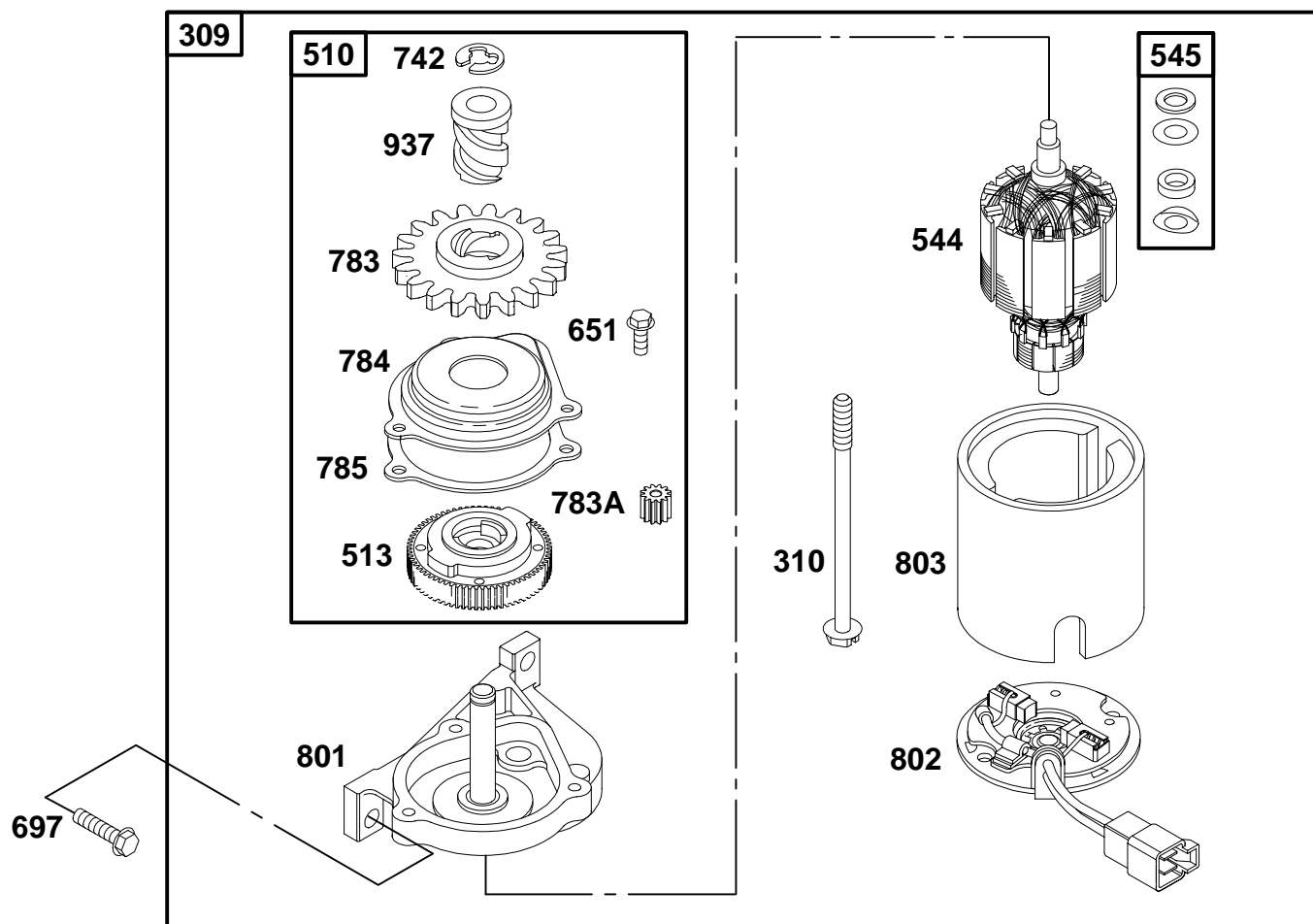
REF. NO.	PART NO.	DESCRIPTION	REF. NO.	PART NO.	DESCRIPTION	REF. NO.	PART NO.	DESCRIPTION
55A	492831	Rewind Starter Housing	65	94904	Screw (Rewind Starter)	459A	492833	Ratchet Pawl
57	491889	Rewind Starter Spring	101	262626	Shaft Pin	592	94908	Nut (Rewind Starter)
58A	280399	Starter Rope (Cut To Required Length)	144	493824	Pulley/Spring Assembly	608A	497598	Rewind Starter
59	396892	Grip Insert	276A	280973	Sealing Washer	678	224278	Rewind Spacer
60A	393152	Starter Rope Grip	455	691219	Flywheel Cup	689A	262625	Friction Spring
			455A	224250	Flywheel Cup	946	223294	Rope Stop
			456A	224321	Pawl Friction Plate	1134	224322	Washer (Pawl Friction Plate)

★ Included in Engine Gasket Set—Ref. No. 358.

● Included in Carburetor Overhaul Kit—Ref. No. 121.

◆ Included in Carburetor Gasket Set—Ref. No. 977.

∅ Included in Valve Overhaul Gasket Set—Ref. No. 1095.



REF. NO.	PART NO.	DESCRIPTION	REF. NO.	PART NO.	DESCRIPTION	REF. NO.	PART NO.	DESCRIPTION
309	692376	Starter Motor	651	690345	Screw (Starter Gear Cover)	784	692341	Gear Cover
310	692327	Screw (Starter Motor)	697	691127	Screw (Drive Cap)	785	692352	Starter Cover Gasket
510	494147	Starter Drive	742	93941	E-Ring Retainer	801	690782	Drive Cap
513	692358	Drive Clutch	783	281127	Pinion Gear	802	690787	End Cap
544	690786	Starter Armature	783A	691269	Pinion Gear	803	690785	Starter Housing
545	492919	Washer Set (Starter Motor)				937	691325	Starter Spline

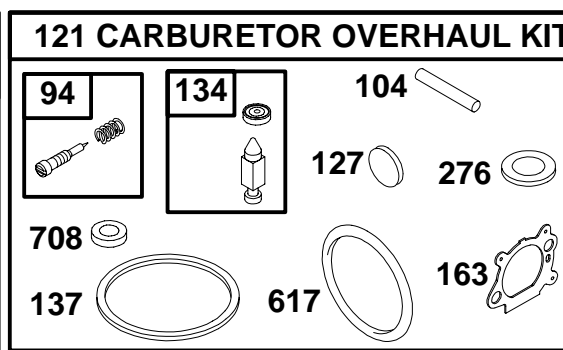
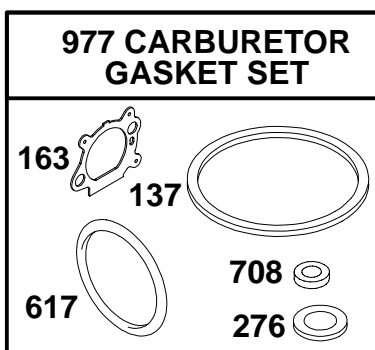
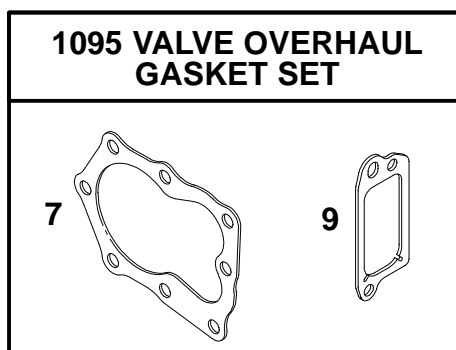
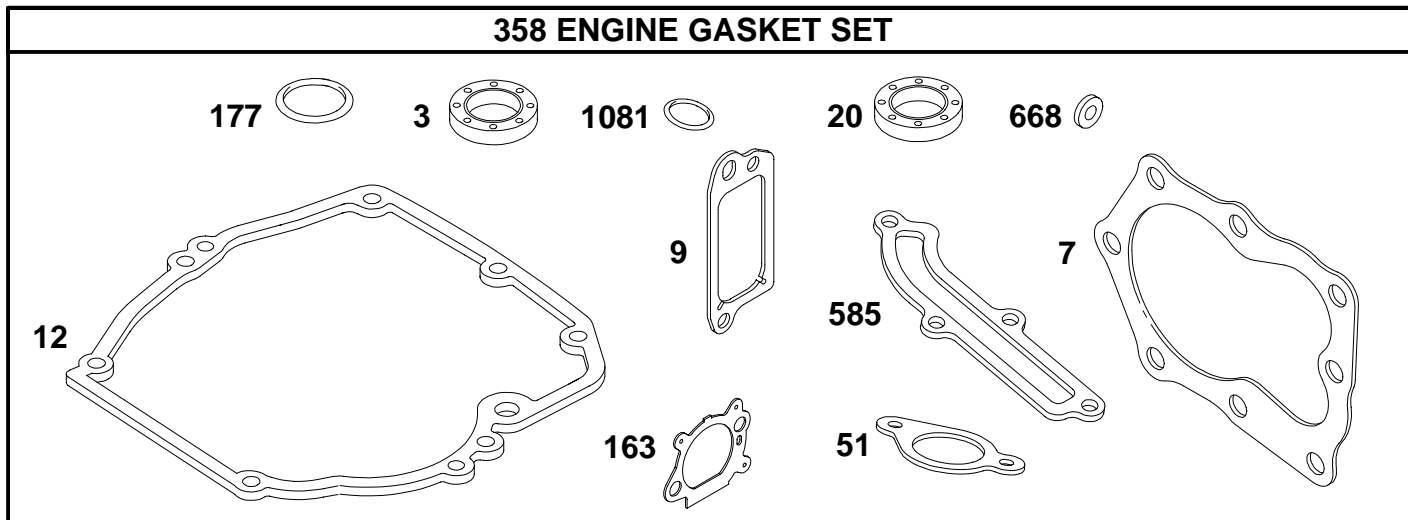
★ Included in Engine Gasket Set-Ref. No. 358.

● Included in Carburetor Overhaul Kit-Ref. No. 121.

◆ Included in Carburetor Gasket Set-Ref. No. 977.

∅ Included in Valve Overhaul Gasket Set-Ref. No. 1095.

12T800 to 12T899



REF. NO.	PART NO.	DESCRIPTION	REF. NO.	PART NO.	DESCRIPTION	REF. NO.	PART NO.	DESCRIPTION
	3 ★299819	Oil Seal (Magneto Side)		127 ●223749	Welch Plug		668 ★493823	Spacer (Includes 2)
	7 ★∅272916	Cylinder Head Gasket		134 ●398188	Needle/Seat Kit		708 ●●691321	Dust Seal (Throttle Shaft)
	9 ★∅272481	Breather Gasket		137 ●●280492	Float Bowl Gasket			Note
	12 ★272198	Crankcase Gasket		163 ★●●272653	Air Cleaner Gasket			●●691321 Dust Seal (Choke Shaft)
	20 ★399781	Oil Seal (PTO Side)		177 ★280393	O-Ring Seal (Dipstick)		977 498261	Carburetor Gasket Set
	51 ★272199	Intake Gasket		276 ●●271716	Sealing Washer		1081 ★280966	O-Ring Seal (Dipstick Tube)
	94 ●493765	Idle Mixture Kit		358 497316	Engine Gasket Set		1095 498528	Valve Overhaul Gasket Set
	104 ●691242	Float Hinge Pin		585 ★272238	Breather Passage Gasket			
	121 498260	Carburetor Overhaul Kit		617 ●●270344	O-Ring Seal (Intake Manifold)			

★ Included in Engine Gasket Set—Ref. No. 358.
● Included in Carburetor Overhaul Kit—Ref. No. 121.

◆ Included in Carburetor Gasket Set—Ref. No. 977.
∅ Included in Valve Overhaul Gasket Set—Ref. No. 1095.