



Illustrated Parts List

Model Series

12U800

TYPE NUMBERS
0633 through 3119.

TABLE OF CONTENTS

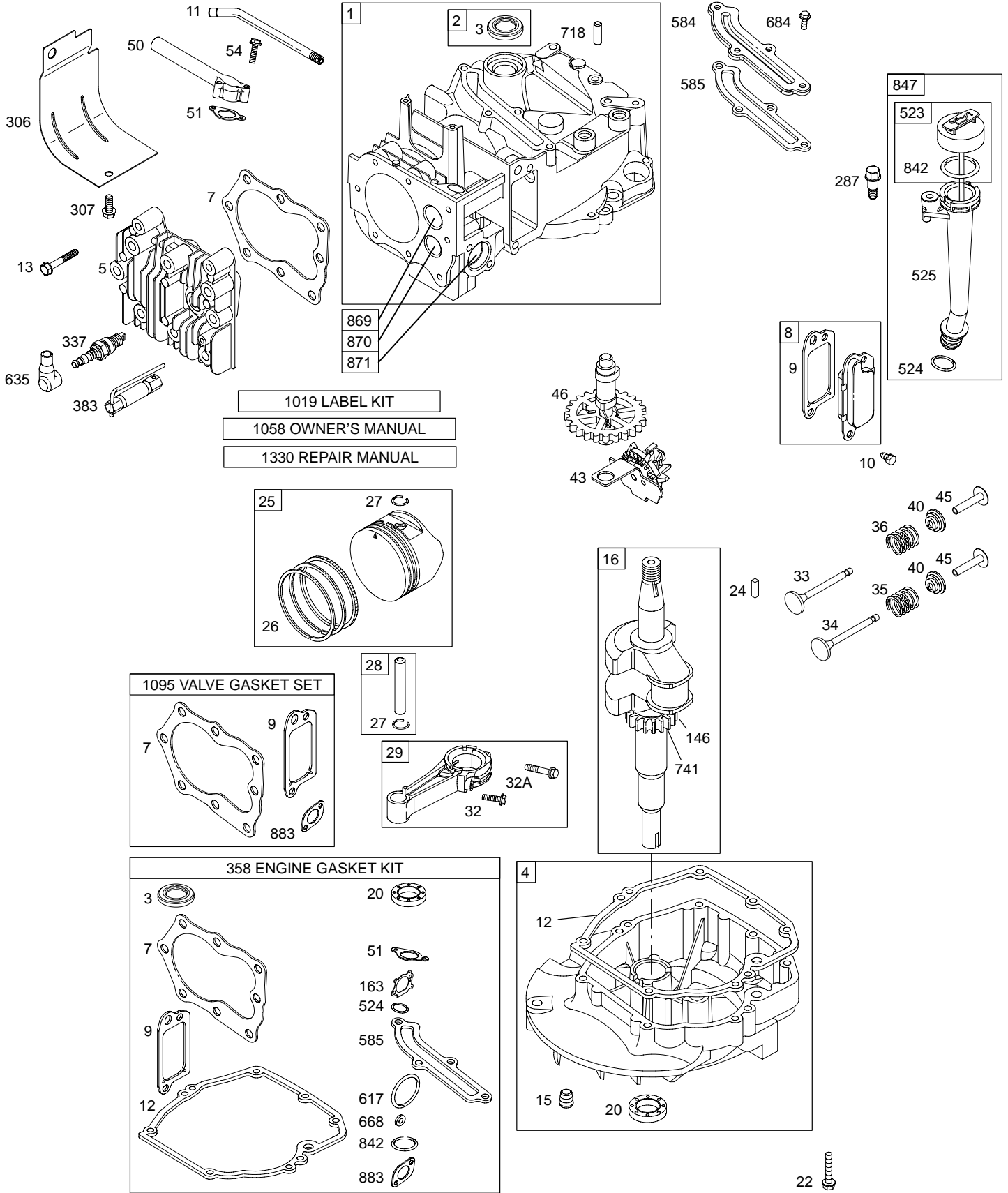
Air Cleaner	4
Blower Housing/Shrouds	5
Camshaft	2
Carburetor	3
Controls	4
Crankshaft	2
Cylinder	2
Electrical	4
Engine Sump	2
Exhaust System	4
Flywheel	5
Flywheel Brake	4
Fuel Supply	3
Governor Spring	4
Ignition	4
Kits/Gaskets	2 & 3
Oil	2
Piston Group	2
Rewind Starter	5
Valves	2



PRINTED IN U.S.A.

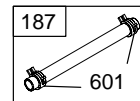
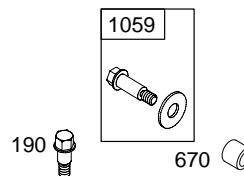
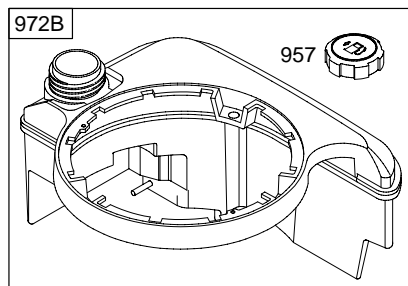
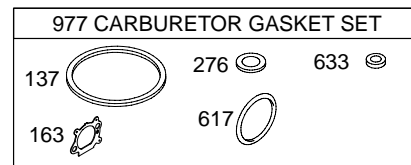
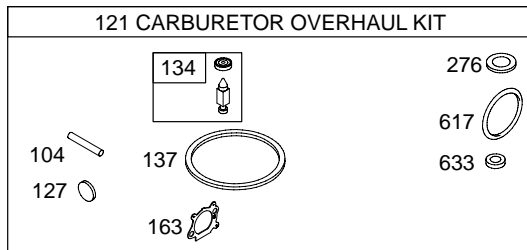
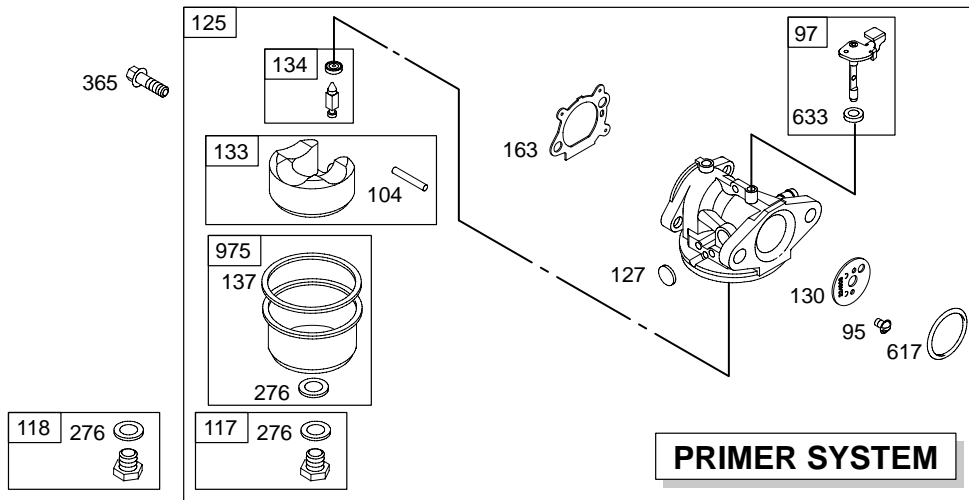
COPYRIGHT by BRIGGS & STRATTON CORPORATION
All rights reserved. No part of this material may be reproduced or transmitted, in any form or by any means, electronic or mechanical, including photocopying, recording or by any information storage and retrieval system, without permission in writing from Briggs & Stratton Corporation.

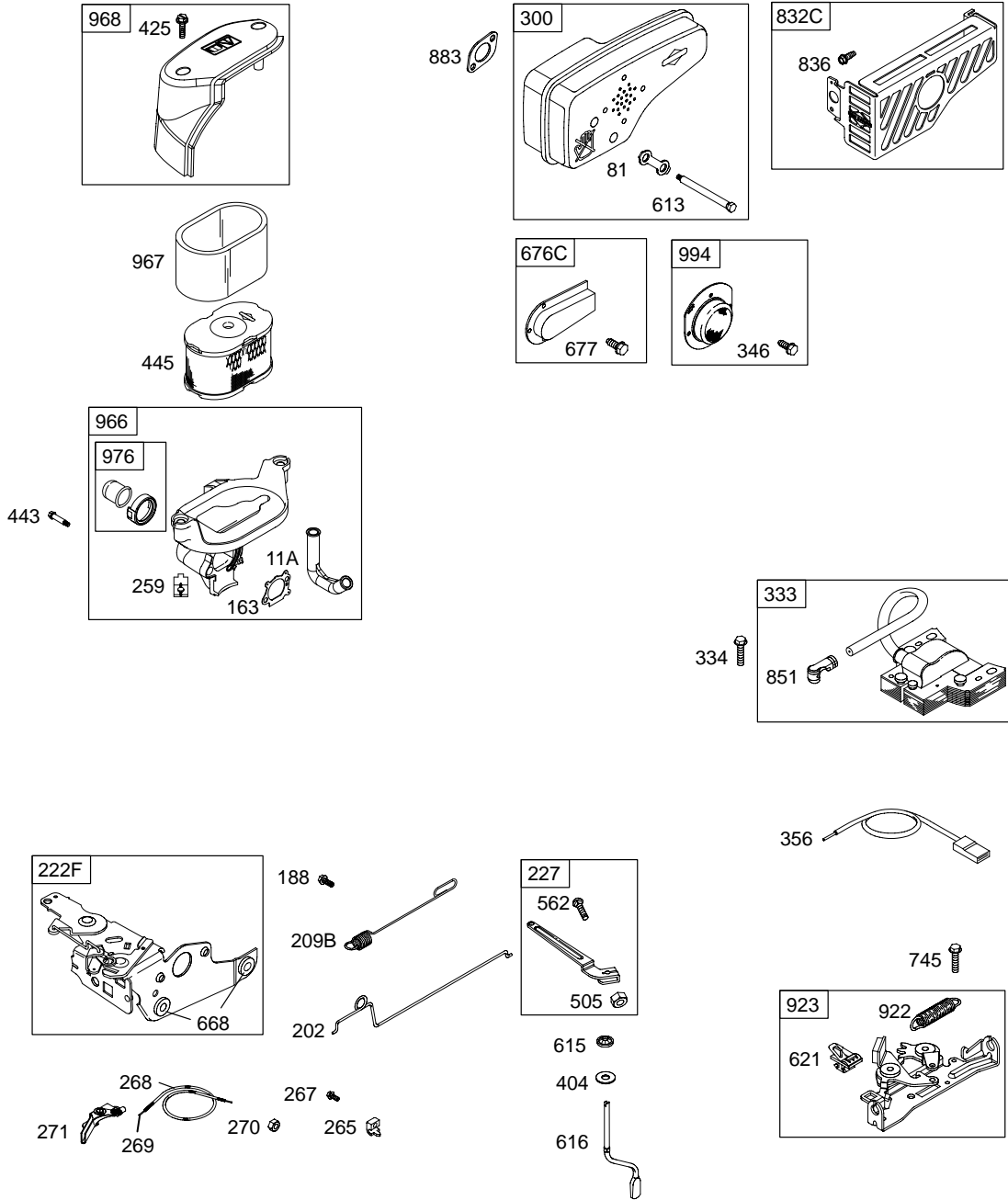
12U800

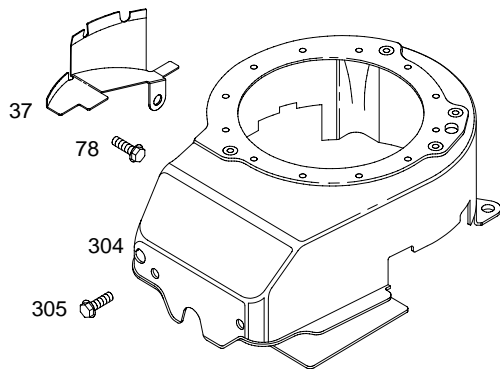
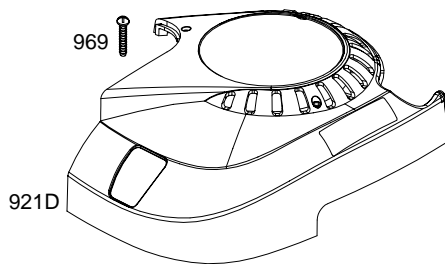
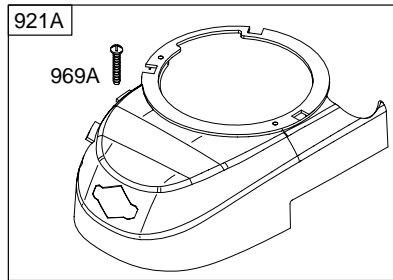
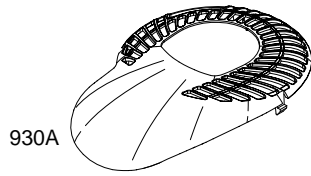


1019 LABEL KIT
 1058 OWNER'S MANUAL
 1330 REPAIR MANUAL

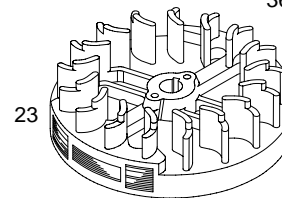
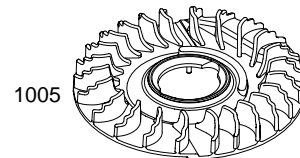
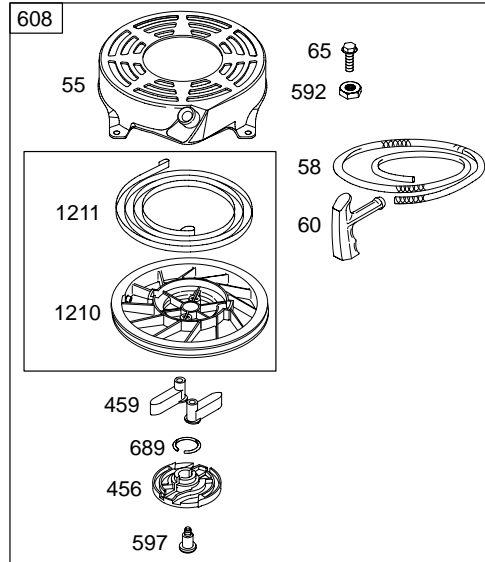
Illustrations cover a range of engines. Parts shown without corresponding text may not be used on your specific engine.
 0989-2 Assemblies include all parts shown in frames. 09/28/2004







1036 EMISSION LABEL



12U800

REF. NO.	PART NO.	DESCRIPTION	REF. NO.	PART NO.	DESCRIPTION	REF. NO.	PART NO.	DESCRIPTION
1	697322	Cylinder Assembly	16	691451	Crankshaft (Used After Code Date 97011200).	25	790359	Piston Assembly (Standard) (Used After Code Date 04031400).
2	399269	Kit-Bushing/Seal (Magneto Side)			Used on Type No(s). 1176.			Note
3	★299819	Seal-Oil (Magneto Side)			Note			499429 Piston Assembly (Standard) (Used After Code Date 97011200 and Before Code Date 04031500).
4	493279	Sump-Engine			694442 Crankshaft (Used Before Code Date 97011300).			493262 Piston Assembly (Standard) (Used Before Code Date 97011300).
5	691160	Head-Cylinder			Used on Type No(s). 1176.			499430 Piston Assembly (.010" Oversize) (Used After Code Date 97011200).
7	★Ø692249	Gasket-Cylinder Head			692981 Crankshaft (Used After Code Date 97011200).			493385 Piston Assembly (.010" Oversize) (Used Before Code Date 97011300).
8	695250	Breather Assembly			Used on Type No(s). 0633, 1733.			499431 Piston Assembly (.020" Oversize) (Used After Code Date 97011200).
9	★Ø272481	Gasket-Breather			692028 Crankshaft (Used Before Code Date 97011300).			493386 Piston Assembly (.020" Oversize) (Used Before Code Date 97011300).
10	691125	Screw (Breather Assembly)			Used on Type No(s). 0633.			499432 Piston Assembly (.030" Oversize) (Used After Code Date 97011200).
11	691781	Tube-Breather			694079 Crankshaft Used on Type No(s). 1740.			493387 Piston Assembly (.030" Oversize) (Used Before Code Date 97011300).
11A	691934	Tube-Breather			692994 Crankshaft Used on Type No(s). 0639, 1739, 3119.			
12	★692232	Gasket-Crankcase	20	★399781	Seal-Oil (PTO Side)			
13	690912	Screw (Cylinder Head)	22	691092	Screw (Crankcase Cover/Sump)			
15	691680	Plug-Oil Drain (Square Socket)	23	692315	Flywheel (Rewind Start)			
			24	222698	Key-Flywheel			

★ Included in Engine Gasket Set-Ref. No.358.

● Included in Carburetor Overhaul Kit-Ref. No. 121.

◆ Included in Carburetor Gasket Set-Ref. No. 977.

Ø Included in Valve Gasket Set-Ref. No 1095.

Illustrations cover a range of engines. Parts shown without corresponding text may not be used on your specific engine.

0989-6

Assemblies include all parts shown in frames.

09/28/2004

REF. NO.	PART NO.	DESCRIPTION	REF. NO.	PART NO.	DESCRIPTION	REF. NO.	PART NO.	DESCRIPTION						
26	790360	Ring Set (Standard) (Used After Code Date 04031400).	27	691866	Lock-Piston Pin (Used After Code Date 97011200).	33	262651	Valve-Exhaust						
		Note _____							34	262652	Valve-Intake			
		499425 Ring Set (Standard) (Used After Code Date 97011200 and Before Code Date 04031500).							35	691270	Spring-Valve (Intake)			
		493261 Ring Set (Standard) (Used Before Code Date 97011300).							36	691270	Spring-Valve (Exhaust)			
		499426 Ring Set (.010" Oversize) (Used After Code Date 97011200).							37	694086	Guard-Flywheel			
		493388 Ring Set (.010" Oversize) (Used Before Code Date 97011300).			28			499423	Pin-Piston (Standard) (Used After Code Date 97011200).			40	692194	Retainer-Valve
		499427 Ring Set (.020" Oversize) (Used After Code Date 97011200).									43	691997	Slinger-Governor/Oil	
		493389 Ring Set (.020" Oversize) (Used Before Code Date 97011300).							45	690548	Tappet-Valve	46	691449	Camshaft (Used After Code Date 96060200).
		499428 Ring Set (.030" Oversize) (Used After Code Date 97011200).							46					Note _____
		493390 Ring Set (.030" Oversize) (Used Before Code Date 97011300).			29			499424	298909 Pin-Piston (Standard) (Used Before Code Date 97011300).			50	497465	Manifold-Intake
			51	*272199		Gasket-Intake								
			298908 Pin-Piston (.005" Oversize) (Used Before Code Date 97011300).			54	691650	Screw (Intake Manifold)						
			490743 Rod-Connecting (Standard) (Used After Code Date 97011200).			55	691421	Housing-Rewind Starter						
			490566 Rod-Connecting (Standard) (Used Before Code Date 97011300).			58	697316	Rope-Starter (Cut To Required Length)						
			490743 Rod-Connecting (.020" Undersize) (Used Before Code Date 97011300).			60	281434	Grip-Starter Rope						
			32	691664	Screw (Connecting Rod)	65	690837	Screw (Rewind Starter)						
			32A	695759	Screw (Connecting Rod) (Used After Code Date 00042200).	78	691108	Screw (Flywheel Guard)						
						81	691740	Lock-Muffler Screw						
						95	691636	Screw (Throttle Valve)						
						97	493267	Shaft-Throttle (Metal)						
								Note _____						
								696565 Shaft-Throttle (Plastic)						
						104	●691242	Pin-Float Hinge						

★ Included in Engine Gasket Set-Ref. No.358.

● Included in Carburetor Overhaul Kit-Ref. No. 121.

◆ Included in Carburetor Gasket Set-Ref. No. 977.

∅ Included in Valve Gasket Set-Ref. No 1095.

Illustrations cover a range of engines. Parts shown without corresponding text may not be used on your specific engine.

12U800

REF. NO.	PART NO.	DESCRIPTION	REF. NO.	PART NO.	DESCRIPTION	REF. NO.	PART NO.	DESCRIPTION
117	494870	Jet–Main (Standard) (Used After Code Date 02092900). Note ——— 498975 Jet–Main (Standard) (Used After Code Date 96060200 and Before Code Date 02093000). 497466 Jet–Main (Standard) (Used Before Code Date 96060300). (Used Before Code Date 96060300).	134	●398188	Kit–Needle/Seat	276	●◆271716	Washer–Sealing
118	497315	Jet–Main (High Altitude) (Used After Code Date 02092900). Note ——— 496495 Jet–Main (High Altitude) (Used Before Code Date 02093000).	137	◆◆693981	Gasket–Float Bowl	287	690940	Screw (Dipstick Tube)
121	498260	Kit–Carburetor Overhaul	146	690979	Key–Timing	300	496106	Muffler
125	698444	Carburetor (Used After Code Date 96060200). Note ——— 498254 Carburetor (Used Before Code Date 96060300).	163	★◆272653	Gasket–Air Cleaner	304	493293	Housing–Blower
127	●694468	Plug–Welch	187	691050	Line–Fuel (Cut to Required Length)	305	691108	Screw (Blower Housing)
130	691203	Valve–Throttle Note ——— 696564 Valve–Throttle (Used With Plastic Throttle Shaft)	188	690877	Screw (Control Bracket)	306	690450	Shield–Cylinder
133	398187	Float–Carburetor	190	690940	Screw (Fuel Tank)	307	690345	Screw (Cylinder Shield)
			202	691829	Link–Mechanical Governor	332	690662	Nut (Flywheel)
			209B	699056	Spring–Governor Note ——— 691852 Spring– Governor Used on Type No(s). 0639, 1739. 691292 Spring– Governor Used on Type No(s). 0633, 1733.	333	802574	Armature–Magneto
			222F	691436	Bracket–Control (Compliance)	334	691061	Screw (Magneto Armature)
			227	690783	Lever–Governor Control	337	802592	Plug–Spark
			259	691189	Bracket–Casing Clamp	346	690661	Screw (Spark Arrestor)
			265	690798	Clamp–Casing	356	692390	Wire–Stop
			267	691044	Screw (Casing Clamp)	358	497316	Gasket Set–Engine
			268	691072	Casing–Control Wire (Cut To Required Length)	363	19069	Puller–Flywheel
			269	691589	Wire–Control (Cut To Required Length)	365	692524	Screw (Carburetor)
			270	691027	Nut (Control Wire Casing)	383	89838	Wrench–Spark Plug
			271	691028	Lever–Control	404	690272	Washer (Governor Crank)
						425	691671	Screw (Air Cleaner Cover)
						443	690349	Screw (Air Cleaner Primer- Base)
						445	497725	Filter–Air Cleaner Cartridge
						455	695161	Cup–Flywheel
						456	692299	Plate–Pawl Friction
						459	281505	Pawl–Ratchet
						505	691251	Nut (Governor Control Lever)
						523	495264	Dipstick

★ Included in Engine Gasket Set–Ref. No.358.

● Included in Carburetor Overhaul Kit–Ref. No. 121.

◆ Included in Carburetor Gasket Set–Ref. No. 977.

Ø Included in Valve Gasket Set–Ref. No 1095.

Illustrations cover a range of engines. Parts shown without corresponding text may not be used on your specific engine.

0989–8

Assemblies include all parts shown in frames.

09/28/2004

REF. NO.	PART NO.	DESCRIPTION	REF. NO.	PART NO.	DESCRIPTION	REF. NO.	PART NO.	DESCRIPTION
524	★692296	Seal-Dipstick/Tube	741	790345	Gear-Timing (Use Without Woodruff Key)	969	690700	Screw (Blower Housing Cover)
525	495265	Tube-Dipstick			————— Note —————	969A	691138	Screw (Blower Housing Cover)
562	92613	Bolt (Governor Control Lever)			691830 Gear-Timing (Uses Woodruff Key)			
584	697734	Cover-Breather Passage	745	691648	Screw (Brake)	972B	693377	Tank-Fuel (Plastic)
585	★691879	Gasket-Breather Passage	832C	691442	Guard-Muffler (Yardman Guard)	975	493640	Bowl-Float
592	690800	Nut (Rewind Starter)	836	690664	Screw (Muffler Guard)	976	694395	Primer-Carburetor
597	691696	Screw (Pawl Friction Plate)	842	★691031	Seal-O Ring (Dipstick Tube)	977	498261	Gasket Set-Carburetor
601	95162	Clamp-Hose (Green)	847	692017	Dipstick/Tube Assembly	994	398067	Arrestor-Spark
608	497680	Starter-Rewind	851	493880	Terminal-Spark Plug	1005	691346	Fan-Flywheel
613	691340	Screw (Muffler)	869	691155	Seat-Valve (Intake)	1019	494256	Label Kit
615	690340	Retainer-Governor Shaft	870	690380	Seat-Valve (Exhaust)	1036	790412	Label-Emission (Used After Code Date 04063000).
616	698801	Crank-Governor	871	262001	Guide-Valve Bushing (Exhaust)			————— Note —————
617	◆♦270344	Seal-O Ring (Intake Manifold)			63709 Guide-Valve Bushing (Intake)			695111 Label-Emission (Used After Code Date 99093000 and Before Code Date 04070100).
621	692310	Switch-Stop	883	★∅691881	Gasket-Exhaust			694458 Label-Emission (Used After Code Date 98123100 and Before Code Date 99100100).
633	◆♦691321	Seal-Choke/Throttle Shaft (Throttle)	921A	695886	Cover-Blower Housing			499341 Label-Emission (Used Before Code Date 99010100).
635	66538	Boot-Spark Plug	921D	691339	Cover-Blower Housing (Use With 1.6 Quart Modular Tank)			
668	★493823	Spacer (Includes 2)	922	691831	Spring-Brake	1058	275177	Owner's Manual
670	692294	Spacer-Fuel Tank	923	691994	Brake	1059	692311	Kit-Screw/Washer
676C	493871	Deflector-Muffler (Side Out) (Extended)	930A	691345	Guard-Rewind (Teardrop)(Satin Black)	1095	498528	Gasket Set-Valve
677	690661	Screw (Muffler Deflector)	957	397974	Cap-Fuel Tank (Plastic)	1210	498144	Pulley/Spring Assembly (Pulley)
684	690345	Screw (Breather Passage Cover)	966	691439	Base-Air Cleaner Primer	1211	498144	Pulley/Spring Assembly (Spring)
689	691855	Spring-Friction	967	273185	Filter-Pre Cleaner	1330	270962	Manual-Repair
718	690959	Pin-Locking	968	498997	Cover-Air Cleaner			

★ Included in Engine Gasket Set-Ref. No.358.

● Included in Carburetor Overhaul Kit-Ref. No. 121.

◆ Included in Carburetor Gasket Set-Ref. No. 977.

∅ Included in Valve Gasket Set-Ref. No 1095.

Illustrations cover a range of engines. Parts shown without corresponding text may not be used on your specific engine.