

12V800

Illustrated Parts List

Model Series

12V800

TYPE NUMBERS
0109 through 3118.

TABLE OF CONTENTS

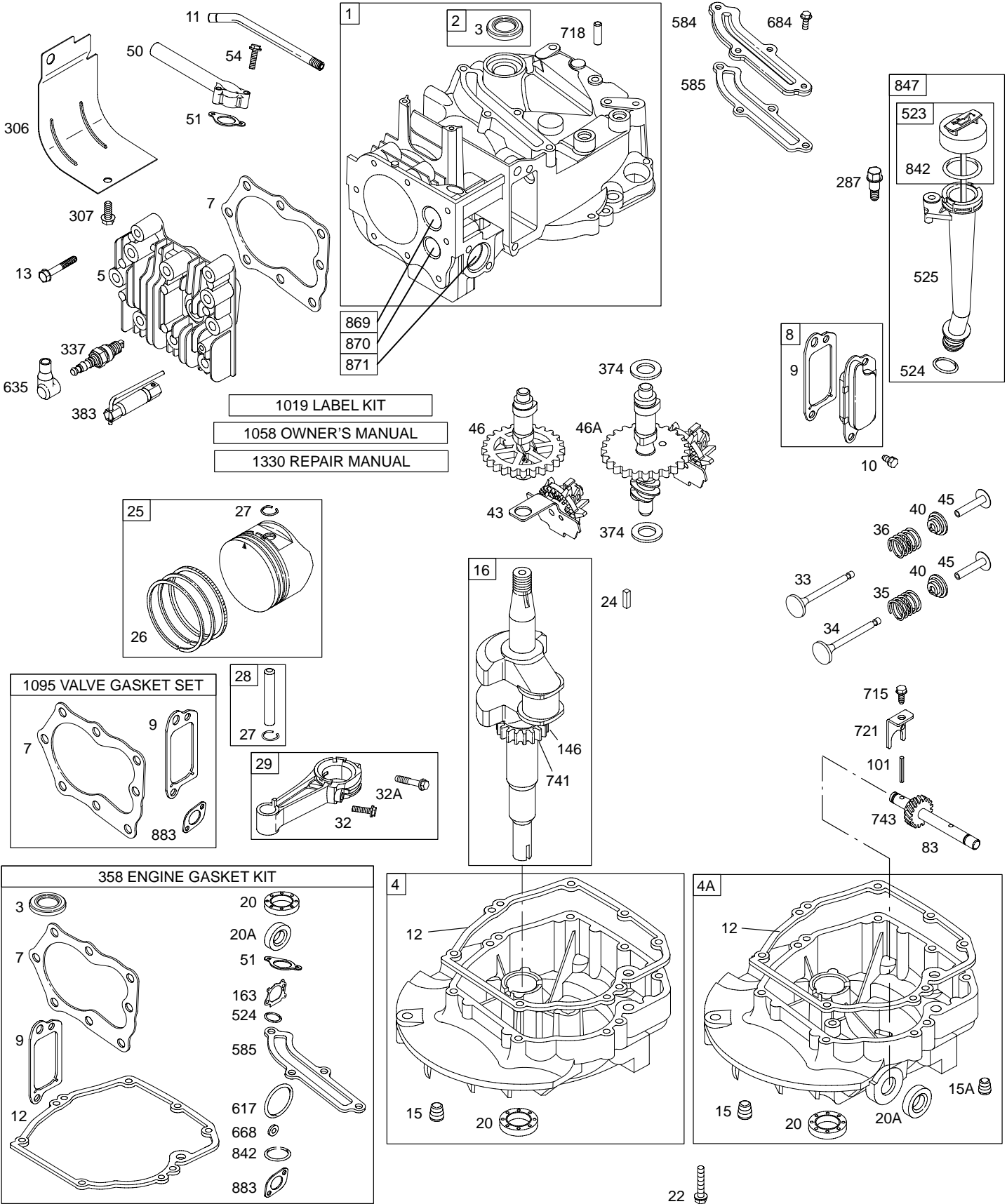
Alternator	6
Air Cleaner	4
Blower Housing/Shrouds	5
Camshaft	2
Carburetor	3
Controls	4
Crankshaft	2
Cylinder	2
Electric Starter	6
Electrical	6
Engine Sump	2
Exhaust System	4
Flywheel	5
Flywheel Brake	6
Fuel Supply	3
Governor Spring	4
Ignition	6
Kits/Gaskets	2 & 3
Lubrication	2
Piston Group	2
Rewind Starter	5
Valves	2



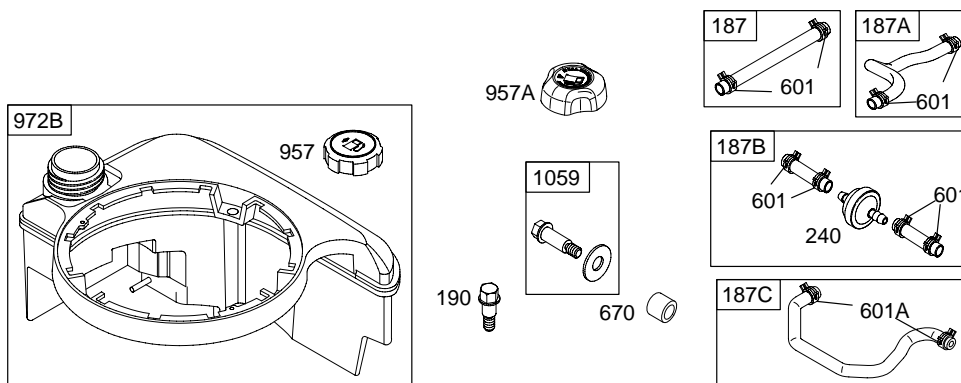
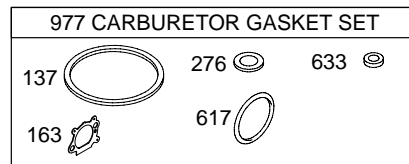
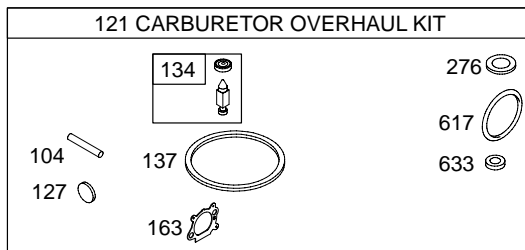
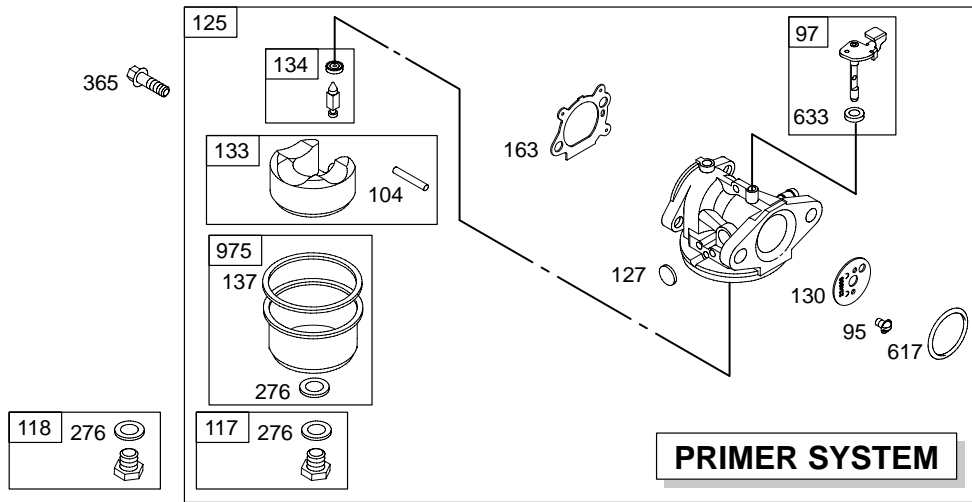
PRINTED IN U.S.A.

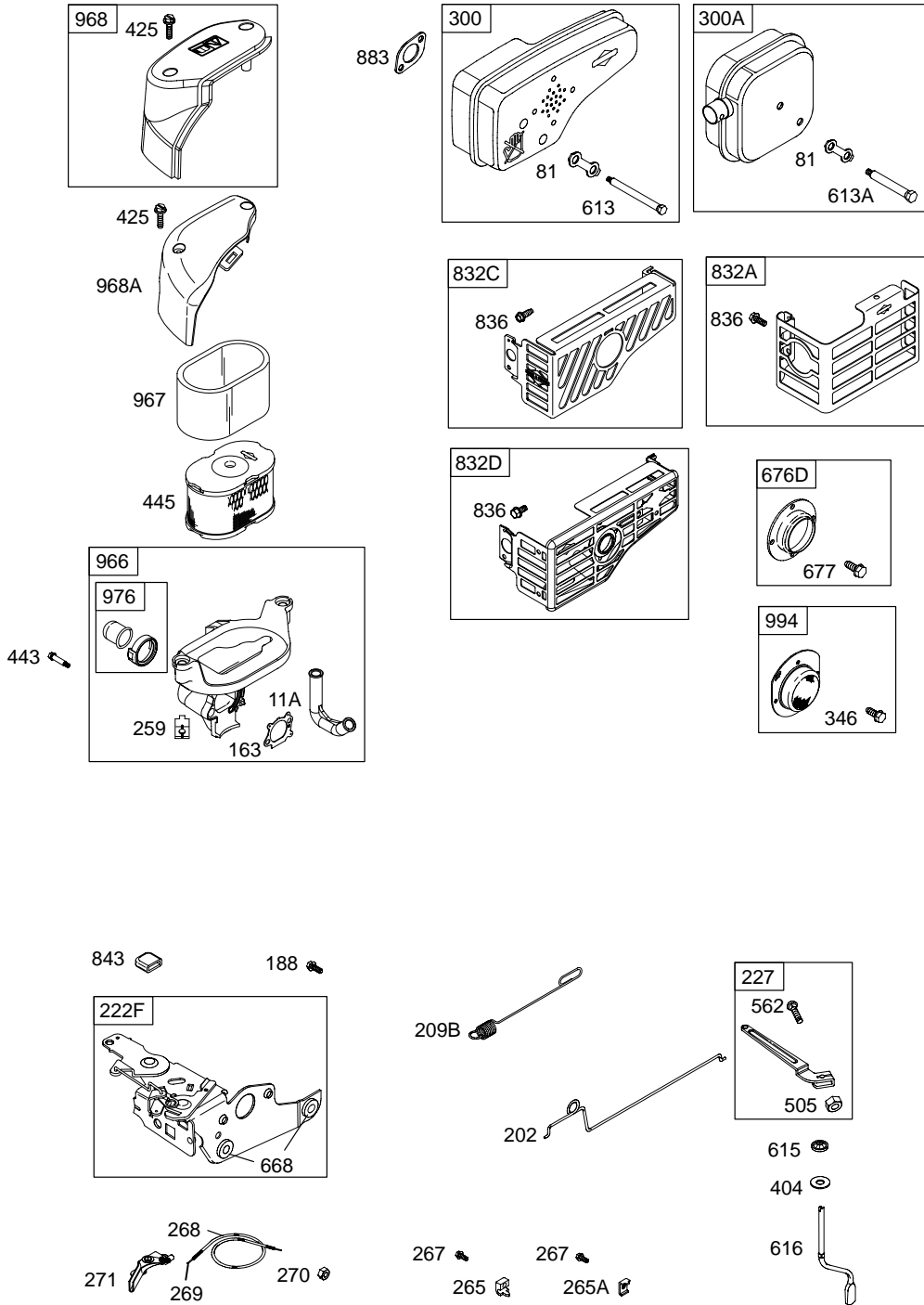
COPYRIGHT by BRIGGS & STRATTON CORPORATION
All rights reserved. No part of this material may be reproduced or transmitted, in any form or by any means, electronic or mechanical, including photocopying, recording or by any information storage and retrieval system, without permission in writing from Briggs & Stratton Corporation.

12V800

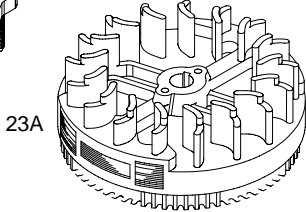
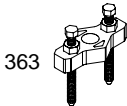
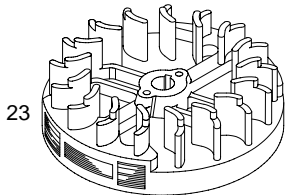
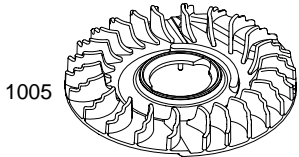
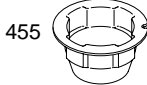
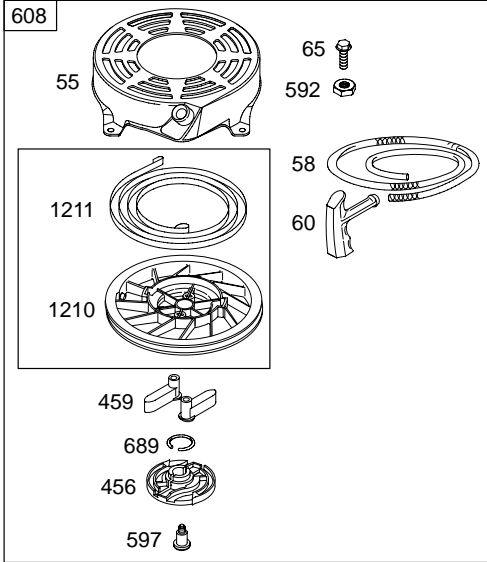
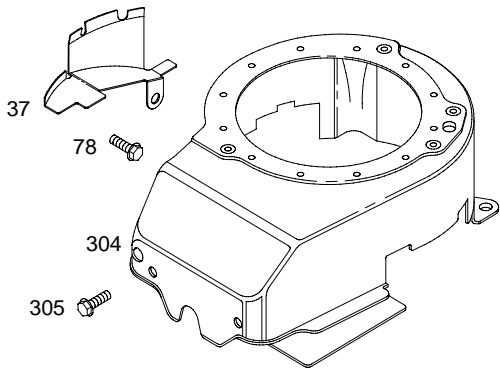
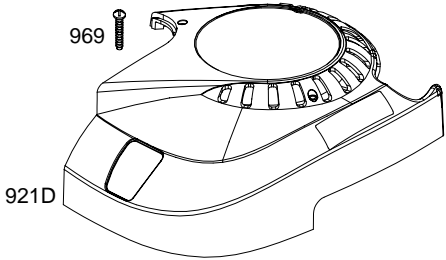
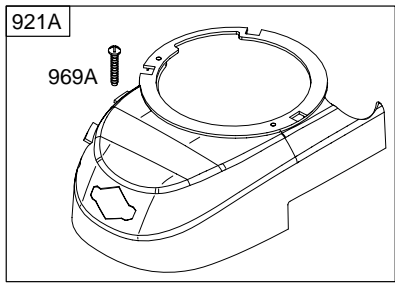
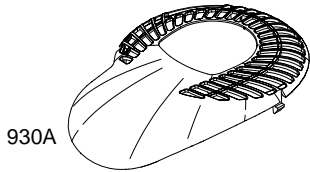


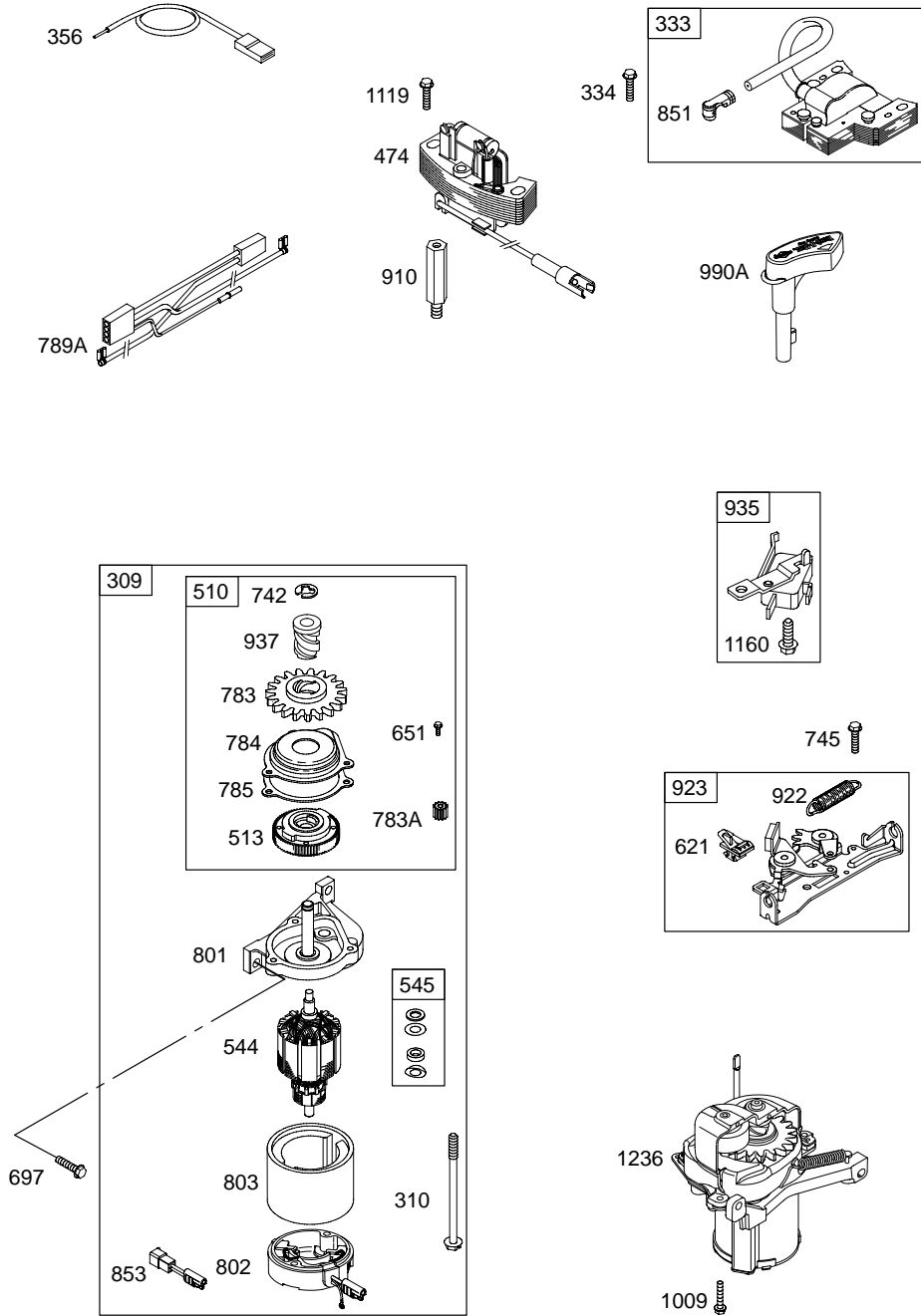
Illustrations cover a range of engines. Parts shown without corresponding text may not be used on your specific engine.
 0875-2 Assemblies include all parts shown in frames. 09/28/2004





Illustrations cover a range of engines. Parts shown without corresponding text may not be used on your specific engine.
0875-4 Assemblies include all parts shown in frames. **09/28/2004**





Illustrations cover a range of engines. Parts shown without corresponding text may not be used on your specific engine.
0875-6 Assemblies include all parts shown in frames. 09/28/2004

REF. NO.	PART NO.	DESCRIPTION	REF. NO.	PART NO.	DESCRIPTION	REF. NO.	PART NO.	DESCRIPTION
1	697322	Cylinder Assembly	16	691451	Crankshaft (Used After Code Date 97011200).		691454	Crankshaft (Used After Code Date 97011200).
2	399269	Kit-Bushing/Seal (Magneto Side)			Note			Used on Type No(s). 0182.
3	★299819	Seal-Oil (Magneto Side)			694442 Crankshaft (Used Before Code Date 97011300).		692000	Crankshaft (Used Before Code Date 97011300).
4	493279	Sump-Engine Note 696294 Sump-Engine Used on Type No(s). 1783.			691452 Crankshaft (Used After Code Date 97011200).			Used on Type No(s). 0182.
4A	493365	Sump-Engine (Auxiliary PTO)			Used on Type No(s). 0630, 0631, 0666, 0668, 1085, 1766, 1767, 1777, 1778, 1779, 1780.		692994	Crankshaft (Used After Code Date 97011200).
5	691160	Head-Cylinder			694059 Crankshaft (Used Before Code Date 97011300).			Used on Type No(s). 0625, 1741, 3118.
7	★∅692249	Gasket-Cylinder Head			Used on Type No(s). 0630, 0631, 0666, 0668.			498878 Crankshaft (Used Before Code Date 97011300).
8	695250	Breather Assembly						Used on Type No(s). 1741.
9	★∅272481	Gasket-Breather			691450 Crankshaft (Used After Code Date 97011200).		691455	Crankshaft Used on Type No(s). 1092.
10	691125	Screw (Breather Assembly)			Used on Type No(s). 0109, 0180, 0181, 0183, 0191, 1081, 1091.			
11	691781	Tube-Breather			694440 Crankshaft (Used Before Code Date 97011300).			
11A	691934	Tube-Breather			Used on Type No(s). 0109, 0180, 0181, 0183.			
12	★692232	Gasket-Crankcase						
13	690912	Screw (Cylinder Head)						
15	691680	Plug-Oil Drain (Square Socket)						
15A	691093	Plug-Oil Drain (Hex Socket)						

★ Included in Engine Gasket Set-Ref. No.358.

● Included in Carburetor Overhaul Kit-Ref. No. 121.

◆ Included in Carburetor Gasket Set-Ref. No. 977.

∅ Included in Valve Gasket Set-Ref. No 1095.

Illustrations cover a range of engines. Parts shown without corresponding text may not be used on your specific engine.

12V800

REF. NO.	PART NO.	DESCRIPTION	REF. NO.	PART NO.	DESCRIPTION	REF. NO.	PART NO.	DESCRIPTION
20	★399781	Seal–Oil (PTO Side)	25	790359	Piston Assembly (Standard) (Used After Code Date 04031400).	26	790360	Ring Set (Standard) (Used After Code Date 04031400).
20A	★691952	Seal–Oil (PTO Side) (Auxiliary PTO)			Note			Note
22	691092	Screw (Crankcase Cover/Sump)		499429	Piston Assembly (Standard) (Used After Code Date 97011200 and Before Code Date 04031500).		499425	Ring Set (Standard) (Used After Code Date 97011200 and Before Code Date 04031500).
23	692315	Flywheel (Rewind Start)		493262	Piston Assembly (Standard) (Used Before Code Date 97011300).		493261	Ring Set (Standard) (Used Before Code Date 97011300).
23A	691987	Flywheel (Electric Start)						
		Note						
		691992 Flywheel (Electric Start) Used on Type No(s). 0667, 0668, 1731, 1734, 1767.		499430	Piston Assembly (.010" Oversize) (Used After Code Date 97011200).		499426	Ring Set (.010" Oversize) (Used After Code Date 97011200).
		696291 Flywheel Used on Type No(s). 1783.		493385	Piston Assembly (.010" Oversize) (Used Before Code Date 97011300).		493388	Ring Set (.010" Oversize) (Used Before Code Date 97011300).
24	222698	Key–Flywheel					499427	Ring Set (.020" Oversize) (Used After Code Date 97011200).
				499431	Piston Assembly (.020" Oversize) (Used After Code Date 97011200).		493389	Ring Set (.020" Oversize) (Used Before Code Date 97011300).
				493386	Piston Assembly (.020" Oversize) (Used Before Code Date 97011300).		499428	Ring Set (.030" Oversize) (Used After Code Date 97011200).
				499432	Piston Assembly (.030" Oversize) (Used After Code Date 97011200).		493390	Ring Set (.030" Oversize) (Used Before Code Date 97011300).
				493387	Piston Assembly (.030" Oversize) (Used Before Code Date 97011300).	27	691866	Lock–Piston Pin (Used After Code Date 97011200).
								Note
							691588	Lock–Piston Pin (Used Before Code Date 97011300).

★ Included in Engine Gasket Set–Ref. No.358.

● Included in Carburetor Overhaul Kit–Ref. No. 121.

◆ Included in Carburetor Gasket Set–Ref. No. 977.

⊘ Included in Valve Gasket Set–Ref. No 1095.

Illustrations cover a range of engines. Parts shown without corresponding text may not be used on your specific engine.

0875–8

Assemblies include all parts shown in frames.

09/28/2004

REF. NO.	PART NO.	DESCRIPTION	REF. NO.	PART NO.	DESCRIPTION	REF. NO.	PART NO.	DESCRIPTION
28	499423	Pin-Piston (Standard) (Used After Code Date 97011200). Note _____ 298909 Pin-Piston (Standard) (Used Before Code Date 97011300). 298908 Pin-Piston (.005" Oversize) (Used Before Code Date 97011300).	45	690548	Tappet-Valve	117	494870	Jet-Main (Standard) (Used After Code Date 02092900). Note _____ 498975 Jet-Main (Standard) (Used After Code Date 96060200 and Before Code Date 02093000). 497466 Jet-Main (Standard) (Used After Code Date 95102900 and Before Code Date 96060300). 494870 Jet-Main (Standard) (Used Before Code Date 95103000).
29	499424	Rod-Connecting (Standard) (Used After Code Date 97011200). Note _____ 490566 Rod-Connecting (Standard) (Used Before Code Date 97011300). 490743 Rod-Connecting (.020" Undersize) (Used Before Code Date 97011300).	46	691449	Camshaft (Used After Code Date 96060200). Note _____ 492830 Camshaft (Used Before Code Date 96060300).	118	497315	Jet-Main (High Altitude) (Used After Code Date 02092900). Note _____ 497348 Jet-Main (High Altitude) (Used After Code Date 96060200 and Before Code Date 02093000). 497315 Jet-Main (High Altitude) (Used Before Code Date 95103000).
32	691664	Screw (Connecting Rod)	46A	691459	Camshaft (Counterclockwise) (Used After Code Date 96060200). Note _____ 493738 Camshaft (Counterclockwise) (Used Before Code Date 96060300).	121	498260	Kit-Carburetor Overhaul
32A	695759	Screw (Connecting Rod) (Used After Code Date 00042200).	50	497465	Manifold-Intake	125	698444	Carburetor (Used After Code Date 96060200). Note _____ 498254 Carburetor (Used Before Code Date 96060300).
33	262651	Valve-Exhaust	51	★272199	Gasket-Intake	127	●694468	Plug-Welch
34	262652	Valve-Intake	54	691650	Screw (Intake Manifold)			
35	691270	Spring-Valve (Intake)	55	691421	Housing-Rewind Starter			
36	691270	Spring-Valve (Exhaust)	58	697316	Rope-Starter (Cut To Required Length)			
37	694086	Guard-Flywheel	60	281434	Grip-Starter Rope			
40	692194	Retainer-Valve	65	690837	Screw (Rewind Starter)			
43	691997	Slinger-Governor/Oil	78	691108	Screw (Flywheel Guard)			
			81	691740	Lock-Muffler Screw			
			83	691778	Shaft-Auxiliary Drive			
			95	691636	Screw (Throttle Valve)			
			97	493267	Shaft-Throttle (Metal) Note _____ 696565 Shaft-Throttle (Plastic)			
			101	691623	Pin-Shaft			
			104	●691242	Pin-Float Hinge			

★ Included in Engine Gasket Set-Ref. No.358.

● Included in Carburetor Overhaul Kit-Ref. No. 121.

◆ Included in Carburetor Gasket Set-Ref. No. 977.

∅ Included in Valve Gasket Set-Ref. No 1095.

Illustrations cover a range of engines. Parts shown without corresponding text may not be used on your specific engine.

12V800

REF. NO.	PART NO.	DESCRIPTION	REF. NO.	PART NO.	DESCRIPTION	REF. NO.	PART NO.	DESCRIPTION
130	691203	Valve—Throttle —— Note —— 696564 Valve—Throttle (Used With Plastic Throttle Shaft)	222F	691436	Bracket—Control (Remote/Manual Friction) (Compliance) —— Note —— 698163 Bracket— Control Used on Type No(s). 1738.	305	691108	Screw (Blower Housing)
133	398187	Float—Carburetor	227	690783	Lever—Governor Control	306	690450	Shield—Cylinder
134	●398188	Kit—Needle/Seat	240	298090	Filter—Fuel	307	690345	Screw (Cylinder Shield)
137	●●693981	Gasket—Float Bowl	259	691189	Bracket—Casing Clamp	309	695550	Motor—Starter
146	690979	Key—Timing	265	690798	Clamp—Casing	310	692327	Bolt (Starter Motor)
163★●●272653		Gasket—Air Cleaner	265A	691024	Clamp—Casing	332	690662	Nut (Flywheel)
187	691050	Line—Fuel (Cut To Required Length)	267	691044	Screw (Casing Clamp)	333	802574	Armature—Magneto
187A	691371	Fuel Line (Molded)	268	691072	Casing—Control Wire (Cut To Required Length)	334	691061	Screw (Magneto Armature)
187B	692042	Line—Fuel (Includes Filter)	269	691589	Wire—Control (Cut To Required Length)	337	802592	Plug—Spark
187C	696292	Fuel Line (Molded) Used on Type No(s). 1783.	270	691027	Nut (Control Wire Casing)	346	690661	Screw (Spark Arrestor)
188	690877	Screw (Control Bracket)	271	691028	Lever—Control	356	692390	Wire—Stop
190	690940	Screw (Fuel Tank)	276	●271716	Washer—Sealing	358	497316	Gasket Set—Engine
202	691829	Link—Mechanical Governor	287	690940	Screw (Dipstick Tube)	363	19069	Puller—Flywheel
209B	699056	Spring—Governor —— Note —— 691851 Spring— Governor Used on Type No(s). 0180, 0181, 0183, 0191, 0668, 1081, 1091, 1092. 691292 Spring— Governor Used on Type No(s). 0182, 0630, 0631, 0666, 0667, 1085, 1731, 1733, 1766, 1767, 1777. 691852 Spring— Governor Used on Type No(s). 1734.	300	692038	Muffler (Tuned)	365	692524	Screw (Carburetor)
			300A	494343	Muffler (Square Lo Tone)	374	691074	Washer (Camshaft)
			304	493293	Housing—Blower —— Note —— 493294 Housing— Blower Used on Type No(s). 0181, 0183, 0191, 0667, 0668, 1092, 1731, 1734. 695892 Housing— Blower Used on Type No(s). 1787, 1788. 696298 Housing— Blower Used on Type No(s). 1783.	383	89838	Wrench—Spark Plug
						404	690272	Washer (Governor Crank)
						425	691135	Screw (Air Cleaner Cover)
						443	690349	Screw (Air Cleaner Primer Base)
						445	497725	Filter—Air Cleaner Cartridge
						455	695161	Cup—Flywheel
						456	692299	Plate—Pawl Friction
						459	281505	Pawl—Ratchet
						474	691991	Alternator
						505	691251	Nut (Governor Control Lever)
						510	494147	Drive—Starter
						513	692358	Clutch—Drive
						523	495264	Dipstick
						524	★692296	Seal—Dipstick Tube
						525	495265	Tube—Dipstick
						544	690786	Armature—Starter

★ Included in Engine Gasket Set—Ref. No.358.

● Included in Carburetor Overhaul Kit—Ref. No. 121.

◆ Included in Carburetor Gasket Set—Ref. No. 977.

∅ Included in Valve Gasket Set—Ref. No 1095.

Illustrations cover a range of engines. Parts shown without corresponding text may not be used on your specific engine.

REF. NO.	PART NO.	DESCRIPTION	REF. NO.	PART NO.	DESCRIPTION	REF. NO.	PART NO.	DESCRIPTION
545	492919	Washer Set (Starter Motor)	697	691127	Screw (Drive Cap)	832A	691424	Guard-Muffler (Square Lo Tone)
562	92613	Bolt (Governor Control Lever)	715	691147	Screw (Stop Shaft)	832C	691442	Guard-Muffler (Yardman Guard)
584	697734	Cover-Breather Passage	718	690959	Pin-Locking	832D	499034	Guard-Muffler (Used with Super Lo Tone Muffler Tuned)
585	★691879	Gasket-Breather Passage	721	690449	Stop-Shaft	836	690664	Screw (Muffler Guard)
592	690800	Nut (Rewind Starter)	741	790345	Gear-Timing (Use Without Woodruff Key)	842	★691031	Seal-O Ring (Dipstick Tube)
597	691696	Screw (Pawl Friction Plate)	————— Note —————			843	691884	Lever-Sleeve (Speed Control)
601	95162	Clamp-Hose (Green)	742	93941	Retainer-E Ring	847	692017	Dipstick/Tube Assembly
601A	691038	Clamp-Hose (Black)	743	691772	Gear-Drive	851	493880	Terminal-Spark Plug
608	497680	Starter-Rewind	745	691648	Screw (Brake)	853	695268	Adapter-Wire
613	691340	Screw (Muffler)	783	691918	Gear-Pinion (Starter) (19 Teeth)	869	691155	Seat-Valve (Intake)
613A	691653	Screw (Muffler)	783A	691269	Gear-Pinion (12 Teeth)	870	690380	Seat-Valve (Exhaust)
615	690340	Retainer-Governor Shaft	784	692341	Cover-Starter Gear	871	262001	Guide-Valve Bushing (Exhaust)
616	698801	Crank-Governor	785	692352	Gasket-Starter Cover	————— Note —————		
617	◆◆270344	Seal-O Ring (Intake Manifold)	789A	696547	Harness-Wiring (Used After Code Date 00040600).	83709	Guide-Valve Bushing (Intake)	
621	692310	Switch-Stop	————— Note —————			883	★∅691881	Gasket-Exhaust
633	◆◆691321	Seal-Choke/Throttle Shaft (Throttle Shaft)	801	690782	Cap-Drive	910	691094	Stud (Alternator)
635	66538	Boot-Spark Plug	802	695267	Cap-End (Used After Code Date 00040600).	921A	695886	Cover-Blower Housing
651	691660	Screw (Starter Gear Cover)	————— Note —————			921D	691339	Cover-Blower Housing (XRS Style) (Use With 1.6 Quart Modular Tank)
668	★493823	Spacer (Includes 2)	803	695266	Housing-Starter (Used After Code Date 00040600).	922	691831	Spring-Brake
670	692294	Spacer-Fuel Tank	————— Note —————			923	691994	Brake
676D	497682	Deflector-Muffler (Side Out) (Extended)	695975	Cap-End (Used Before Code Date 00040700).	930A	691345	Guard-Rewind (Teardrop) (Satin Black)	
677	690661	Screw (Muffler Deflector)	695975	Housing- Starter (Used Before Code Date 00040700).	935	499421	Switch-Interlock	
684	690345	Screw (Breather Passage Cover)	————— Note —————			937	691325	Spline-Starter
689	691855	Spring-Friction	————— Note —————					

★ Included in Engine Gasket Set-Ref. No.358.

● Included in Carburetor Overhaul Kit-Ref. No. 121.

◆ Included in Carburetor Gasket Set-Ref. No. 977.

∅ Included in Valve Gasket Set-Ref. No 1095.

Illustrations cover a range of engines. Parts shown without corresponding text may not be used on your specific engine.

12V800

REF. NO.	PART NO.	DESCRIPTION	REF. NO.	PART NO.	DESCRIPTION	REF. NO.	PART NO.	DESCRIPTION
957	397974	Cap-Fuel Tank (Plastic) (Standard)	994	398067	Arrestor-Spark	1058	275177	Manual-Owner's
957A	498697	Cap-Fuel Tank (Plastic) (Radiused Edge)	1005	691346	Fan-Flywheel			———— Note ————
966	691439	Base-Air Cleaner Primer	1009	696255	Screw (Starter Motor)			274940 Manual- Owner's (Touch N Mow)
967	273185	Filter-Pre-Cleaner	1019	494256	Kit-Label	1059	692311	Kit-Screw/Washer
968	498997	Cover-Air Cleaner			———— Note ————			———— Note ————
968A	693198	Cover-Air Cleaner Used on Type No(s). 3118.	1036	790412	790231 Kit-Label (Touch N Mow)			696293 Kitl-Screw/ Washer (Touch N Mow)
969	690700	Screw (Blower Housing Cover)			Label-Emission (Used After Code Date 04063000).	1095	498528	Gasket Set-Valve
969A	691138	Screw (Blower Housing Cover)			———— Note ————	1119	691648	Screw (Alternator)
972B	693377	Tank-Fuel (Plastic)			695111 Label- Emission (Used After Code Date 99093000 and Before Code Date 04070100).	1160	691627	Screw (Interlock Switch)
		———— Note ————			694458 Label- Emission (Used After Code Date 98123100 and Before Code Date 99100100).	1210	498144	Pulley/Spring Assembly (Pulley)
		695960 Tank-Fuel (Plastic) Used on Type No(s). 1783.			499341 Label- Emission (Used After Code Date 97052500 and Before Code Date 99010100).	1211	498144	Pulley/Spring Assembly (Spring)
975	493640	Bowl-Float			499340 Label- Emission (Used Before Code Date 97052600).	1236	695959	Starter-Mechanical (Touch N Mow) (Do Not Service Individual Parts, Only As A Whole)
976	694395	Primer-Carburetor				1330	270962	Manual-Repair
977	498261	Gasket Set-Carburetor						
990A	695951	Key Set (Touch N Mow)						

★ Included in Engine Gasket Set-Ref. No.358.

● Included in Carburetor Overhaul Kit-Ref. No. 121.

◆ Included in Carburetor Gasket Set-Ref. No. 977.

⊘ Included in Valve Gasket Set-Ref. No 1095.

Illustrations cover a range of engines. Parts shown without corresponding text may not be used on your specific engine.

0875-12

Assemblies include all parts shown in frames.

09/28/2004