



Illustrated Parts List

Model Series

12W800

TYPE NUMBERS
1174 through 2375.

TABLE OF CONTENTS

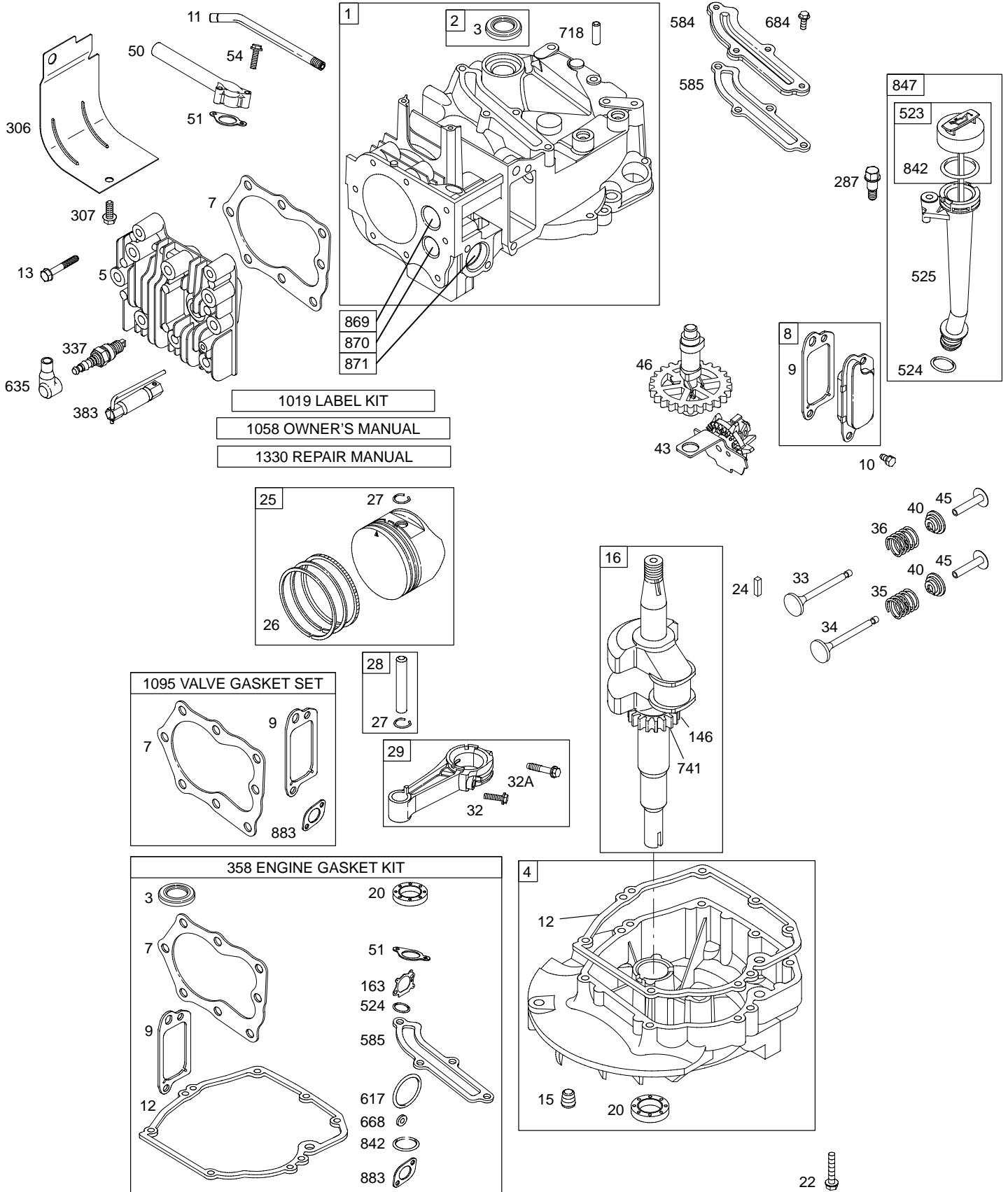
Alternator	6
Air Cleaner	4
Blower Housing/Shrouds	5
Camshaft	2
Carburetor	3
Controls	4
Crankshaft	2
Cylinder	2
Electric Starter	6
Electrical	6
Engine Sump	2
Exhaust System	4
Flywheel	5
Flywheel Brake	6
Fuel Supply	3
Governor Spring	4
Ignition	6
Kits/Gaskets	2 & 3
Lubrication	2
Piston Group	2
Rewind Starter	5
Valves	2

PRINTED IN U.S.A.

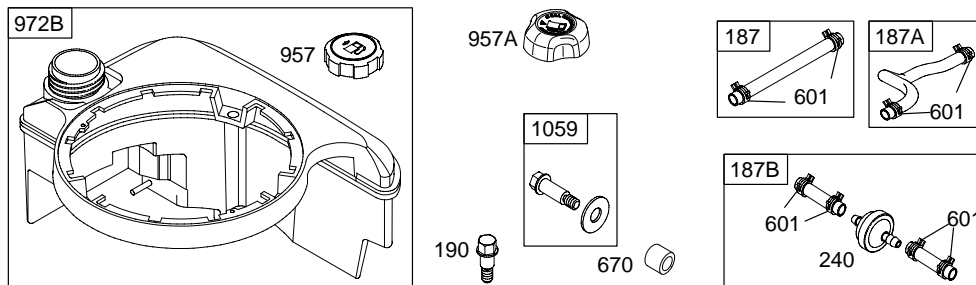
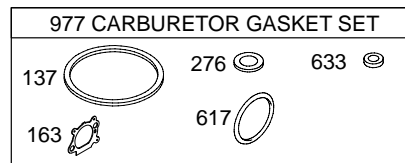
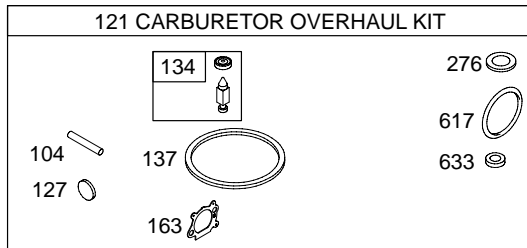
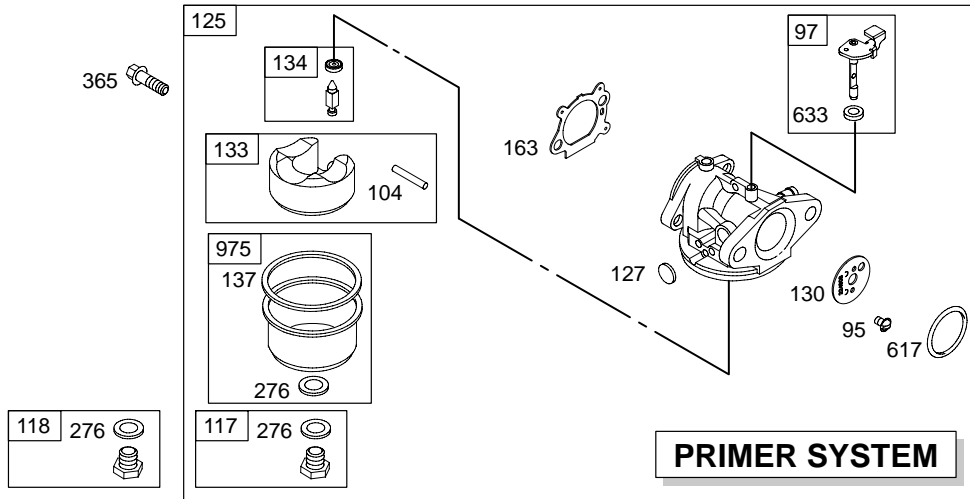


COPYRIGHT by BRIGGS & STRATTON CORPORATION
All rights reserved. No part of this material may be reproduced or transmitted, in any form or by any means, electronic or mechanical, including photocopying, recording or by any information storage and retrieval system, without permission in writing from Briggs & Stratton Corporation.

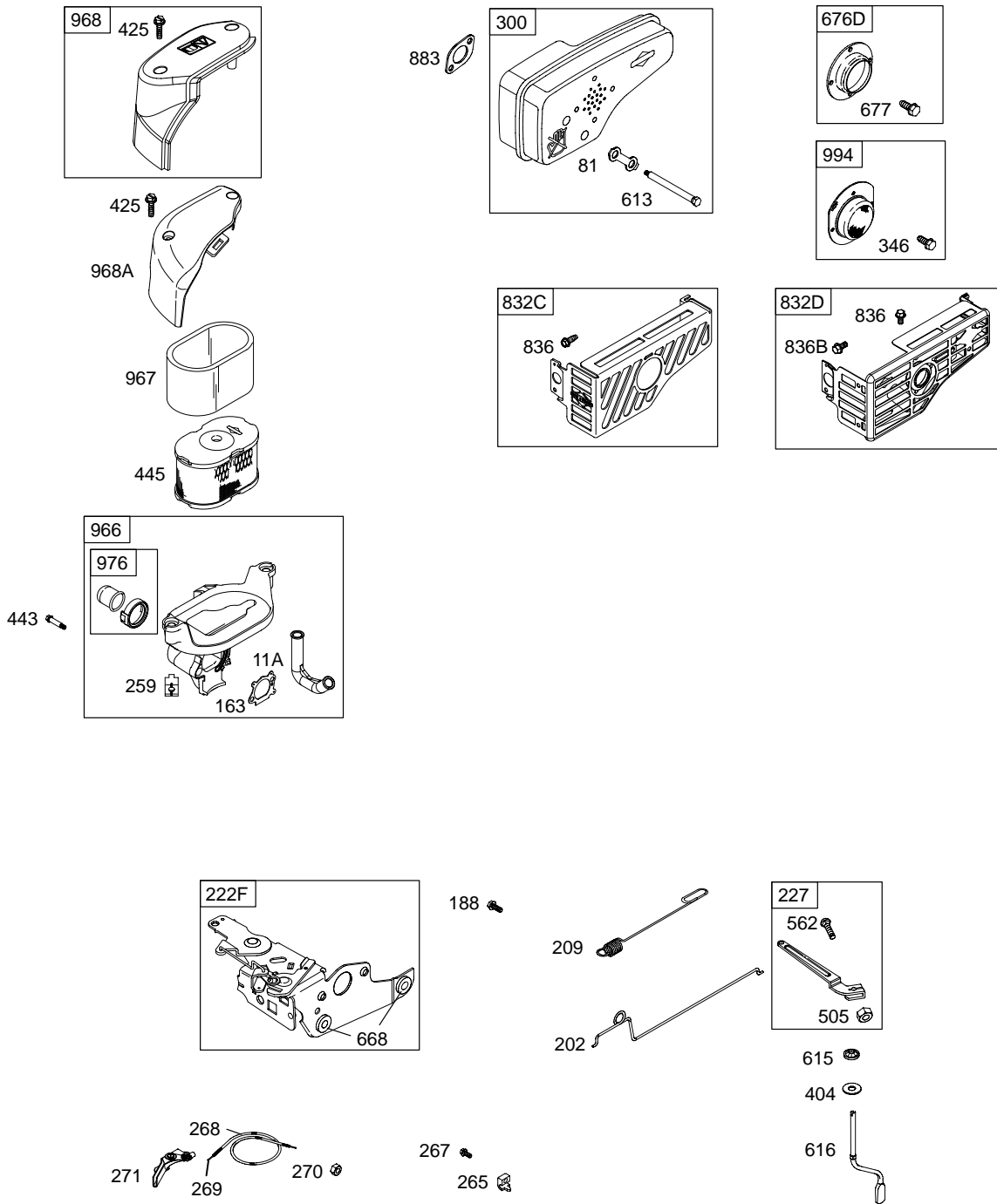
12W800



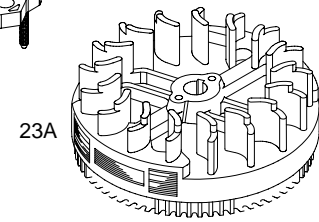
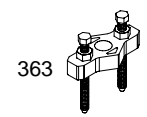
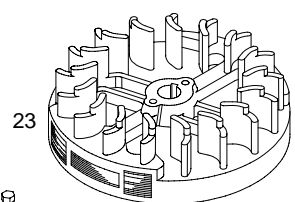
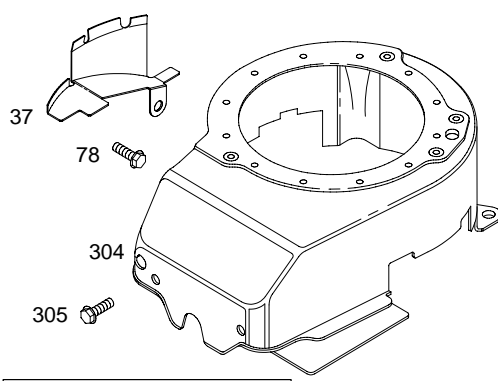
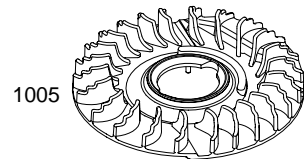
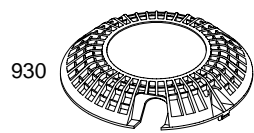
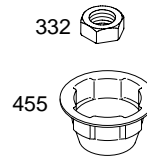
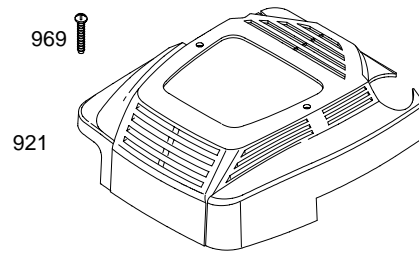
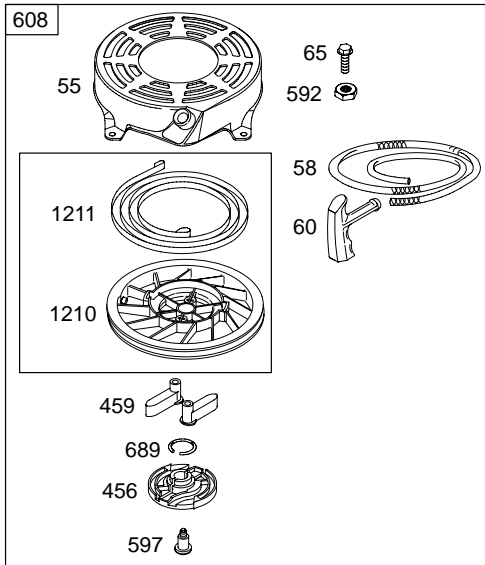
Illustrations cover a range of engines. Parts shown without corresponding text may not be used on your specific engine.
 0882-2 Assemblies include all parts shown in frames. 09/28/2004



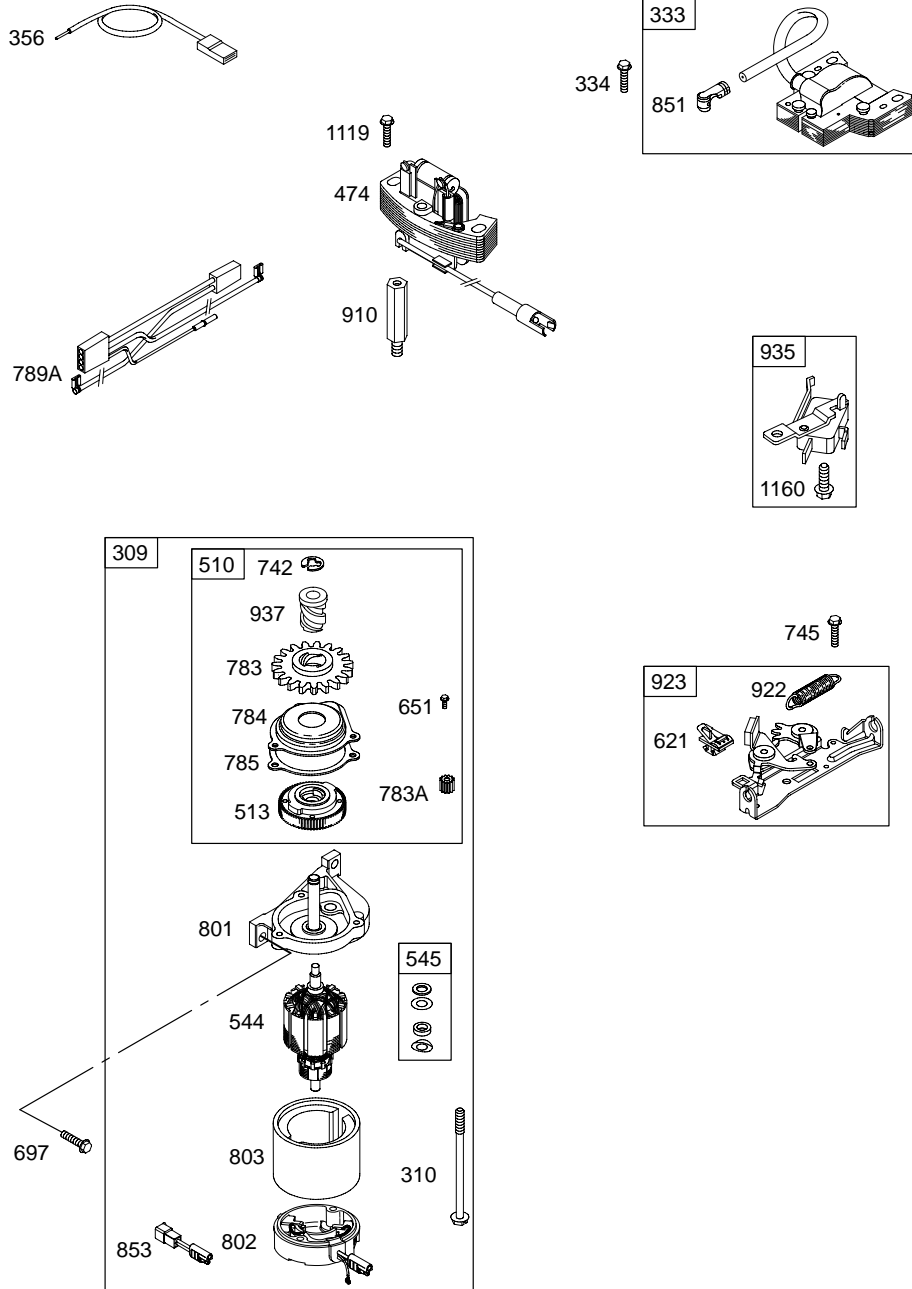
12W800



Illustrations cover a range of engines. Parts shown without corresponding text may not be used on your specific engine.
 0882-4 Assemblies include all parts shown in frames. 09/28/2004



1036 EMISSION LABEL



Illustrations cover a range of engines. Parts shown without corresponding text may not be used on your specific engine.
0882-6 Assemblies include all parts shown in frames. 09/28/2004

REF. NO.	PART NO.	DESCRIPTION	REF. NO.	PART NO.	DESCRIPTION	REF. NO.	PART NO.	DESCRIPTION
1	697324	Cylinder Assembly	25	790358	Piston Assembly (Standard) (Used After Code Date 04031400).	26	790360	Ring Set (Standard) (Used After Code Date 04031400).
2	399269	Kit-Bushing/Seal (Magneto Side)			Note			Note
3	*299819	Seal-Oil (Magneto Side)			499433 Piston Assembly (Standard) (Used After Code Date 97011200 and Before Code Date 04031500).			499425 Ring Set (Standard) (Used After Code Date 97011200 and Before Code Date 04031500).
4	493279	Sump-Engine			494058 Piston Assembly (Standard) (Used Before Code Date 97011300).			493261 Ring Set (Standard) (Used Before Code Date 97011300).
5	691160	Head-Cylinder						
7	*Ø692249	Gasket-Cylinder Head						
8	695250	Breather Assembly						
9	*Ø272481	Gasket-Breather						
10	94650	Screw (Breather Assembly)						499426 Ring Set (.010" Oversize) (Used After Code Date 97011200).
11	691781	Tube-Breather						493388 Ring Set (.010" Oversize) (Used Before Code Date 97011300).
11A	691934	Tube-Breather						
12	*692232	Gasket-Crankcase						
13	690912	Screw (Cylinder Head)						
15	691680	Plug-Oil Drain (Square Socket)			499434 Piston Assembly (.010" Oversize) (Used After Code Date 97011200).			499427 Ring Set (.020" Oversize) (Used After Code Date 97011200).
16	691451	Crankshaft (Used After Code Date 97011200).			499059 Piston Assembly (.010" Oversize) (Used Before Code Date 97011300).			493389 Ring Set (.020" Oversize) (Used Before Code Date 97011300).
		Note						
		694442 Crankshaft (Used Before Code Date 97011300).						
20	*399781	Seal-Oil (PTO Side)						
22	691092	Screw (Crankcase Cover/Sump)			499435 Piston Assembly (.020" Oversize) (Used After Code Date 97011200).			499428 Ring Set (.030" Oversize) (Used After Code Date 97011200).
23	692315	Flywheel (Rewind Start)			499060 Piston Assembly (.020" Oversize) (Used Before Code Date 97011300).			493390 Ring Set (.030" Oversize) (Used Before Code Date 97011300).
23A	691987	Flywheel (Electric Start)						
24	222698	Key-Flywheel						

* Included in Engine Gasket Set-Ref. No.358.

● Included in Carburetor Overhaul Kit-Ref. No. 121.

◆ Included in Carburetor Gasket Set-Ref. No. 977.

Ø Included in Valve Gasket Set-Ref. No 1095.

Illustrations cover a range of engines. Parts shown without corresponding text may not be used on your specific engine.

12W800

REF. NO.	PART NO.	DESCRIPTION	REF. NO.	PART NO.	DESCRIPTION	REF. NO.	PART NO.	DESCRIPTION
27	691866	Lock-Piston Pin (Used After Code Date 97011200). ———— Note ———— 691588 Lock-Piston Pin (Used Before Code Date 97011300).	33	262651	Valve-Exhaust	121	498260	Kit-Carburetor Overhaul
28	499423	Pin-Piston (Standard) (Used After Code Date 97011200). ———— Note ———— 298909 Pin-Piston (Standard) (Used Before Code Date 97011300). 298908 Pin-Piston (.005" Oversize) (Used Before Code Date 97011300).	34	262652	Valve-Intake	125	498254	Carburetor
29	499424	Rod-Connecting (Standard) (Used After Code Date 97011200). ———— Note ———— 490566 Rod-Connecting (Standard) (Used Before Code Date 97011300). 490743 Rod-Connecting (.020" Undersize) (Used Before Code Date 97011300).	35	691270	Spring-Valve (Intake)	127	●694468	Plug-Welch
32	691664	Screw (Connecting Rod)	36	691270	Spring-Valve (Exhaust)	130	691203	Valve-Throttle
32A	695759	Screw (Connecting Rod) (Used After Code Date 00042200).	37	694086	Guard-Flywheel	133	398187	Float-Carburetor
			40	692194	Retainer-Valve	134	●398188	Kit-Needle/Seat
			43	691997	Slinger-Governor/Oil	137	●◆693981	Gasket-Float Bowl
			45	690548	Tappet-Valve	146	690979	Key-Timing
			46	691449	Camshaft (Used After Code Date 96060200). ———— Note ———— 492830 Camshaft (Used Before Code Date 96060300).	163★●◆272653		Gasket-Air Cleaner
			50	497465	Manifold-Intake	187	691050	Line-Fuel (Cut to Required Length)
			51	★272199	Gasket-Intake	187A	691371	Line-Fuel (Molded)
			54	691650	Screw (Intake Manifold)	187B	692042	Line-Fuel (Includes Filter)
			55	691421	Housing-Rewind Starter	188	690877	Screw (Control Bracket)
			58	280399	Rope-Starter (Cut To Required Length)	190	690940	Screw (Fuel Tank)
			60	281434	Grip-Starter Rope	202	691829	Link-Mechanical Governor
			65	690837	Screw (Rewind Starter)	209	690319	Spring-Governor
			78	691108	Screw (Flywheel Guard)	222F	691436	Bracket-Control (Remote/Manual Friction) (Compliance)
			81	691740	Lock-Muffler Screw	227	690783	Lever-Governor Control
			95	691636	Screw (Throttle Valve)	240	298090	Filter-Fuel
			97	493267	Shaft-Throttle	259	69118	Clamp-Casing
			104	●691242	Pin-Float Hinge	265	690798	Clamp-Casing
			117	497466	Jet-Main (Standard)	267	691044	Screw (Casing Clamp)
			118	496495	Jet-Main (High Altitude)	268	691072	Casing-Control Wire (Cut to Required Length)
						269	691589	Wire-Control (Cut to Required Length)

★ Included in Engine Gasket Set-Ref. No.358.

● Included in Carburetor Overhaul Kit-Ref. No. 121.

◆ Included in Carburetor Gasket Set-Ref. No. 977.

∅ Included in Valve Gasket Set-Ref. No 1095.

Illustrations cover a range of engines. Parts shown without corresponding text may not be used on your specific engine.

REF. NO.	PART NO.	DESCRIPTION	REF. NO.	PART NO.	DESCRIPTION	REF. NO.	PART NO.	DESCRIPTION
270	691027	Nut (Control Wire Casing)	459	281505	Plate-Ratchet	651	691660	Screw (Starter Gear Cover)
271	691028	Lever-Control	474	691991	Alternator	668	★493823	Spacer (Includes 2)
276	◆271716	Washer-Sealing	505	691251	Nut (Governor Control Lever)	670	692294	Spacer-Fuel Tank
287	690940	Screw (Dipstick Tube)	510	494147	Drive-Starter	676D	497682	Deflector-Muffler
300	692038	Muffler (Tuned)	513	692358	Clutch-Drive	677	690661	Screw (Muffler Deflector)
306	690450	Shield-Cylinder	523	495264	Dipstick	684	690345	Screw (Breather Passage Cover)
307	690345	Screw (Cylinder Shield)	524	★692296	Seal-Dipstick Tube	689	691855	Spring-Friction
309	695550	Motor-Starter	525	495265	Tube-Dipstick	697	691127	Screw (Drive Cap)
310	692327	Bolt (Starter Motor)	544	690786	Armature-Starter	718	690959	Pin-Locating
332	690662	Nut (Flywheel)	545	492919	Washer Set (Starter Motor)	741	790345	Gear-Timing (Use Without Woodruff Key)
333	802574	Armature-Magneto	562	691119	Bolt (Governor Control Lever)	————— Note —————		
334	691061	Screw (Magneto Armature)	584	697734	Cover-Breather Passage	691830		Gear-Timing (Uses Woodruff Key)
337	802592	Plug-Spark	585	★691879	Gasket-Breather Passage	742	93941	Retainer-E Ring
346	690661	Screw (Spark Arrestor)	592	690800	Nut (Rewind Starter)	745	691648	Screw (Brake)
356	692390	Wire-Stop	597	691696	Screw (Pawl Friction Plate)	783	691918	Gear-Pinion (19 Teeth) (Starter Drive)
358	497316	Gasket Set-Engine	601	95162	Clamp-Hose (Green)	783A	691269	Gear-Pinion (12 Teeth)
363	19069	Flywheel Puller	608	497680	Starter-Rewind	784	692341	Cover-Starter Gear
365	692524	Screw (Carburetor)	613	691340	Screw (Muffler)	785	692352	Gasket-Starter Cover
383	89838	Wrench-Spark Plug	615	690340	Retainer-Governor Shaft	789A	696547	Harness-Wiring (Used After Code Date 00040600).
404	690272	Washer (Governor Crank)	616	698801	Crank-Governor	————— Note —————		
425	691135	Screw (Air Cleaner Cover)	617	★◆270344	Seal-O Ring (Intake Manifold)	691372		Harness- Wiring (Used Before Code Date 00040700).
443	690349	Screw (Air Cleaner Primer Base)	621	692310	Switch-Stop			
445	497725	Filter-Air Cleaner Cartridge	633	◆691321	Seal-Choke/Throttle Shaft			
455	695161	Cup-Flywheel	635	66538	Boot-Spark Plug			
456	692299	Plate-Pawl Friction						

★ Included in Engine Gasket Set-Ref. No.358.

● Included in Carburetor Overhaul Kit-Ref. No. 121.

◆ Included in Carburetor Gasket Set-Ref. No. 977.

∅ Included in Valve Gasket Set-Ref. No 1095.

Illustrations cover a range of engines. Parts shown without corresponding text may not be used on your specific engine.

12W800

REF. NO.	PART NO.	DESCRIPTION	REF. NO.	PART NO.	DESCRIPTION	REF. NO.	PART NO.	DESCRIPTION
801	690782	Cap-Drive	871	262001	Bushing-Valve Guide (Exhaust)	1036	790412	Label-Emission (Used After Code Date 04063000).
802	695267	Cap-End (Used After Code Date 00040600). Note _____ 695975Cap-End (Used Before Code Date 00040700).			_____ Note _____ 63709 Bushing-Valve Guide (Intake)			_____ Note _____ 695111 Label-Emission (Used After Code Date 99093000 and Before Code Date 04070100).
803	695266	Housing-Starter (Used After Code Date 00040600). Note _____ 695975Housing-Starter (Used Before Code Date 00040700).	883	★∅691881	Gasket-Exhaust			
832C	691442	Guard-Muffler (Yardman Guard)	910	691094	Stud (Alternator)			
832D	494224	Guard-Muffler (Standard)	921	691339	Guard-Rewind			694458 Label-Emission (Used After Code Date 98123100 and Before Code Date 99100100).
836	690664	Screw (Muffler Guard)	922	691831	Spring-Brake			499341 Label-Emission (Used After Code Date 97052500 and Before Code Date 99010100).
836B	690661	Screw (Muffler Guard)	923	691994	Brake			499340 Label-Emission (Used Before Code Date 97052600).
842	★691031	Seal-O Ring (Dipstick Tube)	930	691919	Guard-Rewind (Round)			
847	692017	Dipstick/Tube Assembly	935	499421	Switch-Interlock			
851	493880	Terminal-Spark Plug	937	691325	Spline-Starter			
853	695268	Adapter-Wire	957	397974	Cap-Fuel Tank (Plastic)	1058	275177	Manual-Owner's
869	691155	Seat-Valve (Intake)	957A	692046	Cap-Fuel Tank (Plastic)	1059	692311	Kit-Screw/Washer
870	690380	Seat-Valve (Exhaust)	966	691439	Base-Air Cleaner Primer	1095	498528	Gasket Set-Valve
			967	273185	Filter-Pre Cleaner	1119	691648	Screw (Alternator)
			968	498997	Cover-Air Cleaner	1160	691627	Screw (Interlock Switch)
			968A	693198	Cover-Air Cleaner	1210	498144	Pulley/Spring Assembly (Pulley)
			969	690700	Screw (Blower Housing Cover)	1211	498144	Pulley/Spring Assembly (Spring)
			972B	693377	Tank-Fuel (Plastic) (Standard)	1330	270962	Manual-Repair
			975	493640	Bowl-Float			
			976	694395	Primer-Carburetor			
			977	498261	Gasket Set-Carburetor			
			994	398067	Arrestor-Spark			
			1005	691346	Fan-Flywheel			
			1019	494256	Kit-Label			

★ Included in Engine Gasket Set-Ref. No.358.

● Included in Carburetor Overhaul Kit-Ref. No. 121.

◆ Included in Carburetor Gasket Set-Ref. No. 977.

∅ Included in Valve Gasket Set-Ref. No 1095.

Illustrations cover a range of engines. Parts shown without corresponding text may not be used on your specific engine.

0882-10

Assemblies include all parts shown in frames.

09/28/2004