

130400 to 130499

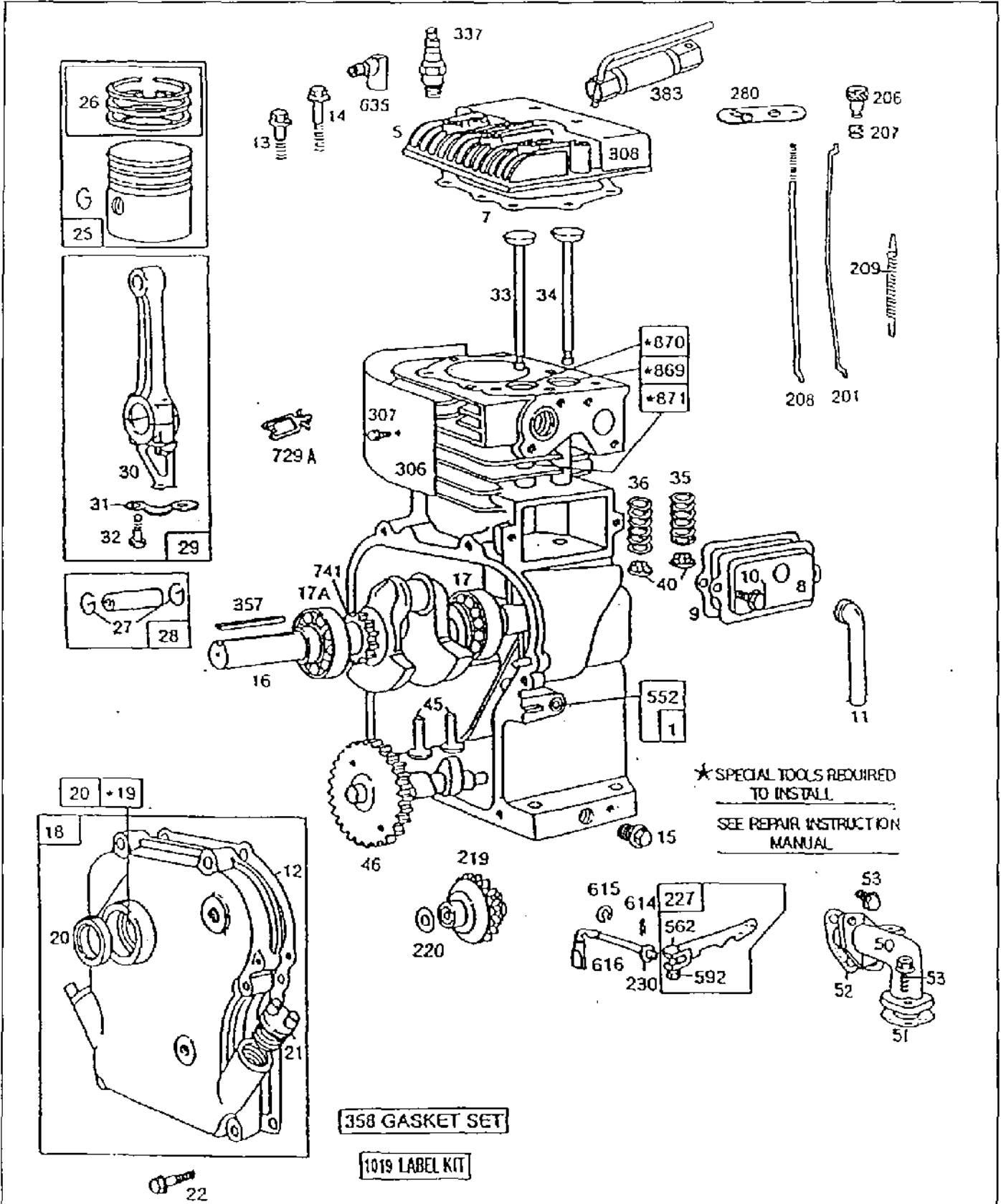
Illustrated Parts List Model Series 130400 to 130499

TYPE NUMBERS
0102, 0105, 0106,
4001,
5001, 5002, 5003,
5005, 5501.

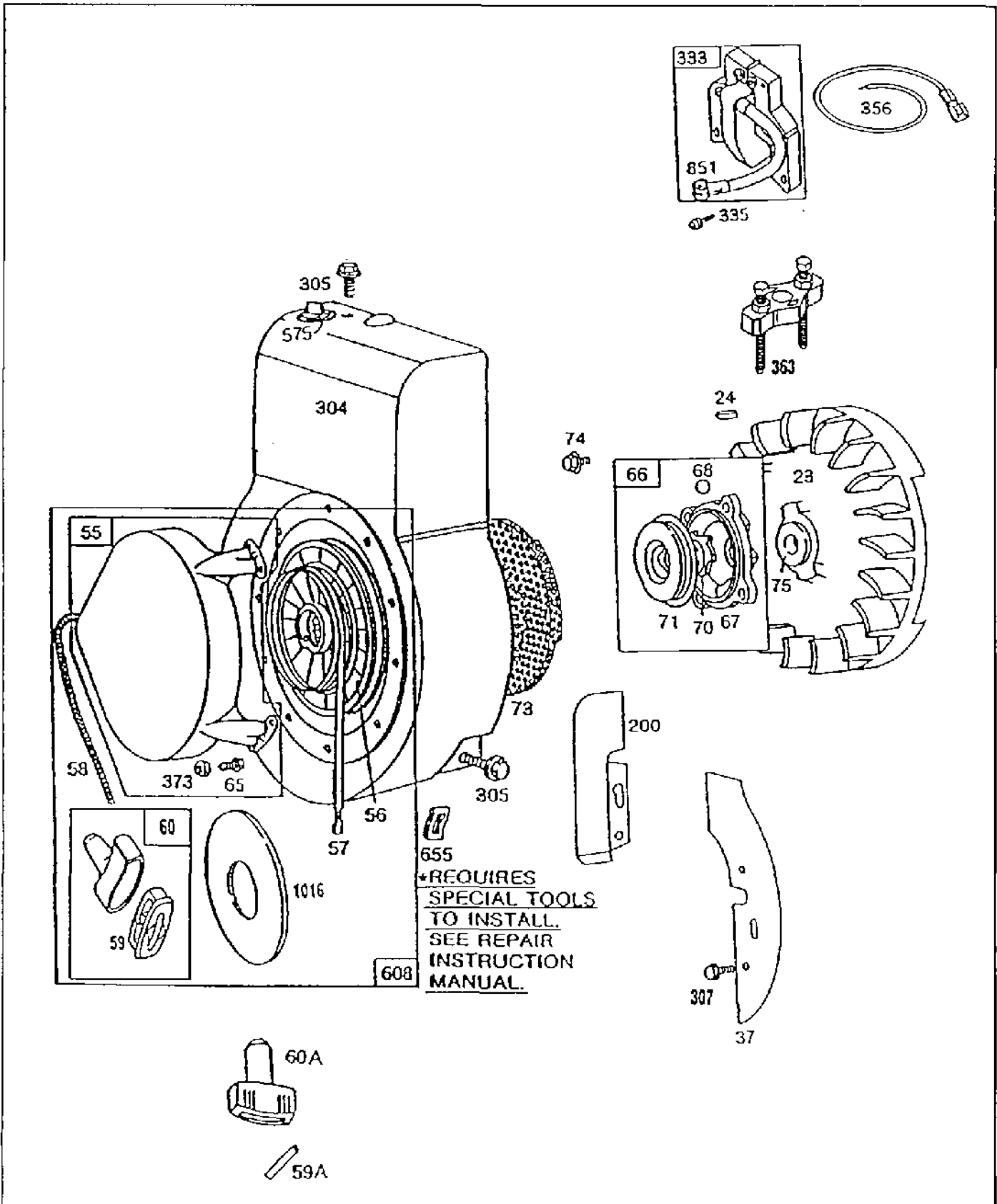
TO FIND THE CORRECT NUMBER OF THE PART YOU NEED: FOLLOW THE INSTRUCTIONS BELOW

- A. Refer to Engine Model, Type and Code Number that is stamped on the blower housing of engine. Engine type numbers such as 0123 01 are listed only as 0123 in most instances. The two digits (01 or 02, etc.) to the right of the space may be required for more accurate parts identification in some instances. Select the Illustrated Parts List covering the correct Model Series and Type Number.
- B. Refer to the illustrations and compare the original part with illustration. The number next to the illustration is the Reference Number. Assemblies include all parts shown in frames. All parts shown in assembly frames having individual reference numbers can be purchased separately.
- C. After the Reference Number has been identified, refer to the Numerical text, where Reference and Primary Part Number are listed. THE PRIMARY PART IS USED ON ALL TYPE NUMBERS EXCEPT THOSE TYPE NUMBERS UNDER "NOTE."
- D. If a "Note" appears below the Primary Part Number, it means that this part differs from the Primary Part for certain types. If your Type number is listed under "Note," order the part referred to at the "Note."
- E. If your Engine Type Number does not appear after any part number listed under "Note," use the Primary Part Number.
- F. For Engine Type Numbers not covered by this book, check other Parts Lists having the same engine model or contact your source of supply.

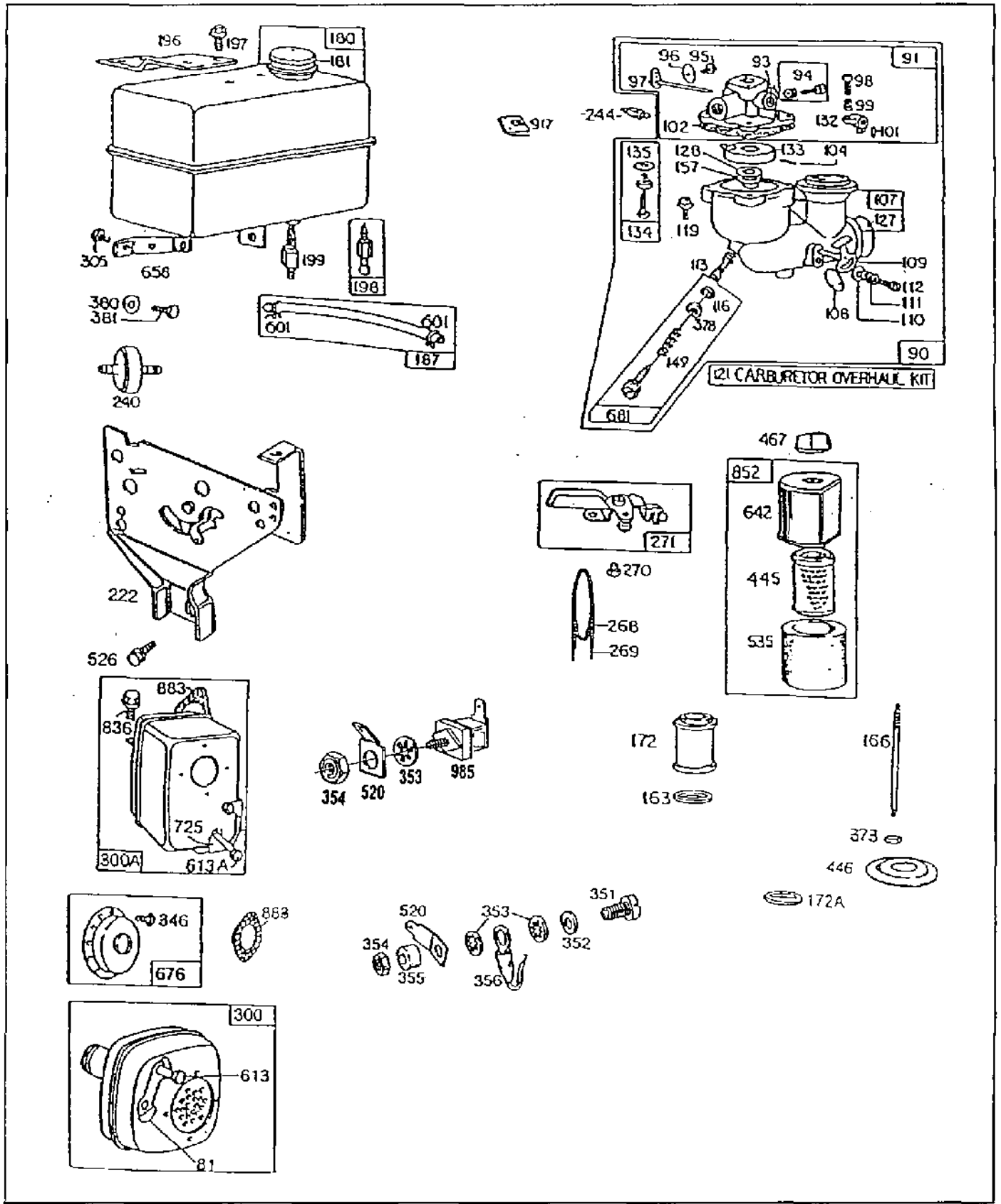
130400 to 130499

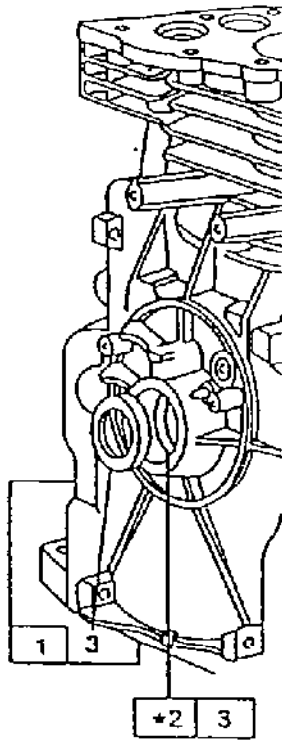


130400 to 130499

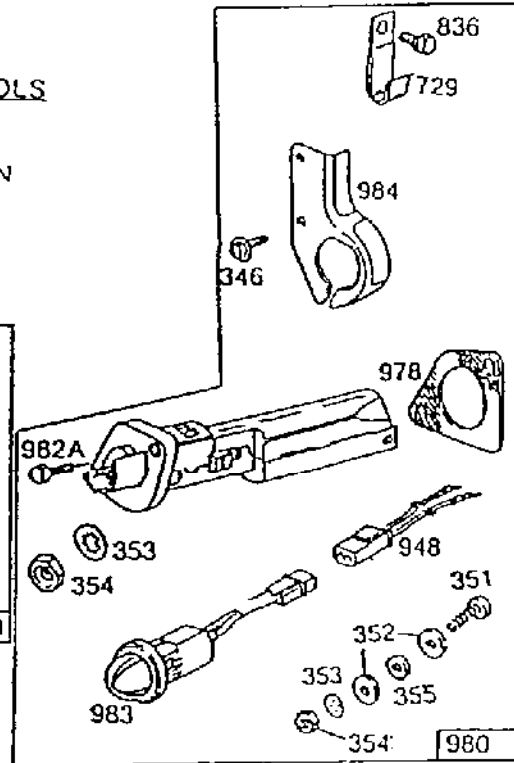
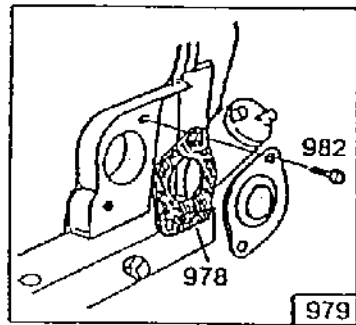


130400 to 130499





*REQUIRES
SPECIAL TOOLS
TO INSTALL.
SEE REPAIR
INSTRUCTION
MANUAL.



130400 to 130499

REF. NO.	PART NO.	DESCRIPTION	REF. NO.	PART NO.	DESCRIPTION	REF. NO.	PART NO.	DESCRIPTION
1	395990	Cylinder Assembly Note: 494955 Cylinder Assy. (Used After Code Date 91063000). 398765 Cylinder Assembly (Oil Gard®) (Used Before Code Date 91070100). on Type Nos. 5001, 5002, 5003, 5005, 5501.			Date 91070100). Used on Type Nos. 5001, 5002, 5003, 5501.			MODEL 130400 SERIES
2	297565	Bushing-Cylinder Note: Requires Special Tools For Installation.			492090 Crankshaft Used on Type No. 5005. 493290 Crankshaft Used on Type No. 0102. 494035 Crankshaft Used on Type Nos. 0105, 0106, 4001.			PISTON RING SETS:
3	*299819	Seal-Oil	17	99157	Bearing-Ball (Magneto Side)		26	298982 Ring Set-Piston (Standard)
5	211127	Head-Cylinder					27	26026 Lock-Piston Pin
7	*272157	Gasket-Cylinder Head	17A	99158	Bearing-Ball (P.T.O. Side)		28	298983 Ring Set-Piston (.010" O.S.)
8	294178	Breather-Valve Chamber					29	298984 Ring Set-Piston (.020" O.S.)
9	*27549	Gasket-Valve Cover	18	298204	Cover Assembly-Crankcase Used on Model 130432 Series Engines. Note: 392778 Cover Assy.-Crankcase Used on Type Nos. 0105, 0106, 4001.		298985	Ring Set-Piston (.030" O.S.)
10	94621	Screw-Breather Mtg.					27	26026 Lock-Piston Pin
11	271489	Grommet-Breather Tube					28	298909 Pin Assy.-Piston (Standard)
12	*270080	Gasket-Crankcase (.015" Thick, Std.)					29	298908 Pin Assy.-Piston (.005" O.S.)
	*270125	Gasket-Crankcase (.005" Thick)					29	299430 Rod Assy.-Connecting Note: For Connecting Rod With .020" Undersize Crankpin Bore-Order No. 390459.
	*270126	Gasket-Crankcase (.009" Thick)	19	297603	Bushing-Crankcase Cover Note: Bushings Require Special Tools For Installation.		30	221890 Dipper-Connecting Rod
13	93368	Screw-Cylinder Head (2-3/32" Long)					31	221876 Lock-Conn. Rod Screw
14	93369	Screw-Cylinder Head (2-15/32" Long)	20	*393812	Seal-Oil Used on Model 130432 Series Engines. Note: 392741 Oil Seal and Spacer Used on Type Nos. 0105, 0106, 4001.		32	92296 Screw-Connecting Rod
15	91249	Plug-Pipe, 1/4" Std., Square Head Note: 93448 Plug-Pipe (Hex. Socket) 94174 Plug Oil Drain (Magnetic) Used on Engines Equipped for Oil Gard®					33	211119 Valve-Exhaust
			21	66768	Plug-Oil Filler		34	261044 Valve-Intake
			22	93032	Screw-Crankcase Cover Mounting		35	260552 Spring-Intake Valve
16	397092	Crankshaft Note: To Replace Crankshaft Gear Pin, Order Part No. 230978. 397091 Crankshaft (Used After Code Date 91063000). 397090 Crankshaft (Used Before Code					36	26478 Spring-Exhaust Valve
			23	297229	Flywheel-Magneto		37	222443 Guard-Flywheel
			24	222698	Key-Flywheel		40	93312 Retainer-Intake Valve Spring
			25	298904	Piston Assembly (Standard) 298905 Piston Assy. (.010" O.S.) 298906 Piston Assy. (.020" O.S.) 298907 Piston Assy. (.030" O.S.)		45	260642 Tappet-Valve
							46	212733 Gear-Cam
							50	212358 Elbow-Intake
							51	*68987 Gasket-Carb. Mtg. (Elbow to Carb.)
							52	*27355 Gasket-Carb. Mtg.
							53	93357 Screw-Carburetor and Intake Elbow Mtg.
							55	299431 Housing-Rewind Starter
							56	295871 Pulley-Rewind Starter (Includes 63" Long Rope) If Longer Rope is Required, Order Rope No. 66894 and Cut to Length.
							57	490179 Spring-Rewind Starter

* Included in Gasket Set-Part No. 397145.

● Included in Carburetor Overhaul Kit-Part No.398993.

130400 to 130499

REF. NO.	PART NO.	DESCRIPTION	REF. NO.	PART NO.	DESCRIPTION	REF. NO.	PART NO.	DESCRIPTION
58	66884	Rope-Rewind Starter (63" Long) If Longer Rope is Required, Order Rope No. 66894 and Cut to Length.	119	93347	Screw-Throttle Hsg. and Fuel Pump Body Mounting Sem	219	494845	Gear-Governor (Used After Code Date 91060900).
59	490653	Insert-Starter Handle	121	398993	Carburetor Overhaul Kit			Note: 391737 Gear-Gov. (Used Before Code Date 91061000).
59A	230228	Pin-Starter Grip	127	220352	Plug-Welch	220	221551	Washer-Thrust
60	490652	Handle-Rewind Starter	128	210811	Venturi-Carburetor	222	494826	Plate-Gov. Control (Used After Code Date 91042800).
60A	66728	Grip-Starter Rope	132	212904	Stop-Throttle Lever			Note: 393785 Plate-Gov. Control (Used Before Code Date 91042900).
65	94063	Screw-Stamped Steel Housing Mtg. Sem	133	293477	Float-Carburetor	227	393920	Lever Assy.-Governor
66	399671	Clutch Assembly-Rewind Starter	134	●293478	Valve and Seat-Fuel Inlet	230	222450	Washer-Governor Lever
67	394897	Housing-Starter Clutch	135	68877	Gasket-Fuel Inlet Valve Seat	240	298090	Filter-Fuel (In Fuel Pipe)
68	63770	Ball-Clutch	149	261357	Spring-Needle Valve	244	230318	Connector-Flexible Fuel Line
70	298799	Ratchet-Rewind Starter	157	●27840	Gasket-Venturi	268	66986	Casing-Control Wire (48" Long)
71	394506	Washer-Clutch Retainer	163	271042	Gasket-Air Cleaner (Below Spacer)			Note: If Longer Casing is Needed, Specify Length in Inches; if a Shorter Casing is Needed, Order No. 66986 and Cut to Required Length.
73	221923	Screen-Starter Pulley	166	231314	Stud-Air Cleaner	269	26099	Wire-Control (54" Long)
74	93490	Screw-Sem	172	280213	Spacer-Air Cleaner			Note: If Longer Wire is Needed, Specify Length in Inches; if Shorter Wire is Needed, Order No. 26099 and Cut to Required Length.
75	224061	Washer-Spring	172A	271139	Gasket-Air Cleaner (Above Spacer)	270	63426	Locknut-Control Wire Casing
81	222263	Lock-Screw	180	292945	Tank Assembly-Fuel (3 Quart)	271	290568	Lever Assy.-Control
90	393753	Carburetor Assembly	181	69221	Cap-Fuel Tank	280	223236	Strap
91	393978	Housing Assembly-Throttle		Note: 392305 Cap-Fuel Tank Used on Type No. 5003.	300	393615	Muffler-Exhaust (Lo-Tone)	
93	23230	Bushing-Throttle Shaft	187	296004	Line-Fuel (23") (Cut to Suit)	300A	396001	Muffler-Exhaust
94	●292681	Valve Assembly-Carburetor Idle		Note: 393815 Line-Fuel (11") (Cut to Suit)	304	398345	Housing-Blower	
95	93499	Screw-Throttle Valve	196	222946	Support-Fuel Tank	305	93158	Screw-Blower Housing Mounting
96	222972	Valve-Throttle	197	93083	Screw-Tank Mtg. Sem	306	221511	Shield-Cylinder
97	393827	Shaft and Lever-Throttle	198	293934	Valve Assembly-Fuel Shut-Off	307	93490	Screw-Cylinder Shield
98	91920	Screw-Machine, Fill. Hd.	199	295896	Outlet-Fuel Tank (Includes Strainer) (For Flexible Fuel Pipe)	308	224738	Cover-Cylinder Head
99	●26157	Spring-Throttle Adjustment	200	221480	Guide-Air			
101	93043	Pin-Throttle Stop and Governor Shaft	201	261589	Link-Governor			
102	●27917	Gasket-Carburetor Body		Note: 260585 Spring-Governor Link Used on Type Nos. 0105, 0106, 4001, 5001, 5003, 5005, 5501.				
104	●23114	Pin-Float Hinge	206	231266	Nut-Control Rod			
107	393979	Body Assembly-Carburetor Lower	207	26855	Spring-Control Rod			
108	220897	Valve-Choke	208	261985	Rod Control			
109	294874	Shaft and Lever	209	261126	Spring-Governor			
110	220899	Washer-Choke Lever						
111	26229	Spring-Choke Lever						
112	23270	Screw-Choke Lever						
113	●231428	Nozzle-Carburetor						
116	280203	Packing-Needle Valve						

* Included in Gasket Set-Part No. 397145.

● Included in Carburetor Overhaul Kit-Part No.398993.

130400 to 130499

REF. NO.	PART NO.	DESCRIPTION	REF. NO.	PART NO.	DESCRIPTION	REF. NO.	PART NO.	DESCRIPTION
333	397358	Armature Group	467	212706	Knob-Choke Rod	741	262060	Gear-Timing (For Ball Bearing)
335	93414	Screw-Armature Mounting Sem	520	93722	Terminal Spade			Note: 261696 Gear-Timing (For Plain Bearing)
337	298809	Plug-Spark (1-1/2" High, 38 mm)	526	94409	Screw-Control Bracket Mtg. Sem	836	93559	Screw Hex. Hd.
		Note: 293918 Plug-Spark (1-1/2" High, 38 mm) (Resistor Type)	535	271466	Element-Air Cleaner	851	221798	Cable Terminal-Ignition
		802592 Plug-Spark (1-7/8" High, 48 mm) (Resistor Type)	552	231079	Bushing-Governor Crank	852	396397	Cleaner Group-Air
346	93705	Screw-Sem	562	92613	Bolt-Governor Lever	869	211787	Seat-Intake Valve (Standard)
351	93735	Screw-Terminal	575	396691	Switch Assembly- Rotary	870	211172	Seat-Exhaust Valve
352	66068	Washer-Insulating (2)	592	231082	Nut-Hex.	871	231348	Guide-Exhaust Valve Note: 63709 Guide-Intake Valve
353	92791	Washer-Lock	601	93053	Clamp-Fuel Pipe	883	*270918	Gasket-Exhaust
354	90576	Nut-Hex.	608	390463	Starter Assy.-Rewind	917	223271	Valve Handle-Fuel Shut-Off
355	66554	Washer-Insulating	613	93935	Screw-Muffler Mtg.	948	398661	Harness-Wire
356	398874	Wire-Ground	613A	94054	Screw Hex. Hd. Shoulder	978	*271736	Gasket-Cover
357	91539	Key	614	93306	Pin-Cotter	979	494807	Cover-Oil Gard [®]
358	397145	Gasket Set	615	93307	Retainer-E-Ring	980	398182	Switch-Oil Gard [®]
363	19069	Puller-Flywheel	616	231077	Crank-Governor	982	94658	Cover Screw- Oil Gard [®]
373	92987	Nut-Hex.	635	66538	Elbow-Spark Plug	982A	94657	Screw-Oil Gard [®] Mtg.
378	22032	Washer-Needle Valve Packing	642	223306	Cover-Air Cleaner	983	398660	Light-Indicator
380	62199	Washer-Plain	655	222598	Anchor-Spring	984	223773	Bracket-Indicator Light
381	93158	Screw-Hex. Hd. Sem	658	222939	Brace-Fuel Tank	985	398525	Terminal-Insulated
383	89838	Wrench-Spark Plug	676	395700	Deflector-Exhaust (Direct Outlet)	1016	490817	Spacer
445	396424	Cartridge-Air Cleaner	681	*399619	Needle Valve Assy.	1019	491100	Label Kit
446	222844	Base-Air Cleaner	725	223303	Shield-Muffler			
			729	223528	Retainer-Wire			
			729A	280590	Retainer-Wire			

* Included in Gasket Set-Part No. 397145.

● Included in Carburetor Overhaul Kit-
Part No. 398993.