

130700 to 130799
131700 to 131799

Illustrated Parts List

Model Series

130700 to 130799

Non-Compliance

TYPE NUMBERS
0100, 0120,
0131 through 0138,
4001, 4002.

Compliance

TYPE NUMBERS
3100, 3120,
3125 through 3127.

131700 to 131799

Industrial/Commercial

Non-Compliance

TYPE NUMBERS
0015, 0020, 0100,
0120,
0130 through 0153,
4000 through 4003.

Compliance

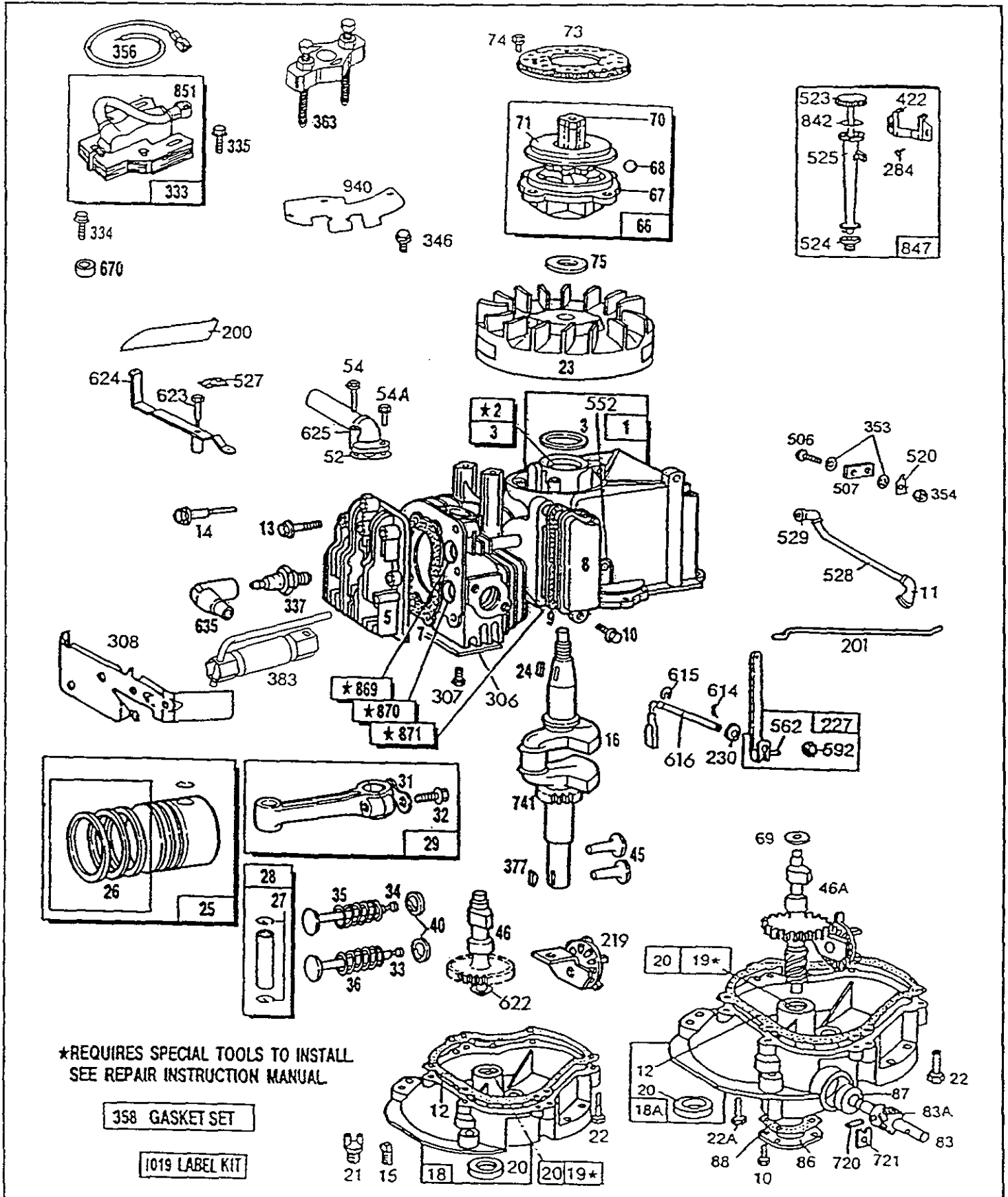
TYPE NUMBERS
3100, 3120,
3125 through 3132,
7015, 7051.

TO FIND

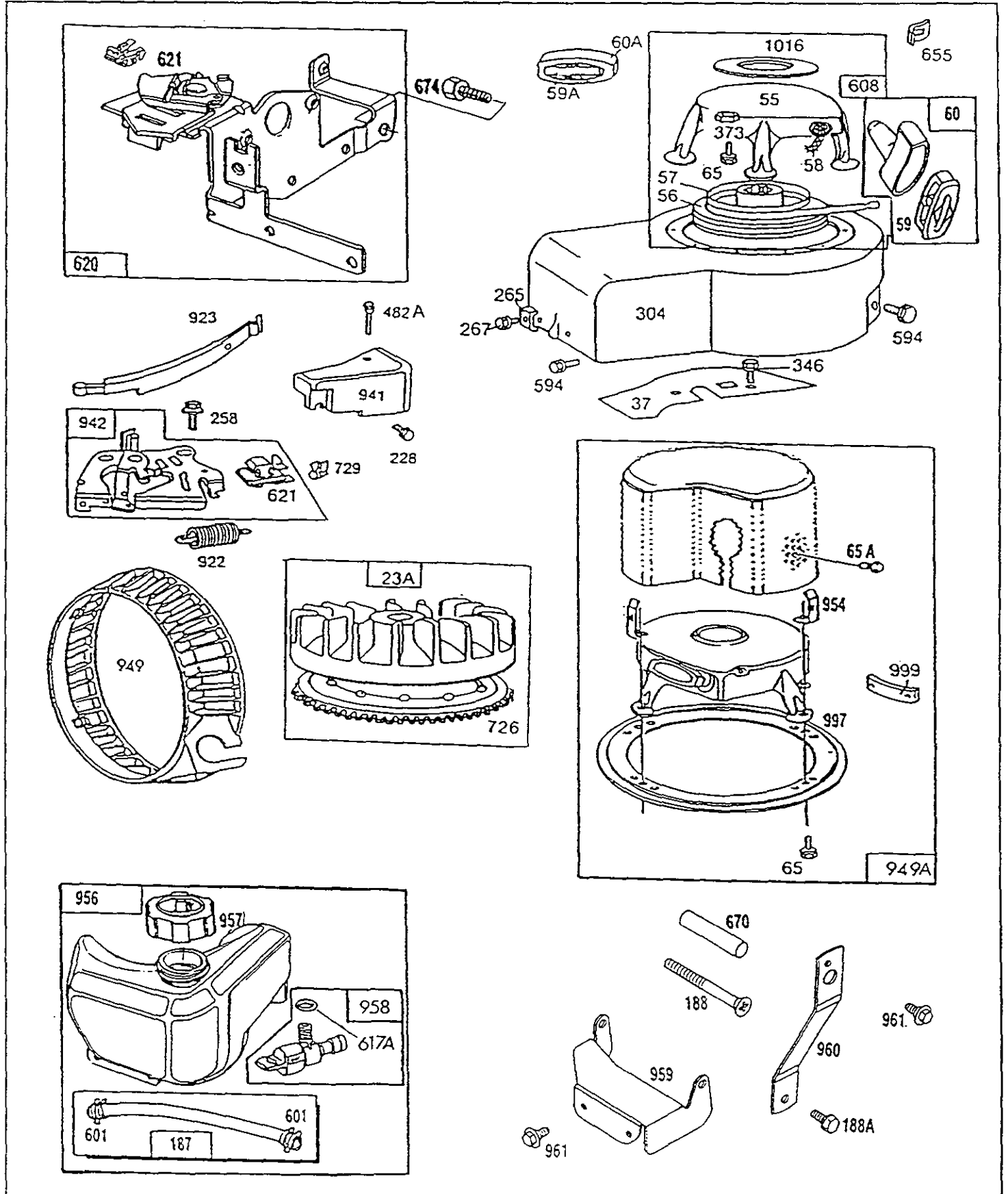
THE CORRECT NUMBER OF THE PART YOU NEED: FOLLOW THE INSTRUCTIONS BELOW

- A. Refer to *Engine Model, Type and Code Number* that is stamped on the blower housing of engine. Engine type numbers such as 0123 01 are listed only as 0123 in most instances. The two digits (01 or 02, etc.) to the right of the space may be required for more accurate parts identification in some instances. Select the Illustrated Parts List covering the correct Model Series and Type Number.
- B. Refer to the Illustrations and compare the original part with Illustration. The number next to the illustration is the Reference Number. Assemblies include all parts shown in frames. All parts shown in assembly frames having individual reference numbers can be purchased separately.
- C. After the Reference Number has been identified, refer to the Numerical text, where Reference and Primary Part Number are listed. **THE PRIMARY PART IS USED ON ALL TYPE NUMBERS EXCEPT THOSE TYPE NUMBERS UNDER "NOTE."**
- D. If a "Note" appears below the Primary Part Number, it means that this part differs from the Primary Part for certain types. If your Type number is listed under "Note," order the part referred to at the "Note."
- E. If your Engine Type Number does not appear after any part number listed under "Note," use the Primary Part Number.
- F. For Engine Type Numbers not covered by this book, check other Parts Lists having the same engine model or contact your source of supply.

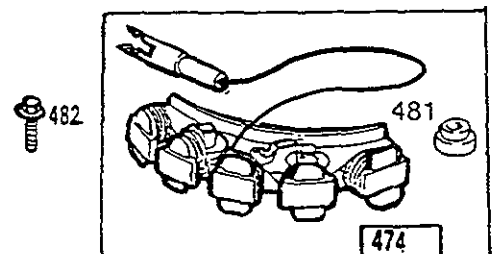
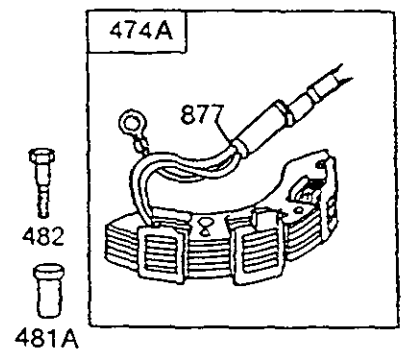
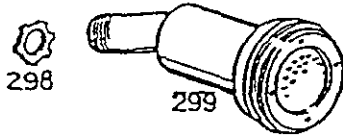
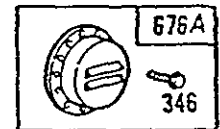
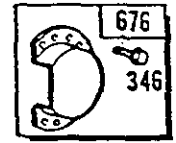
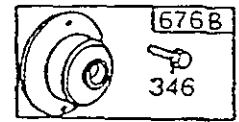
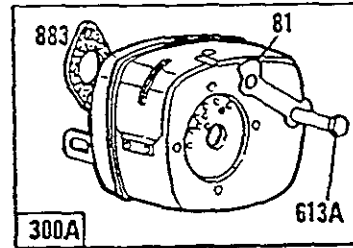
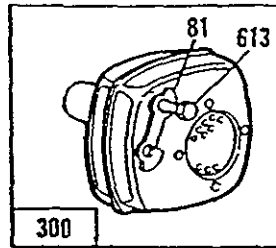
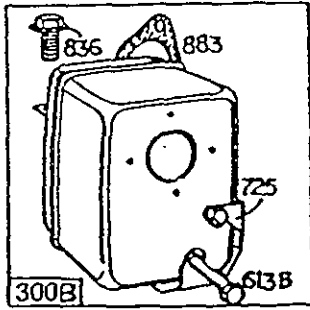
130700 to 130799
131700 to 131799



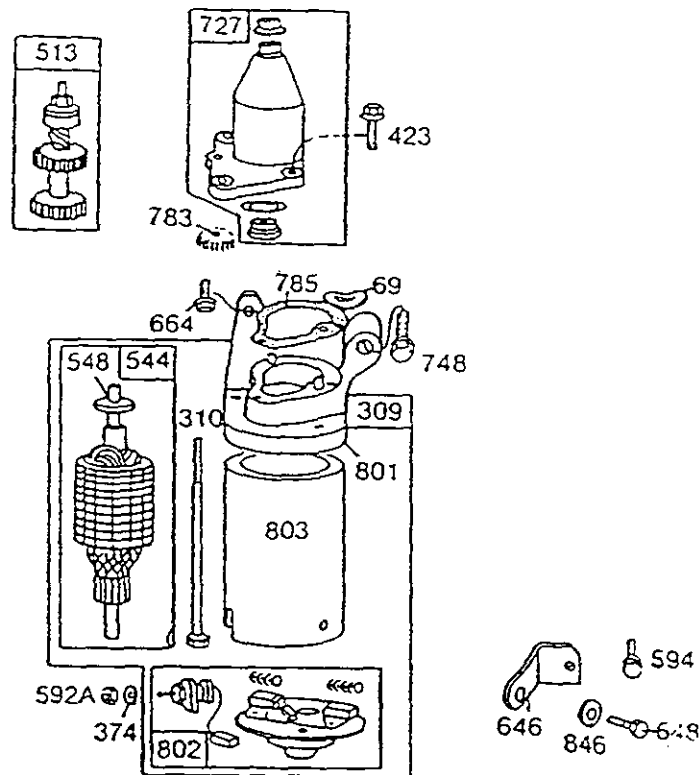
130700 to 130799
131700 to 131799



130700 to 130799
131700 to 131799



130700 to 130799
131700 to 131799



| Reference Number | 309 | 544 | 802 | 803 |
|--------------------|---------|-------------------|---------------------------|------------------|
| Starter Motor Mfr. | Motor | Armature Assembly | End Cap Ass'y. Commutator | Housing Assembly |
| American Bosch | | | | |
| 12V | 390232* | 390467 | 390465 | 390468 |

*Uses #92813 Lockwasher and #231082 Hex Nut.

| Ref Number | Ref. Number | Flywheel Ring Gear Material |
|----------------|---------------|-----------------------------|
| 513 | 727 | |
| Drive Assembly | Drive Housing | |
| 391029 | | Steel |
| 397645** | 394416 | Aluminum |

** Includes 280311 Starter Cover.

| Reference Numbers | | | | | | | | |
|-------------------|---------------------|---------------------|-----------------|---------------------|---------------------|------------------|------------------|---------------------|
| 69 | 310 | 423 | 548 | 664 | 748 | 783 | 785 | 801 |
| Washer 93676 | Motor Bolt 93648 | Sem. Screw 93654 | Washer 93649 | Mtg. Screw 93415 | Mtg. Screw 93534 | Pinion 230972 | Gasket 270677 | Mtg. Head 390318 |

| REF. NO. | PART NO. | DESCRIPTION | REF. NO. | PART NO. | DESCRIPTION | REF. NO. | PART NO. | DESCRIPTION | | |
|----------|----------|--|----------|----------|--|----------|----------|---|--------|---|
| 1 | 396006 | Cylinder Assembly Used on Model Series 130700. ----- Note ----- 399277 Cylinder Assembly (Band Brake) Used on Model Series 130700, Type No(s) 3100, 3120, 3125, 3126, 3127. 398209 Cylinder Assy. Used on Model Series 131700. ----- Note ----- 399278 Cylinder Assy. (Band Brake) Used on Model Series 131700, Type No(s) 3100, 3120, 3125, 3126, 3127, 3128, 3129, 3131, 3132, 7015, 7051. | 14 | 93369 | 3127, 3129. Screw-Cylinder Head (2-15/32" Long) | | | Used on Model Series 131700, Type No(s) 3129. | | |
| | | | 15 | 91084 | Plug-Oil Drain | 18 | 297587 | Sump-Engine ----- Note ----- 390575 Base-Engine Used on Model Series 131700, Type No(s) 4003. | | |
| | | | 16 | 492091 | Crankshaft ----- Note ----- To Replace Crankshaft Gear Pin- Order Part No. 230978. 397109 Crankshaft Used on Model Series 130700, Type No(s) 0132, 3125, 3126, 4001, and on Model Series 131700, Type No(s) 0136, 0146, 0153, 3125, 3126, 3128, 4002. 397119 Crankshaft Used on Model Series 131700, Type No(s) 4003. 492655 Crankshaft Used on Model Series 130700, Type No(s) 0131, and on Model Series 131700, Type No(s) 0130. 493410 Crankshaft Used on Model Series 130700, Type No(s) 0137, 3127, 4002, and on Model Series 131700, Type No(s) 0015, 0020, 0131, 0132, 0133, 0134, 0135, 0137, 0139, 0140, 0144, 0145, 0149, 0150, 0151, 0152, 3127, 3131, 4000, 4001, 7015, 7051. 493962 Crankshaft | | | 18A | 399198 | Sump-Engine Used on Model Series 130782 and 131782. |
| | | | | | | 19 | 297604 | Bushing ----- Note ----- Requires Special Tools For Installation. | | |
| 2 | 399268 | Bushing ----- Note ----- Requires Special Tools For Installation. | | | | 20 | *391485 | Seal-Oil | | |
| 3 | *299819 | Seal-Oil | | | | 21 | 66768 | Plug-Oil Fill | | |
| 5 | 211542 | Head-Cylinder | | | | 22 | 94607 | Screw-Hex. Hd. | | |
| 7 | *272157 | Gasket-Cylinder Head | | | | 22A | 93415 | Screw-Sem One Used in Auxiliary Drive Gear Sump Used on Model Series 130782 and 131782. | | |
| 8 | 297261 | Breather Assy. | | | | 23 | 297229 | Flywheel ----- Note ----- 399673 Flywheel Used on Model Series 130700, Type No(s) 3100, 3120, 3125, 3126, 3127, and on Model Series 131700, Type No(s) 3100, 3120, 3125, 3126, 3127, 3128, 3129, 3131, 3132, 7015, 7051. | | |
| 9 | *27549 | Gasket-Breather | | | | 23A | 493456 | Flywheel | | |
| 10 | 94621 | Screw-Sem | | | | 24 | 222698 | Key-Flywheel MODEL 130700 SERIES PISTON ASSEMBLIES: | | |
| 11 | 67738 | Tube-Breather | | | | 25 | 298904 | Piston Assy. (Standard) 298905 Piston Assy. (.010" O.S.) 298906 Piston Assy. (.020" O.S.) 298907 Piston Assy. (.030" O.S.) | | |
| 12 | *270069 | Gasket-Crankcase (.015" Thick, Standard) *270122 Gasket Crankcase (.005" Thick) *270123 Gasket- Crankcase (.009" Thick) | | | | | | | | |
| 13 | 94121 | Screw (2-3/32" Long) ----- Note ----- 93583 Stud-Cylinder Head 22963 Washer-Cylin- der Head Used on Model Series 131700, Type No(s) | | | | | | | | |

- * Included in Gasket Set-Part No. 297616.
- Included in Carburetor Kit-Part No. 492495.
- ◆ Included in Carburetor Gasket Set-Part No. 490937.

130700 to 130799
131700 to 131799

| REF. NO. | PART NO. | DESCRIPTION | REF. NO. | PART NO. | DESCRIPTION | REF. NO. | PART NO. | DESCRIPTION |
|----------|----------|-----------------------|----------|----------|-----------------------|----------|----------|-----------------------|
| | | MODEL 131700 | | | (Used Before Code | | | Used on Model Series |
| | | SERIES PISTON | | | Date 90051400). | | | 130700, |
| | | ASSEMBLIES: | | | Used on Model Series | | | Type No(s) |
| | | 393819 Piston Assy. | | | 131700. | | | 0134, 0136, 0137, |
| | | (Standard) | | | Except Type Nos. | | | 3126, |
| | | 393820 Piston Assy. | | | 0147, 0153. | | | and on Model Series |
| | | (.010" O.S.) | 34 | 261044 | Valve-Intake | | | 131700, |
| | | 393821 Piston Assy. | 35 | 260552 | Spring-Valve | | | Type No(s) |
| | | (.020" O.S.) | | | (Intake) | | | 0141, 0145, 0147, |
| | | 393822 Piston Assy. | 36 | 26478 | Spring-Valve | | | 0149, 0150, 0151, |
| | | (.030" O.S.) | | | (Exhaust) | | | 3125, 7051. |
| | | MODEL 130700 | | | ----- Note ----- | 52 | *270070 | Gasket-Intake Elbow |
| | | SERIES PISTON | | | 262750 | 54 | 93367 | Screw-Sem |
| | | RING SETS: | | | (Used After Code Date | | | (1-1/8" Long) |
| 26 | 298982 | Ring Set | | | 90051300). | 54A | 93512 | Screw-Sem |
| | | (Standard) | | | 26826 | | | (53/64" Long) |
| | | 299742 Ring Set | | | (Used Before Code | 55 | 299431 | Housing-Rewind |
| | | (Chrome Standard) | | | Date 90051400). | | | Starter |
| | | 298983 Ring Set | | | Used on Model Series | 56 | 295871 | Pulley-Starter |
| | | (.010" O.S.) | | | 131700. | 57 | 490179 | Spring-Rewind Starter |
| | | 298984 Ring Set | | | Except Type Nos. | 58 | 66884 | Rope-Starter |
| | | (.020" O.S.) | | | 0147, 0153. | | | (63" Long) |
| | | 298985 Ring Set | 37 | 222443 | Guard-Flywheel | | | 66894 Rope-Starter |
| | | (.030" O.S.) | | | ----- Note ----- | | | If Longer Rope is |
| | | MODEL 131700 | | | 222579 Guard- | | | Required, Order Rope |
| | | SERIES PISTON | | | Flywheel | | | and Cut to Required |
| | | RING SETS: | | | Used on Engines with | | | Length. |
| | | 399067 Ring Set | | | Electric Starters. | | | ----- Note ----- |
| | | (Standard) | 40 | 93312 | Retainer-Valve | | | 280406 Rope-Starter |
| | | 399014 Ring Set | | | ----- Note ----- | | | Used on Engines With |
| | | (.010" O.S.) | | | 491442 Retainer- | | | Band Brake. |
| | | 399015 Ring Set | | | Valve | 59 | 490653 | Insert-Starter Grip |
| | | (.020" O.S.) | | | (Used After Code Date | 59A | 230228 | Pin-Starter Grip |
| | | 399016 Ring Set | | | 90051300). | 60 | 490652 | Handle-Rewind |
| | | (.030" O.S.) | | | 292259 Retainer- | | | Starter |
| 27 | 26026 | Lock-Piston Pin | | | Valve | 60A | 66728 | Grip-Starter Rope |
| 28 | 298909 | Pin-Piston | | | 230126 Pin-Valve | 65 | 93067 | Screw-Gov. Lever |
| | | (Standard) | | | Spring Set | | | ----- Note ----- |
| | | 298908 Pin-Piston | | | 230127 Retainer- | | | 94128 Screw-Sem |
| | | (.005" O.S.) | | | Spring | | | Used on Engines with |
| 29 | 299429 | Rod-Connecting | | | (Used Before Code | 65A | 94018 | Bolted Rewind. |
| | | (Standard) | | | Date 90051300). | | | Screw-Sem |
| | | 390459 Rod-Conn. | | | Used on Model Series | 66 | 399671 | Clutch-Starter |
| | | (.020" Undersize) | | | 131700. | 67 | 394897 | Housing-Clutch |
| 31 | 221876 | Lock-Rod Screw | | | Except Type Nos. | 68 | 63770 | Ball-Clutch |
| 32 | 92296 | Screw-Connecting | | | 0147, 0153. | 69 | 68938 | Washer-Thrust |
| | | Rod | | | Tappet-Valve | 70 | 298799 | Ratchet-Clutch |
| 33 | 211119 | Valve-Exhaust | 45 | 260642 | Gear-Cam | 71 | 394506 | Washer-Retainer |
| | | ----- Note ----- | 46 | 212733 | Gear-Cam | 73 | 221923 | Screen-Rotating |
| | | 262464 Valve-Exhaust | 46A | 398823 | Gear-Cam | 74 | 93758 | Screw-Self Tapping |
| | | (Used After Code Date | | | (Clockwise) | 75 | 224061 | Washer-Flywheel |
| | | 90051300). | | | ----- Note ----- | 81 | 222263 | Lock-Muffler Screw |
| | | 260860 Valve-Exhaust | | | 399317 Gear-Cam | 83 | 231430 | Shaft-Drive |
| | | | | | (Counterclockwise) | | | |

- ★ Included in Gasket Set-Part No. 297616.
- Included in Carburetor Kit-Part No. 492495.
- ◆ Included in Carburetor Gasket Set-Part No. 490937.

130700 to 130799 131700 to 131799

| REF. NO. | PART NO. | DESCRIPTION | REF. NO. | PART NO. | DESCRIPTION | REF. NO. | PART NO. | DESCRIPTION |
|----------|----------|---|----------|----------|--|----------|----------|---|
| 83A | 231278 | Gear-Drive ----- Note ----- 231279 Gear-Drive Used on Model Series 130700, Type No(s) 0134, 0136, 0137, 3126, and on Model Series 131700, Type No(s) 0141, 0145, 0147, 0149, 0150, 0151, 3125, 7051. | 182 | 220195 | Bracket-Fuel Tank | 265 | 221535 | Clamp-Casing |
| 86 | 223577 | Cover-Sump | 183 | 291490 | Strap-Fuel Tank | 267 | 94204 | Screw-Hex. Hd. |
| 87 | 391484 | Seal-Oil | 184 | 91257 | Screw-Fill. Hd. | 268 | 66986 | Casing-Wire (48" Long) ----- Note ----- If Longer Casing is Needed, Specify Length in Inches; if a Shorter Casing is Needed Order and Cut to Required Length. |
| 88 | ★271814 | Gasket-Gear Case | 185 | 90970 | Nut-Square | 269 | 26099 | Wire-Control (54" Long) ----- Note ----- If Longer Wire is Needed, Specify Length in Inches; if Shorter Wire is Needed Order and Cut to Required Length. |
| 95 | 94098 | Screw-Rd. Hd. | 187 | 299146 | Line-Fuel (28" Long) Cut to Required Length. | | | |
| 98 | 398185 | Screw-Idle Adjustment | 188 | 94416 | Screw-Hex. Hd. | | | |
| 104 | ●231371 | Pin-Float Hinge | 188A | 93559 | Screw-Hex. Hd. | | | |
| 108 | 223471 | Valve-Choke | 198 | 293934 | Valve-Fuel Shut Off | | | |
| 116 | ◆ | Gasket-Sealing (Available in Kit Only). | 199 | 297563 | Outlet Assy. | | | |
| 116A | ◆280756 | Seal-O-Ring | 199A | 295896 | Outlet-Tank | | | |
| 117 | ● | Jet (Available in Kit Only). | 200 | 223886 | Guide-Air | | | |
| 118 | ●398670 | Valve and Spring- Needle | 201 | 260649 | Link-Governor | | | |
| 121 | 492072 | Carburetor Kit ----- Note ----- 494349 Carburetor Kit (For LMS-19) | 202 | 262273 | Link-Throttle | | | |
| 124 | 94119 | Screw-Carburetor Mtg. | 209 | 260711 | Spring-Governor ----- Note ----- 260703 Spring-Gov. Used on Model Series 130700, Type No(s) 0100, 0120, 0132, 0134, 0135, 0136, 0137, 3100, 3120, 4001, 4002, and on Model Series 131700, Type No(s) 0015, 0020, 0100, 0120, 0134, 0135, 0137, 0138, 0139, 0141, 0144, 0145, 0146, 0147, 0150, 0152, 0153, 3100, 3120, 3131, 4000, 4001, 4003. | | | |
| 125 | 490886 | Carburetor (LMS-9 & LMS-19) (Fixed Jet) | | | 261047 Spring-Gov. Used on Model Series 130700 , Type No(s) 0138, and on Model Series 131700, Type No(s) 0132, 0136, 0140, 0143, 3127, 3129, 4002, 7015, 7051. | | | |
| 125A | 490934 | Carburetor (LMS-8) (Adjustable Jet) | 219 | 297249 | Governor and Slinger | 300A | 390918 | Muffler-Exhaust ----- Note ----- 492940 Guard-Muffler Use(s): 93873 Screw-Sem (Guard to Cyl. Head) 94186 Screw-Hex. (2) (Guard to Muffler) 62199 Washer Used on Model Series 131700, Type No(s) 0139, 0153, 4003. |
| 127 | ● | Plug-Welch (Available in Kit Only). | 227 | 391967 | Lever-Governor | 300B | 396001 | Muffler-Exhaust |
| 130 | 223470 | Valve-Throttle | 228 | 93758 | Screw-Self Tap | 304 | 490192 | Housing-Blower ----- Note ----- 223836 Hsg.-Blower Used on Model Series 130700, Type No(s) 3100, 3120, 3125, 3126, 3127, and on Model Series 131700, Type No(s) 3100, 3120, 3125, 3126, 3127, 3128, 3129, 3131, 3132, 7015. |
| 131 | 398184 | Shaft-Throttle | 230 | 222450 | Washer-Gov. Lever | | | |
| 133 | 398187 | Float-Carburetor | 240 | 298090 | Filter-Fuel | | | |
| 134 | ●398188 | Valve-Needle (Includes Seat) | 244 | 230318 | Connector-Fuel Line | | | |
| 137 | ◆ | Gasket-Float Bowl (Available in Kit Only). | 258 | 94018 | Screw-Sem (Bracket to Cylinder) | | | |
| 141 | 398186 | Shaft-Choke | | | | | | |
| 163 | 271840 | Gasket-Air Cleaner | | | | | | |
| 180 | 291488 | Tank-Fuel (6 Quart) | | | | | | |
| 180A | 292944 | Tank-Fuel (2 Quart) | | | | | | |
| 181 | 69221 | Cap-Fuel Tank | | | | | | |

★ Included in Gasket Set-Part No. 297616.

● Included in Carburetor Kit-Part No. 492495.

◆ Included in Carburetor Gasket Set-Part No. 490937.

130700 to 130799
131700 to 131799

| REF. NO. | PART NO. | DESCRIPTION | REF. NO. | PART NO. | DESCRIPTION | REF. NO. | PART NO. | DESCRIPTION |
|-------------|---------------|---|-------------|------------------|---|-------------|------------------|---|
| | | 394918 Hsg.-Blower Used on Model Series <i>131700</i> , Type No(s) 4003. | 482 | 93639 | Screw-Sem | | | (Used Before Code Date 87120200). |
| 306 | 223804 | Shield-Cylinder | 482A | 93621 | Screw-Stator | 624 | 297252 | Lever-Linkage |
| 307 | 93490 | Screw-Sem (Used After Code Date 87020800). | 506 | 90200 | Screw-Fil. Hd. | 625 | 490193 | Manifold-Intake |
| | | ----- Note ----- | 507 | 66895 | Insulator | 634 | ◆◆ | Washer-Throttle Shaft (Available in Kit Only) |
| | | 93042 Screw-Sem (Used Before Code Date 87020900). | 520 | 93722 | Terminal | 634A | ◆◆ | Seat-Choke Shaft (Available in Kit Only) |
| 308 | 223803 | Cover-Cylinder Head | 523 | 391840 | Cap-Oil Fill | 635 | 66538 | Elbow-Spark Plug |
| 333 | 397358 | Armature-Magneto | 524 | 68838 | Seal-Oil | 655 | 222598 | Anchor-Spring |
| 334 | 93613 | Screw-Sem | 525 | 280133 | Tube-Oil | 670 | 231553 | Spacer-Tank |
| 335 | 93414 | Screw-Sem | 527 | 93376 | Clamp-Tube | 670A | 261065 | Spacer-Armature |
| 337 | 492167 | Plug-Spark (1-7/8" High, 48 mm) | 528 | 231497 | Tube-Breather | 674 | 94117 | Screw-Hex. Head |
| | | ----- Note ----- | 529 | 67608 | Grommet | 676 | 393757 | Deflector-Exhaust (Side Outlet) |
| | | 293918 Plug-Spark (1-1/2" High, 38 mm) (Resistor Type) | 552 | 231078 | Bushing-Crank | 676A | 393758 | Deflector-Exhaust |
| | | 298809 Plug-Spark (1-1/2" High, 38 mm) | 562 | 92613 | Bolt-Governor Lever | 676B | 395700 | Deflector-Exhaust |
| | | 802592 Plug-Spark (1-7/8" High, 48 mm) (Resistor Type) | 592 | 231082 | Nut-Hex. | 681 | 490890 | Valve-Needle |
| 346 | 93705 | Screw-Sem | 594 | 93559 | Screw-Hex. Hd. | 720 | 93474 | Pin-Shaft |
| 353 | 92791 | Washer-Lock | 601 | 93053 | Clamp-Hose | 721 | 221779 | Stop-Shaft |
| 354 | 90576 | Nut-Hex. | 608 | 390463 | Starter-Rewind | 725 | 223303 | Shield-Heat |
| 356 | 398808 | Wire-Stop | | | ----- Note ----- | 726 | 494548 | Gear-Ring (Includes Mtg. Screws) |
| 358 | 297616 | Gasket Set | | | 493393 Stater-Rewind Used on Model Series <i>130700</i> , Type No(s) 3125, 3126, and on Model Series <i>131700</i> , Type No(s) 3125, 3126, 3128, 3132. | 729 | 280470 | Clip-Switch Wire |
| 363 | 19069 | Flywheel Puller | 609 | 260029 | Spring-Governor | 741 | 261696 | Gear-Timing |
| 373 | 92987 | Nut-Cond. Term. (4) | 613 | 93935 | Screw-Hex. Hd. | 836 | 93559 | Screw-Hex. Head |
| 377 | 93065 | Key-Woodruff | 613A | 94042 | Screw-Muffler | 842 | 270920 | Seal-Cap |
| | | ----- Note ----- | 613B | 94054 | Screw-Shoulder Muffler | 847 | 392066 | Tube Assembly-Oil |
| | | 91540 Key-Woodruff Used on Model Series <i>131700</i> , Type No(s) 0149, 0150, 0151. | 614 | 93306 | Pin-Cotter | 851 | 221798 | Terminal-Cable |
| 382 | 93158 | Screw-Sem | 615 | 93307 | Retainer-Lock | 869 | 211787 | Seat-Intake Valve |
| 383 | 89838 | Wrench-Spark Plug | 616 | 231076 | Crank-Governor | 870 | 211172 | Seat-Exhaust Valve ----- Note ----- |
| 422 | 222576 | Bracket-Oil Fill | 617 | ◆◆ 270344 | Seal-Intake Elbow | | | 211436 Seat-Exhaust Valve (Cobalite™) Used on Model Series <i>131700</i> . |
| 474 | 494254 | Alternator (Used After Code Date 91032400). | 617A | 280203 | Seal-O-Ring | 871 | 262001 | Bushing-Guide ----- Note ----- |
| 474A | 494254 | Alternator (Used Before Code Date 91032500). | 618 | 262035 | Spring-Choke Return | | | 63709 Bushing-Guide |
| 481 | 231767 | Bushing-Alternator (Used After Code Date 91032400). | 620 | 490195 | Bracket-Carburetor ----- Note ----- | 877 | 393854 | Diode Assy. |
| 481A | 230970 | Bushing-Alternator (Used Before Code Date 91032500). | | | 399392 Control Group Used on Model Series <i>131700</i> , Type No(s) 0153. | 883 | ◆◆ 272309 | Gasket-Exhaust |
| | | ----- Note ----- | 621 | 396847 | Switch-Stop | 917 | 223271 | Handle-Shut-Off Valve |
| | | 93838 Screw- Shoulder | 622 | 260676 | Washer-Spring (Used Between Cam Gear Boss and Oil Slinger Bracket). | 922 | 261647 | Spring-Band Brake |
| | | | 623 | 231520 | Screw-Shoulder (Used After Code Date 87120300). | 923 | 394867 | Brake Assembly-Band |
| | | | | | ----- Note ----- | 940 | 223687 | Guard-Flywheel |
| | | | | | | 941 | 280395 | Cover-Linkage |
| | | | | | | 942 | 493248 | Bracket Band Brake |
| | | | | | | 949 | 280680 | Guard-Finger |
| | | | | | | 949A | 493945 | Screen-Debris (Used After Code Date 90032600). |
| | | | | | | | | ----- Note ----- |
| | | | | | | | | 399802 Screen-Debris (Used Before Code Date 90032700). |

- ★ Included in Gasket Set-Part No. 297616.
- ◆ Included in Carburetor Kit-Part No. 492495.
- ◆◆ Included in Carburetor Gasket Set-Part No. 490937.

| REF. NO. | PART NO. | DESCRIPTION | REF. NO. | PART NO. | DESCRIPTION | REF. NO. | PART NO. | DESCRIPTION |
|----------|----------|---|----------|----------|-------------------|----------|----------|-----------------------|
| 954 | 224471 | Bracket-Guard Mtg. (Used After Code Date 90032600). | 956 | 491097 | Tank-Fuel | 970 | 94118 | Screw-Hex. Head |
| | | ----- Note ----- | 957 | 397974 | Cap-Fuel Tank | 971 | 94121 | Screw-Air Cleaner |
| | | 223491 Bracket- | 958 | 399517 | Valve-Shut-Off | 975 | 398191 | Bowl-Float |
| | | Guard Mounting | 959 | 223947 | Bracket-Fuel Tank | 977 | 490937 | Gasket Set-Carburetor |
| | | (Used Before Code | 960 | 224082 | Bracket-Fuel Tank | 991 | 399039 | Filter-Air |
| | | Date 90032700). | 961 | 94357 | Screw-Sem | 992 | 223801 | Shroud-Air |
| 955 | 231373 | Screw-Hex. Hd. | 966 | 399038 | Base-Air Cleaner | 997 | 223490 | Shield-Debris |
| 955A | 231547 | Retainer-Valve | 967 | 397795 | Filter-Air | 999 | 212980 | Spacer-Oil Tube |
| | | | 968 | 280501 | Cover-Air Cleaner | 1016 | 490817 | Spacer-Starter |
| | | | 969 | 94173 | Screw-Air Cleaner | 1019 | 491101 | Label Kit |

- * Included in Gasket Set-Part No. 297616.
- Included in Carburetor Kit-Part No. 492495.
- ◆ Included in Carburetor Gasket Set-Part No. 490937.