

130900 to 130999

Illustrated Parts List

Model Series 130900 to 130999

TYPE NUMBERS
0010 through 0040
0110 through 0596

TO FIND

THE CORRECT NUMBER OF THE PART YOU NEED:

FOLLOW THE INSTRUCTIONS BELOW

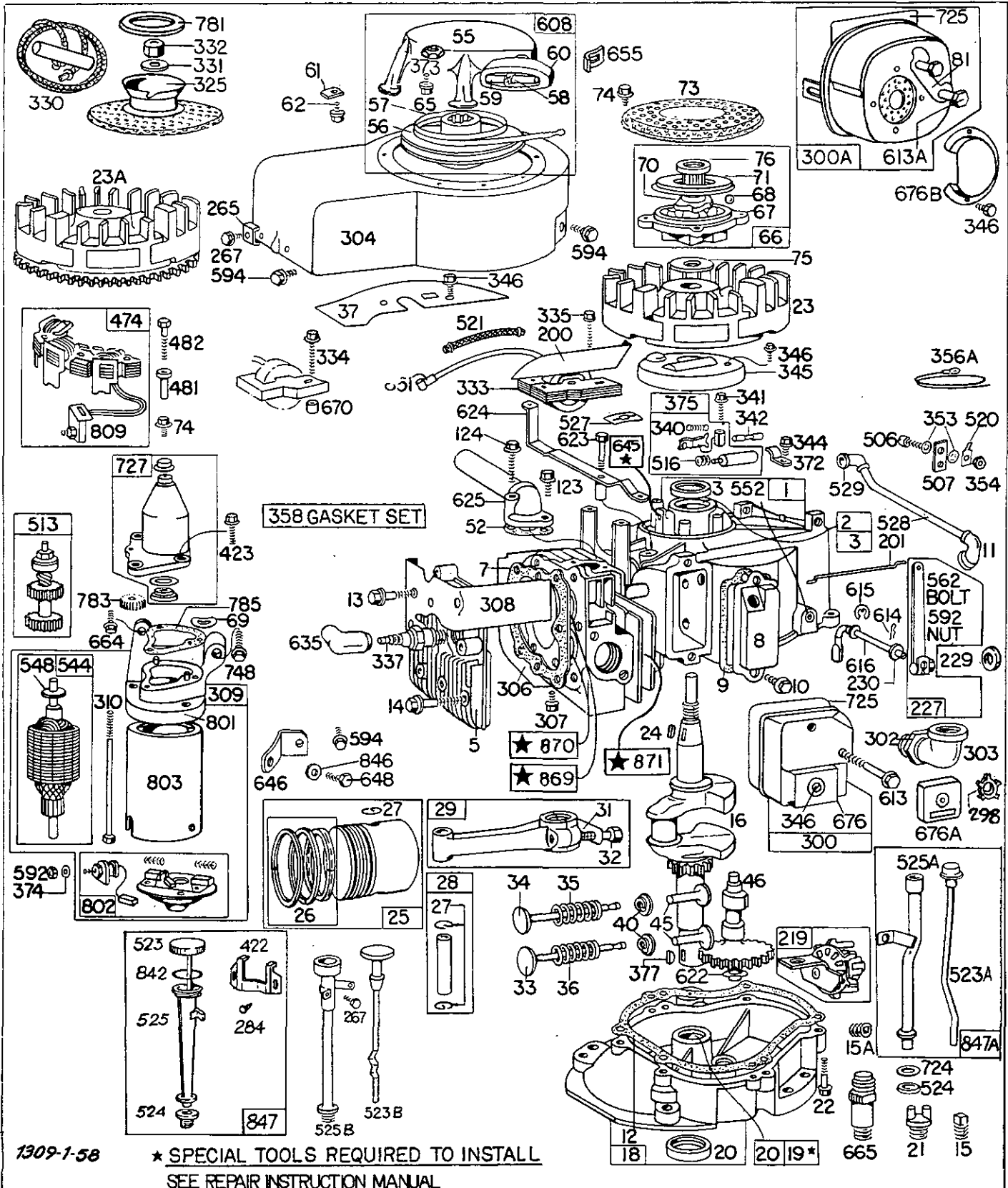
- A. Refer to Engine Model, Type and Code Number that is stamped on the blower housing of engine. Engine type numbers such as 0123 01 are listed herein only as 0123. The two digits (01 or 02, etc.) to the right of the space are not needed for parts identification. Then use the Illustrated Parts List covering these Model Series.
- B. Refer to Illustrated Parts section and compare the old part with illustration. The number on the illustration is the Reference Number. Assemblies include all parts shown in frames. All parts shown in assembly frames on which individual reference numbers are given can be purchased separately.
- C. After the Reference Number has been identified, refer to the Numerical Parts List, where Reference and Master Part Numbers are listed. **THE MASTER PART IS USED ON ALL TYPE NUMBERS EXCEPT THOSE TYPE NUMBERS UNDER "NOTE"**.
- D. If a "Note" appears below the Master Part Number, this means that this part differs from the Master Part for certain types. If the Type Number is listed under "Note", order the part referred to.
- E. If the Engine Type Number does not appear after any part number listed under "Note", use the Master Part Number.
- F. For Type Numbers higher than those covered by this book, please refer to the factory if you are unable to identify the part by comparison.

PRINTED IN U.S.A.

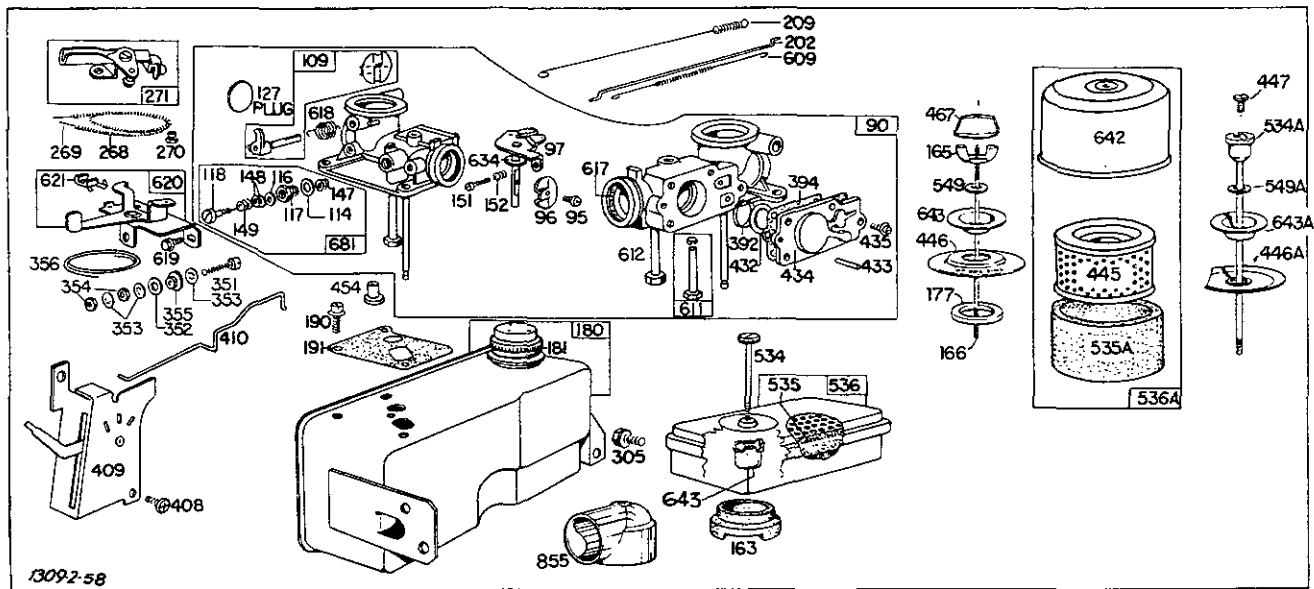


COPYRIGHT ©

130900 to 130999



Assemblies include all parts shown in frames.



Assemblies include all parts shown in frames.

REF. NO. 1 - 16

REF. NO.	PART NO.	DESCRIPTION	REF. NO.	PART NO.	DESCRIPTION	REF. NO.	PART NO.	DESCRIPTION
1	391981	Cylinder Assembly Note: 393775 Cylinder Assy. Used on type Nos. 0113, 0572, 2015, 2016.	12	270069	Gasket-Crankcase-.015" thick (Standard)		22963	Washer Used on type Nos. 0234, 0326, 0543.
2	297565	Bushing-Cylinder Note: Requires special tools for installation.		*270122	Gasket-Crankcase-.005" thick	15	91084	Plug-Oil Drain
3	89660	Seal-Oil		*270123	Gasket-Crankcase-.009" thick	15A	93418	Plug-Oil Drain (Hexagon Socket Head)
5	211542	Head-Cylinder	13	93368	Screw-Cylinder Head (2-3/32" long)		Note: 91392	Elbow-Drain-3/8" x 90° Street Elbow Used on type No. 0501.
7	*270383	Gasket-Cylinder Head		Note: 93583	Stud-Cylinder Head	16	260922	Crankshaft
8	297261	Breather-Valve Chamber		22963	Washer Used on type Nos. 0234, 0243, 0340, 0499, 0500, 0543.		Note: 260936	Crankshaft Used on type Nos. 0015, 0111, 0116, 0121, 0124, 0134, 0137, 0144, 0145, 0146, 0147, 0148,
9	*27549	Gasket-Valve Cover	14	93369	Screw-Cylinder Head (2-15/32" long)			
10	93394	Screw-Breather Mtg. Sem		Note: 93583	Stud-Cylinder Head			
11	67738	Grommet-Breather						

* Included in Gasket Set-Part No. 297616.

130900 to 130999

REF. NO. 16

REF. NO.	PART NO.	DESCRIPTION	REF. NO.	PART NO.	DESCRIPTION	REF. NO.	PART NO.	DESCRIPTION
	0149, 0155, 0162,			0189, 0190, 0191,			0538, 0540, 0542,	
	0167, 0169, 0172,			0192, 0193, 0194,			0546, 0558, 0559,	
	0175, 0179, 0180,			0198, 0199, 0202,			0566, 0567, 0573,	
	0182, 0195, 0203,			0204, 0205, 0207,			0574, 0576, 0577,	
	0206, 0209, 0211,			0214, 0217, 0221,			0580, 0581, 0583,	
	0216, 0218, 0219,			0222, 0223, 0227,			0584, 0586, 0588,	
	0220, 0225, 0226,			0231, 0236, 0237,			0592.	
	0229, 0230, 0232,			0238, 0242, 0243,			261066 Crankshaft	
	0233, 0251, 0257,			0244, 0246, 0247,			Used on type Nos.	
	0258, 0260, 0278,			0248, 0249, 0250,			0127, 0366, 0339,	
	0280, 0294, 0299,			0253, 0264, 0266,			0413, 0425, 0480,	
	0302, 0307, 0308,			0269, 0270, 0272,			0519, 0554, 0587,	
	0312, 0313, 0324,			0273, 0275, 0276,			0596.	
	0325, 0344, 0348,			0279, 0283, 0284,			261098 Crankshaft	
	0362, 0371, 0373,			0287, 0288, 0289,			Used on type Nos.	
	0374, 0383, 0394,			0291, 0293, 0297,			0025, 0259, 0261,	
	0396, 0398, 0404,			0303, 0304, 0311,			0262, 0265, 0281,	
	0406, 0407, 0408,			0315, 0316, 0317,			0285, 0286, 0295,	
	0414, 0419, 0421,			0318, 0320, 0321,			0296, 0309, 0310,	
	0423, 0427, 0432,			0323, 0327, 0329,			0358, 0393, 0416,	
	0433, 0435, 0436,			0330, 0331, 0332,			0437.	
	0441, 0443, 0444,			0333, 0334, 0335,			261099 Crankshaft	
	0447, 0460, 0464,			0338, 0340, 0341,			Used on type Nos.	
	0465, 0466, 0471,			0342, 0345, 0346,			0026, 0252, 0263,	
	0486, 0488, 0493,			0350, 0353, 0354,			0277, 0290, 0298,	
	0502, 0503, 0507,			0356, 0357, 0359,			0326, 0403, 0430,	
	0522, 0524, 0541,			0360, 0361, 0363,			0458, 0482, 0484,	
	0549, 0551, 0552,			0364, 0365, 0370,			0501, 0505, 0528,	
	0560, 0562, 0568,			0372, 0375, 0377,			0532, 0548, 0557,	
	0579, 0591, 0593,			0384, 0385, 0386,			0589.	
	0594, 2015,			0387, 0389, 0391,			261100 Crankshaft	
	260997 Crankshaft			0392, 0399, 0400,			Used on type Nos.	
	Used on type Nos.			0401, 0402, 0409,			0271, 0274, 0322,	
	0200, 0234, 0256,			0410, 0415, 0417,			0368.	
	0292, 0453, 0470,			0418, 0422, 0429,			261172 Crankshaft	
	0504, 0575.			0431, 0438, 0440,			Used on type Nos.	
	261045 Crankshaft			0442, 0448, 0451,			0487, 0511.	
	Used on type Nos.			0452, 0455, 0456,			261182 Crankshaft	
	0017, 0112, 0117,			0459, 0463, 0467,			Used on type Nos.	
	0122, 0125, 0136,			0468, 0469, 0472,			0027, 0347, 0395,	
	0138, 0139, 0140,			0473, 0474, 0479,			0397, 0434, 0454,	
	0141, 0142, 0150,			0481, 0485, 0489,			0477, 0483.	
	0151, 0154, 0157,			0492, 0496, 0497,			261229 Crankshaft	
	0158, 0159, 0160,			0492, 0495, 0496,			Used on type No.	
	0164, 0166, 0168,			0497, 0498, 0510,			0382, 0547.	
	0170, 0173, 0174,			0514, 0516, 0523,			261370 Crankshaft	
	0176, 0178, 0181,			0526, 0527, 0530,			Used on type Nos.	
	0184, 0187, 0188,			0531, 0533, 0534,			0018, 0508, 0509,	
							0543, 0545.	

REF. NO.	PART NO.	DESCRIPTION	REF. NO.	PART NO.	DESCRIPTION	REF. NO.	PART NO.	DESCRIPTION
18	297587	Sump-Oil			0256, 0300, 0341, 0352, 0361, 0379, 0399, 0469, 0495, 0498, 0577.	34	261044	Valve-Intake (Used after Code No. 6907231)
	Note:	298211 Sump-Oil Used on type Nos. 0040, 0120, 0121, 0122, 0123, 0124, 0125, 0153, 0163, 0185, 0238, 0243, 0256, 0300, 0341, 0352, 0361, 0379, 0399, 0469, 0495, 0498, 0577.	21	66768	Plug-Oil Filler		Note:	260961 Valve-Intake (Used before Code No. 6907241)
		390575 Sump-Oil Used on type Nos. 0025, 0026, 0027, 0127, 0252, 0257, 0259, 0261, 0262, 0263, 0265, 0271, 0274, 0276, 0277, 0281, 0285, 0286, 0290, 0295, 0296, 0298, 0309, 0310, 0322, 0326, 0336, 0339, 0347, 0358, 0366, 0368, 0393, 0395, 0397, 0403, 0412, 0413, 0416, 0425, 0430, 0434, 0437, 0454, 0458, 0461, 0473, 0477, 0480, 0482, 0483, 0484, 0487, 0501, 0505, 0511, 0519, 0528, 0530, 0532, 0535, 0548, 0554, 0557, 0571, 0581, 0587, 0589, 0596.	22	93032	Screw-Sump Mtg. Sem	35	260552	Spring-Intake Valve
			23	297229	Flywheel-Magneto	36	26478	Spring-Exhaust Valve
			23A	390509	Flywheel-Magneto		Note:	26826 Spring-Exhaust Valve Used on type Nos. 0113, 0572, 2015, 2016.
			24	61760	Key-Flywheel	37	222443	Guard-Flywheel
			25	298904	Piston Assembly-Standard		Note:	222579 Guard-Flywheel (Used on engines with Electric Starter)
				298905	Piston Assembly-.010" O. S.			222491 Guard-Ring Gear Uses: 93712 Screw 93713 Washer-Lock Used on type No. 0458.
				298906	Piston Assembly-.020" O. S.	40	93312	Retainer-Valve Spring
				298907	Piston Assembly-.030" O. S.		Note:	292259 Rotocap-Exhaust Valve 230126 Pin-Exhaust Valve Rotocap Retainer 230127 Retainer-Exhaust Valve Rotocap Used on type Nos. 0113, 0572, 2015, 2016.
			MODEL 130900 SERIES PISTON RING SETS:			45	260642	Tappet-Valve
				Note:	For Chrome Piston Ring Set - standard size-order Part No. 299742.	46	211117	Gear-Cam
			26	298982	Ring Set-Std. Piston		Note:	211284 Gear-Cam Used on type Nos. 0040, 0120, 0121, 0122, 0123, 0124, 0125, 0153, 0163, 0185, 0238, 0243, 0256, 0300, 0341, 0352, 0361, 0379, 0399, 0469, 0495, 0498, 0577.
				298983	Ring Set-.010" O. S. Piston	52	*270070	Gasket-Intake Elbow Mounting
				298984	Ring Set-.020" O. S. Piston			
				298985	Ring Set-.030" O. S. Piston			
			27	26026	Lock-Piston Pin			
			28	298909	Pin Assy.-Piston-Standard			
				298908	Pin Assy.-Piston-.005" O. S.			
19	297604	Bushing-Oil Sump	29	299429	Rod Assy.-Connecting			
	Note:	Requires special tools for installation.		Note:	For Connecting Rod with .020" undersize Crankpin Bore-order No. 390459.			
20	294167	Seal-Oil	31	221876	Lock-Conn. Rod Screw			
	Note:	298041 Seal-Oil (For Auxiliary Drive Shaft Used on type Nos. 0040, 0120, 0121, 0122, 0123, 0124, 0125, 0153, 0163, 0185, 0238, 0243,	32	92296	Screw-Connecting Rod			
			33	211119	Valve-Exhaust			
				Note:	260860 Valve-Exhaust Used on type Nos. 0113, 0572, 2015, 2016.			

* Included in Gasket Set-
Part No. 297616.

REF. NO.	PART NO.	DESCRIPTION	REF. NO.	PART NO.	DESCRIPTION	REF. NO.	PART NO.	DESCRIPTION
55	299431	Housing--Rewind Starter	69	93676	Washer--Spring	124	93367	Screw--Intake Elbow Mtg.
56	295871	Pulley--Rewind Starter	70	298436	Ratchet--Starter Clutch	127	22831	Plug--Welch
57	294303	Spring--Rewind Starter	71	221653	Washer--Clutch Retainer	147	230591	Seat--Needle Valve
58	66884	Rope--Rewind Starter--63" long (For use with Plastic Pulley) If longer Rope is required, order Rope No. 66894 and cut to length.		Note: 222277	Cover--Housing Used on type Nos. 0027, 0322, 0326, 0339, 0347, 0395, 0397, 0413, 0434, 0454, 0477, 0482, 0483, 0487, 0511, 0587.	148	22235	Washer--Needle Valve (2)
	Note: 66564	Rope--Rewind Starter--63" long (For use with Metal Pulley) If longer Rope is required, order Rope No. 66574 and cut to length.	73	221923	Screen--Rewind Starter	149	26336	Spring--Needle Valve
59	230228	Pin--Starter Rope	74	93490	Screw--Rotating Screen and Rectifier Mtg. Sem (Ref. No. 809)	151	92634	Screw--Machine, Rd. Hd. -5-40 x 5/8"
60	66728	Grip--Starter Rope		Note: 93521	Screw--Sem Used to mount Rotating Screen on type Nos. 0027, 0322, 0326, 0339, 0347, 0395, 0397, 0413, 0434, 0454.	152	260575	Spring--Throttle Adjustment
	Note:	Grip used on type Nos. 0336, 0337, 0355, 0439 must be ordered from Equipment Manufacturer. (MTD Part No. 11263)	75	220865	Washer--Spring	163	27660	Gasket--Air Cleaner
61	68848	Bumper--Starter Pulley	76	68238	Washer--Ratchet Sealing	Note: 270488	Gasket--Air Cleaner Mtg. Used on type Nos. 0159, 0183, 0187, 0190, 0194, 0195, 0196, 0201, 0204, 0205, 0219, 0228, 0239, 0242, 0321.	
62	93254	Screw--Pulley Bumper Mounting	81	222263	Lock--Muffler Screw	270730	Gasket--Air Cleaner Used on type Nos. 0324, 0421.	
65	93067	Screw--Stamped Steel Rewind Starter Hsg. Mounting		Note: 222265	Lock--Muffler Screw Used on type Nos. 0188, 0227, 0236, 0343, 0376, 0412, 0413, 0449.	270816	Gasket--Air Cleaner Mtg. Used on type Nos. 0135, 0231, 0247, 0250, 0273, 0282, 0292, 0336, 0374, 0415, 0427, 0530.	
	93572	Screw--Cast Rewind Starter Housing Mtg. (Used after Code No. 6909127)	90	299448	Carburetor Assembly	165	93856	Nut--Wing (# 10-32)
	Note: 93163	Screw--Rewind Starter Housing Mtg. Sem (Used before Code No. 6909157)	95	93499	Screw--Throttle Valve to Shaft Sem	166	231175	Stud--Air Cleaner
66	298310	Clutch Assy. --Rewind Starter	96	211237	Valve--Throttle	177	271077	Gasket--Air Cleaner
67	212131	Housing--Starter Clutch	97	299692	Shaft and Lever--Throttle	180	297257	Tank Assembly--Fuel
68	63770	Ball--Clutch	109	390076	Shaft, Lever and Valve--Choke	181	392304	Cap--Fuel Tank
			114	66594	Gasket--Needle Valve Nut	190	93341	Screw--Fuel Tank Mtg.
			116	65978	Packing--Needle Valve	191	*270073	Gasket--Fuel Tank Mtg.
			117	230590	Nut--Needle Valve	200	221480	Guide--Air
			118	23433	Valve--Needle	201	260649	Link--Governor
			123	93512	Screw--Intake Elbow Mtg.	202	260654	Link--Throttle
						209	260703	Spring--Governor
						Note: 260711	Spring--Governor Used on type Nos. 0015, 0016, 0017, 0018, 0025, 0026, 0027.	

* Included in Gasket Set--Part No. 297616.

REF. NO.	PART NO.	DESCRIPTION	REF. NO.	PART NO.	DESCRIPTION	REF. NO.	PART NO.	DESCRIPTION
	0040, 0130, 0131,			0457, 0460, 0461,				261108 Spring—
	0133, 0135, 0136,			0462, 0463, 0464,				Governor
	0137, 0139, 0142,			0466, 0467, 0468,				For 2600 RPM Top
	0143, 0144, 0145,			0470, 0472, 0473,				Speed Setting)
	0146, 0147, 0148,			0474, 0478, 0481,				Used on type Nos.
	0151, 0152, 0154,			0482, 0484, 0485,				0217, 0241, 0267,
	0156, 0159, 0162,			0487, 0489, 0490,				0272, 0273, 0274,
	0165, 0167, 0168,			0491, 0492, 0494,				0303, 0306, 0316,
	0172, 0177, 0179,			0496, 0501, 0503,				0320, 0321, 0322,
	0180, 0182, 0183,			0504, 0506, 0508,				0333, 0345, 0350,
	0188, 0190, 0191,			0509, 0510, 0511,				0354, 0365, 0451,
	0193, 0194, 0195,			0512, 0514, 0515,				0540, 0541, 0593.
	0197, 0199, 0201,			0516, 0517, 0518,		219	297249	Oil Slinger Gear,
	0202, 0203, 0205,			0519, 0525, 0527,				Governor and Bracket
	0206, 0207, 0208,			0528, 0532, 0533,		227	391967	Lever Assy. —Governor
	0209, 0211, 0213,			0534, 0535, 0536,				(1/4")
	0214, 0221, 0222,			0538, 0542, 0545,				Used after Code No.
	0232, 0233, 0234,			0550, 0551, 0552,				75060910.
	0236, 0238, 0239,			0555, 0556, 0557,				Note: 297583 Lever Assy. —
	0242, 0245, 0249,			0558, 0559, 0560,				Governor (3/16")
	0251, 0257, 0259,			0563, 0565, 0566,				Used before Code No.
	0260, 0262, 0264,			0570, 0571, 0572,				75061010.
	0266, 0268, 0269,			0574, 0575, 0576,		229	220680	Washer—Governor
	0270, 0275, 0276,			0584, 0587, 0589,				Lever
	0277, 0280, 0281,			0591, 0592, 2015,		230	222450	Washer—Governor
	0283, 0285, 0286,			2016.				Crank (1/4" I. D.)
	0287, 0288, 0289,			261047 Spring—				Note: 221559 Washer—Gov.
	0290, 0292, 0293,			Governor				Crank (3/16" I. D.)
	0298, 0299, 0300,			(For 3100 RPM Top		265	22372	Clamp—Casing
	0301, 0312, 0313,			Speed Setting)		267	93469	Screw—Clamp Mtg.
	0315, 0324, 0325,			Used on type Nos.		268	66986	Casing—Control Wire—
	0328, 0329, 0331,			0132, 0149, 0186,				48" long
	0332, 0336, 0337,			0212, 0215, 0224,				Note: If longer casing is
	0338, 0339, 0341,			0225, 0226, 0228,				needed, specify length
	0349, 0351, 0352,			0229, 0230, 0231,				in inches; if a shorter
	0355, 0356, 0357,			0240, 0241, 0244,				casing is needed order
	0359, 0360, 0361,			0246, 0247, 0261,				No. 66986 and cut to
	0363, 0364, 0367,			0263, 0271, 0279,				required length.
	0368, 0369, 0373,			0284, 0344, 0353,		269	26099	Wire—Control, 54"
	0374, 0384, 0387,			0372, 0375, 0385,				long
	0389, 0392, 0393,			0390, 0399, 0402,				Note: If longer wire is
	0400, 0401, 0404,			0407, 0408, 0421,				needed, specify length
	0409, 0410, 0412,			0469, 0473, 0477,				in inches, if shorter
	0413, 0414, 0415,			0483, 0507, 0523,				wire is needed order
	0417, 0423, 0426,			0531, 0543, 0546,				No. 26099 and cut to
	0427, 0428, 0431,			0561, 0564, 0569,				required length.
	0439, 0440, 0443,			0577, 0583, 0588.		270	63426	Locknut—Control Wire
	0444, 0445, 0452,							Casing

REF. NO.	PART NO.	DESCRIPTION	REF. NO.	PART NO.	DESCRIPTION	REF. NO.	PART NO.	DESCRIPTION	
271	290568	Lever Assy. -Control							
284	93804	Screw-Clamp Mtg.							
298	261409	Locknut-Muffler							
300	297274	Muffler-Exhaust (Side Outlet)							
	Note:	89953 Muffler-Exhaust Used on type No. 0420. 294599 Muffler-Exhaust Used on type Nos. 0141, 0145, 0146, 0160, 0175, 0177, 0184, 0192, 0204, 0223, 0244, 0263, 0275, 0287, 0311, 0317, 0328, 0364. 297506 Muffler-Exhaust (Direct Outlet) Used on type Nos. 0135, 0136, 0138, 0148, 0150, 0152, 0155, 0157, 0161, 0163, 0164, 0173, 0182, 0189, 0194, 0202, 0209, 0226, 0232, 0235, 0251, 0252, 0256, 0258, 0259, 0264, 0269, 0278, 0294, 0295, 0296, 0297, 0327, 0336, 0337, 0338, 0339, 0362, 0377, 0378, 0379, 0380, 0384, 0396, 0397, 0398, 0414, 0432, 0435, 0441, 0452, 0491. 391110 Muffler-Exhaust Used on type Nos. 0343, 0376, 0412, 0413, 0449, 0450, 0535, 0571.							
					393010 Muffler-Exhaust Used on type Nos. 0237, 0249, 0510, 0531, 0546, 0582, 0592.			0480, 0482, 0483, 0484, 0487, 0501, 0505, 0511, 0519, 0528, 0532, 0548, 0554, 0557, 0587, 0589, 0596.	
					393368 Muffler-Exhaust Used on type No. 0536.			391339 Housing-Blower Used on type No. 0389.	
			300A	391313	Muffler-Exhaust Note: 299629 Muffler-Exhaust Used on type No. 0188.			392277 Housing-Blower Used on type Nos. 0503, 0512, 0526, 0536, 0537, 0543, 0549, 0550, 0551, 0555, 0564, 0569, 0576, 0582, 0590, 2015, 2016.	
					390147 Muffler-Exhaust Used on type Nos. 0227, 0236.				
			302	91242	Locknut-Muffler and Elbow		305	93158	Screw-Tank Bracket Mounting Sem
			303	91464	Elbow-Muffler, 90°, Street Note: 91219 Elbow-Muffler, 45°, Street Used on type No. 0141.		306	221484	Shield-Cylinder
					91245 Nipple, Exhaust Used on type Nos. 0146, 0175.		307	93042	Screw-Sem
			304	299332	Housing-Blower Note: 390320 Housing-Blower Used on type Nos. 0025, 0026, 0027, 0127, 0252, 0259, 0261, 0262, 0263, 0265, 0271, 0274, 0277, 0281, 0285, 0286, 0290, 0295, 0296, 0298, 0309, 0310, 0322, 0326, 0339, 0347, 0358, 0366, 0368, 0393, 0395, 0397, 0403, 0413, 0416, 0425, 0430, 0434, 0437, 0454, 0458, 0477,		308	221452	Cover-Cylinder Head
							309	390232	Motor-Starting (12 volt) (American Bosch Arma No. SMG-12A-2) Note: 391355 Motor-Starting (110 volt) Uses: 390900 Cord-Starter (Includes Switch) Used on type No. 0393.
							310	93648	Bolt-Starter Motor
							325	299421	Starter Pulley with Screen
							330	69932	Rope-Starter
							331	220865	Washer-Flywheel
							332	92284	Nut-Flywheel
							333	298316	Armature-Magneto
							334	93613	Screw-Armature Mtg. Sem (2)
							335	93414	Screw-Armature Mtg. Sem

REF. NO.	PART NO.	DESCRIPTION	REF. NO.	PART NO.	DESCRIPTION	REF. NO.	PART NO.	DESCRIPTION
337	298809	Plug--Spark (with gasket) (1-1/2" High--38 M. M.) Note: Spark Plugs 298809, 29693, 293918 use Ignition Cable Terminal No. 221798. 29693 Plug--Spark (with gasket) (2" High--51 M. M.) 293918 Plug--Spark (with gasket) (1-1/2" resistor type)			0371, 0372, 0394, 0395, 0396, 0397, 0398, 0409, 0416, 0419, 0426, 0429, 0430, 0442, 0449, 0460, 0468, 0484, 0497, 0500, 0501, 0502, 0517, 0527, 0533, 0541, 0549, 0567, 0573, 0593. 391115 Wire--Ground Used on type Nos. 0320, 0321, 0322, 0326, 0329, 0340, 0344, 0345, 0356, 0357, 0358, 0363, 0368, 0375, 0376, 0384, 0386, 0389, 0400, 0401, 0407, 0432, 0433, 0434, 0435, 0436, 0437, 0439, 0440, 0441, 0448, 0450, 0454, 0461, 0463, 0467, 0471, 0474, 0477, 0485, 0487, 0489, 0499, 0510, 0523, 0531, 0535, 0571, 0584, 0587.	410	260948	Link--Speed Control
340	26018	Spring--Breaker Arm				422	222576	Clamp--Oil Filler Tube
341	93381	Screw--Breaker Arm Mounting Sem				423	93654	Screw--Sem
342	65704	Plunger--Breaker Point				432	221377	Cap--Spring
344	93042	Screw--Condenser Clamp Mtg. Sem				433	93265	Pin--Diaphragm Cover
345	220366	Cover--Breaker Point and Condenser				434	210959	Cover--Diaphragm
346	93705	Screw--Hex. Hd. Note: 93712 Screw 93713 Washer--Lock Used to mount Guard on type No. 0458.				435	93141	Screw--Diaphragm Cover
351	91920	Screw--Machine, Fil. Hd. --8-32 x 5/8"				445	392308	Cartridge--Air Cleaner
352	66794	Washer--Insulating				446	222844	Base--Air Cleaner
353	92791	Washer--Lock--Shakeproof (2)	358	297616	Gasket Set	446A	222593	Base--Air Cleaner
354	90576	Nut--Hex. --8-32	372	220477	Clamp--Condenser	447	93817	Screw--Cover Mounting
355	66554	Collar--Insulating	373	92987	Nut--Hex. (4)	454	296178	Housing--Fuel Pipe Screen (For 3/16" O. D. Pipe)
356	298479	Wire--Ground Note: 298581 Wire--Ground Used on type Nos. 0525, 0538, 0559.	374	92813	Washer--Lock	467	212293	Knob--Air Cleaner
356A	295413	Wire--Ground Note: 390919 Wire--Ground Used on type Nos. 0385, 0410, 0469, 0472, 0473, 0481, 0482, 0514, 0528, 0534, 2015, 2016. 391013 Wire--Ground Used on type Nos. 0016, 0026, 0333, 0334, 0343, 0350,	375	294628	Breaker Points and Condenser Set Note: 299061 Ignition Kit Includes: 294628 Point Set 65704 Plunger 61760 Key--Flywheel	474	390410	Stator and Rectifier Assembly--Alternator
			377	93065	Key--Woodruff No. 6	481	230970	Bushing--Stator
			392	260455	Spring--Fuel Pump Diaphragm	482	93639	Screw--Alternator Armature Mounting
			394	270026	Diaphragm	506	90200	Screw--Machine, Fil. Hd. --8-32 x 1/2"
			408	93537	Screw--Sem	507	66895	Insulator Note: 66554 Collar--Insulating Used on type Nos. 0385, 0410.
			409	299509	Housing--Speed Control	513	390581	Drive Assy. --Starter Note: 391029 Drive Assy. --Starter Used on type No. 0393.
						516	260374	Spring--Connector
						520	93722	Terminal--Spade
						521	298529	Shielding--Ignition Cable
						523	391840	Cap with Dipstick (Screw Cap)
						523A	298664	Cap with Dipstick Oil Filler (Steel Push in) For complete Oil Fill Cap and Oil Filler Tube Assy. --order No. 298715.

REF. NO.	PART NO.	DESCRIPTION	REF. NO.	PART NO.	DESCRIPTION	REF. NO.	PART NO.	DESCRIPTION
523B	390212	Cap with Dipstick—Oil Filler (Plastic Snap in) Used on type Nos. 0285, 0286, 0368, 0416, 0437, 0458.	549A	270978	Washer (Below Internal Screw Head)	617	270074	Seal—Intake Elbow Tube
524	68838	Seal—Oil Filler Tube to Sump. Note: 270306 Seal—Oil Filler Tube to Sump	552	231078	Bushing—Governor Shaft (1/4" I. D.) Used after Code No. 75060910. Note: 230735 Bushing—Gov. Shaft (3/16" I. D.) Used before Code No. 75061010.	618	260648	Spring—Choke Return
525	280133	Tube—Oil Filler to Sump (For Plastic Screw Cap Dipstick)	562	231082	Bolt—Governor Lever	619	93380	Screw—Control Plate Mounting
525A	298665	Tube—Oil Filler (For Steel Push-in Dipstick)	592	231082	Nut—Hex.—10-24	620	297548	Plate Assy.—Remote Carburetor Control Note: 297457 Plate Assy.—Manual Carburetor Control
525B	390217	Tube—Oil Filler (For Plastic Snap in Dipstick) Uses: 93612 Screw—Clamp Mtg. Used on type Nos. 0285, 0286, 0368, 0416, 0437, 0458.	594	93559	Screw—Blower Housing Mounting Sem Note: 92747 Screw—Sem Used to Mount Blower Housing, Rider-Trol and Oil Fill Tube on type Nos. 0219, 0239.			Used on type Nos. 0015, 0016, 0017, 0025, 0026, 0040, 0110, 0111, 0112, 0120, 0121, 0122, 0126, 0131, 0139, 0141, 0147, 0150, 0156, 0158, 0162, 0171, 0172, 0176, 0184, 0192, 0193, 0197, 0210, 0214, 0221, 0224, 0230, 0244, 0248, 0253, 0254, 0255, 0261, 0275, 0287, 0288, 0298, 0302, 0306, 0314, 0318, 0328, 0330, 0331, 0335, 0351, 0359, 0362, 0369, 0370, 0372, 0378, 0418, 0428, 0438, 0442, 0443, 0445, 0453, 0456, 0457, 0460, 0517, 0533, 0541, 2015, 2016.
527	93376	Clip—Breather Pipe	608	390463	Starter Assy.—Rewind			299831 Plate Assy.—Remote Carburetor Control
528	230717	Tube—Breather	609	260029	Spring—Throttle Link			Used on types Nos. 0175, 0216, 0252, 0260, 0265, 0278, 0291, 0294, 0295, 0296, 0307, 0308, 0309, 0310, 0320, 0322, 0342, 0345, 0347, 0356, 0394, 0395, 0396, 0397,
529	67608	Grommet—Breather Tube	611	391813	Fuel Pipe and Clip Assembly			
534	93374	Screw—Air Cleaner Note: 63949 Stud—Air Cleaner 92067 Nut—Wing Used on type Nos. 0324, 0421, 0427.	612	296811	Pipe—Fuel (Plastic)			
534A	93818	Screw—Air Cleaner	613	93377	Screw—Muffler Mtg. Note: 93721 Screw—Muffler Mounting 261186 Spacer—Muffler Mounting Used on type Nos. 0343, 0376, 0412, 0413, 0449, 0450.			
535	270447	Element—Air Cleaner Note: 390492 Element—Air Cleaner Uses: 390588 Cover 221969 Support Used on type Nos. 0324, 0421, 0427.	613A	93704	Screw—Muffler Mtg. Note: 93549 Screw—Muffler Mounting Used on type Nos. 0188, 0227, 0236.			
535A	270979	Element—Air Cleaner	614	93306	Cotter—Hair Pin			
536	299447	Cleaner Assembly—Air	615	93307	Retainer—E-Ring			
536A	392368	Cleaner Assy.—Air	616	231076	Crank—Governor (1/4") Used after Code No. 75061010. Note: 230714 Crank—Gov. (3/16") Used before Code No. 75060910.			
544	390467	Armature—Starter						
548	93649	Washer—Armature						
549	271118	Washer—Air Cleaner						

REF. NO.	PART NO.	DESCRIPTION	REF. NO.	PART NO.	DESCRIPTION	REF. NO.	PART NO.	DESCRIPTION
		0398, 0401, 0416, 0419, 0432, 0433, 0434, 0435, 0436, 0437, 0441, 0454, 0471, 0485, 0487, 0489.	642	222626	Cover—Air Cleaner	724	231004	Retainer—Oil Filler Tube Seal
		391091 Plate Assy. — Remote Carburetor Control Used on type Nos. 0132, 0200, 0213, 0336, 0337, 0339, 0343, 0349, 0355, 0363, 0368, 0376, 0400, 0410, 0412, 0413, 0439, 0449, 0450, 0461, 0472, 0499, 0500, 0504, 0525, 0527, 0534, 0535, 0538, 0559, 0567, 0571, 0587.	643	221321	Cup—Air Cleaner	725	221885	Shield—Heat
621	297472	Switch—Stop	643A	222845	Cup—Air Cleaner	727	390317	Housing Drive
622	260676	Washer—Spring (Used between cam gear boss and oil slinger bracket)	643B	222594	Cup—Air Cleaner	748	93534	Screw—Sem
623	93566	Screw—Shoulder	645	23513	Bushing—Plunger	781	280068	Cap Starter Pulley
624	297252	Lever—Linkage	646	222162	Bracket—Starter Motor	783	230972	Gear—Electric Starter Pinion
625	297254	Elbow and Tube—Intake	648	91439	Screw—Cap, Hex. Hd. —1/4-20 x 3/8''	785	270677	Gasket—Starter Drive Housing
634	270167	Washer—Throttle Shaft (Felt)	655	222598	Anchor—Spring Note: 221014 Anchor—Spring Used before Code No. 73061111	801	390318	End Head—Starter
635	66538	Elbow—Spark Note: 89742 Shield—Spark Plug Used on type Nos. 0324, 0373.	664	93415	Screw—Sem	802	390465	Cap Assembly— Commutator End
			665	296768	Oil Minder	803	390468	Housing Assembly— Starter
			670	261065	Spacer—Armature (2)	809	390414	Rectifier—Alternator
			676	221488	Deflector—Exhaust (Side Outlet)	842	270920	Seal—Filler Cap
			676A	221527	Deflector—Exhaust (Direct Outlet) Note: 222406 Deflector— Exhaust Used on type Nos. 0418, 0547. For Spark Arrestor, order #392195.	846	93763	Washer—Spring
			676B	222292	Deflector—Exhaust Note: For Spark Arrestor, order #392193. 222417 Deflector— Exhaust Used on type No. 0473.	847	392066	Dipstick and Tube Assembly (Plastic Screw Cap)
			681	299060	Needle Valve Kit	847A	298715	Dipstick and Tube Assembly (Steel Push in Cap)
						851	221798	Cable Terminal— Ignition
						855	211982	Elbow—Air Cleaner
						869	211158	Seat—Intake Valve (Standard)
						870	211172	Seat—Exhaust Valve (Standard)
						871	63709	Guide—Exhaust Valve