

## 130900 to 130999

# Illustrated Parts List Model Series

## 130900 to 130999

### Non-Compliance

TYPE NUMBERS  
1014 through 1261,  
4001 through 4004,  
4015 through 4025.

### Compliance

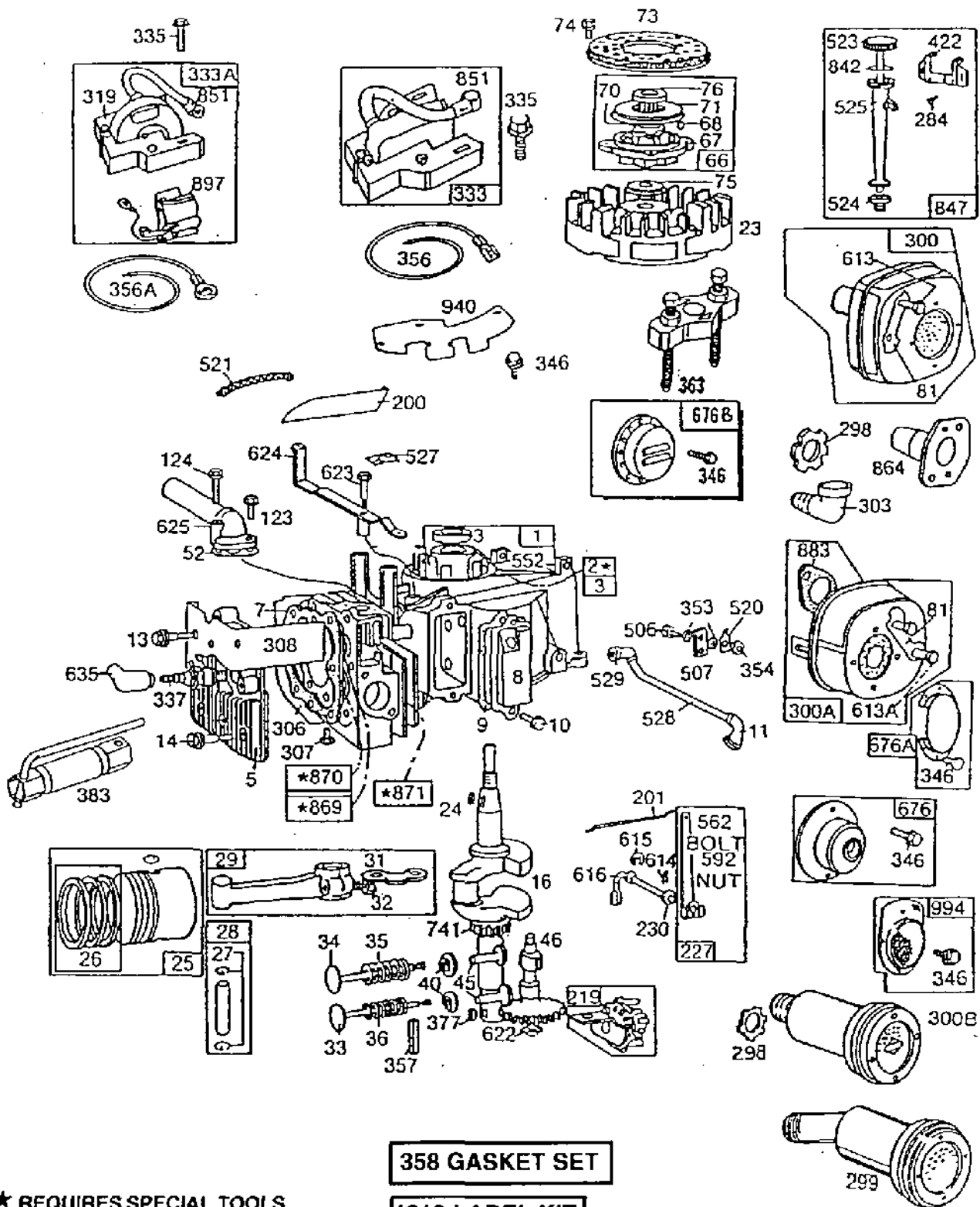
TYPE NUMBERS  
3100,  
3120 through 3129.

#### TO FIND

#### THE CORRECT NUMBER OF THE PART YOU NEED: FOLLOW THE INSTRUCTIONS BELOW

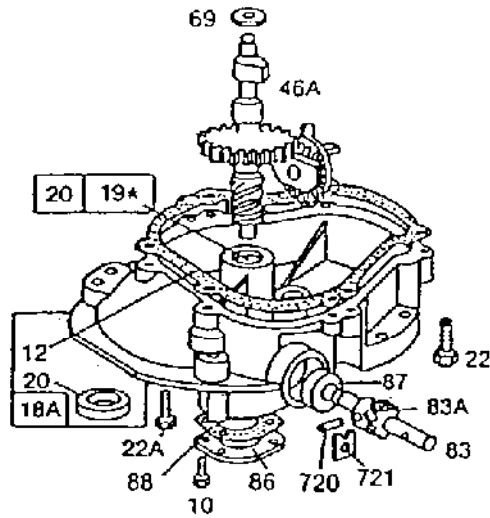
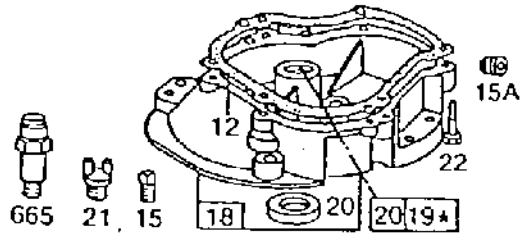
- A. Refer to Engine Model, Type and Code Number that is stamped on the blower housing of engine. Engine type numbers such as 0123 01 are listed only as 0123 in most instances. The two digits (01 or 02, etc.) to the right of the space may be required for more accurate parts identification in some instances. Select the Illustrated Parts List covering the correct Model Series and Type Number.
- B. Refer to the illustrations and compare the original part with illustration. The number next to the illustration is the Reference Number. Assemblies include all parts shown in frames. All parts shown in assembly frames having individual reference numbers can be purchased separately.
- C. After the Reference Number has been identified, refer to the Numerical text, where Reference and Primary Part Number are listed. THE PRIMARY PART IS USED ON ALL TYPE NUMBERS EXCEPT THOSE TYPE NUMBERS UNDER "NOTE."
- D. If a "Note" appears below the Primary Part Number, it means that this part differs from the Primary Part for certain types. If your Type number is listed under "Note," order the part referred to at the "Note."
- E. If your Engine Type Number does not appear after any part number listed under "Note," use the Primary Part Number.
- F. For Engine Type Numbers not covered by this book, check other Parts Lists having the same engine model or contact your source of supply.

# 130900 to 130999



★ REQUIRES SPECIAL TOOLS TO INSTALL. SEE REPAIR INSTRUCTION MANUAL.

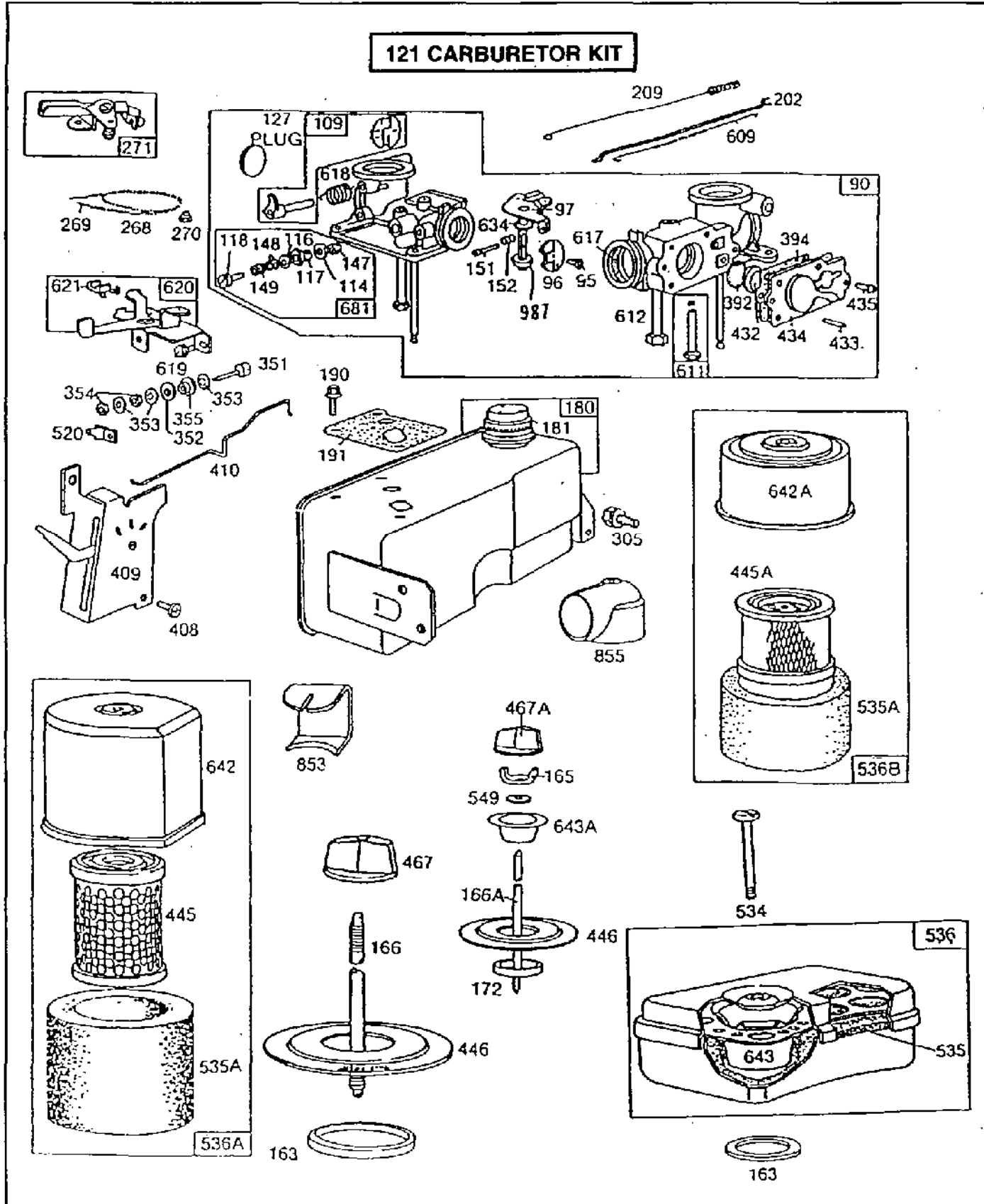
**358 GASKET SET**  
**1019 LABEL KIT**



★ REQUIRES SPECIAL TOOLS  
TO INSTALL. SEE REPAIR  
INSTRUCTION MANUAL.

# 130900 to 130999

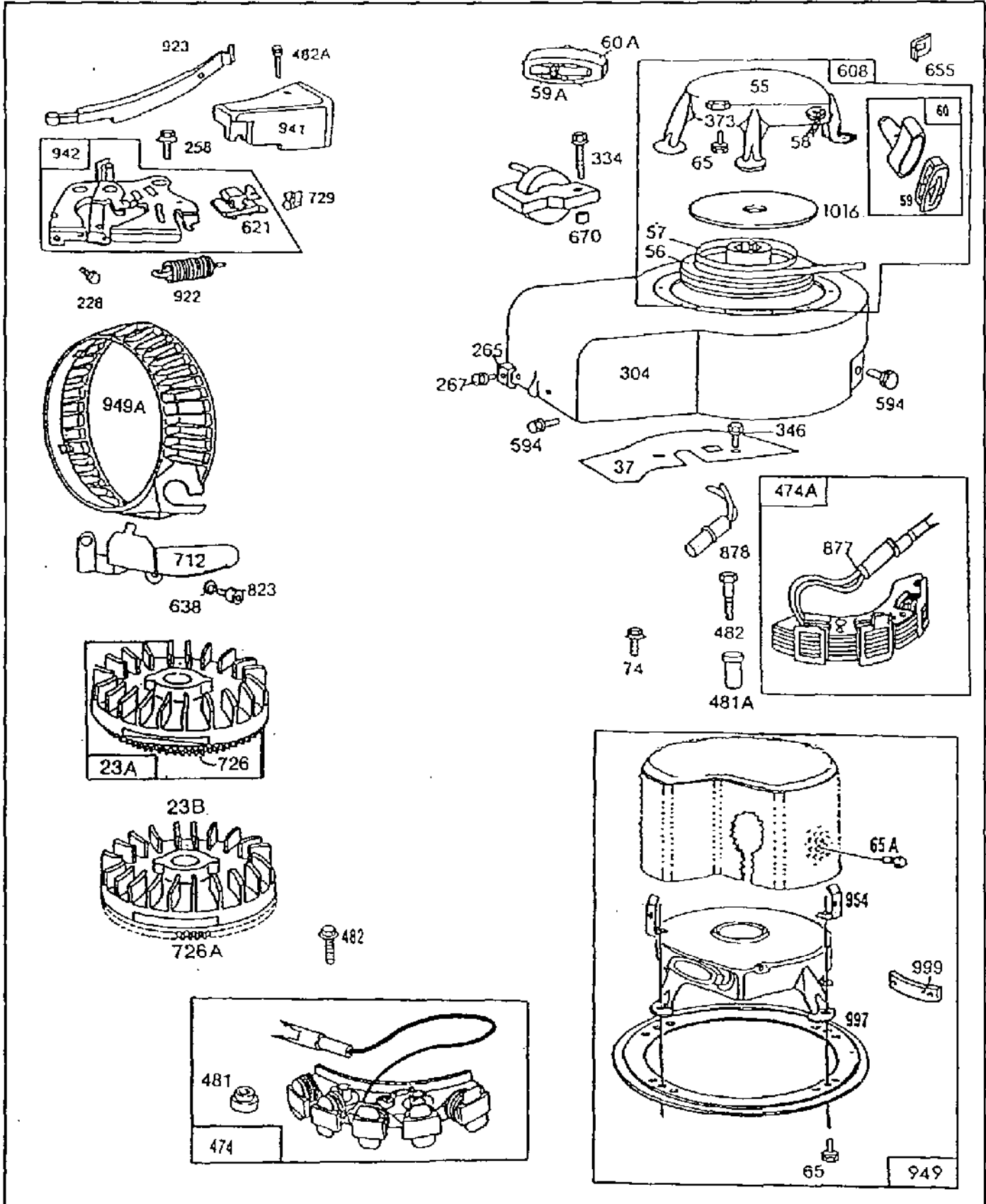
## 121 CARBURETOR KIT



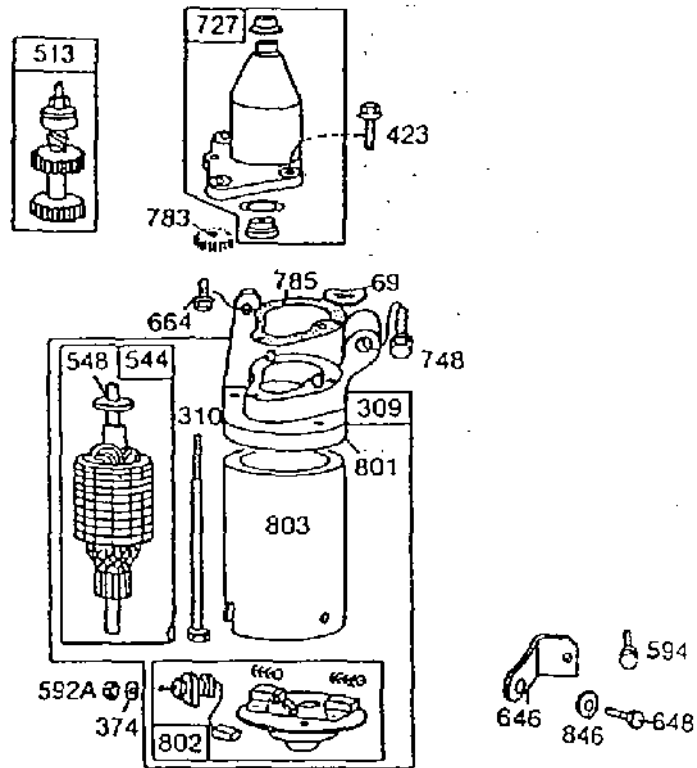
8160-4

Assemblies include all parts shown in frames.

14



# 130900 to 130999



Reference Number	309	644	802	803
Starter Motor Mfr.	Motor	Armature Assembly	End Cap Ass'y. Commutator	Housing Assembly
American Bosch				
12V	390232*	390467	390465	390468

\*Uses #92813 Lockwasher and #231082 Hex Nut.

Ref Number	Ref. Number	Flywheel Ring Gear Material
513	727	
Drive Assembly	Drive Housing	
390581	390317	Steel
397645**	394416	Aluminum

\*\* Includes 280311 Starter Cover.

Reference Numbers								
69	310	423	548	664	748	783	785	801
Washer 93676	Motor Bolt 93648	Scm. Screw 93654	Washer 93649	Mtg. Screw 93358	Mtg. Screw 93534	Pinion 230972	Gasket 270577	Mtg. Head 390318

# 130900 to 130999

REF. NO.	PART NO.	DESCRIPTION	REF. NO.	PART NO.	DESCRIPTION	REF. NO.	PART NO.	DESCRIPTION
1	396006	Cylinder Assembly ----- <b>Note</b> ----- 399277 Cylinder Assy. (Band Brake) Used on Type No(s). 3100, 3120, 3122, 3123, 3124, 3125, 3126, 3127, 3128, 3129.			Gear Pin- Order Part No. <b>230978</b> . <b>261098</b> Crankshaft Used on Type No(s). 1025, 1027. <b>397109</b> Crankshaft Used on Type No(s). 1015, 1130, 1131, 1133, 1136, 1138, 1140, 1148, 1152, 1158, 1160, 1167, 1169, 1170, 1174, 1176, 1178, 1195, 1199, 1201, 1206, 1210, 1213, 1223, 1230, 1235, 1237, 1238, 1242, 1244, 1253, 1257, 3120, 3124, 3125, 3127, 4003, 4019. <b>397115</b> Crankshaft Used on Type No(s). 1198, 1202, 1204, 1205, 1208, 1209, 1214, 1215, 1216, 1217, 1219, 1222, 1227, 1229, 1231, 1233, 1243, 1247, 1255, 1256, 3122, 3123, 3126.			Used on Type No(s). 1017, 1134, 1141, 1144, 1147, 1150, 1151, 1157, 1163, 1164, 1172, 1173, 1177, 1179, 1180, 1181, 1182, 1183, 1185, 1186, 1187, 1188, 1192, 1194, 1196, 1197, 1198, 1202, 1204, 1205, 1208, 1209, 1214, 1215, 1216, 1217, 1219, 1221, 1222, 1227, 1229, 1231, 1233, 1243, 1247, 1259, 1261, 3122, 3123, 3126, 3128, 3129, 4017.
2	297565	Bushing-Cylinder ----- <b>Note</b> ----- Requires Special Tools For Installation.				18	297587	Base-Engine ----- <b>Note</b> ----- <b>298211</b> Base-Engine Used on Type No(s). 1040, 1150, 1208, 1219, 3123, 3125. <b>390575</b> Base-Engine Used on Type No(s). 1025, 1027, 1039, 1137, 1141, 1143, 1166, 1191, 1220, 1233, 1234, 1249, 4025.
3	*299819	Seal-Oil				18A	399198	Base-Engine Used on Model Series 130982.
5	213958	Head-Cylinder				19	297604	Bushing-Oil Sump ----- <b>Note</b> ----- Requires Special Tools For Installation.
7	*272157	Gasket-Cylinder Head				20	*391485	Seal-Oil ----- <b>Note</b> ----- <b>391484</b> Seal-Oil (For Aux. Drive Shaft) Used on Type No(s). 1040, 1050, 1150, 1208, 1219, 1244, 1259, 3123.
8	297261	Breather-Valve Chamber				21	66768	Plug-Oil Filler
9	*27549	Gasket-Valve Cover				22	94607	Screw-Mtg. Sem
10	94621	Screw-Breather and P.T.O. Gear Sump Cover Mtg. Sem (Ref. No. 86)				22A	93415	Screw-Sem (One Used in Auxiliary Drive Gear Sump Used on Model Series 130982.
11	67738	Grommet-Breather						
12	*270069	Gasket-Crankcase (.015" Thick, Standard) *270122 Gasket- Crankcase (.005" Thick) *270123 Gasket- Crankcase (.009" Thick)						
13	94221	Screw-Cylinder Head (2-3/32" Long) ----- <b>Note</b> ----- 93583 Stud-Cyl. Head 22963 Washer Used on Type No(s). 1014, 1162, 1177, 1226.						
14	93369	Screw-Cylinder Head (2-15/32" Long) ----- <b>Note</b> ----- 93583 Stud-Cyl. Head 22963 Washer Used on Type No(s). 1162, 1177.						
15	91084	Plug-Oil Drain						
15A	94613	Plug-Oil Drain (Hexagon Socket Head)						
16	492091	Crankshaft ----- <b>Note</b> ----- To Replace Crankshaft						

\* Included in Gasket Set-Part No. 297616.  
● Included in Carburetor Kit-Part No. 494625.

# 130900 to 130999

REF. NO.	PART NO.	DESCRIPTION	REF. NO.	PART NO.	DESCRIPTION	REF. NO.	PART NO.	DESCRIPTION
23	297229	Flywheel-Magneto ----- Note ----- 399673 Flywheel-Magneto Used on Type No(s). 3100, 3120, 3122, 3123, 3124, 3125, 3126, 3127, 3128, 3129.	36	26478	Spring-Exhaust Valve ----- Note ----- 26826 Spring-Exhaust Valve Used on Type No(s). 1143.	59	490653	Insert-Starter Handle
23A	493456	Flywheel-Magneto	37	222443	Guard-Flywheel ----- Note ----- 222579 Guard-Flywheel (Used on Engines With Electric Starter)	59A	230228	Pin-Starter Rope
23B	394424	Flywheel Magneto	40	93312	Retainer-Valve Spring ----- Note ----- 292259 Rotocap-Exhaust Valve 230126 Pin-Exhaust Valve Rotocap Retainer 230127 Retainer-Exhaust Valve Rotocap Used on Type No(s). 1143.	60	490652	Handle-Rewind Starter
24	222698	Key-Flywheel	45	260642	Tappet-Valve	60A	66728	Grip-Starter Rope
25	298904	Piston Assy. (Standard) 298905 Piston Assy. (.010" O.S.) 298906 Piston Assy. (.020" O.S.) 298907 Piston Assy. (.030" O.S.)	46	212733	Gear-Cam ----- Note ----- 211284 Gear-Cam Used on Type No(s). 1040, 1150, 1208, 1219, 3123.	65	94128	Screw-Sem
26	298982	Ring Set-Piston (Standard) 299742 Ring Set-Piston (Std., Chrome) 298983 Ring Set-Piston (.010" O.S.) 298984 Ring Set-Piston (.020" O.S.) 298985 Ring Set-Piston (.030" O.S.)	46A	398823	Gear-Cam (Clockwise) ----- Note ----- 399317 Gear-Cam (Counterclockwise) Used on Type No(s). 1050, 1223, 1225, 1228, 1230, 1242, 1244, 1248, 1250, 1252, 1253, 3125.	65A	94018	Screw Hex. Head
27	26026	Lock-Piston Pin	52	*270070	Gasket-Intake Elbow Mounting	66	399671	Clutch Assembly-Rewind Starter
28	298909	Pin Assy.-Piston (Standard) 298908 Pin Assy.-Piston (.005" O.S.)	55	299431	Housing-Rewind Starter	67	394897	Housing-Starter Clutch
29	299429	Rod Assy.-Connecting (Standard) 390459 Rod Assy.-Connecting (.020" Undersize)	56	295871	Pulley-Rewind Starter	68	63770	Ball-Clutch
31	221876	Lock-Conn. Rod Screw	57	490179	Spring-Rewind Starter	69	68938	Washer-Thrust
32	92296	Screw-Connecting Rod	58	66884	Rope-Rewind Starter (63" Long) ----- Note ----- If Longer Rope is Required, Order Part and Cut to Required Length.	70	298799	Ratchet-Starter Clutch
33	211119	Valve-Exhaust ----- Note ----- 260860 Valve-Exhaust Used on Type No(s). 1143.	58	66884	Rope-Rewind Starter	71	394506	Washer-Clutch Retainer ----- Note ----- 222277 Cover-Hsg. Used on Type No(s). 1027, 1039.
34	261044	Valve-Intake				73	221923	Screen Rewind Starter
35	260552	Spring-Intake Valve				74	93490	Screw-Sem ----- Note ----- 93808 Screw-Sem Used on Type No(s). 1027, 1039.
						75	224061	Washer-Spring
						76	68238	Washer-Sealing (Not Used With Rubber Coated Clutch)
						81	222263	Lock-Muffler Screw
						83	231430	Shaft-Drive
						83A	231278	Gear-Drive ----- Note ----- 231279 Gear-Drive Used on Type No(s). 1050, 1223, 1225, 1228, 1230, 1242, 1244, 1248, 1250, 1252, 1253, 3125.
						86	223577	Cover-Sump
						87	391484	Seal-Oil
						88	*271814	Gasket-Sump Cover
						90	396748	Carburetor Assembly (Used After Code Date 83110700). ----- Note ----- 299448 Carb. Assy. (Used Before Code Date 83110800).
						95	93499	Screw-Sem
						96	211237	Valve-Throttle
						97	299692	Shaft-Throttle

- \* Included in Gasket Set-Part No. 297616.
- Included in Carburetor Kit-Part No. 494625.



# 130900 to 130999

REF. NO.	PART NO.	DESCRIPTION	REF. NO.	PART NO.	DESCRIPTION	REF. NO.	PART NO.	DESCRIPTION	
109	396753	Choke Assembly (Used After Code Date 83110700). ----- <b>Note</b> ----- 390076 Choke Assy. (Used Before Code Date 83110800).			1185, 1186, 1187, 1189, 1192, 1193, 1194, 1195, 1201, 1202, 1203, 1204, 1205, 1206, 1207, 1208, 1209, 1210, 1212, 1213, 1219, 1225, 1227, 1228, 1230, 1235, 1236, 1239, 1241, 1242, 1243, 1247, 1252, 1253, 1257, 1259, 1260, 3100, 3122, 3123, 3126, 3128, 3129, 4001, 4002, 4003, 4004, 4015, 4016, 4017, 4019, 4025.			If Longer Wire is Needed, Specify Length in Inches; if Shorter Wire is Needed, Order Part and Cut to Required Length.	
114	•66594	Gasket-Valve			261047 Spring-Gov.	270	63426	Locknut -Control Wire Casing	
116	•65978	Packing-Needle Valve			1147, 1148, 1149, 1150, 1158, 1159, 1162, 1178, 1179, 1181, 1184, 1188, 1198, 1200, 1214, 1216, 1226, 1229, 1244, 1249, 1250, 1254.	271	290568	Lever Assy.-Control	
117	•230590	Nut-Needle Valve			219 297249 Governor and Slinger	284	93410	Screw-Clamp Mtg. ----- <b>Note</b> ----- 94186 Screw-Clamp Mounting	
118	•23433	Valve-Needle			227 391967 Lever Assy.-Governor			Used on Type No(s). 1228, 1230, 1236, 1242, 1244, 1248, 1253.	
121	494625	Carburetor Kit			228 93758 Screw-Hex. Hd.	298	261409	Locknut-Muffler	
123	93512	Screw-Sem			230 222450 Washer-Gov. Crank	299	393368	Muffler-Exhaust	
124	93367	Screw-Sem			258 94018 Screw-Sem (Bracket to Cylinder)	300	393615	Muffler-Exhaust (Lo-Tone)	
127	22831	Plug-Welch			265 221535 Clamp-Casing (Used After Code Date 92072600). ----- <b>Note</b> ----- 22372 Clamp-Casing (Used Before Code Date 92072700).	300A	390918	Muffler-Exhaust ----- <b>Note</b> ----- 492940 Guard-Muffler	
147	•230591	Seat-Needle Valve			267 93469 Screw-Clamp Mtg.			Use(s): 93873 Screw-Sem (Guard to Cyl. Hd.) 94186 Screw-Hex. Hd. (Guard to Muffler) 222289 Washer Used on Type No(s). 1164, 1184, 1247, 1248.	
148	•22235	Washer-Needle Valve			268 66986 Casing-Control Wire (48" Long) ----- <b>Note</b> ----- If Longer Casing is Needed, Specify Length in Inches; if a Shorter Casing is Needed, Order Part and Cut to Required Length.	300B	393010	Muffler-Exhaust (Round Lo-Tone)	
149	•26336	Spring Needle Valve			269 26099 Wire-Control (54" Long) ----- <b>Note</b> -----	303	91464	Elbow-Muffler	
151	93527	Screw-Round Head				304	490192	Housing-Blower ----- <b>Note</b> ----- 223836 Housing-Blower	
152	260575	Spring-Governor						Used on Type No(s). 3100, 3120, 3122, 3123, 3124, 3125, 3126, 3127, 3128, 3129. 394918 Housing-Blower Used on Type No(s). 1025, 1027, 1039, 1127, 1137, 1143, 1191, 1220, 1234, 4025.	
163	★271139	Gasket-Air Cleaner				305	94786	Screw-Sem	
165	93856	Nut-Wing				306	221484	Shield-Cylinder	
166	231332	Stud-Air Cleaner							
166A	231175	Stud-Air Cleaner							
172	271077	Gasket-Air Cleaner							
180	297257	Tank Assembly-Fuel							
181	394818	Cap-Fuel Tank ----- <b>Note</b> ----- 396855 Cap-Fuel Tank Used on Type No(s). 1134.							
190	93440	Screw-Fuel Tank Mtg.							
191	★270073	Gasket-Fuel Tank Mtg.							
200	223886	Guide-Air							
201	260649	Link-Governor							
202	260654	Link-Throttle							
209	260711	Spring-Governor ----- <b>Note</b> ----- 260703 Spring-Gov. Used on Type No(s). 1014, 1015, 1016, 1017, 1025, 1027, 1039, 1040, 1050, 1110, 1115, 1116, 1127, 1130, 1133, 1134, 1135, 1137, 1140, 1141, 1142, 1145, 1146, 1151, 1153, 1154, 1156, 1157, 1161, 1163, 1164, 1165, 1168, 1170, 1171, 1174, 1176, 1180, 1182,							

★ Included in Gasket Set-Part No. 297616.  
● Included in Carburetor Kit-Part No. 494625.

# 130900 to 130999

REF. NO.	PART NO.	DESCRIPTION	REF. NO.	PART NO.	DESCRIPTION	REF. NO.	PART NO.	DESCRIPTION
307	93490	Screw-Sem (Used After Code Date 87020800). ----- <b>Note</b> ----- 93042 Screw-Sem (Used Before Code Date 87020900).	410	260948	Link-Speed Control			299447 Cleaner Assembly-Air (Used Before Code Date 83110800).
308	221452	Cover-Cylinder Head	422	222576	Clamp-Oil Filler Tube	536A	396397	Cleaner Assy.-Air
309		Motor-Starting <b>See Chart on Illustrated Pages.</b>	432	221377	Cap-Spring	536B	392368	Cleaner Assy.-Air ----- <b>Note</b> ----- For Dual Element Air Cleaner Kit- Order Part No. 393018.
319	395490	Armature Assembly (Less Trigger Coil)	433	93265	Pin-Diaphragm Cover			
333	397358	Armature-Magneto	434	210959	Cover-Diaphragm			
333A	397358	Armature Group	435	93141	Screw-Diaphragm Cover			
334	93613	Screw-Armature Mtg.	445	396424	Cartridge-Air Cleaner			
335	93414	Screw-Armature Mtg.	445A	392308	Cartridge-Air Cleaner			
337	492167	Plug-Spark (1-7/8" High, 48 mm) ----- <b>Note</b> ----- 293918 Plug-Spark (Resistor Type) (1-1/2" High, 38 mm) 298809 Plug-Spark (1-1/2" High, 38 mm) 802592 Plug-Spark (Resistor Type) (1-7/8" High, 48 mm)	446	222844	Base Air Cleaner			
			467	212706	Knob-Air Cleaner			
			467A	212293	Knob-Air Cleaner	549	271118	Washer-Air Cleaner
			474	494254	Stator Assy.-Alternator (Used After Code Date 91041400).	552	231078	Bushing-Gov. Shaft
			474A	494254	Stator Assembly Alternator (Used Before Code Date 91041500).	562	92613	Bolt-Governor Lever
						592	231082	Nut-Hex.
						592A	90356	Nut-Hex.
			481	231767	Spacer-Alternator (Used After Code Date 91041400).	594	93559	Screw-Hex. Head
			481A	230970	Bushing-Stator (Used Before Code Date 91041500).	608	390463	Starter Assy.-Rewind
						609	260029	Spring-Throttle Link
						611	391813	Fuel Pipe and Clip Assembly
						612	296811	Pipe-Fuel (Plastic)
						613	93935	Screw-Hex. Hd.
						613A	94042	Screw-Muffler Mtg. (Used After Code Date 82091400). ----- <b>Note</b> ----- 93704 Screw-Muffler Mounting (Used Before Code Date 82091300).
346	93705	Screw-Hex. Hd.	482	93639	Screw-Alternator Armature Mounting	614	93306	Cotter-Pin
351	91920	Screw-Machine, Fillister Hd.	482A	93621	Screw-Sem	615	93307	Retainer-E-Ring
			506	90200	Screw-Fillister Hd.	616	231076	Crank-Governor
352	66068	Washer-Insulating	507	66895	Insulator	617	280393	Seal-Intake Elbow Tube
353	92791	Washer-Lock	520	93722	Terminal-Spade	618	260648	Spring-Choke Return
354	90576	Nut-Hex.	521	298529	Shielding-Ignition Cable	619	93380	Screw-Control Plate Mounting
355	66554	Collar-Insulating	523	391840	Cap With Dipstick	620	297548	Plate-Control ----- <b>Note</b> ----- 297457 Plate-Control Used on Type No(s). 1015, 1016, 1017, 1025, 1027, 1040, 1050, 1110, 1116, 1135, 1137, 1151, 1160, 1163, 1164, 1168, 1174, 1183, 1185, 1190, 1191, 1193, 1194, 1196, 1201, 1203, 1216, 1227, 1235, 1241, 1243, 1247, 1260, 4001, 4016, 4017, 4019, 4025.
356	398808	Wire-Ground ----- <b>Note</b> ----- 396585 Wire-Ground. Used With Ref. 333A Armature Used on Type No(s). 1014, 1015, 1016, 1017, 1135, 1137, 1183, 1197, 1199, 1203, 1204.	524	68838	Seal-Oil Filler Tube to Sump			
			525	280133	Tube-Oil Filler to Sump			
			527	93376	Clip-Breather Pipe			
			528	230717	Tube-Breather			
			529	67608	Grommet-Breather Tube			
			534	94071	Screw-Air Cleaner (Used After Code Date 83110700). ----- <b>Note</b> ----- 93374 Screw- Air Cleaner (Used Before Code Date 83110800).			
357	91540	Key-Pulley	535	270447	Element-Air Cleaner			
358	297616	Gasket Set	535A	271466	Element-Air Cleaner			
363	19069	Flywheel Puller	536	397182	Cleaner Assembly-Air (Used After Code Date 83110700). ----- <b>Note</b> -----			
373	92987	Nut-Hex.						
374	92813	Washer-Lock						
377	93065	Key-Woodruff						
383	89838	Wrench-Spark Plug						
392	260455	Spring-Diaphragm						
394	270026	Diaphragm						
408	93537	Screw-Sem						
409	299509	Housing-Speed Control						

\* Included in Gasket Set-Part No. 297616.  
● Included in Carburetor Kit-Part No. 494625.

## 130900 to 130999

REF. NO.	PART NO.	DESCRIPTION	REF. NO.	PART NO.	DESCRIPTION	REF. NO.	PART NO.	DESCRIPTION
		<b>391091</b> Plate-Control Used on Type No(s). 1014, 1039, 1161, 1165, 1166, 1177, 1200, 1224, 3100, 3120, 3122, 3123, 3124, 3125, 3126, 3127, 3128, 3129.	<b>642A</b>	<b>222626</b>	Cover-Air Cleaner	<b>871</b>	<b>262001</b>	Guide-Exhaust Valve (Brass)
			<b>643</b>	<b>280374</b>	Cup-Air Cleaner			----- <b>Note</b> -----
			<b>643A</b>	<b>222845</b>	Cup-Air Cleaner			<b>63709</b> Guide-Intake Valve
			<b>646</b>	<b>222162</b>	Bracket-Starter Motor	<b>877</b>	<b>393854</b>	Diode Assembly
			<b>648</b>	<b>91468</b>	Screw-Cap, Hex. Hd.	<b>878</b>	<b>393422</b>	Harness-Alternator
			<b>655</b>	<b>222598</b>	Anchor-Spring	<b>883</b>	<b>*272309</b>	Gasket-Muffler
			<b>665</b>	<b>296768</b>	Oil Minder	<b>897</b>	<b>394970</b>	Trigger Coil
			<b>670</b>	<b>261065</b>	Spacer-Armature	<b>922</b>	<b>261647</b>	Spring-Band Brake
<b>621</b>	<b>396847</b>	Switch-Stop (Used After Code Date 85061000). ----- <b>Note</b> -----	<b>676</b>	<b>395700</b>	Deflector-Exhaust (Direct Outlet)	<b>923</b>	<b>394867</b>	Brake Assembly-Band
			<b>676A</b>	<b>393757</b>	Deflector-Exhaust (Side Outlet)	<b>940</b>	<b>223687</b>	Guard-Flywheel
			<b>676B</b>	<b>393758</b>	Deflector-Exhaust (Louvered)	<b>941</b>	<b>280395</b>	Cover-Linkage
			<b>681</b>	<b>299060</b>	Needle Valve Kit	<b>942</b>	<b>397668</b>	Bracket Assy.-Lever
<b>622</b>	<b>260676</b>	Washer-Spring (Used Between Cam Gear Boss and Oil Slinger Bracket)	<b>712</b>	<b>223141</b>	Guard-Ring Gear	<b>949</b>	<b>493945</b>	Screen-Debris (Used After Code Date 90032600). ----- <b>Note</b> -----
			<b>720</b>	<b>93474</b>	Pin-Gear to Shaft			<b>399802</b> Screen-Debris (Used Before Code Date 90032700).
			<b>721</b>	<b>221779</b>	Stop-Drive Shaft	<b>949A</b>	<b>280680</b>	Guard-Finger (Rewind Starter)
<b>623</b>	<b>231520</b>	Screw-Shoulder (Used After Code Date 87020500). ----- <b>Note</b> -----	<b>726</b>	<b>494548</b>	Gear-Ring (Includes Mtg. Screws)	<b>954</b>	<b>224471</b>	Bracket-Mounting (Used After Code Date 90032600). ----- <b>Note</b> -----
			<b>726A</b>	<b>397644</b>	Ring Gear-Flywheel (Aluminum)			<b>223491</b> Bracket-Mtg. (Used Before Code Date 90032700).
			<b>729</b>	<b>280470</b>	Clip-Wire	<b>987</b>	<b>398970</b>	Seal-Throttle Shaft (Used After Code Date 85102000).
			<b>741</b>	<b>261696</b>	Gear-Timing (Plain Bearing)	<b>994</b>	<b>399541</b>	Arrester-Spark
			<b>823</b>	<b>93712</b>	Screw-Socket Head	<b>997</b>	<b>223490</b>	Shield-Debris
<b>624</b>	<b>297252</b>	Lever-Linkage	<b>842</b>	<b>270920</b>	Seal-Filler Cap	<b>999</b>	<b>212980</b>	Spacer-Oil Fill Tube
<b>625</b>	<b>297254</b>	Elbow and Tube-In- take	<b>846</b>	<b>93763</b>	Washer-Spring	<b>1016</b>	<b>490817</b>	Spacer
			<b>847</b>	<b>392066</b>	Dipstick and Tube Assembly (Plastic Screw Cap)	<b>1019</b>	<b>491101</b>	Label Kit
<b>634</b>	<b>271853</b>	Washer-Throttle Shaft (Foam) ----- <b>Note</b> -----	<b>851</b>	<b>221798</b>	Cable Terminal- Ignition			
			<b>853</b>	<b>394850</b>	Brace-Air Cleaner			
			<b>855</b>	<b>211982</b>	Elbow-Air Cleaner			
<b>635</b>	<b>66538</b>	Elbow-Spark	<b>854</b>	<b>394279</b>	Adapter-Muffler			
<b>638</b>	<b>93713</b>	Washer-Lock	<b>869</b>	<b>211787</b>	Seat-Intake Valve			
<b>642</b>	<b>223306</b>	Cover-Air Cleaner	<b>870</b>	<b>211172</b>	Seat-Exhaust Valve			

\* Included in Gasket Set-Part No. 297616.  
● Included in Carburetor Kit-Part No. 494625.

