

**131200 to 131299**

# Illustrated Parts List

## Industrial/Commercial

## Model Series

# 131200 to 131299

TYPE NUMBERS  
0110 through 0260  
2035 through 2038  
and 2049

### TO FIND

**THE CORRECT NUMBER OF THE PART YOU NEED:**

**FOLLOW THE INSTRUCTIONS BELOW**

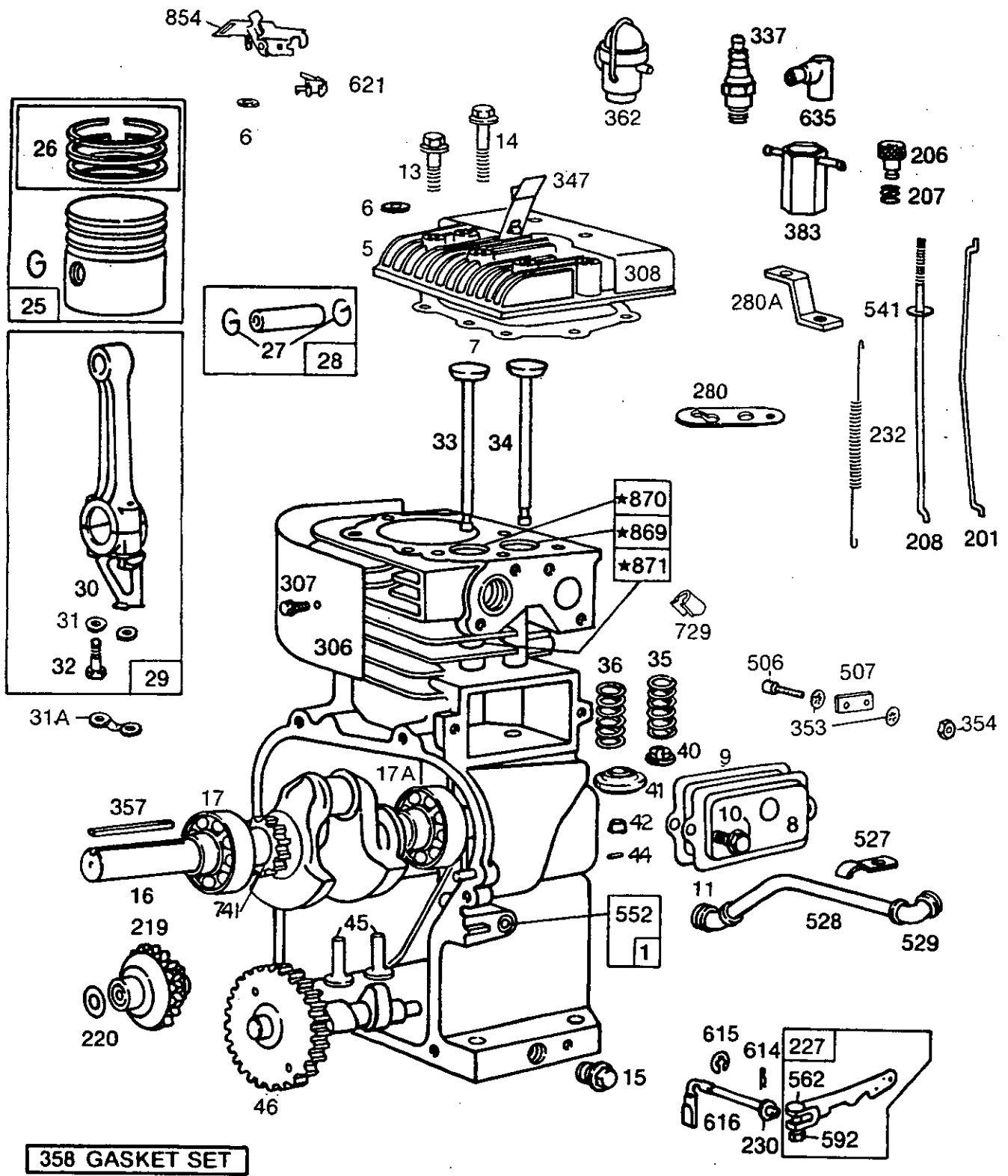
- A. Refer to Engine Model, Type and Code Number that is stamped on the blower housing of engine. Engine type numbers such as 012301 are listed herein only as 0123. The two digits (01 or 02, etc.) to the right of the space are not needed for parts identification. Then use the Illustrated Parts List covering the Model Series.
- B. Refer to Illustrated Parts section and compare the old part with illustration. The number on the illustration is the Reference Number. Assemblies include all parts shown in frames. All parts shown in assembly frames on which individual reference numbers are given can be purchased separately.
- C. After the Reference Number has been identified, refer to the Numerical Parts List, where Reference and Master Part Number are listed. **THE MASTER PART IS USED ON ALL TYPE NUMBERS EXCEPT THOSE TYPE NUMBERS UNDER "NOTE".**
- D. If a "Note" appears below the Master Part Number, this means that this part differs from the Master Part for certain types. If the Type number is listed under "Note", order the part referred to.
- E. If the Engine Type Number does not appear after any part number listed under "Note", use the Master Part Number.
- F. For Type Numbers higher than those covered by this book, please refer to the factory if you are unable to identify the part by comparison.

PRINTED IN U.S.A.

COPYRIGHT ©



# 131200 to 131299



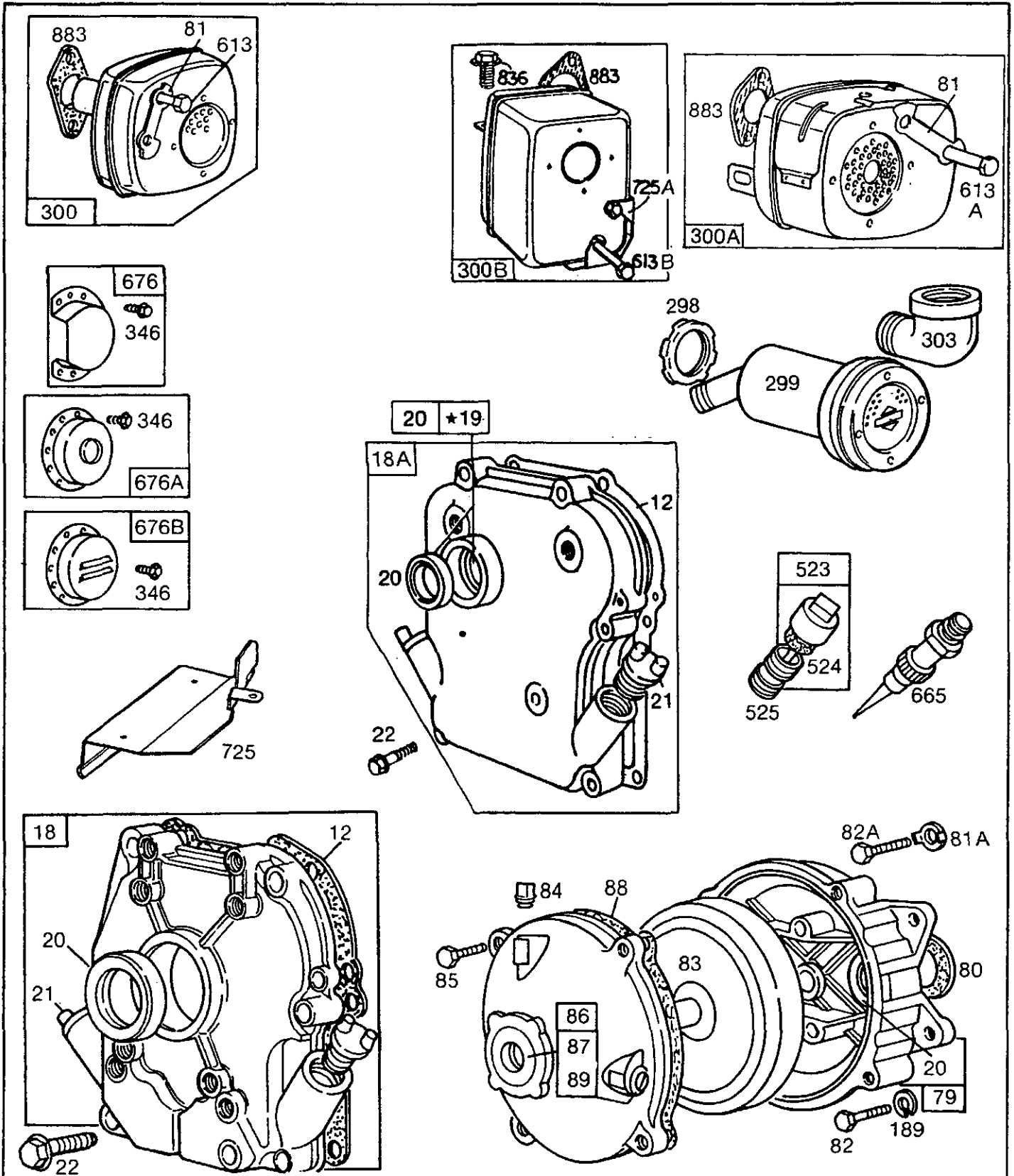
**358 GASKET SET**

\*REQUIRES SPECIAL TOOLS TO INSTALL.  
SEE REPAIR INSTRUCTION MANUAL.

7074-1

Assemblies include all parts shown in frames.

35

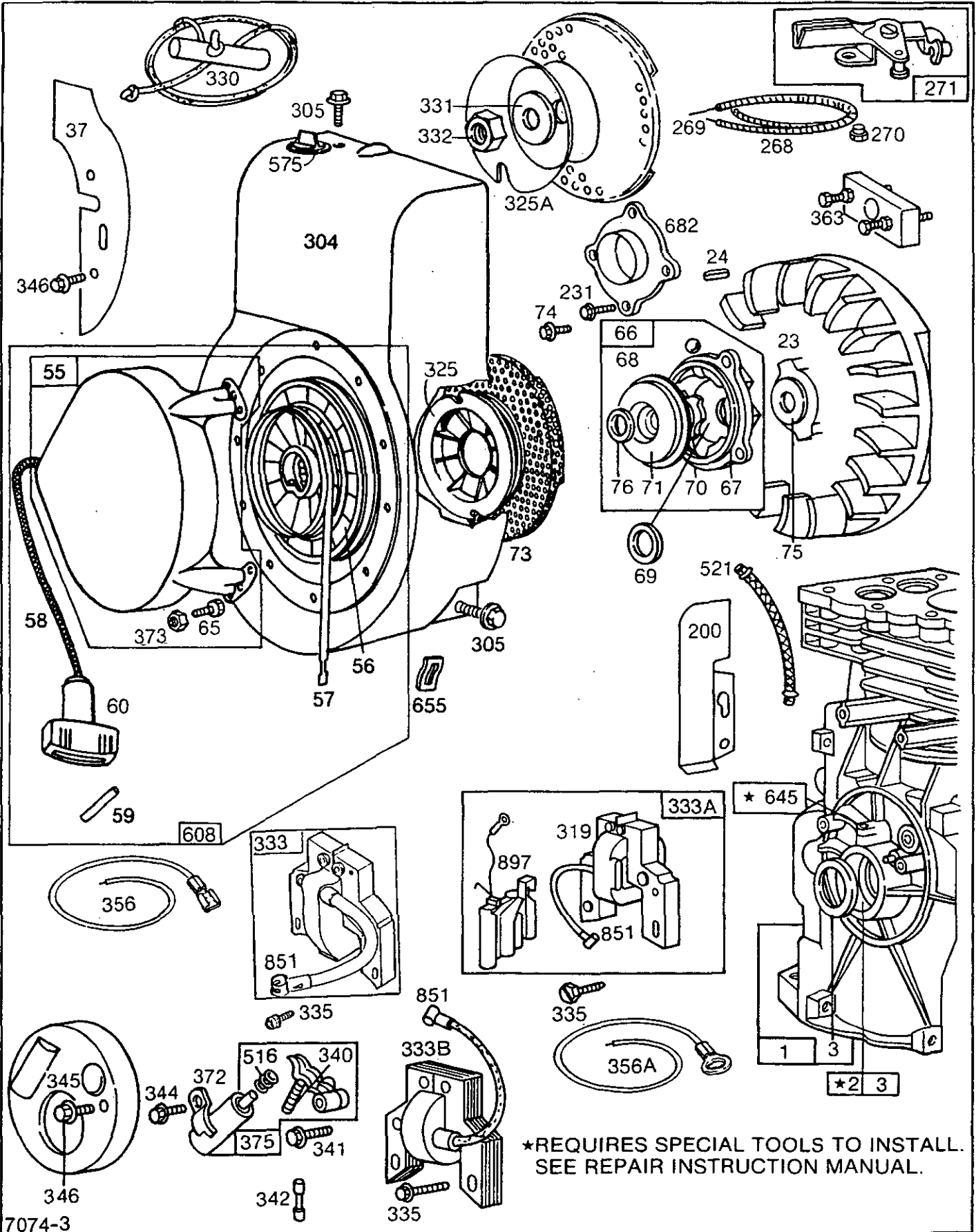


**\*REQUIRES SPECIAL TOOLS TO INSTALL.  
SEE REPAIR INSTRUCTION MANUAL.**

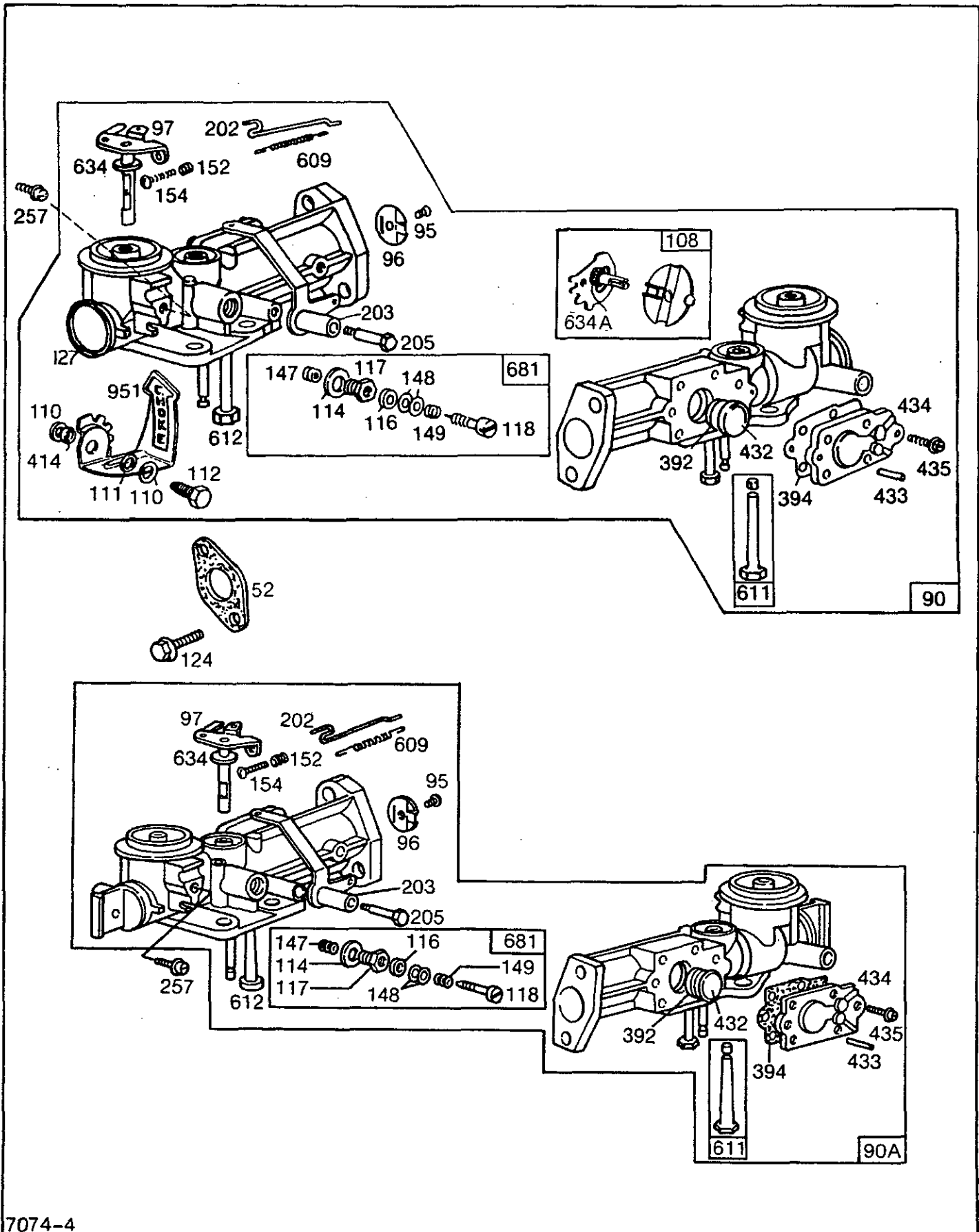
7074-2

Assemblies include all parts shown in frames.

# 131200 to 131299



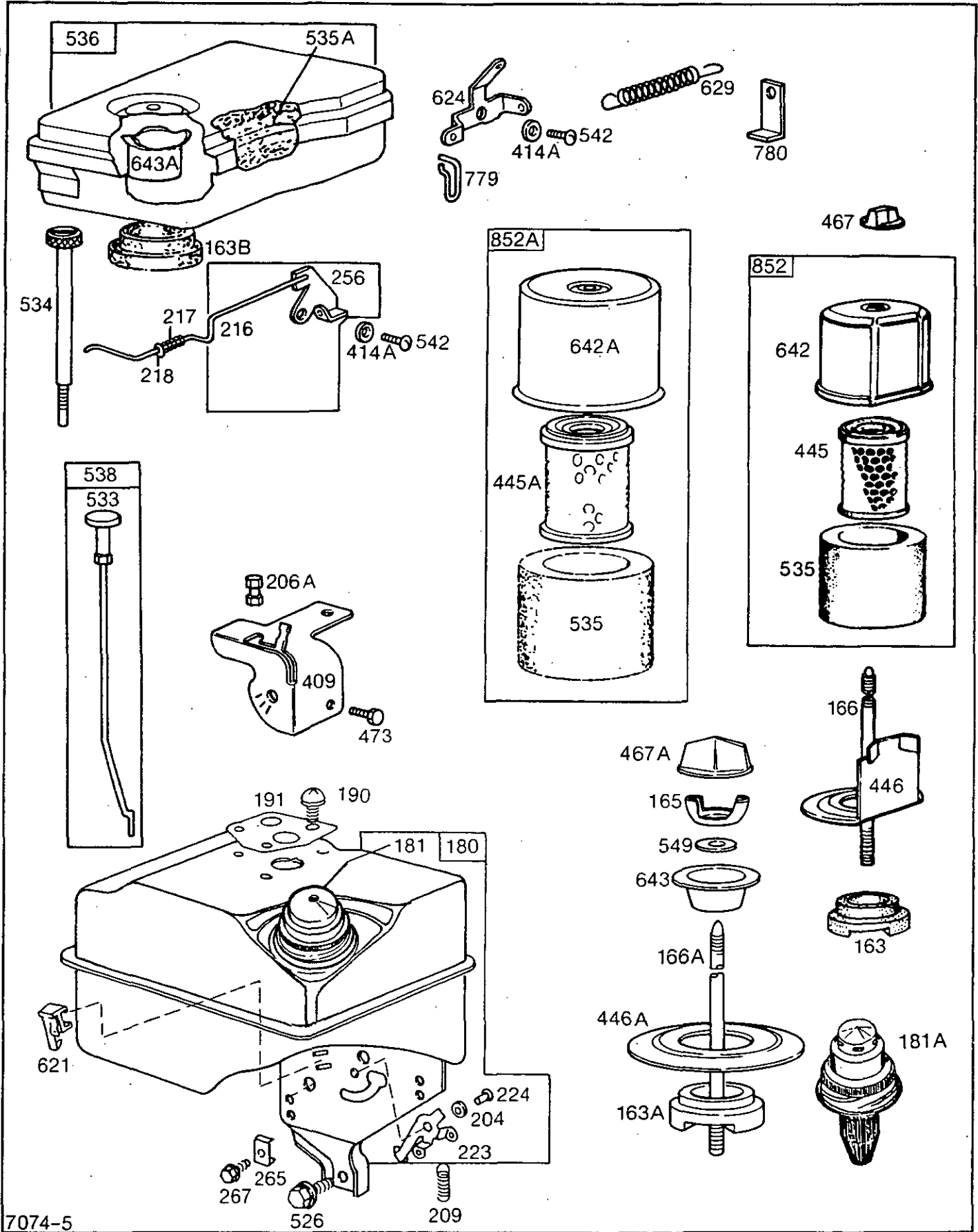
Assemblies include all parts shown in frames.



7074-4

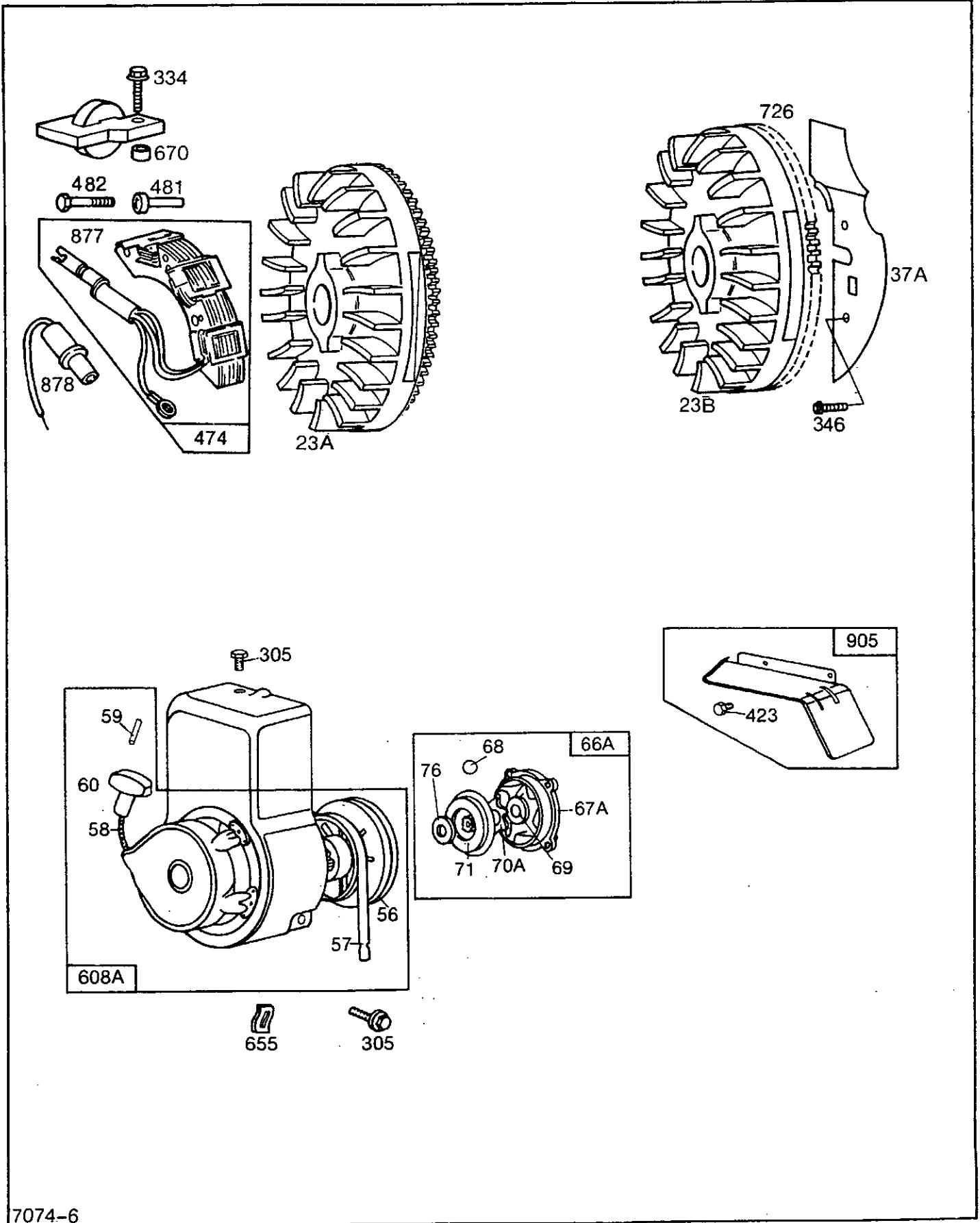
Assemblies include all parts shown in frames.

# 131200 to 131299



7074-5

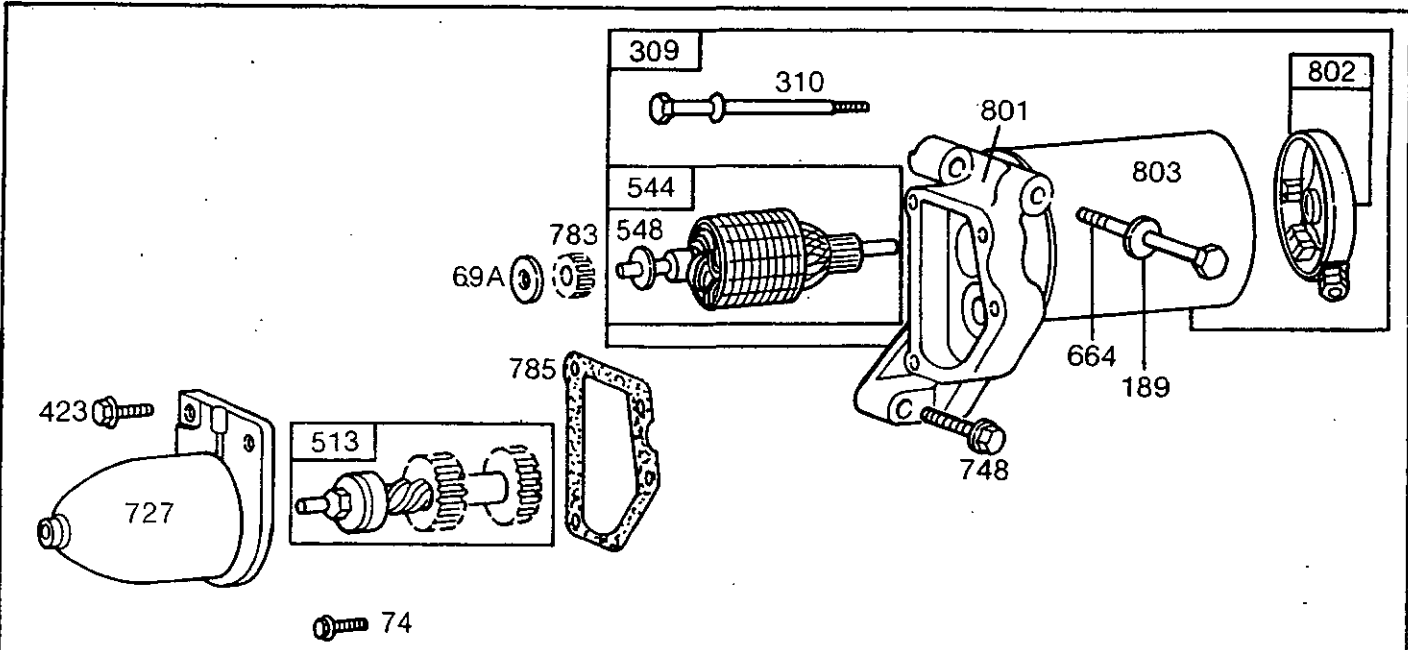
Assemblies include all parts shown in frames.



7074-6

Assemblies include all parts shown in frames.

# 131200 to 131299



Subject	Ref. No. 309	Ref. No. 544	Ref. No. 803	Ref. No. 802
Starter Motor Mfr.	Motor	Armature Assembly	Housing Assembly	End Cap Assy. Commutator
American Bosch				
12V	390551*	390467	390468	390465

Ref. No. 513	Ref. No. 727	Flywheel Ring Gear Material
Drive Assembly	Drive Housing	
390581	390543	Steel
397645**	394408	Aluminum

\*Used #92813 Lockwasher and #231082 Hex Nut.

\*\*Includes 280311 Starter Cover.

Ref. No. 423	Ref. No. 785	Ref. No. 783	Ref. No. 69	Ref. No. 310	Ref. No. 548	Ref. No. 664	Ref. No. 748	Ref. No. 801
Sem Screw 93654	Gasket 270718	Pinion 230972	Washer 93676	Motor Bolt 93648	Washer 93649	Mtg. Screw 93358	Mtg. Screw 93534	Mounting Head 390544

7074-7

Assemblies include all parts shown in frames.



# 131200 to 131299

REF. NO.	PART NO.	DESCRIPTION	REF. NO.	PART NO.	DESCRIPTION	REF. NO.	PART NO.	DESCRIPTION
1	393839	Cylinder Assembly		393847	Crankshaft	17A	99157	Bearing—Ball (Magneto Side)
2	297565	Bushing—Cylinder			Used on Type Nos. 0130, 0136, 0148, 0158, 0164, 0190, 0196, 0208, 0211, 0213, 0218, 0232, 0237, 0249, 2035.	18	298204	Cover Assembly— Crankcase (Ball Bearing)
	<b>Note:</b>	Requires special tools for installation.				18A	298517	Cover Assy.— Crankcase (Plain Bearing)
3	299819	Seal—Oil		393849	Crankshaft		<b>Note:</b>	298183 Cover Assy.— Crankcase Used on Type Nos. 0117, 0217, 0223, 0235, 0252.
5	211542	Head—Cylinder			Used on Type Nos. 0131, 0133, 0134, 0142, 0143, 0145, 0146, 0149, 0150, 0152, 0154, 0159, 0161, 0162, 0165, 0170, 0174, 0183, 0188, 0189, 0191, 0207, 0209, 0222, 0239, 0245, 2038.	19	267603	Bushing—Crankcase Cover
6	22963	Washer—Flat		393928	Crankshaft		<b>Note:</b>	Requires special tools for installation.
7	*270383	Gasket—Cylinder Head			Used on Type Nos. 0141, 0151, 0157, 0171, 0173, 0177, 0180, 0181.	20	294606	Seal—Oil
8	294178	Breather—Valve Chamber		394295	Crankshaft		<b>Note:</b>	393812 Seal—Oil Used on Model 131231, 131232, 131233, 131235, 131236, 131237 Series Engines. 298504 Oil Seal and Spacer Used on Type Nos. 0116, 0156.
9	* 27549	Gasket—Valve Cover			Used on Type Nos. 0116, 0156, 0167, 0185, 0192, 0194, 0200, 0201, 0202, 2024, 2049.			391484 Seal—Oil Used on the Auxiliary P.T.O. Shaft on Type Nos. 0117, 0217, 0223, 0235, 0252.
10	93394	Screw—Breather Mtg. Sem		394403	Crankshaft	21	66768	Plug—Oil Filler
11	66578	Grommet—Breather Tube			Used on Type No. 0182, 0214, 0226, 0228, 0233, 0238.	22	93032	Screw—Crankcase Cover Mounting Sem
12	*270080	Gasket—Crankcase— .015" thick (Standard)		395525	Crankshaft	23	297229	Flywheel—Magneto
	*270125	Gasket—Crankcase— .005" thick			Used on Type Nos. 0117, 0217, 0223, 0235.	23A	390509	Flywheel Assembly (With Steel Ring Gear)
	*270126	Gasket—Crankcase— .009" thick		395651	Crankshaft	23B	394424	Flywheel Assembly (With Aluminum Ring Gear)
13	93368	Screw—Cylinder Head (2-3/32" long)			Used on Type No. 0225.	24	222698	Key—Flywheel (For MAGNETRON® Ignition)
	<b>Note:</b>	93583 Stud—Cylinder Head 22963 Washer Used on Type Nos. 0132, 0179, 0188, 0221, 0235, 0236, 0251, 0252.		396820	Crankshaft		<b>Note:</b>	61760 Key—Flywheel (For Breaker Ignition System)
14	93369	Screw—Cylinder Head (2-15/32" long)		397084	Crankshaft	25	393819	Piston Assy.—Standard
	<b>Note:</b>	93583 Stud—Cylinder Head 22963 Washer Used on Type Nos. 0132, 0153, 0179, 0188, 0221, 0235, 0236, 0251, 0252.			Used on Type No. 0252.		393820	Piston Assy.—.010" O.S.
15	91249	Plug—Pipe, 1/4" Std., Square Head		397086	Crankshaft		393821	Piston Assy.—.020" O.S.
	<b>Note:</b>	93448 Plug—Pipe (Hex Socket) Used on Type Nos. 0215, 0216, 0217, 0223.			Used on Type No. 0253.		393822	Piston Assy.—.030" O.S.
16	393596	Crankshaft		397094	Crankshaft			
	<b>Note:</b>	To Replace Crankshaft Gear Pin, Order Part No. 230978.			Used on Type Nos. 0254, 0256, 0259.			
			17	99158	Bearing—Ball (P.T.O. Side)			

\*Included in Gasket Set—  
Part No. 397145.

# 131200 to 131299

REF. NO.	PART NO.	DESCRIPTION	REF. NO.	PART NO.	DESCRIPTION	REF. NO.	PART NO.	DESCRIPTION
		<b>The Following Piston Ring Sets Are Used After Code Date 85042100.</b>	35	260552	Spring—Intake Valve	58	66884	Rope—Rewind Starter—63" long
26	399067	Ring Set—Std. Piston	36	26826	Spring—Exhaust Valve			(For use with Plastic Pulley)
	399014	Ring Set—.010" O.S. Piston		<b>Note:</b>	26478 Spring—Exhaust Valve			If longer rope is required, order rope No. 66894 and cut to length.
	399015	Ring Set—.020" O.S. Piston			Used on Type Nos. 0139, 0140, 0141, 0144, 0156, 0180, 0193, 0194, 0218, 0222, 0225, 0233, 0237, 0238, 0253.	59	230228	Pin—Starter Grip
	399016	Ring Set—.030" O.S. Piston	37	222443	Guard—Flywheel	60	66728	Grip—Starter Rope
		<b>The Following Piston Ring Sets Are Used Before Code Date 85042200.</b>	37A	222578	Guard—Flywheel	65	93105	Screw—Stamped Steel Housing Mtg. Sem
		<b>Note:</b> For Chrome Piston Ring Set—Standard Size—Order Part No. 299742.			Used on Engines with Electric Starters)		<b>Note:</b>	94063 Screw—Housing Mtg. Used on Type No. 0249.
393835		Ring Set—Standard Piston	40	93312	Retainer—Intake Valve Spring	66	298310	Clutch Assy.—Rewind Starter
393836		Ring Set—.010" O.S. Piston	41	292259	Rotacap—Exhaust Valve	66A	394558	Clutch Assembly—Rewind Starter
393837		Ring Set—.020" O.S. Piston	42	230127	Retainer—Exhaust Valve Rotacap			For engines with Ring Gear on Flywheel equipped for or with Electric Motor.
393838		Ring Set—.030" O.S. Piston		<b>Note:</b>	93312 Retainer—Exhaust Valve Spring	67	212131	Housing—Starter Clutch
27	26026	Lock—Piston Pin			Used on Type Nos. 0139, 0140, 0141, 0144, 0156, 0180, 0193, 0194, 0218, 0222, 0225, 0233, 0237, 0238, 0253.	67A	394897	Housing—Rewind Starter Clutch
28	298909	Pin Assy.—Piston—Standard	44	230126	Pin—Exhaust Valve Rotacap Retainer			For engines with Ring Gear on Flywheel equipped for or with Electric Motor.
	298908	Pin Assy.—Piston—.005" O.S.	45	260642	Tappet—Valve	68	63770	Ball—Clutch
29	299430	Rod Assy.—Connecting	46	212733	Gear—Cam	69	66718	Washer—Starter Clutch, Thrust
	<b>Note:</b>	For Connecting Rod with .020" undersize Crankpin Bore—Order No. 390459.		<b>Note:</b>	211284 Gear—Cam	70	298436	Ratchet—Rewind Starter
30	221890	Dipper—Connecting Rod	52	*27355	Gasket—Carburetor Mounting (2)	70A	298799	Ratchet—Rewind Starter Clutch
31	222282	Washer—Plain (One for Each Screw)	55	299431	Housing—Rewind Starter	71	221653	Washer—Clutch Retainer
31A	221876	Lock—Connecting Rod Screw		<b>Note:</b>	397123 Housing—Rewind Starter	73	221923	Screen—Starter Pulley
32	92296	Screw—Connecting Rod			Used on Type No. 0249.		<b>Note:</b>	221661 Screen—Rewind Starter
33	260860	Valve—Exhaust	56	295871	Pulley—Rewind Starter (Includes 63" long rope)			Used on Type No. 0216.
	<b>Note:</b>	211119 Valve—Exhaust			Used on Type Nos. 0139, 0140, 0141, 0144, 0156, 0180, 0193, 0194, 0218, 0222, 0225, 0233, 0237, 0238, 0253.	74	93490	Screw—Sem
		Used on Type Nos. 0139, 0140, 0141, 0144, 0156, 0180, 0193, 0194, 0218, 0222, 0225, 0233, 0237, 0238, 0253.			If longer rope is required, order rope No. 66894 and cut to length.		<b>Note:</b>	94062 Screw—Hex Head
34	261044	Valve—Intake	57	294303	Spring—Rewind Starter	75	220865	Washer—Spring
						76	68238	Washer—Ratchet Sealing

\*Included in Gasket Set—Part No. 397145.

# 131200 to 131299

REF. NO.	PART NO.	DESCRIPTION	REF. NO.	PART NO.	DESCRIPTION	REF. NO.	PART NO.	DESCRIPTION
79	290779	Case Assembly—Gear	154	93527	Screw—Machine, Rd. Hd.—5-40 x 5/8"			0157, 0158, 0171, 0180, 0190, 0193, 0194, 0196, 0200, 0215, 0217, 0218, 0225, 0228, 0232, 0233, 0238, 0253.
80	27667	Gasket—Gear Case	163	271139	Gasket—Air Cleaner Mounting			
81	222263	Lock—Screw (3/8" Dia. Bolt Holes)	163A	270488	Gasket—Air Cleaner Mounting			
	<b>Note:</b>	222929 Lock—Screw (1/4" Dia. Bolt Holes)	163B	27660	Gasket—Air Cleaner Mounting	205	93838	Screw—Shoulder
81A	220234	Lock—Screw	165	93856	Wing Nut	206	231266	Nut—Control Rod (#6-32 Thread) (Used after Code Date 8402900)
82	91541	Screw—Cap, Hex. Hd.—5/16-24 x 7/8"	166	231332	Stud—Air Cleaner Used after Code Date 84011000.			230149 Nut—Control Rod (#5-44 Thd.) (Used before Code Date 84043000)
82A	92279	Screw—Cap, Hex. Hd.—5/16-24 x 1-1/2"		<b>Note:</b>	231315 Stud—Air Cleaner Used before Code Date 84011100.			<b>Note:</b> 21772 Nut—Control Rod Used on Type Nos. 0235, 0236.
83	211293	Shaft and Gear—Drive	166A	231176	Stud—Air Cleaner	206A	280012	Nut—Control Rod
84	92617	Plug—Breather	180	397137	Tank Assembly—Fuel	207	26855	Spring—Control Rod
85	92747	Screw—Gear Case Mounting Sem		<b>Note:</b>	297600 Tank Assy.—Fuel Used on Sno-Gard Engines.	208	261985	Rod—Control (#6-32 Thd.) (Used after Code Date 84042900)
86	291730	Cover Assy.—Gear Case			397648 Tank Assy.—Fuel Used on Type No. 0231.			230737 Rod—Control (#5-44 Thd.) (Used before Code Date 84043000)
87	19011	Seal—Oil	181	394818	Cap—Fuel Tank			<b>Note:</b> 230946 Rod—Control (#5-44 Thd.) Used on Type Nos. 0136, 0197, 0210, 0260.
88	27313	Gasket—Gear Case Cover	181A	397567	Cap—Fuel Tank			
89	93448	Plug—Oil Drain	189	90366	Washer—Lock, 5/16 x 1/8 x 1/16			
90	397135	Carburetor Assembly	190	93440	Screw—Fuel Tank Mounting Sem			
	<b>Note:</b>	397940 Carburetor Assembly Used on Type Nos. 0136, 0197, 0210, 0242, 0243, 0260.		<b>Note:</b>	94094 Screw—Sem (1) Used on Type No. 0255.			
90A	299437	Carburetor Assembly	191	*271592	Gasket—Fuel Tank Mounting			230946 Rod—Control (8-9/16" Long) (Used after Code Date 84042900)
	<b>Note:</b>	299576 Carb. Assy. Used on Type Nos. 0136, 0197, 0210, 0242, 0243.	200	221480	Guide—Air			230737 Rod—Control (9-1/8" Long) Used before Code Date 84043000 on Type Nos. 0242, 0243.
95	93499	Screw—Throttle Valve to Shaft Sem	201	261558	Link—Governor (Used after Code No. 80052900)			
96	211203	Throttle—Carburetor		<b>Note:</b>	260661 Link-Governor (Used before Code No. 80052900)			
97	299212	Shaft and Lever—Throttle	202	260678	Link—Throttle			
108	397134	Valve Group—Choke	203	393919	Assembly—Bell Crank and Bushing			
110	221226	Washer—Choke Lever	204	222962	Bushing—Governor Lever (Flat)			261297 Rod—Control Used on Type No. 0163.
111	94060	Washer—Wave		<b>Note:</b>	230943 Bushing—Governor Lever Used on Type Nos. 0130, 0132, 0139, 0140, 0148, 0151,			
112	93686	Screw—Choke Lever				209	260695	Spring—Governor
114	66594	Gasket—Needle Valve Nut						
116	65978	Packing—Needle Valve						
117	230590	Nut—Needle Valve						
118	23433	Valve—Needle						
124	93357	Screw—Hex. Head						
127	22831	Plug—Welch						
147	230591	Seat—Needle Valve						
148	22235	Washer—Needle Valve (2)						
149	26336	Spring—Needle Valve						
152	260575	Spring—Throttle Adjustment						

\*Included in Gasket Set—  
Part No. 397145.

# 131200 to 131299

REF. NO.	PART NO.	DESCRIPTION	REF. NO.	PART NO.	DESCRIPTION	REF. NO.	PART NO.	DESCRIPTION
216	397709	Link—Choke (Includes Bell Crank) Used after Code Date 84011000. <b>Note:</b> 299859 Link—Choke (Includes Bell Crank) Used before Code Date 84011100.	268	66986	Casing—Control Wire— 48" long <b>Note:</b> If longer casing is needed, specify length in inches; if a shorter casing is needed, order No. 66986 and cut to required length.	299	393368	Muffler—Exhaust (Round Lo-Tone) <b>Note:</b> 393010 Muffler— Exhaust (Round Lo-Tone) <b>Uses:</b> 91464 Elbow— Exhaust 90° Street Used on Type No. 0145.
217	261951	Spring—Choke Link Used after Code Date 8401100. <b>Note:</b> 260189 Spring—Choke Link Used before Code Date 84011100.	269	26099	Wire—Control, 54" long <b>Note:</b> If longer wire is needed, specify length in inches; if shorter wire is needed, order No. 26099 and cut to required length.	300	393615	Muffler—Exhaust (Lo-Tone)
218	221198	Washer—Choke Link	270	63426	Locknut—Control Wire Casing	300A	391313	Muffler—Exhaust <b>Note:</b> 297274 Muffler— Exhaust (Does Not Include Screw Lock or Heat Shield) Used on Type No. 0225. 391232 Guard—Muffler <b>Uses:</b> 93415 Screw (Guard and Retainer Mounting) 93606 Screw (Guard to Muffler Mounting) 222379 Retainer— Muffler 222361 Brace—Muffler Used on Type Nos. 0159, 0174, 0229.
219	391737	Gear—Governor	271	290568	Lever Assy.—Control	300B	396001	Muffler—Exhaust
220	221551	Washer—Thrust	280	223236	Strap—Control Rod <b>Note:</b> 230944 Guide—Control Rod Used in 223236 Strap on Type Nos. 0173, 0195, 0234, 0255, 2035, 2036, 2024, 2049. 390341 Strap—Control Rod Used on Type Nos. 0130, 0132, 0139, 0140, 0148, 0151, 0157, 0158, 0171, 0180, 0190, 0193, 0180, 0190, 0193, 0194, 0196, 0200, 0215, 0217, 0218, 0225, 0228, 0232, 0233, 0238, 0253.	304	299410	Housing—Blower <b>Note:</b> 394912 Housing— Blower Used on Type Nos. 0225, 0246. 397719 Housing— Blower Used on Type No. 0249.
223	221517	Lever—Governor Control	280A	221384	Strap—Control Rod <b>Note:</b> 230944 Guide—Control Rod Used in 221384 Strap on Type Nos. 0173, 0195, 0234, 2035, 2036, 2024, 2049.	305	93158	Screw—Blower Housing Mounting
224	93491	Rivet—Governor Control Lever Mounting <b>Note:</b> 93440 Screw—Sem Used with 230943 Bushing (1/2" dia. Flange) and 93569 Spring Washer Used on Type Nos. 0130, 0132, 0139, 0140, 0148, 0151, 0157, 0158, 0171, 0180, 0190, 0193, 0194, 0196, 0200, 0215, 0217, 0218, 0225, 0228, 0232, 0233, 0238, 0253.	298	261409	Locknut—Muffler	306	221511	Shield—Cylinder
227	393920	Lever Assy.—Governor				307	93042	Screw—Cylinder Shield Mounting Sem
230	222450	Washer—Governor Lever				308	221512	Cover—Cylinder Head
231	93064	Screw—Sem				309		Motor—Starter See Chart on Page 6 for Replacement Parts for Starting Motors
232	260478	Spring—Governor Link				319	395490	Armature Assembly (Less Trigger Coil)
256	397709	Crank—Bell (Includes Choke Link) Used after Code Date 84011000. <b>Note:</b> 299859 Crank—Bell (Includes Choke Link) Used before Code Date 84011100.						
257	93543	Screw—Fil. Hd. Sem						
265	221535	Clamp—Casing						
267	93496	Screw—Sem						

# 131200 to 131299

REF. NO.	PART NO.	DESCRIPTION	REF. NO.	PART NO.	DESCRIPTION	REF. NO.	PART NO.	DESCRIPTION
325	280457	Pulley—Rope Starter <b>Uses:</b> 94062 Screw—Pulley Mounting			<b>390785</b> Switch—Stop Used on Type Nos. 0135, 0166, 0170, 0173, 0176, 0181, 0188, 0203, 0221, 0224, 0229, 0231, 0234, 0241, 0250, 0255, 0257, 2024, 2035, 2036, 2038, 2049.			<b>61760</b> Key—Flywheel (For Conversion to MAGNETRON® Ignition Order Part No. 394970.)
325A	299421	Starter Pulley with Screen				383	89838	Wrench—Spark Plug
330	69932	Rope—Starter				392	260455	Spring—Fuel Pump Diaphragm
331	220865	Washer—Flywheel				394	270026	Diaphragm
332	92284	Nut—Flywheel				409	299837	Lever-Trol—Speed Control
333	397358	Armature—Magneto				414	231325	Spacer
333A	395491	Armature Group (MAGNETRON® Ignition)	353	92791	Washer—Lock— Shakeproof (3)	414A	220982	Washer
333B	298316	Armature—Magneto (For Points and Condenser)	354	90576	Nut—Hex.—8-32 (2)	423	93410	Screw—Hex Hd.
334	93613	Screw—Armature Mounting Sem (2)	356	398808	Wire—Ground Used with Armature Ref. 333. <b>Note:</b> 397535 Wire—Ground Used on Type No. 0249.	432	221377	Cap—Spring
335	93414	Screw—Armature Mounting Sem				433	93265	Pin—Diaphragm Cover
337	298809	Plug—Spark 1-1/2" High— 37-42 M.M. <b>Note:</b> 29693 Plug—Spark 2" High—51 M.M. 293918 Plug—Spark 1-1/2"—37 M.M. (Resistor Type) 392588 Plug—Spark 2"—51 M.M. (Resistor Type)	356A	299500	Wire—Ground <b>Note:</b> All Ground Wires Listed are Used with Armatures Refs. 333A and 333B Only. 391115 Wire—Ground Used on Type No. 0147, 0149, 0159, 0175, 0198, 0205, 0227, 0231, 0244, 0246. 392074 Wire—Ground Used on Type Nos. 0166, 0195, 0255, 2024.	434	210959	Cover—Diaphragm
340	26018	Spring—Breaker Arm				435	93141	Screw—Diaphragm Cover
341	93381	Screw—Breaker Arm Mounting Sem				445	396424	Cartridge—Air Cleaner
342	65704	Plunger—Breaker Point				445A	392308	Cartridge—Air Cleaner
344	93042	Screw—Condenser Clamp Mounting Sem	357	91539	Key	446	395642	Base—Air Cleaner
345	220366	Cover—Breaker Point and Condenser	358	397145	Gasket Set	446A	222844	Base—Air Cleaner
346	93705	Screw—Sem <b>Note:</b> 93469 Screw— Hex Head Used to Mount Muffler Guard and Deflector on Type No. 0235.	362	291630	Shield—Spark Plug (with Stop Switch) <b>Note:</b> 89742 Shield—Spark Plug Used on Type Nos. 0131, 0150.	467	212706	Knob—Air Cleaner
347	220884	Switch—Stop (For 1-1/2" High— 37 & 42 M.M. Spark Plugs) <b>Note:</b> 298927 Switch—Stop Used on Type No. 0140.	363	19069	Flywheel Puller (Optional Accessory)	467A	212293	Knob—Air Cleaner
			372	220477	Clamp—Condenser	473	93475	Screw—Sem
			373	92987	Nut—Hex.	474	394173	Alternator Assy.
			375	294628	Breaker Points and Condenser Set <b>Note:</b> 299061 Ignition Kit <b>Includes:</b> 294628 Set 65704 Plunger	481	230970	Bushing—Stator
						482	93639	Screw—Alternator Armature Mounting
						506	90200	Screw—Machine, Fill. Hd.—8-32 x 1/2"
						507	66895	Insulator—Terminal
						516	260374	Spring—Connector
						521	298529	Shielding—Ignition Cable
						523	297357	Cap—Oil Filler
						524	65304	Gasket—Oil Filler Cap
						525	91258	Nipple—Oil Filler <b>Uses:</b> 394884 Adapter—Oil Filler Pipe
						526	93343	Screw—Tank Bracket Mounting Sem
						527	221514	Clamp—Breather Tube
						528	231328	Tube—Breather Used after Code Date 84011000. <b>Note:</b> 230722 Tube— Breather Used before Code Date 84011100.

\*Included in Gasket Set—  
Part No. 397145.

# 131200 to 131299

REF. NO.	PART NO.	DESCRIPTION	REF. NO.	PART NO.	DESCRIPTION	REF. NO.	PART NO.	DESCRIPTION
		<b>231386</b> Tube—Breather Used with Heat Shield Ref. 725.	<b>613A</b>	<b>94042</b>	Screw—Muffler Mtg. (Used after Code Date 82091400)	<b>681</b>	<b>299060</b>	Needle Valve Kit
<b>529</b>	<b>67838</b>	Grommet—Breather Tube		<b>Note:</b>	<b>93704</b> Screw—Muffler Mounting	<b>682</b>	<b>211516</b>	Shield—Starter Clutch
<b>533</b>	<b>230149</b>	Knob—Control Rod <b>Uses:</b> <b>93384</b> Nut—Hex.			(Used before Code Date 82091300)	<b>725</b>	<b>223334</b>	Shield—Heat
<b>534</b>	<b>94071</b>	Screw—Air Cleaner Used after Code Date 84011000.			<b>93377</b> Screw— Muffler Mounting Used on Type No. 0223.	<b>725A</b>	<b>223303</b>	Shield—Heat
	<b>Note:</b>	<b>93322</b> Screw—Air Cleaner Used before Code Date 84011100.	<b>613B</b>	<b>94054</b>	Screw—Hex. Hd.	<b>726</b>	<b>397644</b>	Gear—Ring (Includes Mtg. Screws)
<b>535</b>	<b>271466</b>	Element—Air Cleaner	<b>614</b>	<b>93306</b>	Cotter—Hair Pin	<b>729</b>	<b>93708</b>	Clip—Wire
<b>535A</b>	<b>27987</b>	Element—Air Cleaner	<b>615</b>	<b>93307</b>	Retainer—E-Ring	<b>741</b>	<b>261696</b>	Gear—Timing (Plain Bearing)
<b>536</b>	<b>397703</b>	Cleaner Assembly— Air Used after Code Date 84011000.	<b>616</b>	<b>231077</b>	Crank—Governor		<b>Note:</b>	<b>261880</b> Gear— Timing (Ball Bearing)
	<b>Note:</b>	<b>297036</b> Cleaner Assembly—Air Used before Code Date 84011100.	<b>621</b>	<b>297472</b>	Switch—Stop	<b>779</b>	<b>390383</b>	Link—Bell Crank (Includes Bell Crank)
<b>538</b>	<b>299545</b>	Rod—Control	<b>624</b>	<b>222476</b>	Crank—Bell <b>Note:</b>	<b>780</b>	<b>223169</b>	Anchor—Spring
<b>541</b>	<b>22398</b>	Washer			<b>222100</b> Crank—Bell Used on Type No. 0231.		<b>Note:</b>	<b>222267</b> Anchor—Spring <b>Uses:</b> <b>93496</b> Screw for Mounting Used on Type No. 0244.
<b>542</b>	<b>93141</b>	Screw	<b>629</b>	<b>261094</b>	Spring—Throttle Return <b>Note:</b>	<b>836</b>	<b>93559</b>	Screw—Hex. Head
<b>549</b>	<b>271118</b>	Washer			<b>261137</b> Spring— Throttle Return Used on Type No. 0244.	<b>851</b>	<b>221798</b>	Cable Terminal— Ignition
<b>552</b>	<b>231079</b>	Bushing—Governor Crank	<b>634</b>	<b>270167</b>	Washer—Throttle Shaft (Felt)	<b>852</b>	<b>396397</b>	Cleaner Group—Air
<b>562</b>	<b>92613</b>	Bolt—Governor Lever	<b>634A</b>	<b>270382</b>	Washer—Choke Shaft	<b>852A</b>	<b>392368</b>	Cleaner Group—Air
<b>575</b>	<b>396691</b>	Stop Switch— Rotary	<b>635</b>	<b>66538</b>	Elbow—Spark Plug	<b>854</b>	<b>392884</b>	Bracket Assembly— Stop Switch
<b>592</b>	<b>231082</b>	Nut—Hex.—10-24	<b>642</b>	<b>223306</b>	Cover—Air Cleaner	<b>869</b>	<b>211787</b>	Seat—Intake Valve (Standard)
<b>608</b>	<b>390463</b>	Starter Assy.—Rewind <b>Note:</b>	<b>642A</b>	<b>222626</b>	Cover—Air Cleaner	<b>870</b>	<b>211436</b>	Seat—Exhaust Valve (Standard)
		<b>397124</b> Starter Assembly—Rewind Used on Type No. 0249.	<b>643</b>	<b>222845</b>	Cup—Air Cleaner	<b>871</b>	<b>262001</b>	Guide—Exhaust Valve
<b>608A</b>	<b>297372</b>	Starter Assy.— Rewind (10 o'clock)	<b>643A</b>	<b>221321</b>	Cup—Air Cleaner		<b>Note:</b>	<b>63709</b> Guide—Intake Valve <b>See Repair Instruction Manual.</b>
<b>609</b>	<b>260694</b>	Spring—Throttle Link	<b>645</b>	<b>23513</b>	Bushing—Plunger	<b>877</b>	<b>393854</b>	Diode and Connector Assembly
<b>611</b>	<b>391813</b>	Fuel Pipe and Clip Assembly	<b>655</b>	<b>222598</b>	Anchor—Spring	<b>878</b>	<b>393422</b>	Alternator Harness Assembly
<b>612</b>	<b>296811</b>	Pipe—Fuel	<b>665</b>	<b>298858</b>	Oil Minder	<b>883</b>	<b>270918</b>	Gasket—Muffler
<b>613</b>	<b>93935</b>	Screw—Hex Hd. Shoulder <b>Note:</b>	<b>670</b>	<b>261065</b>	Spacer—Armature	<b>897</b>	<b>394970</b>	Trigger Coil Assy.—MAGNETRON® Ignition
		<b>93549</b> Screw—1/4-20 Hex. Hd.	<b>676</b>	<b>222292</b>	Deflector—Exhaust (Side Outlet) <b>Note:</b>	<b>905</b>	<b>394510</b>	Shield—Sno Gard
					<b>For Spark Arrestor Assy. Use No. 392193 on Type Nos. 0179, 0229, 0232. 393750</b> Deflector Exhaust Used on Type No. 0223.	<b>951</b>	<b>223286</b>	Lever—Choke
			<b>676A</b>	<b>395700</b>	Deflector—Exhaust (Direct Outlet)			
			<b>676B</b>	<b>393758</b>	Deflector—Exhaust (Louvered Outlet)			

