

131200 to 131299

Illustrated Parts List

Industrial/Commercial

Model Series

131200 to 131299

TYPE NUMBERS
0410 through 0416
0418, 0419, 2124
and 2136

TO FIND

THE CORRECT NUMBER OF THE PART YOU NEED:

FOLLOW THE INSTRUCTIONS BELOW

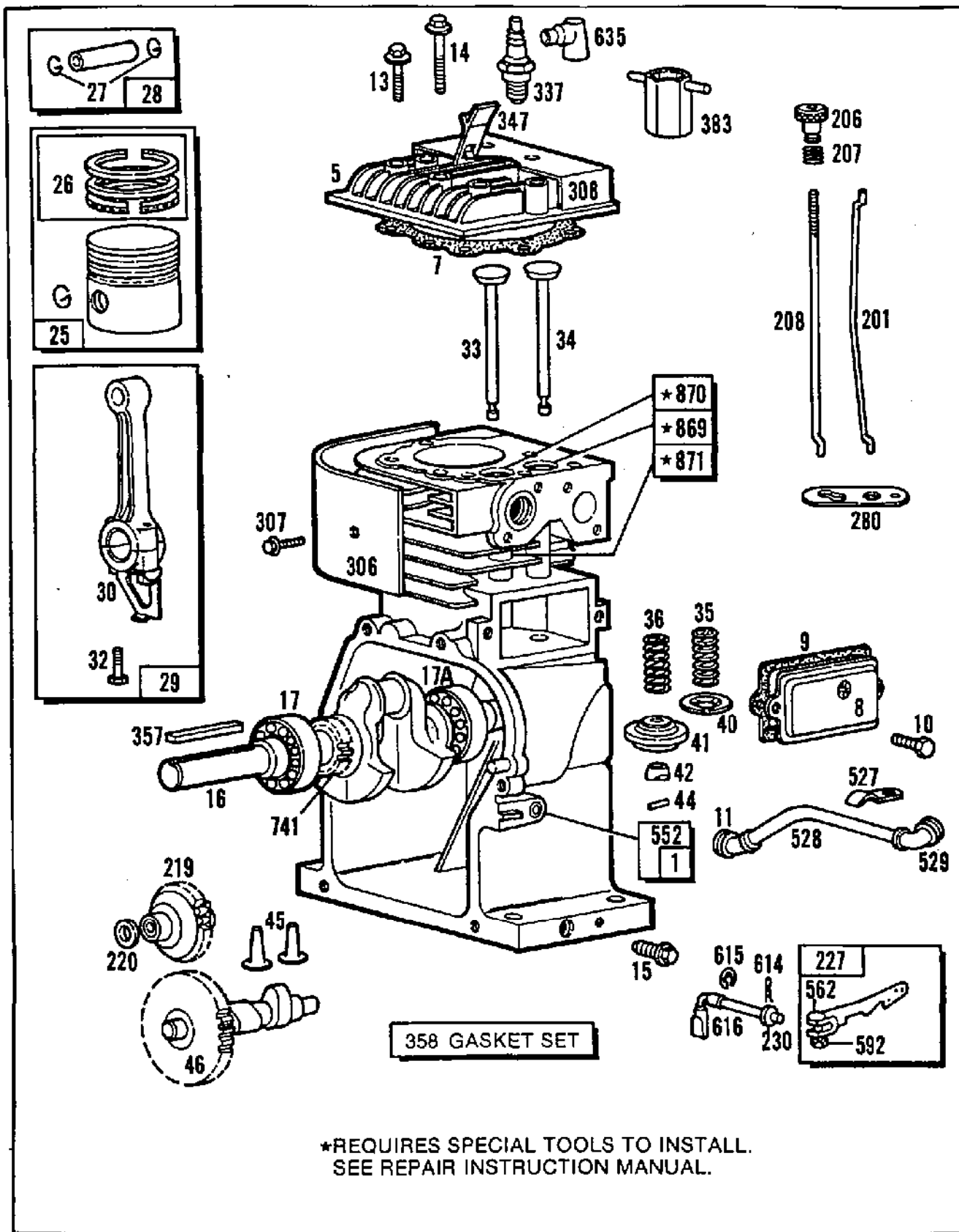
- A. Refer to Engine Model, Type and Code Number that is stamped on the blower housing of engine. Engine type numbers such as 012301 are listed herein only as 0123. The two digits (01 or 02, etc.) to the right of the space are not needed for parts identification. Then use the Illustrated Parts List covering the Model Series.
- B. Refer to Illustrated Parts section and compare the old part with illustration. The number on the illustration is the Reference Number. Assemblies include all parts shown in frames. All parts shown in assembly frames on which individual reference numbers are given can be purchased separately.
- C. After the Reference Number has been identified, refer to the Numerical Parts List, where Reference and Master Part Number are listed. **THE MASTER PART IS USED ON ALL TYPE NUMBERS EXCEPT THOSE TYPE NUMBERS UNDER "NOTE".**
- D. If a "Note" appears below the Master Part Number, this means that this part differs from the Master Part for certain types. If the Type number is listed under "Note", order the part referred to.
- E. If the Engine Type Number does not appear after any part number listed under "Note", use the Master Part Number.
- F. For Type Numbers higher than those covered by this book, please refer to the factory if you are unable to identify the part by comparison.

PRINTED IN U.S.A.

COPYRIGHT ©

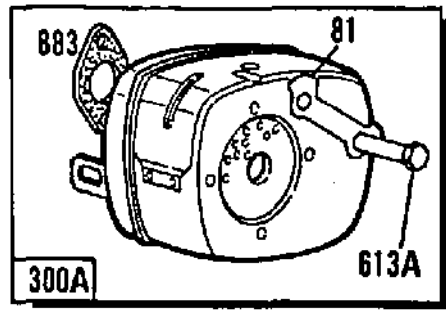
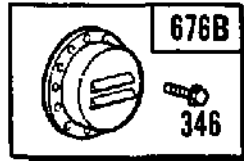
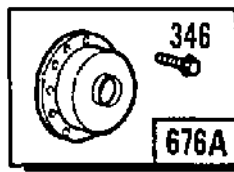
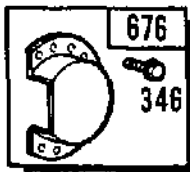
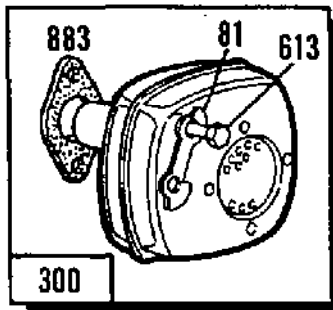


131200 to 131299

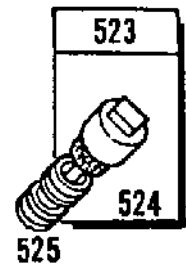
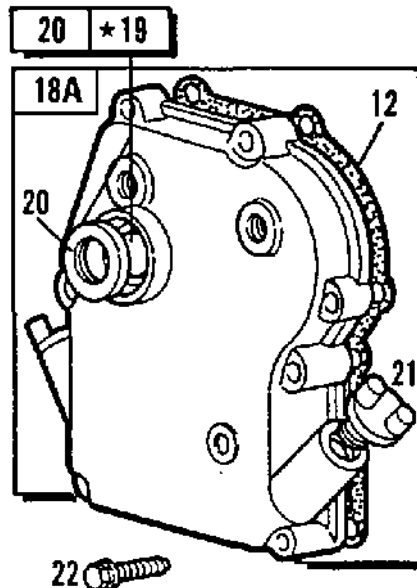
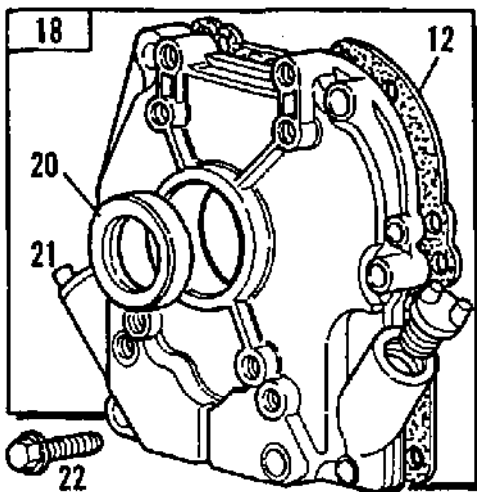
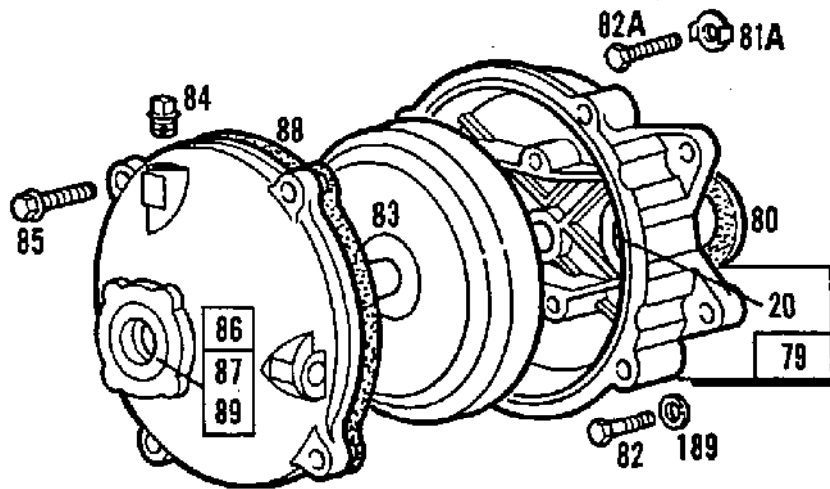


*REQUIRES SPECIAL TOOLS TO INSTALL.
SEE REPAIR INSTRUCTION MANUAL.

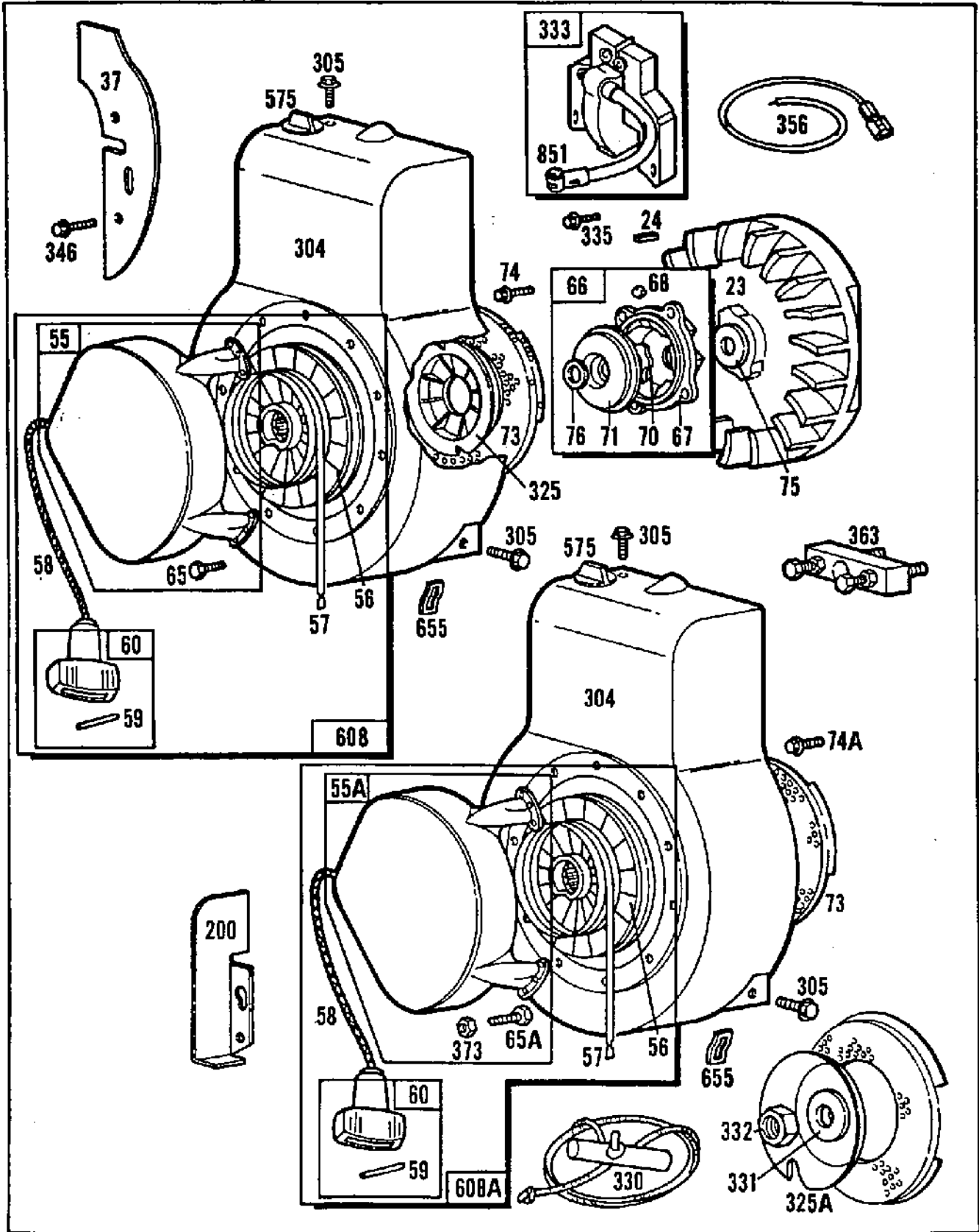
131200 to 131299



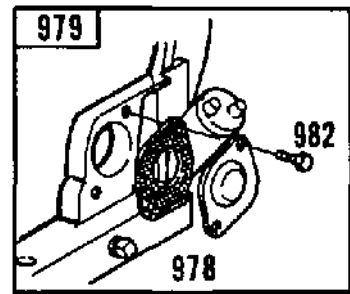
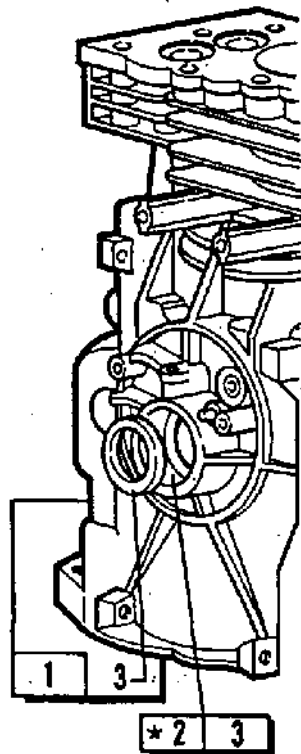
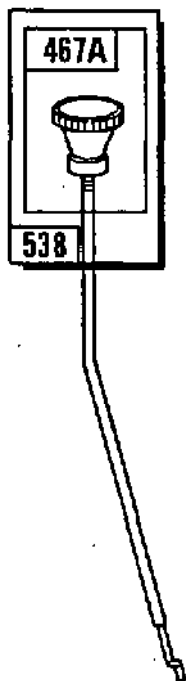
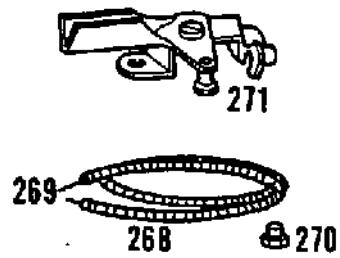
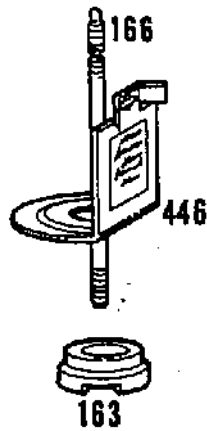
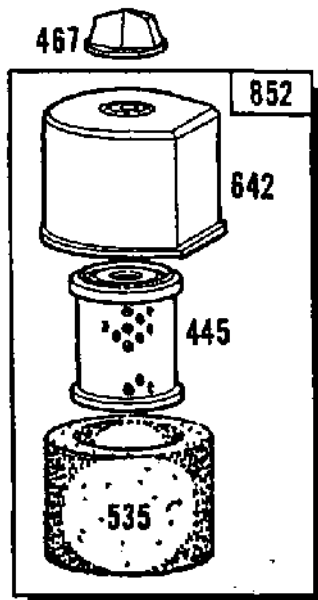
*REQUIRES SPECIAL TOOLS TO INSTALL.
SEE REPAIR INSTRUCTION MANUAL.



131200 to 131299



131200 to 131299



*REQUIRES SPECIAL TOOLS TO INSTALL.
SEE REPAIR INSTRUCTION MANUAL.

131200 to 131299

REF. NO.	PART NO.	DESCRIPTION	REF. NO.	PART NO.	DESCRIPTION	REF. NO.	PART NO.	DESCRIPTION
1	397673	Cylinder Assembly	17A	99157	Bearing—Ball (Magneto Side)			<p>The Following Piston Ring Sets Are Used Before Code Date 85042200.</p> <p>Note: For Chrome Piston Ring Set—Standard Size—Order Part No. 299742.</p> <p>393835 Ring Set—Standard Piston</p> <p>393836 Ring Set—.010" O.S. Piston</p> <p>393837 Ring Set—.020" O.S. Piston</p> <p>393838 Ring Set—.030" O.S. Piston</p> <p>27 26026 Lock—Piston Pin</p> <p>28 298909 Pin Assembly—Piston—Standard</p> <p>298908 Pin Assembly—Piston—.005" O.S.</p> <p>29 299430 Rod Assy.—Connecting</p> <p>Note: For Connecting Rod with .020" undersize Crankpin Bore—Order No. 390459.</p> <p>30 221890 Dipper—Connecting Rod</p> <p>32 92296 Screw—Connecting Rod</p> <p>33 260860 Valve—Exhaust</p> <p>34 261044 Valve—Intake</p> <p>35 260552 Spring—Intake Valve</p> <p>36 26826 Spring—Exhaust Valve</p> <p>37 222443 Guard—Flywheel</p> <p>40 93312 Retainer—Intake Valve Spring</p> <p>41 292259 Rotocap—Exhaust Valve</p> <p>42 230127 Retainer—Exhaust Valve Rotocap</p> <p>44 230126 Pin—Exhaust Valve Rotocap Retainer</p> <p>45 260642 Tappet—Valve</p> <p>46 212733 Gear—Cam</p> <p>Note: 211284 Gear—Cam Used on Type No. 0403.</p> <p>52 *27355 Gasket—Carburetor Mounting (2)</p> <p>55 397123 Housing—Rewind Starter</p> <p>55A 299431 Housing—Rewind Starter</p>
2	297565	Bushing—Cylinder	18	298204	Cover Assembly—Crankcase (Ball Bearing)			
	Note:	Requires special tools for installation.	18A	298517	Cover Assembly—Crankcase (Plain Bearing)			
3	299819	Seal—Oil		Note:	298183 Cover Assy.—Crankcase			
5	211542	Head—Cylinder			Used on Type No. 0403.			
7	*270383	Gasket—Cylinder Head	19	297903	Bushing—Crankcase Cover.			
8	294178	Breather—Valve Chamber		Note:	Requires special tools for installation.			
9	*27549	Gasket—Valve Cover	20	294806	Seal—Oil			
10	93394	Screw—Breather Mtg. Sem		Note:	393812 Seal—Oil Used on Model 131231, 131232, 131233, 131235, 131236, 131237 Series Engines.			
11	66578	Grommet—Breather Tube			391484 Seal—Oil Used on the Auxiliary P.T.O. Shaft on Type No. 0403.			
12	270080	Gasket—Crankcase—.015" thick (Standard)	21	66766	Plug—Oil Filler			
	*270125	Gasket—Crankcase—.005" thick	22	93032	Screw—Crankcase Cover Mounting Sem			
	*270126	Gasket—Crankcase—.009" thick	23	297229	Flywheel—Magneto			
13	93368	Screw—Cylinder Head (2-3/32" long)	24	222698	Key—Flywheel (For MAGNETRON® Ignition)			
	Note:	93583 Stud—Cylinder Head		Note:	61760 Key—Flywheel (For Breaker Ignition System)			
		22963 Washer Used on Type No. 0411.	25	393819	Piston Assy.—Standard			
14	93369	Screw—Cylinder Head (2-15/32" long)		393820	Piston Assy.—.010" O.S.			
	Note:	93593 Stud—Cylinder Head		393821	Piston Assy.—.020" O.S.			
		22963 Washer Used on Type No. 0411.		393822	Piston Assy.—.030" O.S.			
	Note:	94174 Plug—Magnetic Pipe (For OIL GARD™)		<p>The Following Piston Ring Sets Are Used After Code Date 85042100.</p>				
15	91248	Plug—Pipe, 1/4" Std., Square Head	26	399067	Ring Set—Std. Piston			
16	397092	Crankshaft		399014	Ring Set—.010" O.S. Piston			
	Note:	To Replace Crankshaft Gear Pin, Order Part No. 230978.		399015	Ring Set—.020" O.S. Piston			
		397084 Crankshaft Used on Type No. 0403.		399016	Ring Set—.030" O.S. Piston			
		397086 Crankshaft Used on Type Nos. 0411, 0412.						
		397090 Crankshaft Used on Type No. 0410.						
		397094 Crankshaft Used on Type Nos. 0402, 2124.						
17	99158	Bearing—Ball (P.T.O. Side)						

*Included in Gasket Set—Part No. 397145.

131200 to 131299

REF. NO.	PART NO.	DESCRIPTION	REF. NO.	PART NO.	DESCRIPTION	REF. NO.	PART NO.	DESCRIPTION
56	295871	Pulley—Rewind Starter (Includes 63" long rope) If longer rope is required, order rope No. 66894 and cut to length.	95	93499	Screw—Throttle Valve to Shaft Sem	220	221551	Washer—Thrust
57	294303	Spring—Rewind Starter	96	211203	Throttle—Carburtor.	223	221517	Lever—Governor Control
58	66884	Rope—Rewind Starter—63" long If longer rope is required, order rope No. 66894 and cut to length.	97	299212	Shaft and Lever—Throttle	224	93491	Rivet—Governor Control Lever Mounting
59	230228	Pin—Starter Grip	108	397134	Valve Group—Choke		Note:	93440 Screw—Sem Used with 230943
60	66728	Grip—Starter Rope	110	221226	Washer—Choke Lever			Bushing (1/2" dia. Flange) and
65	94063	Screw—Housing Mtg. Sem	111	94060	Washer—Wave			93569 Spring Washer Used on Type Nos. 0411, 0412.
65A	94128	Screw—Housing Mtg.	112	93686	Screw—Choke Lever	227	393920	Lever Assembly—Governor
66	394558	Clutch Assembly—Rewind Starter	114	66594	Gasket—Needle Valve Nut	230	222450	Washer—Governor Lever
67	394897	Housing—Rewind Starter Clutch	116	65978	Packing—Needle Valve	265	221535	Clamp—Casing
68	63770	Ball—Clutch	117	230590	Nut—Needle Valve	267	93498	Screw—Sem
70	298799	Ratchet—Rewind Starter Clutch	118	23433	Valve—Needle	268	66986	Casing—Control Wire—48" long
71	221653	Washer—Clutch Retainer	124	93357	Screw—Hex. Head		Note:	If longer casing is needed, specify length in inches; if a shorter casing is needed, order No. 66986 and cut to required length.
73	221923	Screen—Starter Pulley	127	22831	Plug—Welch	269	26099	Wire—Control, 54" long
74	94062	Screw—Hex Head Used to Mount Ref. 325 Pulley.	147	230591	Seat—Needle Valve		Note:	If longer wire is needed, specify length in inches; if shorter wire is needed, order No. 26099 and cut to required length.
74A	93490	Screw—Sem	148	22235	Washer—Needle Valve (2)	270	63426	Locknut—Control Wire Casing
75	220865	Washer—Spring	149	26336	Spring—Needle Valve	271	290568	Lever Assembly—Control
76	68238	Washer—Ratchet Sealing	152	260575	Spring—Throttle Adjustment	280	223236	Strap—Control Rod
79	280779	Case Assembly—Gear	154	93527	Screw—Machine, Rd. Hd.—5-40 x 5/8"		Note:	230844 Gulde—Control Rod Used in 223236 Strap on Type Nos. 0416, 2124, 2136. 390341 Strap—Control Rod Used on Type Nos. 0411, 0412.
80	27667	Gasket—Gear Case	163	271139	Gasket—Air Cleaner Mounting	300	393615	Muffler—Exhaust (Lo-Tone)
81	222263	Lock—Screw	166	231332	Stud—Air Cleaner	300A	391313	Muffler—Exhaust
81A	220234	Lock—Screw	180	397137	Tank Assembly—Fuel			
82	91541	Screw—Cap, Hex. Hd.—5/16-24 x 7/8"	181	394818	Cap—Fuel Tank			
82A	92279	Screw—Cap, Hex. Hd.—5/16-24 x 1-1/2"	181A	397567	Cap—Fuel Tank			
83	211293	Shaft and Gear—Drive	189	90366	Washer—Lock, 5/16 x 1/8 x 1/16			
84	92617	Plug—Breather	190	93440	Screw—Fuel Tank Mounting Sem			
85	92747	Screw—Gear Case Mounting Sem	191	*271592	Gasket—Fuel Tank Mounting			
86	291730	Cover Assembly—Gear Case	200	221480	Guide—Air			
87	19011	Seal—Oil	201	261558	Link—Governor			
88	27313	Gasket—Gear Case Cover	202	260678	Link—Throttle			
89	93448	Plug—Oil Drain	203	393919	Assembly—Bell Crank and Bushing			
90	397135	Carburetor Assembly	204	222962	Bushing—Governor Lever (Flat)			
				Note:	230943 Bushing—Governor Lever Used on Type Nos. 0411, 0412.			
			205	93838	Screw—Shoulder			
			206	231266	Nut—Control Rod			
			207	26855	Spring—Control Rod			
			208	261985	Rod—Control			
			209	260695	Spring—Governor			
			219	391737	Gear—Governor			

131200 to 131299

REF. NO.	PART NO.	DESCRIPTION	REF. NO.	PART NO.	DESCRIPTION	REF. NO.	PART NO.	DESCRIPTION
304	397719	Housing—Blower Note: 299410 Housing—Blower Used on Type No. 0414.	356	398874	Wire—Ground Note: 398808 Wire—Ground Used on Type No. 0414.	611	391813	Fuel Pipe and Clip Assembly
		398345 Housing—Blower Used on Type Nos. 0400, 0410, 0411, 2136.	357	91539	Key	612	298811	Pipe—Fuel
305	93158	Screw—Blower Housing Mounting	358	397145	Gasket Set	613	93935	Screw—Hex. Hd. Shoulder
306	221511	Shield—Cylinder	363	19089	Flywheel Puller (Optional Accessory)	613A	94042	Screw—Muffler Mtg.
307	93042	Screw—Cylinder Shield Mounting Sem	373	92987	Nut—Hex	614	93306	Cotter—Hair Pin
308	221512	Cover—Cylinder Head	383	89838	Wrench—Spark Plug	615	93307	Retainer—E-Ring
325	280457	Pulley—Rope Starter	392	260455	Spring—Fuel Pump Diaphragm	616	231077	Crank—Governor
325A	299421	Starter Pulley with Screen	394	270026	Diaphragm	621	297472	Switch—Stop
330	89932	Rope—Starter	414	231325	Spacer	634	271853	Washer—Throttle Shaft (Foam) Note: 270167 Washer—Throttle Shaft (Felt)
331	220865	Washer—Flywheel	432	221377	Cap—Spring	634A	270382	Washer—Choke Shaft
332	92284	Nut—Flywheel	433	93265	Pin—Diaphragm Cover	635	66538	Elbow—Spark Plug
333	397358	Armature—Magneto	434	210959	Cover—Diaphragm	642	223308	Cover—Air Cleaner
335	93414	Screw—Armature Mounting Sem	435	93141	Screw—Diaphragm Cover	655	222598	Anchor—Spring
337	298809	Plug—Spark 1-1/2" High—37-42 M.M. Note: 293918 Plug—Spark 1-1/2"—37 M.M. (Resistor Type)	445	396424	Cartridge—Air Cleaner	676	393757	Deflector—Exhaust (Side Outlet)
346	93705	Screw—Sem	448	395842	Base—Air Cleaner	676A	395700	Deflector—Exhaust (Direct Outlet)
347	220884	Switch—Stop (For 1-1/2" High—37 & 42 M.M. Spark Plugs)	467	212708	Knob—Air Cleaner	676B	393758	Deflector—Exhaust (Louvered Outlet)
351	93735	Screw—Terminal (Truss Hd.)	467A	391808	Knob—Choke Rod	681	299060	Needle Valve Kit
352	66088	Washer—Insulating	523	297357	Cap—Oil Filler	741	261696	Gear—Timing (Plain Bearing) Note: 282080 Gear—Timing (Ball Bearing)
353	92781	Washer—Lock—Shakeproof (3)	524	85304	Gasket—Oil Filler Cap	851	221798	Cable Terminal—Ignition
354	90576	Nut—Hex.—8-32 (2)	525	91258	Nipple—Oil Filler Uses: 394884 Adaptor—Oil Filler Pipe	852	396397	Cleaner Group—Air
355	66554	Collar—Insulating	526	83343	Screw—Tank Bracket Mounting Sem	869	211787	Seat—Intake Valve (Standard)
			527	221514	Clamp—Breather Tube	870	211436	Seat—Exhaust Valve (Standard)
			528	231328	Tube—Breather	871	262001	Guide—Exhaust Valve Note: 83709 Guide—Intake Valve (Brass) See Repair Instruction Manual.
			529	67838	Grommet—Breather Tube	883	270918	Gasket—Muffler
			535	271466	Element—Air Cleaner	951	223286	Lever—Choke
			538	390756	Rod—Control	978	271736	Gasket—Cover
			552	231079	Bushing—Governor Crank	979	398194	Cover—OilGard™
			562	92613	Bolt—Governor Lever	982	94139	Screw—Hex Head
			575	396691	Stop Switch—Rotary	987	398970	Seal—Throttle Shaft (Used after Code Date 85071400)
			592	231082	Nut—Hex.—10-24			
			608	397124	Starter Assembly—Rewind			
			608A	390463	Starter Assembly—Rewind			
			609	260694	Spring—Throttle Link			

