

131400 to 131499

Illustrated Parts List

Model Series

131400 to 131499

TYPE NUMBERS
0110 through 0111
0130 through 0163
2035 through 2038
2049 and 2080

TO FIND

THE CORRECT NUMBER OF THE PART YOU NEED:

FOLLOW THE INSTRUCTIONS BELOW

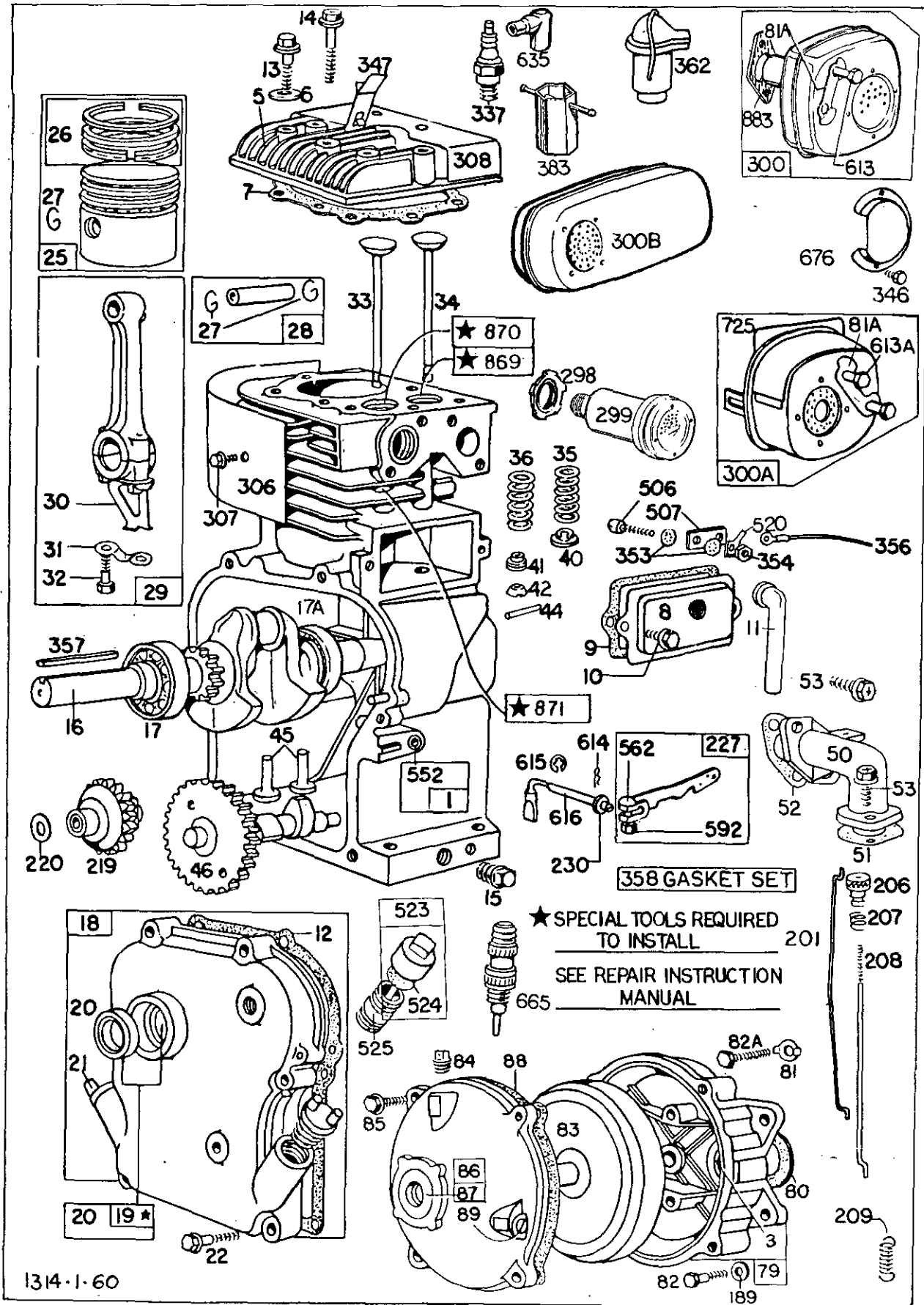
- A. Refer to Engine Model, Type and Code Number that is stamped on the blower housing of engine. Engine type numbers such as 012301 are listed herein only as 0123. The two digits (01 or 02, etc.) to the right of the space are not needed for parts identification. Then use the Illustrated Parts List covering the Model Series.
- B. Refer to Illustrated Parts section and compare the old part with illustration. The number on the illustration is the Reference Number. Assemblies include all parts shown in frames. All parts shown in assembly frames on which individual reference numbers are given can be purchased separately.
- C. After the Reference Number has been identified, refer to the Numerical Parts List, where Reference and Master Part Number are listed. **THE MASTER PART IS USED ON ALL TYPE NUMBERS EXCEPT THOSE TYPE NUMBERS UNDER "NOTE".**
- D. If a "Note" appears below the Master Part Number, this means that this part differs from the Master Part for certain types. If the Type number is listed under "Note", order the part referred to.
- E. If the Engine Type Number does not appear after any part number listed under "Note", use the Master Part Number.
- F. For Type Numbers higher than those covered by this book, please refer to the factory if you are unable to identify the part by comparison.

PRINTED IN U.S.A.

COPYRIGHT ©

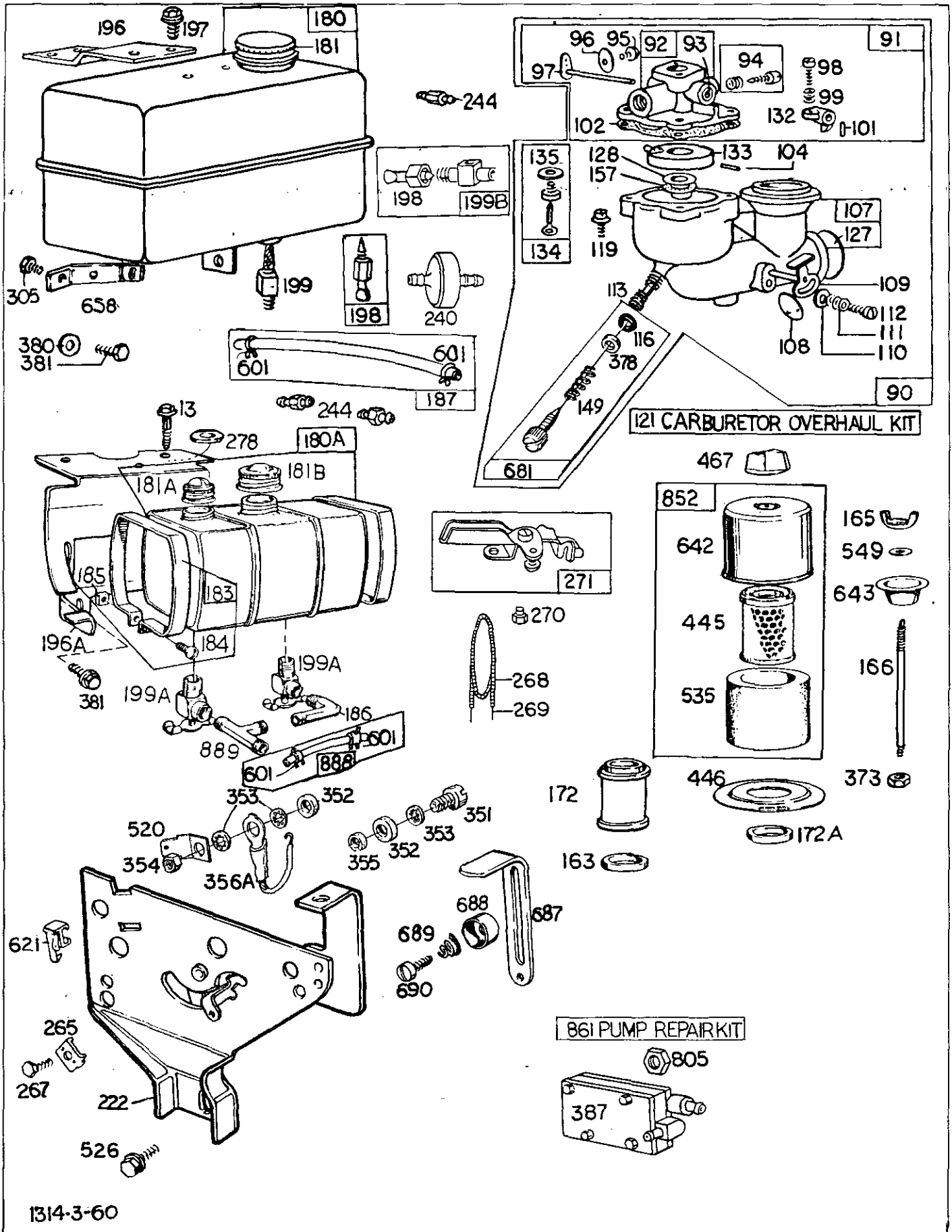


131400 to 131499



Assemblies include all parts shown in frames.

131400 to 131499



1314-3-60

Assemblies include all parts shown in frames.

131400 to 131499

REF. NO.	PART NO.	DESCRIPTION	REF. NO.	PART NO.	DESCRIPTION	REF. NO.	PART NO.	DESCRIPTION
1	393839	Cylinder Assembly	17A	99157	Bearing—Ball (Mag. Side)	29	299430	Rod Assy.—Connecting
2	297565	Bushing—Cylinder	18	298204	Cover Assembly— Crankcase		Note:	For Connecting Rod with .020" undersize Crankpin Bore— order No. 390459.
	Note:	Requires special tools for installation.			Used on Model Series 131431, 131432.	30	221890	Dipper—Connecting Rod
3	299819	Seal—Oil		298517	Cover Assy.— Crankcase	31	221876	Lock—Conn. Rod Screw
5	211542	Head—Cylinder			Used on Model Series 131451, 131452.	32	92296	Screw—Connecting Rod
	Note:	212367 Head—Cylinder (Kerosene—Gas) Used on Type Nos. 0132, 0135, 0137, 0141, 0142, 0146, 0148, 0160, 0162, 0163, 2080.	19	297603	Bushing—Crankcase Cover	33	260860	Valve—Exhaust
6	22963	Washer—Flat		Note:	Requires special tools for installation.		Note:	211119 Valve—Exhaust Used on Type Nos. 0130, 0131, 0132, 0133, 0134, 0136, 0137, 0142, 0149, 0152, 0153, 0154, 0155.
7	*270383	Gasket—Cylinder Head	20	293740	Seal—Oil	34	261044	Valve—Intake
8	294178	Breather—Valve Chamber		298504	Oil Seal and Spacer	35	260552	Spring—Intake Valve
9	* 27549	Gasket—Valve Cover			Used on Model Series 131451, 131452.	36	26826	Spring—Exhaust Valve
10	93394	Screw—Breather Mtg. Sem	21	66768	Plug—Oil Filler		Note:	26478 Spring—Exhaust Valve Used on Type Nos. 0130, 0131, 0132, 0133, 0134, 0136, 0137, 0142, 0149, 0152, 0153, 0154, 0155.
11	66638	Grommet—Breather Tube	22	93032	Screw—Crankcase Cover Mounting Sem	37	222443	Guard—Flywheel
12	*270080	Gasket—Crankcase— .015" thick (Standard)	23	297229	Flywheel—Magneto	40	93312	Retainer—Intake Valve Spring
	*270125	Gasket—Crankcase— .005" thick	24	61760	Key—Flywheel	41	292259	Rotocap—Exhaust Valve
	*270126	Gasket—Crankcase— .009" thick	PISTON RING SETS:			42	230127	Retainer—Exhaust Valve Rotocap
13	93368	Screw—Cylinder Head (2-3/32" long)		Note:	For Chrome Piston Ring Set—Standard Size—order Part No. 299742.		Note:	93312 Retainer— Exhaust Valve Spring Used on Type Nos. 0130, 0131, 0132, 0133, 0134, 0136, 0137.
14	93369	Screw—Cylinder Head (2-15/32" long)	25	393819	Piston Assembly— Standard	44	230126	Pin—Exhaust Valve Rotocap Retainer
15	91249	Plug—Pipe, 1/4" Std., Square Head		393820	Piston Assembly— .010" O.S.	45	260642	Tappet—Valve
16	393596	Crankshaft		393821	Piston Assembly— .020" O.S.	46	211117	Gear—Cam
	Note:	393847 Crankshaft Used on Type Nos. 0147, 0148, 0159, 2035, 2080.		393822	Piston Assembly— .030" O.S.	50	212358	Elbow—Intake
		393849 Crankshaft Used on Type Nos. 0135, 0139, 0143, 0145, 0146, 0156, 0158, 0161, 0162, 2038.	26	393835	Ring Set—Standard Piston	51	* 68987	Gasket—Carburetor Mtg. (Elbow to Carb.)
		394295 Crankshaft Used on Type Nos. 0163, 2049.		393836	Ring Set—.010" O.S. Piston	52	* 27355	Gasket—Carburetor Mounting
		394403 Crankshaft Used on Type No. 0149.		393837	Ring Set—.020" O.S. Piston	53	93357	Screw—Carburetor and Intake Elbow Mtg.
17	99158	Bearing—Ball (P.T.O. Side)		393838	Ring Set—.030" O.S. Piston			
			27	26026	Lock—Piston Pin			
			28	298909	Pin Assy.—Piston— Standard			
				298908	Pin Assy.—Piston— .005" O.S.			

*Included in Gasket Set—
Part No. 297615.

131400 to 131499

REF. NO.	PART NO.	DESCRIPTION	REF. NO.	PART NO.	DESCRIPTION	REF. NO.	PART NO.	DESCRIPTION
55	299431	Housing—Rewind Starter	88	27313	Gasket—Gear Case Cover	135	68877	Gasket—Fuel Inlet Valve Seat
56	295871	Pulley—Rewind Starter (Includes 63" long rope) If longer rope is required, order rope No. 66894 and cut to length.	89	93448	Plug—Oil Drain	149	261357	Spring—Needle Valve
57	294303	Spring—Rewind Starter	90	393753	Carburetor Assembly	157	† 27840	Gasket—Venturi
58	66884	Rope—Rewind Starter—63" long If longer rope is required, order rope No. 66894 and cut to length.		Note: 393895	Carb. Assy. (Manual Friction) (Kerosene—Gas) Used on Type Nos. 0132, 0135, 0137, 0141, 0142, 0146, 0148, 0160, 0162, 0163, 2080.	163	271042	Gasket—Air Cleaner (Below Spacer)
59	230228	Pin—Starter Grip	91	393978	Housing Assembly—Throttle	165	93856	Wing Nut
60	66728	Grip—Starter Rope	92	99634	Body—Upper Carb.	166	231177	Stud—Air Cleaner
65	93067	Screw—Stamped Steel Housing Mtg. Sem	93	23230	Bushing—Throttle Shaft	172	280213	Spacer—Air Cleaner
66	298310	Clutch Assy.—Rewind Starter	94	†292681	Valve Assembly—Carburetor Idle	172A	271077	Gasket—Air Cleaner (Above Spacer)
67	212131	Housing—Starter Clutch	95	93499	Screw—Throttle Valve to Shaft Sem	180	292945	Tank Assembly—Fuel (3 Quart) Note: 292415 Tank Assy.—Fuel (8 Quart) Used on Type No. 0145.
68	63770	Ball—Clutch	96	222972	Valve—Throttle	180A	392911	Tank Assembly—Fuel (3 Quart) (Kerosene—Gasoline)
70	298436	Ratchet—Rewind Starter	97	393827	Shaft and Lever—Throttle	181	392301	Cap—Fuel Tank Note: 393156 Cap—Fuel Tank (Chrome)
71	221653	Washer—Clutch Retainer	98	91920	Screw—Machine, Fill. Hd.—8-32 x 5/8"	181A	392886	Cap—Fuel Tank (Small) (Kerosene—Gasoline)
73	221923	Screen—Starter Pulley	99	† 26157	Spring—Throttle Adjustment	181B	392887	Cap—Fuel Tank (Large) (Kerosene—Gasoline)
74	93490	Screw—Sem	101	93043	Pin—Throttle Stop and Governor Shaft	183	393181	Strap Assembly
75	220865	Washer—Spring	102	† 27917	Gasket—Carburetor Body	184	91257	Screw—Fill. Hd.
76	68238	Washer—Ratchet Sealing	104	† 23114	Pin—Float Hinge	185	90970	Nut—Square
79	290779	Case Assembly—Gear	107	393979	Body Assembly—Carburetor Lower	186	67218	Elbow, 90°
80	27667	Gasket—Gear Case	108	220897	Valve—Choke	187	296004	Line—Fuel (Flexible) 23"
81	220234	Lock—Screw	109	294874	Shaft and Lever	189	90366	Washer—Lock, 5/16 x 1/8 x 1/16
81A	222263	Lock—Screw (3/8" Dia. Bolt Holes) Note: 222929 Lock Screw (1/4" Dia. Bolt Holes)	110	220899	Washer—Choke Lever	196	222946	Support—Fuel Tank
82	91541	Screw—Cap, Hex. Hd.—5/16-24 x 7/8"	111	26229	Spring—Choke Lever	196A	222945	Support—Fuel Tank (Kerosene—Gasoline)
82A	92279	Screw—Cap, Hex. Hd.—5/16-24 x 1-1/2"	112	23270	Screw—Choke Lever	197	93083	Screw—Tank Mtg. Sem
83	211293	Shaft and Gear—Drive	113	†231216	Nozzle—Carburetor	198	293934	Valve Assembly—Fuel Shut Off
84	92617	Plug—Breather	116	280203	Packing—Needle Valve	199	295896	Outlet—Fuel Tank (includes Strainer) (for Flexible Fuel Pipe)
85	92747	Screw—Gear Case Mounting Sem	119	93347	Screw—Throttle Hsg. and Fuel Pump Body Mounting Sem	199A	392882	Valve—Shut Off (Kerosene—Gasoline)
86	291730	Cover Assy.—Gear Case	121	394010	Carburetor Overhaul Kit	199B	297563	Outlet—Fuel Tank
87	19011	Seal—Oil	127	220352	Plug—Welch	200	221480	Guide—Air
			128	210811	Venturi—Carburetor			
			132	211712	Stop—Throttle Lever			
			133	293477	Float—Carburetor			
			134	†293478	Valve and Seat—Fuel Inlet			

†Included in Carburetor Overhaul Kit—Part No. 394010.

131400 to 131499

REF. NO.	PART NO.	DESCRIPTION	REF. NO.	PART NO.	DESCRIPTION	REF. NO.	PART NO.	DESCRIPTION
201	261589	Link—Governor (Used after Code No. 80052900)	300	393615	Muffler—Exhaust (Lo-Tone)			Note: 298927 Switch—Stop Used on Type Nos. 0142, 0149, 0153, 0153, 0154.
	Note:	231210 Link—Governor (Used before Code No. 80052900)	300A	391313	Muffler—Exhaust			390785 Switch—Stop Used on Type Nos. 0130, 0131, 0132, 0133, 0134, 0136, 0137, 0141, 0147, 0155, 0157, 2035, 2036, 2038, 2049, 2080.
206	230149	Nut—Control Rod	306	221511	Shield—Cylinder			
207	26855	Spring—Control Rod	307	93042	Screw—Cylinder Shield Mounting Sem			
208	231211	Rod—Control	308	221512	Cover—Cylinder Head			
209	261126	Spring—Governor	325	299421	Starter Pulley with Screen	351	93735	Screw—Terminal
219	391737	Gear—Governor	330	69932	Rope—Starter	352	66068	Washer—Insulating (2)
220	221551	Washer—Thrust	331	220865	Washer—Flywheel	353	92791	Washer—Lock— Shakeproof (3)
222	393785	Plate—Gov. Control	332	92284	Nut—Flywheel	354	90576	Nut—Hex.—8-32
227	393920	Lever Assy.—Governor	333	298316	Armature—Magneto	355	66554	Washer—Insulating
	Note:	391966 Lever Assy.— Governor (Used before Code No. 79010500)	335	93414	Screw—Armature Mounting Sem	356	299500	Wire—Ground
230	222450	Washer—Governor Lever	337	298809	Plug—Spark (with Gasket) 1-1/2" High— 37-42 M.M.	356A	391255	Wire-Jumper
240	394358	Filter—Fuel (In Fuel Pipe)		Note:	29693 Plug—Spark (with Gasket) 2" High—51 M.M.	357	91539	Key
244	230318	Connector—Flexible Fuel Line			293918 Plug—Spark (with Gasket) 1-1/2" High (Resistor type)	358	297615	Gasket Set
265	221535	Clamp—Casing			392588 Plug—Spark (with Gasket) 2" High (Resistor type)	362	291630	Shield—Spark Plug (with Stop Switch)
267	93496	Screw—Sem	340	26018	Spring—Breaker Arm	363	19069	Puller—Flywheel (Optional Accessory)
268	66986	Casing—Control Wire— 48" long	341	93381	Screw—Breaker Arm Mounting Sem	372	220477	Clamp—Condenser
	Note:	If longer casing is needed, specify length in inches; if a shorter casing is needed, order No. 66986 and cut to required length.	342	65704	Plunger—Breaker Point	373	92987	Nut—Hex
269	26099	Wire—Control 54" long	344	93042	Screw—Condenser Clamp Mounting Sem	375	294628	Breaker Points and Condenser Set
	Note:	If longer wire is needed, specify length in inches; if shorter wire is needed, order No. 26099 and cut to required length.	345	220366	Cover—Breaker Point and Condenser		Note:	299061 Ignition Kit Includes: 294628 Set 65704 Plunger 61760 Key—Flywheel
270	63426	Locknut—Control Wire Casing	346	93705	Screw—Sem	378	22032	Washer—Needle Valve Packing
271	290568	Lever Assy.—Control	347	220884	Switch—Stop (For 1-1/2" High 37 & 42 M.M. Spark Plugs)	380	62199	Washer—Plain
278	220863	Washer (Between Support and Cyl. Hd.)				381	93158	Screw—Hex. Hd. Sem
298	261409	Locknut—Muffler				383	89838	Wrench—Spark Plug
299	393010	Muffler—Exhaust (Round Lo-Tone)				387	390765	Pump—Impulse
	Note:	393368 Muffler— Exhaust Used on Type No. 0140.					Note:	Order No. 394462 for Pump Repair Kit.
						445	392308	Cartridge—Air Cleaner
						446	222844	Base—Air Cleaner
						467	212293	Knob—Choke Rod
						506	90200	Screw—Machine Fill. Hd.—8-32 x 1/2"
						507	66895	Insulator—Terminal
						516	260374	Spring—Connector
						520	93722	Terminal—Spade
						521	298529	Shielding—Ignition Cable

131400 to 131499

REF. NO.	PART NO.	DESCRIPTION	REF. NO.	PART NO.	DESCRIPTION	REF. NO.	PART NO.	DESCRIPTION
523	297357	Cap—Oil Filler (with Dip Stick) Uses: 230537 Adaptor—Pipe	635	66538	Elbow—Spark Plug Note: 392273 Elbow— Shielding (Only Used with Spark Plug 29693) Used on Type Nos. 0145, 0161.	681	†393960	Needle Valve Assy. Note: 292088 Needle Valve (Kerosene—Gas)
524	65304	Gasket—Oil Filler Cap	642	222626	Cover—Air Cleaner	687	298957	Slide—Friction Control
525	91258	Nipple—Oil Filler	643	222845	Cup—Air Cleaner	688	221766	Cap—Friction Spring
526	93343	Screw—Control Bracket Mtg. Sem	645	23513	Bushing—Plunger	689	260847	Spring—Friction
535	270979	Element—Air Cleaner	655	222598	Anchor—Spring	690	92484	Screw—Machine, Fil. Hd.—10-32 x 1/2"
549	271118	Washer	658	222939	Brace—Fuel Tank	725	221885	Shield—Heat
552	231079	Bushing—Governor Crank	665	298858	Oil Minder	805	231001	Locknut—Impulse Pump
562	92613	Bolt—Governor Lever	676	393757	Deflector—Exhaust Note: For Spark Arrestor Assy., use No. 392193 on Type Nos. 0138, 0145, 0161, 2035, 2036, 2038, 2049, 2080. For Spark Arrestor Assy., use No. 392195 on Type No. 0150.	851	221798	Cable Terminal— Ignition
592	231082	Nut—Hex.—10-24				852	392368	Cleaner Group—Air
601	93053	Clamp—Fuel Pipe				861	394462	Pump Repair Kit (Walbro)
608	390463	Starter Assy.—Rewind				869	211787	Seat—Intake Valve (Standard)
613	93935	Screw—Hex Hd Shoulder Note: 93549 Screw— 1/4-20 Hex Hd				870	211436	Seat—Exhaust Valve (STELLITE®)
613A	93704	Screw—Muffler Mtg.				871	63709	Guide—Exhaust Valve
614	93306	Cotter—Hair Pin				883	270918	Gasket—Exhaust
615	93307	Retainer—E-Ring				888	393891	Line—Fuel (Flexible) (Short) (Kerosene—Gas)
616	231077	Crank—Governor				889	93915	Tee (Kerosene—Gas)
621	297472	Switch—Stop						