

JC 11

131400 to 131499

Illustrated Parts List

Model Series 131400 to 131499

TYPE NUMBERS
0300 through 0307
2134

TO FIND

THE CORRECT NUMBER OF THE PART YOU NEED:

FOLLOW THE INSTRUCTIONS BELOW

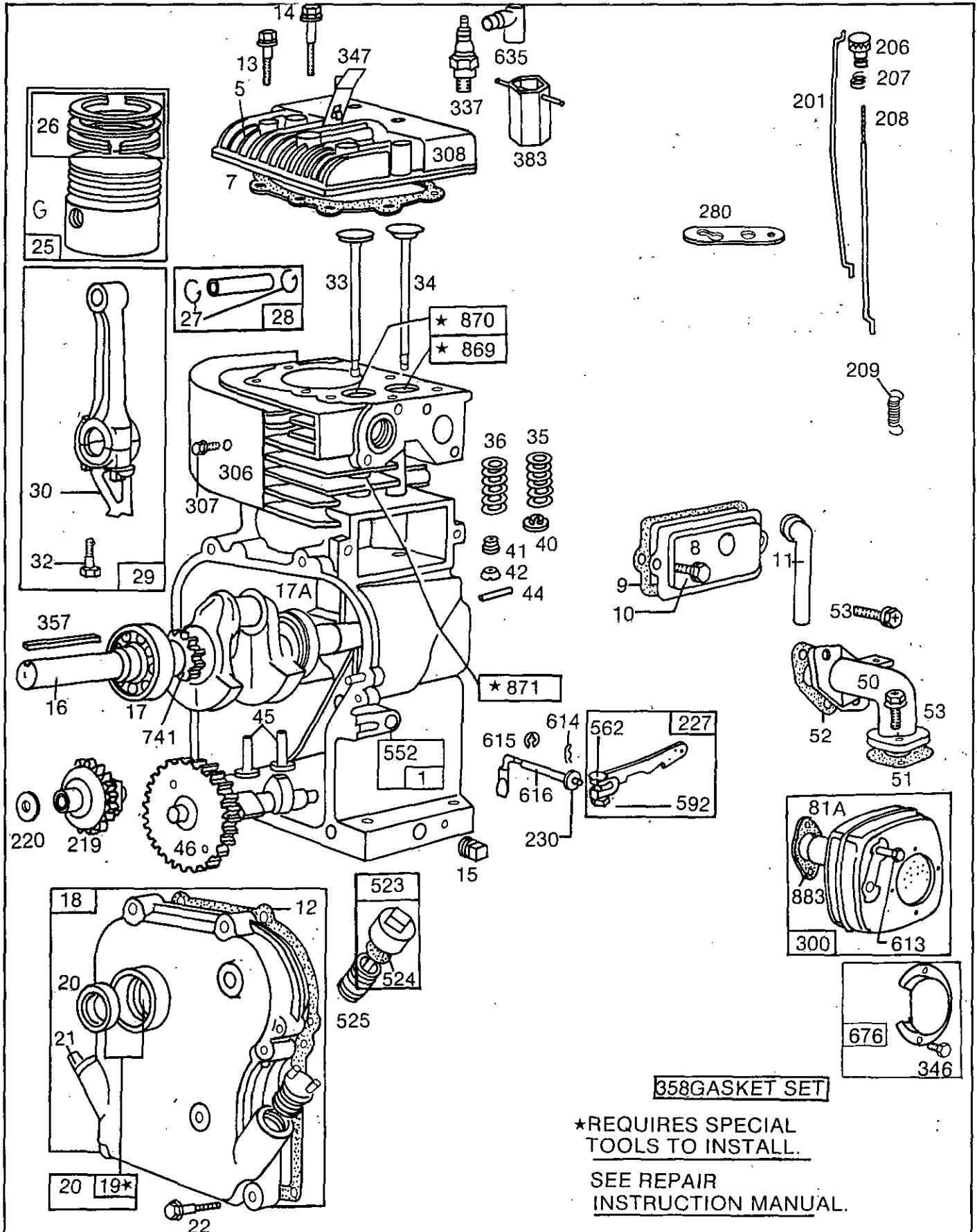
- A. Refer to Engine Model, Type and Code Number that is stamped on the blower housing of engine. Engine type numbers such as 012301 are listed herein only as 0123. The two digits (01 or 02, etc.) to the right of the space are not needed for parts identification. Then use the Illustrated Parts List covering the Model Series.
- B. Refer to Illustrated Parts section and compare the old part with illustration. The number on the illustration is the Reference Number. Assemblies include all parts shown in frames. All parts shown in assembly frames on which individual reference numbers are given can be purchased separately.
- C. After the Reference Number has been identified, refer to the Numerical Parts List, where Reference and Master Part Number are listed. **THE MASTER PART IS USED ON ALL TYPE NUMBERS EXCEPT THOSE TYPE NUMBERS UNDER "NOTE"**.
- D. If a "Note" appears below the Master Part Number, this means that this part differs from the Master Part for certain types. If the Type number is listed under "Note", order the part referred to.
- E. If the Engine Type Number does not appear after any part number listed under "Note", use the Master Part Number.
- F. For Type Numbers higher than those covered by this book, please refer to the factory if you are unable to identify the part by comparison.

PRINTED IN U.S.A.

COPYRIGHT ©

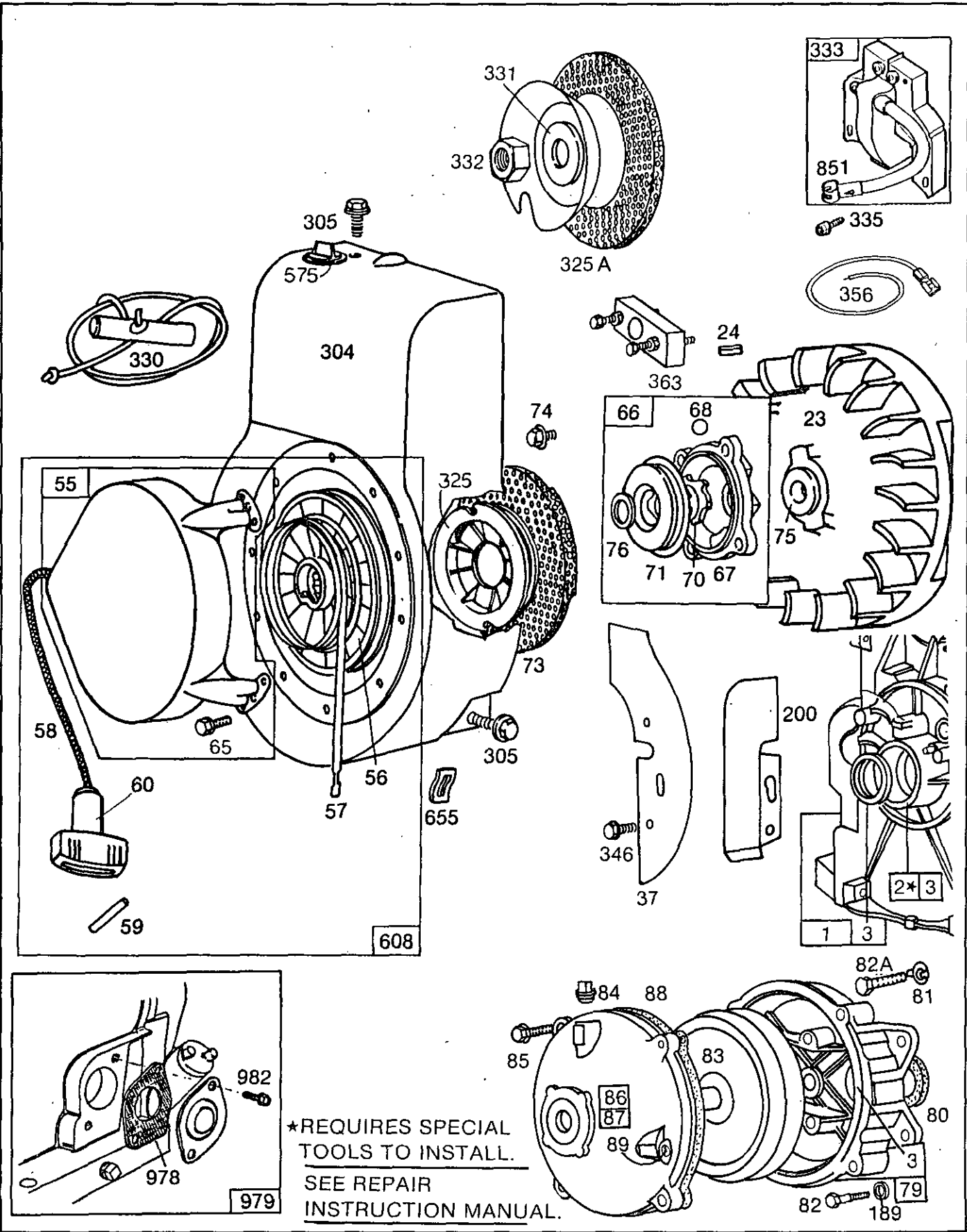


131400 to 131499



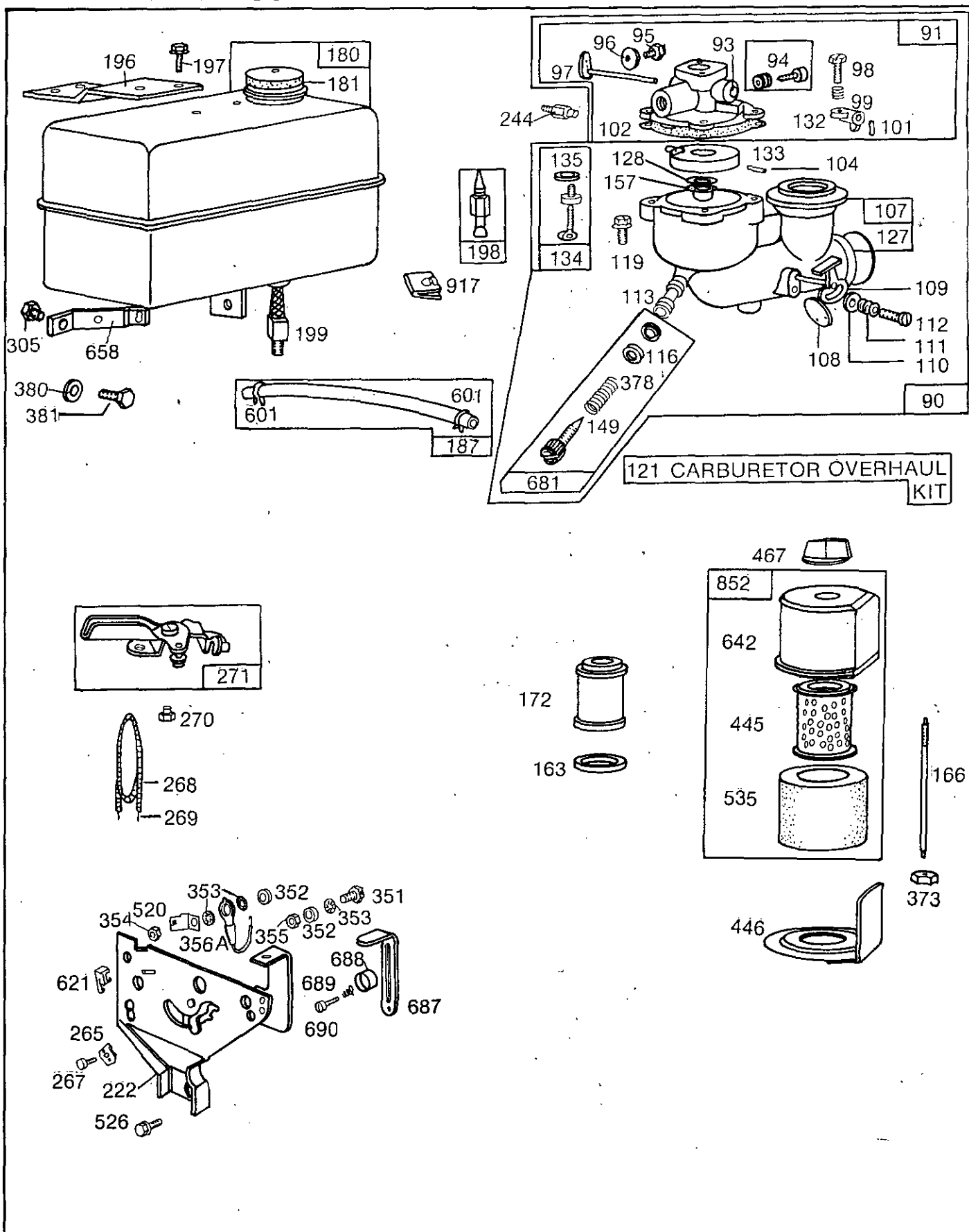
358GASKET SET

***REQUIRES SPECIAL TOOLS TO INSTALL.
SEE REPAIR INSTRUCTION MANUAL.**



★REQUIRES SPECIAL TOOLS TO INSTALL.
SEE REPAIR INSTRUCTION MANUAL.

131400 to 131499



8641-3

Assemblies include all parts shown in frames.

25

131400 to 131499

REF. NO.	PART NO.	DESCRIPTION	REF. NO.	PART NO.	DESCRIPTION	REF. NO.	PART NO.	DESCRIPTION
1	397673	Cylinder Assembly	19	297603	Bushing—Crankcase Cover			The Following Piston Ring Sets Are Used Before Code Date 85042200.
2	297565	Bushing—Cylinder			Note: Requires special tools for installation.			
		Note: Requires special tools for installation.	20	393812	Seal—Oil		393835	Ring Set—Standard Piston
3	299819	Seal—Oil			Used on <i>Model Series</i> 131431, 131432.		393836	Ring Set—.010" O.S. Piston
5	211542	Head—Cylinder		294606	Seal—Oil		393837	Ring Set—.020" O.S. Piston
7	*270383	Gasket—Cylinder Head			Used on Crankshaft on <i>Model Series</i> 131492.		393838	Ring Set—.030" O.S. Piston
8	294178	Breather—Valve Chamber		298504	Oil Seal and Spacer			
9	*27549	Gasket—Valve Cover			Used on <i>Model Series</i> 131452.	27	26026	Lock—Piston Pin
10	93394	Screw—Breather Mtg. Sem		391484	Seal—Oil	28	298909	Pin Assembly—Piston—Standard
11	66638	Grommet—Breather Tube			Used on the Auxiliary P.T.O. Shaft on <i>Model Series</i> 131492.		298908	Pin Assembly—Piston—.005" O.S.
12	*270080	Gasket—Crankcase—.015" thick (Standard)	21	66768	Plug—Oil Filler	29	299430	Rod Assy.—Connecting Rod
	*270125	Gasket—Crankcase—.005" thick	22	93032	Screw—Crankcase Cover Mounting Sem			Note: For Connecting Rod with .020" undersize Crankpin Bore—Order No. 390459.
	*270126	Gasket—Crankcase—.009" thick			Note: 93656 Stud	30	221890	Dipper—Connecting Rod
13	93368	Screw—Cylinder Head (2-3/32" long)		90832	Lockwasher	32	92296	Screw—Connecting Rod
14	93369	Screw—Cylinder Head (2-15/32" long)			Used on Type No. 0305.	33	260860	Valve—Exhaust
15	91249	Plug—Pipe, 1/4" Std., Square Head	23	297229	Flywheel—Magneto	34	261044	Valve—Intake
		Note: 94174 Plug—Magnetic Pipe (For OIL GARD™)	24	222698	Key—Flywheel (For MAGNETRON® Ignition)	35	260552	Spring—Intake Valve
16	397092	Crankshaft				36	268226	Spring—Exhaust Valve
		Note: To Replace Crankshaft Gear Pin, Order Part No. 230978.	25	393819	Piston Assembly—Standard	37	222443	Guard—Flywheel
		397084 Crankshaft Used on Type No. 0304.		393820	Piston Assembly—.010" O.S.	40	93312	Retainer—Intake Valve Spring
		397086 Crankshaft Used on Type No. 0307.		393821	Piston Assembly—.020" O.S.	41	292259	Rotocap—Exhaust Valve
		397094 Crankshaft Used on Type No. 0303.		393822	Piston Assembly—.030" O.S.	42	230127	Retainer—Exhaust Valve Rotocap
17	99158	Bearing—Ball (P.T.O. Side)	PISTON RING SETS:			44	230126	Pin—Exhaust Valve Rotocap Retainer
17A	99157	Bearing—Ball (Magneto Side)			Note: For Chrome Piston Ring Set—Standard Size—Order Part No. 299742.	45	260642	Tappet—Valve
18	298204	Cover Assy.—Crankcase Used on <i>Model Series</i> 131431, 131432.			The Following Piston Ring Sets Are Used After Code Date 85042100.	46	212733	Gear—Cam
	298183	Cover Assy.—Crankcase Used on <i>Model Series</i> 131492.	26	399067	Ring Set—Std. Piston			Note: 211284 Gear—Cam Used on Type No. 0304.
	298517	Cover Assy.—Crankcase Used on <i>Model Series</i> 131452.		399014	Ring Set—.010" O.S. Piston	50	212358	Elbow—Intake
				399015	Ring Set—.020" O.S. Piston	51	*68987	Gasket—Carburetor Mtg. (Elbow to Carburetor)
				399016	Ring Set—.030" O.S. Piston	52	*27355	Gasket—Carburetor Mounting
						53	93357	Screw—Carburetor and Intake Elbow Mounting
						55	397123	Housing—Rewind Starter
								Note: 299431 Housing—Rewind Starter Used on Type No. 0305.

*Included in Gasket Set—Part No. 297615.

131400 to 131499

REF. NO.	PART NO.	DESCRIPTION	REF. NO.	PART NO.	DESCRIPTION	REF. NO.	PART NO.	DESCRIPTION
56	295871	Pulley—Rewind Starter (Includes 63" long rope) If longer rope is re- quired, order rope No. 66894 and cut to length.	94	†292681	Valve Assembly— Carburetor Idle	198	293934	Valve Assembly—Fuel Shut Off
57	294303	Spring—Rewind Starter	95	93499	Screw—Throttle Valve to Shaft Sem	199	295896	Outlet—Fuel Tank (includes Strainer) (for Flexible Fuel Pipe)
58	66884	Rope—Rewind Starter— 63" long If longer rope is re- quired, order rope No. 66894 and cut to length.	96	222972	Valve—Throttle	200	221480	Guide—Air
59	230228	Pin—Starter Grip	97	393827	Shaft and Lever— Throttle	201	261589	Link—Governor
60	66728	Grip—Starter Rope	98	91920	Screw—Machine, Fill. Hd.—8-32 x 5/8"	206	231266	Nut—Control Rod
65	94063	Screw—Housing Mtg. Sem	99	†26157	Spring—Throttle Adjustment	207	26855	Spring—Control Rod
66	394558	Clutch Assembly— Rewind Starter	101	93043	Pin—Throttle Stop and Governor Shaft	208	261985	Rod—Control
67	394897	Housing—Starter Clutch	102	†27917	Gasket—Carburetor Body	209	261126	Spring—Governor
68	63770	Ball—Clutch	104	†23114	Pin—Float Hinge	219	391737	Gear—Governor
70	298799	Ratchet—Rewind Starter	107	393979	Body Assembly— Carburetor Lower	220	221551	Washer—Thrust
71	221653	Washer—Clutch Retainer	108	220897	Valve—Choke	222	393785	Plate—Governor Control Lever Assembly— Governor
73	221923	Screen—Starter Pulley	109	294874	Shaft and Lever	227	393920	Washer—Governor Lever
74	94062	Screw—Sem Note: 93490 Screw—Sem Used on Type No. 0305.	110	220899	Washer—Choke Lever	230	222450	Washer—Governor Lever
75	220865	Washer—Spring	111	26229	Spring—Choke Lever	244	230318	Connector—Flexible Fuel Line
76	68238	Washer—Ratchet Sealing	112	23270	Screw—Choke Lever	265	221535	Clamp—Casing
79	290779	Case Assembly—Gear	113	†231216	Nozzle—Carburetor	267	93496	Screw—Sem
80	27667	Gasket—Gear Case	116	280203	Packing—Needle Valve	268	66986	Casing—Control Wire— 48" long Note: If longer casing is needed, specify length in inches; if a shorter casing is needed, order No. 66986 and cut to required length.
81	220234	Lock—Screw	119	93347	Screw—Throttle Housing and Fuel Pump Body Mounting Sem	269	26099	Wire—Control 54" long Note: If longer wire is needed, specify length in inches; if shorter wire is needed, order No. 26099 and cut to required length.
81A	222263	Lock—Screw (3/8" Dia. Bolt Holes)	121	394010	Carburetor Overhaul Kit	270	63426	Locknut—Control Wire Casing
82	91541	Screw—Cap, Hex. Hd.—5/16-24 x 7/8"	127	220352	Plug—Welch	271	290568	Lever Assembly— Control
82A	92279	Screw—Cap, Hex. Hd.—5/16-24 x 1-1/2"	128	210811	Venturi—Carburetor	280	223236	Strap—Control Rod
83	211293	Shaft and Gear—Drive	132	212904	Stop—Throttle Lever	300	393615	Muffler—Exhaust (Lo-Tone)
84	92617	Plug—Breather	133	293477	Float—Carburetor	304	398345	Housing—Blower Note: 299410 Housing— Blower Used on Type No. 0305.
85	92747	Screw—Gear Case Mounting Sem	134	†293478	Valve and Seat— Fuel Inlet	305	93158	Screw—Blower Housing Mounting
86	291730	Cover Assembly— Gear Case	135	68877	Gasket—Fuel Inlet Valve Seat			
87	19011	Seal—Oil	149	261357	Spring—Needle Valve			
88	27313	Gasket—Gear Case Cover	157	†27840	Gasket—Venturi			
89	93448	Plug—Oil Drain	163	271042	Gasket—Air Cleaner (Below Spacer)			
90	393753	Carburetor Assembly	166	231314	Stud—Air Cleaner			
91	393978	Housing Assembly— Throttle	172	280213	Spacer—Air Cleaner			
93	23230	Bushing—Throttle Shaft	172A	271139	Gasket—Air Cleaner (Above Spacer)			
			180	292945	Tank Assembly—Fuel (3 Quart)			
			181	393156	Cap—Fuel Tank (Chrome)			
			187	296004	Line—Fuel (Flexible) 23"			
			189	90366	Washer—Lock, 5/16 x 1/8 x 1/16			
			196	222946	Support—Fuel Tank			
			197	93083	Screw—Tank Mtg. Sem			

†Included in Carburetor Overhaul
Kit—Part No. 394010.

131400 to 131499

REF. NO.	PART NO.	DESCRIPTION	REF. NO.	PART NO.	DESCRIPTION	REF. NO.	PART NO.	DESCRIPTION
306	221511	Shield—Cylinder	378	22032	Washer—Needle Valve Packing	655	222598	Anchor—Spring
307	93042	Screw—Cylinder Shield Mounting Sem	380	62199	Washer—Plain	658	222939	Brace—Fuel Tank
308	221512	Cover—Cylinder Head	383	89838	Wrench—Spark Plug	676	393757	Deflector—Exhaust
325	280457	Starter Pulley—Rope	445	396424	Cartridge—Air Cleaner			Note: For Spark Arrestor Assy., Use No. 392193 on Type No. 2134.
325A	299421	Starter Pulley with Screen	446	395642	Base—Air Cleaner	681	†393960	Needle Valve Assembly
330	69932	Rope—Starter	467	212706	Knob—Air Cleaner	687	298957	Slide—Friction Control
331	220865	Washer—Flywheel	520	93722	Terminal—Spade	688	221766	Cap—Friction Spring
332	92284	Nut—Flywheel	523	297357	Cap—Oil Filler (with Dipstick)	689	260847	Spring—Friction
333	397358	Armature Assembly	524	65304	Gasket—Oil Filler Cap	690	90746	Screw—Machine, Fil. Hd.—10-32 x 5/8"
335	93414	Screw—Armature Mounting Sem	525	91258	Nipple—Oil Filler	741	261696	Gear—Timing (Plain Bearing)
337	298809	Plug—Spark 1-1/2" High—37-42 M.M.			Note: Use 394884 Adapter Oil Filler with Nipple			Note: 262060 Gear—Timing (Ball Bearing)
		Note: 293918 Plug—Spark 1-1/2" High (Resistor Type)	526	93343	Screw—Control Bracket Mounting Sem	851	221798	Cable Terminal—Ignition
346	93705	Screw—Sem	535	271466	Element—Air Cleaner	852	396397	Cleaner Group—Air
347	220884	Switch—Stop (For 1-1/2" High 37 & 42 M.M. Spark Plugs)	552	231079	Bushing—Governor Crank	869	211787	Seat—Intake Valve (Standard)
351	93735	Screw—Terminal	562	92613	Bolt—Governor Lever	870	211436	Seat—Exhaust Valve (Cobalite®)
352	66068	Washer—Insulating (2)	575	396691	Stop Switch—Rotary	871	262001	Guide—Exhaust Valve
353	92791	Washer—Lock—Shakeproof (3)	592	231082	Nut—Hex.—10-24			Note: 63709 Guide—Intake Valve Only (Replacement) See Repair Instruction Manual.
354	90576	Nut—Hex.—8-32	601	93053	Clamp—Fuel Pipe	883	270918	Gasket—Exhaust
355	66554	Washer—Insulating	608	397124	Starter Assembly—Rewind	917	223271	Valve Handle—Fuel Shut Off
356	398874	Wire—Ground			Note: 390463 Starter Assy.—Rewind Used on Type No. 0305.	978	271736	Gasket—Oil Switch
356A	391255	Wire—Jumper	613	93935	Screw—Hex. Hd. Shoulder	979	398194	Cover—OilGard® Hole
357	91539	Key	614	93306	Cotter—Hair Pin	982	94139	Screw—OilGard® Cover
358	297615	Gasket Set	615	93307	Retainer—E-Ring			
363	19069	Puller—Flywheel (Optional Accessory)	616	231077	Crank—Governor			
373	92987	Nut—Hex	621	297472	Switch—Stop			
			635	66538	Elbow—Spark Plug			
			642	223306	Cover—Air Cleaner			

†Included in Carburetor Overhaul Kit—Part No. 394010.