

131900 to 131999

Illustrated Parts List

Model Series

131900 to 131999

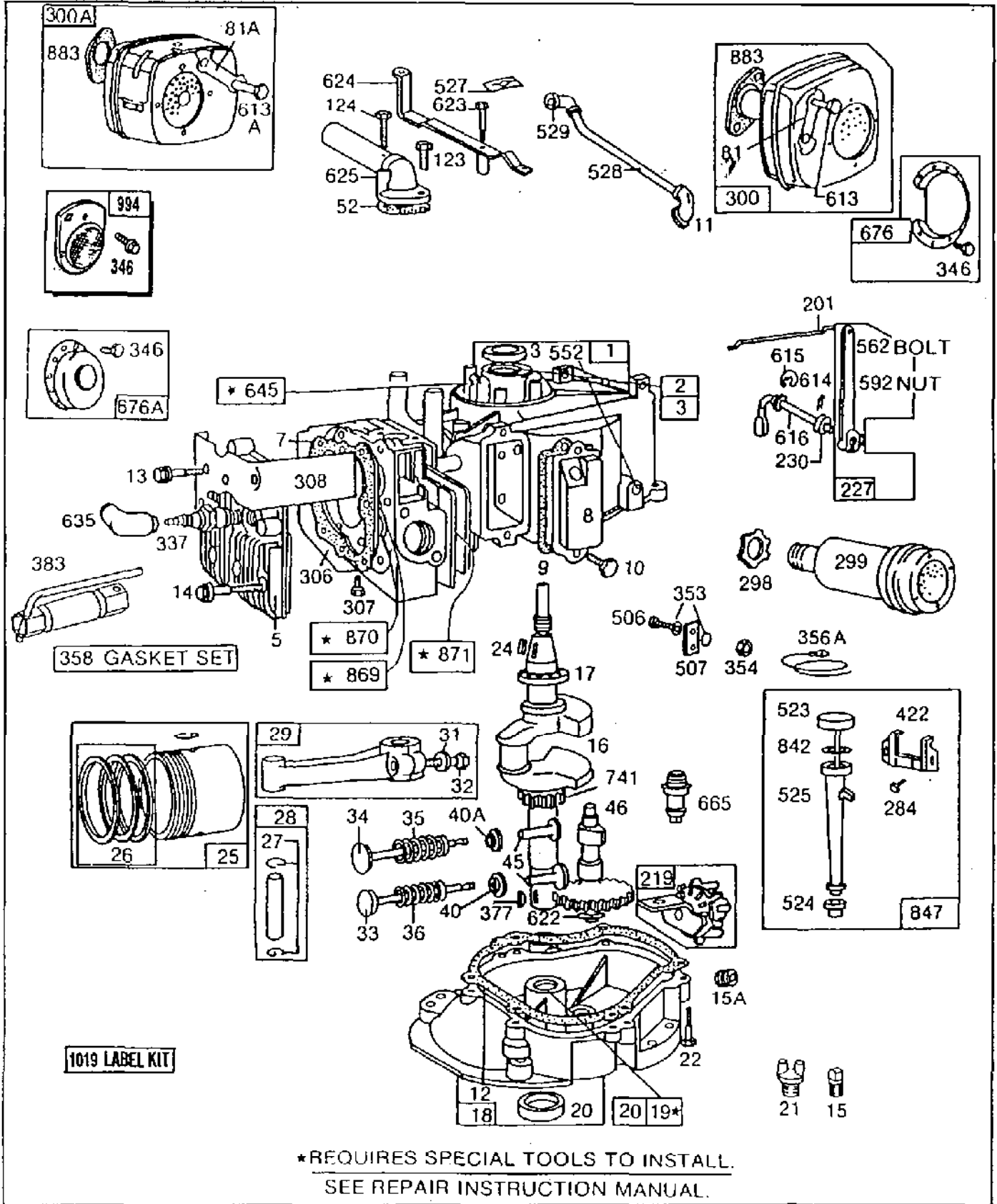
TYPE NUMBERS
0110 through 0176
2015 through 2017

TO FIND
THE CORRECT NUMBER OF THE PART YOU NEED:
FOLLOW THE INSTRUCTIONS BELOW

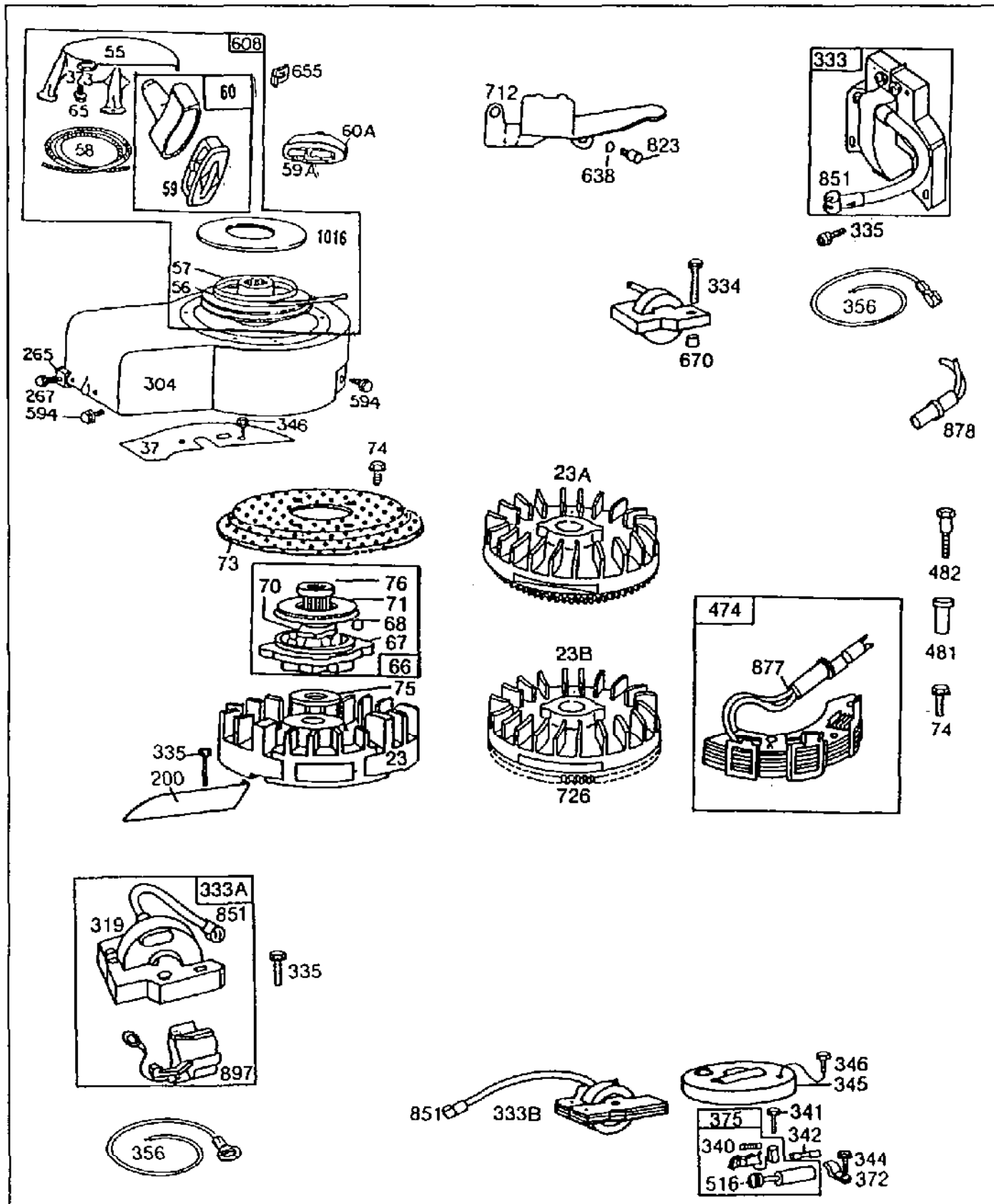
- A. Refer to Engine Model, Type and Code Number that is stamped on the blower housing of engine. Engine type numbers such as 012301 are listed herein only as 0123. The two digits (01 or 02, etc.) to the right of the space are not needed for parts identification. Then use the Illustrated Parts List covering the Model Series.
- B. Refer to Illustrated Parts section and compare the old part with illustration. The number on the illustration is the Reference Number. Assemblies include all parts shown in frames. All parts shown in assembly frames on which individual reference numbers are given can be purchased separately.
- C. After the Reference Number has been identified, refer to the Numerical Parts List, where Reference and Master Part Number are listed. **THE MASTER PART IS USED ON ALL TYPE NUMBERS EXCEPT THOSE TYPE NUMBERS UNDER "NOTE."**
- D. If a "Note" appears below the Master Part Number, this means that this part differs from the Master Part for certain types. If the Type number is listed under "Note," order the part referred to.
- E. If the Engine Type Number does not appear after any part number listed under "Note," use the Master Part Number.
- F. For Type Numbers higher than those covered by this book, please refer to the factory if you are unable to identify the part by comparison.

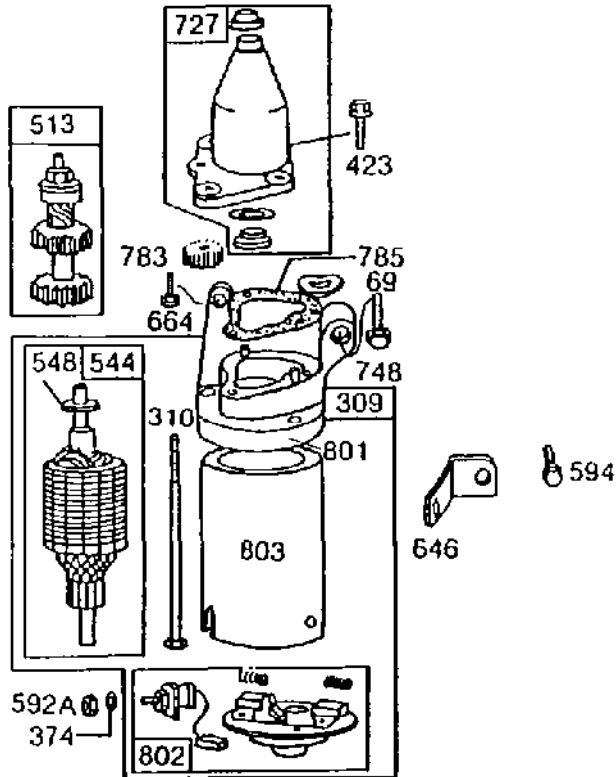


131900 to 131999



***REQUIRES SPECIAL TOOLS TO INSTALL.
SEE REPAIR INSTRUCTION MANUAL.**





Subject	Ref. No. 309	Ref. No. 544	Ref. No. 803	Ref. No. 802
Starter Motor Mfr.	Motor	Armature Assembly	Housing Assembly	End Cap Assy. Commutator
American Bosch				
12V	390232*	390467	390468	390465

*Used #92813 Lockwasher and #231082 Hex Nut.

Ref. No. 513	Ref. No. 727	Flywheel Ring Gear Material
Drive Assembly	Drive Housing	
390581	390317	Steel
397645**	394416	Aluminum

**Includes #280311 Starter Cover.

Ref. No. 423	Ref. No. 785	Ref. No. 783	Ref. No. 69	Ref. No. 310	Ref. No. 548	Ref. No. 664	Ref. No. 748	Ref. No. 801
Sem Screw 93654	Gasket 270677	Pinion 230972	Washer 93676	MOTOR Bolt 93648	Washer 93649	Mig. Screw 93358	Mig. Screw 93534	Mounting Head 390316

131900 to 131999

REF. NO.	PART NO.	DESCRIPTION	REF. NO.	PART NO.	DESCRIPTION	REF. NO.	PART NO.	DESCRIPTION	
1	398885	Cylinder Assembly		397108	Crankshaft			The Following Piston Ring Sets Are Used After Code Date 85042100.	
2	297565	Bearing—Cylinder Note: Requires special tools for installation.			Used on Type Nos. 0132, 0135, 0146, 0155, 2015.	26	399067		Ring Set—Std. Piston
3	299819	Seal—Oil		397114	Crankshaft		399014		Ring Set—.010" O.S. Piston
5	211542	Head—Cylinder			Used on Type Nos. 0139, 2017.		399015		Ring Set—.020" O.S. Piston
7	*270383	Gasket—Cylinder Head		393941	Crankshaft		399016		Ring Set—.030" O.S. Piston
8	297261	Breather—Valve Chamber			Used on Type No. 0137.				The Following Piston Ring Sets Are Used Before Code Date 85042200. Note: For Chrome Piston Ring Set—Standard Size—Order Part No. 299742.
9	*27549	Gasket—Valve Cover		397112	Crankshaft				
10	93394	Screw—Breather Mtg. Sem			Used on Type No. 0140.				
11	67738	Grommet—Breather		394222	Crankshaft				
12	*270069	Gasket—Crankcase—.015" thick (Standard)			Used on Type Nos. 0143, 0170.				
	*270122	Gasket—Crankcase—.005" thick		397283	Crankshaft				
	*270123	Gasket—Crankcase—.009" thick			Used on Type No. 0163.				
13	93368	Screw—Cylinder Head (2—3/32" long) Note: 93583 Stud—Cylinder Head	17	99157	Bearing—Ball		393835	Ring Set—Std. Piston	
		22963 Washer Used on Type No. 0163.	18	297587	Sump—Oil Note: 390575 Sump—Oil Used on Type Nos. 0143, 0163, 0171.		393836	Ring Set—.010" O.S. Piston	
14	93369	Screw—Cylinder Head (2—15/32" long) Note: 93583 Stud—Cylinder Head	19	297604	Bushing—Oil Sump Note: Requires special tools for installation.	27	26026	Lock—Piston Pin	
		22963 Washer Used on Type No. 0163.	20	391485	Seal—Oil	28	298909	Pin Assy.—Piston—Standard	
15	91084	Plug—Oil Drain	21	66768	Plug—Oil Filler		298908	Pin Assy.—Piston—.005" O.S.	
15A	93418	Plug—Oil Drain (Hexagon Socket Hd.)	22	93032	Screw—Sump Mtg. Sem	29	299429	Rod Assy.—Connecting Note: For Connecting Rod with .020" undersize Crankpin Bore—order No. 390459.	
16	493769	Crankshaft Note: To Replace Crankshaft Gear Pin. Order Part No. 230978, Used only with Loose Gear. 397110 Crankshaft Used on Type Nos. 0111, 0130, 0131, 0134, 0141, 0142, 0148, 0149, 0151, 0154, 0156, 0159, 0162, 0168, 0172, 0174.	23	297229	Flywheel—Magneto			Washer—Flat (2) Screw—Connecting Rod (Used After Code Date 90051300). 260860 Valve Exhaust (Used Before Code Date 90051400). Note: 211119 Valve—Exhaust Uses: 26478 Spring—Exhaust Valve	
			23A	390509	Flywheel—Magneto	31	222282		
			23B	394424	Flywheel—Magneto (Aluminum Ring Gear) (Steel Ring Gear)	32	92296		
			24	222698	Key—Flywheel	33	262464		
			25	393819	Piston Assembly—Standard				
				393820	Piston Assembly—.010" O.S.				
				393821	Piston Assembly—.020" O.S.				
				393822	Piston Assembly—.030" O.S.				

* Included in Gasket Set—Part No. 297616.

131900 to 131999

REF. NO.	PART NO.	DESCRIPTION	REF. NO.	PART NO.	DESCRIPTION	REF. NO.	PART NO.	DESCRIPTION
		93312 Retainer-Valve Spring Used on Type Nos. 0138, 0156, 0167.	65	93067	Screw-Stamped Steel Rewind Starter Housing Mounting	124	93367	Screw-Intake Elbow Mounting
34	261044	Valve-Intake	66	399671	Clutch Assembly-Rewind Starter	127	22831	Plug-Welch
35	260552	Spring-Intake Valve	67	394897	Housing-Starter Clutch	147	230591	Seat-Needle Valve
36	262750	Spring-Exhaust Valve (Used After Code Date 90051300).	68	63770	Ball-Clutch	148	22235	Washer-Needle Valve (2)
	Note:	26826 Spring-Exhaust Valve (Used Before Code Date 90051400).	70	298436	Ratchet-Starter Clutch	149	26336	Spring-Needle Valve
37	222443	Guard-Flywheel	71	394506	Washer-Clutch Retainer (Rubber Coated)	151	92634	Screw-Machine, Rd. Hd.-5-40 x 5/8"
	Note:	222579 Guard-Flywheel (Used on Engines with Electric Start)		Note:	221653 Washer-Clutch Retainer (Non-Coated)	152	260575	Spring-Throttle Adjustment
40	491442	Rotocap-Exhaust Valve (Used After Code Date 90051300).	73	221923	Screen-Rewind Starter	163	271139	Gasket-Air Cleaner
	Note:	292259 Rotocap-Exhaust Valve	74	93490	Screw-Rotation Screen and Rectifier Mtg.	165	93856	Nut-Wing (#10-32)
	Uses:	230126 Pin-Exhaust Valve Rotocap Retainer	75	220865	Washer-Spring	166	231332	Stud-Air Cleaner (1/4" Stud)
		230127 Retainer-Exhaust Valve Rotocap (Used Before Code Date 90051400).	76	68238	Washer-Ratchet Sealing	166A	231175	Stud-Air Cleaner
40A	93312	Retainer-Intake Valve Spring	81	222263	Lock-Muffler Screw (3/8" Dia. Bolt Holes)	177	271077	Gasket Air-Cleaner
45	260642	Tappet-Valve		Note:	222929 Lock-Screw (1/4" Dia. Bolt Holes)	180	297257	Tank Assembly-Fuel
46	212733	Gear-Cam	90	396748	Carburetor Assembly (Used After Code Date 83110600)	181	394818	Cap-Fuel Tank
52	*270070	Gasket-Intake Elbow Mounting		Note:	299448 Carburetor Assembly (Used before Code Date 83110700)	190	93440	Screw-Fuel Tank Mtg.
55	299431	Housing-Rewind Starter	95	93499	Screw-Throttle Valve to Shaft Sem	191	*270073	Gasket-Fuel Tank Mounting
56	295871	Pulley-Rewind Starter	96	211237	Valve-Throttle	200	221480	Guide-Air
57	490179	Spring-Rewind Starter	97	299692	Shaft and Lever-Throttle	201	260649	Link-Governor
58	66884	Rope-Rewind Starter-63" long (For use with Plastic Pulley) If longer Rope is required, order Rope No. 66894 and cut to length.	109	396753	Shaft, Lever and Valve-Choke (Used after Code Date 83110600)	202	260654	Link-Throttle
				Note:	390076 Shaft, Lever and Valve-Choke (Used before Code Date 83110700)	209	260703	Spring-Governor
59	490653	Insert-Starter Handle	114	66594	Gasket-Needle Valve Nut		Note:	260711 Spring-Gov. Used on Type Nos. 0130, 0133, 0134, 0138, 0140, 0142, 0143, 0146, 0147, 0149, 0151, 0152, 0155, 0156, 0157, 0158, 0160, 0161, 0166, 0167, 0168, 0169, 0176, 2016, 2017.
59A	230228	Pin-Starter Rope	116	65978	Packing-Needle Valve			261047 Spring-Governor
60	490652	Handle-Rewind Starter	117	230590	Nut-Needle Valve			Used on Type Nos. 0131, 0132, 0136, 0137, 0148, 0150, 0153, 0159, 0162, 0163, 0165, 0172.
60A	66728	Grip-Starter Rope	118	23433	Valve-Needle	219	297249	Oil Slinger Gear, Governor and Bracket
			123	93512	Screw-Intake Elbow Mounting	227	391967	Lever Assy.-Governor
						230	222450	Washer-Governor Crank
						265	22372	Clamp-Casing

* Included in Gasket Set-Part No. 297616.

131900 to 131999

REF. NO.	PART NO.	DESCRIPTION	REF. NO.	PART NO.	DESCRIPTION	REF. NO.	PART NO.	DESCRIPTION
267	93469	Screw—Clamp Mtg.			(Used Before Code Date 87020900.)	375	294628	Breaker Points and Condenser Set
268	66986	Casing—Control Wire—48" long	308	221452	Cover—Cylinder Head			Note: 299061 Ignition Kit
		Note: If longer casing is needed, specify length in inches; if a shorter casing needed, order No. 66986 and cut to required length.	319	395490	Armature Assy. (Less Trigger Coil)			Includes:
			333	397358	Armature Assembly			294628 Set
			333A	397358	Armature Group (MAGNETRON® Ignition)			65704 Plunger
269	26099	Wire—Control, 54" long	333B	298316	Armature—Magneto (For Points and Condenser)	377	93065	Key—Woodruff No. 6
		Note: If longer wire is needed, specify length in inches; if shorter wire is needed, order No. 26099 and cut to required length.	334	93613	Screw—Armature Mtg. Sem (2)	383	89838	Wrench—Spark Plug
			335	93414	Screw—Armature Mtg. Sem	392	260455	Spring—Fuel Pump Diaphragm
270	63426	Locknut—Control Wire Casing	337	492167	Plug—Spark (1—7/8" High, 48 mm)	394	270026	Diaphragm
271	290568	Lever Assy.—Control			Note: 298809 Plug—Spark (1—1/2" High, 37—42 mm)	408	93537	Screw—Sem
284	93410	Screw—Clamp Mtg.			293916 Plug—Spark (1—1/2" High, Resistor Type)	409	299509	Housing—Speed Control
288	261409	Locknut—Muffler	340	26018	Spring—Breaker Arm	410	260948	Link—Speed Control
299	393010	Muffler—Exhaust	341	93381	Screw—Breaker Arm Mounting Sem	422	222576	Clamp—Oil Filler Tube
300	393615	Muffler—Exhaust (Lo—Tone)	342	65704	Plunger—Breaker Point	432	221377	Cap—Spring
300A	390918	Muffler—Exhaust (Lo—Tone)	344	93042	Screw—Condenser Clamp Mtg. Sem	433	93265	Pin—Diaphragm Cover
		Note: 395601 Guard—Muffler	345	220366	Cover—Breaker Point and Condenser	434	210959	Cover—Diaphragm
		Uses:	346	93490	Screw—Hex. Hd.	435	93141	Screw—Diaphragm Cover
		93879 Screw—Sem (Guard to Cylinder Head)	351	91920	Screw—Machine, Fil. Hd.—8—32 x 5/8"	445	396424	Cartridge—Air Cleaner
		94186 Screw—Hex Head (2) (Guard to Muffler)	352	66068	Washer—Insulating	445A	392308	Cartridge—Air Cleaner
		222289 Washer Used on Type No. 0141.	353	92791	Washer—Lock—Shakeproof (2)	446	222844	Base—Air Cleaner
304	392277	Housing—Blower	354	90576	Nut—Hex.—8—32	446A	395642	Base—Air Cleaner
		Note: 394918 Housing—Blower Used on Type Nos. 0143, 0170.	355	66554	Collar—Insulating	467	212706	Knob—Air Cleaner
			356	398808	Wire—Ground	467A	212293	Knob—Air Cleaner
305	93158	Screw—Tank Bracket Mounting Sem			Note: 398153 Wire—Ground Used on Type No. 0130, 0147, 0166, 0169.	474	394173	Stator Assembly—Alternator
306	221484	Shield—Cylinder	356A	396585	Wire—Ground	481	230970	Bushing—Stator
307	93490	Screw—Sem (Used After Code Date 87020800.)	358	297616	Gasket Set	482	93639	Screw—Alternator Armature Mounting
		Note: 93042 Screw—Cylinder Shield	363	19060	Puller—Flywheel	506	90200	Screw—Machine, Fil. Hd.—8—32 x 1/2"
			372	220477	Clamp—Condenser	507	66895	Insulator
			373	92987	Nut—Hex. (4)	516	260374	Spring—Connector
						520	93722	Terminal—Spade
						523	391840	Cap with Dipstick (Screw Cap)
						524	68838	Seal—Oil Filler Tube to Sump
						525	280133	Tube—Oil Filler to Sump
						527	93376	Clip—Breather Pipe
						528	230717	Tube—Breather
						529	67608	Grommet—Breather Tube
						535	271466	Element—Air Cleaner

* Included in Gasket Set—Part No. 297616.

131900 to 131999

REF. NO.	PART NO.	DESCRIPTION	REF. NO.	PART NO.	DESCRIPTION	REF. NO.	PART NO.	DESCRIPTION		
536	396397	Cleaner Assy.—Air			0149, 0156, 0159,	670	261065	Spacer—Armature (2)		
536A	392368	Cleaner Assy.—Air			0164, 0173, 0174,	676	393757	Deflector—Exhaust		
549	271118	Washer—Air Cleaner			2015, 2016, 2017.			Note: 393758 Deflector—		
552	231078	Bushing—Governor Shaft			391091 Plate Assy.—			Exhaust		
562	92613	Bolt—Governor Lever			Remote Carb. Control			Used on Type No.		
592	231082	Nut—Hex.—10—24			Used on Type Nos.			0157.		
594	93559	Screw—Blower Housing Mounting Sem			0130, 0147, 0163,	676A	395700	Deflector—Exhaust		
608	390463	Starter Assy.—Rewind	621	396847	Switch—Stop	681	299060	Needle Valve Kit		
609	260029	Spring—Throttle Link			(Used after Code Date	712	222491	Guard—Ring Gear		
611	391813	Fuel Pipe and Clip Assembly			85061000)	726	397644	Gear—Ring		
612	296811	Pipe—Fuel (Plastic)			Note: 297472 Switch—Stop			(Includes Mtg. Screws)		
613	93935	Screw—Hex. Head Shoulder			(Used before Code			Used with Flywheel		
		Note: 93549 Screw—			Date 85061100)	741	261696	Gear—Timing		
		1/4—20 Hex. Hd.			622	260676	Washer—Spring	823	93712	Screw—Socket Head
613A	94042	Screw—Muffler Mtg. (Used After Code Date			(Used between cam			842	270920	Seal—Filler Cap
		82091400.)			gear boss and oil			847	392066	Dipstick and Tube
		Note: 93704 Screw—Muffler			slinger bracket)					Assembly
		Mounting			623	231520	Screw—Shoulder	851	221798	Cable Terminal—Ignition
		(Used Before Code			(Used After Code Date			853	396763	Brace—Air Cleaner
		Date 82091300.)			87020500.)			869	211787	Seat—Intake Valve
					Note: 93838 Screw—Shoulder					(Standard)
614	93306	Cotter—Hair Pin			(Used before Code	870	211436	Seat—Exhaust Valve		
615	93307	Retainer—E—Ring			Date 87020600.)			(Cobalite®)		
616	231076	Crank—Governor			624	297252	Lever—Linkage	871	262001	Guide—Exhaust Valve
617	280393	Seal—Intake Elbow Tube			625	297254	Elbow and Tube—Intake			Note: 63709 Guide—Intake
618	260648	Spring—Choke Return			634	271853	Washer—Throttle Shaft			Valve
619	93380	Screw—Control Plate Mounting					(Foam)	877	393854	Diode and Connector
620	297548	Plate Assy.—Remote Carburetor Control			Note: 270167 Washer—					Assembly
		Note: 297457 Plate Assy.—			Throttle Shaft			878	393422	Alternator Harness
		Manual Carb. Control			(Felt)					Assembly
		Used on Type Nos.			635	66538	Elbow—Spark	883	270918	Gasket—Exhaust
		0133, 0134, 0138,			638	93713	Washer—Lock	897	394970	Trigger Coil—
		0139, 0141, 0146,			642	223306	Cover—Air Cleaner			Magnetron® Ignition
					642A	222626	Cover—Air Cleaner	987	398970	Seal—Throttle Shaft
					643	222845	Cup—Air Cleaner			(Used after Code Date
					645	23513	Bushing—Plunger			85102000.)
					646	222162	Bracket—Starter Motor	994	399541	Arrester—Spark
					655	222598	Anchor—Spring	1016	490817	Spacer
					665	295768	Oil Minder	1019	491101	Label Kit

* Included in Gasket Set—
Part No. 297616.

