

132200 to 132299

Illustrated Parts List Industrial/Commercial Model Series 132200 to 132299

TYPE NUMBERS

0111 through 0147

0200 through 0218

0222 through 0268

2035 through 2038

and 2049

2130 through 2143

2149, 2150, 2175

TO FIND

THE CORRECT NUMBER OF THE PART YOU NEED:

FOLLOW THE INSTRUCTIONS BELOW

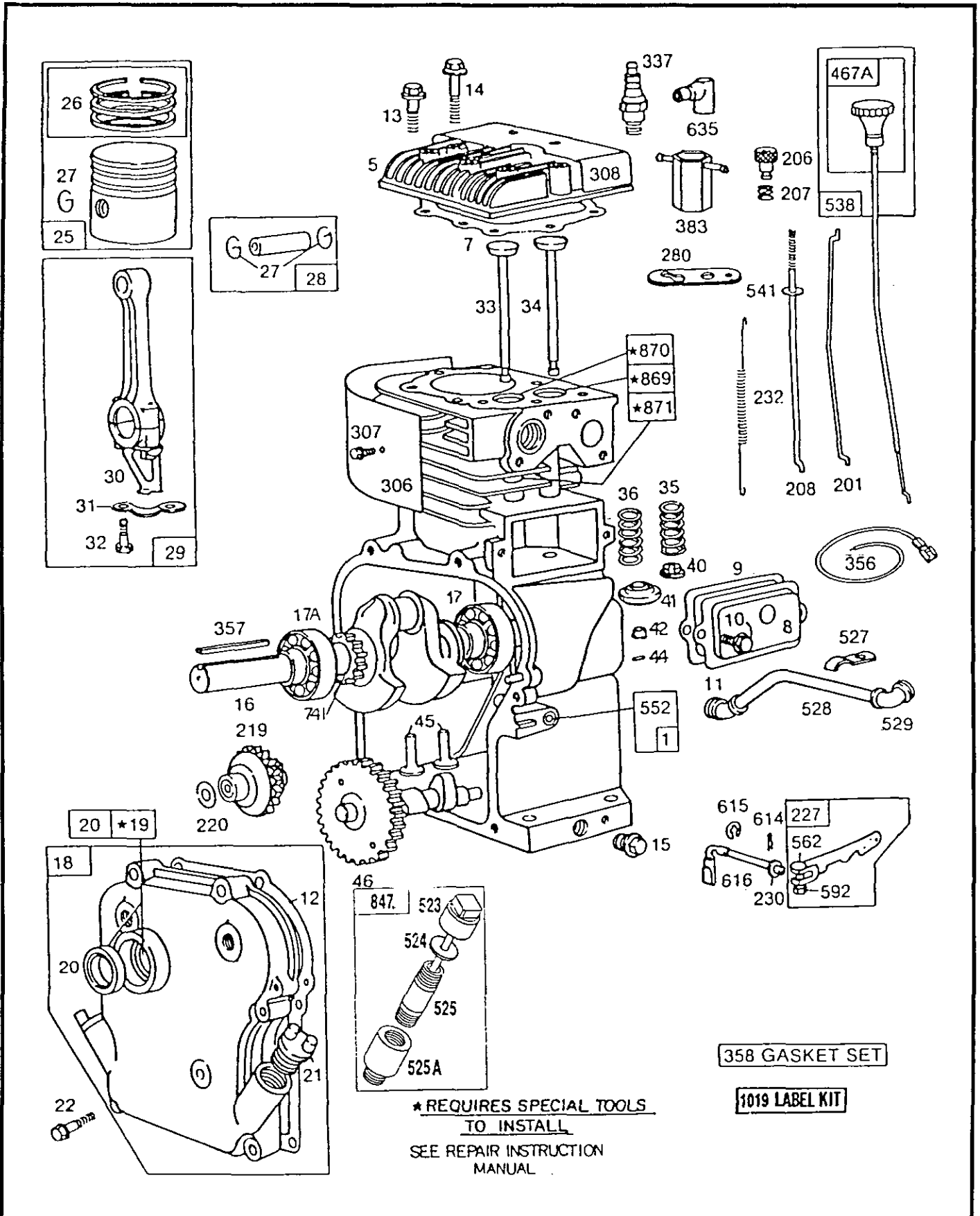
- A. Refer to Engine Model, Type and Code Number that is stamped on the blower housing of engine. Engine type numbers such as 012301 are listed herein only as 0123. The two digits (01 or 02, etc.) to the right of the space are not needed for parts identification. Then use the Illustrated Parts List covering the Model Series.
- B. Refer to Illustrated Parts section and compare the old part with illustration. The number on the illustration is the Reference Number. Assemblies include all parts shown in frames. All parts shown in assembly frames on which individual reference numbers are given can be purchased separately.
- C. After the Reference Number has been identified, refer to the Numerical Parts List, where Reference and Master Part Number are listed. **THE MASTER PART IS USED ON ALL TYPE NUMBERS EXCEPT THOSE TYPE NUMBERS UNDER "NOTE"**.
- D. If a "Note" appears below the Master Part Number, this means that this part differs from the Master Part for certain types. If the Type number is listed under "Note", order the part referred to.
- E. If the Engine Type Number does not appear after any part number listed under "Note", use the Master Part Number.
- F. For Type Numbers higher than those covered by this book, please refer to the factory if you are unable to identify the part by comparison.

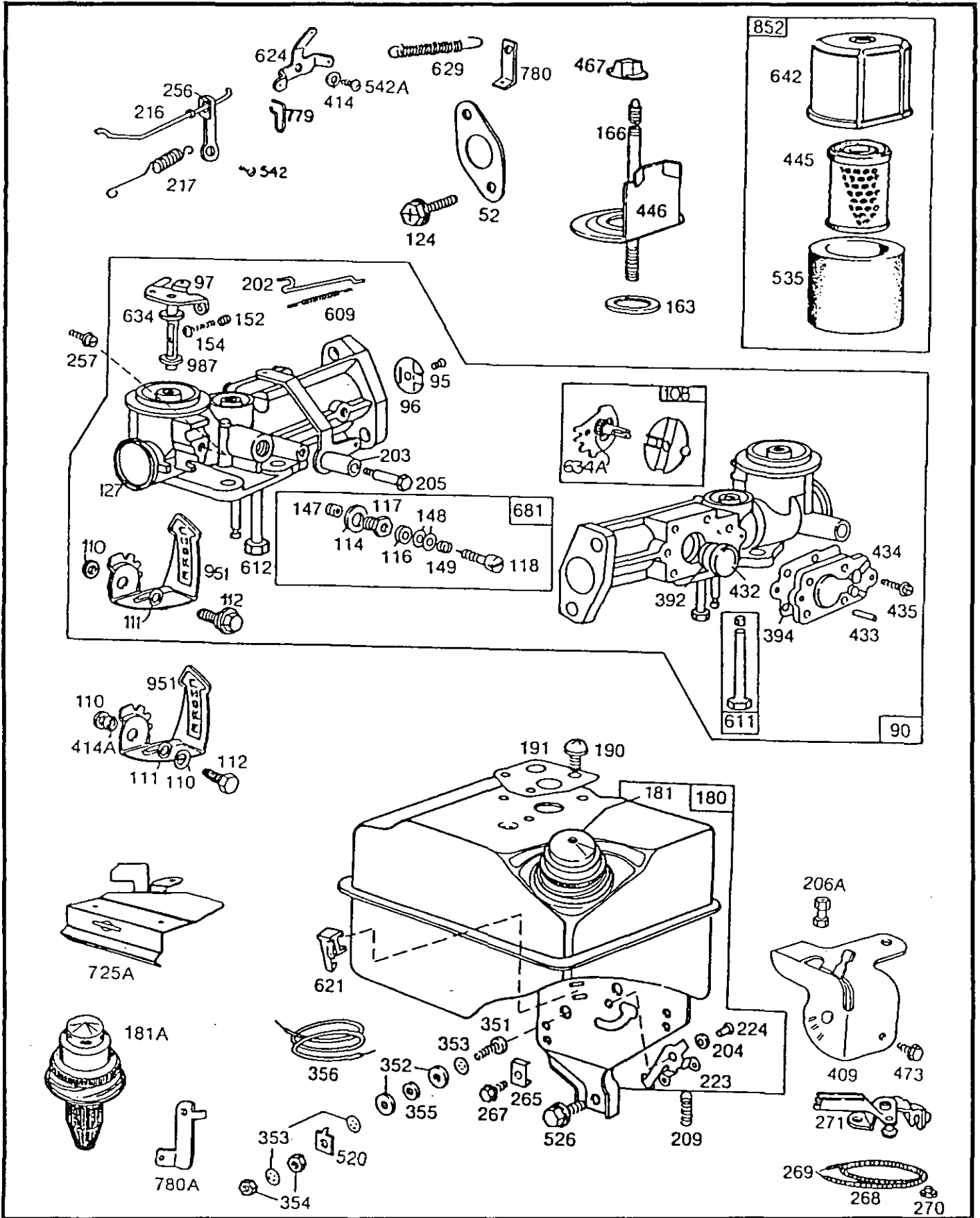
PRINTED IN U.S.A.

COPYRIGHT ©

BRIGGS & STRATTON

132200 to 132299



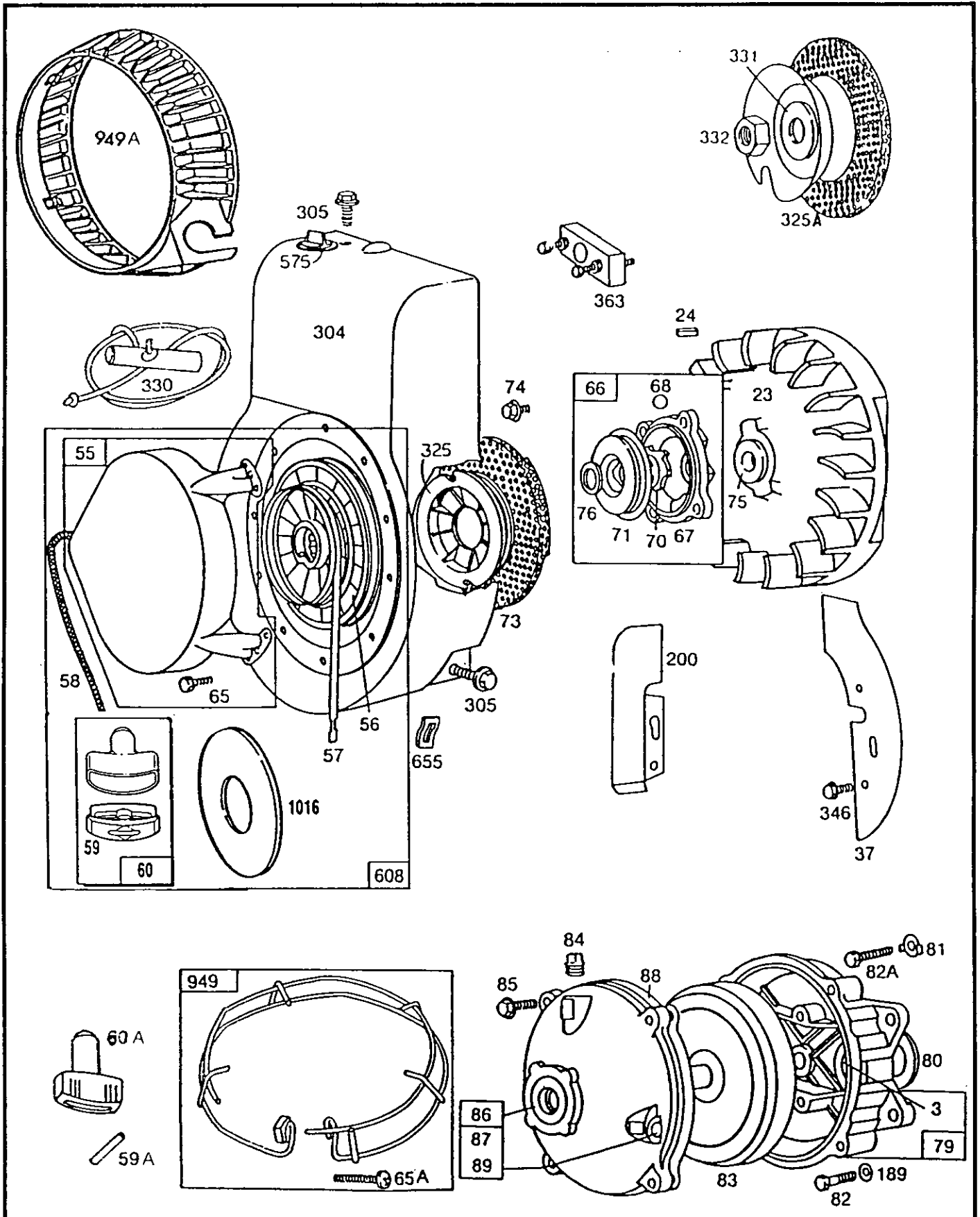


8506-2

Assemblies include all parts shown in frames.

30

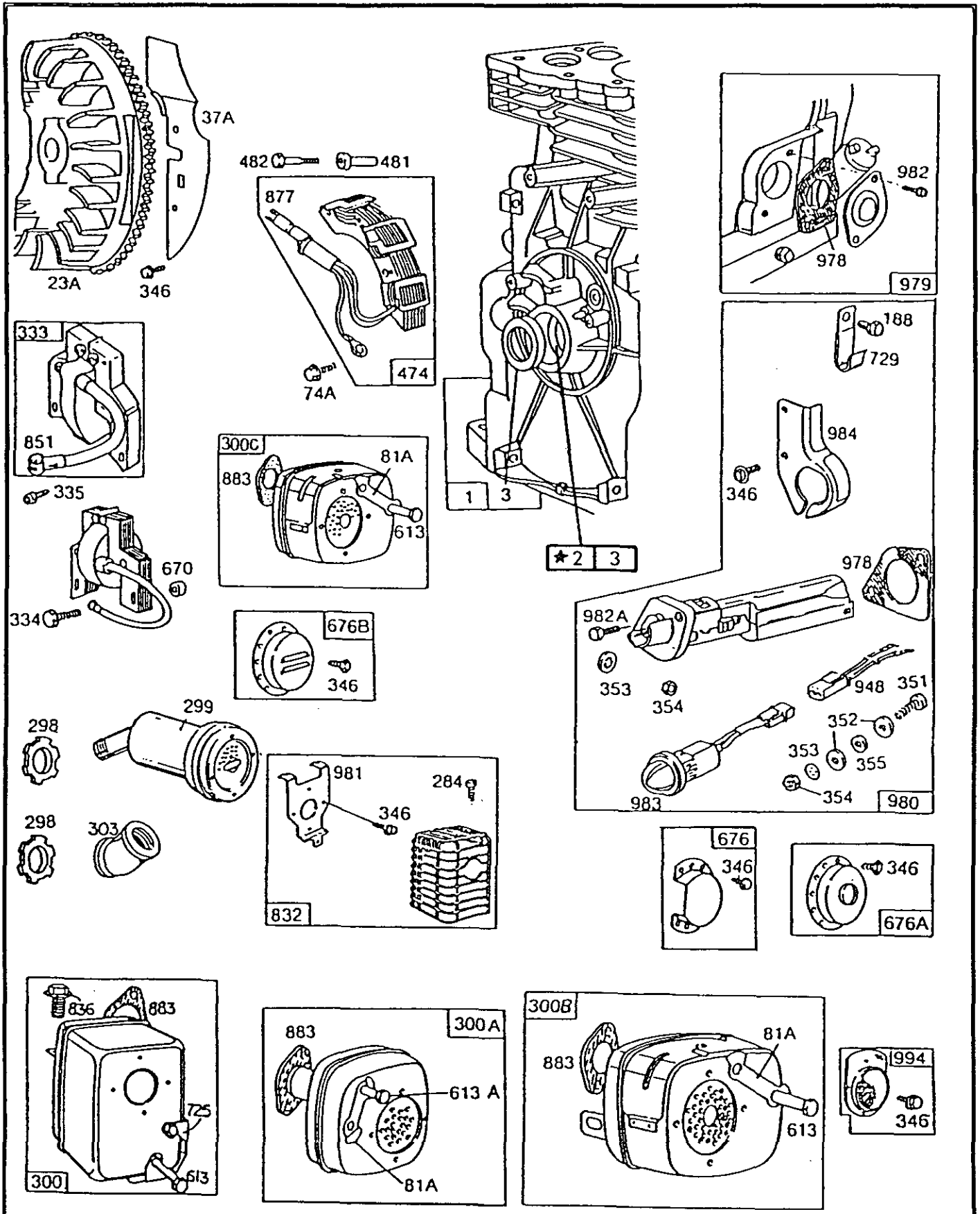
132200 to 132299



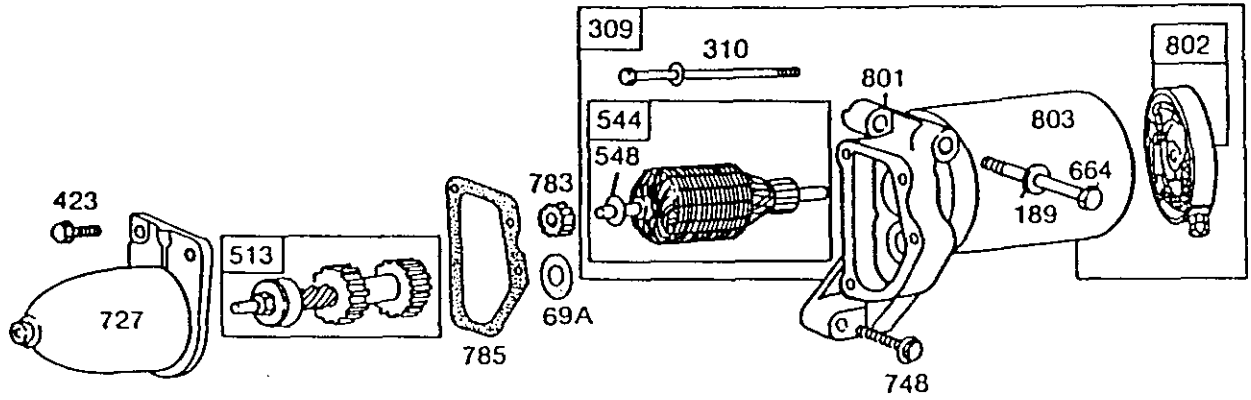
8506-3

Assemblies include all parts shown in frames.

30



132200 to 132299



Reference Number	309	513	544	802	803
Starter Motor Mfr.	Motor	Drive Assembly	Armature Assembly	End Cap Ass'y. Commutator	Housing Assembly
American					
Bosch					
12V	390551*	390581	390467	390465	390468

*Uses #92813 Lockwasher and #231082 Hex Nut.

Reference Numbers									
69A	310	423	548	664	727	748	783	785	801
Washer 93676	Motor Bolt 93648	Sem. Screw 93654	Washer 93649	Mtg. Screw 93358	Drive Hsg. 390543	Mtg. Screw 93534	Pinion 230972	Gasket 270718	Mtg. Head 390544

132200 to 132299

REF. NO.	PART NO.	DESCRIPTION	REF. NO.	PART NO.	DESCRIPTION	REF. NO.	PART NO.	DESCRIPTION	
1	393839	Cylinder Assembly Note: 397673 Cylinder Assy. Used on Engines with OIL GARD®		397088	Crankshaft Used on Type Nos. 0145, 0240.			398335	Cover Assy.—Crankcase Used on Type Nos. 0142, 0232, 0239.
2	297565	Bushing—Cylinder Note: Requires special tools for installation.		397090	Crankshaft Used on Type Nos. 0115, 0131, 0136, 0140, 0200, 0201, 0209, 0210, 0230, 0235, 0250, 0253, 0258, 0262, 2038, 2138, 2139.	19	297603	Bushing—Crankcase Cover Note: 398336 Bushing—Crankcase Cover Used on Type Nos. 0142, 0232, 0239. All bushings require special tools for installation.	
3	299819	Seal—Oil		397099	Crankshaft Used on Type Nos. 0130, 0216, 0266, 2150.	20	393812	Seal—Oil Note: 298504 Oil Seal and Spacer Used on Type Nos. 0142, 0232, 0239, 0244.	
5	211542	Head—Cylinder		397101	Crankshaft Used on Type No. 0256.			294606	Seal—Oil (Crankshaft) and 391484 Seal—Oil (Auxiliary P.T.O. Shaft) Used on Type Nos. 0117, 0238, 0247.
7	* 270383	Gasket—Cylinder Head		398318	Crankshaft Used on Type Nos. 0142, 0232, 0244.	21	66768	Plug—Oil Filler	
8	294178	Breather—Valve Chamber		492089	Crankshaft Used on Type Nos. 0121, 0132, 0146, 0205, 0207, 0211, 0225, 0231, 0237, 0263, 0265, 2035, 2130, 2135, 2175.	22	93032	Screw—Crankcase Cover Mounting Sem	
9	* 27549	Gasket—Valve Cover		493770	Crankshaft Used on Type Nos. 0116, 0137, 0147, 0203, 0233, 0241, 0242, 0255, 0267, 2049, 2149.	23	297229	Flywheel—Magneto	
10	93394	Screw—Breather Mtg. Sem				23A	390509	Flywheel Assembly	
11	66578	Grommet—Breather Tube				24	222698	Key—Flywheel	
12	* 270080	Gasket—Crankcase—.015" thick (Standard)				25	393819	Piston Assembly—Standard	
	* 270125	Gasket—Crankcase—.005" thick	17	99157	Bearing—Ball (Magneto Side)			393820	Piston Assembly—.010" O.S.
	* 270126	Gasket—Crankcase—.009" thick	17A	99158	Bearing—Ball (P.T.O. Side)			393822	Piston Assembly—.030" O.S.
13	93368	Screw—Cylinder Head (2-3/32" long) Note: 93583 Stud—Cylinder Head 22963 Washer Used on Type Nos. 0204, 0223, 0231, 0244, 0246.	18	298204	Cover Assembly—Crankcase Note: 298183 Cover Assy.—Crankcase Used on Type Nos. 0117, 0238, 0247. 298517 Cover Assy.—Crankcase Used on Model Series 132212, 132251 and 132252 except as listed under note.				The Following Piston Ring Sets Are Used After Code Date 85042100.
14	93369	Screw—Cylinder Head (2-15/32" long) Note: 93583 Stud—Cylinder Head 22963 Washer Used on Type No. 0223, 0231, 0246, 0249.				26	399067	Ring Set—Std. Piston	
15	91249	Plug—Pipe, 1/4" Std., Square Head Note: 93448 Plug—Pipe (Hex—Socket) 94174 Plug—Oil Drain (Magnetic)					399014	Ring Set—.010" O.S. Piston	
16	493898	Crankshaft Note: To Replace Crankshaft Gear Pin, Order Part No. 230978. 397084 Crankshaft Used on Type No. 0117, 0238, 0239, 0247.					399015	Ring Set—.020" O.S. Piston	
							399016	Ring Set—.030" O.S. Piston	

* Included In Gasket Set—Part No. 397145

132200 to 132299

REF. NO.	PART NO.	DESCRIPTION	REF. NO.	PART NO.	DESCRIPTION	REF. NO.	PART NO.	DESCRIPTION
		The Following Piston Ring Sets Are Used Before Code Date 85042200.						
	Note:	For Chrome Piston Ring Set—Standard Size—Order Part No. 299742.		Note:	93312 Retainer—Exhaust Valve Spring Used on Type Nos. 0207, 0208, 0263.	70	298799	Ratchet—Rewind Starter Clutch
393835		Ring Set—Standard Piston	44	230126	Pin—Exhaust Valve Rotocap Retainer	71	394506	Washer—Clutch Retainer (Rubber Coated)
393836		Ring Set—.010" O.S. Piston	45	260642	Tappet—Valve		Note:	221653 Washer—Clutch Retainer (Non-Coated)
393837		Ring Set—.020" O.S. Piston	46	212733	Gear—Cam	73	221923	Screen—Starter Pulley
393838		Ring Set—.030" O.S. Piston		Note:	212780 Gear—Cam Used on Type Nos. 0117, 0238, 0247.	74	94062	Screw—Sem
27	26026	Lock—Piston Pin	52	* 27355	Gasket—Carburetor Mounting (2)		Note:	93490 Screw—Sem Used on Type Nos. 0206, 0218, 0223, 0230, 0231, 0238, 0254, 0262, 0268.
28	298909	Pin Assy.—Piston—Standard	55	397123	Housing—Rewind Starter	74A	93490	Screw—Sem Used to Mount Alternator Ground Wire.
	298908	Pin Assy.—Piston—.005" O.S.		Note:	299431 Housing—Rewind Starter Used on Type Nos. 0206, 0218, 0223, 0230, 0231, 0238, 0262, 0268.	75	220865	Washer—Spring
29	299430	Rod Assy.—Connecting	56	295871	Pulley—Rewind Starter (Includes 63" long rope) If longer rope is required, order rope No. 66894 and cut to length.	76	68238	Washer—Ratchet Sealing
	Note:	For Connecting Rod with .020" undersize Crankpin Bore—Order No. 390459.				79	290779	Case Assembly—Gear
30	221890	Dipper—Connecting Rod	57	490179	Spring—Rewind Starter	80	27667	Gasket—Gear Case
31	221876	Lock—Screw Head	58	66884	Rope—Rewind Starter—63" long (For use with Plastic Pulley) If longer rope is required, order rope No. 66894 and cut to length.	81	220234	Lock—Screw
32	92296	Screw—Connecting Rod				81A	222263	Lock—Screw
33	260860	Valve—Exhaust				82	91541	Screw—Cap, Hex. Hd.—5/16-24 x 7/8"
	Note:	211119 Valve—Exhaust Used on Type Nos. 0207, 0208, 0263.				82A	92279	Screw—Cap, Hex. Hd.—5/16-24 x 1-1/2"
34	261044	Valve—Intake	59	490653	Insert—Starter Handle	83	211293	Shaft and Gear—Drive
35	260552	Spring—Intake Valve	59A	230228	Pin—Starter Grip	84	92617	Plug—Breather
36	26826	Spring—Exhaust Valve	60	490652	Handle—Rewind Starter	85	92747	Screw—Gear Case Mounting Sem
	Note:	26478 Spring—Exhaust Valve Used on Type Nos. 0207, 0208, 0263.	60A	66728	Grip—Starter Rope	86	291730	Cover Assy.—Gear Case
37	222443	Guard—Flywheel	65	94063	Screw—Housing Mtg. Sem	87	19011	Seal—Oil
37A	222578	Guard—Flywheel (Used on Engines with Electric Starters)		Note:	94128 Screw—Sem 92987 Nut—Hex Used on Type Nos. 0206, 0218, 0223, 0230, 0231, 0238, 0262, 0268.	88	27313	Gasket—Gear Case Cover
40	93312	Retainer—Intake Valve Spring	65A	94124	Screw—Guard Retaining	89	93448	Plug—Oil Drain
41	292259	Rotocap—Exhaust Valve	66	399671	Clutch Assembly—Rewind starter	90	397135	Carburetor Assembly
42	230127	Retainer—Exhaust Valve Rotocap					Note:	397940 Carburetor Assembly Used on Type Nos. 0134, 0137, 0141, 0212, 0217, 0218, 0227, 0252, 0254, 0268.
			67	394897	Housing—Rewind Starter Clutch	95	93499	Screw—Throttle Valve to Shaft Sem
			68	63770	Ball—Clutch	96	211203	Throttle—Carburetor
						97	299212	Shaft and Lever—Throttle
						108	397134	Valve & Shaft Group—Choke
						110	66432	Washer—Choke Lever

* Included In Gasket Set—Part No. 397145

132200 to 132299

REF. NO.	PART NO.	DESCRIPTION	REF. NO.	PART NO.	DESCRIPTION	REF. NO.	PART NO.	DESCRIPTION
		0203, 0205, 0231, 0236, 0238, 0240, 0242, 0265.			0239, 0243, 0244, 0245, 0246, 0247, 0248, 0249, 0250, 0251, 0252, 0253, 0255, 0256, 0257, 0258, 0260, 0261, 0265, 0267.			Note: 397535 Wire—Ground Used on Type Nos. 0130, 0131, 0132, 0133, 0134, 0136, 0137, 0138, 0139, 0140, 0143, 0144, 0145, 0146, 0147, 0201.
284	93572	Screw—Self Tapping			398345 Housing—Blower			398808 Wire—Ground Used on Type Nos. 0142, 0212, 0217, 0224, 0227, 0229, 0232, 0239, 0243, 0244, 0246, 0247, 0252, 0254, 0267, 0268.
298	261409	Locknut—Muffler			Used on Type Nos. 0206, 0218, 0223, 0230, 0231, 0238, 0254, 0262, 0263, 0268.			
299	393368	Muffler—Exhaust (Round Lo-Tone)			398345 Housing—Blower			
	Note:	393010 Muffler—Exhaust (Round Lo-Tone)			Used on Type Nos. 0206, 0218, 0223, 0230, 0231, 0238, 0254, 0262, 0263, 0268.			
	Uses:	223327 Bracket—Muffler			Used on Type Nos. 0133, 0239, 0257, 0268.			
300	396001	Muffler—Exhaust (Lo-Tone)	305	93158	Screw—Blower Housing Mounting	357	91539	Key
300A	393615	Muffler—Exhaust	306	221511	Shield—Cylinder	358	397145	Gasket Set
300B	391313	Muffler—Exhaust	307	93490	Screw—Cylinder Shield Sem	363	19069	Flywheel Puller (Optional Accessory)
	Note:	391232 Guard—Muffler			(Used after Code Date 87020800.)	363	19069	Flywheel Puller (Optional Accessory)
	Uses:	94153 Screw—Guard and Retainer Mounting (Used After Code Date 88090200.)			Note: 93042 Screw—Cylinder Shield (Used before Code Date 87020900.)	383	89838	Wrench—Spark Plug
		93415 Screw (Guard and Retainer Mounting) (Used Before Code Date 88090300.)	308	221512	Cover—Cylinder Head	392	260455	Spring—Fuel Pump Diaphragm
		93606 Screw (Guard to Muffler Mounting)	325	280457	Starter Pulley—Rope	394	270026	Diaphragm
		222379 Retainer—Muffler (Used Before Code Date 88090300.)	325A	299421	Starter Pulley (With Screen)	409	299837	Lever-Trol—Speed Control
		222361 Brace—Muffler Used on Type Nos. 0226.	330	69932	Rope—Starter	414	220982	Washer
300C	390918	Muffler—Exhaust (Lo-Tone)	331	220865	Washer—Flywheel	414A	231325	Spacer (Used before Code Date 86011300)
303	94089	Elbow—Exhaust, 45°	332	92284	Nut—Flywheel	432	221377	Cap—Spring
304	396923	Housing—Blower	333	397358	Armature Group	433	93265	Pin—Diaphragm Cover
	Note:	397654 Housing—Blower	334	93613	Screw—Armature Mounting Sem (2)	434	210959	Cover—Diaphragm
		Used on Type Nos. 0130, 0216, 0266, 2150.	335	93414	Screw—Armature Mounting Sem	435	93141	Screw—Diaphragm Cover
		397719 Housing—Blower	337	298809	Plug—Spark 1-1/2" High—37-42 M.M.	445	396424	Cartridge—Air Cleaner
		Used on Type Nos. 0142, 0212, 0224, 0227, 0229, 0232,			Note: 293918 Plug—Spark 1-1/2"—37 M.M. (Resistor Type)	446	395642	Base—Air Cleaner
			346	93705	Screw—Sem	467	212706	Knob—Air Cleaner
			351	93735	Screw—Terminal	467A	391908	Knob—Choke Rod
			352	66068	Washer	473	93612	Screw—Sem
			353	92791	Washer—Lock—Shakeproof (3)	474	394173	Stator Assembly—Alternator
			354	90576	Nut—Hex.—8-32 (2)	481	230970	Bushing—Stator
			355	66554	Washer—Insulating	482	93639	Screw—Alternator Armature Mounting
			356	398874	Wire—Ground	520	93722	Terminal—Spade
						523	297357	Cap—Oil Filler
						524	65304	Gasket—Oil Filler Cap
						525	91258	Nipple—Oil Filler
						525A	394884	Adapter—Oil Filler Pipe
						526	93343	Screw—Tank Bracket Mounting Sem

132200 to 132299

REF. NO.	PART NO.	DESCRIPTION	REF. NO.	PART NO.	DESCRIPTION	REF. NO.	PART NO.	DESCRIPTION
527	221514	Clamp—Breather Tube	635	66538	Elbow—Spark Plug	980	398182	Switch—Oil Gard®
528	231328	Tube—Breather	642	223306	Cover—Air Cleaner	981	223373	Bracket—Muffler Guard
	Note:	231386 Tube—Breather	655	222598	Anchor—Spring	982	94139	Screw—Oil Gard® Cover
		Used on Engines with Heat Shield Ref. 725A.	665	298858	Oil Minder	982A	94146	Screw—Oil Gard® Mtg.
529	67838	Grommet—Breather Tube	670	261065	Spacer—Armature	983	398660	Light—Indicator
535	271466	Element—Air Cleaner	676	393757	Deflector—Exhaust (Side Outlet)	984	223527	Bracket—Indicator Light
538	390756	Rod—Control	676A	395700	Deflector—Exhaust (Direct Outlet)	987	398970	Seal—Throttle Shaft (Used after Code Date 85071400.)
541	22398	Washer	676B	393758	Deflector—Exhaust (Louvered)	994	399541	Spark Arrester
542	94025	Screw	681	299060	Needle Valve Kit	1016	490817	Spacer
542A	93141	Screw	725	223303	Shield—Heat	1019	491102	Label Kit
552	231079	Bushing—Governor Crank	725A	223334	Shield—Heat			
562	92613	Bolt—Governor Lever	729	223528	Clip—Wire			
575	396691	Stop Switch—Rotary	741	261696	Gear—Timing (Plain Bearing)			
592	231082	Nut—Hex.—10-24		Note:	262060 Gear—Timing (Ball Bearing)			
608	397124	Starter Assy.—Rewind	779	390383	Link—Bell Crank (Includes Bell Crank)			
	Note:	390463 Starter Assy.—Rewind	780	223169	Anchor—Spring			
		Used on Type Nos. 0206, 0218, 0223, 0230, 0231, 0238, 0254, 0262, 0268.	780A	222267	Anchor—spring			
609	260694	Spring—Throttle Link		Uses:	222268 Connector—Control Cable			
611	391813	Fuel Pipe and Clip Assembly			93496 Screw for Mounting to Tank Bracket			
612	296811	Pipe—Fuel	832	398069	Guard—Muffler			
613	94054	Screw—Hex Hd. Shoulder	836	93559	Screw—Hex. Head			
	Note:	94042 Screw—Hex Hd. Shoulder	847	493955	Tube Assy—Oil			
		Used on Type Nos. 0226, 0246.	851	221798	Cable Terminal—Ignition			
613A	93935	Screw—Hex Head	852	396397	Cleaner Group—Air			
614	93306	Cotter—Hair Pin	869	211787	Seat—Intake Valve (Standard)			
615	93307	Retainer—E-Ring	870	211436	Seat—Exhaust Valve (Standard)			
616	231077	Crank—Governor		Note:	For Options see Repair Manual.			
621	297472	Switch—Stop	871	262001	Guide—Exhaust Valve			
624	390383	Crank—Bell		Note:	63709 Guide—Intake Valve			
	Note:	222476 Crank—Bell			See Repair Instruction Manual.			
		Used on Type No. 0215.	883	270918	Gasket—Muffler			
629	261094	Spring—Throttle Return	948	398661	Harness—Wire			
634	271853	Washer—Throttle Shaft (Foam)	949	396580	Guard—Rewind Starter			
	Note:	270167 Washer—Throttle Shaft (Felt)	949A	280680	Guard—Rewind Starter			
634A	270382	Washer (Foam)	951	223286	Lever—Choke			
			978	271736	Gasket—Oil Switch			
			979	398194	Cover—Oil Gard® Hole			

