

132200 to 132299

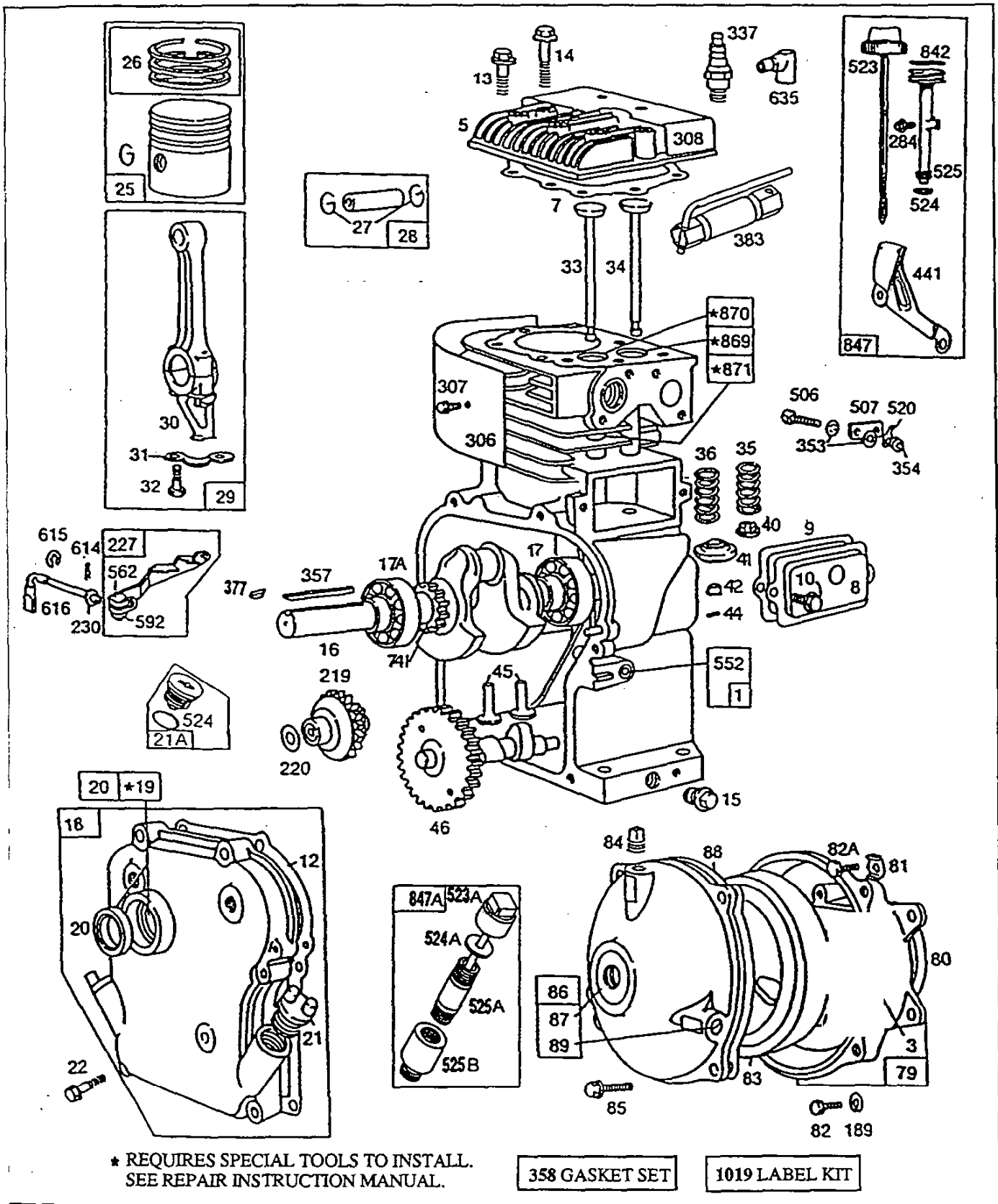
Illustrated Parts List Industrial/Commercial Model Series 132200 to 132299

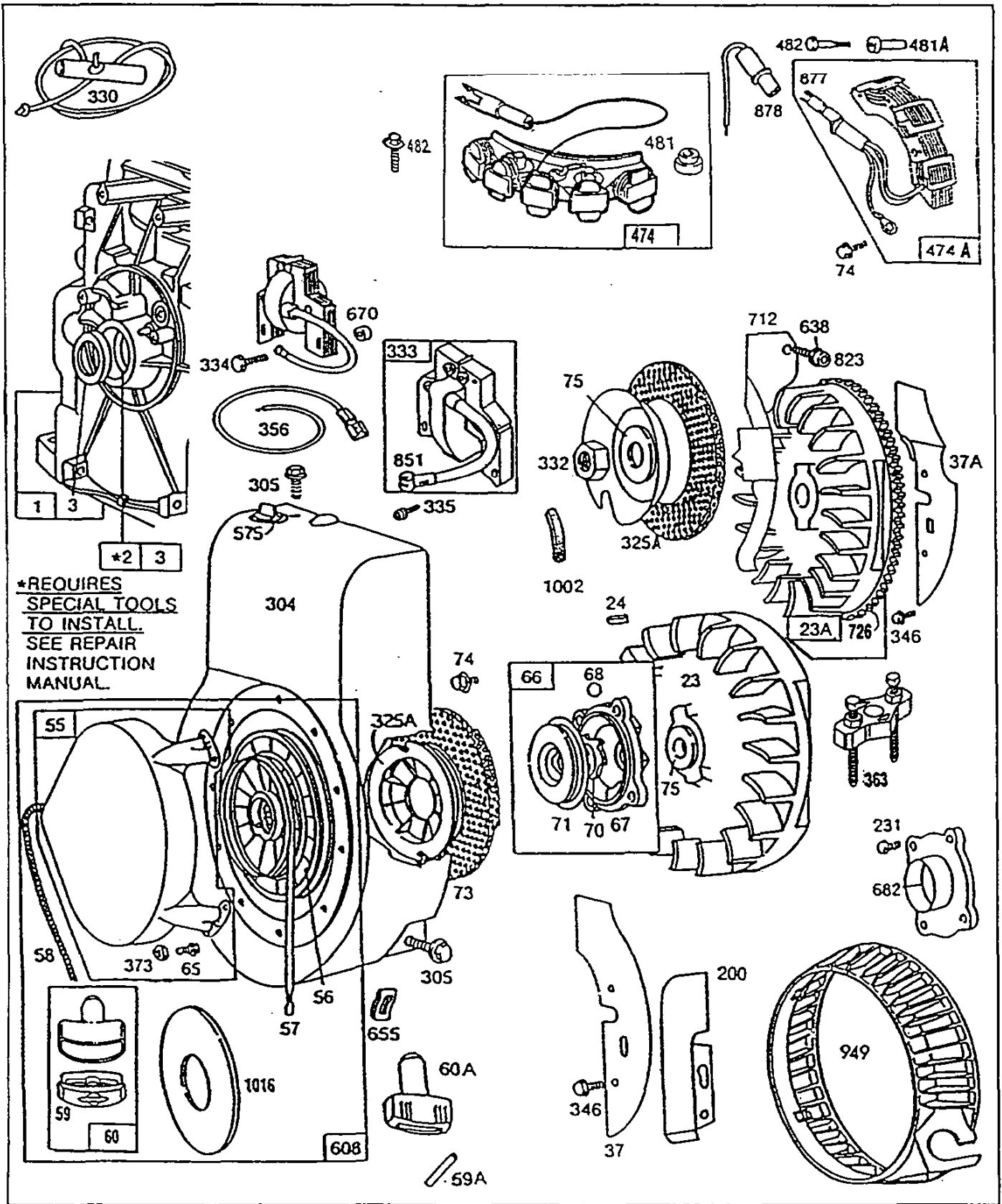
TYPE NUMBERS
0301 through 0303
0311 through 0410
0415 through 0453
2224 through 2266
4001 through 4027
4035 through 4040
4049 through 4051
4060 through 4066
4070 through 4072
4090, 4091

TO FIND THE CORRECT NUMBER OF THE PART YOU NEED: FOLLOW THE INSTRUCTIONS BELOW

- A. Refer to Engine Model, Type and Code Number that is stamped on the blower housing of engine. Engine type numbers such as 0123 01 are listed only as 0123 in most instances. The two digits (01 or 02, etc.) to the right of the space may be required for more accurate parts identification in some instances. Select the Illustrated Parts List covering the correct Model Series and Type Number.
- B. Refer to the illustrations and compare the original part with illustration. The number next to the illustration is the Reference Number. Assemblies include all parts shown in frames. All parts shown in assembly frames having individual reference numbers can be purchased separately.
- C. After the Reference Number has been identified, refer to the Numerical text, where Reference and Primary Part Number are listed. **THE PRIMARY PART IS USED ON ALL TYPE NUMBERS EXCEPT THOSE TYPE NUMBERS UNDER "NOTE."**
- D. If a "Note" appears below the Primary Part Number, it means that this part differs from the Primary Part for certain types. If your Type number is listed under "Note," order the part referred to at the "Note."
- E. If your Engine Type Number does not appear after any part number listed under "Note," use the Primary Part Number.
- F. For Engine Type Numbers not covered by this book, check other Parts Lists having the same engine model or contact your source of supply.

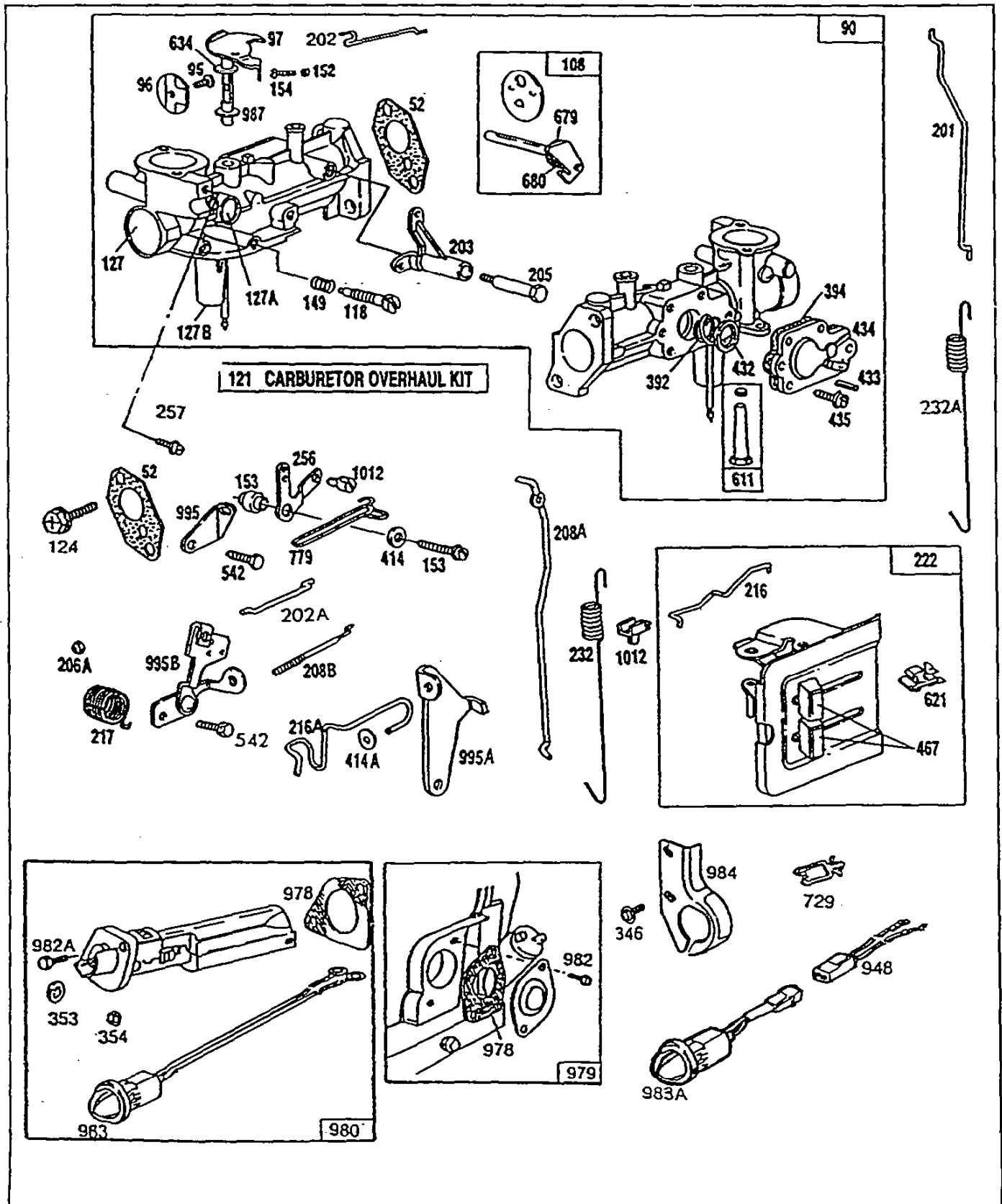
132200 to 132299

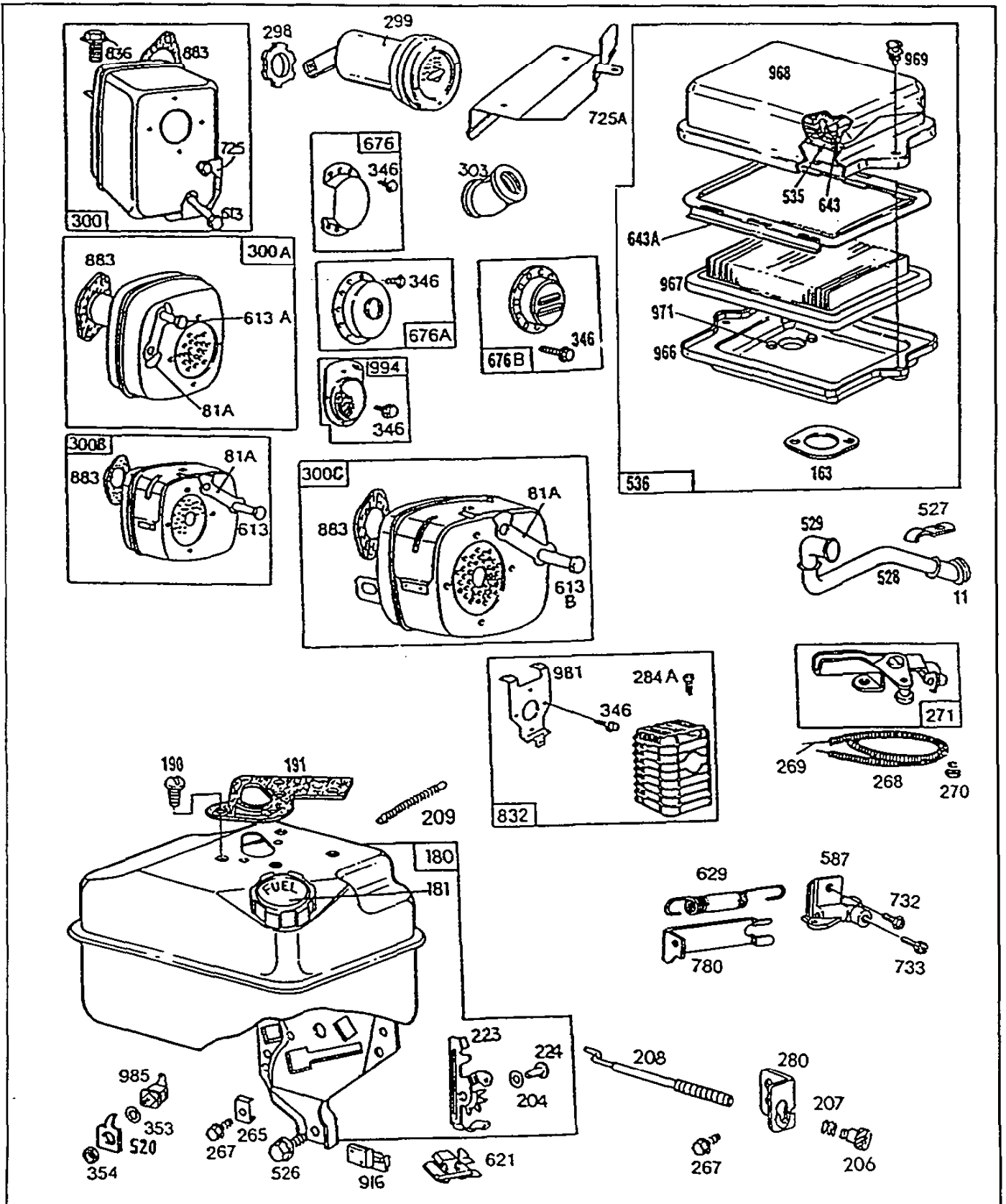




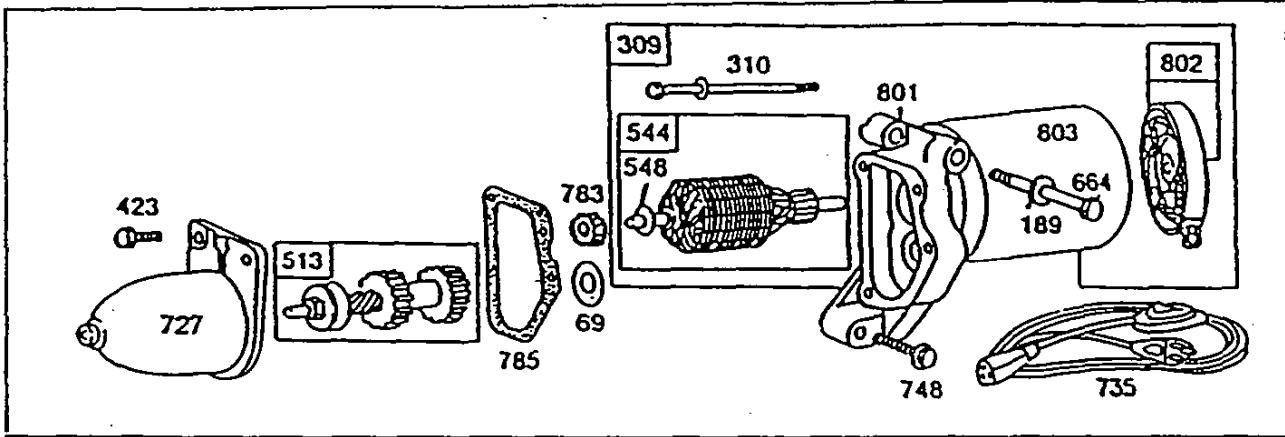
***REQUIRES
SPECIAL TOOLS
TO INSTALL.
SEE REPAIR
INSTRUCTION
MANUAL.**

132200 to 132299





132200 to 132299



Reference Number	309	513	544	802	803
Starter Motor Mfr.	Motor	Drive Assembly	Armature Assembly	End Cap Assembly Commutator	Housing Assembly
American					
Bosch					
12V	390551*	391029	390467	390465	390468
120V	393842**	391029	-	-	-

*Uses #92813 Lockwasher and # 231082 Hex Nut

**Includes Entire Motor and Drive Assembly

Reference Numbers									
69	310	423	548	664	727	748	783	785	801
Washer	Motor Bolt	Sem. Screw	Washer	Mtg. Screw	Drive Hsq.	Mtg. Screw	Pinion	Gasket	Mtg. Head
93676	93648	93654	93649	93358	390543	93534	230972	270718	390544

132200 to 132299

REF. NO.	PART NO.	DESCRIPTION	REF. NO.	PART NO.	DESCRIPTION	REF. NO.	PART NO.	DESCRIPTION
1	495133	Cylinder Assembly (Used After Code Date 91063000). Note: 397673 Cylinder Assy. (Used Before Code Date 91070100).			Note: 93448 Plug-Pipe (Hex Socket) 94687 Plug-Oil Drain (Magnetic)			397094 Crankshaft (Used Before Code Date 91070100). Used on Type Nos. 0302, 0319, 0332, 0352, 0379, 0373, 0389, 0403, 0419, 0432, 2224, 2249, 2255, 4001, 4009, 4015, 4021, 4024, 4027, 4049, 4063.
2	297565	Bushing Note: Requires Special Tools For Installation.	16	493290	Crankshaft (Used After Code Date 91063000). 397092 Crankshaft (Used Before Code Date 91070100).			397102 Crankshaft (Used After Code Date 91063000). 397101 Crankshaft (Used Before Code Date 91070100). Used on Type Nos. 0339, 0345, 0364, 0367, 0386, 0387, 0452, 4008, 4071.
3	*299819	Seal-Oil			Note: To Replace Crankshaft Gear Pin, Order Part No. 230978.			
5	211542	Head-Cylinder						
7	*272157	Gasket-Cylinder Head						
8	294178	Breather Assembly						
9	*27549	Gasket-Breather						
10	94621	Screw-Breather Mtg.						
11	66578	Grommet						
12	*270080	Gasket-Crankcase (.015" Thick, Standard)			261227 Crankshaft (Used After Code Date 91063000). 397099 Crankshaft (Used Before Code Date 91070100). Used on Type Nos. 0361, 2250, 4020, 4050.			492088 Crankshaft (Used After Code Date 91063000). 397084 Crankshaft (Used Before Code Date 91070100). Used on Type Nos. 0303, 0340, 0356, 0368, 0372, 0396, 0434, 4019.
	*270125	Gasket-Crankcase (.005" Thick)						
	*270126	Gasket-Crankcase (.009" Thick)						
13	94221	Screw-Cylinder Head (2-3/32" Long) Note: 93583 Stud-Cylinder Head 22963 Washer Used on Type Nos. 0312, 0314, 0322, 0359, 0360, 0366, 0369, 0428, 0430, 0439, 0440, 0441, 0448, 0450, 0453, 2260, 4002, 4003, 4005, 4006, 4007, 4008, 4013, 4015, 4016, 4017, 4019, 4020, 4021, 4024, 4027, 4035, 4036, 4038, 4039, 4049, 4050, 4051, 4060, 4066, 4090, 4091.			396820 Crankshaft Used on Type No. 4017. 397087 Crankshaft (Used After Code Date 91063000). 492089 Crankshaft (Used Before Code Date 91070100). Used on Type Nos. 0312, 0315, 0317, 0324, 0330, 0335, 0337, 0346, 0355, 0375, 0377, 0402, 0406, 0422, 0427, 0433, 2230, 2235, 2253, 4006, 4011, 4035, 4062, 4070, 4072, 4091.			492090 Crankshaft (Used After Code Date 91063000). 397090 Crankshaft (Used Before Code Date 91070100). Used on Type Nos. 0321, 0325, 0328, 0336, 0341, 0350, 0351, 0354, 0357, 0363, 0365, 0374, 0380, 0388, 0391, 0398, 0401, 0404, 0405, 0407, 0415, 0416, 0423, 0431, 0437, 0441, 0442, 0448, 2238, 2239,
14	93369	Screw-Cylinder Head (2-15/32" Long) Note: 93583 Stud-Cylinder Head 22963 Washer Used on Type Nos. 0312, 0314, 0322.						
15	94387	Plug-Oil Drain (Square Head)			397088 Crankshaft Used on Type Nos. 0329, 0384. 397095 Crankshaft (Used After Code Date 91063000).			

* Included in Gasket Set-Part No. 397145.

• Included in Carburetor Kit-Part No. 494624.

132200 to 132299

REF. NO.	PART NO.	DESCRIPTION	REF. NO.	PART NO.	DESCRIPTION	REF. NO.	PART NO.	DESCRIPTION
		2256, 4007, 4014, 4038, 4061.			493914 Cover-Crankcase Used on Type Nos. 0303, 0340, 0356, 0368, 0396, 0424, 0434, 4019.			PISTON RING SETS
		492926 Crankshaft (Used After Code Date 91063000).			493916 Cover-Crankcase Used on Model 132212, 132251, and 132252 Series Engines Except as Listed Under 392778 .	26	399067	Ring Set (Std.)
		398318 Crankshaft (Used Before Code Date 91070100). Used on Type Nos. 0359, 0362, 0440, 0450, 0453, 2260, 4060.	19	297603	Bushing Note: Requires Special Tools For Installation.		399014	Ring Set (.010" O.S.)
		494035 Crankshaft (Used After Code Date 91063000).	20	393812	Seal-Oil Note: 294606 Seal-Oil (Crankshaft) and 391484 Seal-Oil (Auxiliary P.T.O. Shaft) Used on Type Nos. 0303, 0340, 0356, 0368, 0396, 0424, 0434, 4019.	27	26026	Lock-Piston Pin
		493980 Crankshaft (Used Before Code Date 91070100). Used on Type Nos. 0417, 0425, 0426, 0436, 0443.			298504 Seal-Oil Used on Type Nos. 0359, 0362, 0372, 0428, 0430, 0440, 0450, 0453, 2260, 4060.	28	298909	Pin-Piston (Standard)
		494071 Crankshaft (Used After Code Date 91063000).			495330 Seal-Oil Used on Type Nos. 0417, 0425, 0426, 0436, 0443.		298908	Pin-Piston (.005" O.S.)
		494134 Crankshaft (Used Before Code Date 91070100). Used on Type No. 0424.	21	66768	Plug-Oil Fill	29	299430	Rod-Connecting Note: For Connecting Rod With .020" Undersize Crankpin Bore-Order No. 390459 .
		494413 Crankshaft (Used After Code Date 91063000).	21A	399195	Plug-Oil Fill (For High Oil Fill Hole)	30	221890	Dipper-Connecting Rod
		494391 Crankshaft (Used Before Code Date 91070100). Used on Type Nos. 0428, 0430.	22	94607	Screw-Hex. Head	31	221876	Lock-Screw Head
17	99157	Bearing-Ball (Magneto Side)	23	297229	Flywheel	32	92296	Screw-Connecting Rod
17A	99158	Bearing-Ball (P.T.O. Side)	23A	390509	Flywheel	33	262464	Valve-Exhaust (Used After Code Date 90051300).
18	493610	Cover-Crankcase Note: 392778 Cover-Crankcase Used on Type Nos. 0417, 0425, 0426, 0436, 0440, 0443.	24	222698	Key-Flywheel			494191 Valve-Exhaust (Used Before Code Date 90051400).
			25	393819	Piston Assembly (Standard)			Note: 211119 Valve-Exhaust Used on Type Nos. 0320, 0323, 0331, 0332, 0337, 0342, 0350, 0355, 0357, 0367, 0377, 0378, 0379, 0383, 0387, 0393, 0396, 0399, 0401, 0406, 0407, 0415, 0416, 0417, 0423, 0424, 0425, 0427, 0429, 0433, 0435, 0443, 0444, 0452, 2253, 2254, 2255, 4010, 4011, 4014, 4015, 4016, 4019, 4022, 4026, 4027, 4040, 4061, 4062, 4063, 4064, 4065, 4070, 4071.
					393820 Piston Assembly (.010" O.S.)	34	261044	Valve-Intake
					393821 Piston Assembly (.020" O.S.)	35	260552	Spring-Valve (Intake)
					393822 Piston Assembly (.030" O.S.)	36	262750	Spring-Valve (Exhaust) (Used After Code Date

* Included in Gasket Set-Part No. 397145.

• Included in Carburetor Kit-Part No. 494624.

132200 to 132299

REF. NO.	PART NO.	DESCRIPTION	REF. NO.	PART NO.	DESCRIPTION	REF. NO.	PART NO.	DESCRIPTION
		90051300).			2255, 4010, 4011,			Note: 93758 Screw-Sem
		26826 Spring-Valve			4014, 4015, 4016,			Used on Type Nos.
		(Used Before Code			4019, 4022, 4026,			0312, 0314, 0315,
		Date 90051400).			4027, 4040, 4061,			0325, 0340, 0348,
		Note: 26478 Spring-Valve			4062, 4063, 4064,			0358, 0361, 0392,
		Used on Type Nos.			4065, 4070, 4071.			0402, 0409, 0417,
		0320, 0323, 0331,	42	230127	Retainer-Spring			0421, 0423, 0425,
		0332, 0337, 0342,			(Used Before Code			0443, 0445, 0448,
		0350, 0355, 0357,			Date 90051400).			2250, 4023, 4026.
		0367, 0377, 0378,	44	230126	Pin-Valve Spring Ret.	75	224061	Washer-Flywheel
		0379, 0383, 0387,			(Used Before Code	79	290779	Case Assembly-Gear
		0393, 0396, 0399,			Date 90051400).	80	27667	Gasket-Gear Case
		0401, 0406, 0407,	45	260642	Tappet-Valve	81	220234	Lock-Screw
		0415, 0416, 0417,	46	212733	Gear-Cam	81A	222263	Lock-Screw
		0423, 0424, 0425,			Note: 211284 Gear-Cam	82	91541	Screw-Cap, Hex. Hd.
		0427, 0429, 0433,			Used on Type Nos.			(7/8" Long)
		0435, 0443, 0444,			0303, 0340, 0356,	82A	92279	Screw-Cap, Hex. Hd.
		0452, 2253, 2254,			0368, 0396, 0424,			(1-1/2" Long)
		2255, 4010, 4011,			4019.	83	211293	Shaft and Gear-Drive
		4014, 4015, 4016,			212777 Gear-Cam	84	92617	Plug-Breather
		4019, 4022, 4026,			Used on Type No.	85	92747	Screw-Gear Cover
		4027, 4040, 4061,			0434.	86	291730	Cover Assy.-Gear
		4062, 4063, 4064,	52	★271936	Gasket-Carb. Mtg. (2)	87	19011	Seal-Oil
		4065, 4070, 4071.	55	299431	Housing-Rewind	88	27313	Gasket-Case Cover
					Starter	89	93448	Plug-Oil Drain
37	222443	Guard-Flywheel	56	295871	Pulley-Starter	90	492611	Carburetor
37A	222578	Guard-Flywheel			(Includes 63" Long	95	93499	Screw-Sem
		(Used on Engines With			Rope)	96	223793	Valve-Throttle
		Electric Starters).			If Longer Rope is	97	490048	Shaft-Throttle
40	93312	Retainer-Spring			Required, Order Rope	108	491177	Valve-Choke
		(Intake)			No. 66894 and Cut to	118	231533	Valve-Needle
41	491442	Retainer-Valve			Length.	121	494624	Carburetor Kit
		(Exhaust)	57	490179	Spring-Rewind Starter	124	93357	Screw-Hex. Head
		(Used After Code Date	58	66884	Rope-Starter	127	220352	Plug-Welch
		90051300).			(63" Long)	127A	223789	Plug-Welch
		292259 Retainer-Valve			If Longer Rope is	127B	223472	Plug-Welch
		(Used Before Code			Required, Order Rope			(Used After Code Date
		Date 90051400).			No. 66894 and Cut to			87011100).
		Note: 93312 Retainer-Valve			Length.			Note: 223790 Plug-Welch
		Used on Type Nos.	59	490653	Insert-Starter Handle			(Used Before Code
		0320, 0323, 0331,	59A	230228	Pin-Starter Grip			Date 87011200).
		0332, 0337, 0342,	60	490652	Grip-Starter Rope	149	26336	Spring-Needle Valve
		0350, 0355, 0357,	60A	66728	Grip-Starter Rope	152	260575	Spring-Throttle Adj.
		0367, 0377, 0378,	65	94063	Screw-Housing Mtg.	153	490589	Screw and Collar
		0379, 0383, 0387,	66	399671	Clutch-Starter	154	93527	Screw-Round Head
		0393, 0396, 0399,	67	394897	Housing-Clutch	163	271935	Gasket-Air Cleaner
		0401, 0406, 0407,	68	63770	Ball-Clutch	180	492927	Tank-Fuel
		0415, 0416, 0417,	70	298799	Ratchet-Clutch	181	490075	Cap-Fuel Tank
		0423, 0424, 0425,	71	394506	Washer-Retainer	189	90366	Washer-Lock
		0427, 0429, 0433,	73	221923	Screen-Rotating	190	94094	Screw-Sem
		0435, 0443, 0444,	74	94062	Screw-Sem	191	★272410	Gasket-Tank Mounting
		0452, 2253, 2254,						

★ Included in Gasket Set-
Part No. 397145.

● Included in Carburetor Kit-
Part No. 494624.

132200 to 132299

REF. NO.	PART NO.	DESCRIPTION	REF. NO.	PART NO.	DESCRIPTION	REF. NO.	PART NO.	DESCRIPTION
200	223886	Guide-Air	219	494845	Gear-Governor (Used After Code Date 91060900).	300	396001	Muffler-Exhaust (Lo-Tone)
201	262280	Link				300A	493936	Muffler-Exhaust
202	262270	Link			Note: 391737 Gear-Gov. (Used Before Code Date 91061000).	300B	390918	Muffler-Exhaust
202A	262470	Link				300C	391313	Muffler-Exhaust
203	280720	Bell Crank						Note: 391232 Guard-Muffler Uses:
204	222962	Bushing-Lever (Flat)	220	221551	Washer-Thrust			94153 Screw (Guard and Retainer Mounting) (Used After Code Date 88090200).
205	231520	Screw-Shoulder	222	490649	Bracket-Control			93415 Screw (Guard and Retainer Mounting) (Used Before Code Date 88090300).
206	231266	Nut-Control Rod	223	223455	Lever-Gov. Control			93606 Screw (Guard to Muffler Mounting) 222379 Retainer-Muffler (Used Before Code Date 88090300).
206A	94081	Stopnut-Hexagon	224	93491	Rivet-Gov. Control Lever Mounting			222361 Brace-Muffler Used on Type Nos. 0358, 0418, 0419, 4071, 4090.
207	26855	Spring-Control Rod	227	490374	Lever Assy.-Governor			303 94089 Elbow-Exhaust, 45°
208	262323	Rod-Control	230	222450	Washer-Gov. Lever			304 490341 Housing-Blower Note: 490169 Housing-Blower Used on Type Nos. 0312, 0314, 0315, 0325, 0337, 0340, 0348, 0352, 0353, 0358, 0385, 0392, 0402, 0409, 0417, 0421, 0423, 0425, 0443, 0445, 0448, 4023, 4026.
208A	262279	Rod-Control	231	94238	Screw-Sem			491095 Housing-Blower Used on Type Nos. 0361, 0424, 0428, 0430, 2250, 4016, 4017, 4020, 4050, 4051.
208B	262321	Rod-Control	232	262310	Spring-Link			305 94786 Screw-Sem
209	262282	Spring-Governor	232A	262288	Spring-Link			306 221511 Shield-Cylinder
	Note: 262283 Spring-Gov. Used on Type Nos. 0334, 0358, 0360, 0372, 0397, 0429, 0435, 0444, 0450, 4016, 4039.		256	223813	Crank-Bell			307 93758 Screw-Cylinder Shield
	262284 Spring-Gov. Used on Type Nos. 0319, 0320, 4001, 4020, 4051.		257	93543	Screw-Hex. Hd. Sem			308 221512 Cover-Cylinder Head
	262285 Spring-Gov. Used on Type Nos. 0325, 0351, 0374, 0405, 0417, 0423, 0425, 0426, 0431, 0436, 0443, 2238, 2239, 4038.		265	221535	Clamp-Casing			
	262290 Spring-Gov. Used on Type Nos. 0321, 0328, 0336, 0341, 0350, 0354, 0357, 0363, 0365, 0380, 0388, 0391, 0398, 0401, 0404, 0407, 0409, 0410, 0415, 0416, 0437, 0441, 0442, 0448, 2256, 4007, 4014, 4017, 4061.		267	93496	Screw-Sem			
			268	66986	Casing-Wire (48" Long) Note: If Longer Casing is Needed, Specify Length in Inches; If a Shorter Casing is Needed, Order No. 66986 and Cut to Required Length.			
			269	26099	Wire-Control (54" Long) Note: If Longer Wire is Needed, Specify Length in Inches; If Shorter Wire is Needed, Order No. 26099 and Cut to Required Length.			
			270	63426	Locknut-Casing			
			271	290568	Lever-Control			
			280	223798	Bracket-Rod			
			284	94620	Screw-Hex. Head			
			284A	93572	Screw-Self Tapping			
			298	261409	Locknut-Muffler			
			299	393368	Muffler-Exhaust Note: 393010 Muffler-Exhaust (Round Lo-Tone) Uses: 223327 Bracket-Muffler Used on Type No. 0376.			
216	262359	Link (Used After Code Date 87030100.) Note: 262274 Link (Used Before Code Date 87030200.)						
216A	262275	Link						
217	262281	Spring-Link						

* Included in Gasket Set-
Part No. 397145.

• Included in Carburetor Kit-
Part No. 494624.

132200 to 132299

REF. NO.	PART NO.	DESCRIPTION	REF. NO.	PART NO.	DESCRIPTION	REF. NO.	PART NO.	DESCRIPTION	
309		Motor-Starter See Chart on Illustrated Pages.	481A	230970	Bushing-Stator (Used Before Code Date 91041500).	655	222598	Anchor-Spring	
325	280457	Pulley-Starter	482	93639	Screw-Sem	670	261065	Spacer-Armature	
325A	299421	Pulley-Starter	506	90200	Screw-Machine Fil. Hd.	676	393757	Deflector-Muffler (Side Outlet)	
330	69932	Rope-Starter	507	66895	Insulator	676A	395700	Deflector-Muffler (Direct Outlet)	
332	92284	Nut-Flywheel	520	93722	Terminal	676B	393758	Deflector-Muffler (Louvered Outlet)	
333	397358	Armature-Magneto	523	494416	Cap-Oil Fill (Used After Code Date 90102800).	679	270382	Washer-Foam	
334	93613	Screw-Sem		Note:	492249	Cap-Oil Fill (Used Before Code Date 90102900).	680	221839	Washer-Brass
335	93414	Screw-Sem	523A	297357	Cap-Oil Fill	682	211516	Shield-Clutch	
337	492167	Plug-Spark (1-7/8" High, 48 mm.) Note: 293918 Plug-Spark (1-1/2" High, 38 mm.) (Resistor Type) 298809 Plug-Spark (1-1/2" High, 38 mm.) 802592 Plug-Spark (1-7/8" High, 48 mm.) (Resistor Type)	524	271485	Seal-Oil Filler Tube	712	223140	Guard-Flywheel	
346	93705	Screw-Sem	524A	65304	Gasket-Oil Filler Cap	725	223303	Shield-Heat	
353	92791	Washer-Lock	525	280578	Tube-Oil Filler (Used After Code Date 90102800).	725A	223867	Shield-Heat	
354	90576	Nut-Hex.		Note:	280508	Tube-Oil Filler (Used Before Code Date 90102900).	726	494548	Gear-Ring (Includes Mtg. Hardware)
356	398808	Wire-Stop	525A	91258	Nipple-Oil Filler	729	280590	Clip-Wire	
357	91539	Key	525B	394884	Adapter-Oil Filler Pipe	732	94414	Screw-Hex. Head	
358	397145	Gasket Set	526	94409	Screw-Sem	733	94415	Screw-Hex. Head	
363	19069	Flywheel Puller	527	223786	Clamp-Tube	735	390900	Cord-Starter	
373	92987	Nut-Hex.	528	231550	Tube-Breather	741	261696	Gear-Timing (Plain Bearing) Note: 262060 Gear-Timing (Ball Bearing)	
377	93065	Key-Woodruff (#6 Key) Note: 94425 Key-Woodruff (#5 Key)	529	67838	Grommet	779	262276	Link-Bell Crank	
383	89838	Wrench-Spark Plug	535	271933	Filter-Air	780	224085	Anchor-Spring	
392	262328	Spring-Diaphragm	536	494279	Cleaner-Air	823	93712	Screw-Socket Head	
394	270026	Diaphragm-Carburetor	542	93572	Screw-Self Tap	832	490534	Guard-Muffler	
414	220982	Washer	552	231079	Bushing-Gov. Crank	836	93559	Screw-Hex. Head	
414A	221198	Washer	562	92613	Bolt-Governor Lever	842	270920	Seal-Oil Filler Tube	
432	221377	Cap-Spring	587	213474	Clamp-Cable	847	494417	Tube and Dipstick Ass. (Used After Code Date 90102800).	
433	93265	Pin-Diaphragm Cover	592	231082	Nut-Hex.		Note:	493367 Tube and Dipstick Assy. (Used Before Code Date 90102900).	
434	210959	Cover-Diaphragm	608	390463	Starter-Rewind	847A	493955	Tube and Dipstick Assy.	
435	93141	Screw-Sem	611	391813	Tube-Pick-up	851	221798	Terminal-Cable	
441	224240	Bracket-Oil Fill	613	94054	Screw-Shoulder Muffler	869	211787	Seat-Intake Valve (Standard)	
467	280715	Knob	613A	93935	Screw-Hex. Head	870	211436	Seat-Exhaust Valve (Standard)	
474	494254	Alternator (Used After Code Date 91041400).	613B	94042	Screw-Muffler	871	211436	Seat-Exhaust Valve (Standard)	
474A	494254	Alternator (Used Before Code Date 91041500).	614	93306	Pin-Cotter	871	262001	Guide-Exhaust Valve Note: 63709 Guide-Intake Valve See Repair Instruction Manual.	
481	231767	Bushing-Stator (Used After Code Date 91041400).	615	93307	Retainer-E-Ring	877	394251	Wire-Alternator	
			616	231077	Crank-Governor	878	393422	Harness-Alternator	
			621	396847	Switch-Stop				
			629	261137	Spring				
			634	271853	Washer-Throttle Shaft (Foam)				
			635	66538	Elbow-Spark Plug				
			638	93713	Lockwasher				
			643	280737	Retainer-Air Cleaner				
			643A	280726	Retainer-Air Cleaner				

* Included in Gasket Set-Part No. 397145.

• Included in Carburetor Kit-Part No. 494624.

132200 to 132299

REF. NO.	PART NO.	DESCRIPTION	REF. NO.	PART NO.	DESCRIPTION	REF. NO.	PART NO.	DESCRIPTION
883	★272309	Gasket-Muffler	971	94018	Screw-Hex. Hd.	985	398525	Insulator
916	280321	Rack-Governor Gear	978	★271736	Gasket-Cover	987	398970	Seal-Throttle Shaft
	Note: 280324	Rack-Governor Gear	979	494807	Cover-Oil Gard®	994	399541	Arrester-Spark
		Used on Type Nos. 0361, 0385, 0446, 4020.	980	398182	Switch-Oil Gard®	995	223887	Bracket-Control Lever
948	398661	Harness-Wire	981	223373	Bracket-Muffler Guard	995A	223814	Bracket-Link
949	280680	Guard-Rewind Starter	982	94658	Screw-Hex. Head	995B	491577	Bracket-Link
966	492797	Base-Air Cleaner	982A	94657	Screw-Hex. Head	1002	280783	Trim Strip (Blower Housing)
967	491588	Filter-Air	983	490489	Light-Indicator			
968	223765	Cover-Air Cleaner			Uses:	1012	490507	Retainer-Link
969	490073	Screw-Air Cleaner (Includes Grommet)			280275 Cable Tie	1016	490817	Spacer
			983A	398660	Light-Indicator	1019	491102	Label Kit
			984	223773	Bracket-Light			

★ Included in Gasket Set-Part No. 397145.

● Included in Carburetor Kit-Part No. 494624.