

132400 to 132499

Illustrated Parts List Industrial/Commercial Model Series 132400 to 132499

TYPE NUMBERS

0110
0115 through 0117
0121
0130 through 0136
0200 through 0268
2035 through 2038
2049, 2080, 2135,
2136, 2138, 2149, 2181
4001 through 4013
4035 through 4039
and 4049

TO FIND

THE CORRECT NUMBER OF THE PART YOU NEED: FOLLOW THE INSTRUCTIONS BELOW

- A. Refer to the Engine Model, Type and Code Number that is stamped on the blower housing of engine. Engine type numbers such as 0123 01 are listed only as 0123 in most instances. The two digits (01 or 02, etc.) to the right of the space may be required for more accurate parts identification in some instances. Select the Illustrated Parts List covering the correct Model Series and Type Number.
- B. Refer to the illustrations and compare the original part with illustration. The number next to the illustration is the Reference Number. Assemblies include all parts shown in frames. All parts shown in assembly frames having individual reference numbers can be purchased separately.
- C. After the Reference Number has been identified, refer to the Numerical text, where Reference and Primary Part Number are listed. **THE PRIMARY PART IS USED ON ALL TYPE NUMBERS EXCEPT THOSE TYPE NUMBERS UNDER "NOTE."**
- D. If a "Note" appears below the Primary Part Number, it means that this part differs from the Primary Part for certain types. If your Type number is listed under "Note," order the part referred to at the "Note."
- E. If your Engine Type Number does not appear after any part number listed under "Note," use the Primary Part Number.
- F. For Engine Type Numbers not covered by this book, check other Parts Lists having the same engine model or contact your source of supply.

PRINTED IN U.S.A.

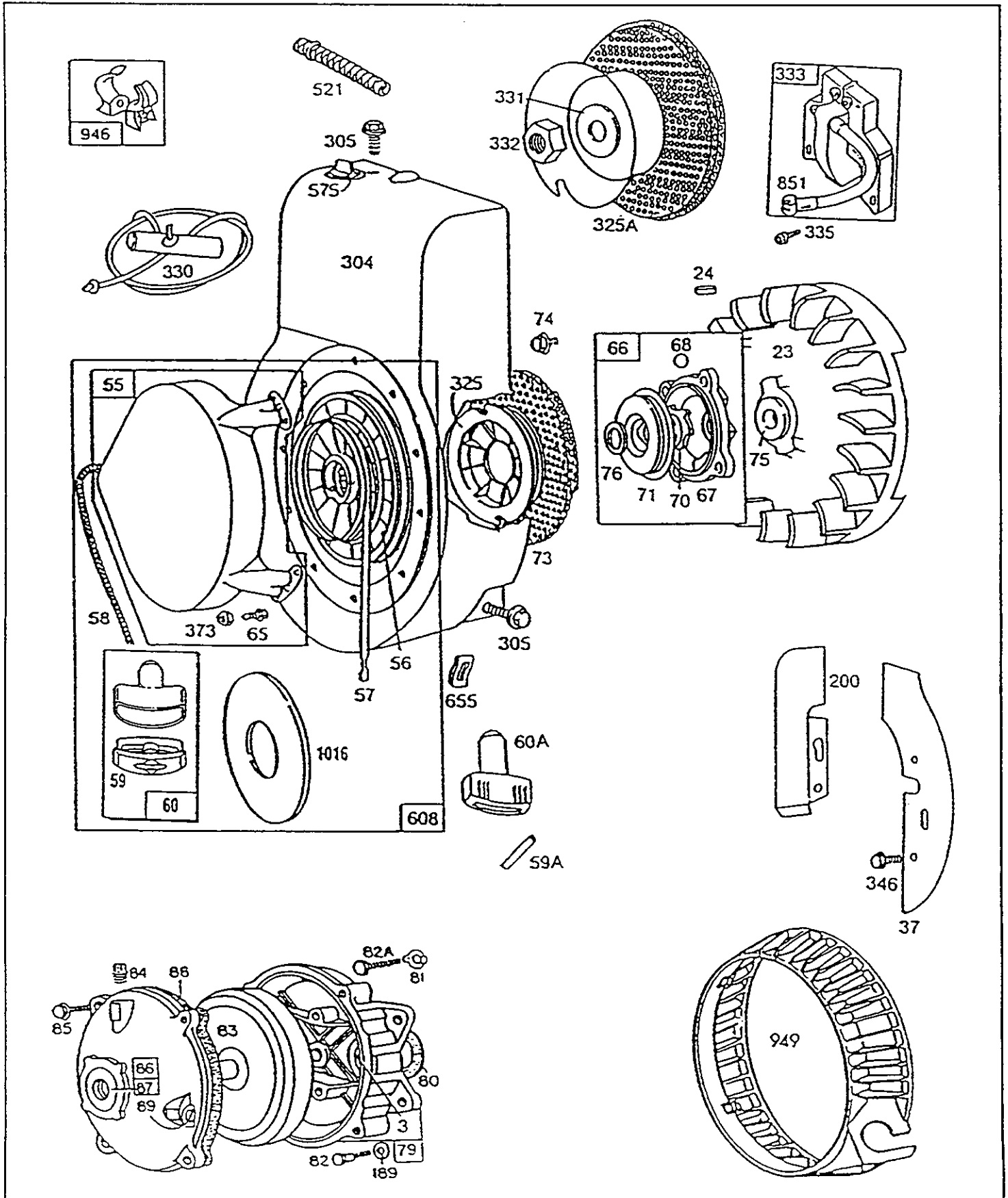
COPYRIGHT©

BRIGGS & STRATTON

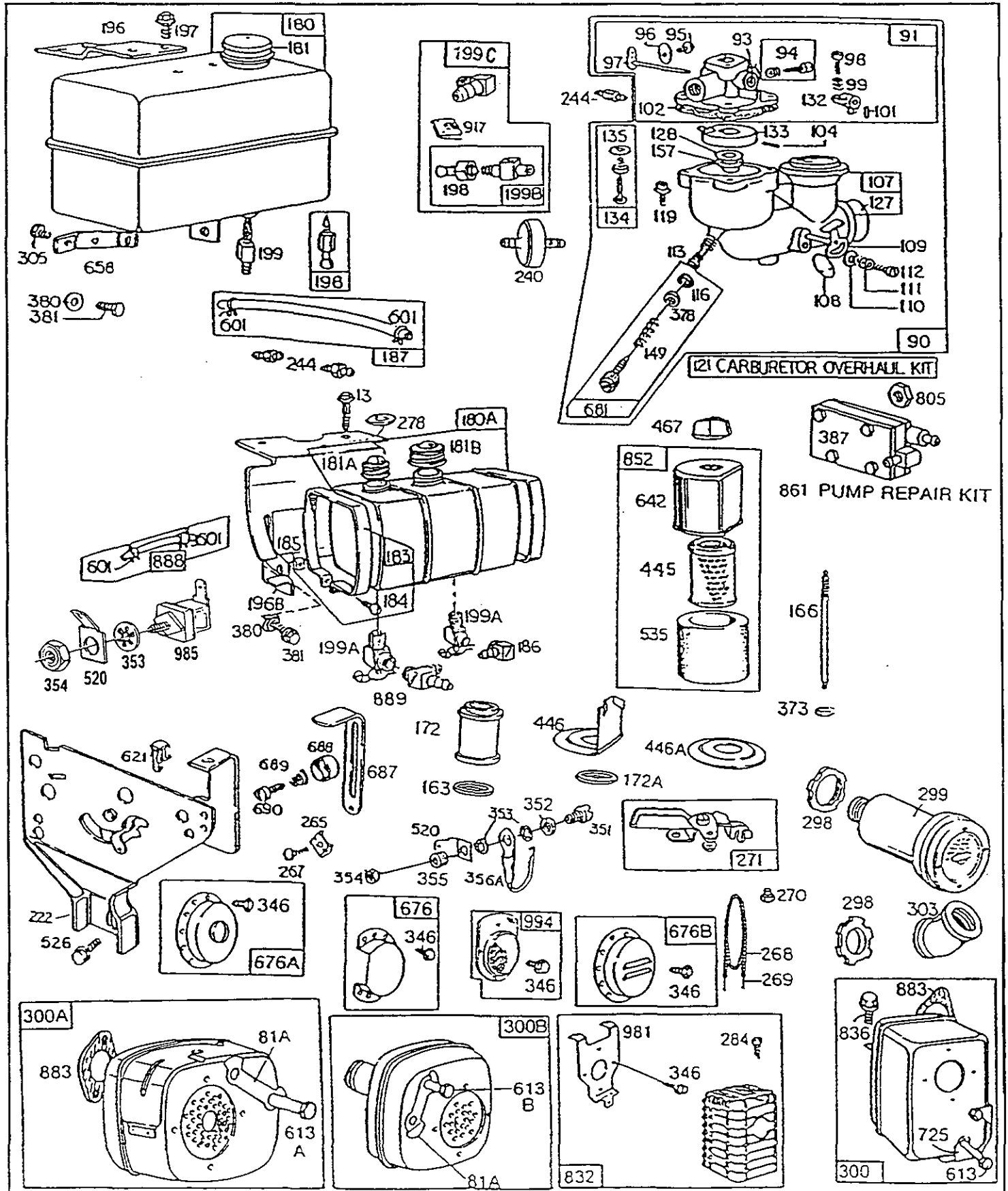
®

132400 to 132499

REF. NO.	PART NO.	DESCRIPTION	REF. NO.	PART NO.	DESCRIPTION	REF. NO.	PART NO.	DESCRIPTION
1	495133	Cylinder Assembly (Used After Code Date 91063000). ----- Note ----- 397673 Cylinder Assy. (Used Before Code Date 91070100).	11	271489	Grommet-Breather Tube			0211, 0219, 4005, 4049.
2	399268	Bushing-Cylinder	12	*270080	Gasket-Crankcase (.015" Thick, Standard)	15	91249	Plug-Pipe (1/4" Std., Square Head)
3	299819	Seal-Oil		*270125	Gasket- Crankcase (.005" Thick)			----- Note ----- 93448 Plug-Pipe (Hex.-Socket)
5	211127	Head-Cylinder (High Compression) ----- Note ----- 212367 Head-Cylinder (Kerosene-Gas) Used on Type No(s). 0133, 0134, 0215, 0223, 0226, 0241, 0243, 0259, 2080, 2181.		*270126	Gasket- Crankcase (.009" Thick)			94174 Plug-Oil Drain (Magnetic)
7	*272157	Gasket-Cylinder Head	13	93368	Screw-Cylinder Head (2-3/32" Long) ----- Note ----- 93583 Stud-Cyl. Hd. 22963 Washer Used on Type No(s). 0211, 0219, 4005, 4049.	16	493290	Crankshaft (Used After Code Date 91063000). (Used Before Code Date 91070100). ----- Note ----- To Replace Crankshaft Gear Pin- Order Part No. 230978.
8	294178	Breather-Valve Chamber						----- Used on Type No(s).
9	*27549	Gasket-Valve Cover	14	93369	Screw-Cylinder Head (2-15/32" Long) ----- Note ----- 93583 Stud-Cyl. Hd. 22963 Washer Used on Type No(s).			
10	94621	Screw-Breather Mtg.						



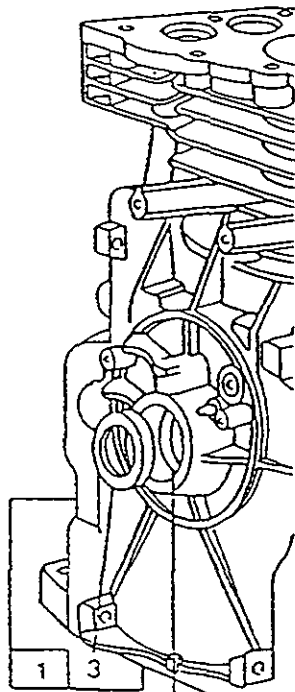
132400 to 132499



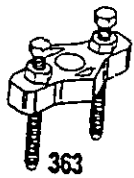
8510-4

Assemblies include all parts shown in frames.

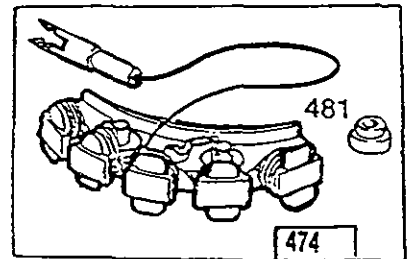
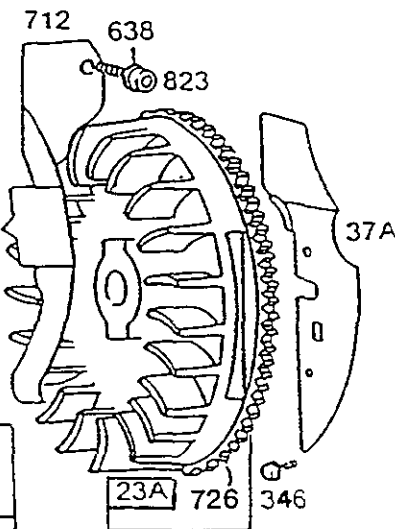
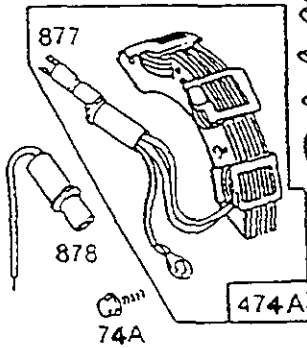
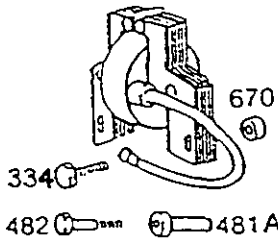
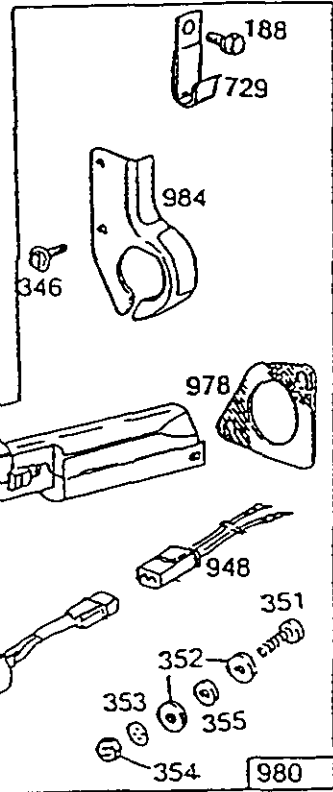
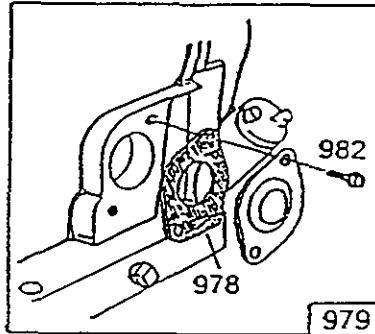
101



*2 3



***REQUIRES
SPECIAL TOOLS
TO INSTALL.
SEE REPAIR
INSTRUCTION
MANUAL.**



132400 to 132499

REF. NO.	PART NO.	DESCRIPTION	REF. NO.	PART NO.	DESCRIPTION	REF. NO.	PART NO.	DESCRIPTION
1	495133	Cylinder Assembly (Used After Code Date 91063000). Note: 397673 Cylinder Assy. (Used Before Code Date 91070100).	16	493290	Crankshaft (Used After Code Date 91063000). 493898 Crankshaft (Used Before Code Date 91070100). Note: To Replace Crankshaft Gear Pin, Order Part No. 230978.			397101 Crankshaft (Used on Type Nos. 0237, 4011).
2	399268	Bushing-Cylinder						492088 Crankshaft (Used After Code Date 91063000).
3	299819	Seal-Oil						397084 Crankshaft (Used Before Code Date 91070100). Used on Type Nos. 0117, 0222.
5	211127	Head-Cylinder (High Compression) Note: 212367 Head-Cylinder (Kerosene-Gas) Used on Type Nos. 0133, 0134, 0215, 0223, 0226, 0241, 0243, 0259, 2080, 2181.			261227 Crankshaft (Used After Code Date 91063000). 397099 Crankshaft (Used Before Code Date 91070100). Used on Type Nos. 0207, 0208, 0229, 0239, 0262.			492090 Crankshaft (Used After Code Date 91063000). 397090 Crankshaft (Used Before Code Date 91070100). Used on Type Nos. 0115, 0133, 0134, 0135, 0203, 0204, 0205, 0215, 0216, 0218, 0225, 0230, 0234, 0244, 0247, 0249, 0253, 0257, 0263, 0265, 0266, 2038, 2138, 4001, 4002, 4007, 4038.
6	22963	Washer			396820 Crankshaft Used on Type No. 4013.			
7	*272157	Gasket-Cylinder Head			397087 Crankshaft (Used After Code Date 91063000). 492089 Crankshaft (Used Before Code Date 91070100). Used on Type Nos. 0121, 0132, 0200, 0223, 0226, 0228, 0231, 0238, 0241, 0243, 0268, 2035, 2080, 2135, 4003, 4008, 4035, 4037, 4039.			492926 Crankshaft (Used After Code Date 91063000). 398318 Crankshaft (Used Before Code Date 91070100). Used on Type Nos. 0224, 4006.
8	294178	Breather-Valve Chamber						
9	*27549	Gasket-Valve Cover			397095 Crankshaft (Used After Code Date 91063000). 493770 Crankshaft (Used Before Code Date 91070100). Used on Type Nos. 0116, 0211, 0219, 0242, 2049, 2149, 4005, 4049.			494035 Crankshaft (Used After Code Date 91063000). 493980 Crankshaft (Used Before Code Date 91070100). Used on Type No. 0261.
10	94621	Screw-Breather Mtg.						
11	271489	Grommet-Breather Tube						
12	*270080	Gasket-Crankcase (.015" Thick, Standard)						
	*270125	Gasket-Crankcase (.005" Thick)						
	*270126	Gasket-Crankcase- (.009" Thick)						
13	93368	Screw-Cylinder Head (2-3/32" Long) Note: 93583 Stud-Cyl. Hd. 22963 Washer Used on Type Nos. 0211, 0219, 4005, 4049.						
14	93369	Screw-Cylinder Head (2-15/32" Long) Note: 93583 Stud-Cyl. Hd. 22963 Washer Used on Type Nos. 0211, 0219, 4005, 4049.						
15	91249	Plug-Pipe, 1/4" Std., Square Head Note: 93448 Plug-Pipe (Hex.-Socket) 94174 Plug-Oil Drain (Magnetic)						
						17	99157	Bearing-Ball (Magneto Side)
						17A	99158	Bearing-Ball (P.T.O. Side)

* Included in Gasket Set-
Part No. 397145.

• Included in Carburetor Overhaul Kit-
See Ref. No. 121.

132400 to 132499

REF. NO.	PART NO.	DESCRIPTION	REF. NO.	PART NO.	DESCRIPTION	REF. NO.	PART NO.	DESCRIPTION
18	298204	Cover Assembly-Crankcase Used on Model 132431, 132432, 132436, 132437 Series Engines.	21	66768	Plug-Oil Filler	28	298909	Pin Assy.-Piston (Standard)
	298517	Cover Assembly-Crankcase Used on Model 132451, 132452 Series Engines.	21A	399195	Plug and Seal Assy. (For High Oil Fill Hole)		298908	Pin Assy.-Piston (.005" O.S.)
	398335	Cover Assy.-Crankcase Used on Model 132412 Series Engines Except as Listed Below.	22	93032	Screw-Crankcase Cover Mounting Sem	29	299430	Rod Assy.-Connecting Rod Note: For Connecting Rod With .020" Undersize Crankpin Bore-Order No. 390459.
	Note: 392778	Cover Assy.-Crankcase Used on Type No. 0261.		Note: 93656	Stud-Mounting Washer Used on Type Nos. 0130, 0227, 0260.	30	221890	Dipper-Connecting Rod
493610		Cover Assy.-Crankcase Used on Model 132432 Series Engines With High Oil Fill.	23	297229	Flywheel-Magneto	31	221876	Lock-Conn. Rod Screw
493914		Cover Assembly-Crankcase Used on Model 132492 Series Engines.	23A	390509	Flywheel Assembly	32	92296	Screw-Connecting Rod
19	297603	Bushing-Crankcase Cover Note: 398336 Bushing-Crankcase Cover Used on Model 132412 Series Engines.	24	222698	Key-Flywheel	33	262464	Valve-Exhaust (Used After code Date 90051300). 260860 Valve-Exhaust (Used Before Code Date 90051400). Note: 211119 Valve-Exhaust Uses: 26478 Spring-Exhaust Valve 93312 Retainer-Exhaust Valve Spring Used on Type Nos. 0200, 0201, 0202, 0206, 0207, 0208, 0216, 0231, 0232, 0236, 0237, 0239, 0245, 0246, 0252, 0259, 0261, 0265, 2181, 4001, 4003, 4004, 4007, 4010, 4011, 4012, 4013.
20	393812	Seal-Oil Used on Model 132431, 132432, 132437 Series Engines.	25	393819	Piston Assembly (Standard)	34	261044	Valve-Intake
	298504	Oil Seal and Spacer Used on Model 132412, 132451, 132452 Series Engines Except as Listed Below. Note: 392741 Oil Seal and Spacer Used on Type No. 0261.		393820	Piston Assembly (.010" O.S.)	35	260552	Spring-Intake Valve
	294606	Seal-Oil (Crankshaft)		393821	Piston Assembly (.020" O.S.)	36	262750	Spring-Exhaust Valve (Used After Code Date 90051300). 26826 Spring-Exhaust Valve (Used Before Code Date 90051400). Note: See Ref. 33 For Specials.
	391484	Seal-Oil (Auxiliary P.T.O. Shaft) Used on Model 132492 Series Engines.		393822	Piston Assembly (.030" O.S.) The Following Piston Ring Sets Are Used After Code Date 85042100.	37	222443	Guard-Flywheel
			26	399067	Ring Set-Piston (Standard)	37A	222578	Guard-Flywheel (Used on Engines With Electric Starters).
				399014	Ring Set-Piston (.010" O.S.)			
				399015	Ring Set-Piston (.020" O.S.)			
				399016	Ring Set-Piston (.030" O.S.) The Following Piston Ring Sets Are Used Before Code Date 85042200.			
				Note: For Chrome Piston Ring Set (Standard Size) Order Part No. 299742.				
				393835	Ring Set-Piston (Standard)			
				393836	Ring Set-Piston (.010" O.S.)			
				393837	Ring Set-Piston (.020" O.S.)			
				393838	Ring Set-Piston (.030" O.S.)			
			27	26026	Lock-Piston Pin			

★ Included in Gasket Set-Part No. 397145.

● Included in Carburetor Overhaul Kit-See Ref. No. 121.

132400 to 132499

REF. NO.	PART NO.	DESCRIPTION	REF. NO.	PART NO.	DESCRIPTION	REF. NO.	PART NO.	DESCRIPTION
40	93312	Retainer-Intake Valve Spring	56	295871	Pulley-Rewind Starter (Includes 63" Long Rope)	82	91541	Screw-Cap, Hex. Hd. (7/8" Long)
41	491442	Rotocoil Assembly (Used After Code Date 90051300).			If Longer Rope is Required, Order Rope No. 66894 and Cut to Length.	82A	92279	Screw-Cap, Hex. Hd. (1-1/2" Long)
	Note:	292259 Rotocap-Exhaust Valve (Used Before code Date 90051400).	57	490179	Spring-Rewind Starter	83	211293	Shaft and Gear-Drive
42	230127	Retainer-Exhaust Valve Rotocap (Used Before Code Date 90051400).	58	66884	Rope-Rewind Starter (63" Long)	84	92617	Plug-Breather
	Note:	224450 Retainer-Exhaust Valve (Used After Code Date 90051300).			If Longer Rope is Required, Order Rope No. 66894 and Cut to Length.	85	92747	Screw-Gear Case Mounting Sem
		23184 Retainer-Valve Spring (Used Before Code Date 90051400). Used on Type Nos. 0232, 0239, 0246, 4013.	59	490653	Insert-Starter Handle	86	291730	Cover Assy.-Gear Case
44	230126	Pin-Exhaust Valve Rotocap Retainer (Used Before Code Date 90051400).	59A	230228	Pin-Starter Grip	87	19011	Seal-Oil
	Note:	23187 Pin-Valve Spring Retainer (Used Before Code Date 90051400). Used on Type Nos. 0232, 0239, 0246, 4013.	60	490652	Handle-Rewind Starter	88	27313	Gasket-Gear Case Cover
45	260642	Tappet-Valve	60A	66728	Grip-Starter Rope	89	93448	Plug-Oil Drain
46	212733	Gear-Cam	65	94063	Screw-Stamped Steel Housing Mtg. Sem	90	393753	Carburetor Assembly
	Note:	211284 Gear-Cam Used on Type No. 0117.			Note: 93067 Screw-Hex. Head Sem			Note: 393895 Carb. Assy. (Manual Friction) (Kerosene-Gas) Used on Type Nos. 0133, 0134, 0215, 0223, 0226, 0241, 0243, 0259, 2080, 2181.
50	212358	Elbow-Intake			92987 Nut-Hex. Used on Type Nos. 0207, 0208, 0219, 4005.	91	393978	Housing Assembly-Throttle
51	*68987	Gasket-Carburetor Mtg. (Elbow to Carb.)	66	399671	Clutch Assembly-Rewind Starter	93	23230	Bushing-Throttle Shaft
52	*27355	Gasket-Carburetor Mounting	67	394897	Housing-Starter Clutch	94	•292681	Valve Assembly-Carburetor Idle
53	94442	Screw-Carburetor and Intake Elbow Mtg.	68	63770	Ball-Clutch	95	93499	Screw-Throttle Valve to Shaft Sem
55	299431	Housing-Rewind Starter	70	298799	Ratchet-Rewind Starter	96	222972	Valve-Throttle
			71	394506	Washer-Clutch Retainer	97	393827	Shaft and Lever-Throttle
			73	221923	Screen-Starter Pulley	98	91920	Screw-Machine, Fill. Hd.
			74	94062	Screw-Sem	99	•26157	Spring-Throttle Adjustment
					Note: 93490 Screw-Sem Used on Type Nos. 0207, 0208, 0211, 0219, 0224, 0227, 0253, 0261, 4005, 4006.	101	93043	Pin-Throttle Stop and Governor Shaft
			74A	93490	Screw-Sem (Ground Wire to Motor)	102	•27917	Gasket-Carburetor Body
			75	224061	Washer-Spring	104	•23114	Pin-Float Hinge
			76	68238	Washer-Ratchet Sealing	107	393979	Body Assembly-Carburetor Lower
			79	290779	Case Assembly-Gear	108	220897	Valve-Choke
			80	27667	Gasket-Gear Case	109	294874	Shaft and Lever
			81	220234	Lock-Screw	110	220899	Washer-Choke Lever
			81A	222263	Lock-Screw	111	26229	Spring-Choke Lever
						112	23270	Screw-Choke Lever

* Included in Gasket Set-Part No. 397145.

• Included in Carburetor Overhaul Kit-See Ref. No. 121.

132400 to 132499

REF. NO.	PART NO.	DESCRIPTION	REF. NO.	PART NO.	DESCRIPTION	REF. NO.	PART NO.	DESCRIPTION
113	•231428	Nozzle-Carburetor (Used After Code Date 85111900). Note: •231216 Nozzle-Carburetor (Used Before Code Date 85112000).	187	296004	Line-Fuel (Flexible) 23" Note: 393815 Line-Fuel (Flexible) 11"			Note: 494826 Plate-Gov. Control (Used After Code Date 91042800). 393785 Plate-Gov. Control (Used Before Code Date 91042900). Used on Type Nos. 0227, 0260, 0261, 4006.
116	280203	Packing-Needle Valve	188	93559	Screw-Hex. Head	227	393920	Lever Assy.-Governor
119	93347	Screw-Throttle Hsg. and Fuel Pump Body Mounting Sem	189	90366	Washer-Lock	230	222450	Washer-Governor Lever
121	398993	Carburetor Overhaul Kit (Used After Code Date 85111900). Note: 394010 Carburetor Overhaul Kit (Used Before Code Date 85112000).	196	222946	Support-Fuel Tank	240	298090	Filter-Fuel (In Fuel Pipe, Lt. Red) Note: 394358 Filter-Fuel (Natural)
			196A	222945	Support-Fuel Tank (Kerosene-Gasoline)	244	230318	Connector-Flexible Fuel Line
127	220352	Plug-Welch	197	93083	Screw-Tank Mtg. Sem	265	221535	Clamp-Casing
128	210811	Venturi-Carburetor	198	293934	Valve Assembly-Fuel Shut-Off	267	93496	Screw-Sem
132	212904	Stop-Throttle Lever	199	295896	Outlet-Fuel Tank (Includes Strainer) (For Flexible Fuel Pipe)	268	66986	Casing-Control Wire (48" Long) Note: If Longer Casing is Needed, Specify Length in Inches; If a Shorter Casing is Needed, Order No. 66986 and Cut to Required Length.
133	293477	Float-Carburetor	199A	392882	Valve-Shut-Off (Kerosene-Gasoline)	269	26099	Wire-Control (54" Long) Note: If Longer Wire is Needed, Specify Length in Inches; If Shorter Wire is Needed, Order No. 26099 and Cut to Required Length.
134	•293478	Valve and Seat-Fuel Inlet	199B	297563	Outlet-Fuel Tank	270	63426	Locknut-Control Wire Casing
135	68877	Gasket-Fuel Inlet Valve Seat	199C	399949	Outlet-Fuel Tank	271	290568	Lever Assy.-Control
149	261357	Spring-Needle Valve	200	221480	Guide-Air	278	220863	Washer (Between Support and Cyl. Hd.)
157	•27840	Gasket-Venturi	201	261589	Link-Governor Note: 260585 Spring-Governor Link Used on Type Nos. 0133, 0134, 0135, 0215, 0216, 0225, 0230, 0234, 0244, 0247, 0249, 0253, 0257, 0261, 0263, 0265, 0266, 4001, 4002, 4007, 4013, 4038.	280	223236	Strap
163	271042	Gasket-Air Cleaner (Below Spacer)	206	231266	Nut-Control Rod	284	93572	Screw-Self Tapping
166	231314	Stud-Air Cleaner	207	26855	Spring-Control Rod	284A	94419	Screw-Sem
172	280213	Spacer-Air Cleaner	208	261985	Rod-Control	298	261409	Locknut-Muffler
172A	271139	Gasket-Air Cleaner (Above Spacer)	209	261126	Spring-Governor			
180	292945	Tank Assembly-Fuel (3 Quart)	219	494845	Gear-Governor (Used After Code Date 91060900). Note: 391737 Gear-Governor (Used Before Code Date 91061000).			
180A	392911	Tank Assembly-Fuel (3 Quart) (Kerosene-Gasoline)	220	221551	Washer-Thrust			
181	392305	Cap-Fuel Tank Note: 393156 Cap-Fuel Tank (Chrome)	222	494826	Plate-Gov. Control (Used After Code Date 91063000). 393785 Plate-Gov. Control (Used Before Code Date 91070100).			
181A	392886	Cap-Fuel Tank (Small) (Kerosene-Gasoline)						
181B	392887	Cap-Fuel Tank (Large) (Kerosene-Gasoline)						
183	393181	Strap Assembly						
184	91257	Screw-Fill. Hd.						
185	90970	Nut-Square						
186	67218	Elbow, 90°						

* Included in Gasket Set-Part No. 397145.

• Included in Carburetor Overhaul Kit-See Ref. No. 121.

132400 to 132499

REF. NO.	PART NO.	DESCRIPTION	REF. NO.	PART NO.	DESCRIPTION	REF. NO.	PART NO.	DESCRIPTION
299	393368	Muffler-Exhaust (Round Lo-Tone) Note: 393010 Muffler-Exhaust Used on Type Nos. 0136, 0224, 4006, 4009.	309		Motor-Starting See Chart on Illustrated Pages For Replacement Parts	354	90576	Nut-Hex.
		393010 Muffler-Exhaust (Round Lo-Tone) Uses: 223327 Bracket-Muffler Used on Type Nos. 0222, 0233.	325	280457	Starter Pulley (For Rewind)	355	66554	Washer-Insulating
300	396001	Muffler-Exhaust	325A	299421	Starter Pulley With Screen	356	398874	Wire-Ground
300A	391313	Muffler-Exhaust	330	69932	Rope-Starter	356A	391255	Wire-Jumper
300B	393615	Muffler-Exhaust (Lo-Tone)	331	224061	Washer-Flywheel	357	91539	Key
303	94089	Elbow-Exhaust, 45°	332	92284	Nut-Flywheel	358	297615	Gasket Set
304	397719	Housing-Blower Note: 397654 Housing-Blower Used on Type No. 4013.	333	397358	Armature Group	362	291630	Shield-Spark Plug (With Stop Switch) Note: 392273 Elbow-Spark Plug Used on Type No. 0262.
		398345 Housing-Blower Used on Type Nos. 0202, 0211, 0217, 0219, 0223, 0224, 0227, 0228, 0231, 0238, 0253, 0261, 0262, 0400, 2181, 4005, 4006.	334	93613	Screw-Armature Mounting Sem (2)	363	19069	Puller-Flywheel
		399098 Housing-Blower Used on Type Nos. 0207, 0208, 0229, 0239, 0262.	335	93414	Screw-Armature Mounting Sem	373	92987	Nut-Hex.
305	93158	Screw-Blower Housing Mounting	337	492167	Plug-Spark (1-7/8" High, 48 mm.) Note: 29693 Plug-Spark (2" High, 51 mm.) 293918 Plug-Spark (1-1/2" High, 38 mm.) (Resistor Type) 298809 Plug-Spark (1-1/2" High, 38 mm.) 392588 Plug-Spark (2" High, 51 mm.) (Resistor Type) 802592 Plug-Spark (1-7/8" High, 48 mm.) (Resistor Type)	378	22032	Washer-Needle Valve Packing
306	221511	Shield-Cylinder	346	93705	Screw-Sem	380	62199	Washer-Plain
307	93490	Screw-Cylinder Shield (Used After Code Date 87020800). Note: 93042 Screw-Cylinder Shield (Used Before Code Date 87020900).	347	220884	Switch-Stop (For 1-1/2" High, 38 mm. Spark Plugs) Note: 221828 Switch-Spark Plug (Used After Code Date 90081600). 390785 Switch-Stop (Used Before Code Date 90081700). Used on Type Nos. 0227, 0260. 390785 Switch-Stop Used on Type No. 0268.	381	93158	Screw-Hex. Hd. Sem
308	221512	Cover-Cylinder Head	351	93735	Screw-Terminal	383	89838	Wrench-Spark Plug
			352	66068	Washer-Insulating	387	390765	Pump-Impulse Note: Order 394462 For Pump Repair Kit
			353	92791	Washer-Lock	441	224240	Bracket-Oil Fill
						445	396424	Cartridge-Air Cleaner
						446	395642	Base-Air Cleaner
						446A	222844	Base-Air Cleaner
						467	212706	Knob-Choke Rod
						474	494254	Stator Assy.-Alternator (Used After Code Date 91041400).
						474A	494254	Stator Assy.-Alternator (Used Before Code Date 91041500).
						481	231767	Spacer-Alternator (Used After Code Date 91041400).
						481A	230970	Bushing-Stator (Used Before Code Date 91041500).
						482	93639	Screw-Alternator Armature Mounting
						520	93722	Terminal Spade
						521	298529	Shielding-Ignition Cable

* Included in Gasket Set-Part No. 397145.

• Included in Carburetor Overhaul Kit-See Ref. No. 121.

132400 to 132499

REF. NO.	PART NO.	DESCRIPTION	REF. NO.	PART NO.	DESCRIPTION	REF. NO.	PART NO.	DESCRIPTION
523	297357	Cap-Oil Filler (With Dipstick)	658	222939	Brace-Fuel Tank	847A	494417	Tube Assy.-High Oil Fill (Used After Code Date 90102800).
523A	494416	Dipstick and Cap Assy. (Used After Code Date 90102800).	670	261065	Spacer-Armature			Note: 493367 Tube Assy.- High Oil Fill (Used Before Code Date 90102900).
		Note: 492249 Dipstick and Cap Assy. (Used Before Code Date 90102900).	676	393757	Deflector-Exhaust (Side Outlet)	851	221798	Cable Terminal-Ignition
524	65304	Gasket-Oil Filler Cap	676A	395700	Deflector-Exhaust (Direct Outlet)	852	396397	Cleaner Group-Air
524A	271485	Seal-Oil Fill Tube	676B	393758	Deflector-Exhaust	861	394462	Pump Repair Kit (Walbro)
525	91258	Nipple-Oil Filler	681	•399619	Needle Valve Assy. (Used After Code Date 85111900).	869	211787	Seat-Intake Valve (Standard)
525A	394884	Adapter-Oil Filler			•393960 Needle Valve Assembly (Used Before Code Date 85112000).	870	211436	Seat-Exhaust Valve (Cobalite®)
525B	280578	Tube-Oil Fill (Used After Code Date 90102800).			Note: 292088 Needle Valve (Kerosene-Gas)	871	262001	Guide-Exhaust Valve Note: 63709 Guide-Intake Valve
		Note: 280508 Tube-Oil Fill (Used Before Code Date 90102900).	687	298957	Slide-Friction Control	877	393854	Diode and Connector Assembly
526	94409	Screw-Control Bracket Mtg. Sem	688	221766	Cap-Friction Spring	878	393422	Alternator Harness Assembly
535	271466	Element-Air Cleaner	689	260847	Spring-Friction	883	270918	Gasket-Exhaust
552	231079	Bushing-Gov. Crank	690	90746	Screw-Machine, Fil. Hd.	888	393891	Line-Fuel (Flexible) (Short) (Kerosene-Gas)
562	92613	Bolt-Governor Lever	712	223140	Guard-Ring Gear	889	93915	Tee (Kerosene-Gas)
575	396691	Switch Assy.-Rotary	725	223303	Shield-Muffler	917	223271	Valve Handle-Fuel Shut-Off
592	231082	Nut-Hex.	726	494548	Gear-Ring (Includes Mtg. Screws)	946	396526	Rope Guide Kit
601	93053	Clamp-Fuel Pipe	729	223528	Retainer-Wire	948	398661	Harness-Wire
608	390463	Starter Assy.-Rewind	729A	280590	Clip-Snap In	949	280680	Guard-Rewind Starter
613	94054	Screw-Hex. Hd. Shoulder	741	262060	Gear-Timing (For Ball Bearing)	978	271736	Gasket-Cover
613A	94042	Screw-Muffler Mtg.			Note: 261696 Gear-Timing (For Plain Bearing)	979	494807	Cover-Oil Gard®
613B	93935	Screw-Muffler Mtg.	780	222267	Anchor-Spring Return Uses: 222268 Connector- Control Cable Used on Type No. 0233.	980	398182	Switch-Oil Gard®
614	93306	Pin-Cotter				981	223373	Bracket-Muffler Guard
615	93307	Retainer-E-Ring	805	231001	Locknut-Impulse Pump	982	94658	Screw-Oil Gard® Cover
616	231077	Crank-Governor	823	93712	Screw-Socket Head	982A	94657	Screw-Oil Gard® Mtg.
621	396847	Switch-Stop (Single Pad Mtg. Style)	832	398161	Guard-Muffler	983	398660	Light-Indicator
		Note: 297472 Switch-Stop (Two Point Mtg. Style)	836	93559	Screw-Hex. Hd.	984	223773	Bracket-Indicator Light
629	261137	Spring-Return	842	270920	Seal-Oil Fill Cap	985	398525	Insulator Assembly
635	66538	Elbow-Spark Plug	847	493955	Tube Assy.-Oil Fill	994	399541	Arrestor-Spark
638	93713	Washer-Lock				1016	490817	Spacer
642	223306	Cover-Air Cleaner				1019	491102	Label Kit
655	222598	Anchor-Spring						

* Included in Gasket Set-
Part No. 397145.

• Included in Carburetor Overhaul Kit-
See Ref. No. 121.

132400 to 132499

REF. NO.	PART NO.	DESCRIPTION	REF. NO.	PART NO.	DESCRIPTION	REF. NO.	PART NO.	DESCRIPTION
523	297357	Cap-Oil Filler (With Dipstick)	658	222939	Brace-Fuel Tank	847A	494417	Tube Assy.-High Oil Fill (Used After Code Date 90102800).
523A	494416	Dipstick and Cap Assy. (Used After Code Date 90102800).	670	261065	Spacer-Armature			Note: 493367 Tube Assy.- High Oil Fill (Used Before Code Date 90102900).
		Note: 492249 Dipstick and Cap Assy. (Used Before Code Date 90102900).	676	393757	Deflector-Exhaust (Side Outlet)	851	221798	Cable Terminal-Ignition
524	65304	Gasket-Oil Filler Cap	676A	395700	Deflector-Exhaust (Direct Outlet)	852	396397	Cleaner Group-Air
524A	271485	Seal-Oil Fill Tube	676B	393758	Deflector-Exhaust	861	394462	Pump Repair Kit (Walbro)
525	91258	Nipple-Oil Filler	681	•399619	Needle Valve Assy. (Used After Code Date 85111900).	869	211787	Seat-Intake Valve (Standard)
525A	394884	Adapter-Oil Filler			•393960 Needle Valve Assembly (Used Before Code Date 85112000).	870	211436	Seat-Exhaust Valve (Cobalite®)
525B	280578	Tube-Oil Fill (Used After Code Date 90102800).			Note: 292088 Needle Valve (Kerosene-Gas)	871	262001	Guide-Exhaust Valve Note: 63709 Guide-Intake Valve
		Note: 280508 Tube-Oil Fill (Used Before Code Date 90102900).	687	298957	Slide-Friction Control	877	393854	Diode and Connector Assembly
526	94409	Screw-Control Bracket Mtg. Sem	688	221766	Cap-Friction Spring	878	393422	Alternator Harness Assembly
535	271466	Element-Air Cleaner	689	260847	Spring-Friction	883	270918	Gasket-Exhaust
552	231079	Bushing-Gov. Crank	690	90746	Screw-Machine, Fil. Hd.	888	393891	Line-Fuel (Flexible) (Short) (Kerosene-Gas)
562	92613	Bolt-Governor Lever	712	223140	Guard-Ring Gear	889	93915	Tee (Kerosene-Gas)
575	396691	Switch Assy.-Rotary	725	223303	Shield-Muffler	917	223271	Valve Handle-Fuel Shut-Off
592	231082	Nut-Hex.	726	494548	Gear-Ring (Includes Mtg. Screws)	946	396526	Rope Guide Kit
601	93053	Clamp-Fuel Pipe	729	223528	Retainer-Wire	948	398661	Harness-Wire
608	390463	Starter Assy.-Rewind	729A	280590	Clip-Snap In	949	280680	Guard-Rewind Starter
613	94054	Screw-Hex. Hd. Shoulder	741	262060	Gear-Timing (For Ball Bearing)	978	271736	Gasket-Cover
613A	94042	Screw-Muffler Mtg.			Note: 261696 Gear-Timing (For Plain Bearing)	979	494807	Cover-Oil Gard®
613B	93935	Screw-Muffler Mtg.	780	222267	Anchor-Spring Return Uses: 222268 Connector- Control Cable Used on Type No. 0233.	980	398182	Switch-Oil Gard®
614	93306	Pin-Cotter				981	223373	Bracket-Muffler Guard
615	93307	Retainer-E-Ring				982	94658	Screw-Oil Gard® Cover
616	231077	Crank-Governor	805	231001	Locknut-Impulse Pump	982A	94657	Screw-Oil Gard® Mtg.
621	396847	Switch-Stop (Single Pad Mtg. Style)	823	93712	Screw-Socket Head	983	398660	Light-Indicator
		Note: 297472 Switch-Stop (Two Point Mtg. Style)	832	398161	Guard-Muffler	984	223773	Bracket-Indicator Light
629	261137	Spring-Return	836	93559	Screw-Hex. Hd.	985	398525	Insulator Assembly
635	66538	Elbow-Spark Plug	842	270920	Seal-Oil Fill Cap	994	399541	Arrestor-Spark
638	93713	Washer-Lock	847	493955	Tube Assy.-Oil Fill	1016	490817	Spacer
642	223306	Cover-Air Cleaner				1019	491102	Label Kit
655	222598	Anchor-Spring						

* Included in Gasket Set-
Part No. 397145.

• Included in Carburetor Overhaul Kit-
See Ref. No. 121.