

132900 to 132999

Illustrated Parts List Industrial/Commercial Model Series

132900 to 132999

Non-Compliance

Compliance

TYPE NUMBERS
0110 through 0205,
2015 through 2017,
2052, 2055,
4001 through 4019,
4052, 4055.

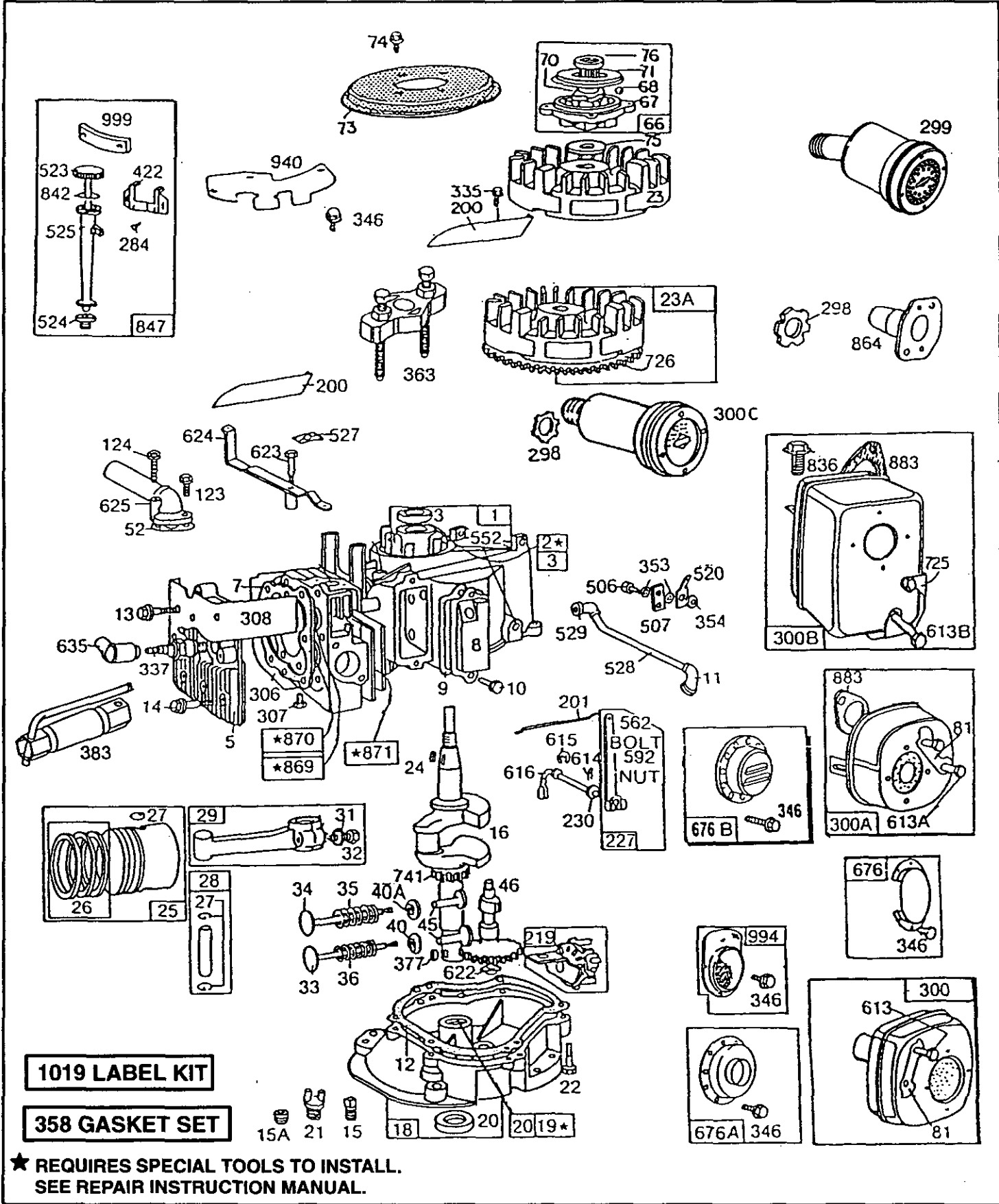
TYPE NUMBERS
3015,3016, 3017,
3051, 3100,
3120 through 3136,
7001, 7002, 7003,
7016, 7017.

TO FIND

**THE CORRECT NUMBER OF THE PART YOU NEED:
FOLLOW THE INSTRUCTIONS BELOW**

- A. Refer to Engine Model, Type and Code Number that is stamped on the blower housing of engine. Engine type numbers such as 0123 01 are listed only as 0123 in most instances. The two digits (01 or 02, etc.) to the right of the space may be required for more accurate parts identification in some instances. Select the Illustrated Parts List covering the correct Model Series and Type Number.
- B. Refer to the Illustrations and compare the original part with Illustration. The number next to the illustration is the Reference Number. Assemblies include all parts shown in frames. All parts shown in assembly frames having individual reference numbers can be purchased separately.
- C. After the Reference Number has been identified, refer to the Numerical text, where Reference and Primary Part Number are listed. **THE PRIMARY PART IS USED ON ALL TYPE NUMBERS EXCEPT THOSE TYPE NUMBERS UNDER "NOTE."**
- D. If a "Note" appears below the Primary Part Number, it means that this part differs from the Primary Part for certain types. If your Type number is listed under "Note," order the part referred to at the "Note."
- E. If your Engine Type Number does not appear after any part number listed under "Note," use the Primary Part Number.
- F. For Engine Type Numbers not covered by this book, check other Parts Lists having the same engine model or contact your source of supply.

132900 to 132999

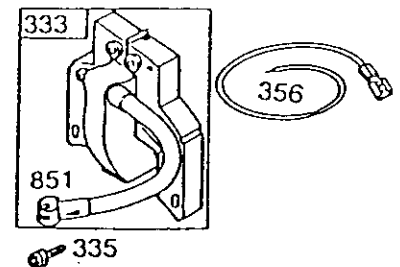
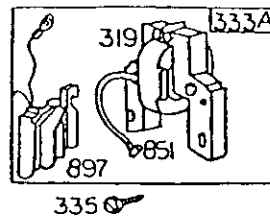
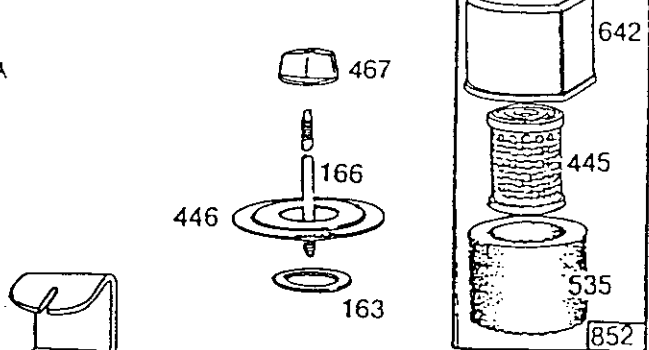
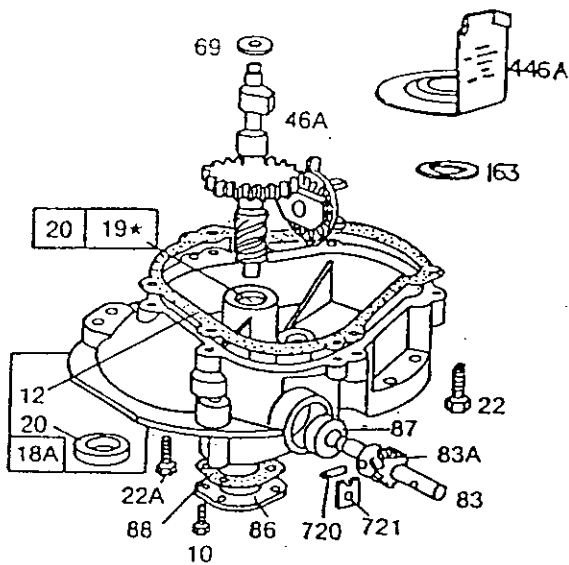
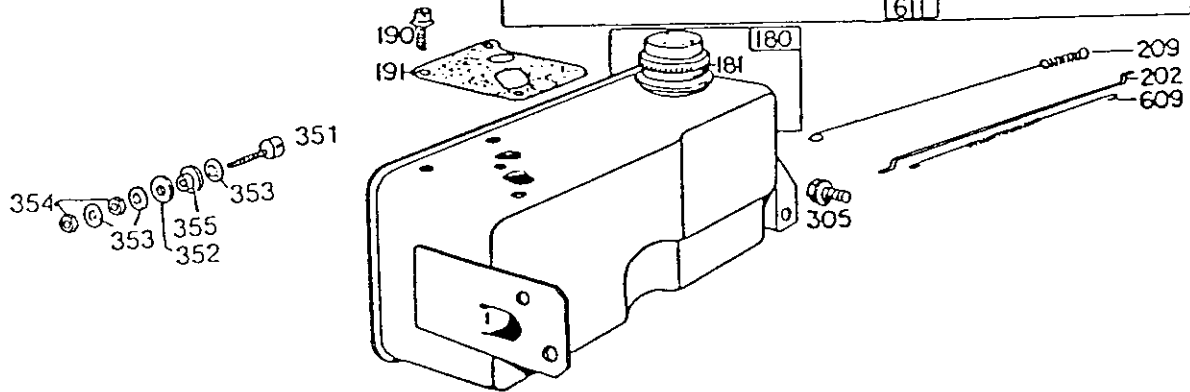
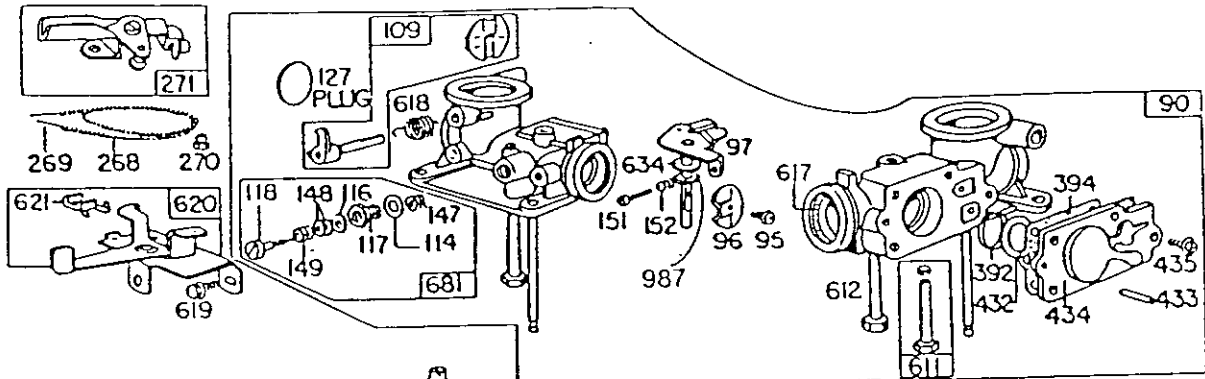


1019 LABEL KIT

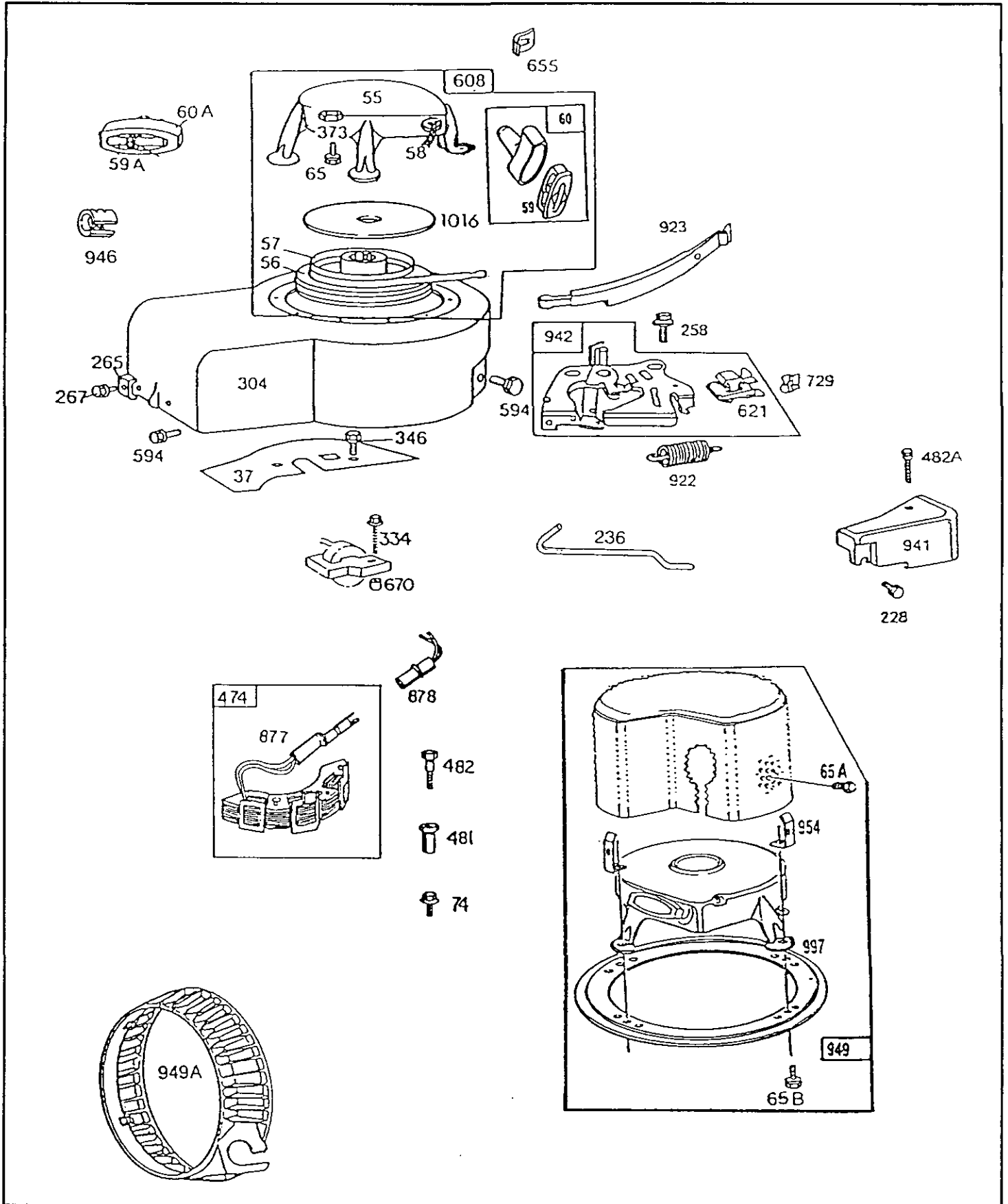
358 GASKET SET

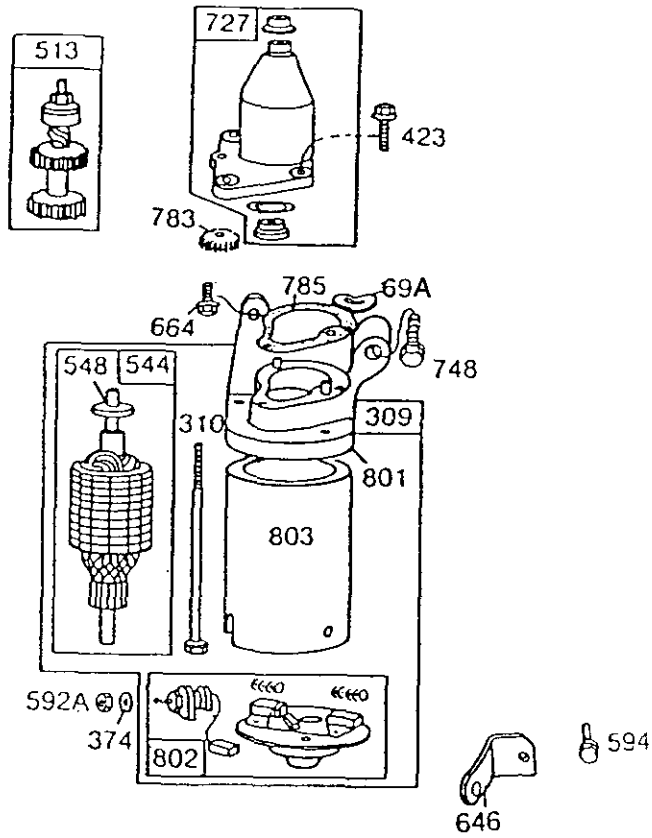
★ REQUIRES SPECIAL TOOLS TO INSTALL.
SEE REPAIR INSTRUCTION MANUAL.

121 CARBURETOR KIT



132900 to 132999





132900 to 132999

REF. NO.	PART NO.	DESCRIPTION	REF. NO.	PART NO.	DESCRIPTION	REF. NO.	PART NO.	DESCRIPTION		
1	398209	Cylinder Assembly Note 399278 Cylinder Assy. Used on Type No(s). 3015, 3016, 3017, 3051, 3100, 3120, 3121, 3122, 3124, 3125, 3126, 3127, 3128, 3129, 3130, 3131, 3132, 3134, 3135, 3136, 7001, 7002, 7003, 7016, 7017.			Used on Type No(s). 0139, 0152, 0153, 0156, 0166, 0170, 0178, 0181, 0187, 0195, 0204, 2015, 3015, 3122, 3124, 4015, 4019. 397119 Crankshaft Used on Type No(s). 0127, 0138, 0145, 0146, 0182. 492092 Crankshaft Used on Type No(s). 0130, 0136.	22A	93415	Screw-Sump Mtg. Sem One Used in Auxiliary Drive Gear Sump Used on Model Series 132982.		
2	399268	Bushing			493410 Crankshaft Used on Type No(s). 0131, 0132, 0135, 0137, 0140, 0141, 0142, 0144, 0147, 0149, 0150, 0151, 0155, 0158, 0159, 0162, 0163, 0165, 0171, 0173, 0174, 0175, 0176, 0179, 0180, 0183, 0198, 0201, 0202, 2017, 2052, 2055, 3017, 3051, 3120, 3121, 3126, 3129, 3131, 3134, 3135, 3136, 4002, 4003, 4004, 4017, 4052, 4055, 7001, 7002, 7017.	23	297229	Flywheel Note 399673 Flywheel Used on Type No(s). 3015, 3016, 3017, 3051, 3100, 3120, 3121, 3122, 3124, 3125, 3126, 3127, 3128, 3129, 3130, 3131, 3132, 3134, 3135, 3136, 7001, 7002, 7003, 7016, 7017.		
3	★299819	Seal-Oil			493634 Crankshaft Used on Type No(s). 3132.	23A	493456	Flywheel		
5	211542	Head-Cylinder			18	297587	Sump-Engine Note 298211 Sump-Engine Used on Type No(s). 0176. 390575 Sump-Engine Used on Type No(s). 0127, 0130, 0138, 0145, 0146.	24	222698	Key-Flywheel
7	★272157	Gasket-Cylinder Head			18A	399198	Sump-Engine Used on Model Series 132982.	25	393819	Piston Assembly (Standard) 393820 Piston Assy. (.010" O.S.) 393821 Piston Assy. (.020" O.S.) 393822 Piston Assy. (.030" O.S.)
8	297261	Breather Assy.			19	297604	Bushing	26	399067	Ring Set (Standard) (Used After Code Date 85042100. 399014 Ring Set (.010" O.S.) (Used After Code Date 85042100. 399015 Ring Set (.020" O.S.) (Used After Code Date 85042100. 399016 Ring Set (.030" O.S.) (Used After Code Date 85042100. 299742 Ring Set (Chrome Standard) (Used Before Code Date 85042200. 393835 Ring Set (Standard) (Used Before Code Date 85042200. 393836 Ring Set (.010" O.S.) (Used Before Code Date 85042200.
9	★27549	Gasket-Breather			20	★391485	Seal-Oil Note 391484 Seal-Oil Used on Type No(s). 0176, 0199.			
10	93394	Screw-Sem (Breather, Ref. No. 8 and P.T.O. Gear Sump Cover, Ref. No. 86)			21	66768	Plug-Oil Fill			
11	67738	Grommet			22	94607	Screw-Sump Mtg. Sem			
12	★270069	Gasket-Crankcase (.015" Thick Standard) ★270122 Gasket- Crankcase (.005" Thick) ★270123 Gasket- Crankcase (.009" Thick)								
13	94221	Screw-Hex. Hd. (Cylinder Head) (2-3/32" Long) Note 93583 Stud-Cylinder Head 22963 Washer-Cyl. Hd. Used on Type No(s). 0165, 0201, 0202, 2055, 3120, 3121, 4052, 4055.								
14	93369	Screw-Cylinder Head (2-15/32" Long)								
15	94239	Plug-Oil Drain								
15A	93418	Plug-Oil Drain (Hexagon Socket Hd.)								
16	492091	Crankshaft Note To Replace Crankshaft Gear Pin- Order Part No. 230978. 397109 Crankshaft								

★ Included in Gasket Set-Part No. 297616.
● Included in Carburetor Kit-Part No. 494625.

132900 to 132999

REF. NO.	PART NO.	DESCRIPTION	REF. NO.	PART NO.	DESCRIPTION	REF. NO.	PART NO.	DESCRIPTION
		393837 Ring Set (.020" O.S.) (Used Before Code Date 85042200.)	40	491442	Retainer-Valve (Exhaust) (Used After Code Date 90051300).	67	394897	Housing-Clutch
		393838 Ring Set (.030" O.S.) (Used Before Code Date 85042200.)			———— Note ————	68	63770	Ball-Clutch
27	26026	Lock-Piston Pin			292259 Retainer-Valve (Exhaust) (Used Before Code Date 90051400).	69	68938	Washer-Thrust
28	298909	Pin-Piston (Standard)			Use(s):	69A	93676	Washer-Spring
		298908 Pin-Piston (.005" O.S.)			230126 Pin-Valve Spring Retainer	70	298799	Ratchet-Starter Clutch
29	299429	Rod-Connecting (Standard)			230127 Retainer-Spring	71	394506	Washer-Clutch Retainer
		390459 Rod-Conn (.020" Undersize)	40A	93312	Retainer-Valve	73	221923	Screen-Rotating
31	221876	Lock-Conn. Rod Screw	45	260642	Tappet-Valve	74	93490	Screw-Rotation Screen and Rectifier Mtg.
32	92296	Screw-Connecting Rod	46	212733	Gear-Cam ———— Note ————	75	224061	Washer-Spring
33	262464	Valve-Exhaust (Used After Code Date 90051300).			211284 Gear-Cam Used on Type No(s). 0176.	76	68238	Washer-Ratchet Sealing
		260860 Valve-Exhaust (Used Before Code Date 90051400).	46A	398823	Gear-Cam (Clockwise) ———— Note ————	81	222263	Lock-Muffler Screw
		———— Note ————			399317 Gear-Cam2 (Counterclockwise) Used on Type No(s). 0150, 0156, 0162, 0178, 0181, 0187, 0190, 0192, 0195, 0198, 0199, 0205, 2052, 3051, 3120, 3124, 3125, 4052.	83	231430	Shaft-Drive
		211119 Valve-Exhaust Used on Type No(s). 0185, 0192, 0195, 0199, 0204, 0205.				83A	231278	Gear-Drive ———— Note ————
34	261044	Valve-Intake						231279 Gear-Drive Used on Type No(s). 0150, 0156, 0162, 0178, 0181, 0187, 0190, 0192, 0195, 0198, 0199, 0205, 2052, 3051, 3120, 3124, 3125, 4052.
35	260552	Spring-Valve (Intake)	52	*270070	Gasket-Intake Elbow	86	223577	Cover-Sump
36	262750	Spring-Valve (Exhaust) (Used After Code Date 90051300).	55	299431	Housing-Rewind Starter	87	391484	Seal-Oil
		26826 Spring-Valve (Exhaust) (Used Before Code Date 90051400).	56	295871	Pulley-Rewind Starter	88	*271814	Gasket-Sump Cover
		———— Note ————	57	490179	Spring-Rewind Starter	90	396748	Carburetor
		26478 Spring-Valve (Exhaust) Used on Type No(s). 0185, 0192, 0195, 0199, 0204, 0205.	58	66884	Rope-Rewind Starter (63" Long) ———— Note ————	95	93499	Screw-Throttle Valve
					If Longer Rope is Required, Order Rope and Cut to Required Length.	96	211237	Valve-Throttle
37	222443	Guard-Flywheel ———— Note ————	59	490653	Insert-Starter Handle	97	299692	Shaft-Throttle
		222579 Guard-Flywheel (Used on Engines With Electric Starter).	59A	230228	Pin-Starter Rope	109	396753	Shaft-Choke
			60	490652	Handle-Rewind Starter	114	●66594	Gasket-Valve
			60A	66728	Grip-Starter Rope	116	●65978	Packing-Needle Valve
			65	94128	Screw-Sem	117	●230590	Nut-Needle Valve
			65A	94018	Screw-Hex. Head	118	●23433	Valve-Needle
			65B	93067	Screw-Hex. Head	121	494625	Carburetor Kit
			66	399671	Clutch-Starter	123	93512	Screw-Sem
						124	93367	Screw-Sem
						127	22831	Plug-Welch
						147	●230591	Seat-Needle Valve
						148	●22235	Washer-Needle Valve
						149	●26336	Spring-Needle Valve
						151	93527	Screw-Round Head
						152	260575	Spring-Adjustment
						163	*●271139	Gasket-Air Cleaner
						166	231332	Stud-Air Cleaner
						180	297257	Tank-Fuel
						181	394818	Cap-Fuel Tank
						190	93440	Screw-Fuel Tank Mtg.
						191	*●270073	Gasket-Tank Mounting
						200	223886	Guide-Air
						201	260649	Link-Governor
						202	260654	Link-Throttle

* Included in Gasket Set-Part No. 297616.
● Included in Carburetor Kit-Part No. 494625.

132900 to 132999

REF. NO.	PART NO.	DESCRIPTION	REF. NO.	PART NO.	DESCRIPTION	REF. NO.	PART NO.	DESCRIPTION
209	260703	Spring-Governor Note 260711 Spring-Gov. Used on Type No(s). 0133, 0139, 0141, 0142, 0143, 0145, 0148, 0150, 0151, 0152, 0155, 0156, 0158, 0162, 0180, 0182, 0184, 0202, 3015, 3016, 3017, 3051, 3120, 3122, 3124, 3127, 3128, 3132, 4019, 7003. 261047 Spring-Gov. Used on Type No(s). 0140, 0144, 0153, 0159, 0169, 0170, 0171, 0174, 0185, 0187, 0188, 0190, 0191, 0194, 0195, 0197, 3121, 3126, 3129, 3131, 4004, 7002.			Length in Inches; If Shorter Wire is Needed, Order and Cut to Required Length.			3135, 3136, 7001, 7016, 7017, 7002, 7003, 7016, 7017. 394918 Housing- Blower Used on Type No(s). 0127, 0138, 0145, 0146, 0182.
			270	63426	Locknut-Casing	305	94608	Screw-Hex. Head
			271	290568	Lever-Control	306	221484	Shield-Cylinder
			284	93410	Screw-Clamp Mtg. Note 94186 Screw-Clamp Mounting Used on Type No(s). 0150, 0178, 0181, 0185, 0187, 0191, 0192, 0193, 0195, 0197, 0198, 0199, 0205, 3120, 3125, 3128.	307	93490	Screw-Sem (Used After Code Date 87020800). Note 93042 Screw-Cylinder Shield (Used Before Code Date 87020900).
			298	261409	Locknut-Muffler	308	221452	Cover-Cylinder Head
			299	393368	Muffler-Exhaust	309	390232	Motor-Starter Use(s): 92813 Lockwasher 231082 Nut-Hex.
			300	393615	Muffler-Exhaust (Lo-Tone)	310	93648	Bolt-Thru
			300A	390918	Muffler-Exhaust (Lo-Tone) Note 391370 Muffler- Exhaust (Lo-Tone) Used on Type No(s). 0160, 0165, 2055, 4055. 492940 Guard-Muffler Use(s): 93873 Screw-Sem 94186 Screw-Hex. Head (2) (Guard to Muffler) 222289 Washer Used on Type No(s). 0149, 0198.	319	298316	Armature-Magneto (Less Trigger Coil)
219	297249	Gear-Governor				333	397358	Armature-Magneto
227	391967	Lever Assy.-Governor				333A	397358	Armature-Magneto
228	93758	Screw-Hex. Hd.				334	93613	Screw-Sem
230	222450	Washer-Governor Crank				335	93414	Screw Hex. Hd.
236	262461	Link-Lock Out				337	298809	Plug-Spark (1-1/2" High, 38 mm.) Note 293918 Plug-Spark (1-1/2" Resistor Type) 492167 Plug-Spark (1-7/8" High, 48 mm.) 802592 Plug-Spark (1-7/8" High, 48 mm. Resistor Type)
258	94018	Screw-Sem (Bracket to Cylinder)				346	93705	Screw-Hex. Hd.
265	221535	Clamp-Casing (Used After Code Date 92072600). Note 22372 Clamp-Casing (Used Before Code Date 92072700).				351	91920	Screw-Filister Head
267	93469	Screw-Clamp Mtg.	300B	396001	Muffler-Exhaust	352	66794	Washer-Insulating
268	66986	Casing-Control Wire (48" Long) Note If Longer Casing is Needed, Specify Length in Inches; If a Shorter Casing is Needed, Order and Cut to Required Length.	300C	393010	Muffler-Exhaust (Round Lo-Tone)	353	92791	Washer-Lock
			304	490192	Housing-Blower Note 223836 Housing- Blower Used on Type No(s). 3015, 3016, 3017, 3051, 3100, 3120, 3121, 3122, 3124, 3125, 3126, 3127, 3128, 3129, 3130, 3131, 3132, 3134,	354	90576	Nut-Hex.
						355	66554	Collar-Insulating
						356	398808	Wire-Stop Note 398153 Wire-Stop Used on Type No(s). 0148. 399094 Wire-Stop Used on Type No(s). 3132.
269	26099	Wire-Casing (54" Long) Note If Longer Wire is Needed, Specify						

★ Included in Gasket Set-Part No. 297616.
 ● Included in Carburetor Kit-Part No. 494625.

132900 to 132999

REF. NO.	PART NO.	DESCRIPTION	REF. NO.	PART NO.	DESCRIPTION	REF. NO.	PART NO.	DESCRIPTION		
871	262001	Guide-Exhaust Valve ————— Note ————— 63709 Guide-Intake Valve			————— Note ————— 397668 Bracket Assembly-Lever Used on Type No(s). 3128.	954	224471	Bracket-Mounting (Used After Code Date 90040100). ————— Note ————— 223491 Bracket-Mounting (Used Before Code Date 90040200).		
877	393854	Diode and Connector Assembly	946	223294	Stop-Rope					
878	393422	Alternator Harness Assembly	949	493945	Screen-Debris (Used After Code Date 90040100).	987	398970	Seal-Throttle Shaft (Used After Code Date 85102000).		
883	*272309	Gasket-Exhaust			————— Note ————— 399802 Screen-Debris (Used Before Code Date 90040200).	994	399541	Arrester-Spark		
897	394970	Magnetron® Ignition Kit			949A	280680	Guard-Rewind Starter	997	223490	Shield-Debris
922	261647	Spring-Band Brake						999	212980	Spacer-Oil Fill Tube
923	394867	Brake Assembly-Band						1016	490817	Spacer
940	223687	Guard-Flywheel						1019	491101	Label Kit
941	280395	Cover-Linkage								
942	493248	Bracket Assy.-Lever								

- ★ Included in Gasket Set-Part No. 297616.
- Included in Carburetor Kit-Part No. 494625.

Assemblies include all parts shown in frames.



BRIGGS & STRATTON

®