

133200 to 133299

Illustrated Parts List Model Series 133200 to 133299

TYPE NUMBERS
0001 through 0021,
0024 through 0038,
0040, 0049, 0050,
0060 through 0064,
0090 through 0129,
0131 through 0162,
0313 through 0360,
0514 through 0526,
1002 through 1015,
1024 through 1050,
1060, 1063, 1064,
1101 through 1163.

TO FIND THE CORRECT NUMBER OF THE PART YOU NEED: FOLLOW THE INSTRUCTIONS BELOW

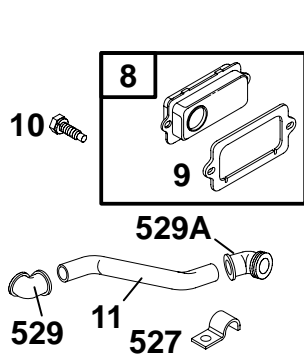
- A. Refer to Engine Model, Type and Code Number that is stamped on the blower housing of engine. Engine type numbers such as 0123 01 are listed only as 0123 in most instances. The two digits (01 or 02, etc.) to the right of the space may be required for more accurate parts identification in some instances. Select the Illustrated Parts List covering the correct Model Series and Type Number.
- B. Refer to the Illustrations and compare the original part with Illustration. The number next to the illustration is the Reference Number. Assemblies include all parts shown in frames. All parts shown in assembly frames having individual reference numbers can be purchased separately.
- C. After the Reference Number has been identified, refer to the Numerical text, where Reference and Primary Part Number are listed. **THE PRIMARY PART IS USED ON ALL TYPE NUMBERS EXCEPT THOSE TYPE NUMBERS UNDER "NOTE."**
- D. If a "Note" appears below the Primary Part Number, it means that this part differs from the Primary Part for certain types. If your Type number is listed under "Note," order the part referred to at the "Note."
- E. If your Engine Type Number does not appear after any part number listed under "Note," use the Primary Part Number.
- F. For Engine Type Numbers not covered by this book, check other Parts Lists having the same engine model or contact your source of supply.

PRINTED IN U.S.A.



COPYRIGHT by BRIGGS & STRATTON CORPORATION
All rights reserved. No part of this material may be reproduced or transmitted, in any form or by any means, electronic or mechanical, including photocopying, recording or by any information storage and retrieval system, without permission in writing from Briggs & Stratton Corporation.

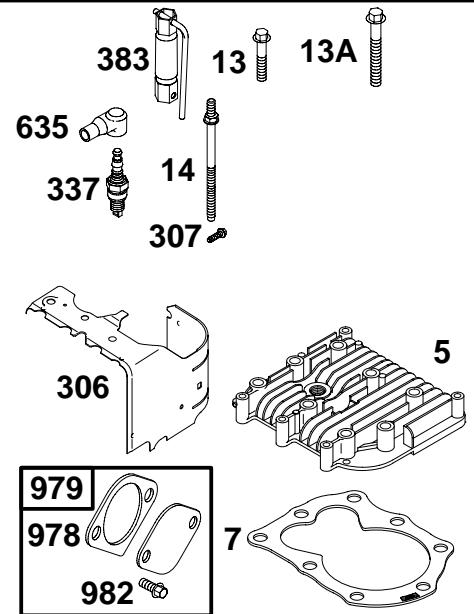
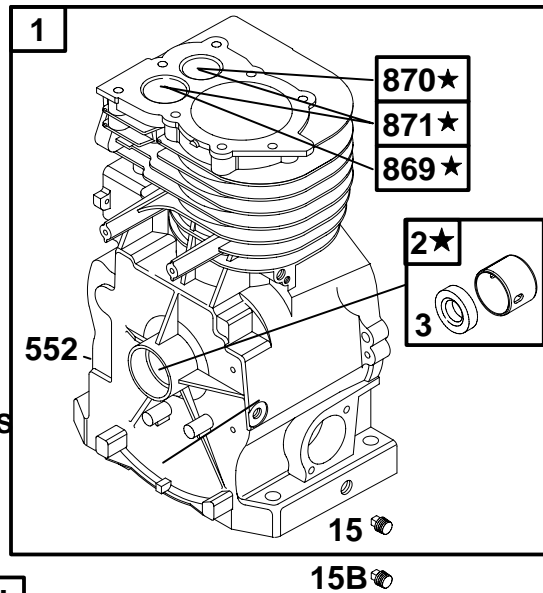
133200 to 133299



★ **REQUIRES SPECIAL TOOLS TO INSTALL. SEE REPAIR INSTRUCTION MANUAL.**

1019 LABEL KIT

1058 OWNER'S MANUAL

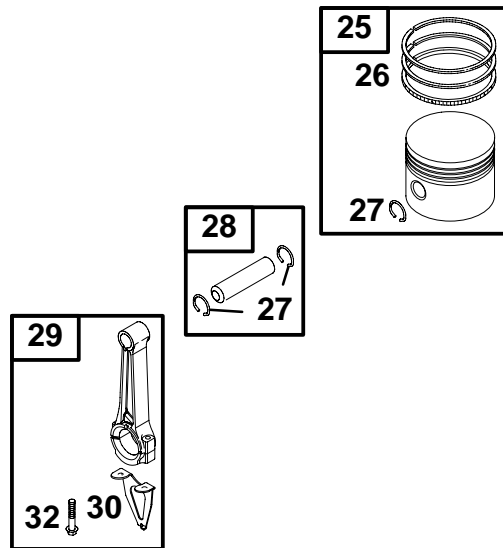


REF. NO.	PART NO.	DESCRIPTION	REF. NO.	PART NO.	DESCRIPTION	REF. NO.	PART NO.	DESCRIPTION	
1	495133	Cylinder Assembly	306	694514	Shield-Cylinder	635	66538	Boot-Spark Plug	
2	399269	Kit-Bushing/Seal (Magneto Side)	307	691660	Screw (Cylinder Shield)	869	691705	Seat-Valve (Intake)	
3	★299819	Seal-Oil (Magneto Side)	337	802592	Plug-Spark (Resistor Type)	870	691856	Seat-Valve (Exhaust Valve)	
5	691716	Head-Cylinder			Note	871	262001	Bushing-Valve Guide (Exhaust Valve)	
7	★Ø272157	Gasket-Cylinder Head			492167			Note	
8	495774	Breather Assembly	383	89838	Wrench-Spark Plug			63709	Bushing-Valve Guide
9	★Ø27549	Gasket-Breather	527	691741	Clamp-Tube	978	★273326	Gasket-Oil Gard®	
10	691666	Screw (Breather Assembly)	529	692189	Grommet (90 Degree)	979	691382	Cover-Oil Gard®	
11	231550	Tube-Breather	529A	692187	Grommet (120 Degree)	982	690351	Screw (Oil Gard® Cover)	
13	691640	Screw (Cylinder Head)	552	690508	Bushing-Governor Crank	1019	491102	Kit-Label	
13A	691659	Screw (Cylinder Head)				1058	274874	Owner's Manual	
14	691690	Stud (Cylinder Head)							
15	691686	Plug-Oil Drain							
15B	691663	Plug-Oil Drain (Magnetic)							

★ Included in Engine Gasket Set-Ref. No. 358.

● Included in Carburetor Overhaul Kit-Ref. No. 121.

Ø Included in Valve Gasket Set-Ref. No. 1095.



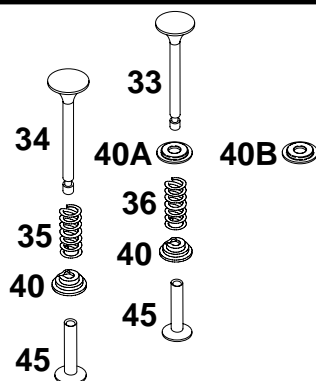
REF. NO.	PART NO.	DESCRIPTION	REF. NO.	PART NO.	DESCRIPTION	REF. NO.	PART NO.	DESCRIPTION
25	393819	Piston Assembly (Standard) Note 393820 Piston Assembly (.010" Oversize) 393821 Piston Assembly (.020" Oversize) 393822 Piston Assembly (.030" Oversize)	26	399067	Ring Set (Standard) Note 399014 Ring Set (.010" Oversize) 399015 Ring Set (.020" Oversize) 399016 Ring Set (.030" Oversize)	28	298909	Pin-Piston (Standard) Note 298908 Pin-Piston (.005" Oversize)
			27	691588	Lock-Piston Pin	29	299430	Rod-Connecting (Standard) Note 390459 Rod-Connecting (.020" Undersize)
						30	691759	Dipper-Connecting Rod
						32	691664	Screw (Connecting Rod)

★ Included in Engine Gasket Set-Ref. No. 358.

● Included in Carburetor Overhaul Kit-Ref. No. 121.

∅ Included in Valve Gasket Set-Ref. No. 1095.

133200 to 133299

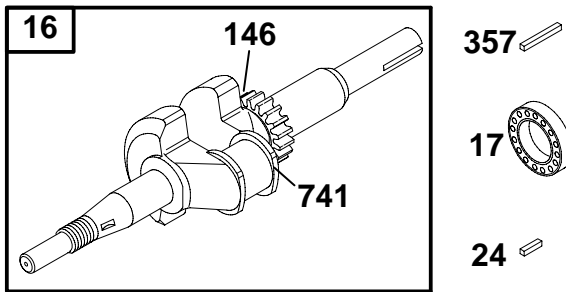


REF. NO.	PART NO.	DESCRIPTION	REF. NO.	PART NO.	DESCRIPTION	REF. NO.	PART NO.	DESCRIPTION
33	691827	Valve—Exhaust Note 211119 Valve—Exhaust Used on Type No(s). 0010, 0011, 0014, 0019, 0027, 0040, 0061, 0062, 0063, 0064, 0115, 0116, 0123, 0125, 0135, 0150, 0156, 0157, 1010, 1014, 1040, 1063, 1064, 1156.	40	692194	Retainer—Valve (Intake)	45	690509	Tappet—Valve Used on Type No(s). 0010, 0011, 0014, 0019, 0027, 0040, 0061, 0062, 0063, 0064, 0115, 0116, 0123, 0125, 0135, 0150, 0156, 0157, 1010, 1014, 1040, 1063, 1064, 1156.
34	261044	Valve—Intake	40A	691367	Retainer—Valve (Exhaust Rotocoil) Note 692194 Retainer— Valve (Exhaust) Used on Type No(s). 0010, 0011, 0014, 0019, 0027, 0040, 0061, 0062, 0063, 0064, 1010, 1014, 0115, 0116, 0123, 0125, 0135, 1040, 0150, 0156, 0157, 1063, 1156.			
35	690520	Spring—Valve (Intake)	40B	691760	Retainer—Valve (Exhaust)			
36	691838	Spring—Valve (Exhaust) Note 692180 Spring—Valve (Exhaust) Used on Type No(s). 0010, 0011, 0014, 0019, 0027, 0040, 0061, 0062, 0063, 0064, 0115, 0116, 0123, 0125, 0135, 0150, 0156, 0157, 1010, 1014, 1040, 1063, 1064, 1156						

★ Included in Engine Gasket Set—Ref. No. 358.

● Included in Carburetor Overhaul Kit—Ref. No. 121.

∅ Included in Valve Gasket Set—Ref. No. 1095.



REF. NO.	PART NO.	DESCRIPTION	REF. NO.	PART NO.	DESCRIPTION	REF. NO.	PART NO.	DESCRIPTION
16	495645	Crankshaft Note 397095 Crankshaft Used on Type No(s). 0001, 0009, 0024, 0027, 0049, 0063, 0102, 0112, 0324, 0349, 1012, 1024, 1049, 1063, 1130. 397103 Crankshaft Used on Type No(s). 0119, 0124, 0524. 492088 Crankshaft Used on Type No(s). 0019, 0103, 0113, 0154, 0156, 0159, 1156. 494035 Crankshaft Used on Type No(s). 0116, 0131, 1131. 495642 Crankshaft Used on Type No(s). 0008, 0125.			495643 Crankshaft Used on Type No(s). 0007, 0014, 0038, 0061, 0115, 0138, 0148, 0338, 1014, 1038. 495644 Crankshaft Used on Type No(s). 0011, 0035, 0062, 0091, 0117, 0123, 0146, 0335, 1035. 495649 Crankshaft Used on Type No(s). 0060, 0120, 0121, 0122, 0127, 0137, 0142, 0360, 0522, 0525, 0526, 1060. 499764 Crankshaft Used on Type No(s). 0140. 692142 Crankshaft Used on Type No(s). 0522, 0525, 1125.			17 692007 Bearing-Ball (PTO Side) 24 222698 Key-Flywheel 146 690979 Key-Timing (Used with Timing Gear 691847) Note 499047 Key-Timing (Used with Timing Gear 261696) 357 692191 Key-Drive Pulley 741 691847 Timing Gear (Uses Woodruff Key) Note 261696 Gear-Timing (Uses Locating Pin)

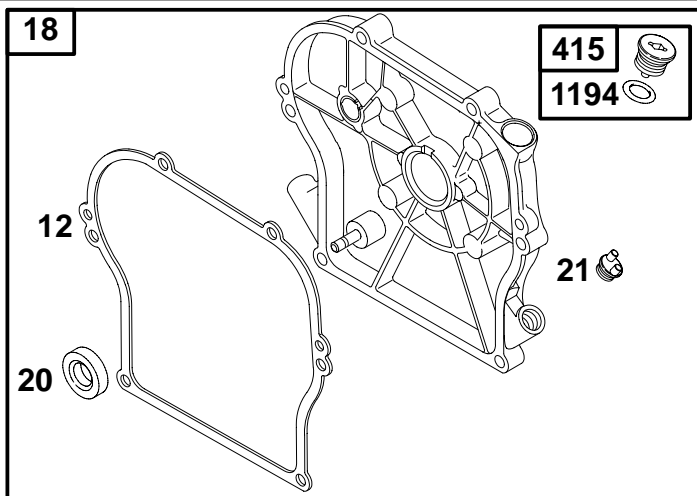
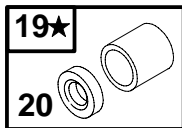
★ Included in Engine Gasket Set-Ref. No. 358.

● Included in Carburetor Overhaul Kit-Ref. No. 121.

∅ Included in Valve Gasket Set-Ref. No. 1095.

133200 to 133299

★ **REQUIRES SPECIAL TOOLS TO INSTALL. SEE REPAIR INSTRUCTION MANUAL.**

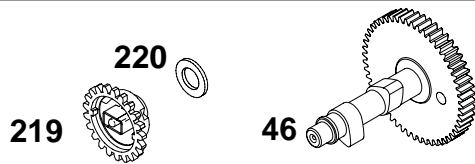


REF. NO.	PART NO.	DESCRIPTION	REF. NO.	PART NO.	DESCRIPTION	REF. NO.	PART NO.	DESCRIPTION
12	★692213	Gasket-Crankcase (.015", Standard) ———— Note ——— ★270125 Gasket-Crankcase (.005") ★270126 Gasket-Crankcase (.009).	18	694319	Cover-Crankcase (Used After Code Date 99031400). ———— Note ——— 694319 Cover-Crankcase (Used Before Code Date 99031500). 694377 Cover-Crankcase (Used Before Code Date 99031500). Used on Type No(s). 0001, 0009, 0024, 0027, 0049, 0060, 0063, 0102, 0112, 0113, 0116, 0119, 0120, 0121, 0122, 0127, 0131, 0137, 0140, 0142, 0154, 0159, 0324, 0349, 0360, 0522, 0525, 0526, 1012, 1024, 1049, 1060, 1063, 1125, 1130, 1131. 694375 Cover-Crankcase Used on Type No(s). 0019, 0103. 694350 Cover-Crankcase Used on Type No(s). 0124, 0156, 0524, 1156.	19	495660	Kit-Bushing/Seal (PTO Side)
						20	★495307	Seal-Oil (PTO Side) ———— Note ——— 294606 Seal-Oil (PTO Side) Used on Type No(s). 0019, 0103, 0124, 0156, 0524, 1156. 691952 Seal-Oil (PTO Side) Used on Type No(s). 0019, 0103. 692019 Seal-Oil (PTO Side) Used on Type No(s). 0116, 0131, 0159, 1131.
						21	281658	Cap-Oil Fill
						22	691662	Screw (Crankcase Cover)
						415	691363	Plug
						1194	691876	O Ring Seal (Plug)

★ Included in Engine Gasket Set-Ref. No. 358.

● Included in Carburetor Overhaul Kit-Ref. No. 121.

∅ Included in Valve Gasket Set-Ref. No. 1095.



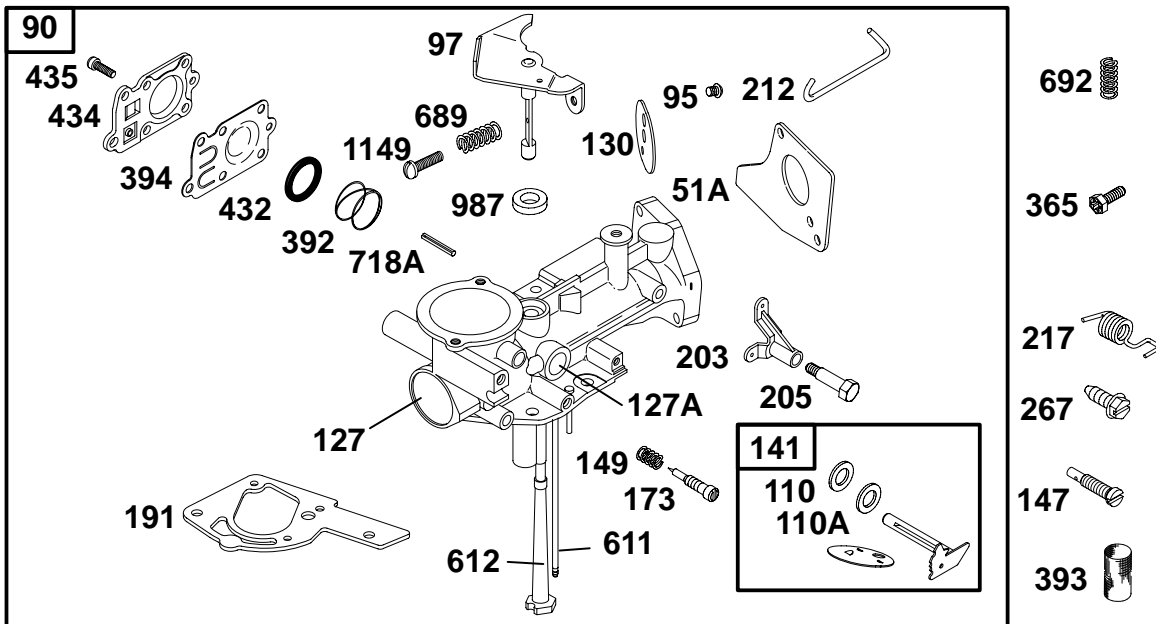
REF. NO.	PART NO.	DESCRIPTION	REF. NO.	PART NO.	DESCRIPTION	REF. NO.	PART NO.	DESCRIPTION
46	691164	Camshaft (Used After Code Date 96112400). Note 691164 Camshaft (Used Before Code Date 96112500). 691166 Camshaft Used on Type No(s). 0019, 0103.	219	494845	Gear-Governor	220	691724	Washer

★ Included in Engine Gasket Set-Ref. No. 358.

● Included in Carburetor Overhaul Kit-Ref. No. 121.

∅ Included in Valve Gasket Set-Ref. No. 1095.

133200 to 133299

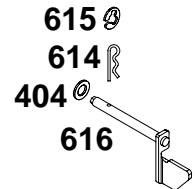
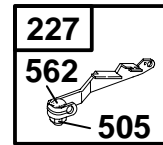
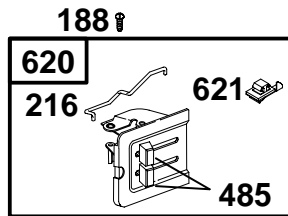


REF. NO.	PART NO.	DESCRIPTION	REF. NO.	PART NO.	DESCRIPTION	REF. NO.	PART NO.	DESCRIPTION
51A	★●273113	Gasket—Intake	149	691592	Spring—Needle Valve	432	690766	Cap—Spring
90	498298	Carburetor	173	●691777	Valve—Idle Mixture	434	691713	Cover—Diaphragm
95	691437	Screw (Throttle Valve)	191	★●692241	Gasket—Fuel Tank	435	691619	Screw (Diaphragm Cover)
97	692325	Shaft—Throttle	203	691906	Crank—Bell (Standard Nylon)	611	691770	Pipe—Fuel
110	691869	Washer (Choke Shaft, Felt)	205	691776	Screw (Bell Crank)	612	391813	Tube—Pick Up (Uses Clip Spring)
110A	690401	Washer (Choke Shaft, Brass)	212	691812	Link—Throttle	689	691783	Spring—Friction (Idle Screw)
127	691718	Plug—Welch	217	691815	Spring—Choke Return	692	690572	Spring—Detent Used on Type No(s). 0313, 0324, 0335, 0336, 0338, 0349, 0350, 0360, 0514, 0522, 0524, 0525, 0526, 1010, 1013, 1014, 1015, 1024, 1035, 1036, 1038, 1040, 1049, 1050, 1060, 1063, 1064, 1131, 1151, 1156, 1163.
127A	691742	Plug—Welch	267	691082	Screw (Casing Clamp)	718A	690296	Pin—Locating (Pump Cover)
130	691743	Valve—Throttle	365	690953	Screw (Carburetor)	987	695273	Seal—Throttle Shaft
141	497230	Kit—Choke Shaft (Used After Code Date 94083100). Note 491177 Kit—Choke Shaft (Used Before Code Date 94090100)	392	691823	Spring—Pump Diaphragm	1149	691624	Screw (Throttle Shaft)
147	691250	Jet—Pilot (Standard) Used on Type No(s). 0324, 0335, 0336, 0338, 0349, 0350, 0360, 0514. Note 692725 Jet—Pilot (High Altitude)	393	691213	Screen—Carburetor			
			394	●272538	Diaphragm—Carburetor (Pump)			

★ Included in Engine Gasket Set—Ref. No. 358.

● Included in Carburetor Overhaul Kit—Ref. No. 121.

∅ Included in Valve Gasket Set—Ref. No. 1095.



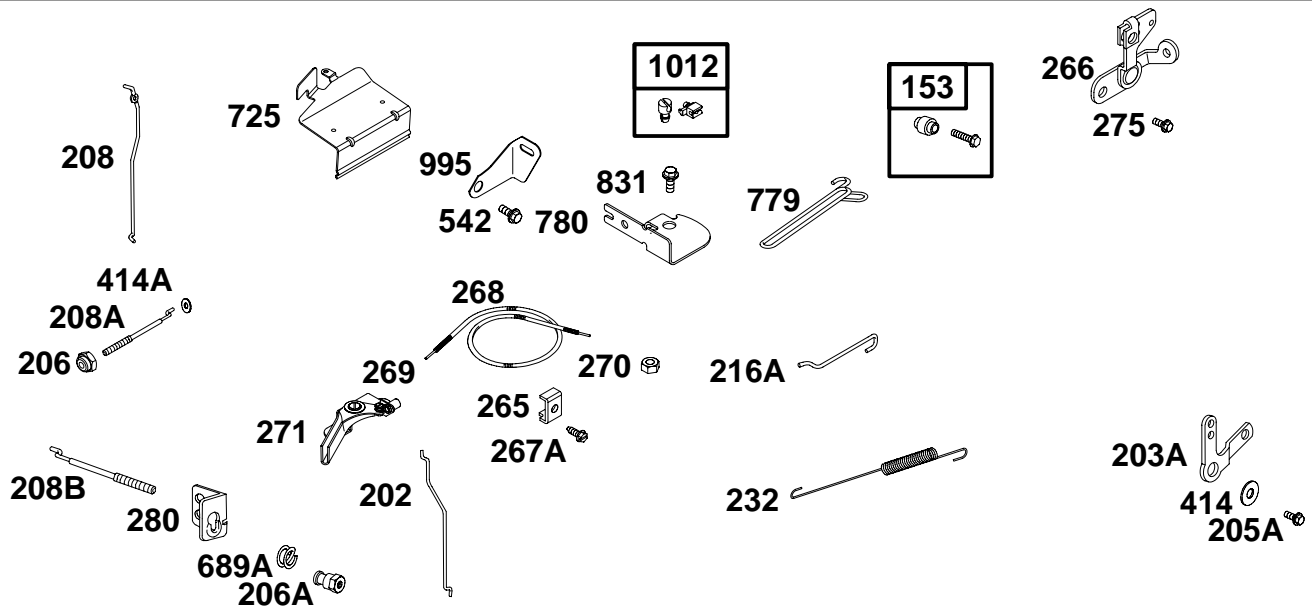
REF. NO.	PART NO.	DESCRIPTION	REF. NO.	PART NO.	DESCRIPTION	REF. NO.	PART NO.	DESCRIPTION
188	692200	Screw (Control Bracket)	485	692295	Knob-Control	615	93307	Retainer-Governor Shaft
216	691824	Link-Choke (Manual)	505	691251	Nut (Governor Control Rod)	616	692016	Crank_Governor
227	690653	Lever-Governor Control	562	691119	Bolt (Governor Control Lever)	620	490649	Bracket-Control (Panel)
404	691691	Washer (Governor Crank)	614	691620	Pin-Cotter	621	692310	Switch-Stop

★ Included in Engine Gasket Set-Ref. No. 358.

● Included in Carburetor Overhaul Kit-Ref. No. 121.

∅ Included in Valve Gasket Set-Ref. No. 1095.

133200 to 133299

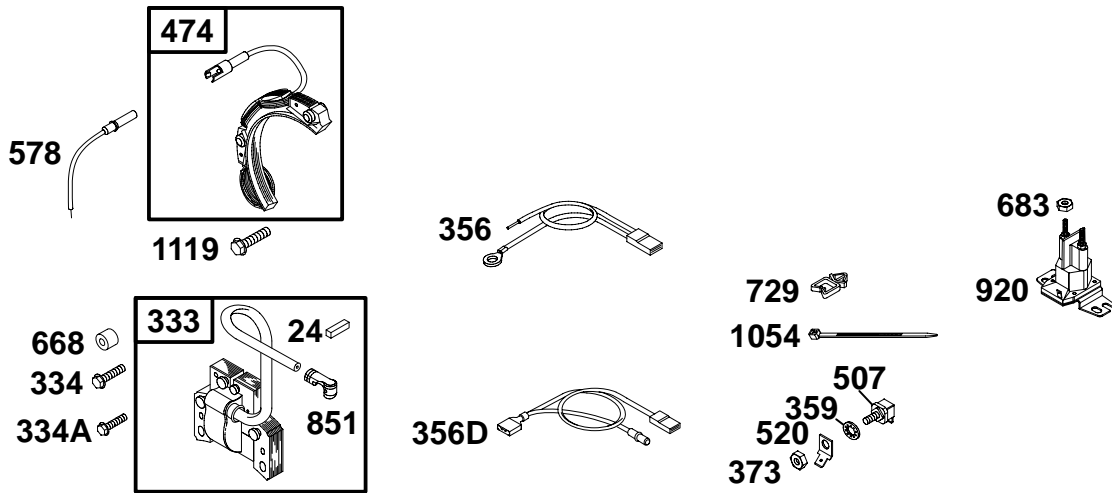


REF. NO.	PART NO.	DESCRIPTION	REF. NO.	PART NO.	DESCRIPTION	REF. NO.	PART NO.	DESCRIPTION
153	490589	Kit-Collar/Screw	266	691414	Control-Throttle (Remote Governor/Idle) (Cut to Required Length)	275	691683	Screw (Control Throttle)
202	691814	Link-Mechanical Governor	267A	690804	Screw (Casing Clamp)	280	691184	Bracket-Rod
203A	691744	Crank-Bell	268	691072	Casing-Control Wire	410	691274	Link-Control
205A	690320	Screw (Bell Crank)	269	691589	Wire-Control	414	691721	Washer (Bell Crank)
206	690325	Nut (Governor Adjusting)	270	691027	Nut (Control Wire Casing)	414A	691721	Washer (Governor Idle Control Rod)
206A	691771	Nut (Governor Adjusting)	271	691028	Lever-Control	542	691683	Screw (Link Bracket)
208	691813	Rod-Governor Control				689A	692522	Spring-Friction
208A	691820	Rod-Governor Control				725	690440	Shield-Heat (Fuel Tank)
208B	691821	Rod-Governor Control				779	691828	Link-Bell Crank
216A	691271	Link-Choke				780	691211	Anchor-Spring
232	691819	Spring-Governor Link (1 Wire, Ring and Male Blade Terminals)				831	691099	Screw (Spring Anchor)
265	691024	Clamp-Casing				995	691756	Bracket-Link
						1012	490507	Retainer-Link

★ Included in Engine Gasket Set-Ref. No. 358.

● Included in Carburetor Overhaul Kit-Ref. No. 121.

∅ Included in Valve Gasket Set-Ref. No. 1095.



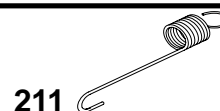
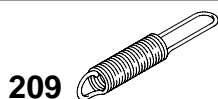
REF. NO.	PART NO.	DESCRIPTION	REF. NO.	PART NO.	DESCRIPTION	REF. NO.	PART NO.	DESCRIPTION
24	222698	Key-Flywheel	359	691077	Washer (Ground Terminal)	578	692306	Wire Assembly
333	397358	Armature-Magneto	373	691612	Nut (Ground Terminal)	668	690531	Spacer (Used on Models with Electric Start)
334	690306	Screw (Magneto Armature) (Used on Models with Electric Start)	474	494254	Alternator	683	691029	Nut (Starter Solenoid)
334A	691621	Screw	507	691972	Insulator	729	690588	Clip-Wire (Nylon)
356	398808	Wire-Stop (2 Wire, 1 Ring Terminal, 1 Bare Wire and Insulated Blade Terminal)	520	691084	Terminal-Ground	851	493880	Terminal-Spark Plug
356D	690650	Wire-Stop (1 Wire, Ring and Male Blade Terminals) (Magneto Armature)				920	691656	Solenoid-Starter (Alternator)
						1054	280275	Tie-Cable
						1119	691183	Screw (Alternator)

★ Included in Engine Gasket Set-Ref. No. 358.

● Included in Carburetor Overhaul Kit-Ref. No. 121.

∅ Included in Valve Gasket Set-Ref. No. 1095.

133200 to 133299




REF. NO.	PART NO.	DESCRIPTION	REF. NO.	PART NO.	DESCRIPTION	REF. NO.	PART NO.	DESCRIPTION	
209	690376	Spring–Governor (Red) Note 691816 Spring–Governor (Black) Used on Type No(s). 0127, 0156 1012, 1035, 1040, 1050. 690549 Spring–Governor (Blue) Used on Type No(s). 0001, 0020 0021, 0135, 0150, 0154, 0157, 0313, 0324, 0335, 0336, 0349, 0350, 0360, 0514, 0522, 0524, 0525, 0526, 1002, 1010, 1013, 1015, 1024, 1036, 1049, 1060, 1063, 1064, 1101, 1118, 1125, 1126, 1130, 1143, 1151, 1162 691817 Spring–Governor (Green) Used on Type No(s). 0038, 0116, 0131, 0338, 1038, 1131, 1156. 690550 Spring–Governor (Yellow) Used on Type No(s). 0007, 0014, 0061, 0115, 0138, 0148, 1014. 691845 Spring–Governor (Silver) Used on Type No(s). 1156.	211	691850	Spring–Governed Idle				

★ Included in Engine Gasket Set–Ref. No. 358.

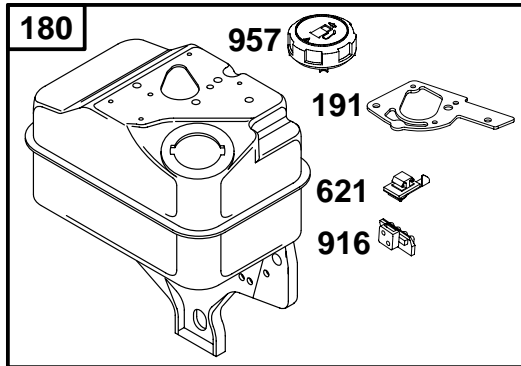
● Included in Carburetor Overhaul Kit–Ref. No. 121.

∅ Included in Valve Gasket Set–Ref. No. 1095.

190 

190A 

190B 



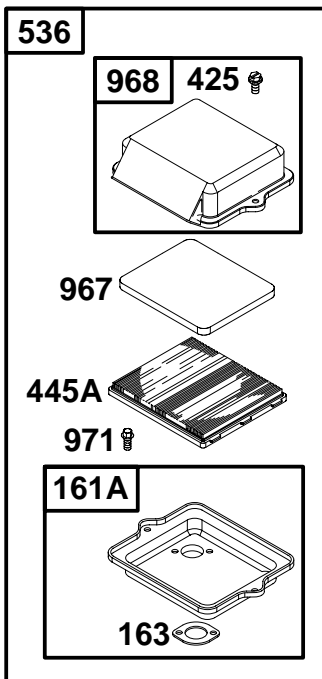
REF. NO.	PART NO.	DESCRIPTION	REF. NO.	PART NO.	DESCRIPTION	REF. NO.	PART NO.	DESCRIPTION
180	694315	Tank-Fuel (Metal, 3 Quart)	191	★●692241	Gasket-Fuel Tank	916	691900	Rack-Governor Gear (Black)
190	692200	Screw (Fuel Tank)	621	692310	Switch-Stop	<p align="center">Note</p> <p>690583 Rack-Governor Gear Used on Type No(s). 0020, 0021, 0114.</p>		
190A	691687	Screw (Fuel Tank)				957	494559	Cap-Fuel Tank (Plastic)
190B	691685	Screw (Fuel Tank)						

★ Included in Engine Gasket Set-Ref. No. 358.

● Included in Carburetor Overhaul Kit-Ref. No. 121.

∅ Included in Valve Gasket Set-Ref. No. 1095.

133200 to 133299

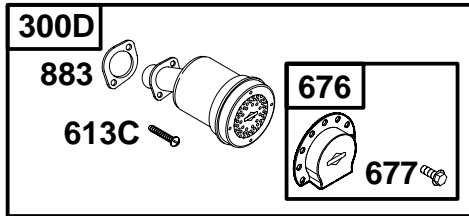
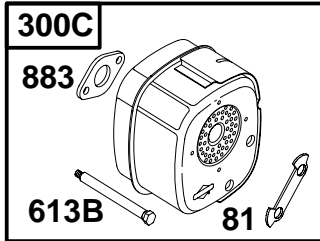
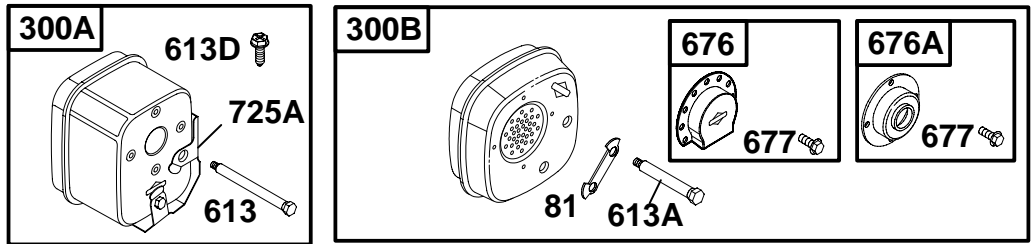


REF. NO.	PART NO.	DESCRIPTION	REF. NO.	PART NO.	DESCRIPTION	REF. NO.	PART NO.	DESCRIPTION
161A	694484	Base—Air Cleaner	445A	491588	Filter—Air Cleaner Cartridge	968	692321	Cover—Air Cleaner
163	★Ø271935	Gasket—Air Cleaner	536	494279	Cleaner—Air	971	690859	Screw (Air Cleaner Base)
425	694515	Screw (Air Cleaner Cover)	967	491435	Filter—Pre Cleaner			

★ Included in Engine Gasket Set—Ref. No. 358.

● Included in Carburetor Overhaul Kit—Ref. No. 121.

Ø Included in Valve Gasket Set—Ref. No. 1095.



981

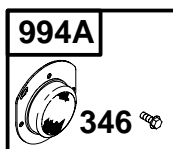
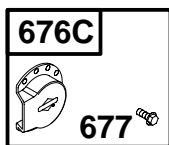
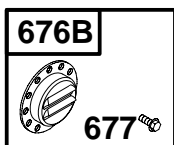
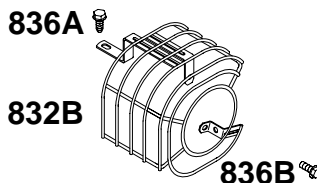
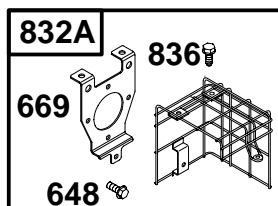
REF. NO.	PART NO.	DESCRIPTION	REF. NO.	PART NO.	DESCRIPTION	REF. NO.	PART NO.	DESCRIPTION
81	691729	Lock-Muffler Screw	613	691351	Screw (Muffler)	676	393757	Deflector-Muffler (Side Out)
300A	691969	Muffler (Super Lo Tone)	613A	691413	Screw (Muffler)	676A	395700	Deflector-Muffler (Direct Out)
300B	494585	Muffler (Standard)	613B	691632	Screw (Muffler)	677	690661	Screw (Muffler Deflector)
300C	390918	Muffler (Lo Tone)	613C	691665	Screw (Muffler)	725A	690466	Shield-Heat
		Note _____	613D	690810	Screw (Muffler)	883	★692237	Gasket-Exhaust
		692304 Muffler (Lo Tone)				981	690408	Brace-Muffler
		Used on Type No(s). 0111, 0112, 0151, 1151.						
300D	496892	Muffler (Round Lo Tone)						

★ Included in Engine Gasket Set-Ref. No. 358.

● Included in Carburetor Overhaul Kit-Ref. No. 121.

∅ Included in Valve Gasket Set-Ref. No. 1095.

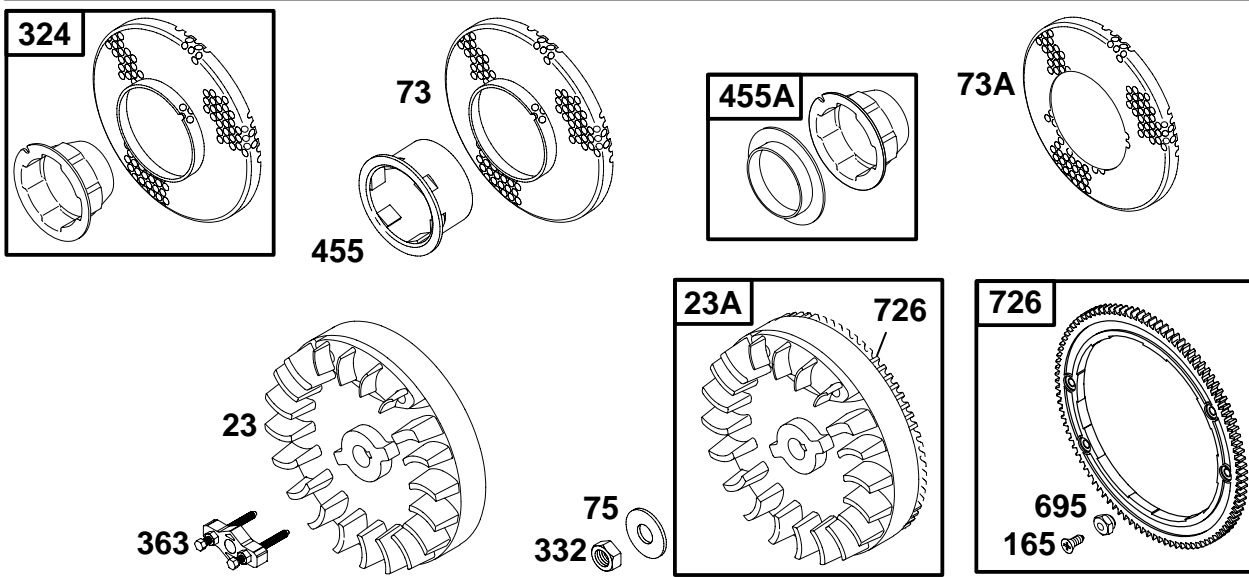
133200 to 133299



REF. NO.	PART NO.	DESCRIPTION	REF. NO.	PART NO.	DESCRIPTION	REF. NO.	PART NO.	DESCRIPTION
346	690661	Screw (Spark Arrestor)	677	690661	Screw (Muffler Deflector)	836	690664	Screw (Muffler Guard))
648	691660	Screw (Muffler Guard Bracket)	832A	490534	Guard-Muffler (Super Lo Tone)	836A	692198	Screw (Muffler Guard)
669	690425	Bracket-Muffler	832B	690625	Guard-Muffler (Lo Tone)	836B	690367	Screw (Muffler Guard)
676B	393758	Deflector-Muffler				994A	399541	Arrestor-Spark
676C	494423	Deflector-Muffler (Side Out, Shallow)						

★ Included in Engine Gasket Set-Ref. No. 358.
● Included in Carburetor Overhaul Kit-Ref. No. 121.

∅ Included in Valve Gasket Set-Ref. No. 1095.



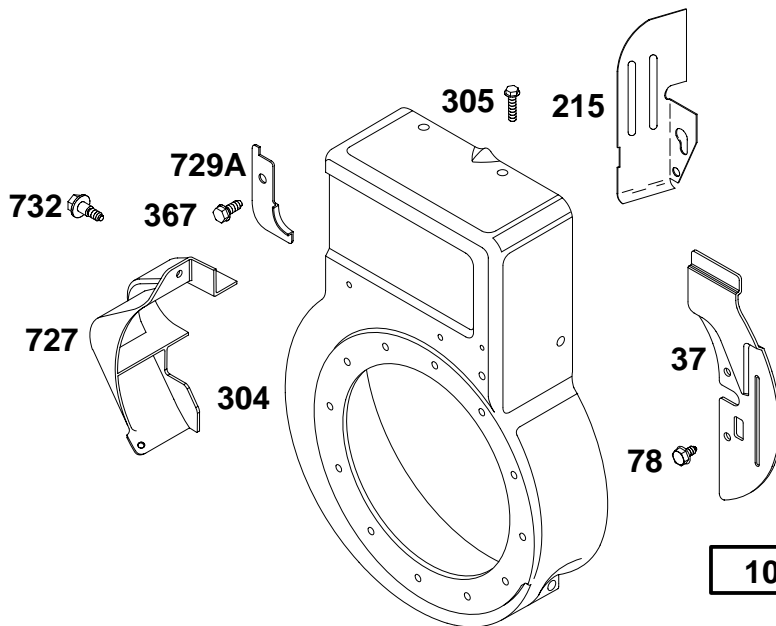
REF. NO.	PART NO.	DESCRIPTION	REF. NO.	PART NO.	DESCRIPTION	REF. NO.	PART NO.	DESCRIPTION
23	399673	Flywheel (Rewind Start)	75	690582	Washer (Flywheel)	455		Cup-Flywheel (For Replacement Flywheel Cup, See Ref 324 for Service) (Used After Code Date 95020200).
23A	690820	Flywheel (Electric Start)	165	693148	Nut (Ring Gear)			Note 224250 Cup-Flywheel (With Ring) (Used Before Code Date 95020300).
73		Screen-Rotating (For Replacement Rotating Screen, See Ref 324 for Service) (Used After Code Date 95020200).	324	695161	Screen/Cup Assembly	455A		Cup-Flywheel (For Replacement Flywheel Cup, See Ref 324 for Service.) (Used After Code Date 95010800).
		Note 224883 Screen-Rotating (Use Straight side Cup Without Ring) (Used Before Code Date 95020300).	332	690662	Nut (Flywheel)			Note 494770 Cup-Flywheel (Without Ring) (Used Before Code Date 95010800).
73A		Screen-Rotating (For Replacement Rotating Screen, See Ref 324 for Service) (Used After Code Date 95010800).	363	19069	Flywheel Puller	695	693149	Screw (Ring Gear)
		Note 224974 Screen Rotating (Used Before Code Date 95010900).				726	495765	Gear-Ring (Includes Mounting Hardware)

★ Included in Engine Gasket Set-Ref. No. 358.

● Included in Carburetor Overhaul Kit-Ref. No. 121.

∅ Included in Valve Gasket Set-Ref. No. 1095.

133200 to 133299



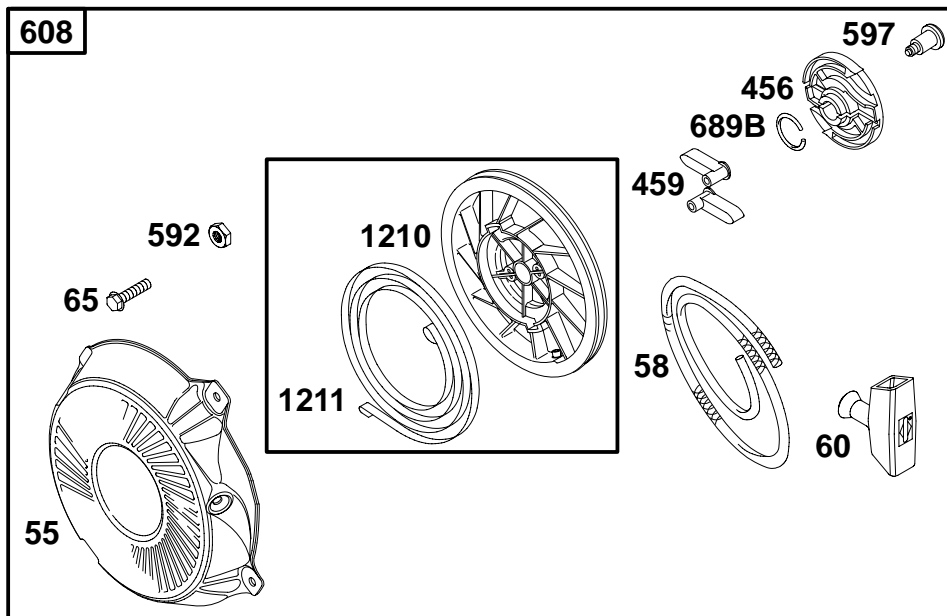
1036 EMISSIONS LABEL

REF. NO.	PART NO.	DESCRIPTION	REF. NO.	PART NO.	DESCRIPTION	REF. NO.	PART NO.	DESCRIPTION
37	691732	Guard–Flywheel	305	692198	Screw (Blower Housing)	1036	695100	Label–Emissions (Used After Code Date 9909300).
78	691660	Screw (Flywheel Guard)	367	691660	Screw (Wire Clip)			Note
215	691745	Guide–Air (Rewind Start Engines)	727	690600	Cover–Starter Drive			694517 Label– Emissions (Used After Code Date 98123100 and Before Code Date 99010100).
		Note	729A	690471	Clip–Wire (Steel)			499345 Label– Emissions (Used After Code Date 97052500 and Before Code Date 99010100).
		690472 Guide–Air (Electric Start Engines)	732	691097	Screw (Starter Drive Cover)			499344 Label– Emissions (Used Before Code Date 97052600).
304	495759	Housing–Blower (Black)(Rewind Start Engines)						
		Note						
		495760 Housing– Blower (Black)(Electric Start Engines)						

★ Included in Engine Gasket Set–Ref. No. 358.

● Included in Carburetor Overhaul Kit–Ref. No. 121.

∅ Included in Valve Gasket Set–Ref. No. 1095.



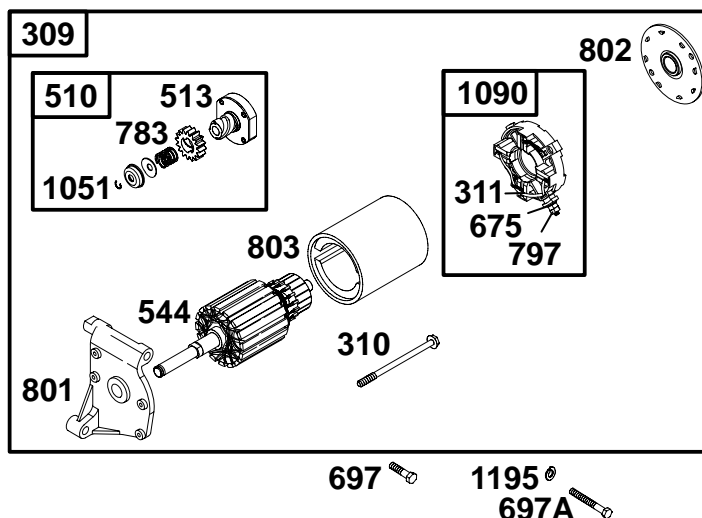
REF. NO.	PART NO.	DESCRIPTION	REF. NO.	PART NO.	DESCRIPTION	REF. NO.	PART NO.	DESCRIPTION
55	691421	Housing–Rewind Starter	456	692299	Plate–Pawl Friction	689B	691855	Spring–Friction (Ratchet Pawl)
58	691921	Rope–Starter (Cut To Required Length)	459	281505	Pawl–Ratchet	1210	498144	Pulley/Spring Assembly (Pulley)
60	691915	Grip–Starter Rope	592	691251	Nut (Rewind Starter)	1211	498144	Pulley/Spring Assembly (Spring)
65	690837	Screw (Rewind Starter)	597	691696	Screw (Pawl Friction Plate)			
			608	497830	Starter–Rewind			

★ Included in Engine Gasket Set–Ref. No. 358.

● Included in Carburetor Overhaul Kit–Ref. No. 121.

∅ Included in Valve Gasket Set–Ref. No. 1095.

133200 to 133299

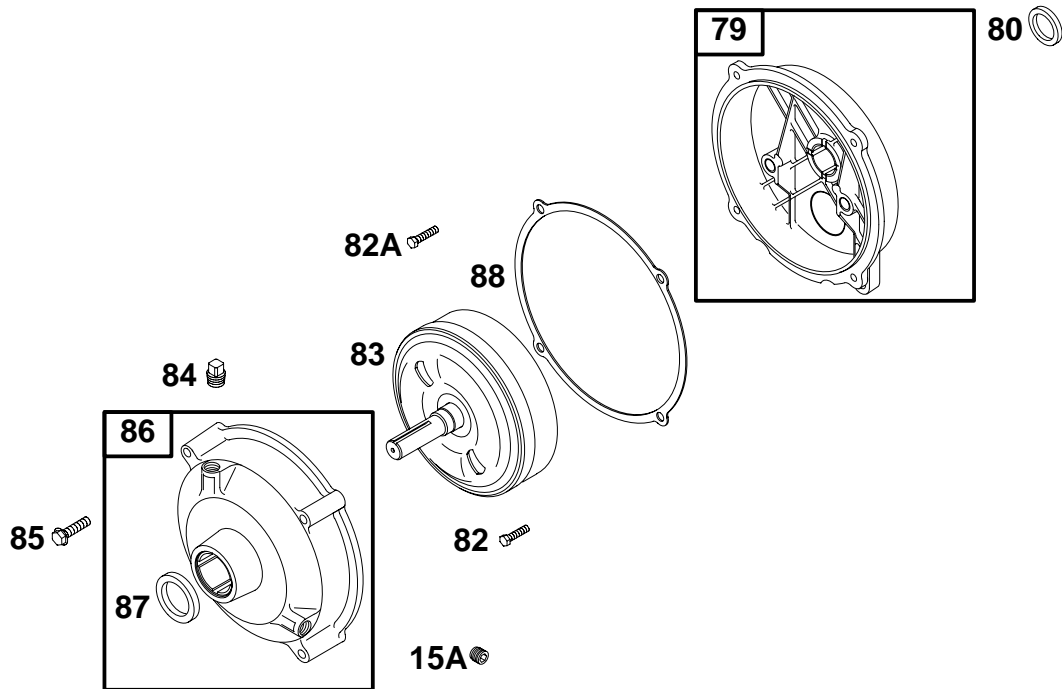


REF. NO.	PART NO.	DESCRIPTION	REF. NO.	PART NO.	DESCRIPTION	REF. NO.	PART NO.	DESCRIPTION
309	690658	Motor-Starter	697	690298	Screw (Drive Cap)	801	690835	Cap-Drive
310	690323	Bolt (Starter Motor)	697A	693972	Screw (Drive Cap)	802	691286	Cap-End
311	395538	Brush Set	783	692353	Gear-Pinion	803	693757	Housing-Starter
510	499308	Drive-Starter	797	691029	Nut (Brush Retainer)	1051	691265	Retainer Ring
513	692024	Clutch-Drive				1090	691293	Retainer Brush
544	692966	Armature-Starter				1195	691075	Washer (Drive Cap)
675	690372	Washer (Brush Retainer)						

★ Included in Engine Gasket Set-Ref. No. 358.

● Included in Carburetor Overhaul Kit-Ref. No. 121.

∅ Included in Valve Gasket Set-Ref. No. 1095.



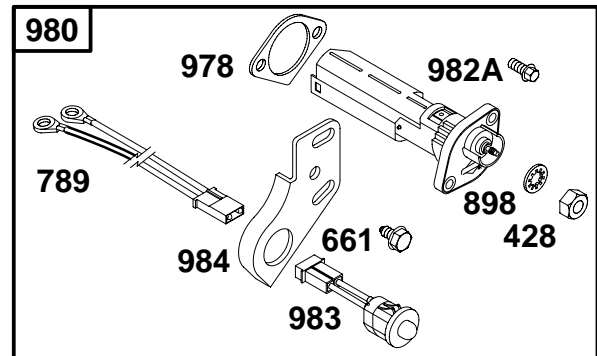
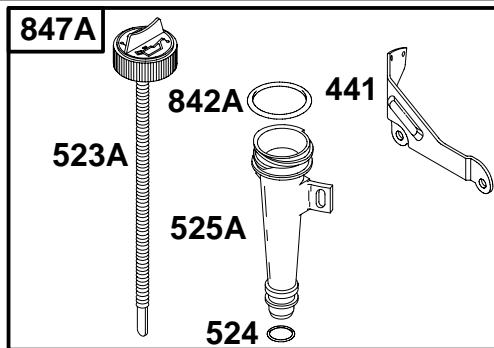
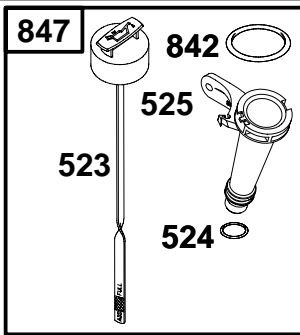
REF. NO.	PART NO.	DESCRIPTION	REF. NO.	PART NO.	DESCRIPTION	REF. NO.	PART NO.	DESCRIPTION
15A	691682	Plug—Oil Drain (Gear Reduction)	82	690369	Screw (Reduction Gear Case)	86	690608	Gear Cover Assembly
20A	692019	Seal—Oil (PTO Side) (Gear Reduction) Used on Type No(s). 0116, 0131, 0159, 1131.	82A	691122	Screw (Reduction Gear Case)	87	691582	Seal—Gear Reduction
79	690605	Case—Gear Reduction	83	690374	Shaft—Auxiliary Drive	88	691600	Gasket—Gear Reduction Cover
80	691602	Gasket—Gear Case	84	691121	Plug—Breather			
			85	691117	Screw (Gear Cover to Gear Reduction)			

★ Included in Engine Gasket Set—Ref. No. 358.

● Included in Carburetor Overhaul Kit—Ref. No. 121.

∅ Included in Valve Gasket Set—Ref. No. 1095.

133200 to 133299

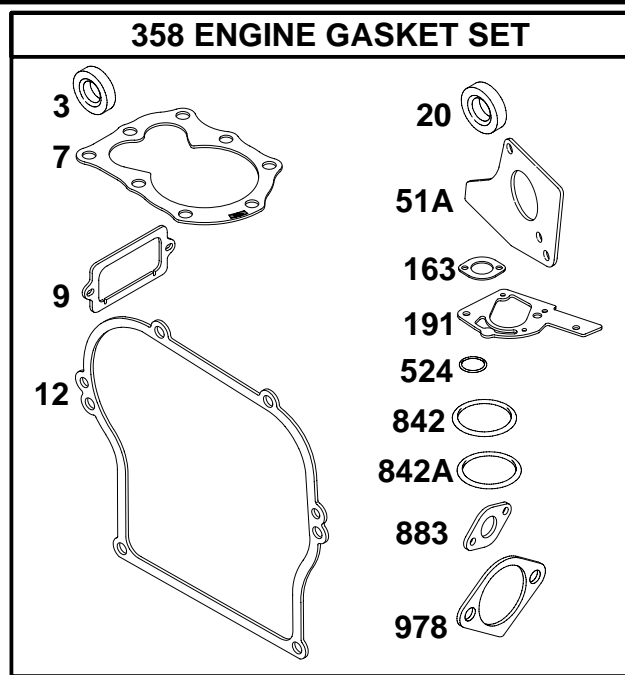


REF. NO.	PART NO.	DESCRIPTION	REF. NO.	PART NO.	DESCRIPTION	REF. NO.	PART NO.	DESCRIPTION
287	691693	Screw (Dipstick Tube)	789	398661	Harness-Wiring	898	691077	Washer (Oil Gard® Kit)
428	691612	Nut (Oil Gard® Kit)	842	★691031	O-Ring Seal (Used After Code Date 99031400).	978	273326	Gasket-Oil Guard®
441	690448	Bracket-Oil Fill	842A	★691870	O-Ring Seal (Used Before Code Date 99031500 and After Code Date 9031400).	980	398182	Kit-Oil Gard®
523	495264	Dipstick	847	694381	Dipstick/Tube Assembly (Without Bracket) (Used After Code Date 99031400).	982A	690350	Screw (Oil Gard® Kit)
523A	691388	Dipstick (Spring) (Used Before Code Date 99031500).	847A	691379	Dipstick/Tube Assembly (With Bracket) (Used Before Code Date 99031500).	983	398660	Light-Indicator
524	★691876	Seal-Dipstick Tube				984	692340	Bracket-Oil Gard® Light (Oil Gard® Kit)
525	694379	Tube-Dipstick For Flat Wire Dipstick (Used After Code Date 99031400).						
525A	694531	Tube-Dipstick (For Spring Dipstick) (Used Before Code Date 99031500).						
661	690661	Screw (Oil Gard® Light Bracket)						

★ Included in Engine Gasket Set-Ref. No. 358.

● Included in Carburetor Overhaul Kit-Ref. No. 121.

∅ Included in Valve Gasket Set-Ref. No. 1095.



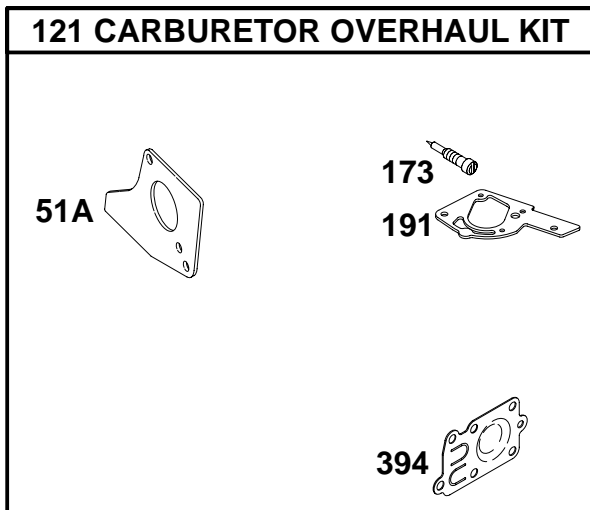
REF. NO.	PART NO.	DESCRIPTION	REF. NO.	PART NO.	DESCRIPTION	REF. NO.	PART NO.	DESCRIPTION
3	★299819	Seal—Oil (Magneto Side)	20	★495307	Seal—Oil (PTO Side)	883	★692237	Gasket—Exhaust
7	★Ø272157	Gasket—Cylinder Head	51A	★273113	Gasket—Intake	978	★273326	Gasket—Oil Gard®
9	★Ø27549	Gasket—Breather	163	★Ø271935	Gasket—Air Cleaner			
12	★692213	Gasket—Crankcase (.015", Standard)	191	★●692241	Gasket—Fuel Tank			
		Note	358	495603	Gasket Set—Engine			
		★270125 Gasket— Crankcase (.005")	524	★691876	Seal—Dipstick Tube			
		★270126 Gasket— Crankcase (.009")	842	★691031	O—Ring Seal (Used After Code Date 99031400)			
			842A	★691870	O—Ring Seal (Used Before Code Date 99031500 and After Code Date 9031400).			

★ Included in Engine Gasket Set—Ref. No. 358.

● Included in Carburetor Overhaul Kit—Ref. No. 121.

Ø Included in Valve Gasket Set—Ref. No. 1095.

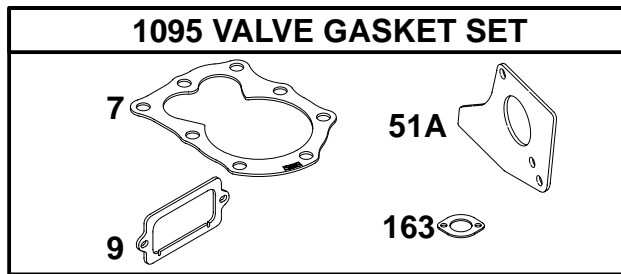
133200 to 133299



REF. NO.	PART NO.	DESCRIPTION	REF. NO.	PART NO.	DESCRIPTION	REF. NO.	PART NO.	DESCRIPTION
51A *	●273113	Gasket-Intake	173	●691777	Valve-Idle Mixture	394	●272538	Diaphragm-Carburetor (Pump)
121	495606	Kit-Carburetor Overhaul	191	★692241	Gasket-Fuel Tank (Pump)			

★ Included in Engine Gasket Set-Ref. No. 358.
 ● Included in Carburetor Overhaul Kit-Ref. No. 121.

∅ Included in Valve Gasket Set-Ref. No. 1095.



REF. NO.	PART NO.	DESCRIPTION	REF. NO.	PART NO.	DESCRIPTION	REF. NO.	PART NO.	DESCRIPTION
7	★Ø272157	Gasket-Cylinder Head	51A	★●Ø231113	Gasket-Intake	1095	498529	Gasket Set-Valve
9	★Ø27549	Gasket-Breather	163	★Ø271935	Gasket-Air Cleaner			

★ Included in Engine Gasket Set-Ref. No. 358.

● Included in Carburetor Overhaul Kit-Ref. No. 121.

Ø Included in Valve Gasket Set-Ref. No. 1095.