

Illustrated Parts List

Model Series

134200 to 134299

TYPE NUMBERS
0114, 1114, 1115,
1118, 1119.

TO FIND
THE CORRECT NUMBER OF THE PART YOU NEED:
FOLLOW THE INSTRUCTIONS BELOW

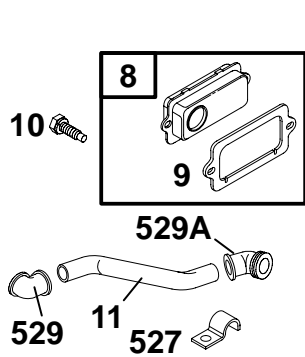
- A. Refer to Engine Model, Type and Code Number that is stamped on the blower housing of engine. Engine type numbers such as 0123 01 are listed only as 0123 in most instances. The two digits (01 or 02, etc.) to the right of the space may be required for more accurate parts identification in some instances. Select the Illustrated Parts List covering the correct Model Series and Type Number.
- B. Refer to the Illustrations and compare the original part with Illustration. The number next to the illustration is the Reference Number. Assemblies include all parts shown in frames. All parts shown in assembly frames having individual reference numbers can be purchased separately.
- C. After the Reference Number has been identified, refer to the Numerical text, where Reference and Primary Part Number are listed. **THE PRIMARY PART IS USED ON ALL TYPE NUMBERS EXCEPT THOSE TYPE NUMBERS UNDER "NOTE."**
- D. If a "Note" appears below the Primary Part Number, it means that this part differs from the Primary Part for certain types. If your Type number is listed under "Note," order the part referred to at the "Note."
- E. If your Engine Type Number does not appear after any part number listed under "Note," use the Primary Part Number.
- F. For Engine Type Numbers not covered by this book, check other Parts Lists having the same engine model or contact your source of supply.

PRINTED IN U.S.A.



COPYRIGHT by BRIGGS & STRATTON CORPORATION
All rights reserved. No part of this material may be reproduced or transmitted, in any form or by any means, electronic or mechanical, including photocopying, recording or by any information storage and retrieval system, without permission in writing from Briggs & Stratton Corporation.

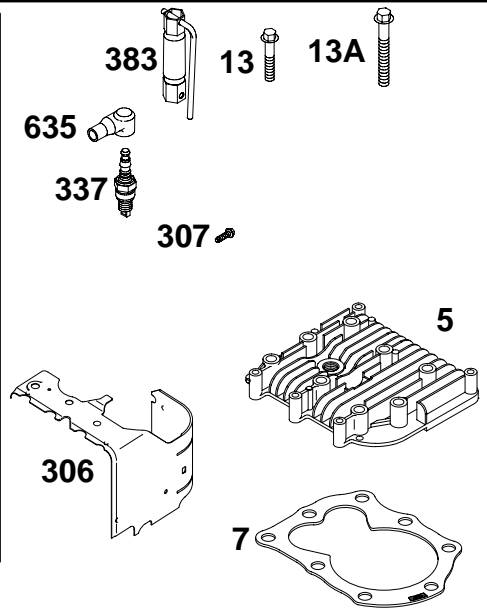
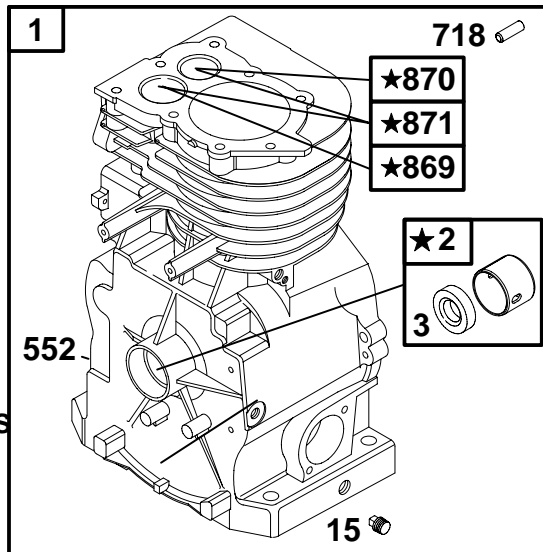
134200 to 134299



★ **REQUIRES SPECIAL TOOLS TO INSTALL. SEE REPAIR INSTRUCTION MANUAL.**

1019 LABEL KIT

1058 OWNER'S MANUAL

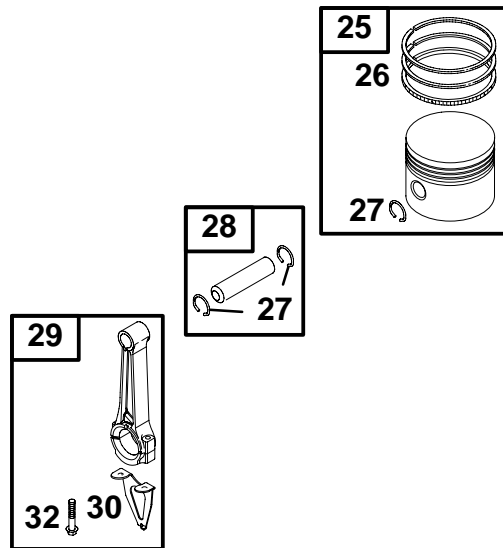


REF. NO.	PART NO.	DESCRIPTION	REF. NO.	PART NO.	DESCRIPTION	REF. NO.	PART NO.	DESCRIPTION
1	495133	Cylinder Assembly	13A	691659	Screw (Cylinder Head)	869	691705	Seat-Valve (Intake)
2	399269	Kit-Bushing/Seat (Magneto Side)	15	691686	Plug-Oil Drain	870	691856	Seat-Valve (Exhaust)
3	★299819	Seal-Oil (Magneto Side)	306	694514	Shield-Cylinder	871	262001	Bushing-Valve Guide (Exhaust)
5	691716	Head-Cylinder	307	691660	Screw (Cylinder Shield)	Note		
7	★Ø272157	Gasket-Cylinder Head	337	802592	Plug-Spark	63709 Bushing-Valve Guide (Intake)		
8	495774	Breather Assembly	383	89838	Wrench-Spark Plug	1019	491102	Kit-Label
9	★Ø27549	Gasket-Breather	527	691741	Clamp-Tube	1058	273679	Owner's Manual
10	691666	Screw (Breather Assembly)	529	692189	Grommet (90 Degree)			
11	231550	Tube-Breather	529A	692187	Grommet (120 Degree)			
13	691640	Screw (Cylinder Head)	552	690508	Bushing-Governor Crank			
			635	66538	Boot-Spark Plug			
			718	690959	Pin-Locating			

★ Included in Engine Gasket Set-Ref. 358.

● Included in Carburetor Overhaul Kit-Ref. 121.

Ø Included in Valve Overhaul Gasket Set-Ref. 1095.

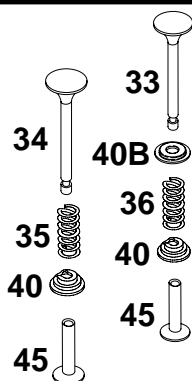


REF. NO.	PART NO.	DESCRIPTION	REF. NO.	PART NO.	DESCRIPTION	REF. NO.	PART NO.	DESCRIPTION
25	393819	Piston Assembly (Standard) Note 393820 Piston Assembly (.010" Oversize) 393821 Piston Assembly (.020" Oversize) 393822 Piston Assembly (.030" Oversize)	26	399067	Ring Set (Standard) Note 399014 Ring Set (.010" Oversize) 399015 Ring Set (.020" Oversize) 399016 Ring Set (.030" Oversize)	28	298909	Pin-Piston (Standard) Note 298908 Pin-Piston (.005" Oversize)
			27	691588	Lock-Piston Pin	29	299430	Rod-Connecting (Standard) Note 390459 Rod-Connecting (.020" Undersize)
						30	691759	Dipper-Connecting Rod
						32	691664	Screw (Connecting Rod)

★ Included in Engine Gasket Set-Ref. 358.
● Included in Carburetor Overhaul Kit-Ref. 121.

∅ Included in Valve Overhaul Gasket Set-Ref. 1095.

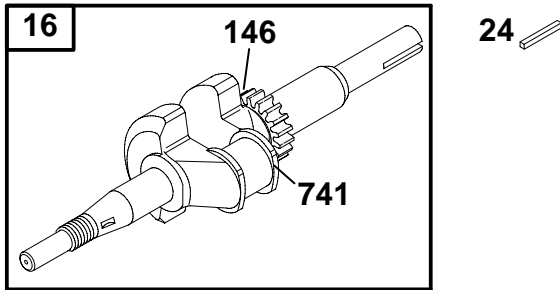
134200 to 134299



REF. NO.	PART NO.	DESCRIPTION	REF. NO.	PART NO.	DESCRIPTION	REF. NO.	PART NO.	DESCRIPTION
33	211119	Valve-Exhaust	36	692180	Spring-Valve (Exhaust)	45	690509	Tappet-Valve
34	261044	Valve-Intake	40	692194	Retainer-Valve (Intake/Exhaust)			
35	690520	Spring-Valve (Intake)	40B	691760	Retainer-Valve (Exhaust)			

★ Included in Engine Gasket Set-Ref. 358.
 ● Included in Carburetor Overhaul Kit-Ref. 121.

∅ Included in Valve Overhaul Gasket Set-Ref. 1095.



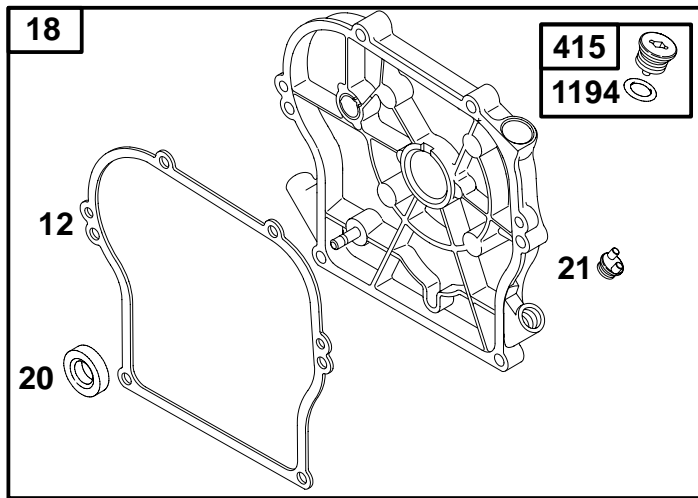
REF. NO.	PART NO.	DESCRIPTION	REF. NO.	PART NO.	DESCRIPTION	REF. NO.	PART NO.	DESCRIPTION
16	492088	Crankshaft	146	690979	Key-Timing (Used With Timing Gear 262992)	741	691847	Gear-Timing (Uses Woodruff Key)
24	222698	Key-Flywheel						

★ Included in Engine Gasket Set-Ref. 358.
 ● Included in Carburetor Overhaul Kit-Ref. 121.

∅ Included in Valve Overhaul Gasket Set-Ref. 1095.

134200 to 134299

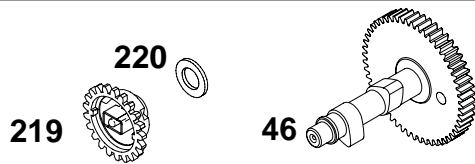
★ **REQUIRES SPECIAL TOOLS TO INSTALL. SEE REPAIR INSTRUCTION MANUAL.**



REF. NO.	PART NO.	DESCRIPTION	REF. NO.	PART NO.	DESCRIPTION	REF. NO.	PART NO.	DESCRIPTION
12	★692213	Gasket-Crankcase (.015" Thick) (Standard)	18	694350	Cover-Crankcase	170	691120	Stud (Crankcase Cover)
		Note	20	★294606	Seal-Oil (PTO Side)	415	691363	Plug
		★270125 Gasket-Crankcase (.005" Thick)	21	281658	Cap-Oil Fill	1194	★691876	Seal-O Ring (Plug)
		★270126 Gasket-Crankcase (.009" Thick)	22	691662	Screw (Crankcase Cover)			

★ Included in Engine Gasket Set-Ref. 358.
● Included in Carburetor Overhaul Kit-Ref. 121.

∅ Included in Valve Overhaul Gasket Set-Ref. 1095.

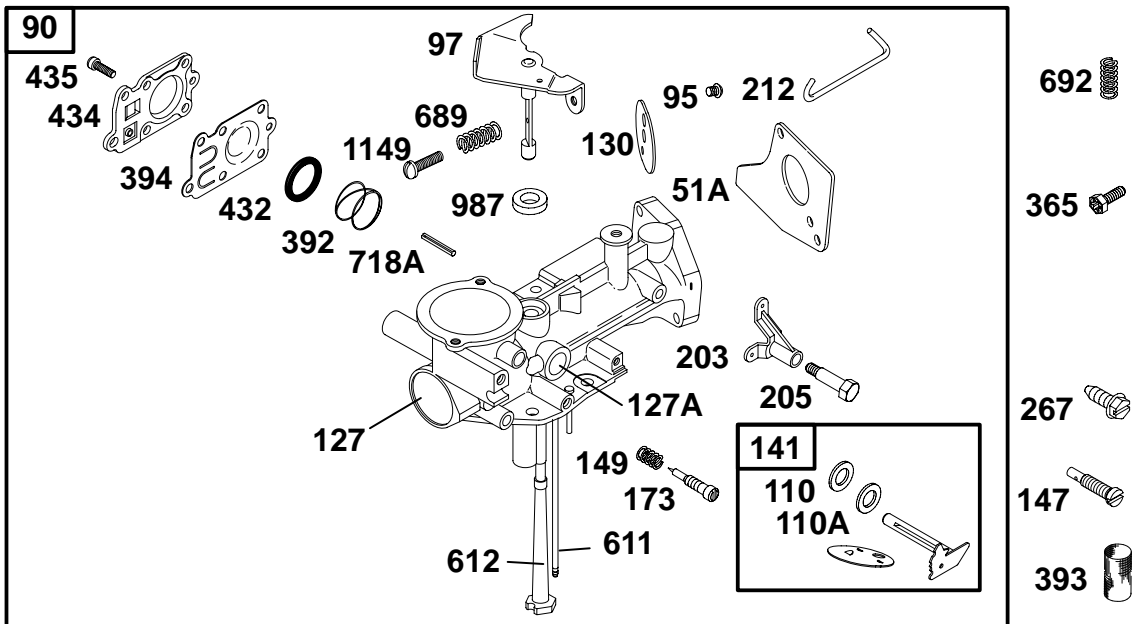


REF. NO.	PART NO.	DESCRIPTION	REF. NO.	PART NO.	DESCRIPTION	REF. NO.	PART NO.	DESCRIPTION
46	691164	Camshaft	219	494845	Gear-Governor	220	691724	Washer (Governor Gear)

★ Included in Engine Gasket Set-Ref. 358.
 ● Included in Carburetor Overhaul Kit-Ref. 121.

∅ Included in Valve Overhaul Gasket Set-Ref. 1095.

134200 to 134299

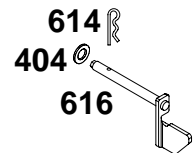
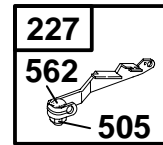
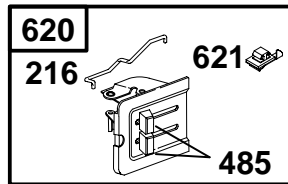


REF. NO.	PART NO.	DESCRIPTION	REF. NO.	PART NO.	DESCRIPTION	REF. NO.	PART NO.	DESCRIPTION
51A	★273113	Gasket—Intake	149	691592	Spring—Needle Valve	394	●272538	Diaphragm—Carburetor
90	498298	Carburetor	173	●691777	Valve—Idle Mixture	432	690766	Cap—Spring
95	691437	Screw (Throttle Valve)	203	691906	Crank—Bell (Standard, Nylon)	434	691713	Cover—Diaphragm
97	692325	Shaft—Throttle	205	691776	Screw (Bell Crank)	435	691619	Screw (Diaphragm Cover)
110	691869	Washer (Choke Shaft) (Felt)	212	691812	Throttle Link (Control Side)	611	691770	Pipe—Fuel
110A	690401	Washer (Choke Shaft) (Brass)	267	691082	Screw (Casing Clamp)	612	391813	Tube—Pick—Up (Uses Clip Spring)
127	691718	Plug—Welch	365	690953	Screw (Carburetor)	689	691783	Spring—Friction (Idle Screw)
127A	691742	Plug—Welch	392	691823	Spring—Pump Diaphragm	692	690572	Spring—Detent
130	691743	Valve—Throttle	393	691213	Screen—Carburetor	718A	690296	Pin—Locating (Pump Cover)
141	497230	Kit—Choke Shaft				987	695273	Seal—Throttle Shaft
147	691250	Jet—Pilot (Standard)				1149	691624	Screw (Throttle Shaft)
	Note							
		692725 Jet—Pilot (High Altitude)						

★ Included in Engine Gasket Set—Ref. 358.

● Included in Carburetor Overhaul Kit—Ref. 121.

∅ Included in Valve Overhaul Gasket Set—Ref. 1095.



1209

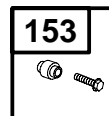
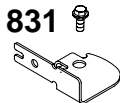
REF. NO.	PART NO.	DESCRIPTION	REF. NO.	PART NO.	DESCRIPTION	REF. NO.	PART NO.	DESCRIPTION
216	691824	Link-Choke (Manual)	505	691251	Nut (Governor Control Lever)	616	692016	Crank-Governor
227	690653	Lever-Governor Control	562	691119	Bolt (Governor Control Lever)	620	490649	Panel-Speed Control
404	691691	Washer (Governor Crank)	614	691620	Pin-Cotter	621	692310	Switch-Stop
485	692295	Knob-Control (Slide)				1209	692200	Screw (Speed Control Panel)

★ Included in Engine Gasket Set-Ref. 358.
 ● Included in Carburetor Overhaul Kit-Ref. 121.

∅ Included in Valve Overhaul Gasket Set-Ref. 1095.

134200 to 134299

208



202



410



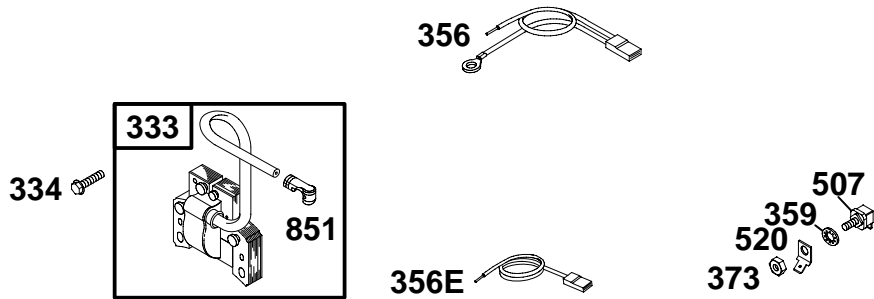
203A



REF. NO.	PART NO.	DESCRIPTION	REF. NO.	PART NO.	DESCRIPTION	REF. NO.	PART NO.	DESCRIPTION
153	690503	Collar–Bell Crank	205A	690320	Screw (Bell Crank)	414	691721	Washer (Bell Crank)
		Note	208	691813	Rod–Governor Control (Manual)	542	691683	Screw (Link Bracket)
		490589 Collar–Bell Crank Used on Type No(s). 0114.	266	691414	Control–Throttle (Remote Governor/ Idle)	779	691828	Link–Bell Crank
202	691814	Link–Mechanical Governor	410	691274	Link–Control	780	691211	Anchor–Spring
203A	691744	Crank–Bell (Steel)				831	691099	Screw (Spring Anchor)
						995	691756	Bracket–Link
						1012	490507	Retainer–Link

★ Included in Engine Gasket Set–Ref. 358.
● Included in Carburetor Overhaul Kit–Ref. 121.

∅ Included in Valve Overhaul Gasket Set–Ref. 1095.

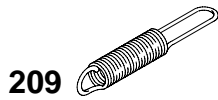


REF. NO.	PART NO.	DESCRIPTION	REF. NO.	PART NO.	DESCRIPTION	REF. NO.	PART NO.	DESCRIPTION
333	397358	Armature-Magneto	359	691077	Washer (Ground Terminal)	507	691972	Insulator
334	691621	Screw (Magneto Armature)	373	691612	Nut (Ground Terminal)	520	691084	Terminal-Ground
356	398808	Wire-Stop (2 Wire, Ring Terminal, Bare Wire End and Insulated Male Blade Terminal.)				851	493880	Terminal-Spark Plug
356E	692390	Wire-Stop (1 Wire, Bare Wire End and Insulated Male Blade Terminal)						

★ Included in Engine Gasket Set-Ref. 358.
● Included in Carburetor Overhaul Kit-Ref. 121.

∅ Included in Valve Overhaul Gasket Set-Ref. 1095.

134200 to 134299



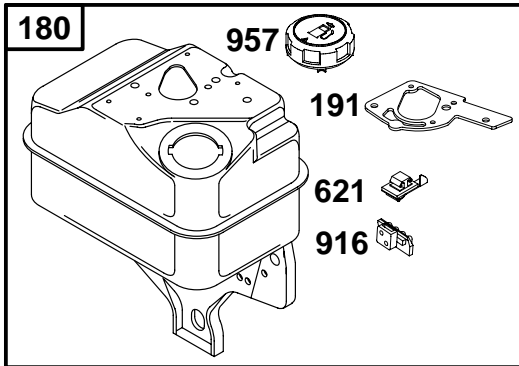
REF. NO.	PART NO.	DESCRIPTION	REF. NO.	PART NO.	DESCRIPTION	REF. NO.	PART NO.	DESCRIPTION
209	690376	Spring-Governor (Red) Note 691845 Spring-Governor (Silver) Used on Type No(s). 1114, 1118, 1119. 691816 Spring-Governor (Black) Used on Type No(s). 0114.						
211	691850	Spring-Governed Idle						

★ Included in Engine Gasket Set-Ref. 358.
● Included in Carburetor Overhaul Kit-Ref. 121.

∅ Included in Valve Overhaul Gasket Set-Ref. 1095.

190A 

190B 

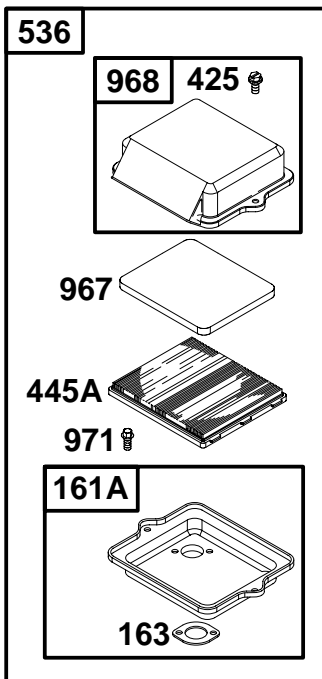


REF. NO.	PART NO.	DESCRIPTION	REF. NO.	PART NO.	DESCRIPTION	REF. NO.	PART NO.	DESCRIPTION
180	694315	Tank–Fuel (Metal, 3 Quart)	191	★●692241	Gasket–Fuel Tank	916	691900	Rack–Governor Gear
190A	691687	Screw (Fuel Tank)	621	692310	Switch–Stop	957	494559	Cap–Fuel Tank (Plastic)
190B	691685	Screw (Fuel Tank)						

★ Included in Engine Gasket Set–Ref. 358.
● Included in Carburetor Overhaul Kit–Ref. 121.

∅ Included in Valve Overhaul Gasket Set–Ref. 1095.

134200 to 134299

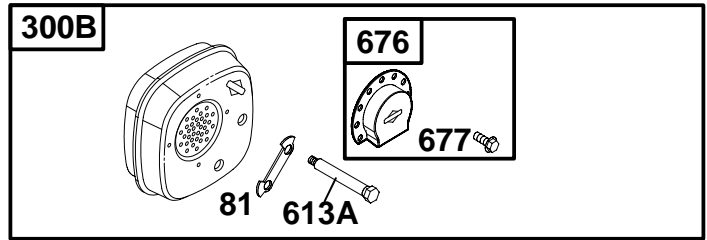


REF. NO.	PART NO.	DESCRIPTION	REF. NO.	PART NO.	DESCRIPTION	REF. NO.	PART NO.	DESCRIPTION
161A	694484	Base—Air Cleaner (Metal)	445A	491588	Filter—Air Cleaner Cartridge	968	692321	Cover—Air Cleaner
163	★Ø271935	Gasket—Air Cleaner	536	494279	Cleaner—Air	971	690859	Screw (Air Cleaner Base)
425	694515	Screw (Air Cleaner Cover)	967	491435	Filter—Pre Cleaner			

★ Included in Engine Gasket Set—Ref. 358.

● Included in Carburetor Overhaul Kit—Ref. 121.

Ø Included in Valve Overhaul Gasket Set—Ref. 1095.

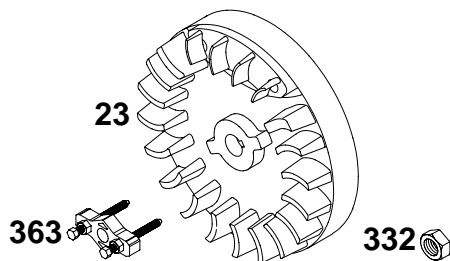
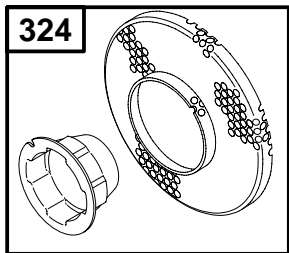


REF. NO.	PART NO.	DESCRIPTION	REF. NO.	PART NO.	DESCRIPTION	REF. NO.	PART NO.	DESCRIPTION
81	691729	Lock-Muffler Screw	613A	691413	Screw (Muffler)	677	690661	Screw (Muffler Deflector)
300B	494585	Muffler	676	393757	Deflector-Muffler			

★ Included in Engine Gasket Set-Ref. 358.
 ● Included in Carburetor Overhaul Kit-Ref. 121.

∅ Included in Valve Overhaul Gasket Set-Ref. 1095.

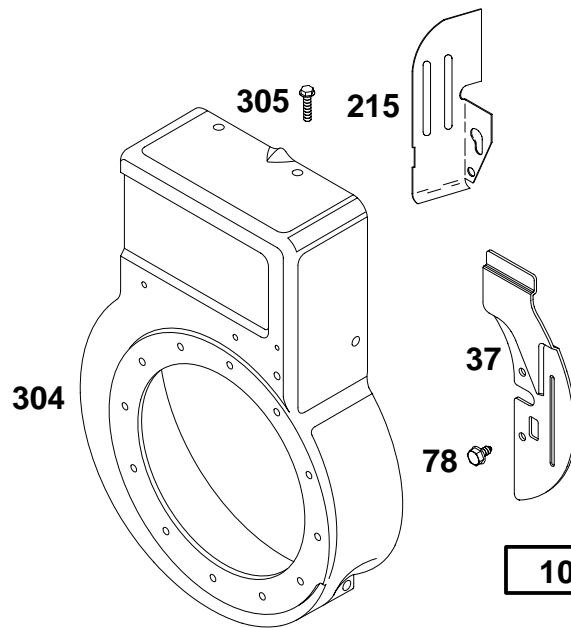
134200 to 134299



REF. NO.	PART NO.	DESCRIPTION	REF. NO.	PART NO.	DESCRIPTION	REF. NO.	PART NO.	DESCRIPTION
23	399673	Flywheel	332	690662	Nut (Flywheel)	363	19069	Puller-Flywheel
324	695161	Screen/Cup Assembly						

★ Included in Engine Gasket Set-Ref. 358.
 ● Included in Carburetor Overhaul Kit-Ref. 121.

∅ Included in Valve Overhaul Gasket Set-Ref. 1095.

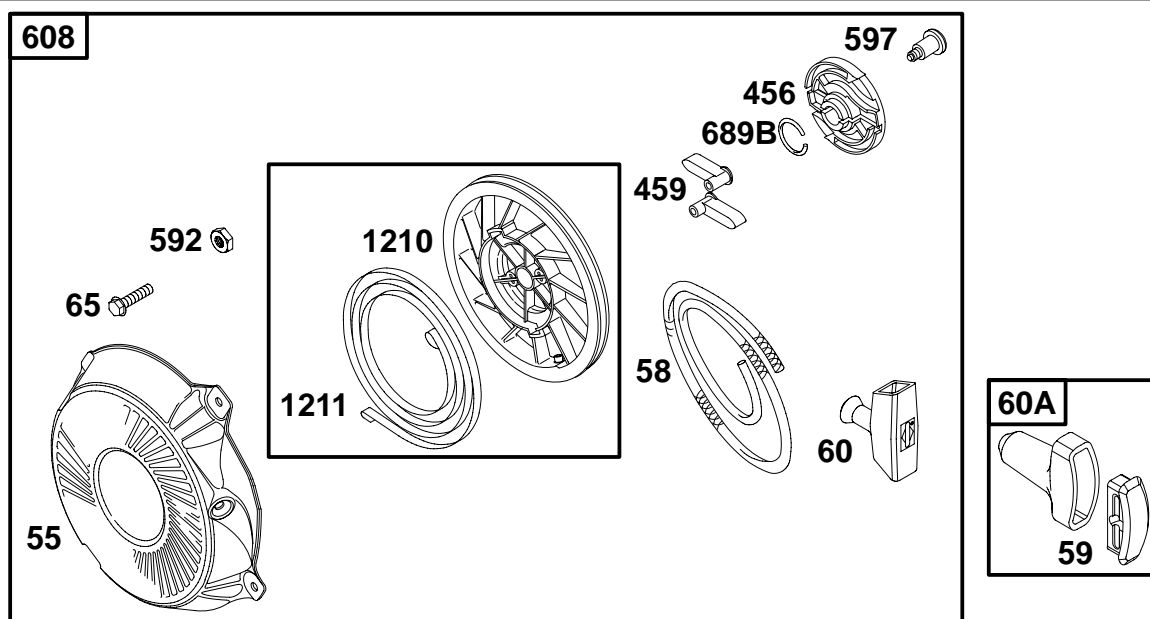


REF. NO.	PART NO.	DESCRIPTION	REF. NO.	PART NO.	DESCRIPTION	REF. NO.	PART NO.	DESCRIPTION
37	691732	Guard-Flywheel	304	495759	Housing-Blower (Black)	1036	695100	Label-Emissions (Used After Code Date 9909300).
78	691660	Screw (Flywheel Guard)	305	692198	Screw (Blower Housing)			Note
215	691745	Guide-Air						694517 Label-Emissions (Used Before Code Date 99100100 and After Code Date 98123100).
								499345 Label-Emissions (Used Before Code Date 99010100).

★ Included in Engine Gasket Set-Ref. 358.
 ● Included in Carburetor Overhaul Kit-Ref. 121.

∅ Included in Valve Overhaul Gasket Set-Ref. 1095.

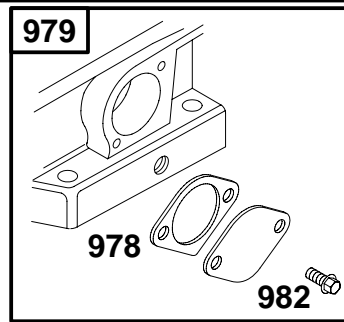
134200 to 134299



REF. NO.	PART NO.	DESCRIPTION	REF. NO.	PART NO.	DESCRIPTION	REF. NO.	PART NO.	DESCRIPTION
55	691421	Housing–Rewind Starter	65	690837	Screw (Rewind Starter)	608	497830	Starter–Rewind
58	691921	Rope–Starter (Cut To Required Length)	456	692299	Plate–Pawl Friction	689B	691855	Spring–Friction (Ratchet Pawl)
59	396892	Insert–Grip	459	281505	Pawl–Ratchet	1210	498144	Pulley/Spring Assembly (Pulley)
60	691915	Grip–Starter Rope	592	690800	Nut (Rewind Starter)	1211	498144	Pulley/Spring Assembly (Spring)
60A	393152	Grip–Starter Rope	597	691696	Screw (Pawl Friction Plate)			

★ Included in Engine Gasket Set–Ref. 358.
● Included in Carburetor Overhaul Kit–Ref. 121.

∅ Included in Valve Overhaul Gasket Set–Ref. 1095.

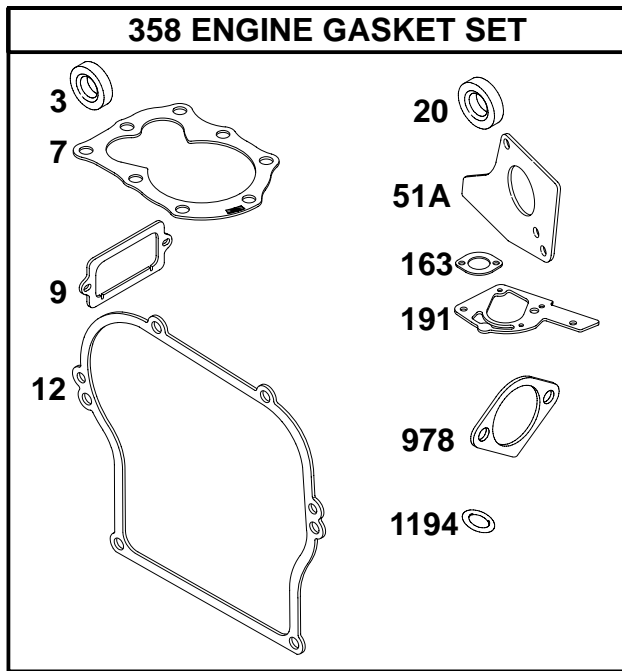


REF. NO.	PART NO.	DESCRIPTION	REF. NO.	PART NO.	DESCRIPTION	REF. NO.	PART NO.	DESCRIPTION
978	*273326	Gasket–Oil Gard®	979	691382	Cover–Oil Gard®	982	690351	Screw (Oil Gard® Cover)

★ Included in Engine Gasket Set–Ref. 358.
 ● Included in Carburetor Overhaul Kit–Ref. 121.

∅ Included in Valve Overhaul Gasket Set–Ref. 1095.

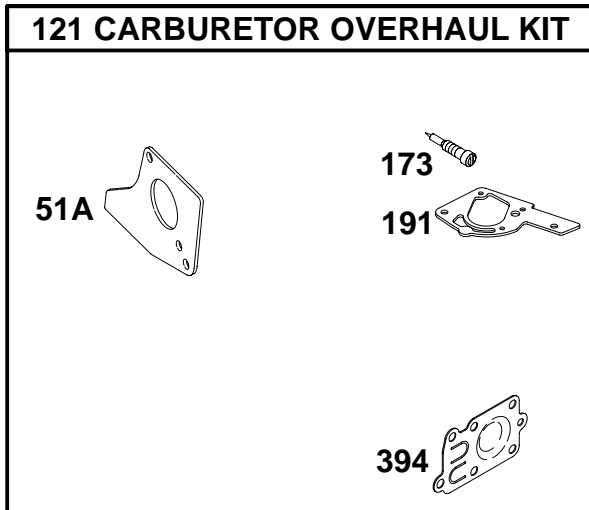
134200 to 134299



REF. NO.	PART NO.	DESCRIPTION	REF. NO.	PART NO.	DESCRIPTION	REF. NO.	PART NO.	DESCRIPTION
3	★299819	Seal—Oil (Magneto Side)	20	★294606	Seal—Oil (PTO Side)	358	495603	Gasket Set—Engine
7	★Ø272157	Gasket—Cylinder Head	51A	★Ø●273113	Gasket—Intake	978	★273326	Gasket—Oil Gard®
9	★Ø27549	Gasket—Breather	163	★Ø271935	Gasket—Air Cleaner	1194	★691876	Seal—O Ring (Plug)
12	★692213	Gasket—Crankcase (.015" Thick) (Standard)	191	★●692241	Gasket—Fuel Tank			
<p align="center">Note ———</p> <p>★270125 Gasket—Crankcase (.005" Thick)</p> <p>★270126 Gasket—Crankcase (.009" Thick)</p>								

★ Included in Engine Gasket Set—Ref. 358.
● Included in Carburetor Overhaul Kit—Ref. 121.

Ø Included in Valve Overhaul Gasket Set—Ref. 1095.

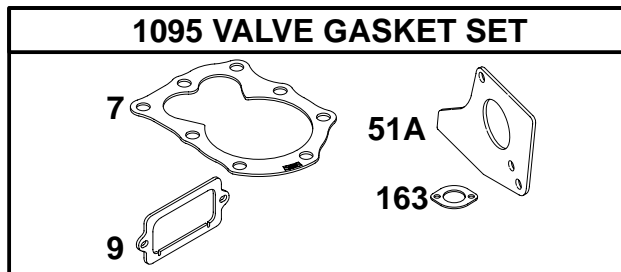


REF. NO.	PART NO.	DESCRIPTION	REF. NO.	PART NO.	DESCRIPTION	REF. NO.	PART NO.	DESCRIPTION
51A★	●273113	Gasket-Intake	173	●691777	Valve-Idle Mixture	394	●272538	Diaphragm-Carburetor
121	495606	Kit-Carburetor Overhaul	191	★692241	Gasket-Fuel Tank			

★ Included in Engine Gasket Set-Ref. 358.
● Included in Carburetor Overhaul Kit-Ref. 121.

∅ Included in Valve Overhaul Gasket Set-Ref. 1095.

134200 to 134299



REF. NO.	PART NO.	DESCRIPTION	REF. NO.	PART NO.	DESCRIPTION	REF. NO.	PART NO.	DESCRIPTION
7	★Ø272157	Gasket-Cylinder Head	51A	★Ø●273113	Gasket-Intake	1095	498529	Gasket Set-Valve
9	★Ø27549	Gasket-Breather	163	★Ø271935	Gasket-Air Cleaner			

★ Included in Engine Gasket Set-Ref. 358.

● Included in Carburetor Overhaul Kit-Ref. 121.

Ø Included in Valve Overhaul Gasket Set-Ref. 1095.