

Illustrated Parts List

Model Series

135700 to 135799

TYPE NUMBERS
0003, 0015, 0016,
0017, 0019, 0100,
0102, 0105, 0116,
0117, 0118, 0125,
0126.

TO FIND
THE CORRECT NUMBER OF THE PART YOU NEED:
FOLLOW THE INSTRUCTIONS BELOW

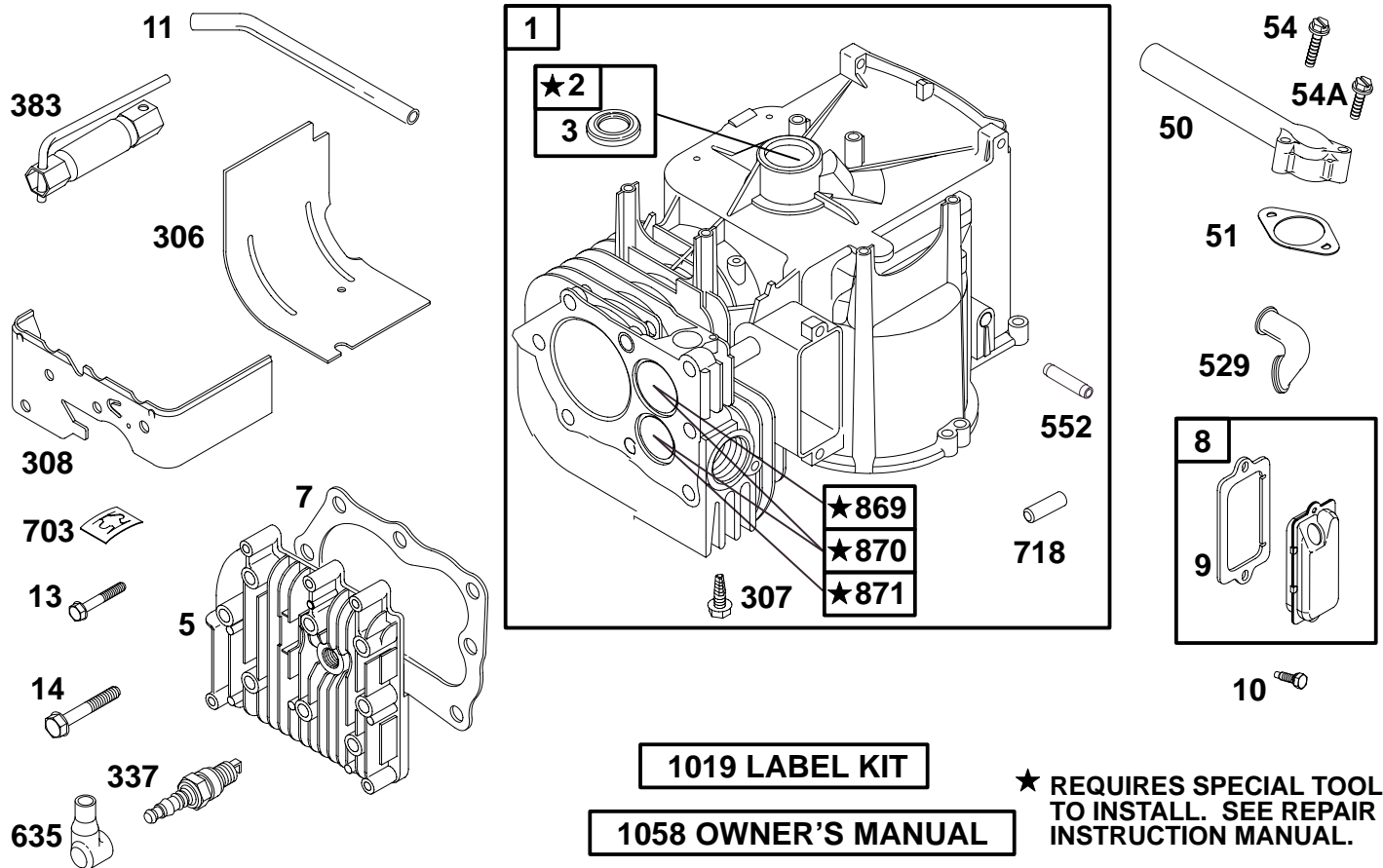
- A. Refer to Engine Model, Type and Code Number that is stamped on the blower housing of engine. Engine type numbers such as 0123 01 are listed only as 0123 in most instances. The two digits (01 or 02, etc.) to the right of the space may be required for more accurate parts identification in some instances. Select the Illustrated Parts List covering the correct Model Series and Type Number.
- B. Refer to the Illustrations and compare the original part with Illustration. The number next to the illustration is the Reference Number. Assemblies include all parts shown in frames. All parts shown in assembly frames having individual reference numbers can be purchased separately.
- C. After the Reference Number has been identified, refer to the Numerical text, where Reference and Primary Part Number are listed. **THE PRIMARY PART IS USED ON ALL TYPE NUMBERS EXCEPT THOSE TYPE NUMBERS UNDER "NOTE."**
- D. If a "Note" appears below the Primary Part Number, it means that this part differs from the Primary Part for certain types. If your Type number is listed under "Note," order the part referred to at the "Note."
- E. If your Engine Type Number does not appear after any part number listed under "Note," use the Primary Part Number.
- F. For Engine Type Numbers not covered by this book, check other Parts Lists having the same engine model or contact your source of supply.

PRINTED IN U.S.A.



COPYRIGHT by BRIGGS & STRATTON CORPORATION
All rights reserved. No part of this material may be reproduced or transmitted, in any form or by any means, electronic or mechanical, including photocopying, recording or by any information storage and retrieval system, without permission in writing from Briggs & Stratton Corporation.

135700 to 135799



1019 LABEL KIT

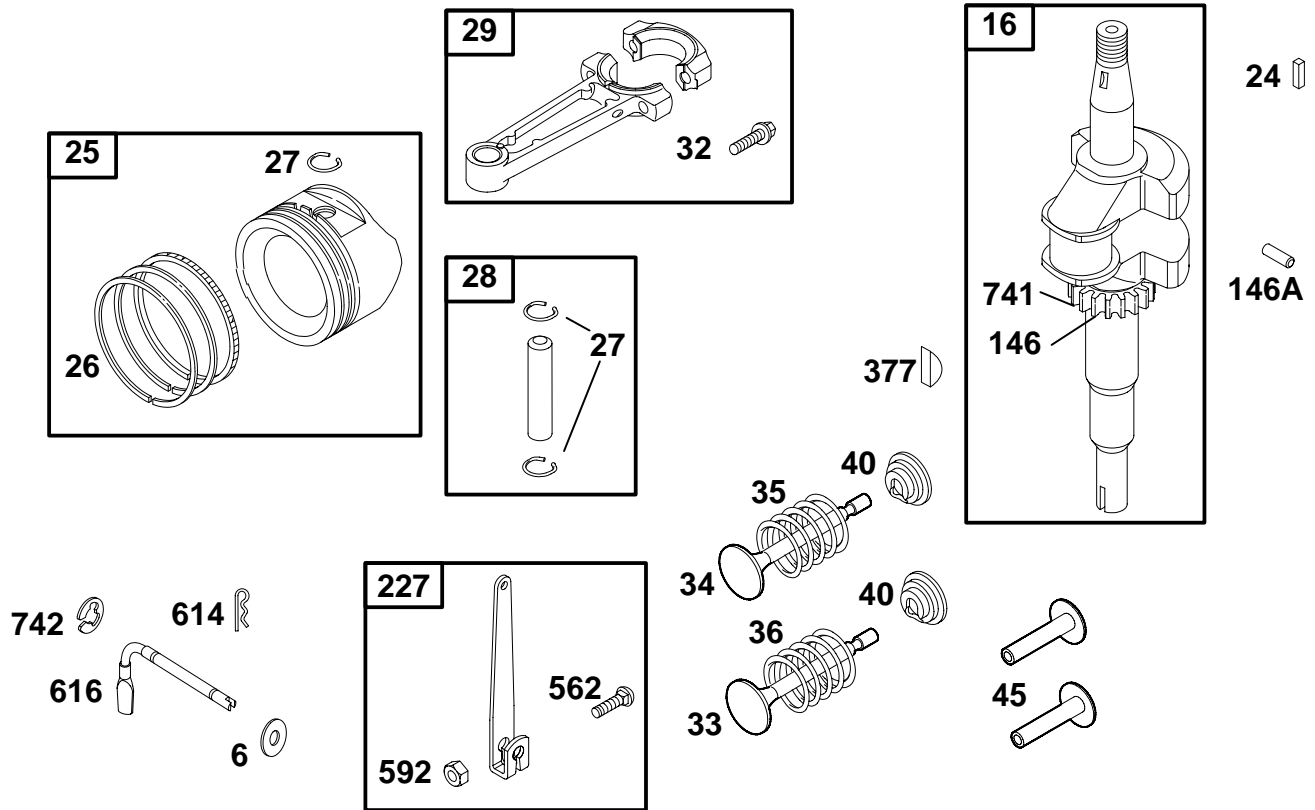
1058 OWNER'S MANUAL

★ **REQUIRES SPECIAL TOOLS TO INSTALL. SEE REPAIR INSTRUCTION MANUAL.**

REF. NO.	PART NO.	DESCRIPTION	REF. NO.	PART NO.	DESCRIPTION	REF. NO.	PART NO.	DESCRIPTION
1	496485	Cylinder Assembly	51	★270070	Gasket-Intake	703	93376	Clip
2	297565	Bushing	54	93367	Screw-Hex.	718	230192	Pin-Locating
3	★299819	Seal-Oil	54A	93512	Screw-Hex.	869	211787	Seat-Valve (Intake)
5	214040	Head-Cylinder	306	223804	Shield-Cylinder	870	211172	Seat-Valve (Exhaust)
7	∅★272157	Gasket-Cylinder Head	307	94680	Screw-Hex.	871	262001	Bushing-Guide (Exhaust)
8	495758	Breather Assembly	308	224876	Cover-Cylinder			
9	∅★27549	Gasket-Breather	337	802592	Plug-Spark (Resistor Type)			
10	94719	Screw-Hex.	383	89838	Wrench-Spark Plug			
11	231879	Tube-Breather	529	67738	Grommet			
13	94221	Screw-Hex. (2 3/32" Long)	552	231078	Bushing-Governor Crank			
14	94679	Screw-Hex. (2 15/32" Long)	635	66538	Boot-Spark Plug	1019	496660	Label Kit
50	490193	Manifold-Intake				1058	272704	Owner's Manual
								Note 63709 Bushing-Guide (Intake)

★ Included in Gasket Set-Part No. 496659.
● Included in Carburetor Kit-Part No. 498260.

∅ Included in Valve Overhaul Gasket Set-Part No 498532.
◆ Included in Carburetor Gasket Set-Part No. 498261.

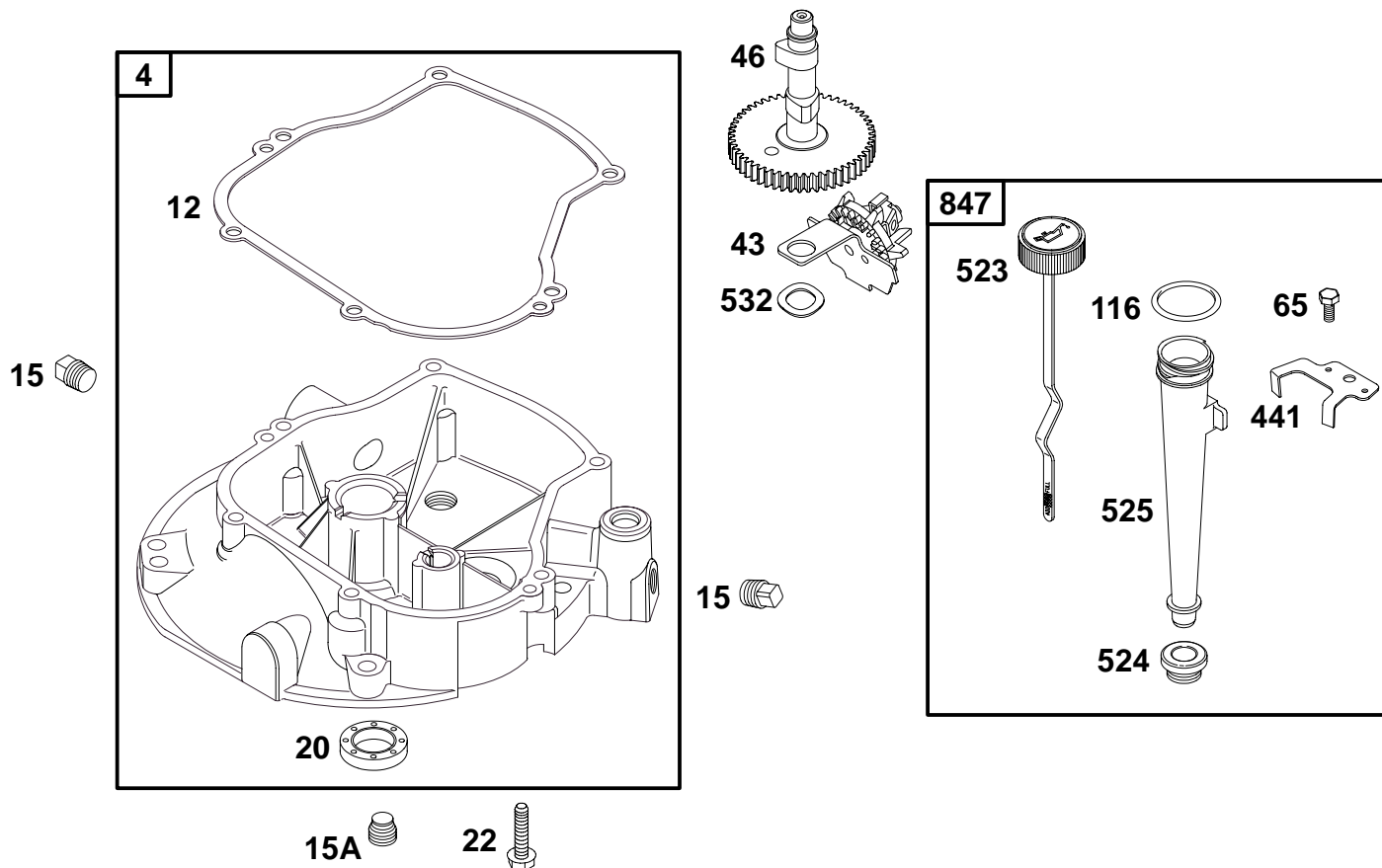


REF. NO.	PART NO.	DESCRIPTION	REF. NO.	PART NO.	DESCRIPTION	REF. NO.	PART NO.	DESCRIPTION	
6	94927	Washer—Flat	26	298982	Ring Set (Standard)	35	260552	Spring—Valve (Intake)	
16	492091	Crankshaft			Note	36	26478	Spring—Valve (Exhaust)	
		Note			298983		93312	Retainer—Valve	
		397109 Crankshaft			(.010" O.S.)		260642	Tappet—Valve	
		Used on Type No(s).			298984		146	94388	Key—Timing
		0003, 0015, 0019,			(.020" O.S.)		146A	499047	Key—Timing
		0117.			298985		227	391967	Lever—Governor
		493410 Crankshaft	27	26026	Lock—Piston Pin	377		93065	Key—Woodruff
		Used on Type No(s).	28	298909	Pin—Piston (Standard)	562		94907	Bolt—Governor Lever
		0017, 0102, 0116,			Note	592		231978	Nut—Hex.
		0118.			298908		614	93306	Pin—Cotter
		496842 Crankshaft			(.005" O.S.)	616		495242	Crank—Governor
		Used on Type No(s).	29	299429	Rod—Connecting (Standard)	741		262992	Gear—Timing
		0125.			Note			261696	Gear—Timing
		498234 Crankshaft			390459		742	93307	Retainer—E-Ring
		Used on Type No(s).			Rod—Connecting (.020" Undersize)				
		0126.			32	94699			
24	222698	Key—Flywheel			33	211119			
25	298904	Piston Assembly (Standard)			34	261044			
		Note							
		393820 Piston Assy. (.010" O.S.)							
		393821 Piston Assy. (.020" O.S.)							
		393822 Piston Assy. (.030" O.S.)							

★ Included in Gasket Set—Part No. 496659.
 ● Included in Carburetor Kit—Part No. 498260.

⊘ Included in Valve Overhaul Gasket Set—Part No 498532.
 ◆ Included in Carburetor Gasket Set—Part No. 498261.

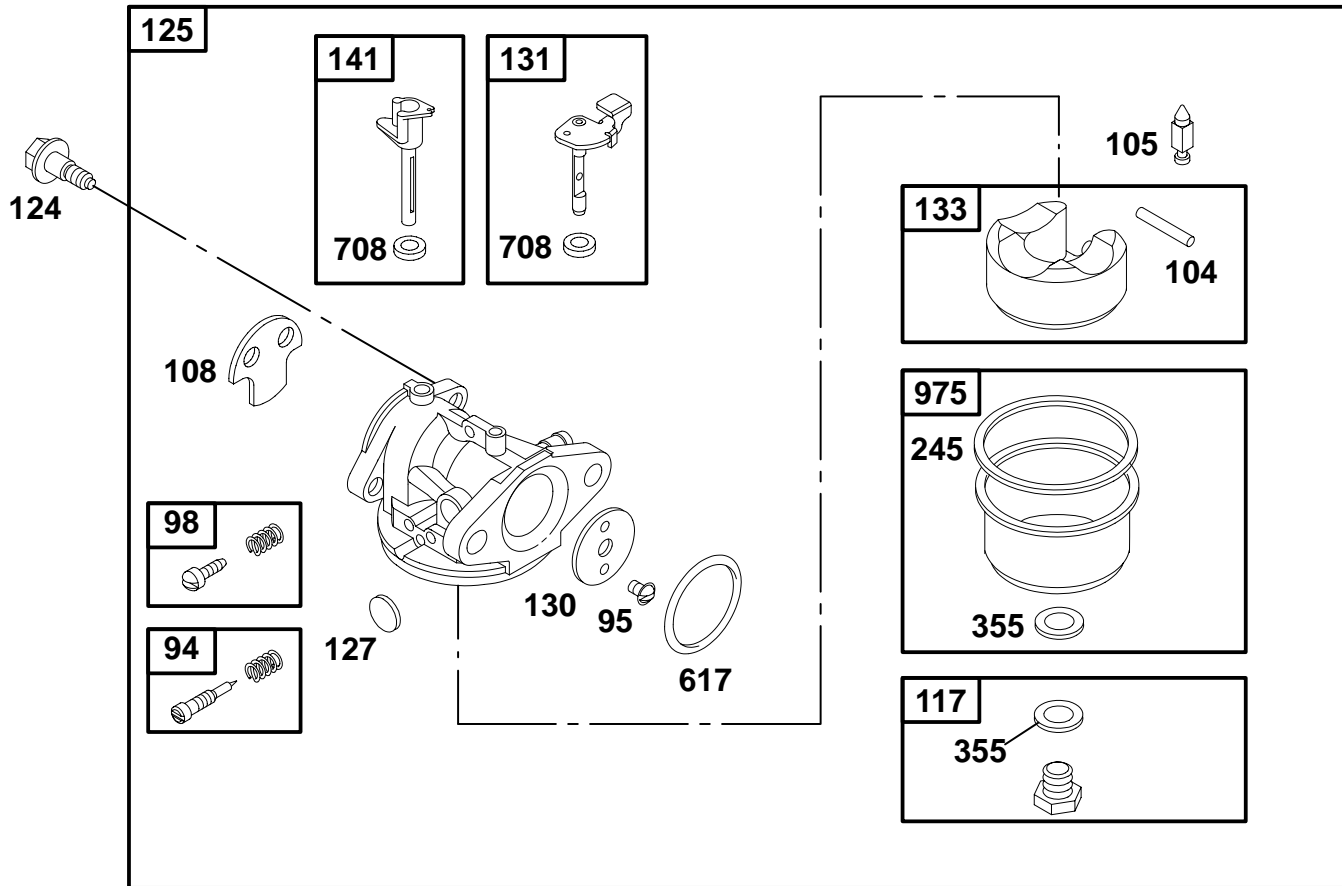
135700 to 135799



REF. NO.	PART NO.	DESCRIPTION	REF. NO.	PART NO.	DESCRIPTION	REF. NO.	PART NO.	DESCRIPTION
4	496644	Sump-Engine	15	94239	Plug-Oil Drain	441	224903	Bracket-Oil Fill
12	★270069	Gasket-Crankcase	15A	94880	Plug-Oil Drain	523	495228	Dipstick
		Note	20	★391485	Seal-Oil	524	★281370	Seal-Fill Tube
		★270122 Gasket-Crankcase (.005" Thick)	22	94980	Screw-Hex.	525	280133	Tube-Oil Fill
		★270123 Gasket-Crankcase (.009" Thick)	43	496544	Gov./Oil Slinger	532	260676	Washer-Spring
			46	214726	Gear-Cam	847	496271	Dipstick/Tube Assembly
			65	94874	Screw-Hex.			
			116	★270920	Seal-O-Ring			

- ★ Included in Gasket Set-Part No. 496659.
- Included in Carburetor Kit-Part No. 498260.

- ◊ Included in Valve Overhaul Gasket Set-Part No 498532.
- ◆ Included in Carburetor Gasket Set-Part No. 498261.

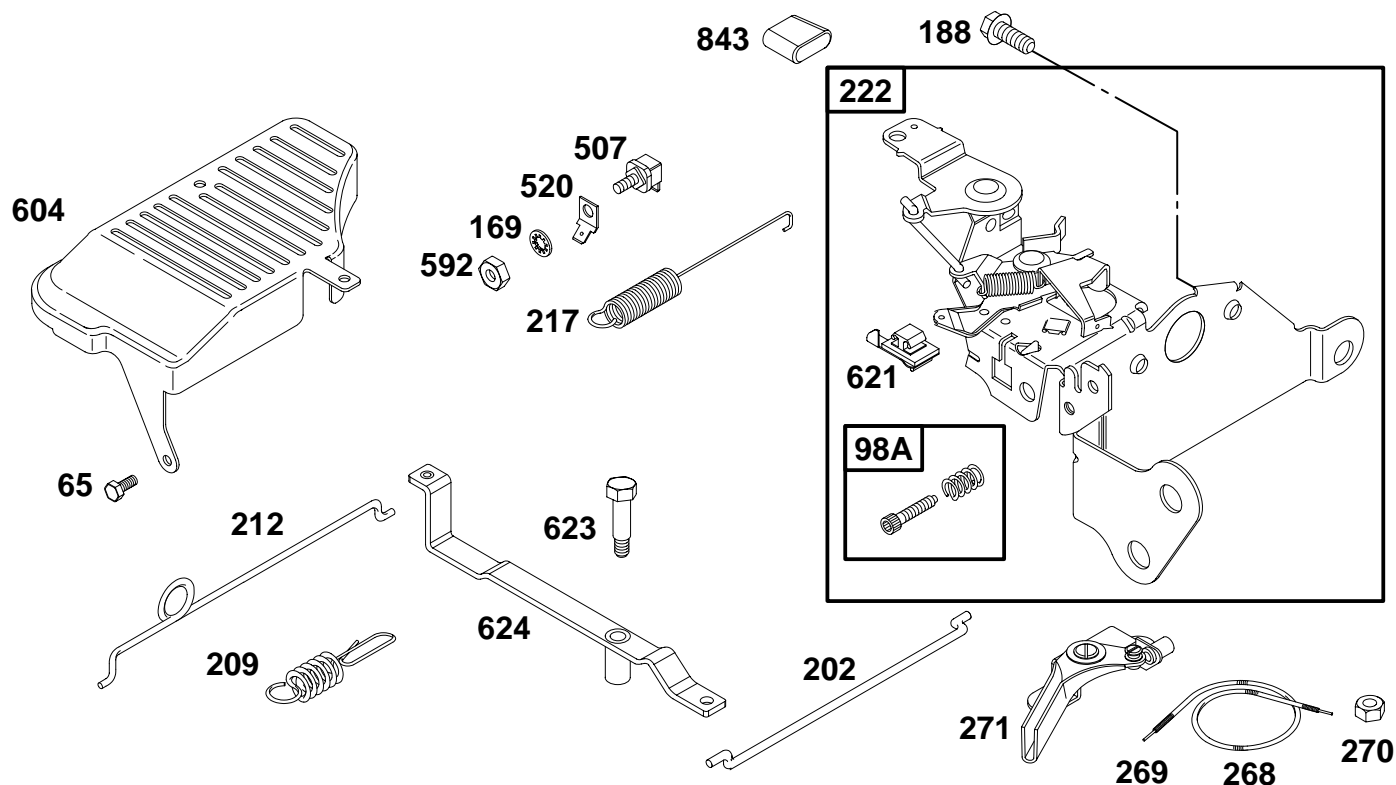


REF. NO.	PART NO.	DESCRIPTION	REF. NO.	PART NO.	DESCRIPTION	REF. NO.	PART NO.	DESCRIPTION
94	●493765	Valve-Idle Adjustment	124	94840	Screw-Torx® Hex.	355	◆	Washer-Seal (Sold in Kit Only)
95	94098	Screw-Choke/Throttle	125	496649	Carburetor	617	◆◆270344	Seal-Intake Manifold
98	398185	Screw-Idle Speed	127	●	Plug-Welch (Sold in Kit Only)	708	◆◆	Seal-Dust
104	●231371	Pin-Float Hinge	130	223470	Valve-Throttle	975	493640	Bowl-Float
105	●398188	Needle/Seat Kit	131	496727	Throttle Shaft Kit			
108	223471	Valve-Choke	133	398187	Float-Carburetor			
117	493869	Jet-Main (Bowl Mounting Screw)	141	494218	Choke Shaft Kit			
		Note	245	◆◆	Gasket-Bowl (Sold in Kit Only)			
		493763 Jet-Main (High Altitude) (Bowl Mounting Screw)						

★ Included in Gasket Set-Part No. 496659.
● Included in Carburetor Kit-Part No. 498260.

⊘ Included in Valve Overhaul Gasket Set-Part No 498532.
◆ Included in Carburetor Gasket Set-Part No. 498261.

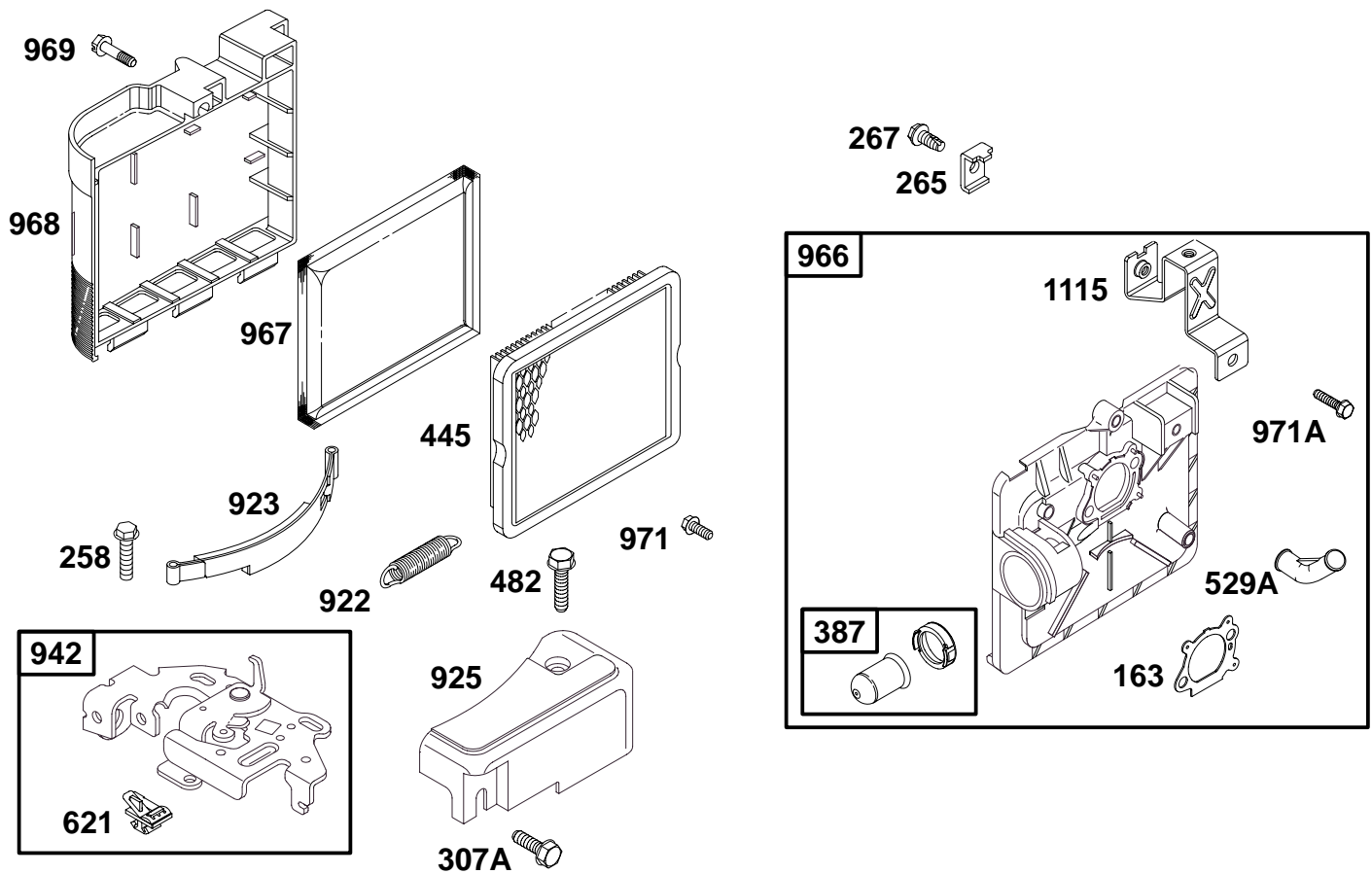
135700 to 135799



REF. NO.	PART NO.	DESCRIPTION	REF. NO.	PART NO.	DESCRIPTION	REF. NO.	PART NO.	DESCRIPTION	
65	94874	Screw—Hex.	217	262749	Spring—Choke	270	63426	Locknut—Casing	
98A	493280	Screw—Idle Speed	222	496245	Bracket—Control (Remote)	271	290568	Lever—Control	
169	92791	Washer—Lock			Note	354	90576	Nut—Hex.	
188	94117	Screw—Hex.			496535	Bracket—Control (Manual Friction)	507	398525	Insulator
202	260649	Link—Mechanical Governor			Used on Type No(s). 0015, 0016, 0017, 0019, 0117, 0118, 0125.	520	93722	Terminal	
212	262961	Link—Throttle				604	224907	Cover—Control	
209	262657	Spring—Governor				621	396847	Switch—Stop	
		Note				623	231520	Screw—Shoulder	
		262656				624	496288	Lever—Linkage	
		Spring—Governor				843	272616	Sleeve—Lever	
		Used on Type No(s). 0003, 0019, 0117, 0118.	268	66986	Casing—Wire (48" Long)				
		262657			Note				
		Spring—Governor			65616	Casing—Wire (72" Long)			
		Used on Type No(s). 0015, 0016, 0017, 0102, 0116, 0125.			(If Shorter Casing is Needed, Cut to Required Length)				
		262659			Wire—Control (54" Long)				
		Spring—Governor	269	26099	Wire—Control (78" Long Cut to Required Length)				
		Used on Type No(s). 0100, 0105.			Note				
		262662			26633	Wire—Control (78" Long Cut to Required Length)			
		Spring—Governor							
		Used on Type No(s). 0125, 0126.							

★ Included in Gasket Set—Part No. 496659.
 ● Included in Carburetor Kit—Part No. 498260.

⊘ Included in Valve Overhaul Gasket Set—Part No 498532.
 ◆ Included in Carburetor Gasket Set—Part No. 498261.

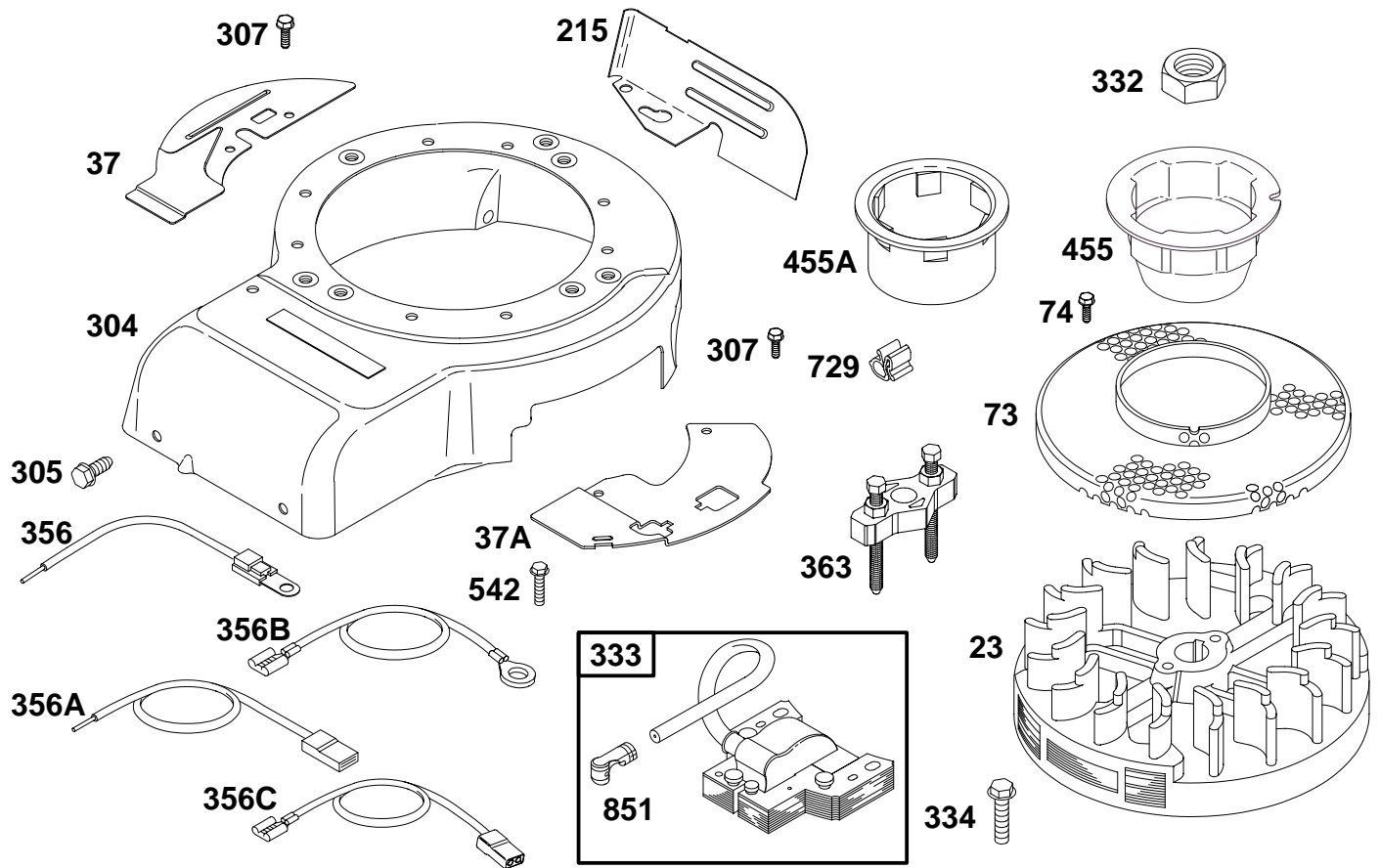


REF. NO.	PART NO.	DESCRIPTION	REF. NO.	PART NO.	DESCRIPTION	REF. NO.	PART NO.	DESCRIPTION
163	★272653	Gasket–Air Cleaner	529A	281299	Grommet	967	493537	Filter–Pre-Cleaner
258	94902	Screw–Hex.	621	396847	Switch–Stop	968	281340	Cover–Air Cleaner
265	221535	Clamp–Casing	922	261647	Spring–Brake	969	94872	Screw–Slotted Hex.
267	94882	Screw–Slotted Hex.	923	394867	Brake	971	94873	Screw–Hex.
307A	94807	Screw–Hex.	925	281285	Cover–Linkage	971A	94749	Screw–Hex.
387	496115	Primer–Carburetor	942	493248	Bracket–Brake	1115	224815	Bracket–Air Cleaner
445	491588	Filter–A/C Cartridge	966	496116	Base–Air Cleaner Primer			
482	93621	Screw–Hex.						

★ Included in Gasket Set–Part No. 496659.
 ● Included in Carburetor Kit–Part No. 498260.

⊘ Included in Valve Overhaul Gasket Set–Part No 498532.
 ◆ Included in Carburetor Gasket Set–Part No. 498261.

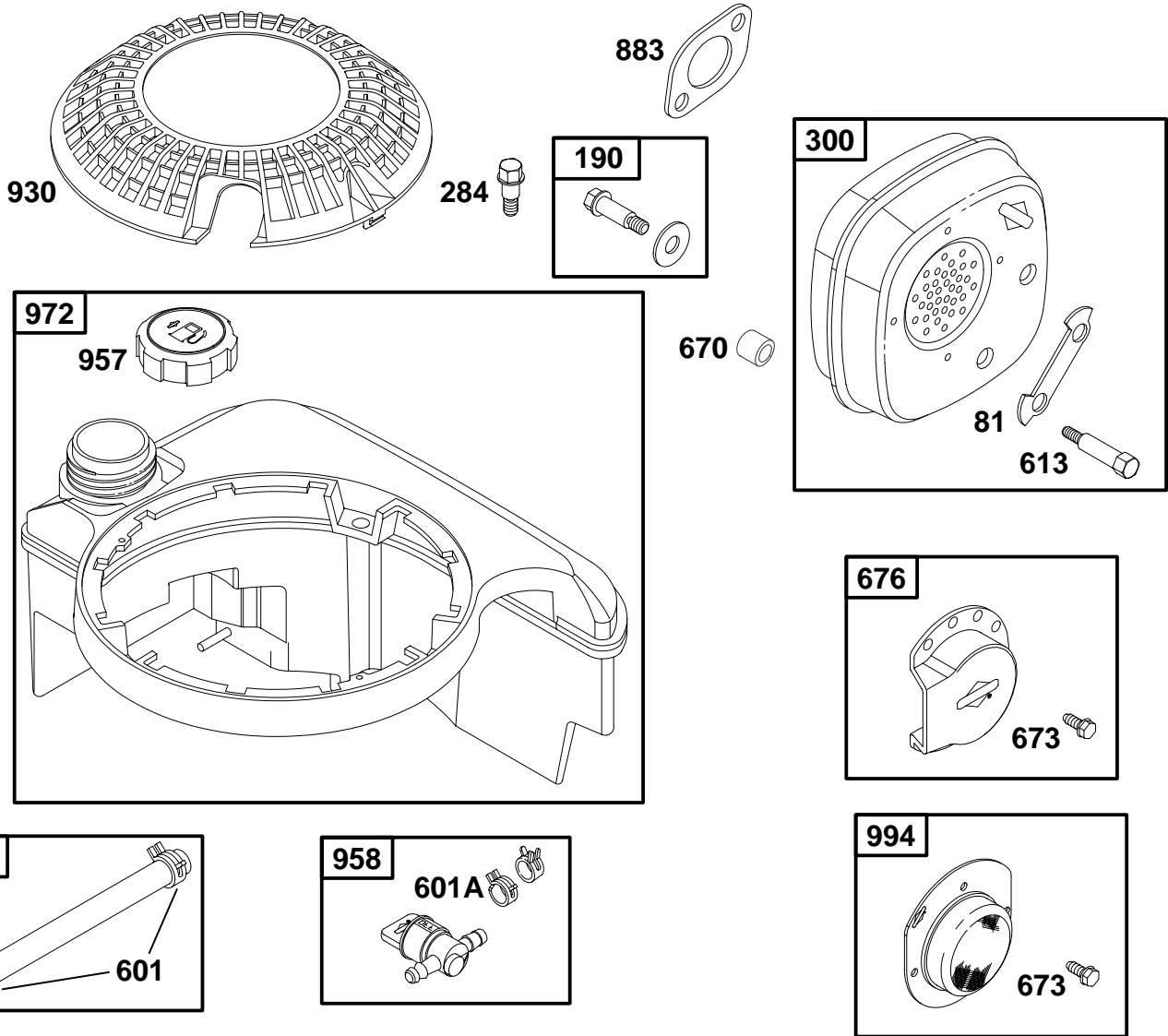
135700 to 135799



REF. NO.	PART NO.	DESCRIPTION	REF. NO.	PART NO.	DESCRIPTION	REF. NO.	PART NO.	DESCRIPTION
23	399673	Flywheel	304	496229	Housing—Blower (Used on Engines Without Band Brake)	356A	497833	Wire—Stop
37	222443	Guard—Flywheel			Note	356B	399223	Wire—Stop
37A	224904	Guard—Flywheel			496227 Housing	356C	491927	Wire—Stop
73	225176	Screen—Rotating			Blower	363	19069	Flywheel Puller
		Note			(Used on Engines With Band Brake)	455	225121	Cup—Flywheel (Used After Code Date 95043000).
		224883 Screen— Rotating (Used Before Code Date 95050100).	305	94786	Screw—Hex.	455A	224250	Cup—Flywheel (Used Before Code Date 95050100).
74	94686	Screw—Hex.	307	94680	Screw—Hex.	542	94669	Screw—Hex.
215	223886	Guide—Air	332	94877	Nut—Flywheel	729	280470	Clip—Wire
			333	397358	Armature—Magneto	851	493880	Terminal—Cable
			334	93414	Screw—Hex.			
			356	496868	Wire—Stop			

- ★ Included in Gasket Set—Part No. 496659.
- Included in Carburetor Kit—Part No. 498260.

- ⊘ Included in Valve Overhaul Gasket Set—Part No 498532.
- ◆ Included in Carburetor Gasket Set—Part No. 498261.

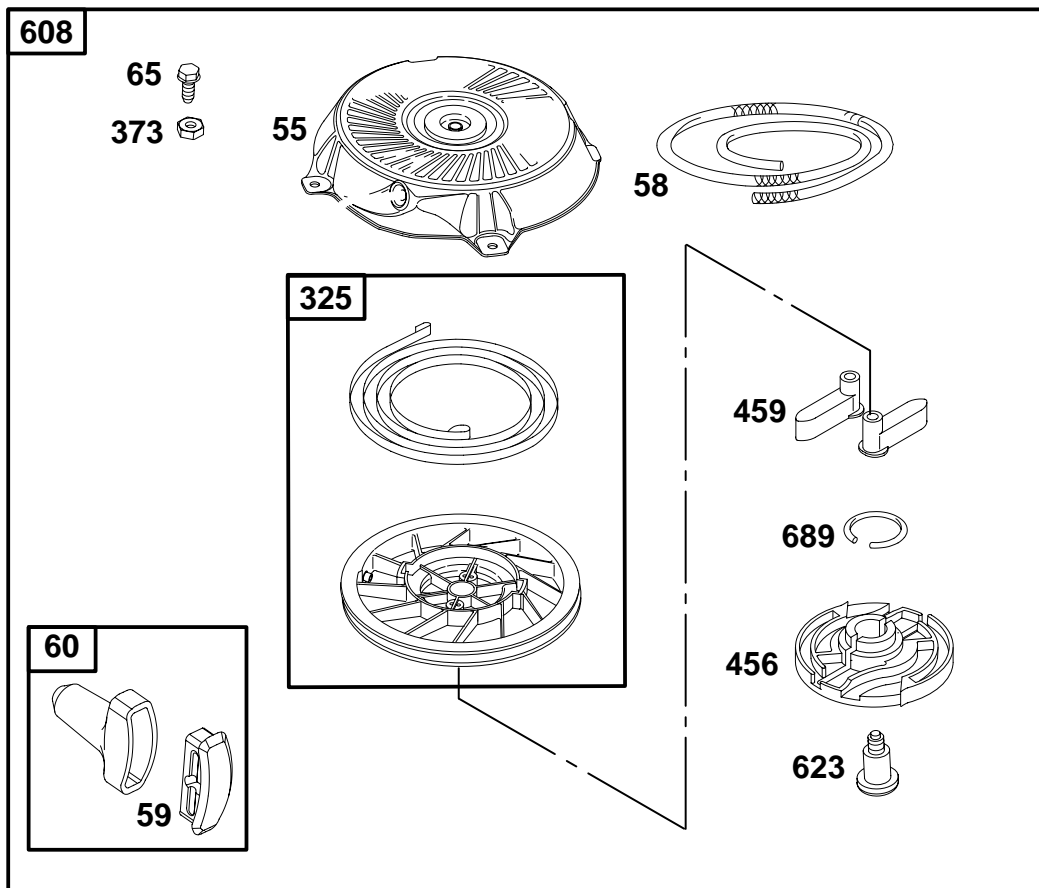


REF. NO.	PART NO.	DESCRIPTION	REF. NO.	PART NO.	DESCRIPTION	REF. NO.	PART NO.	DESCRIPTION
81	222263	Lock-Muffler Screw	601A	93807	Clamp-Hose	930	281136	Guard-Rewind
187	298049	Line-Fuel	613	93935	Screw-Shoulder	957	397974	Cap-Fuel Tank
190	496410	Screw-Shoulder	670	281362	Spacer-Fuel Tank	958	494768	Valve-Shut-Off
284	94511	Screw-Shoulder	673	94896	Screw-Hex.	972	495224	Tank-Fuel
300	494585	Muffler-Exhaust	676	393757	Deflector-Muffler	994	399541	Arrester-Spark
601	95162	Clamp-Hose	883	∅★272309	Gasket-Exhaust			

★ Included in Gasket Set-Part No. 496659.
 ● Included in Carburetor Kit-Part No. 498260.

∅ Included in Valve Overhaul Gasket Set-Part No 498532.
 ◆ Included in Carburetor Gasket Set-Part No. 498261.

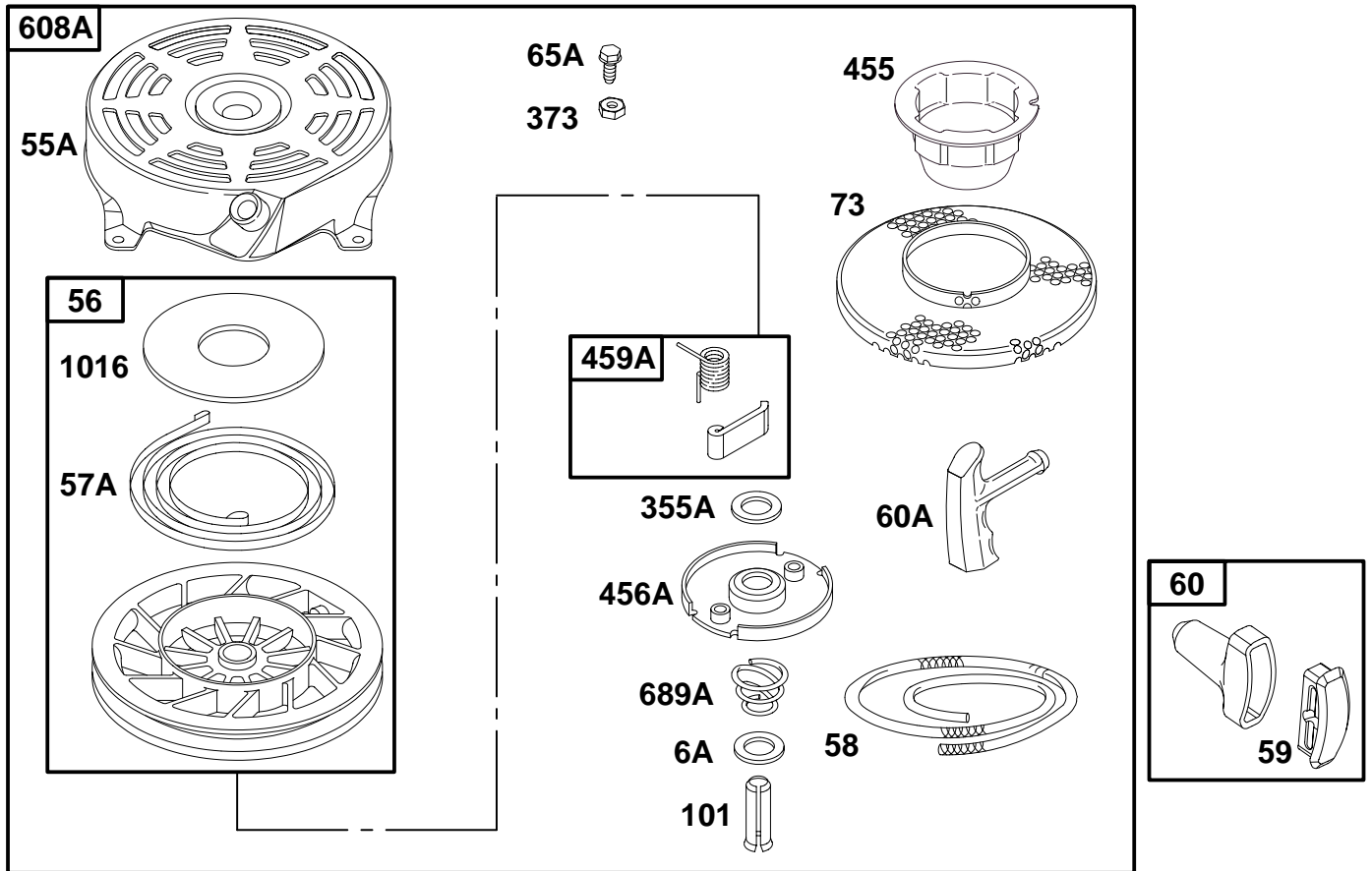
135700 to 135799



REF. NO.	PART NO.	DESCRIPTION	REF. NO.	PART NO.	DESCRIPTION	REF. NO.	PART NO.	DESCRIPTION
55	497442	Housing-Rewind Starter	65	94904	Screw-Hex.	459	281505	Pawl-Ratchet
58	280399	Rope-Starter	325	498144	Pulley-Rope Start	608	497830	Starter-Rewind
59	396892	Insert-Grip	373	94908	Nut-Hex.	623	94943	Screw-Shoulder
60	393152	Grip-Starter Rope	456	281503	Plate-Pawl Friction	689	263073	Spring-Friction

- ★ Included in Gasket Set-Part No. 496659.
- Included in Carburetor Kit-Part No. 498260.

- ∅ Included in Valve Overhaul Gasket Set-Part No 498532.
- ◆ Included in Carburetor Gasket Set-Part No. 498261.

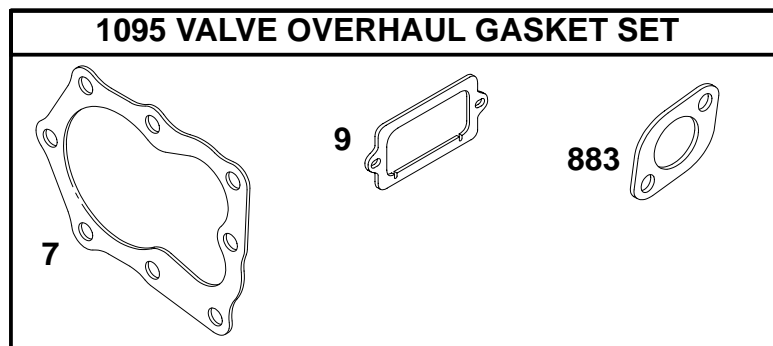
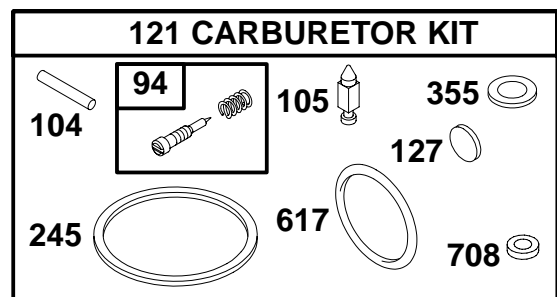
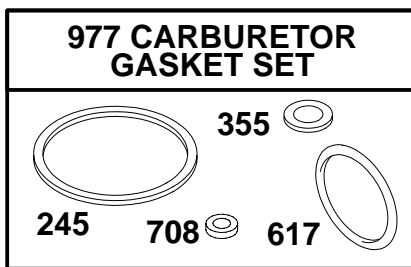
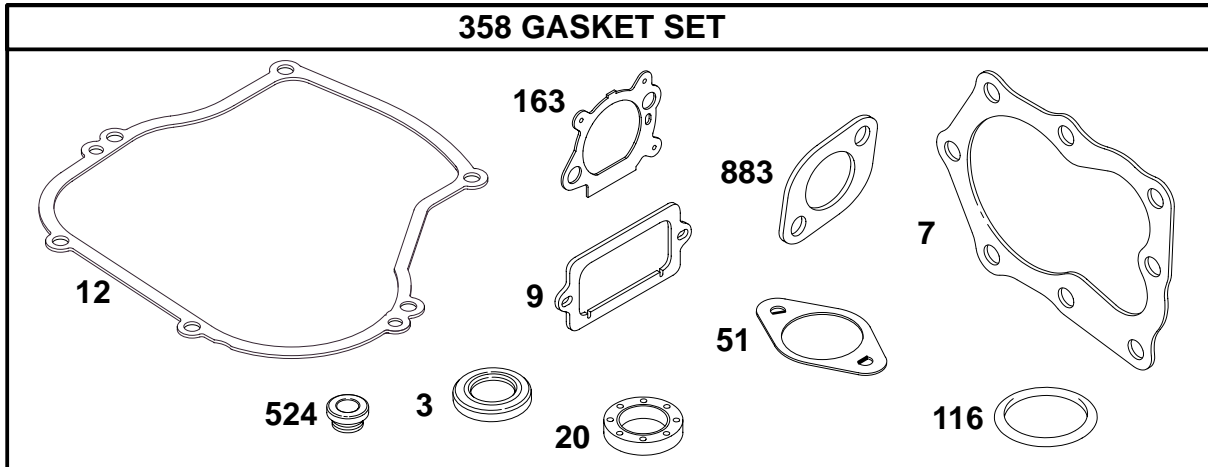


REF. NO.	PART NO.	DESCRIPTION	REF. NO.	PART NO.	DESCRIPTION	REF. NO.	PART NO.	DESCRIPTION
6A	224322	Washer—Flat	60	393152	Grip—Starter Rope	455	225121	Cup—Flywheel
55A	492831	Housing—Rewind Starter	60A	281434	Grip—Starter Rope	456A	224321	Plate—Pawl Friction
56	493824	Pulley—Starter	65A	94686	Screw—Hex.	459A	492833	Spring—Pawl
57A	491889	Spring—Rewind Starter	73	225176	Screen—Rotating	608A	496650	Starter—Rewind
58	281228	Rope—Starter	101	262626	Pin—Shaft	689A	262625	Spring—Friction
59	396892	Insert—Grip	355A	280973	Washer—Seal	1016	224278	Spacer—Rewind
			373	94908	Nut—Hex.			

★ Included in Gasket Set—Part No. 496659.
 ● Included in Carburetor Kit—Part No. 498260.

⊘ Included in Valve Overhaul Gasket Set—Part No 498532.
 ◆ Included in Carburetor Gasket Set—Part No. 498261.

135700 to 135799



REF. NO.	PART NO.	DESCRIPTION	REF. NO.	PART NO.	DESCRIPTION	REF. NO.	PART NO.	DESCRIPTION
3	★299819	Seal—Oil	94	●493765	Valve—Idle Adjustment	358	496659	Gasket Set
7	∅★272157	Gasket—Cylinder Head	104	●231371	Pin—Float Hinge	524	★281370	Seal—Fill Tube
9	∅★27549	Gasket—Breather	116	★270920	Seal—O-Ring	617	●◆270344	Seal—Intake Manifold (Sold in Kit Only)
12	★270069	Gasket—Crankcase	121	498260	Carburetor Kit	708	●◆	Seal—Dust (Sold in Kit Only)
	Note		127	●	Plug—Welch (Sold in Kit Only)	883	∅★272309	Gasket—Exhaust
	★270122	Gasket—Crankcase (.005" Thick)	105	●398188	Needle/Seat Kit	977	498261	Gasket Set—Carburetor
	★270123	Gasket—Crankcase (.009" Thick)	163	★272653	Gasket—Air Cleaner	1095	498532	Gasket Set—Valve Overhaul
20	★391485	Seal—Oil	245	◆◆	Gasket—Bowl (Sold in Kit Only)			
51	★270070	Gasket—Intake	355	◆◆	Seal—O-Ring (Sold in Kit Only)			

★ Included in Gasket Set—Part No. 496659.
● Included in Carburetor Kit—Part No. 498260.

∅ Included in Valve Overhaul Gasket Set—Part No 498532.
◆ Included in Carburetor Gasket Set—Part No. 498261.