

# 136200 to 136299

## Illustrated Parts List Model Series 136200 to 136299

TYPE NUMBERS  
0006 through 0026,  
0120 through 0140,  
0141, 0142, 0143,  
0144, 0151, 0615,  
0616, 0617, 0618,  
0626, 0751, 1015,  
1016, 1018, 1026,  
1027, 1132, 1134,  
1140, 1142, 1143,  
1144, 1151.

### TO FIND

### THE CORRECT NUMBER OF THE PART YOU NEED: FOLLOW THE INSTRUCTIONS BELOW

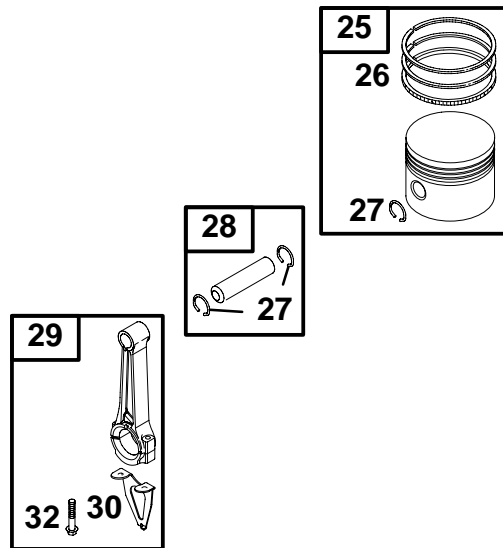
- A. Refer to Engine Model, Type and Code Number that is stamped on the blower housing of engine. Engine type numbers such as 0123 01 are listed only as 0123 in most instances. The two digits (01 or 02, etc.) to the right of the space may be required for more accurate parts identification in some instances. Select the Illustrated Parts List covering the correct Model Series and Type Number.
- B. Refer to the Illustrations and compare the original part with Illustration. The number next to the illustration is the Reference Number. Assemblies include all parts shown in frames. All parts shown in assembly frames having individual reference numbers can be purchased separately.
- C. After the Reference Number has been identified, refer to the Numerical text, where Reference and Primary Part Number are listed. **THE PRIMARY PART IS USED ON ALL TYPE NUMBERS EXCEPT THOSE TYPE NUMBERS UNDER "NOTE."**
- D. If a "Note" appears below the Primary Part Number, it means that this part differs from the Primary Part for certain types. If your Type number is listed under "Note," order the part referred to at the "Note."
- E. If your Engine Type Number does not appear after any part number listed under "Note," use the Primary Part Number.
- F. For Engine Type Numbers not covered by this book, check other Parts Lists having the same engine model or contact your source of supply.

PRINTED IN U.S.A.



COPYRIGHT by BRIGGS & STRATTON CORPORATION  
All rights reserved. No part of this material may be reproduced or transmitted, in any form or by any means, electronic or mechanical, including photocopying, recording or by any information storage and retrieval system, without permission in writing from Briggs & Stratton Corporation.



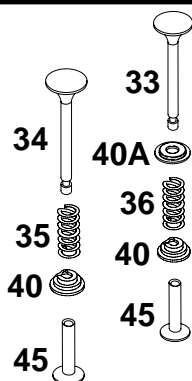


| REF. NO. | PART NO. | DESCRIPTION   | REF. NO. | PART NO. | DESCRIPTION   | REF. NO. | PART NO. | DESCRIPTION   |
|----------|----------|---|----------|----------|---|----------|----------|---|
| 25       | 498668   | Piston Assembly (Standard) (Used After Code Date 99011100).<br><b>Note</b><br>298904 Piston Assembly (Standard) (Used Before Code Date 99011200).     |          |          | 498671 Piston Assembly (.030" Oversize) (Used After Code Date 99011100).<br>298907 Piston Assembly (.030" Oversize) (Used Before Code Date 99011200). |          |          | 498682 Ring Set (.020" Oversize) (Used After Code Date 99011100).<br>298984 Ring Set (.020" Oversize) (Used Before Code Date 99011200). |
|          |          | 498669 Piston Assembly (.010" Oversize) (Used After Code Date 99011100).<br>298905 Piston Assembly (.010" Oversize) (Used Before Code Date 99011200). | 26       | 498680   | Ring Set (Standard) (Used After Code Date 99011100).<br><b>Note</b><br>298982 Ring Set (Standard) (Used Before Code Date 99011200).                   |          |          | 498683 Ring Set (.030" Oversize) (Used After Code Date 99011100).<br>298985 Ring Set (.030" Oversize) (Used Before Code Date 99011200). |
|          |          | 498670 Piston Assembly (.020" Oversize) (Used After Code Date 99011100).<br>298906 Piston Assembly (.020" Oversize) (Used Before Code Date 99011200). |          |          | 498681 Ring Set (.010" Oversize) (Used After Code Date 99011100).<br>298983 Ring Set (.010" Oversize) (Used Before Code Date 99011200).               | 27       | 691588   | Lock-Piston Pin   |
|          |          |   |          |          |   | 28       | 691239   | Pin-Piston (Standard)<br><b>Note</b>  |
|          |          |   |          |          |   |          |          | 298908 Pin-Piston (.005" Oversize)  |
|          |          |   |          |          |   | 29       | 299430   | Rod-Connecting (Standard)<br><b>Note</b>  |
|          |          |   |          |          |   |          |          | 390459 Rod-Connecting (.020" Undersize)   |
|          |          |   |          |          |   | 30       | 691759   | Dipper-Connecting Rod   |
|          |          |   |          |          |   | 32       | 691664   | Screw (Connecting Rod)  |

★ Included in Engine Gasket Set-Ref. 358.  
● Included in Carburetor Overhaul Kit-Ref. 121.

∅ Included in Valve Gasket Set-Ref. 1095.

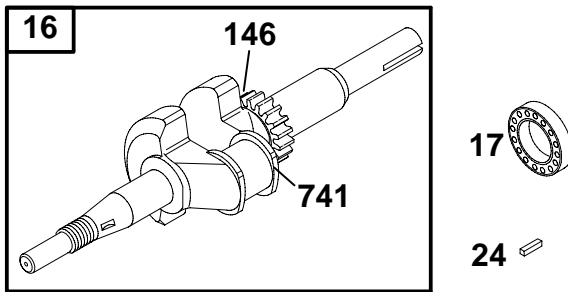
# 136200 to 136299



| REF. NO.  | PART NO.      | DESCRIPTION   | REF. NO.  | PART NO.      | DESCRIPTION            | REF. NO.   | PART NO.      | DESCRIPTION              |
|-----------|---------------|---------------|-----------|---------------|------------------------|------------|---------------|--------------------------|
| <b>33</b> | <b>211119</b> | Valve-Exhaust | <b>35</b> | <b>690520</b> | Spring-Valve (Intake)  | <b>40</b>  | <b>692194</b> | Retainer-Valve           |
| <b>34</b> | <b>261044</b> | Valve-Intake  | <b>36</b> | <b>692180</b> | Spring-Valve (Exhaust) | <b>40A</b> | <b>691760</b> | Retainer-Valve (Exhaust) |
|           |               |               |           |               |                        | <b>45</b>  | <b>690509</b> | Tappet-Valve             |

★ Included in Engine Gasket Set-Ref. 358.  
 ● Included in Carburetor Overhaul Kit-Ref. 121.

∅ Included in Valve Gasket Set-Ref. 1095.



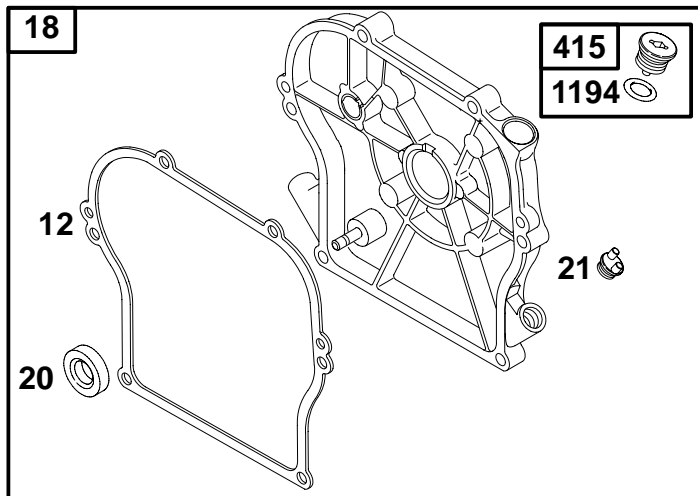
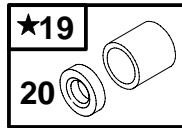
| REF. NO. | PART NO. | DESCRIPTION  | REF. NO. | PART NO. | DESCRIPTION  | REF. NO. | PART NO. | DESCRIPTION                                     |
|----------|----------|--|----------|----------|--------------|----------|----------|---|
| 16       | 492088   | Crankshaft<br><b>Note</b><br><b>495645</b> Crankshaft<br>Used on Type No(s).<br>0120, 0131, 0141,<br>0151, 0751, 1151.<br><b>499765</b> Crankshaft<br>Used on Type No(s).<br>0014, 0015, 0018,<br>0122, 0129, 0133,<br>0143, 0144, 0615,<br>0617, 1015, 1018,<br>1143, 1144. | 17       | 692007   | Bearing-Ball | 146      | 690979   | Key-Timing<br>(Used With Timing<br>Gear 691847) |
|          |          |  | 24       | 222698   | Key-Flywheel | 741      | 691847   | Gear-Timing<br>(Uses Woodruff Key)              |

★ Included in Engine Gasket Set-Ref. 358.  
 ● Included in Carburetor Overhaul Kit-Ref. 121.

∅ Included in Valve Gasket Set-Ref. 1095.

# 136200 to 136299

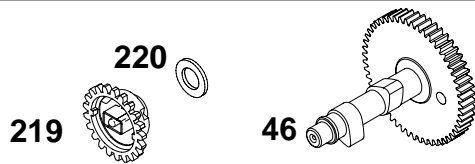
★ **REQUIRES SPECIAL TOOLS TO INSTALL. SEE REPAIR INSTRUCTION MANUAL.**



| REF. NO. | PART NO. | DESCRIPTION   | REF. NO. | PART NO. | DESCRIPTION  | REF. NO. | PART NO. | DESCRIPTION  |        |                    |
|----------|----------|---|----------|----------|--|----------|----------|--|--------|--------------------|
| 12       | ★692213  | Gasket-Crankcase (.015", Standard)<br>———— <b>Note</b> ————<br>★270125 Gasket-Crankcase (.005")<br>★270126 Gasket-Crankcase (.009")                               |          |          |  |          |          |  |        |                    |
| 18       | 694377   | Cover-Crankcase (Gear Reduction)<br>———— <b>Note</b> ————<br>694350 Cover-Crankcase (Plain Bearing) Used on Type No(s). 0122, 0129, 0133, 0143, 0144, 1143, 1144. | 19       | 495660   | Kit-Bushing/Seal (PTO Side)  | 415      | 691363   | Plug   |        |                    |
|          |          |   | 20       | ★495307  | Seal-Oil (PTO Side)  | 1135     | 90832    | Washer (Crankcase Cover)<br>———— <b>Note</b> ————<br>690371 Washer (Crankcase Cover) (Used in Positions 1 and 5) |        |                    |
|          |          |   | 21       | 281658   | Cap-Oil Fill   |          |          | Used on Type No(s). 0006, 0014, 0120, 0121, 0124, 0125, 0127, 0128, 0129, 0130, 0133, 0140, 0142, 0143, 1144.    |        |                    |
|          |          |   | 22       | 691662   | Screw (Crankcase)  |          |          | 1194   | 691876 | O-Ring Seal (Plug) |
|          |          |   | 170      | 691120   | Stud (Crankcase Cover) (Used in Positions 1 and 5) Used on Type No(s). 0122, 0125, 0127, 0129, 0130, 0133, 0140, 0142, 0143, 0144, 1140, 1142, |          |          |  |        |                    |

★ Included in Engine Gasket Set-Ref. 358.  
● Included in Carburetor Overhaul Kit-Ref. 121.

∅ Included in Valve Gasket Set-Ref. 1095.

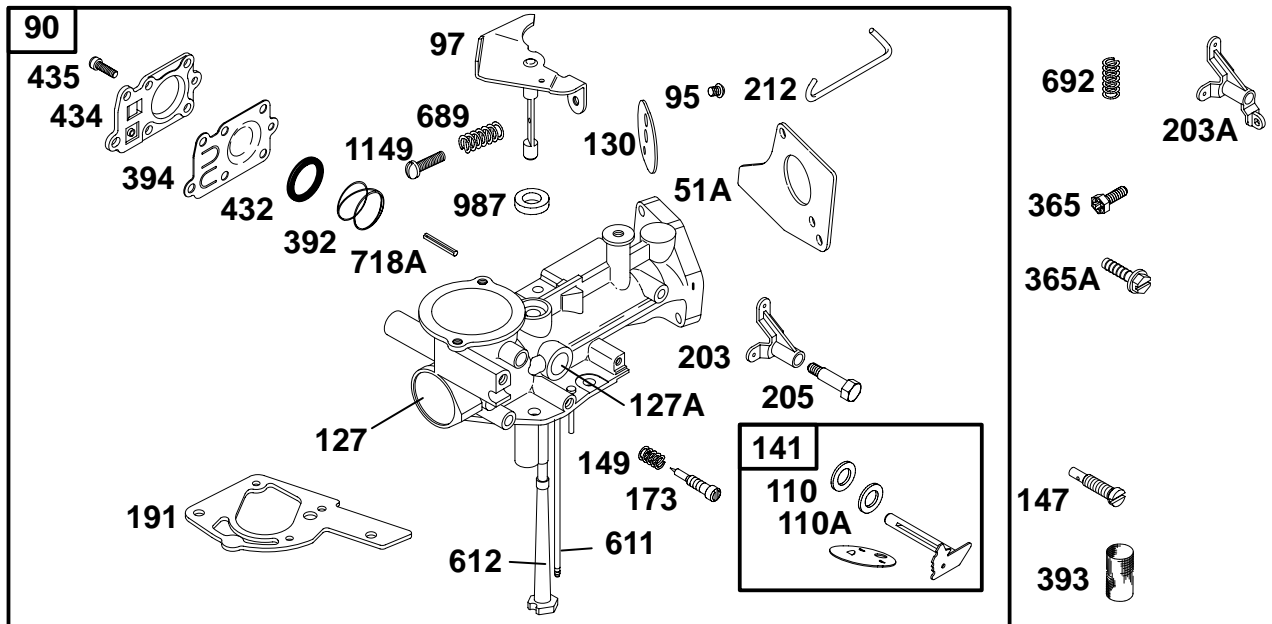


| REF. NO. | PART NO. | DESCRIPTION   | REF. NO. | PART NO. | DESCRIPTION               | REF. NO. | PART NO. | DESCRIPTION |
|----------|----------|---------------|----------|----------|---------------------------|----------|----------|-------------|
| 46       | 691164   | Camshaft      | 220      | 691724   | Washer<br>(Governor Gear) |          |          |             |
| 219      | 494845   | Gear-Governor |          |          |                           |          |          |             |

★ Included in Engine Gasket Set-Ref. 358.  
● Included in Carburetor Overhaul Kit-Ref. 121.

∅ Included in Valve Gasket Set-Ref. 1095.

# 136200 to 136299

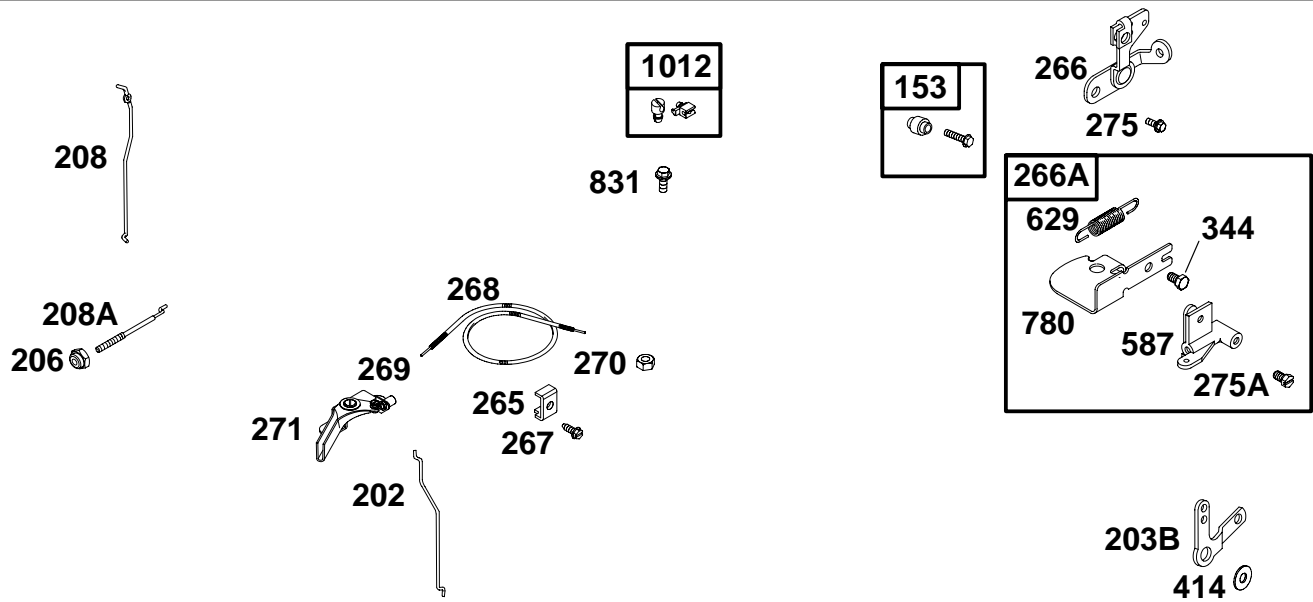


| REF. NO. | PART NO. | DESCRIPTION  | REF. NO. | PART NO. | DESCRIPTION              | REF. NO. | PART NO. | DESCRIPTION  |
|----------|----------|--|----------|----------|--------------------------|----------|----------|--|
|          |          |  |          |          | <b>Note</b>              |          |          |  |
| 51A      | 273113   | Gasket—Intake  |          |          |                          | 434      | 691713   | Cover—Diaphragm  |
| 90       | 498298   | Carburetor   |          |          |                          | 435      | 691619   | Screw<br>(Diaphragm Cover)   |
| 95       | 691437   | Screw<br>(Throttle Valve)  | 149      | 691592   | Spring—Needle Valve      | 611      | 691770   | Pipe—Fuel  |
| 97       | 692325   | Shaft—Throttle   | 173      | 691777   | Valve—Idle Mixture       | 612      | 391813   | Tube—Pick Up<br>(Uses Clip Spring)   |
| 110      | 691869   | Washer<br>(Choke Shaft, Felt)  | 191      | 692241   | Gasket—Fuel Tank         | 689      | 691783   | Friction—Spring<br>(Idle Screw)  |
| 110A     | 690401   | Washer<br>(Choke Shaft)  | 203      | 691906   | Crank—Bell<br>(Standard) | 692      | 690572   | Spring—Detent<br>Used on Type No(s).<br>0615, 0616, 0617,<br>0618, 0626, 0751,<br>1015, 1016, 1018,<br>1026, 1027, 1132,<br>1134, 1140, 1142,<br>1144, 1151. |
| 127      | 691718   | Plug—Welch   | 203A     | 691341   | Crank—Bell               |          |          |  |
| 127A     | 691742   | Plug—Welch   | 205      | 691776   | Screw<br>(Bell Crank)    |          |          |  |
| 130      | 691743   | Valve—Throttle   | 212      | 691812   | Link—Throttle            |          |          |  |
| 141      | 497230   | Kit—Choke Shaft  | 365      | 690953   | Screw<br>(Carburetor)    |          |          |  |
| 147      | 691250   | Jet—Pilot<br>(Standard)<br>Used on Type No(s).<br>0615, 0616, 0617,<br>0618, 0626, 0751,<br>1015, 1016, 1018,<br>1026, 1027, 1132,<br>1134, 1140, 1142,<br>1144, 1151. | 365A     | 691082   | Screw<br>(Carburetor)    |          |          |  |
|          |          |  | 392      | 691823   | Spring—Pump<br>Diaphragm | 718A     | 690296   | Pin—Locating<br>(Pump Cover)   |
|          |          |  | 393      | 691213   | Screen—Carburetor        |          |          |  |
|          |          |  | 394      | 272538   | Diaphragm—Carburetor     | 987      | 695273   | Seal—Throttle Shaft  |
|          |          |  | 432      | 690766   | Cap—Spring               | 1149     | 691624   | Screw<br>(Throttle Shaft)  |

★ Included in Engine Gasket Set—Ref. 358.  
● Included in Carburetor Overhaul Kit—Ref. 121.

∅ Included in Valve Gasket Set—Ref. 1095.



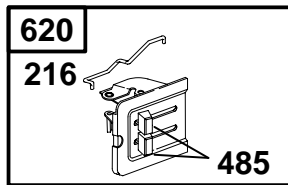


| REF. NO. | PART NO. | DESCRIPTION                                   | REF. NO. | PART NO. | DESCRIPTION                                     | REF. NO. | PART NO. | DESCRIPTION              |
|----------|----------|---|----------|----------|---|----------|----------|--------------------------|
| 153      | 490589   | Kit-Collar/Screw                              | 267      | 690804   | Screw<br>(Casing Clamp)                         | 344      | 691646   | Screw<br>(Cable Clamp)   |
| 202      | 691814   | Link-Mechanical Governor                      | 268      | 691072   | Casing-Control Wire<br>(Cut to Required Length) | 414      | 691721   | Washer<br>(Bell Crank)   |
| 203B     | 691744   | Crank-Bell                                    | 269      | 691589   | Wire-Control<br>(Cut to Required Length)        | 587      | 690769   | Clamp-Cable              |
| 206      | 690325   | Nut<br>(Governor Control Rod)                 | 270      | 691027   | Nut<br>(Control Wire Casing)                    | 629      | 690457   | Spring-Throttle Return   |
| 208      | 691813   | Rod-Governor Control                          | 271      | 691028   | Lever-Control                                   | 780      | 691211   | Anchor-Spring            |
| 208A     | 691820   | Rod-Governor Control<br>(Governor Idle Speed) | 275      | 691645   | Screw<br>(Cable Clamp)                          | 831      | 691099   | Screw<br>(Spring Anchor) |
| 265      | 691024   | Clamp-Casing                                  | 275A     | 691683   | Screw<br>(Throttle Control)                     | 1012     | 490507   | Retainer-Link            |
| 266      | 691414   | Control-Throttle                              |          |          |   |          |          |                          |
| 266A     | 692316   | Control-Throttle                              |          |          |   |          |          |                          |

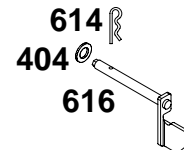
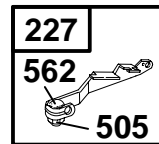
★ Included in Engine Gasket Set-Ref. 358.  
 ● Included in Carburetor Overhaul Kit-Ref. 121.

∅ Included in Valve Gasket Set-Ref. 1095.

# 136200 to 136299



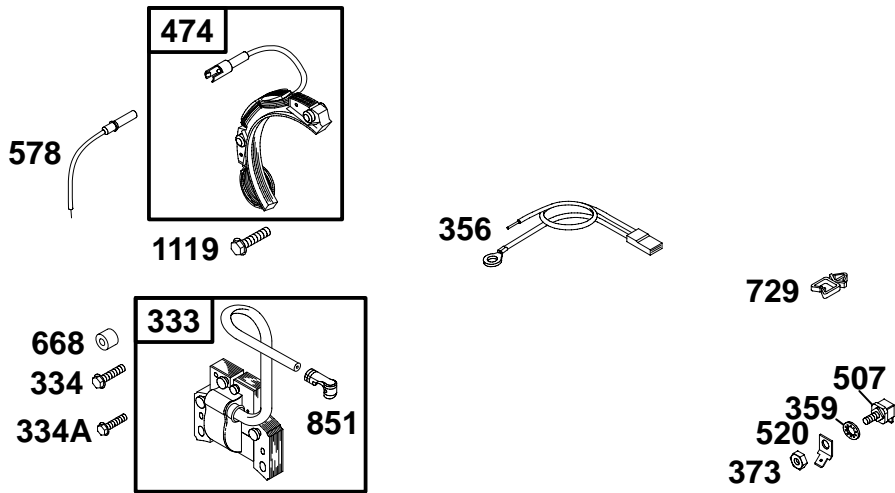
188



| REF. NO. | PART NO. | DESCRIPTION                | REF. NO. | PART NO. | DESCRIPTION                        | REF. NO. | PART NO. | DESCRIPTION                         |
|----------|----------|----------------------------|----------|----------|------------------------------------|----------|----------|-------------------------------------|
| 188      | 692200   | Screw<br>(Control Bracket) | 404      | 691691   | Washer<br>(Governor Crank)         | 562      | 691119   | Bolt<br>(Governor Control<br>Lever) |
| 216      | 691824   | Link-Choke<br>(Manual)     | 485      | 692295   | Knob-Control<br>(Slide)            | 614      | 691620   | Pin-Cotter                          |
| 227      | 690653   | Lever-Governor<br>Control  | 505      | 691251   | Nut<br>(Governor Control<br>Lever) | 616      | 692016   | Pin-Governor                        |
|          |          |                            |          |          |                                    | 620      | 490649   | Bracket-Control<br>(Panel)          |

★ Included in Engine Gasket Set-Ref. 358.  
● Included in Carburetor Overhaul Kit-Ref. 121.

∅ Included in Valve Gasket Set-Ref. 1095.

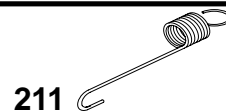
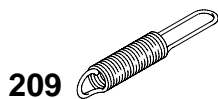


| REF. NO. | PART NO. | DESCRIPTION   | REF. NO. | PART NO. | DESCRIPTION                 | REF. NO. | PART NO. | DESCRIPTION           |
|----------|----------|---|----------|----------|-----------------------------|----------|----------|-----------------------|
| 333      | 397358   | Armature–Magneto  | 359      | 691077   | Washer<br>(Ground Terminal) | 578      | 692306   | Harness–Alternator    |
| 334      | 690306   | Screw<br>(Magneto Armature,<br>Used on Models With<br>Electric Start) | 373      | 691612   | Nut<br>(Ground Terminal)    | 668      | 690531   | Spacer                |
| 334A     | 691621   | Screw<br>(Magneto Armature)   | 474      | 494254   | Alternator                  | 729      | 690588   | Clip–Wire             |
| 356      | 398808   | Wire–Stop   | 507      | 691972   | Insulator                   | 851      | 493880   | Terminal–Spark Plug   |
|          |          |   | 520      | 691084   | Terminal–Ground             | 1119     | 691183   | Screw<br>(Alternator) |

★ Included in Engine Gasket Set–Ref. 358.  
● Included in Carburetor Overhaul Kit–Ref. 121.

∅ Included in Valve Gasket Set–Ref. 1095.

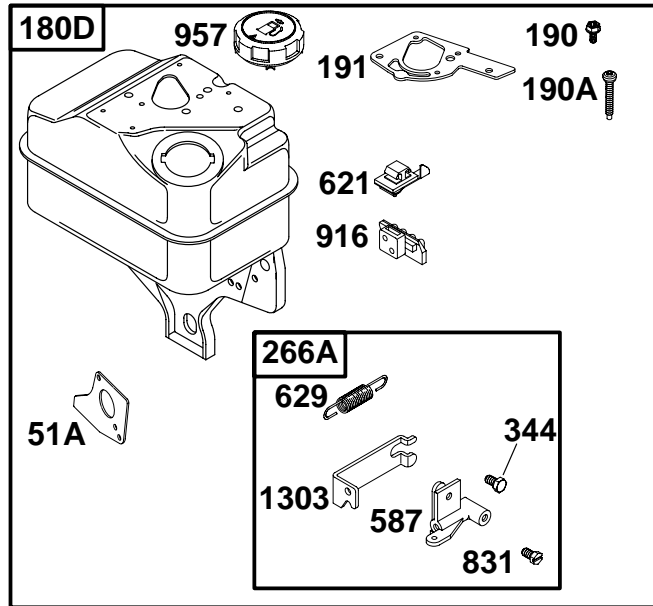
# 136200 to 136299



| REF. NO. | PART NO. | DESCRIPTION  | REF. NO. | PART NO. | DESCRIPTION          | REF. NO. | PART NO. | DESCRIPTION |
|----------|----------|--|----------|----------|----------------------|----------|----------|-------------|
| 209      | 690376   | Spring-Governor (Red)<br><b>Note</b><br>690549 Spring-Governor (Blue)<br>Used on Type No(s).<br>0026, 0140, 0143, 0151, 0615, 0616, 0626, 0751, 1015, 1016, 1018, 1026, 1027, 1132, 1134, 1140, 1142, 1143, 1151.<br>691845 Spring-Governor (Silver)<br>Used on Type No(s).<br>0144, 1144. | 211      | 691850   | Spring-Governed Idle |          |          |             |

★ Included in Engine Gasket Set-Ref. 358.  
● Included in Carburetor Overhaul Kit-Ref. 121.

∅ Included in Valve Gasket Set-Ref. 1095.

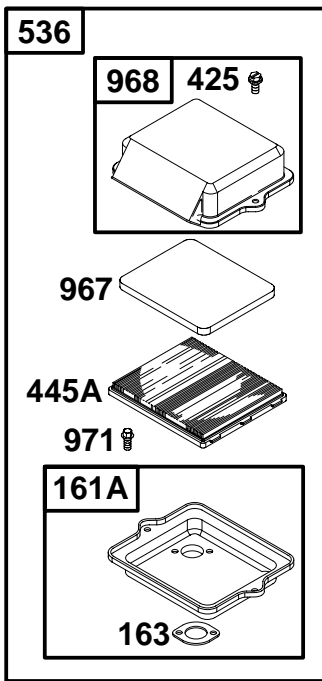


| REF. NO. | PART NO. | DESCRIPTION            | REF. NO. | PART NO. | DESCRIPTION            | REF. NO. | PART NO. | DESCRIPTION              |
|----------|----------|------------------------|----------|----------|------------------------|----------|----------|--------------------------|
| 51A      | 273113   | Gasket-Intake          | 190A     | 691687   | Screw<br>(Fuel Tank)   | 629      | 690457   | Spring-Throttle Return   |
| 180D     | 698054   | Tank-Fuel<br>(3 Quart) | 191      | ★●692241 | Gasket-Fuel Tank       | 831      | 691646   | Screw<br>(Anchor Spring) |
| 190      | 691685   | Screw<br>(Fuel Tank)   | 344      | 691645   | Screw<br>(Cable Clamp) | 916      | 691900   | Rack-Governor Gear       |
|          |          |                        | 587      | 690769   | Clamp-Cable            | 957      | 494559   | Cap-Fuel Tank            |
|          |          |                        | 621      | 692310   | Switch-Stop            | 1303     | 690594   | Clamp-Speed Control      |

★ Included in Engine Gasket Set-Ref. 358.  
● Included in Carburetor Overhaul Kit-Ref. 121.

∅ Included in Valve Gasket Set-Ref. 1095.

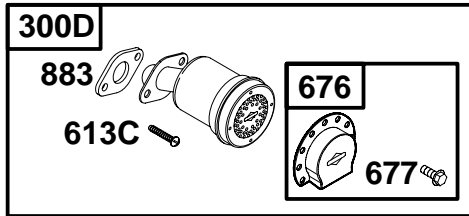
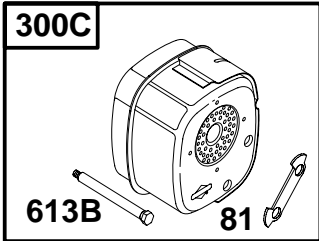
# 136200 to 136299



| REF. NO. | PART NO. | DESCRIPTION               | REF. NO. | PART NO. | DESCRIPTION                  | REF. NO. | PART NO. | DESCRIPTION              |
|----------|----------|---------------------------|----------|----------|------------------------------|----------|----------|--------------------------|
| 161A     | 694484   | Base—Air Cleaner          | 445A     | 491588   | Filter—Air Cleaner Cartridge | 968      | 692321   | Cover—Air Cleaner        |
| 163      | ∅*271935 | Gasket—Air Cleaner        | 536      | 494279   | Cleaner—Air                  | 971      | 690370   | Screw (Air Cleaner Base) |
| 425      | 694515   | Screw (Air Cleaner Cover) | 967      | 491435   | Filter—Pre Cleaner           |          |          |                          |

★ Included in Engine Gasket Set—Ref. 358.  
 ● Included in Carburetor Overhaul Kit—Ref. 121.

∅ Included in Valve Gasket Set—Ref. 1095.

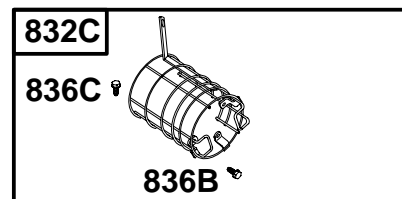
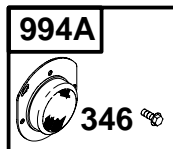
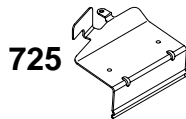


| REF. NO. | PART NO. | DESCRIPTION             | REF. NO. | PART NO. | DESCRIPTION     | REF. NO. | PART NO. | DESCRIPTION                  |
|----------|----------|-------------------------|----------|----------|-----------------|----------|----------|------------------------------|
| 81       | 691729   | Lock-Muffler Screw      | 613B     | 691413   | Screw (Muffler) | 676      | 393757   | Deflector-Muffler (Side Out) |
| 300C     | 494585   | Muffler                 | 613C     | 691665   | Screw (Muffler) | 677      | 690661   | Screw (Muffler Deflector)    |
| 300D     | 496892   | Muffler (Round Lo Tone) |          |          |                 | 883      | *692237  | Gasket-Exhaust               |

★ Included in Engine Gasket Set-Ref. 358.  
 ● Included in Carburetor Overhaul Kit-Ref. 121.

∅ Included in Valve Gasket Set-Ref. 1095.

# 136200 to 136299

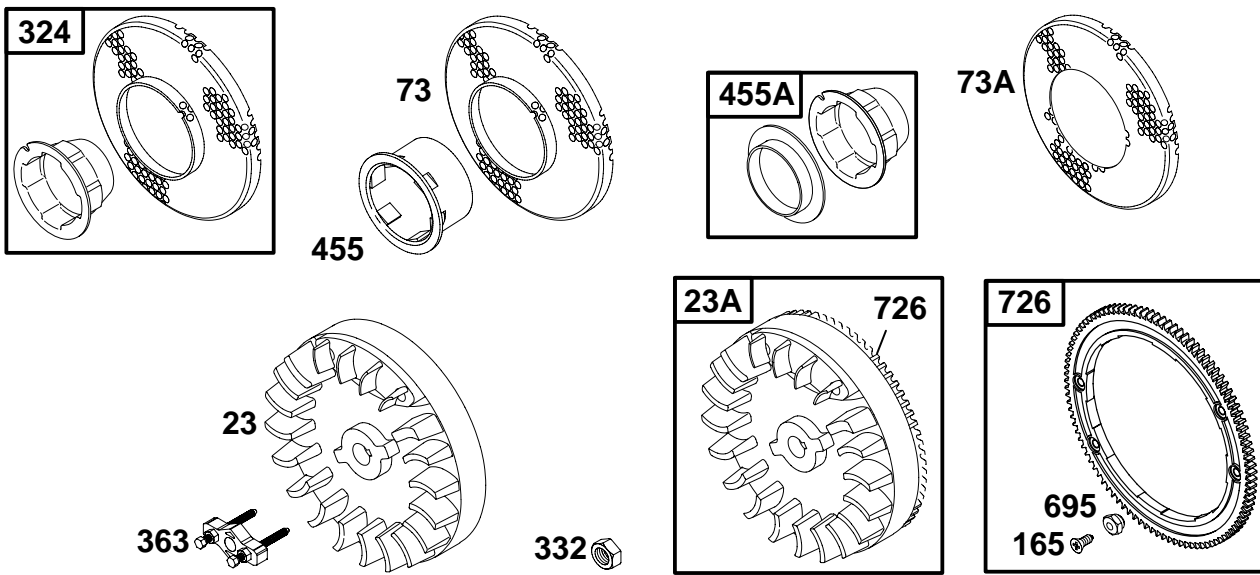


| REF. NO. | PART NO. | DESCRIPTION                | REF. NO. | PART NO. | DESCRIPTION                      | REF. NO. | PART NO. | DESCRIPTION              |
|----------|----------|----------------------------|----------|----------|----------------------------------|----------|----------|--------------------------|
| 346      | 690661   | Screw<br>(Spark Arrester)  | 832C     | 498257   | Guard-Muffler<br>(Round Lo Tone) | 836C     | 691681   | Screw<br>(Muffler Guard) |
| 725      | 690440   | Shield-Heat<br>(Fuel Tank) | 836B     | 690367   | Screw<br>(Muffler Guard)         | 994A     | 399541   | Arrester-Spark           |

★ Included in Engine Gasket Set-Ref. 358.  
● Included in Carburetor Overhaul Kit-Ref. 121.

∅ Included in Valve Gasket Set-Ref. 1095.



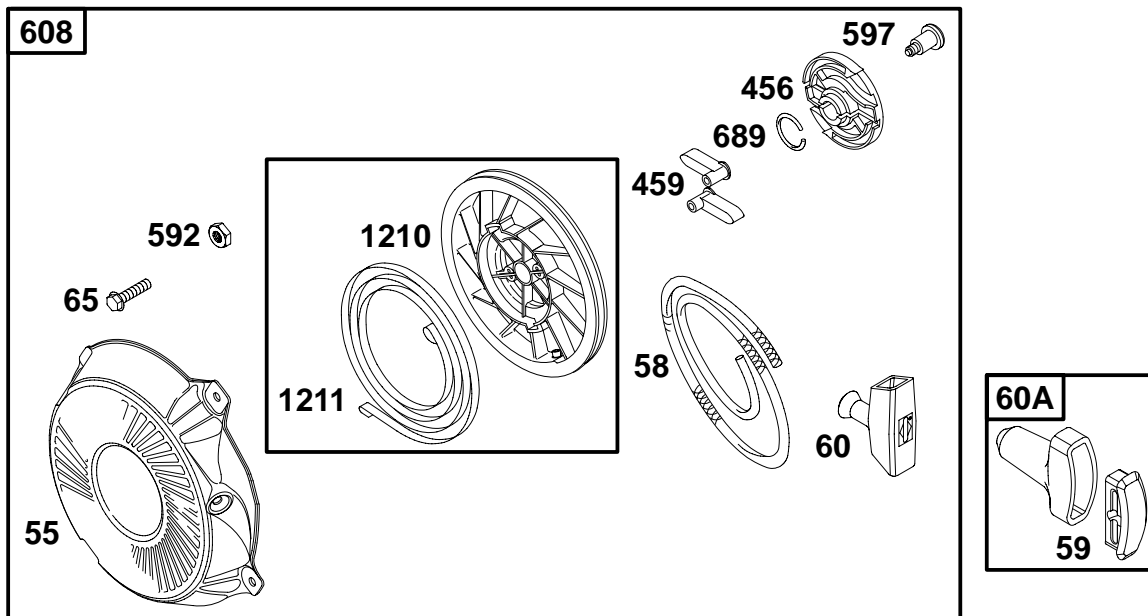


| REF. NO. | PART NO. | DESCRIPTION  | REF. NO. | PART NO. | DESCRIPTION  | REF. NO. | PART NO. | DESCRIPTION  |
|----------|----------|--|----------|----------|--|----------|----------|--|
| 23       | 399673   | Flywheel<br>(Rewind Starter)   |          |          | ————— <b>Note</b> —————  |          |          | ————— <b>Note</b> —————  |
| 23A      | 690820   | Flywheel<br>(Electric Starter)   |          |          | <b>224974</b> Screen<br>Rotating<br>(Used Before Code<br>Date 95010900).   |          |          | <b>494770</b> Cup-Flywheel<br>(Without Ring)<br>(Used Before Code<br>Date 95010900). |
| 73       |          | Screen-Rotating<br>(For Replacement<br>Rotating Screen, See<br>Ref 324 for Service)<br>(Used After Code Date<br>95020200). | 165      | 693148   | Nut<br>(Ring Gear)   | 695      | 693149   | Screw<br>(Ring Gear)   |
|          |          | ————— <b>Note</b> —————  | 324      | 695161   | Screen/Cup Assembly  | 726      | 495765   | Gear-Ring<br>(Includes Mounting<br>Hardware)   |
|          |          | <b>224883</b> Screen-<br>Rotating<br>(Use Straight Side Cup<br>Without Ring)<br>(Used Before Code<br>Date 95020300).       | 332      | 690662   | Nut<br>(Flywheel)  |          |          |  |
| 73A      |          | Screen-Rotating<br>(For Replacement<br>Rotating Screen, See<br>Ref 324 for Service)<br>(Used After Code Date<br>95010800). | 363      | 19069    | Flywheel Puller  |          |          |  |
|          |          |  | 455      |          | Cup-Flywheel<br>(For Replacement<br>Flywheel Cup, See Ref<br>324 for Service)<br>(Used After Code Date<br>95020200). |          |          |  |
|          |          |  | 455A     |          | ————— <b>Note</b> —————  |          |          |  |
|          |          |  |          |          | <b>224250</b> Cup-Flywheel<br>(With Ring)<br>(Used Before Code<br>Date 95020300).                                    |          |          |  |
|          |          |  |          |          | Cup-Flywheel<br>(For Replacement<br>Flywheel Cup, See Ref<br>324 for Service)<br>(Used After Code Date<br>95010800). |          |          |  |

★ Included in Engine Gasket Set-Ref. 358.  
● Included in Carburetor Overhaul Kit-Ref. 121.

∅ Included in Valve Gasket Set-Ref. 1095.



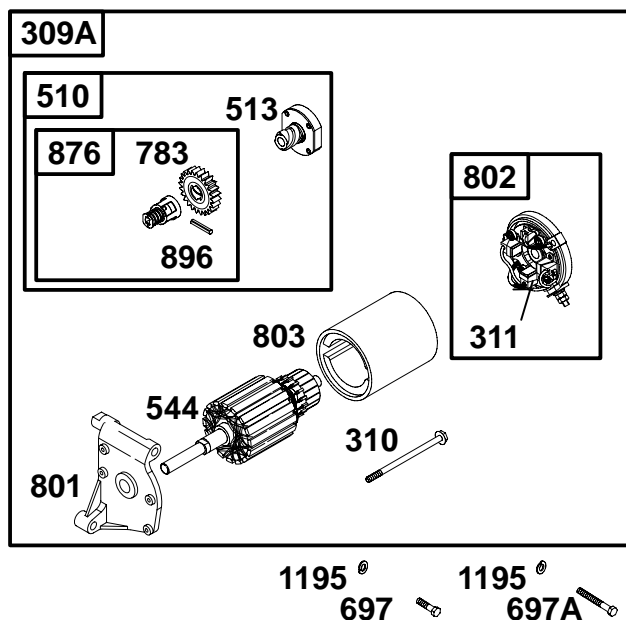


| REF. NO. | PART NO. | DESCRIPTION                           | REF. NO. | PART NO. | DESCRIPTION                 | REF. NO. | PART NO. | DESCRIPTION                     |
|----------|----------|---------------------------------------|----------|----------|-----------------------------|----------|----------|---------------------------------|
| 55       | 691421   | Housing-Rewind Starter                | 65       | 690837   | Screw (Rewind Starter)      | 608      | 497830   | Starter-Rewind                  |
| 58       | 691921   | Rope-Starter (Cut To Required Length) | 456      | 692299   | Plate-Pawl Friction         | 689      | 691855   | Spring-Friction (Ratchet Pawl)  |
| 59       | 396892   | Insert-Grip                           | 459      | 281505   | Pawl-Ratchet                | 1210     | 498144   | Pulley/Spring Assembly (Pulley) |
| 60       | 691915   | Grip-Starter Rope                     | 592      | 690800   | Nut (Rewind Starter)        | 1211     | 498144   | Pulley/Spring Assembly (Spring) |
| 60A      | 393152   | Grip-Starter Rope                     | 597      | 691696   | Screw (Pawl Friction Plate) |          |          |                                 |

★ Included in Engine Gasket Set-Ref. 358.  
 ● Included in Carburetor Overhaul Kit-Ref. 121.

∅ Included in Valve Gasket Set-Ref. 1095.

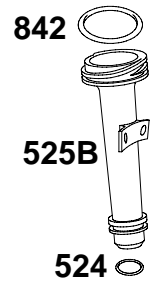
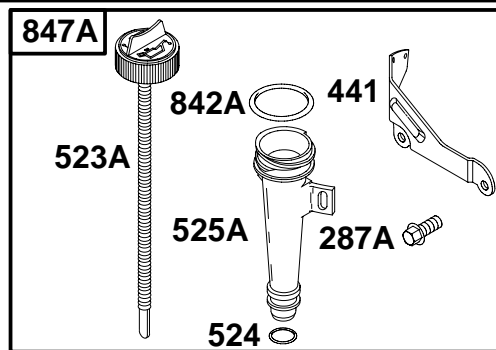
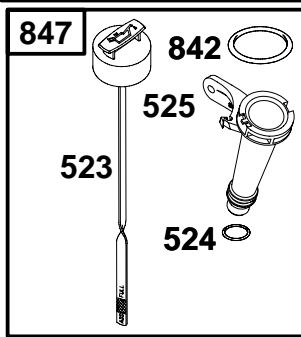
# 136200 to 136299



| REF. NO. | PART NO. | DESCRIPTION              | REF. NO. | PART NO. | DESCRIPTION          | REF. NO. | PART NO. | DESCRIPTION           |
|----------|----------|--------------------------|----------|----------|----------------------|----------|----------|-----------------------|
| 309A     | 690658   | Motor-Starter            | 544      | 692966   | Armature-Starter     | 802      | 395537   | Cap-End               |
| 310      | 690323   | Screw<br>(Motor Starter) | 697      | 693972   | Screw<br>(Drive Cap) | 803      | 398159   | Housing-Starter       |
| 311      | 395538   | Brush Set                | 697A     | 690298   | Screw<br>(Drive Cap) | 876      | 495879   | Kit-Pinion Spring     |
| 510      | 490768   | Drive-Starter            | 783      | 692353   | Gear-Pinion          | 896      | 691641   | Pin-Drive Retainer    |
| 513      | 692024   | Clutch-Drive             | 801      | 690835   | Cap-Drive            | 1195     | 691075   | Washer<br>(Drive Cap) |

★ Included in Engine Gasket Set-Ref. 358.  
● Included in Carburetor Overhaul Kit-Ref. 121.

∅ Included in Valve Gasket Set-Ref. 1095.

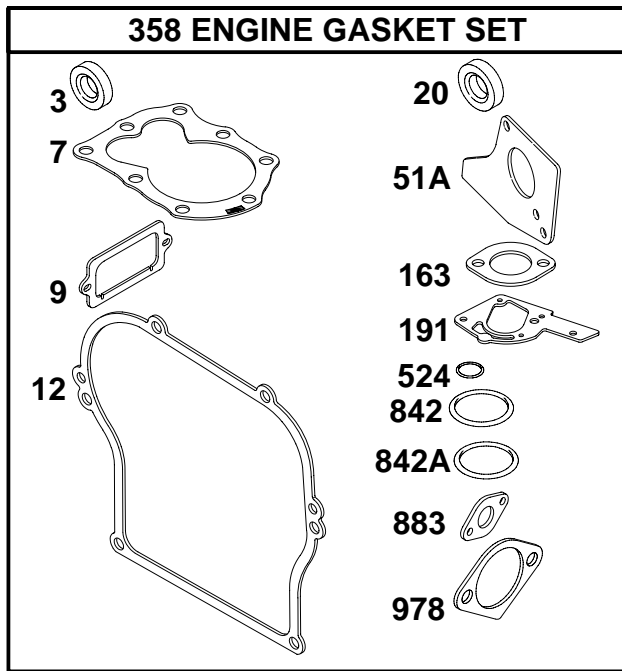


| REF. NO. | PART NO. | DESCRIPTION   | REF. NO. | PART NO. | DESCRIPTION   | REF. NO. | PART NO. | DESCRIPTION  |
|----------|----------|---|----------|----------|---|----------|----------|--|
| 287      | 94807    | Screw<br>(Dipstick)   | 524      | ★691876  | O-Ring Seal<br>(Dipstick Tube)  | 842A     | ★691870  | O-Ring Seal<br>(Used Before Code Date 99031500).                                   |
| 287A     | 691693   | Screw<br>(Dipstick)   | 525      | 694379   | Tube-Dipstick<br>(For Flat Wire Dipstick)<br>(Used After Code Date 99031400). | 847      | 694381   | Dipstick/Tube<br>Assembly<br>(Without Bracket)<br>(Used After Code Date 99031400). |
| 441      | 690448   | Bracket-Oil Fill  | 525A     | 694531   | Tube-Dipstick<br>(For Spring Dipstick)<br>(Used Before Code Date 99031500).   | 847A     | 691379   | Dipstick/Tube<br>Assembly<br>(With Bracket)<br>(Used Before Code Date 99031500).   |
| 523      | 495264   | Dipstick<br>(Flat Wire)<br>(Used After Code Date 99031400).                           | 525B     | 690587   | Tube-Dipstick<br>Used on Type No(s).<br>0018, 1018.                           |          |          |  |
| 523A     | 691388   | Dipstick<br>(Spring)<br>(Used Before Code Date 99031500).                             | 842      | ★691031  | O-Ring Seal<br>(Used After Code Date 99031400).                               |          |          |  |
|          |          | <b>Note</b><br>690777 Dipstick<br>(Long Spring)<br>Used on Type No(s).<br>0018, 1018. |          |          |   |          |          |  |

★ Included in Engine Gasket Set-Ref. 358.  
● Included in Carburetor Overhaul Kit-Ref. 121.

∅ Included in Valve Gasket Set-Ref. 1095.

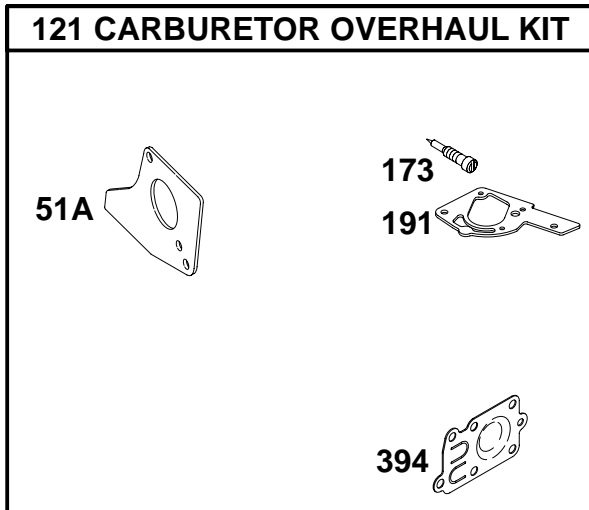
# 136200 to 136299



| REF. NO. | PART NO. | DESCRIPTION   | REF. NO. | PART NO. | DESCRIPTION   | REF. NO. | PART NO. | DESCRIPTION   |
|----------|----------|---|----------|----------|---|----------|----------|---|
| 3        | ★299819  | Seal–Oil<br>(Magneto Side)  | 12       | ★692213  | Gasket–Crankcase<br>(.015", Standard)   | 191      | ★692241  | Gasket–Fuel Tank                                    |
| 7        | ★272157  | Gasket–Cylinder Head  | 20       | ★495307  | Seal–Oil<br>(PTO Side)  | 358      | 495603   | Gasket Set–Engine                                   |
| 9        | ★27549   | Gasket–Breather   | 51A      | ★273113  | Gasket–Intake   | 524      | ★691876  | Seal–O–Ring<br>(Dipstick Tube)                      |
|          |          | <b>Note</b><br>★294606 Seal–Oil<br>(Magneto Side)<br>Used on Type No(s).<br>0122, 0129, 0133,<br>0143, 0144, 1143,<br>1144. | 163      | ★271935  | Gasket–Air Cleaner  | 842      | ★691031  | Seal–O–Ring<br>(Used After Code Date<br>99031400).  |
|          |          |   |          |          | <b>Note</b><br>★270125 Gasket–<br>Crankcase<br>(.005")<br>★270126 Gasket–<br>Crankcase<br>(.009") | 842A     | ★691870  | Seal–O–Ring<br>(Used Before Code<br>Date 99031500). |
|          |          |   |          |          |   | 883      | ★692237  | Gasket–Exhaust                                      |
|          |          |   |          |          |   | 978      | ★273326  | Gasket–Oil Gard®                                    |

★ Included in Engine Gasket Set–Ref. 358.  
● Included in Carburetor Overhaul Kit–Ref. 121.

∅ Included in Valve Gasket Set–Ref. 1095.

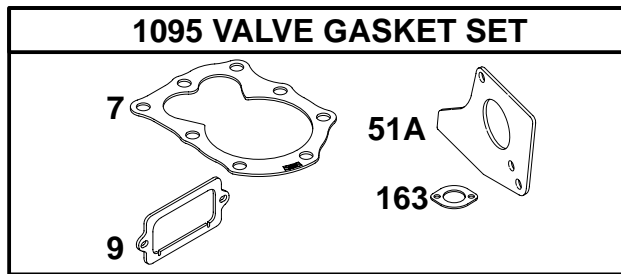


| REF. NO. | PART NO. | DESCRIPTION             | REF. NO. | PART NO. | DESCRIPTION        | REF. NO. | PART NO. | DESCRIPTION          |
|----------|----------|-------------------------|----------|----------|--------------------|----------|----------|----------------------|
| 51A      | 273113   | Gasket-Intake           | 173      | 691777   | Valve-Idle Mixture | 191      | 692241   | Gasket-Fuel Tank     |
| 121      | 495606   | Kit-Carburetor Overhaul |          |          |                    | 394      | 272538   | Diaphragm-Carburetor |

★ Included in Engine Gasket Set-Ref. 358.  
● Included in Carburetor Overhaul Kit-Ref. 121.

∅ Included in Valve Gasket Set-Ref. 1095.

# 136200 to 136299



| REF. NO. | PART NO. | DESCRIPTION          | REF. NO. | PART NO. | DESCRIPTION        | REF. NO. | PART NO. | DESCRIPTION      |
|----------|----------|----------------------|----------|----------|--------------------|----------|----------|------------------|
| 7        | ★272157  | Gasket-Cylinder Head | 51A      | ●★273113 | Gasket-Intake      | 1095     | 498529   | Gasket Set-Valve |
| 9        | ★27549   | Gasket-Breather      | 163      | ★271935  | Gasket-Air Cleaner |          |          |                  |

★ Included in Engine Gasket Set-Ref. 358.  
 ● Included in Carburetor Overhaul Kit-Ref. 121.

∅ Included in Valve Gasket Set-Ref. 1095.